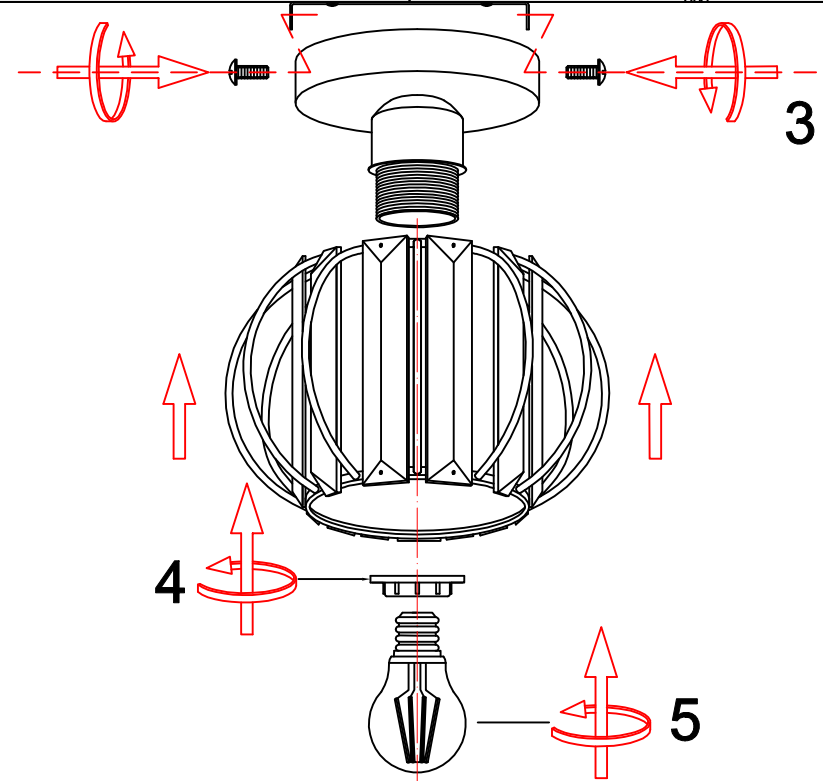
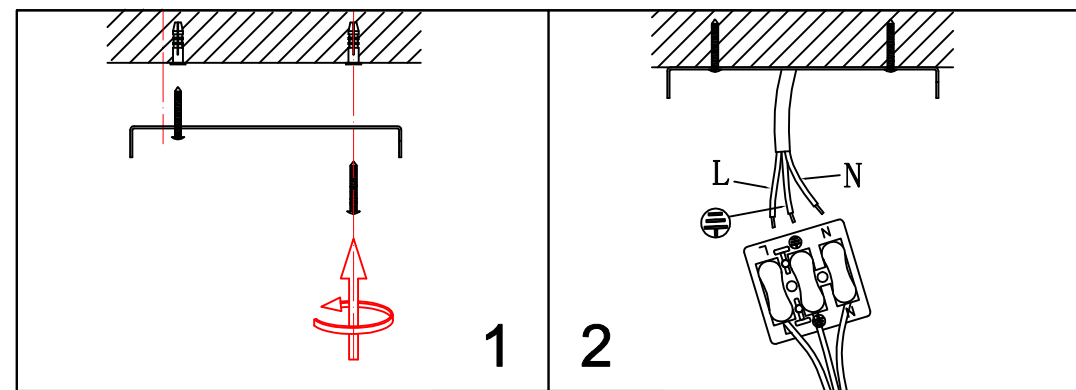
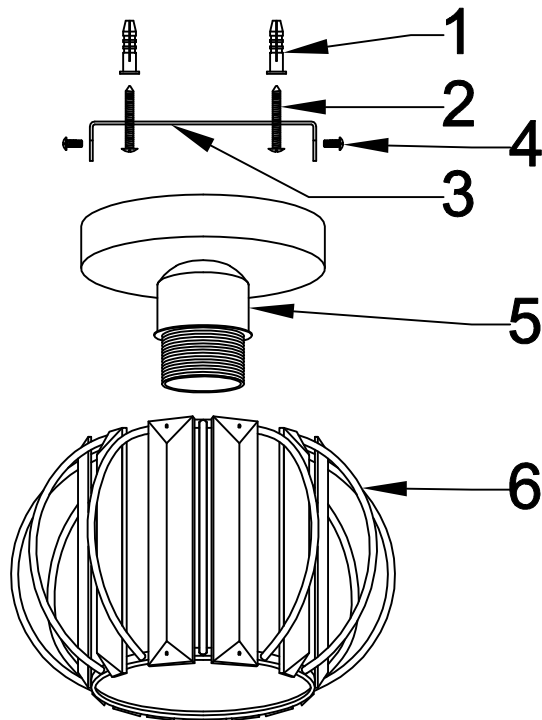


ASSEMBLY DRAWING & PARTS LIST-WITH LIGHT

Important:

- All installation work should be done by accredited professional.
- Rated Voltage:AC220-240V 50Hz, using a power supply beyond the specified will cause damage to the lamp.
- Please cut off the power before installation, and connect the wires according to the correct polarity
- Please do not use chemical solvents to wipe the lamp body.It is recommended to wipe the surface of the lamp body with a cotton cloth dampened with a small amount of water
- It can only be used indoors

	Part name	Qty
1	Colloidal particles	2
2	Self tapping screw	2
3	hanging board	1
4	M4×12 screws	2
5	Lamp body	1
6	Crystal lampshade	1



Installation steps:

- Fix the hanging plate to the ceiling.
- Connect it to the main wire safely according to the positive and negative poles.
- Push the lamp body up to the ceiling and fix the M4×12 screws on the side.
- Fix the crystal lampshade onto the lamp holder with the E27 outer ring.
- Install the E27 light source.