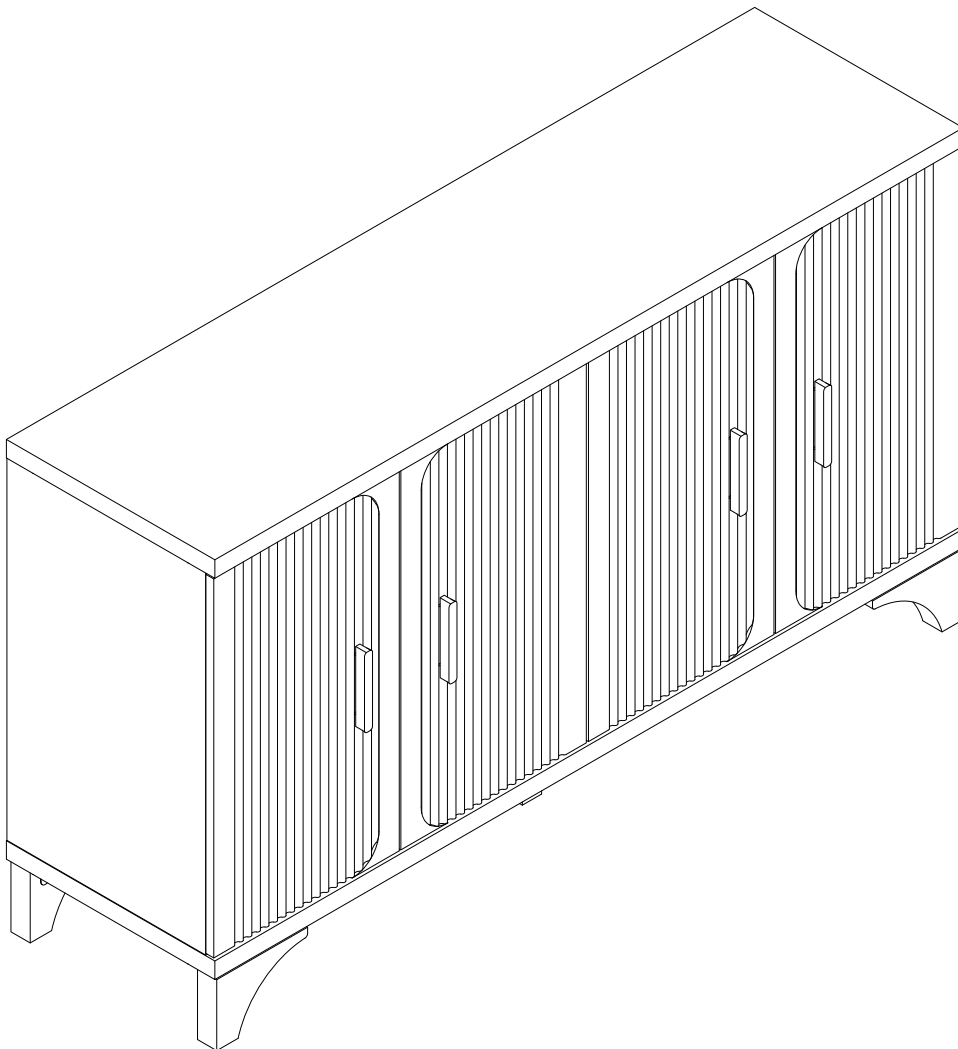


---

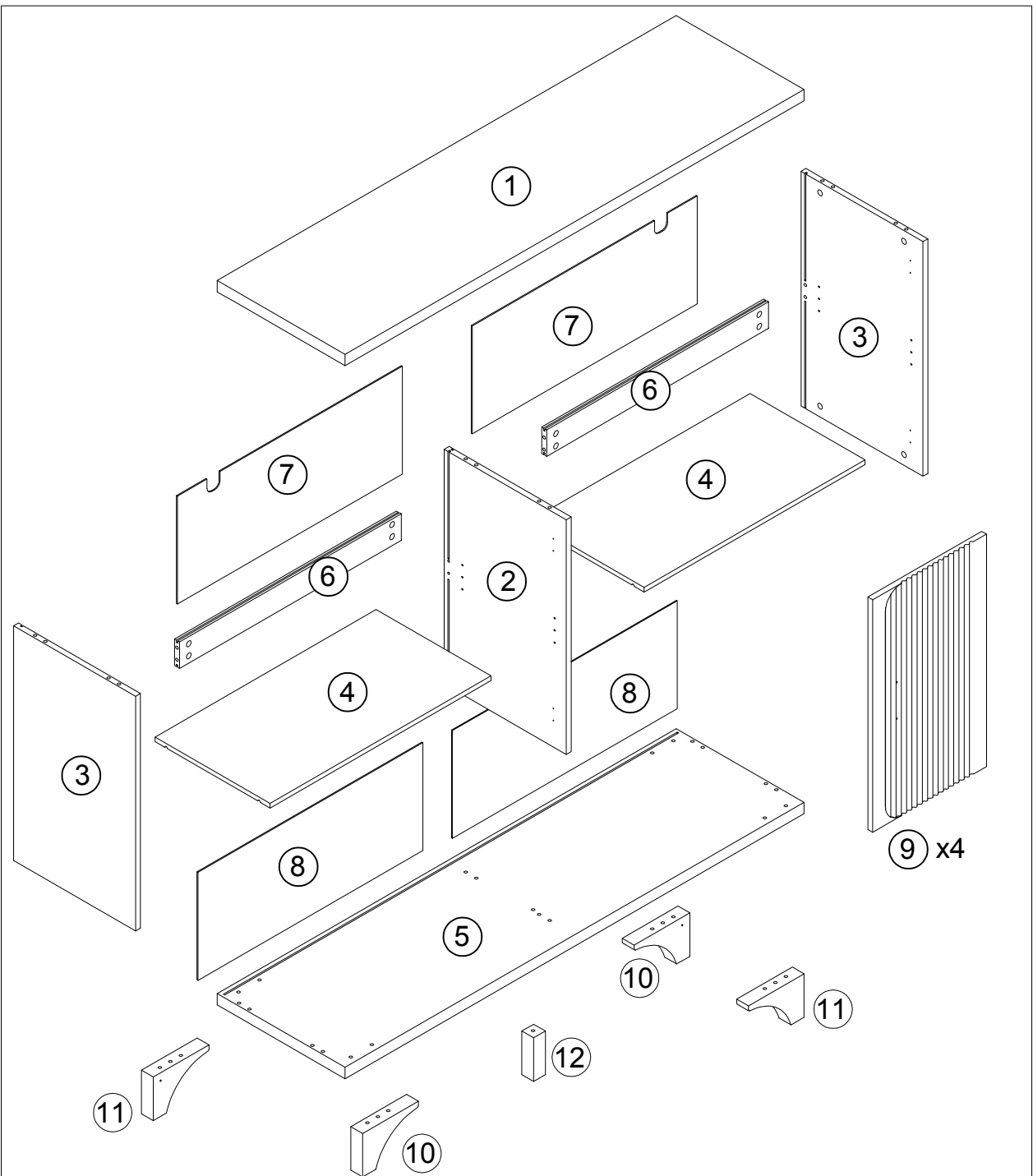
**Instruction Manual**

**Buffet Cabinet**



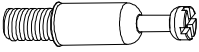


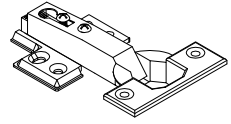
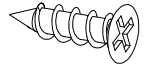
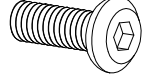

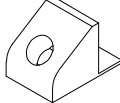
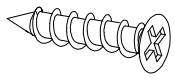
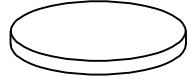

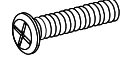
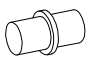
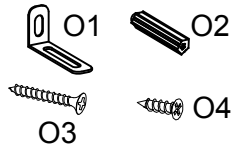
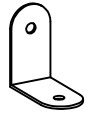
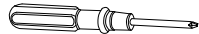


# Parts List



- |       |       |       |       |       |       |
|-------|-------|-------|-------|-------|-------|
| ① x 1 | ② x 1 | ③ x 2 | ④ x 2 | ⑤ x 1 | ⑥ x 2 |
| ⑦ x 2 | ⑧ x 2 | ⑨ x 4 | ⑩ x 2 | ⑪ x 2 | ⑫ x 1 |

# Hardware List

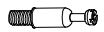
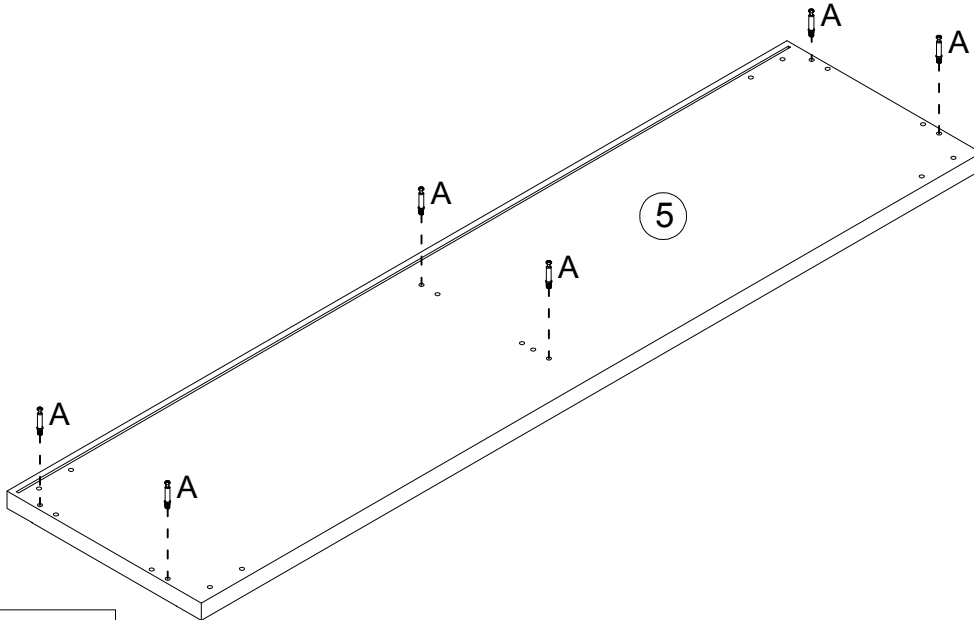
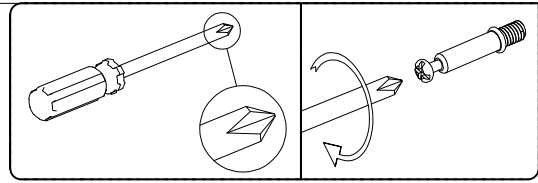
<p><b>A</b></p>  <p>Ø6x32mm 20+2 PCS</p>	<p><b>B</b></p>  <p>Ø15x10mm 20+2 PCS</p>	<p><b>C</b></p>  <p>Ø8x30mm 16+2 PCS</p>	<p><b>D</b></p>  <p>8 PCS</p>
<p><b>E</b></p>  <p>Ø3.5x14mm 56+3 PCS</p>	<p><b>F</b></p>  <p>M6x40mm 9+1 PCS</p>	<p><b>G</b></p>  <p>M4 1 PC</p>	<p><b>H</b></p>  <p>16+1 PCS</p>
<p><b>J</b></p>  <p>Ø3x16mm 16+1 PCS</p>	<p><b>K</b></p>  <p>Ø21x1mm 29+4 PCS</p>	<p><b>L</b></p>  <p>120x24x18mm 4 PCS</p>	<p><b>M</b></p>  <p>M4x20mm 8 PCS</p>
<p><b>N</b></p>  <p>8+1 PCS</p>	<p><b>O</b></p>  <p>2 PCS</p>	<p><b>P</b></p>  <p>4 PCS</p>	<p><b>Q</b></p>  <p>1 PC</p>

## MATTERS NEEDING ATTENTION

1. You need an assistant to complete the installation.
2. Before all parts are in place, do not over-tighten the screw.
3. In order to avoid giving you a bad installation experience, please follow the following steps in the installation instructions, and carefully distinguish between screws and boards.
4. To avoid choking hazards, please keep small parts and packaging materials away from children.
5. Adult assembly is required. Keep away from children during installation.
6. After the installation is completed, you can use cotton cloth to clean the board.
7. If you have any questions, please contact us

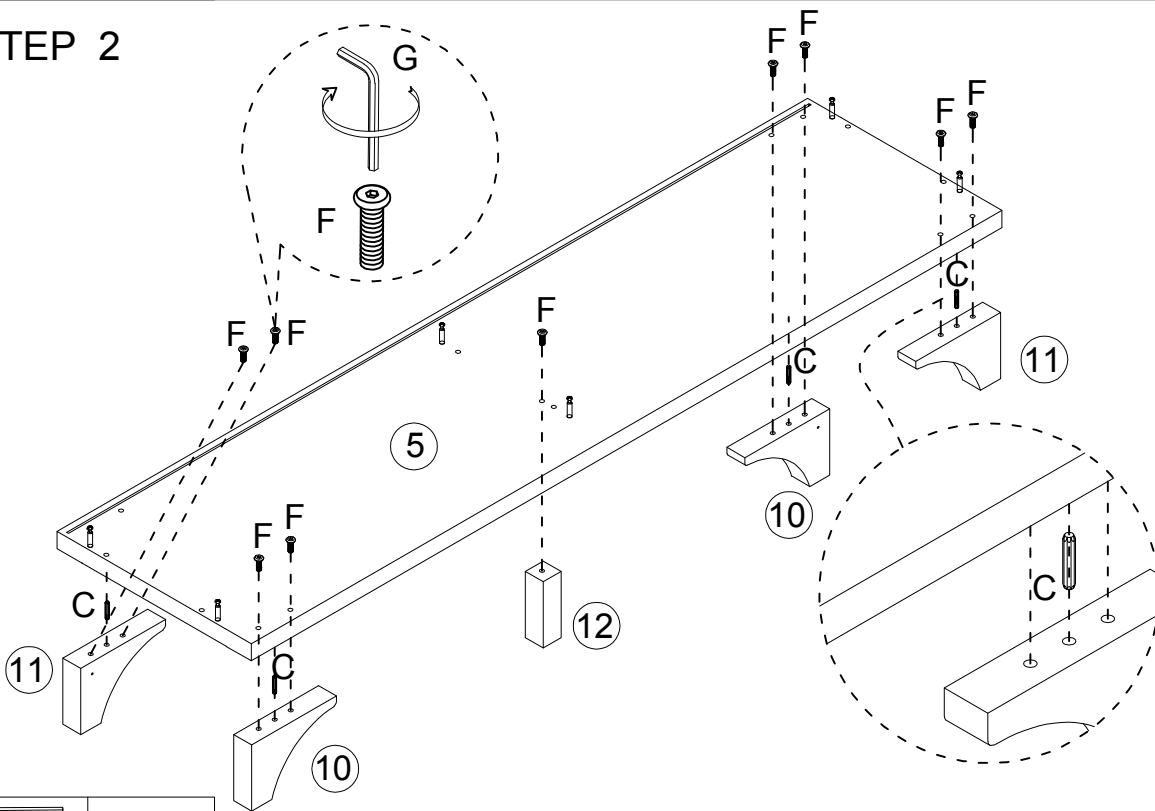
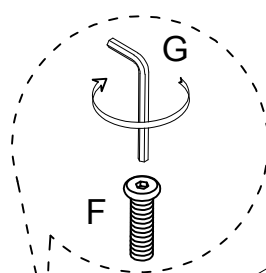
# Assembly Steps

## STEP 1



A x6PCS

## STEP 2



G x1PC



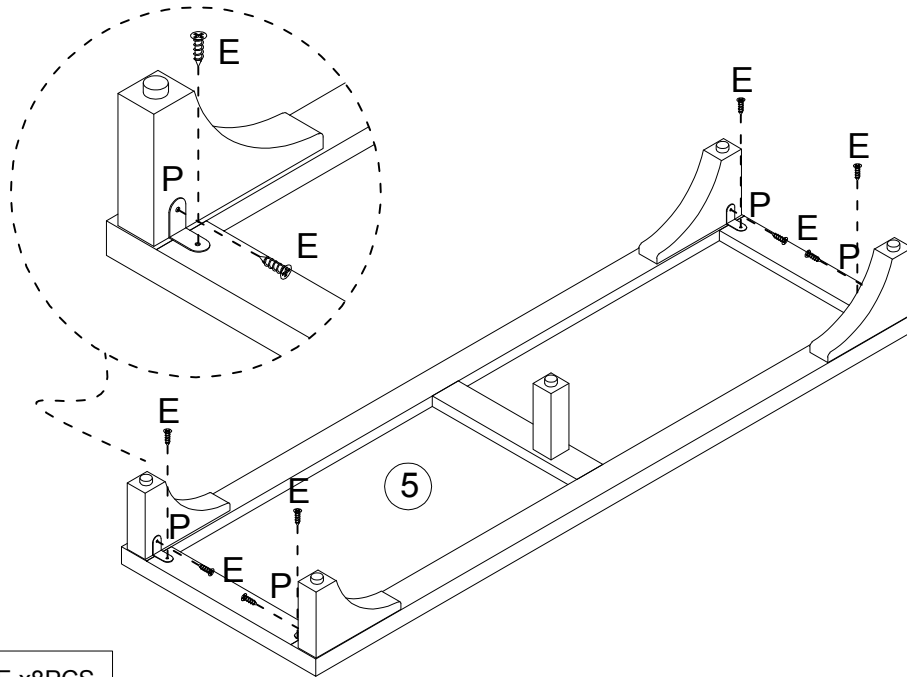
C x4PCS





F x9PCS

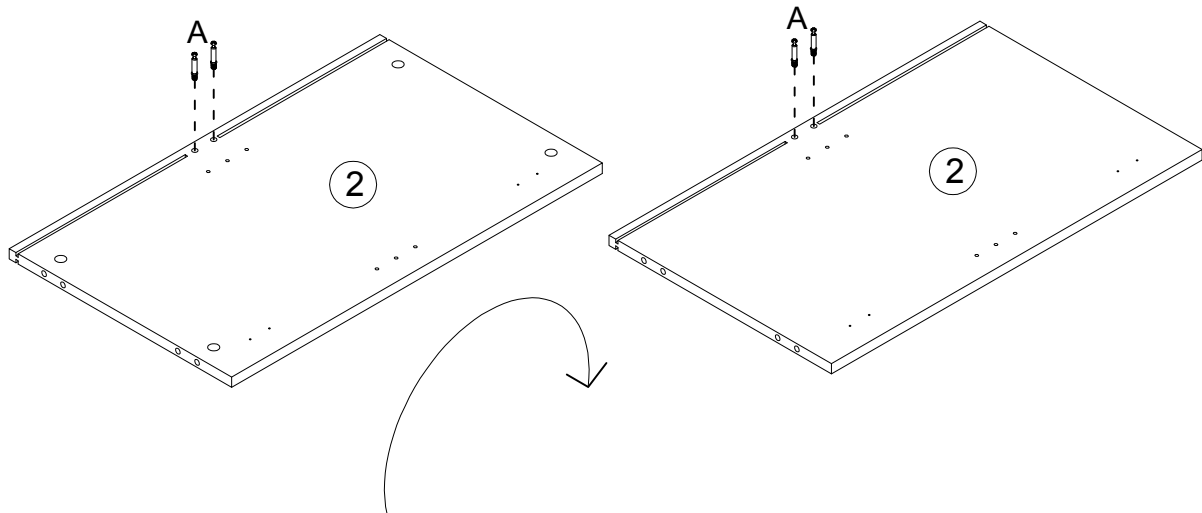
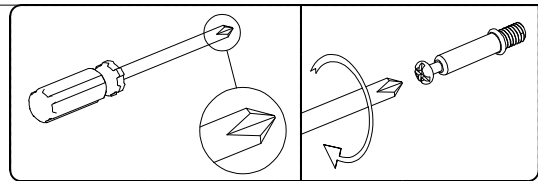
# Assembly Steps

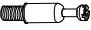
## STEP 3



	E x8PCS
	P x4PCS

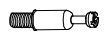
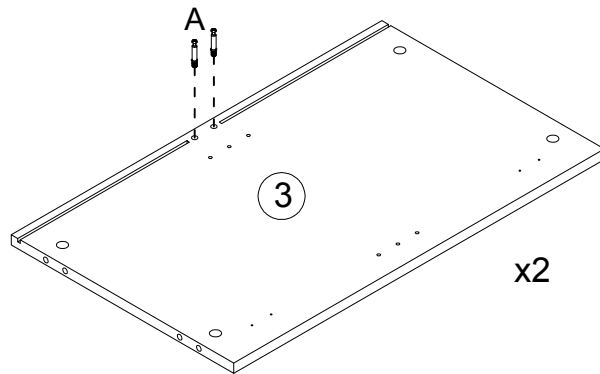
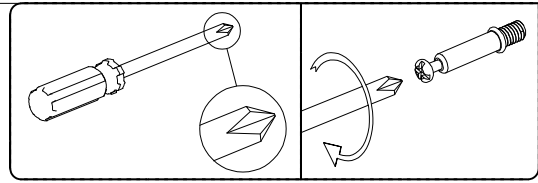
## STEP 4



	A x4PCS
---	---------

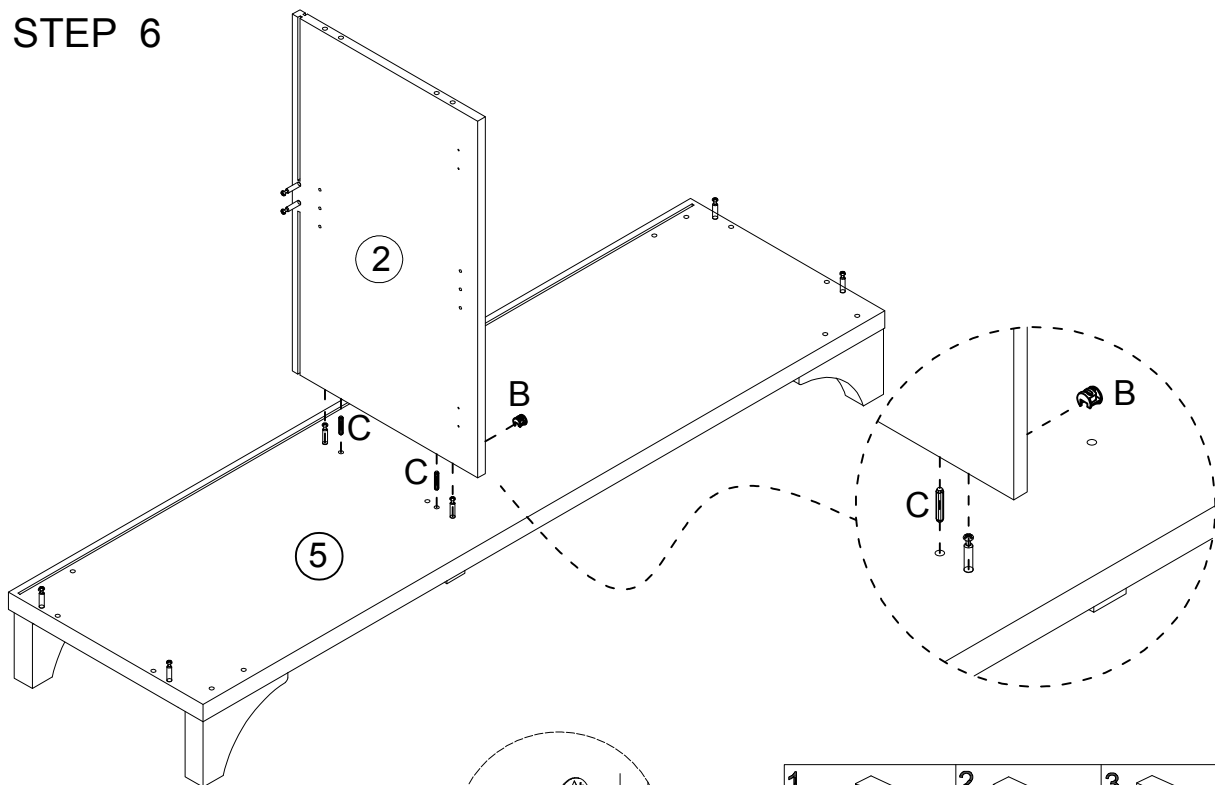
# Assembly Steps

## STEP 5



A x4PCS

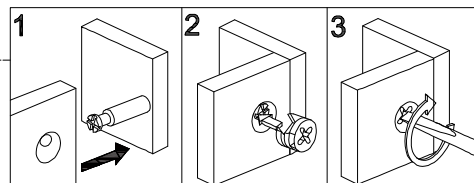
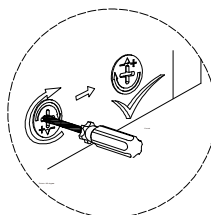
## STEP 6



B x2PCS

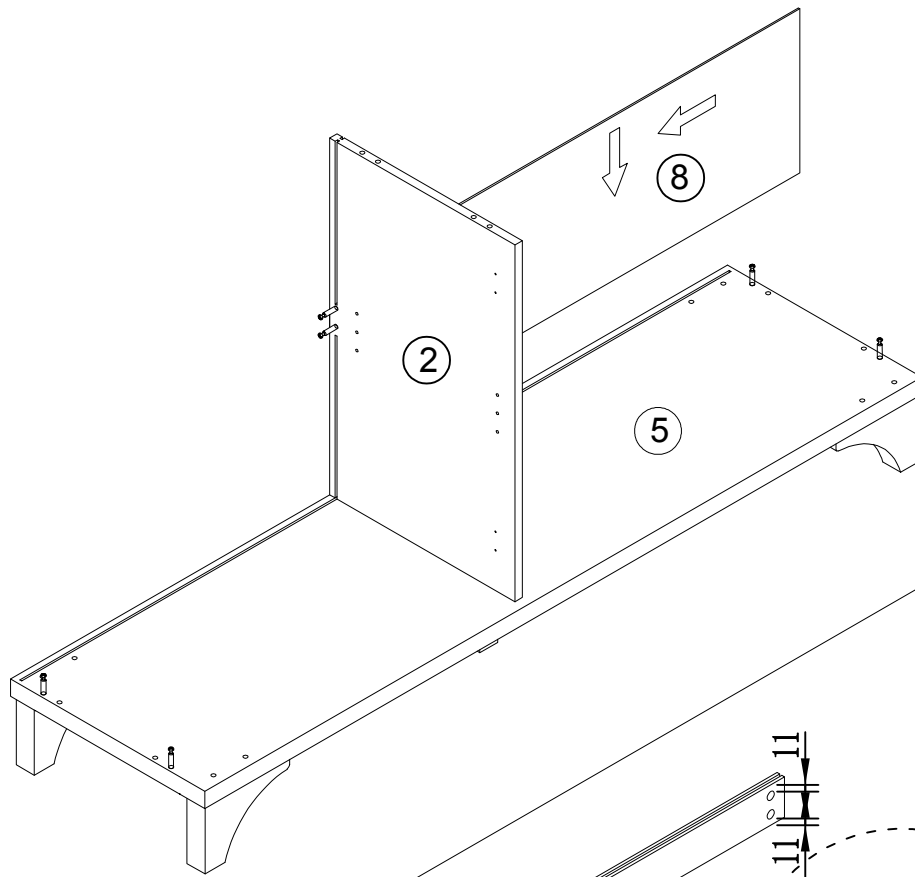


C x2PCS

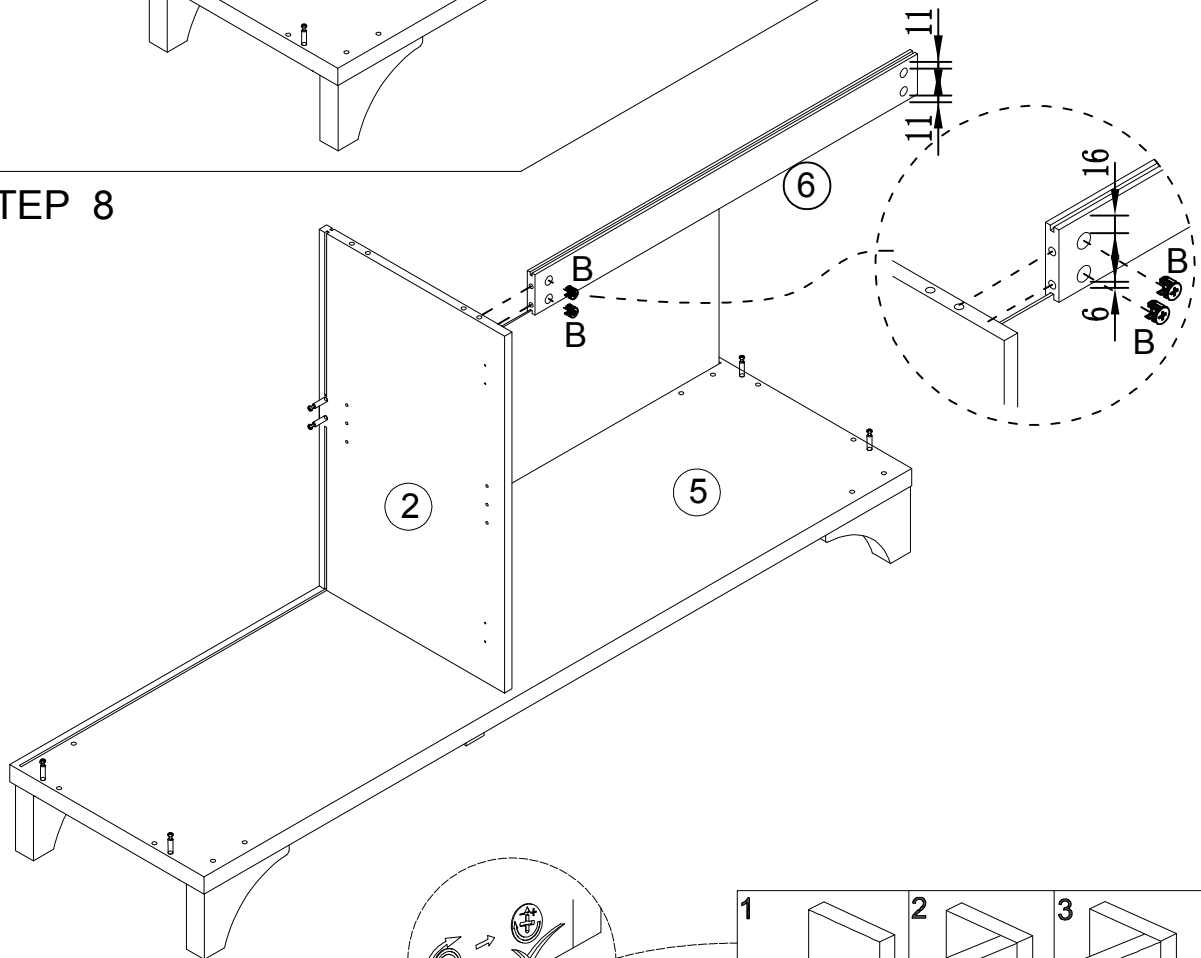


# Assembly Steps

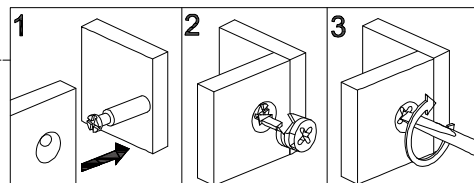
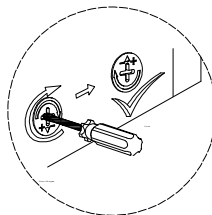
## STEP 7



## STEP 8

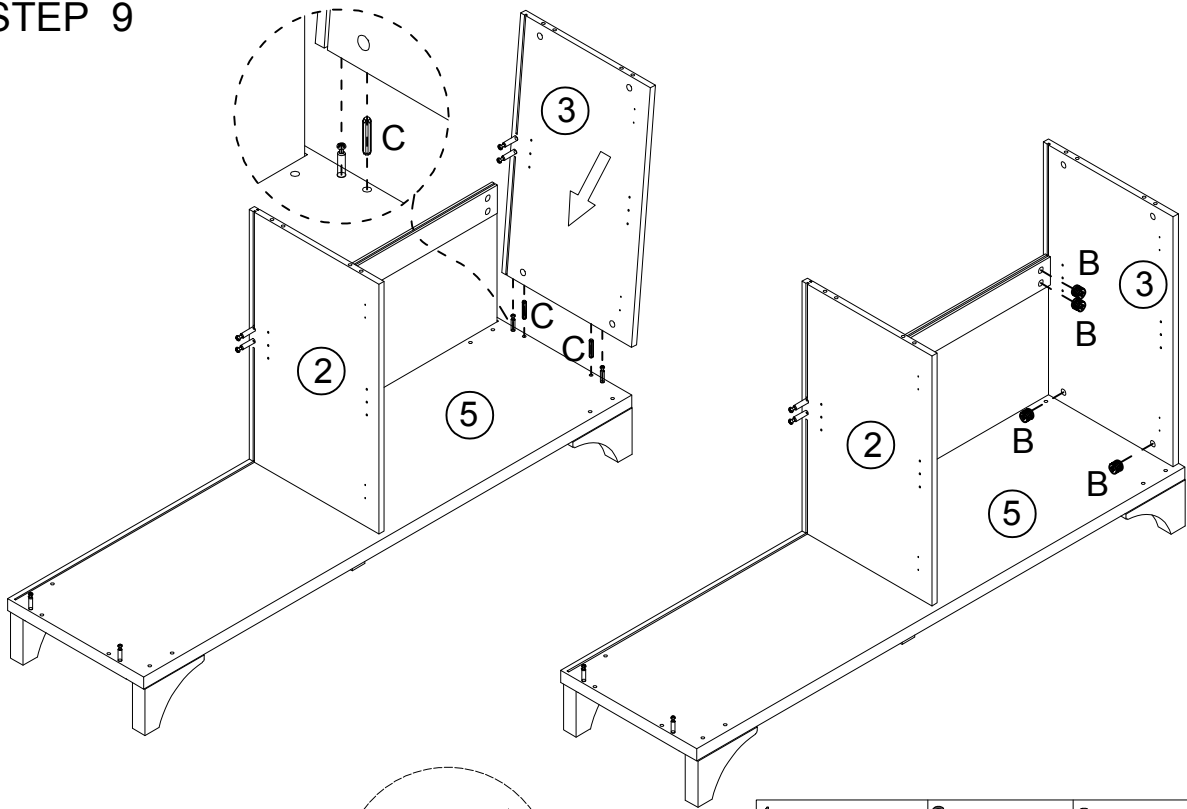




B x2PCS

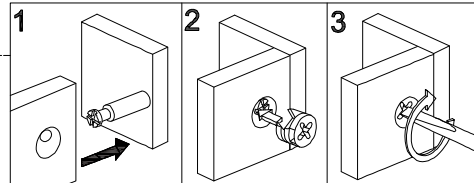
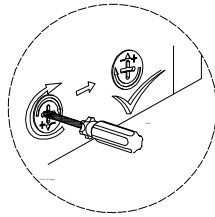


# Assembly Steps

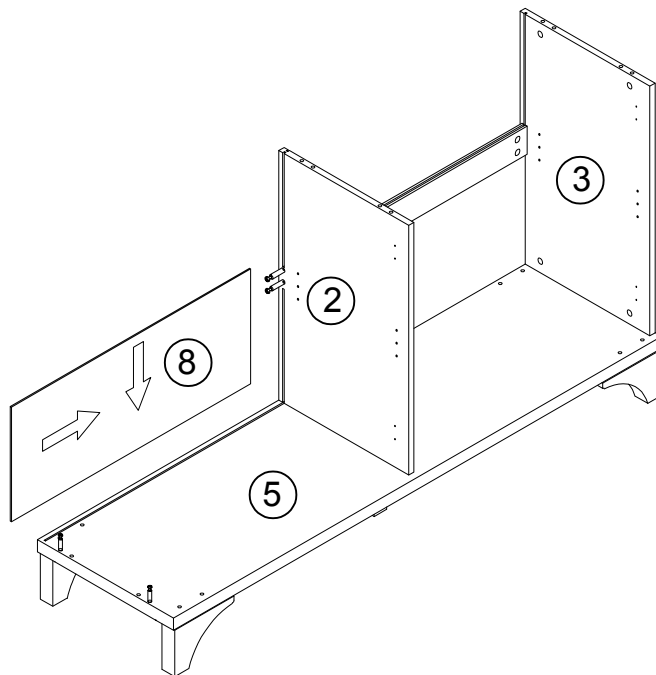
## STEP 9



	B x4PCS
	C x2PCS

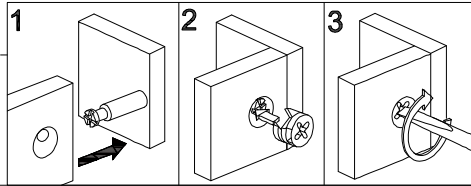
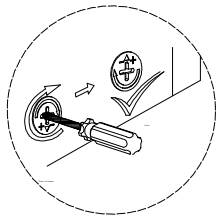
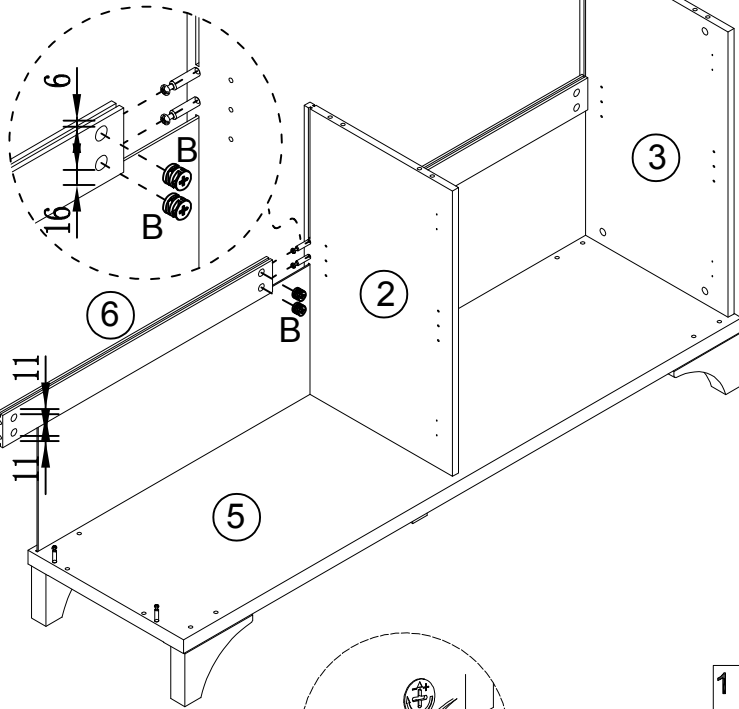


## STEP 10



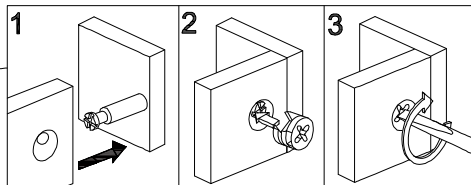
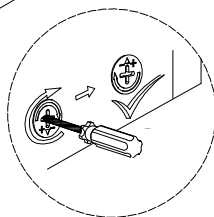
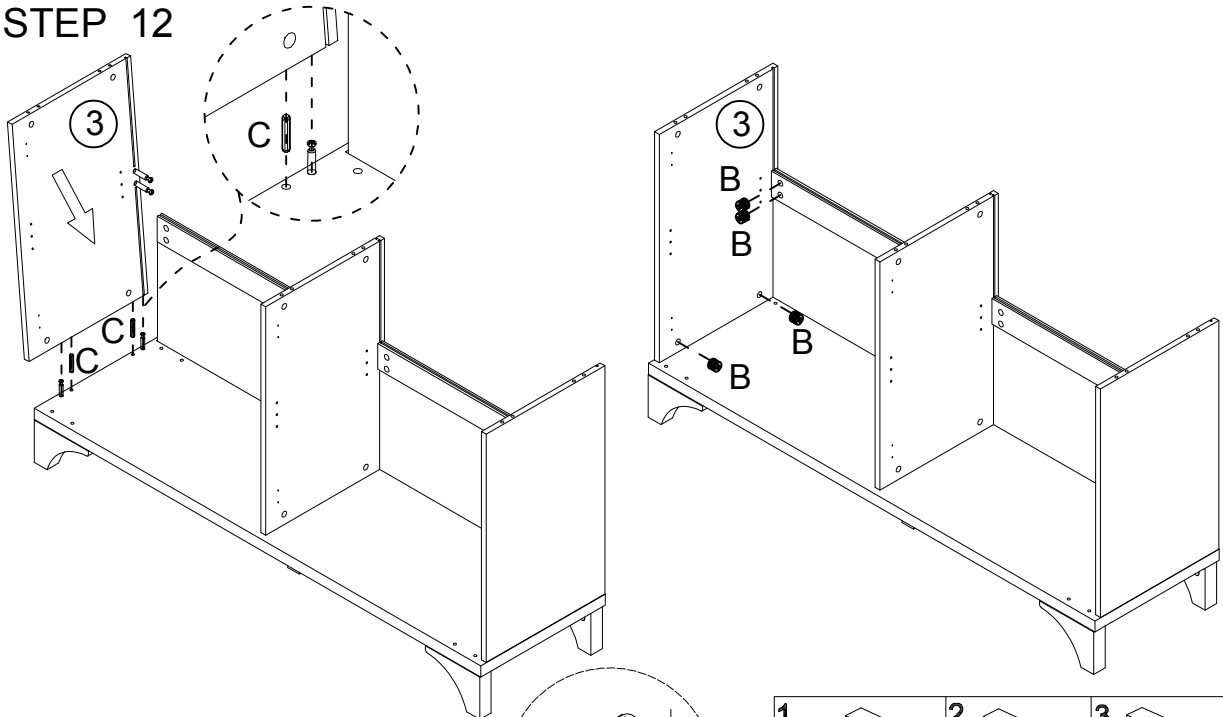
# Assembly Steps

## STEP 11



B x2PCS

## STEP 12



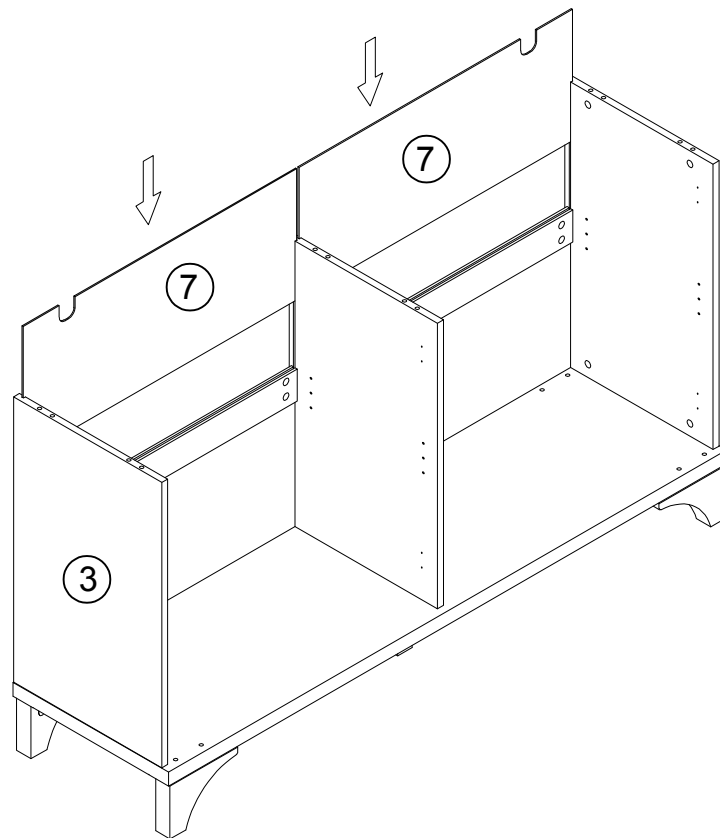
B x4PCS



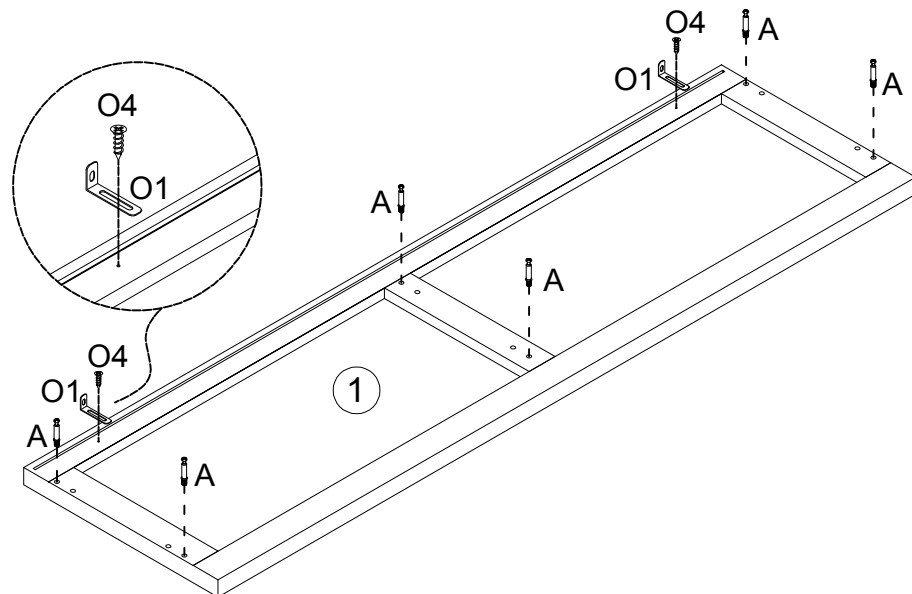
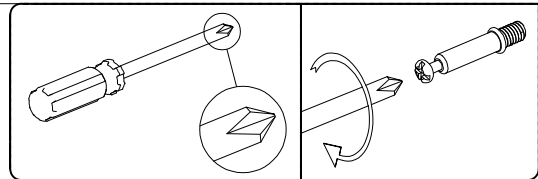
C x2PCS

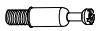


## Assembly Steps

### STEP 13



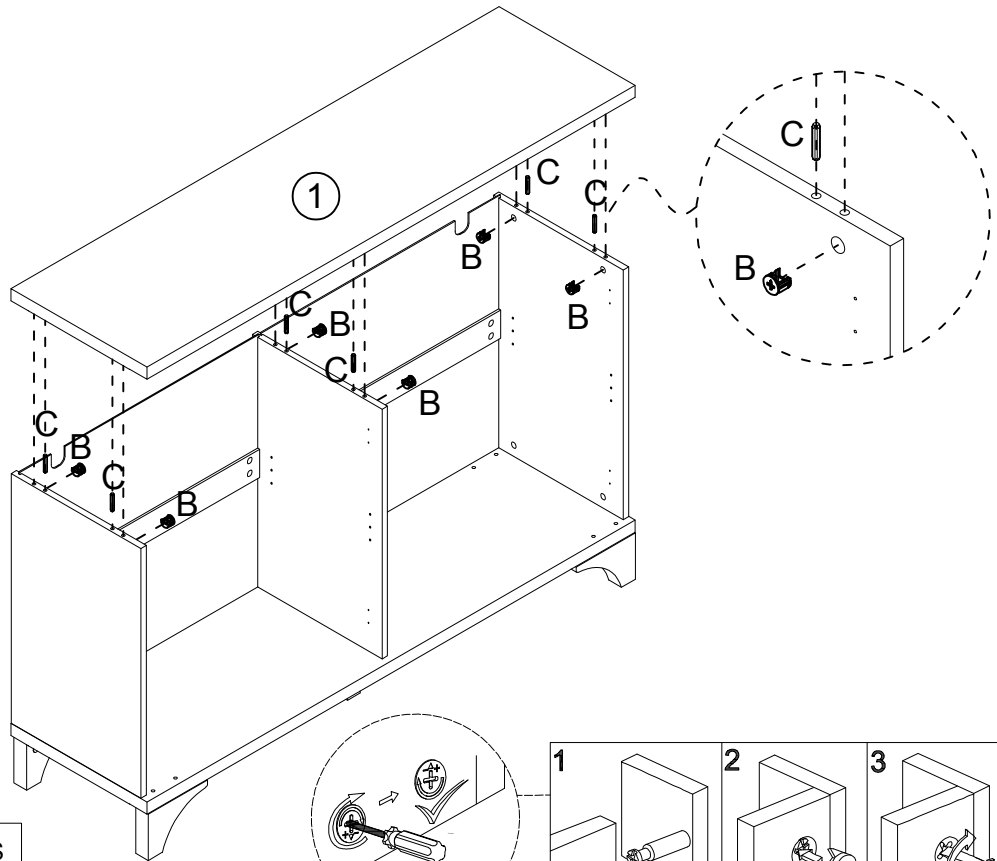
### STEP 14





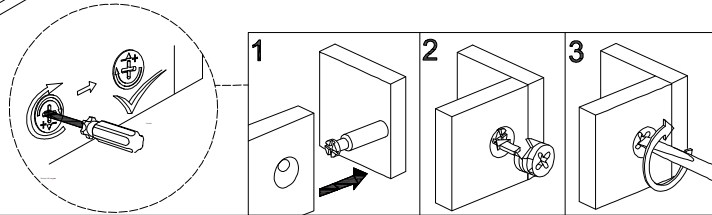
	A x6PCS
	O1 x2PCS
	O4 x2PCS

# Assembly Steps

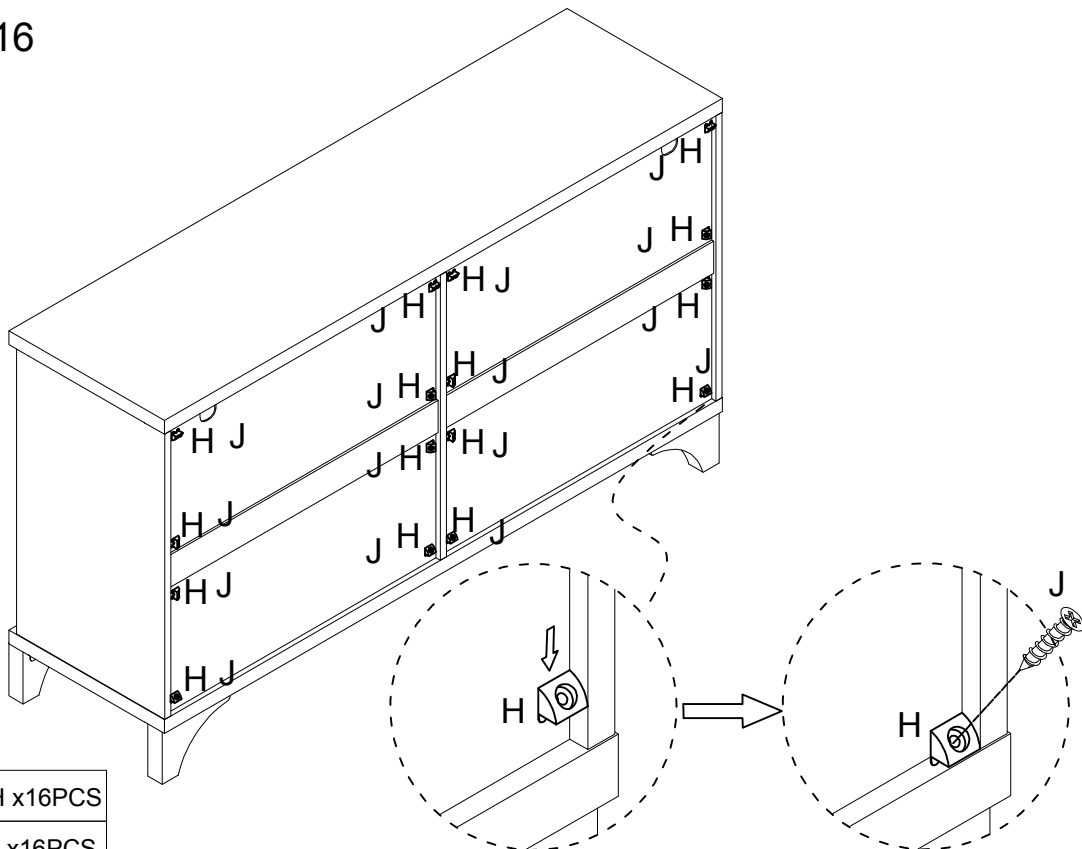
## STEP 15





	B x6PCS
	C x6PCS



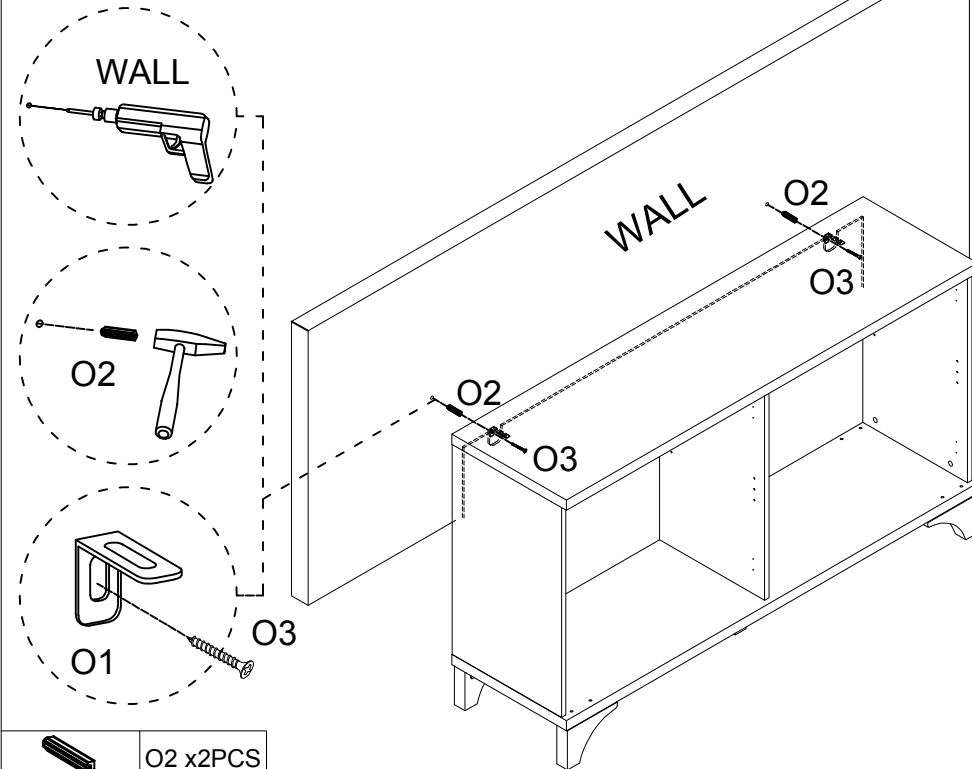
## STEP 16





	H x16PCS
	J x16PCS

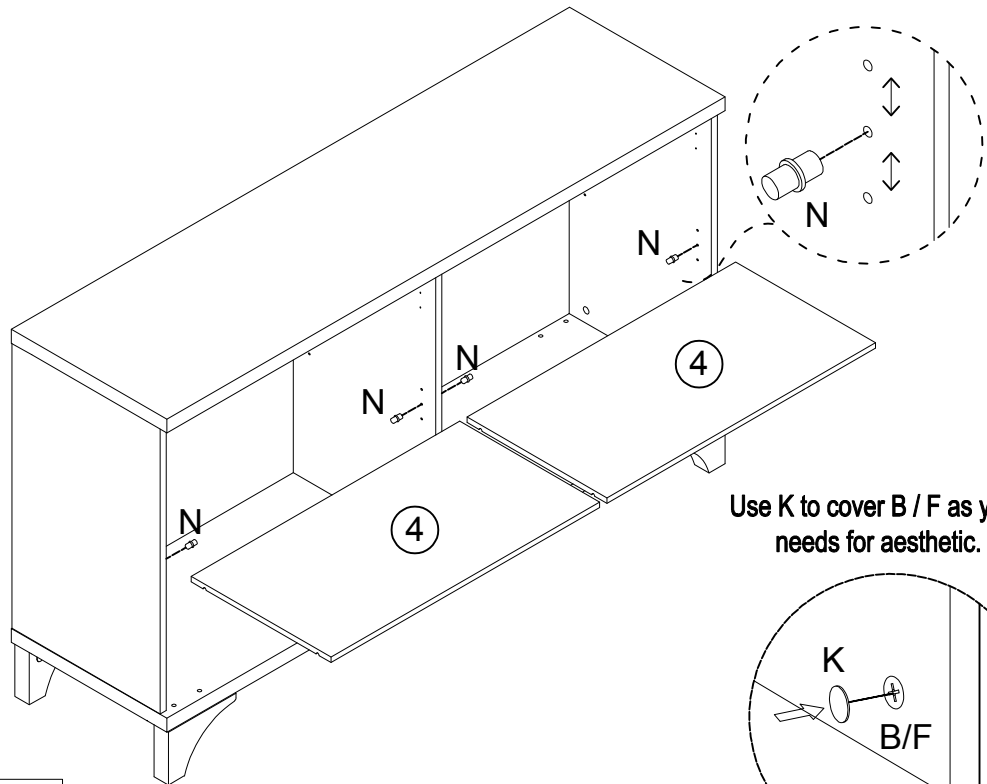
# Assembly Steps

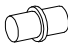

## STEP 17



	O2 x2PCS
	O3 x2PCS

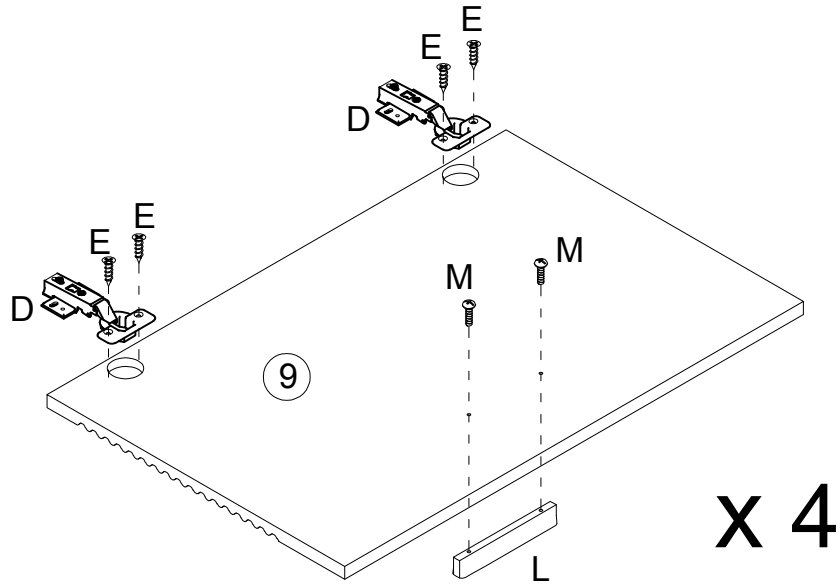
## STEP 18



	N x8PCS
	K x29PCS

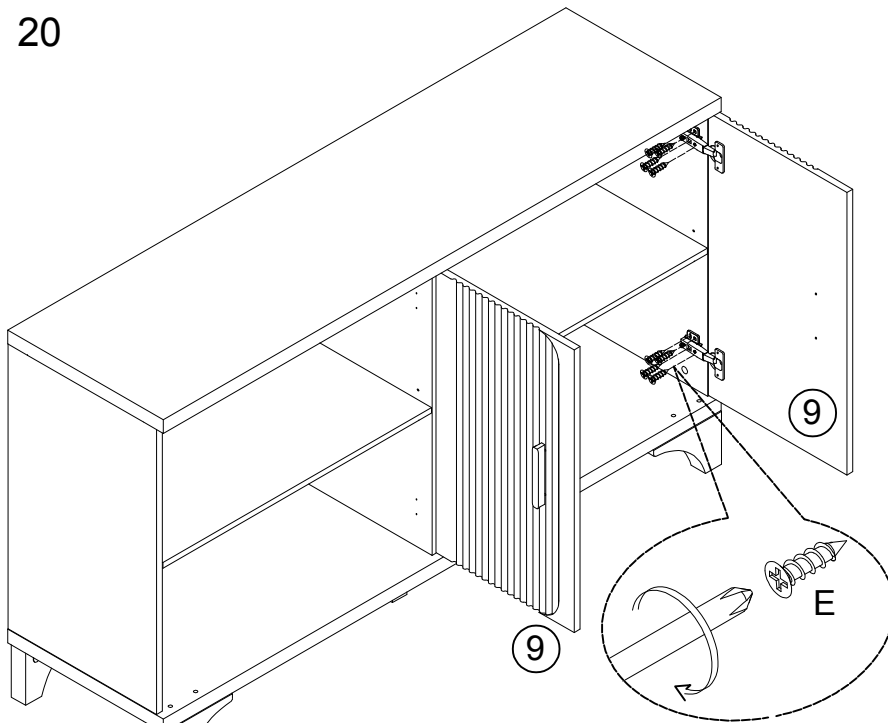
# Assembly Steps

## STEP 19

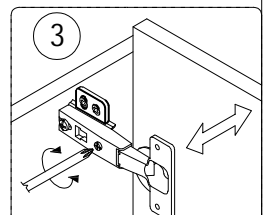
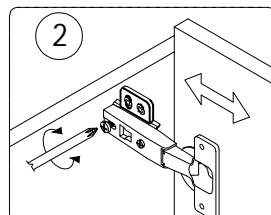
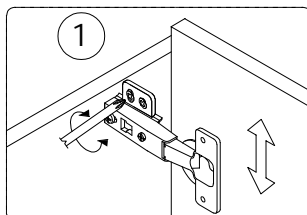


	D x8PCS
	E x16PCS
	L x4PCS
	M x8PCS

## STEP 20



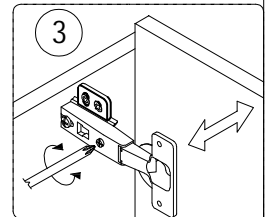
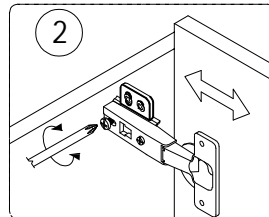
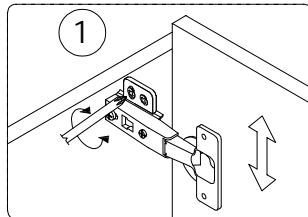
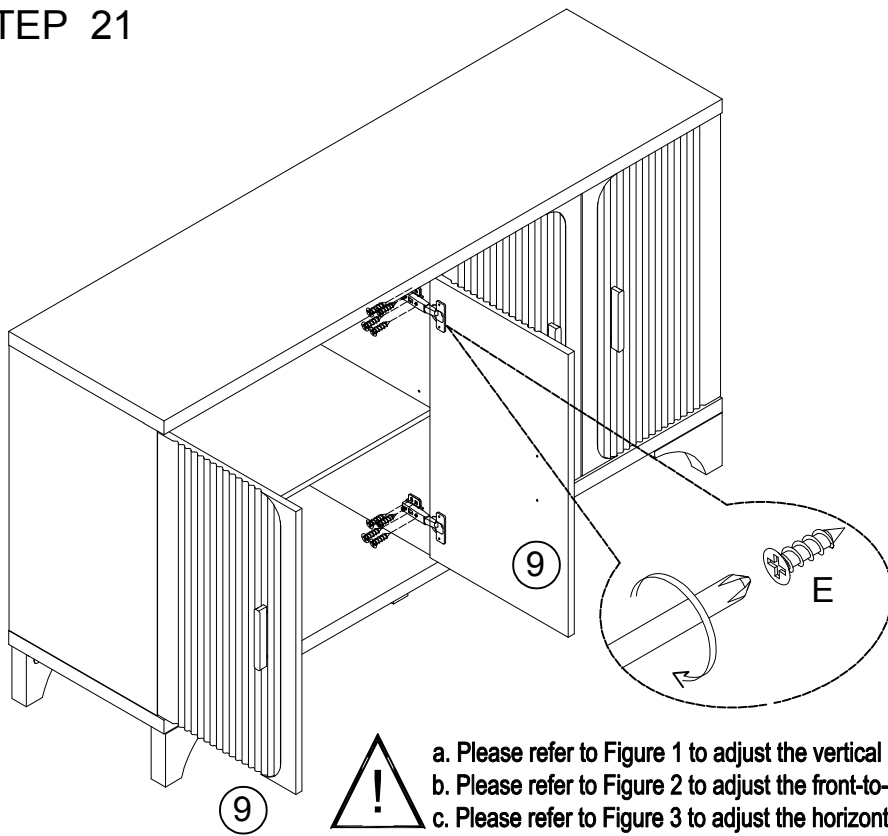
- a. Please refer to Figure 1 to adjust the vertical position of the door panel;
- b. Please refer to Figure 2 to adjust the front-to-back position of the door panel;
- c. Please refer to Figure 3 to adjust the horizontal position of the door panel.



	E x16PCS
--	----------

## Assembly Steps

### STEP 21



E x16PCS

### STEP 22

