







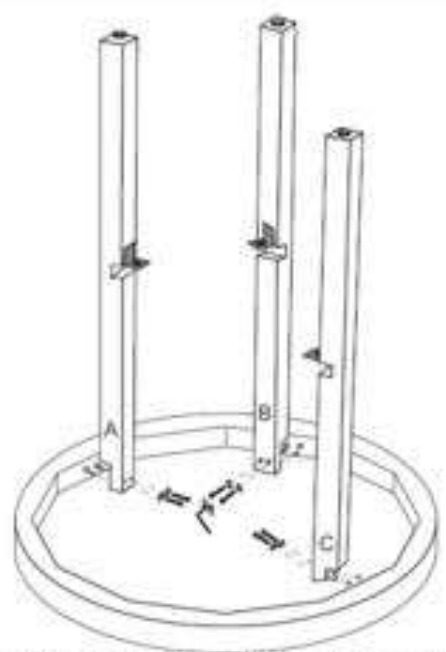


ASSEMBLY INSTRUCTIONS

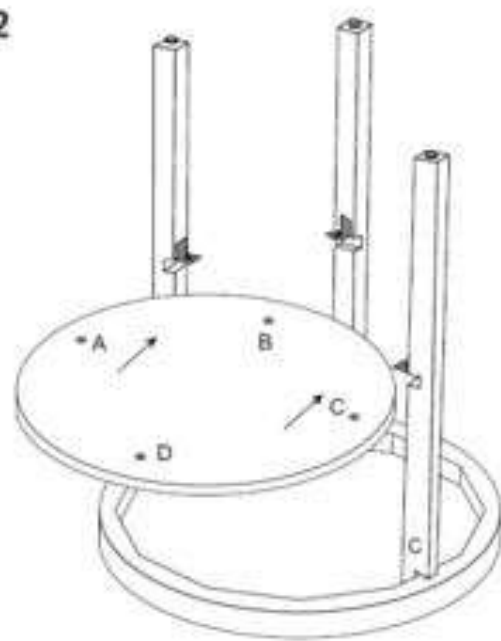
TALCOTT SIDE TABLE ROUND

<p>4+1 EXTRA</p>  <p>SMALL ALLEN SCREWS</p>	<p>x1</p>  <p>ALLEN KEY</p>	<p>x1</p>  <p>WOOD TOP</p>	 <p>A B</p>
<p>8+1 EXTRA</p>  <p>LONG ALLEN SCREWS</p>	<p>8+1 EXTRA</p>  <p>WASHERS</p>	<p>x1</p>  <p>WOOD SHELF</p>	 <p>C D</p> <p>4 PCS WOODEN LEGS</p>



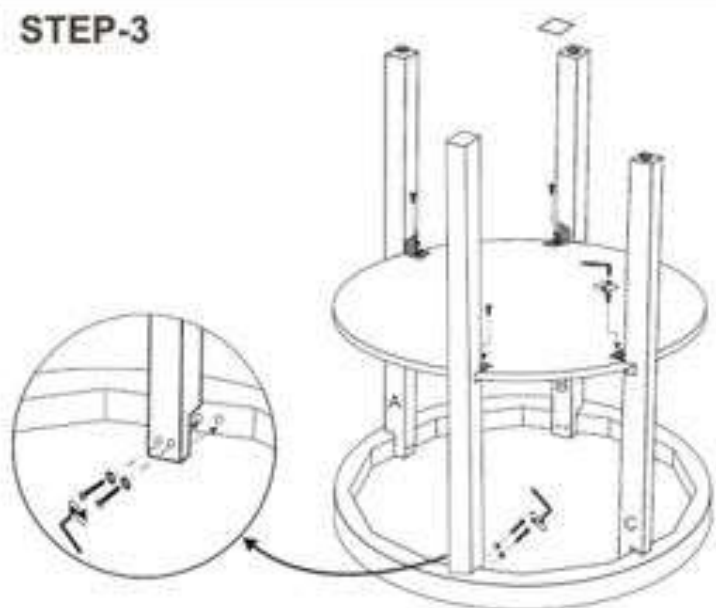
Align 3 legs (A/B/C) as indicated and fix the wood top with help of long Allen screws and washers. Partially tighten the screws to approx 50%.

STEP-2



Insert the wood shelf as shown.

STEP-3



Fix the fourth leg (D) to the wood shelf. Secure the connection with wood top with help long Allen screws and washers (same as done in step 1). Now secure the wood shelf with 4 legs, with help of small Allen screws (no washer required). Ensure all screws are fully tightened.

ASSEMBLED



Flip the table and adjust the Levelers if needed to balance on floor.