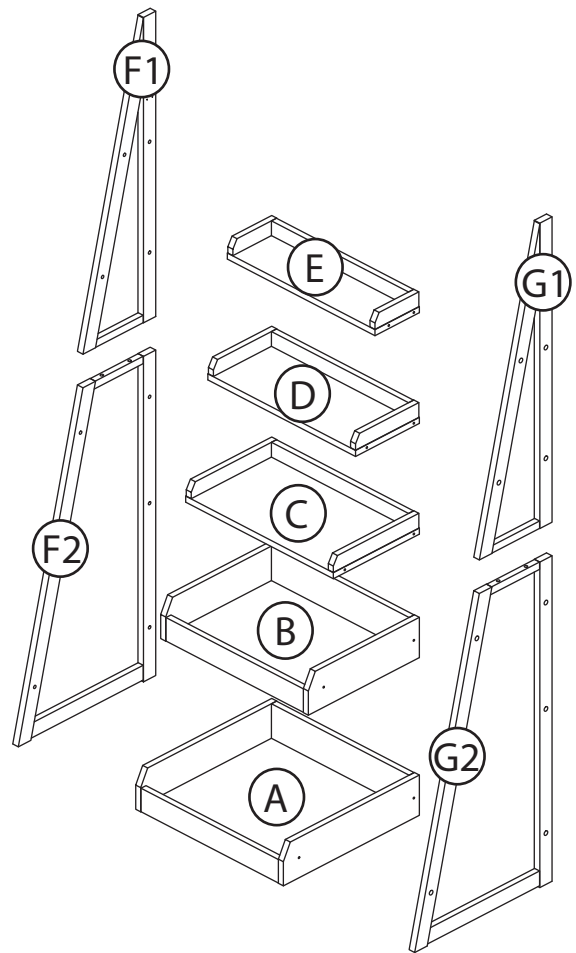
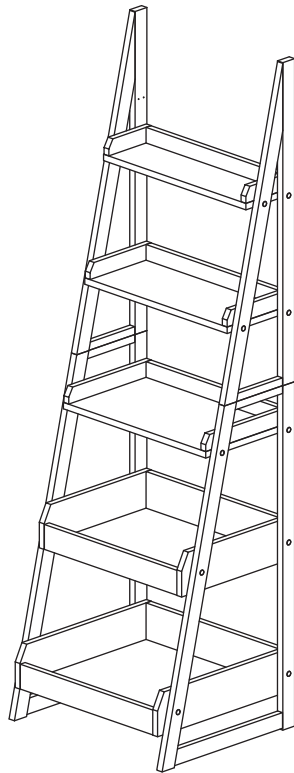






Assembly Instruction Sheet

Ladder Bookcase




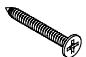
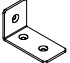
List of Hardware

 x 16	 x 8	 x 20	 x 1
RF10003 JCA 1/4" x 32	RF10202 JCA 1/4" x 22	RF40001 Wood Plug	RF40103 Allen Wrench

List of Parts

NO.	Description	Q'ty
A	Shelf A	1
B	Shelf B	1
C	Shelf C	1
D	Shelf D	1
E	Shelf E	1
F1	Top Panel Left	1
F2	Bottom Left Panel	1
G1	Top Panel Right	1
G2	Bottom Right Panel	1

Anti-Tipping

 x 4	 x 2	 x 2
RF10004 F6 x 5/8"	RF10002 F6 x 1 1/4"	RF50003 L-Bracket

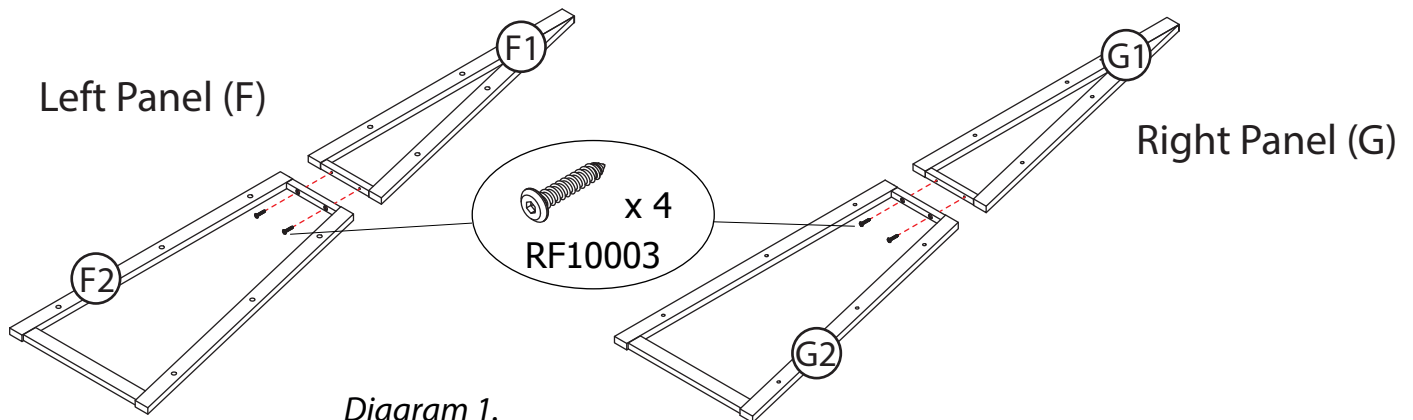


Diagram 1.

Step1:

Connect the Left Panel top to bottom (F1 to F2) and Right Panel top to bottom (G1 to G2) by using screws (RF10003) as per diagram 1.

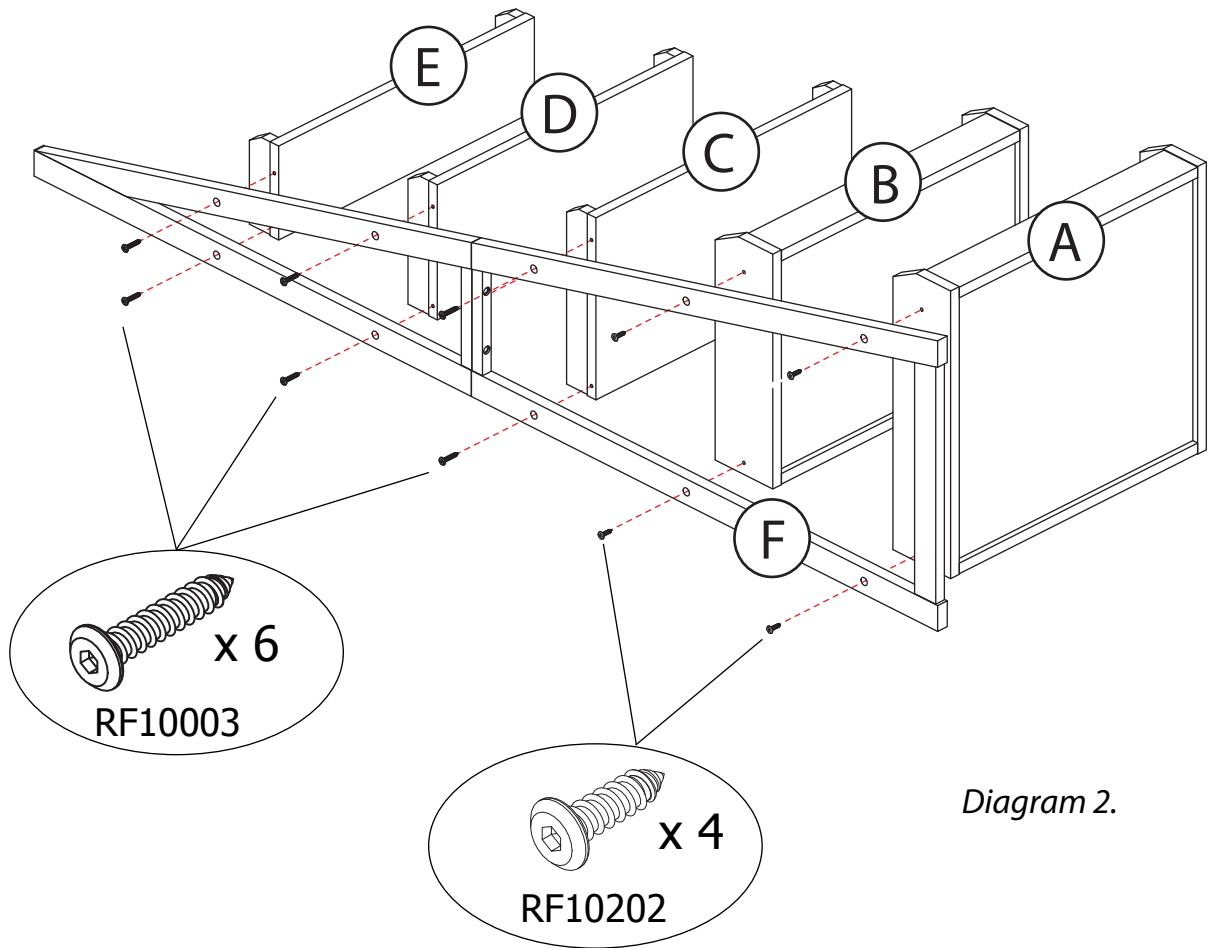


Diagram 2.

Step2:

Attach Left Panel (F) to shelf C, D and E by using screws (RF10003), then A and B by using screws (RF10202) as per diagram 2.

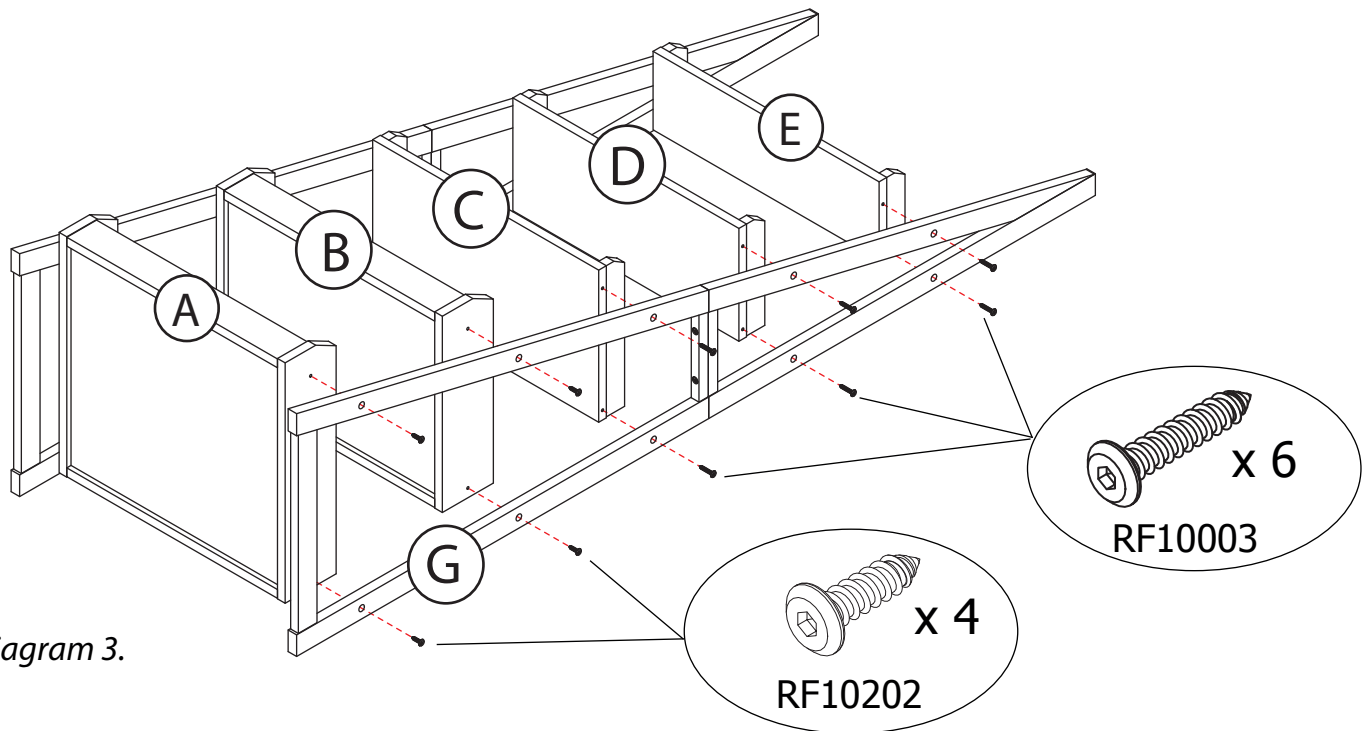


Diagram 3.

Step3:

Follow step 2 to attach Right Panel (G) as per diagram 3.

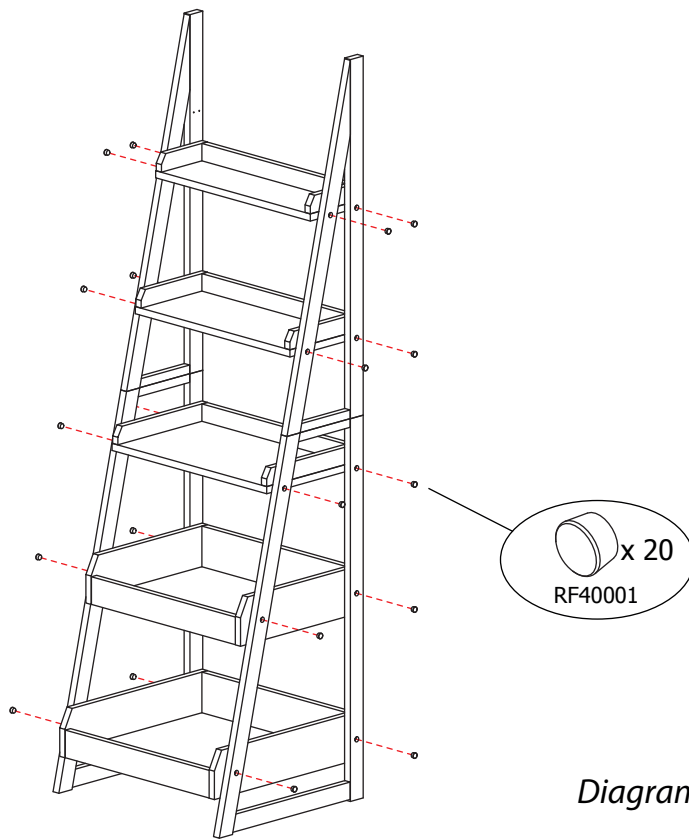


Diagram 4.

Step4:

Cover screw holes using Wood Plugs (WD40001) as per diagram 4.

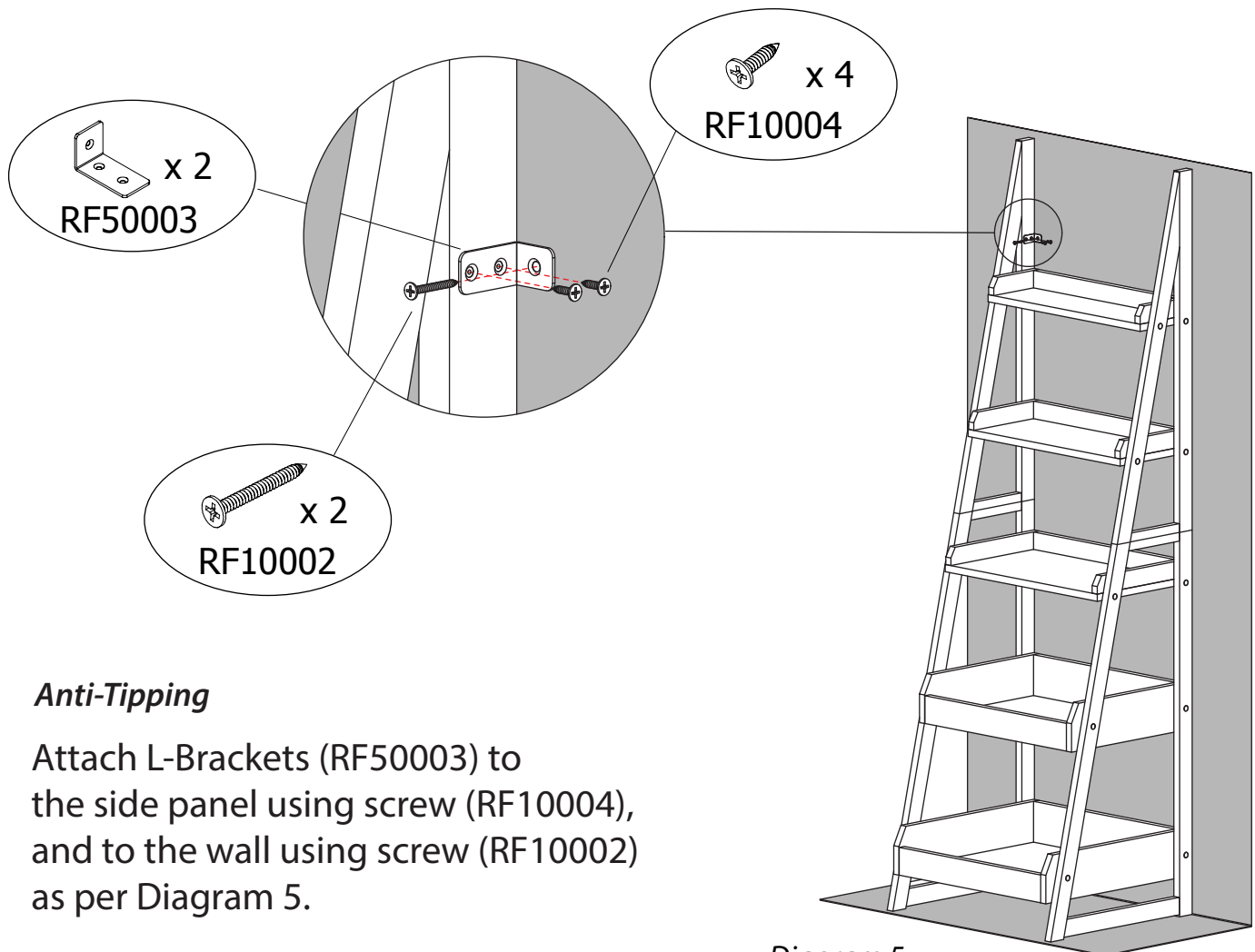


Diagram 5.

Anti-Tipping

Attach L-Brackets (RF50003) to the side panel using screw (RF10004), and to the wall using screw (RF10002) as per Diagram 5.