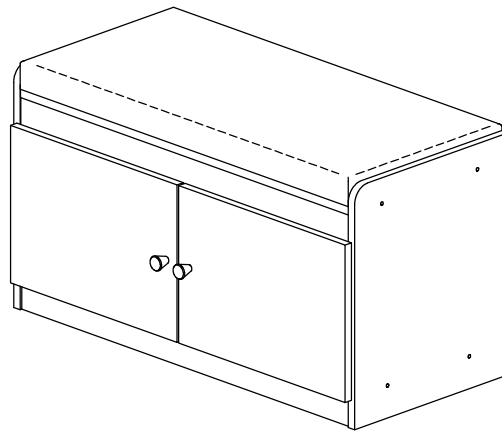
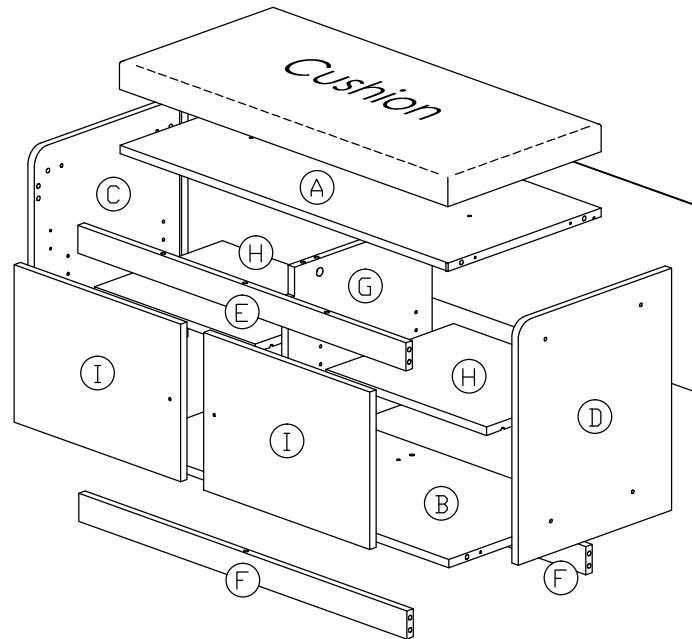


# Assembly Instruction



## Part List



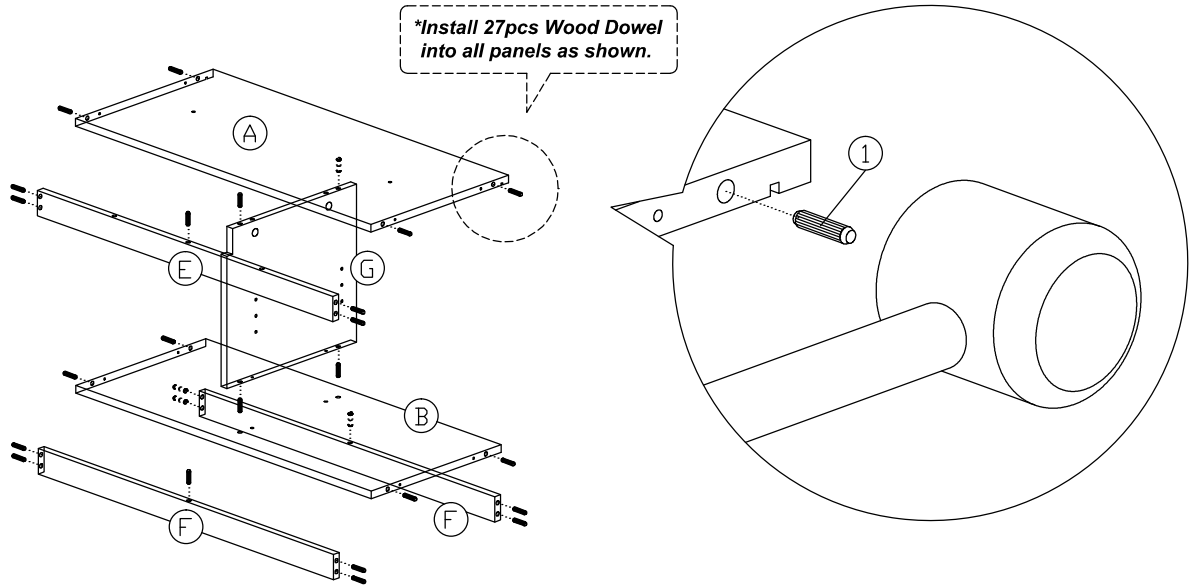
### Hardware List

No.	SHAPE	DESCRIPTION	Qty.
1		<b>8x25mm Wood Dowel</b>	27Pcs
2		<b>15MM Titus Mini Fix</b>	4Sets
3		<b>M3.5x16mm Screw</b>	8Pcs
4		<b>TP 10#x1/2" Screw</b>	16Pcs
5		<b>M4x25mm Screw</b>	2Pcs
6		<b>M5x38mm Screw</b>	10Pcs
7		<b>Shelf Support</b>	8Pcs

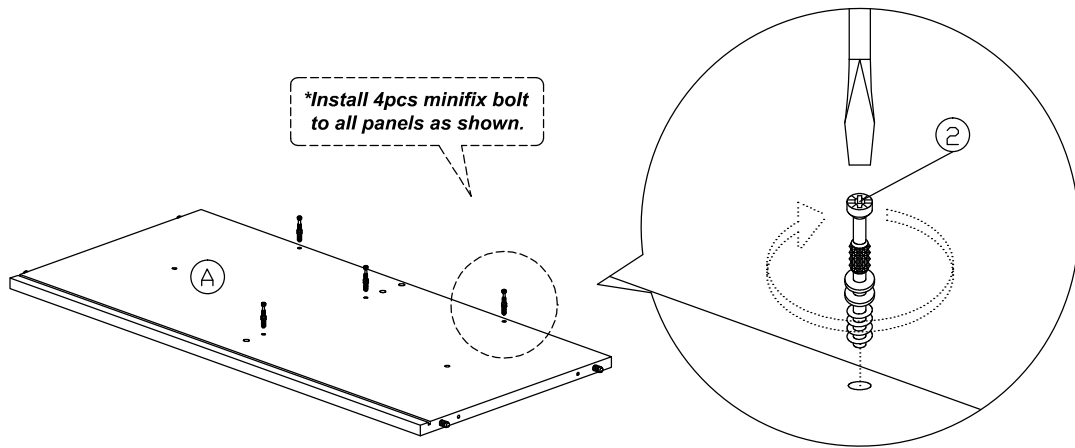
8		<b>Nail</b>	9Pcs
9		<b>Screw Cap</b>	8Pcs
10		<b>Nail Leg</b>	6Pcs
11		<b>Hinges (F012)</b>	4Sets
12		<b>Handle Knob 311 M3.6x24mm Screw</b>	2 Sets
13		<b>L Bracket</b>	4Pcs

# Assembly Instruction

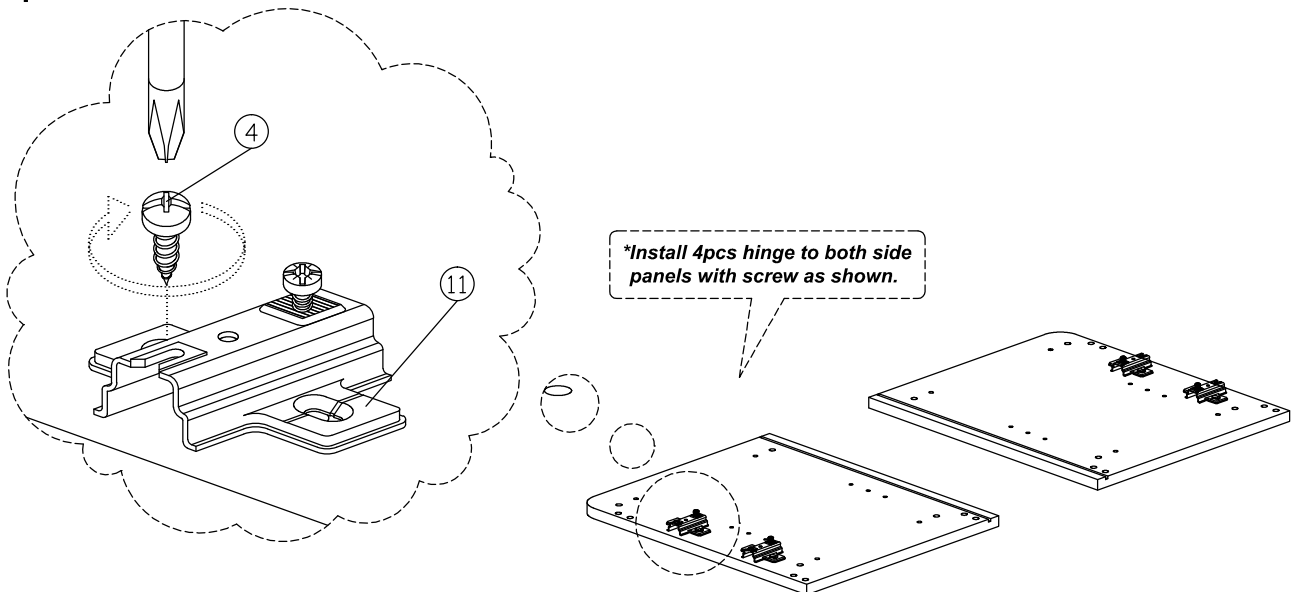
## Step 1



## Step 2

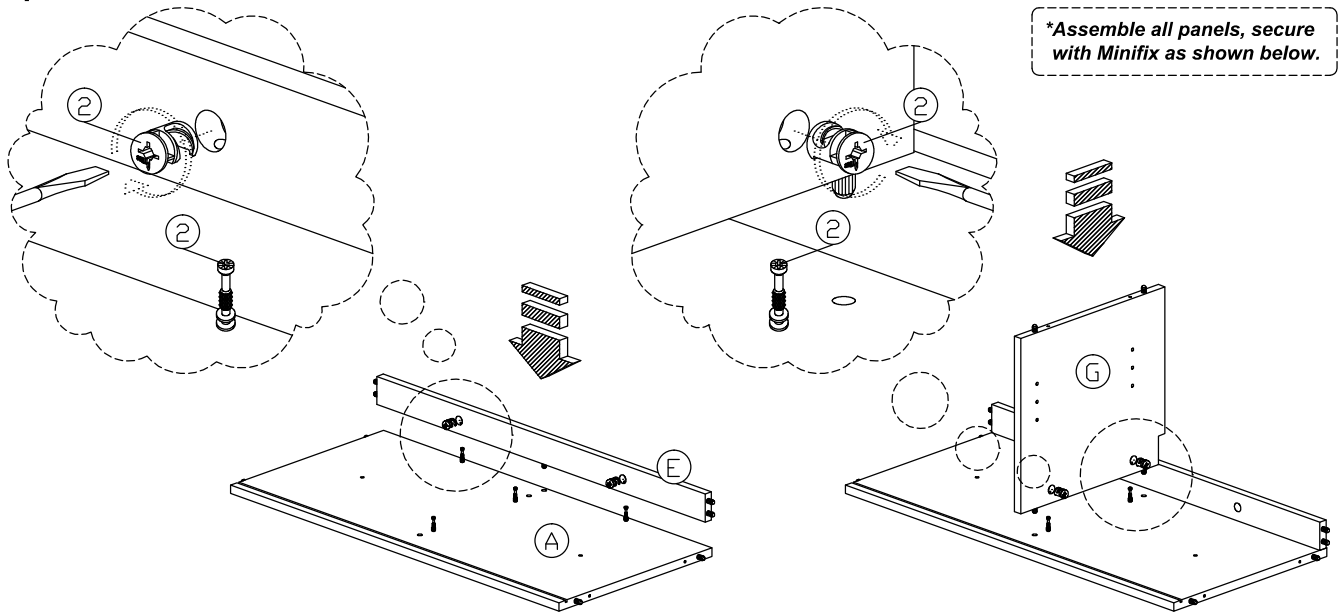


## Step 3

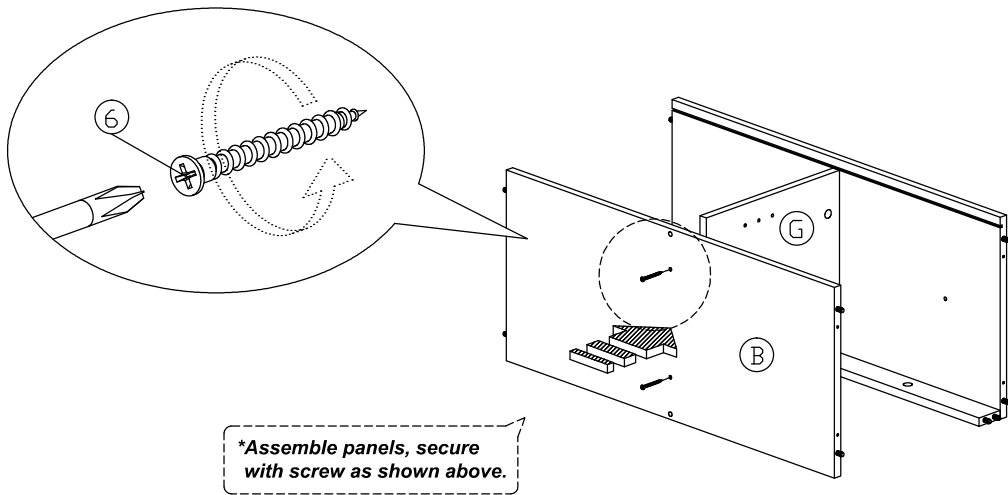


# Assembly Instruction

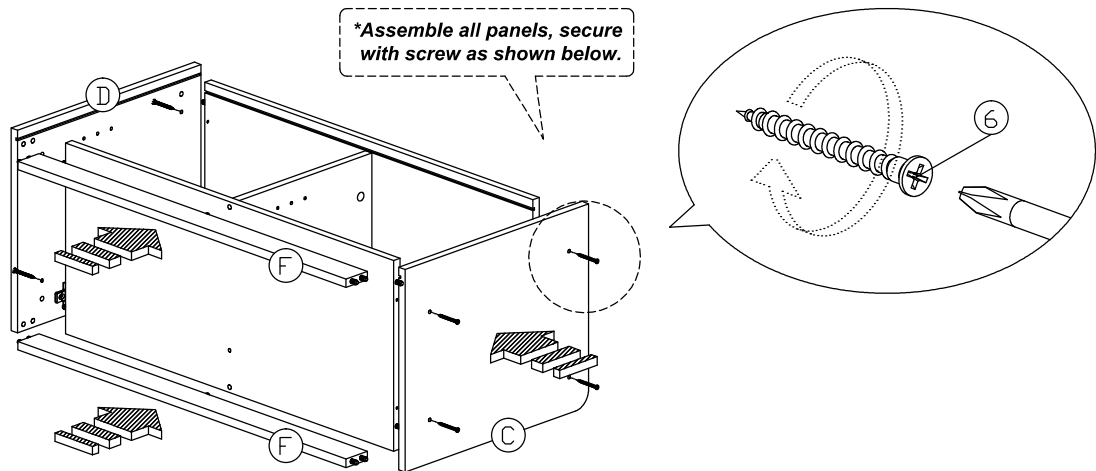
## Step 4



## Step 5

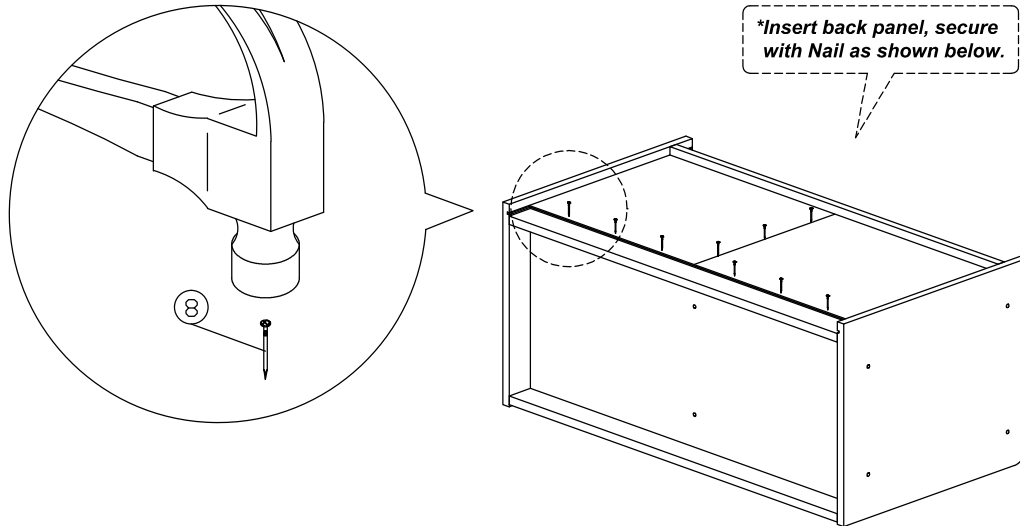


## Step 6

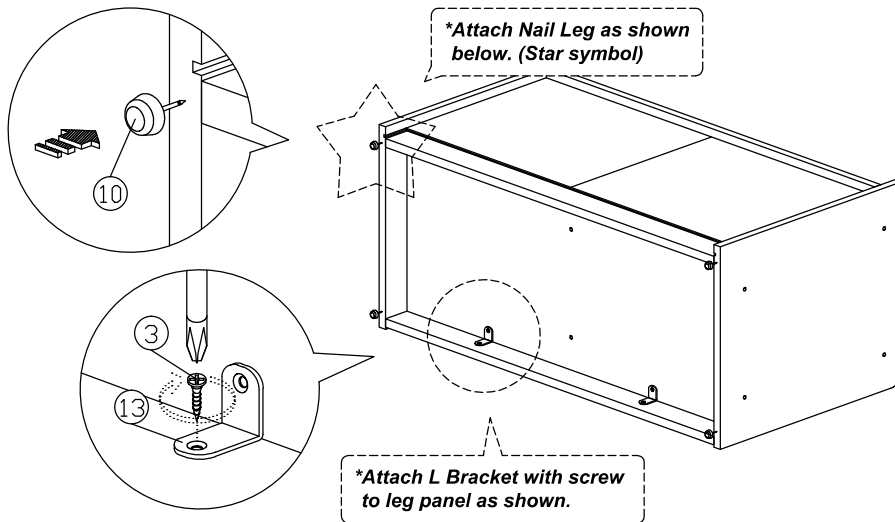


# Assembly Instruction

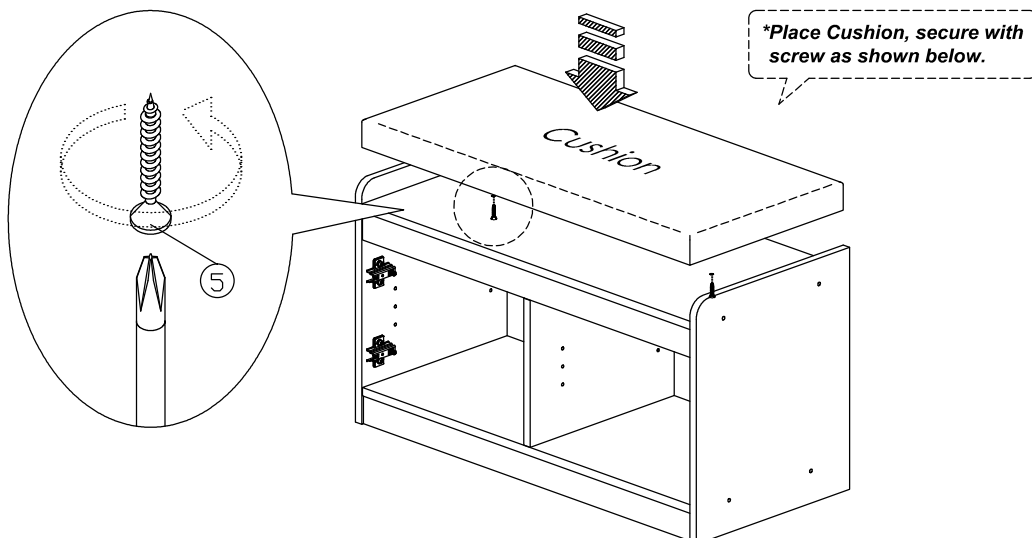
## Step 7



## Step 8

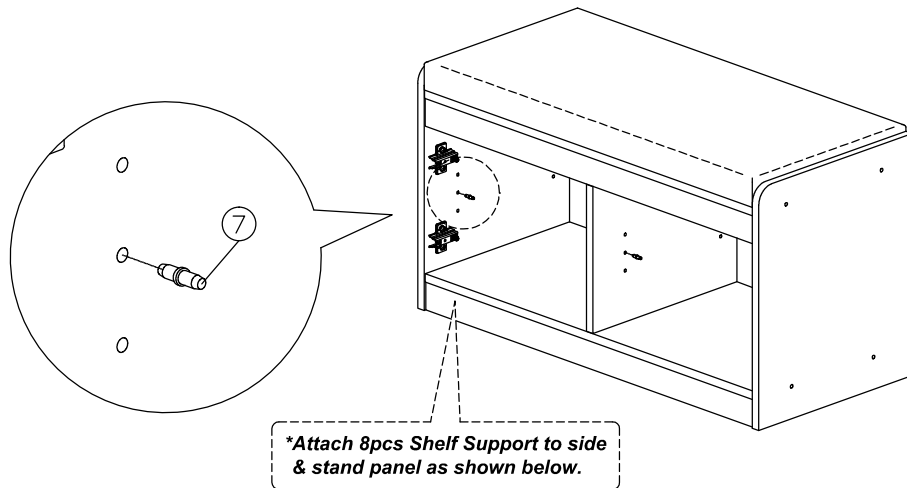


## Step 9

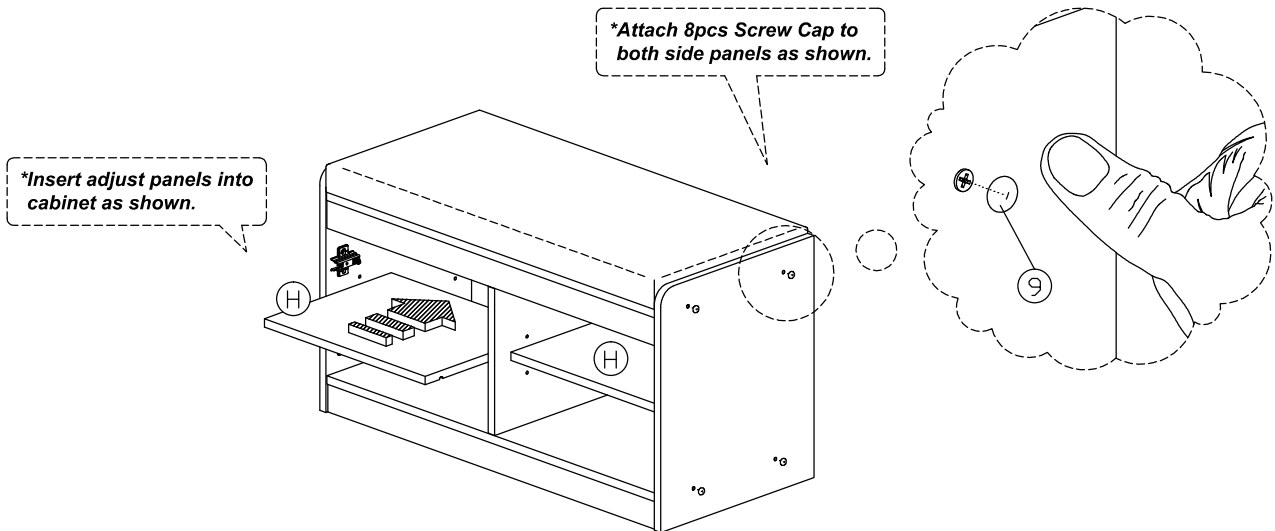


# Assembly Instruction

## Step 10



## Step 11



## Step 12

