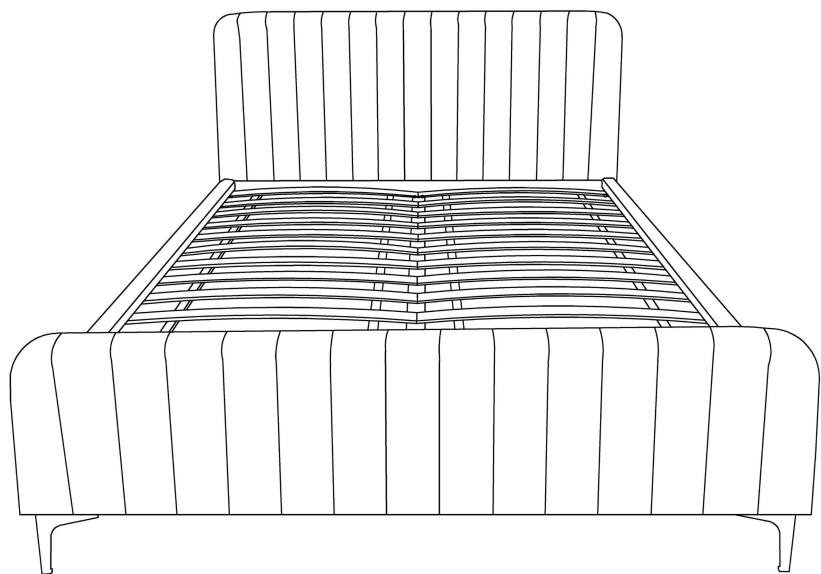


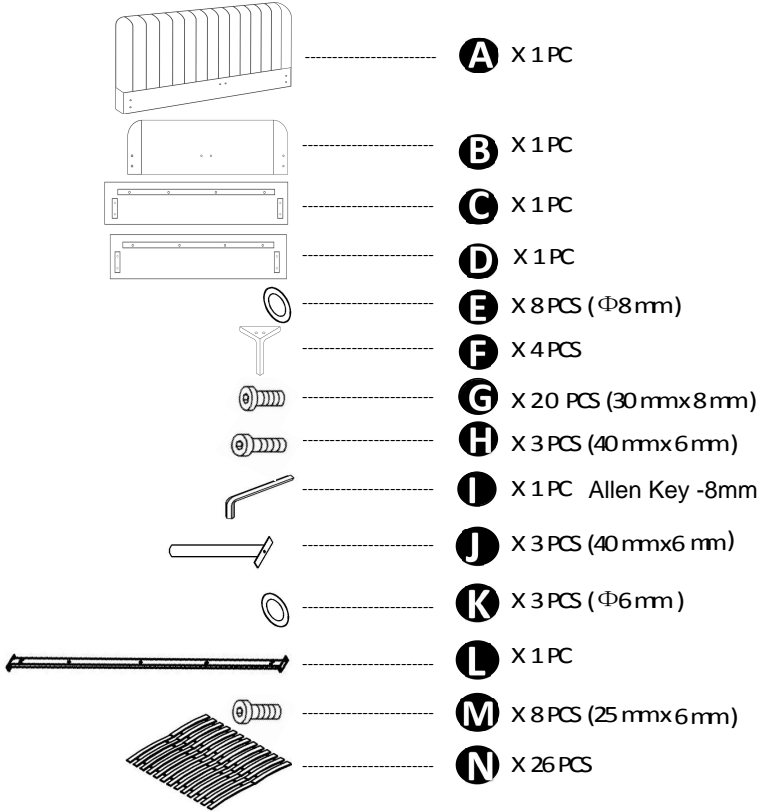
TOV



Angela Bed

DON'T BE BORING.

Hardware and Components



Step 1

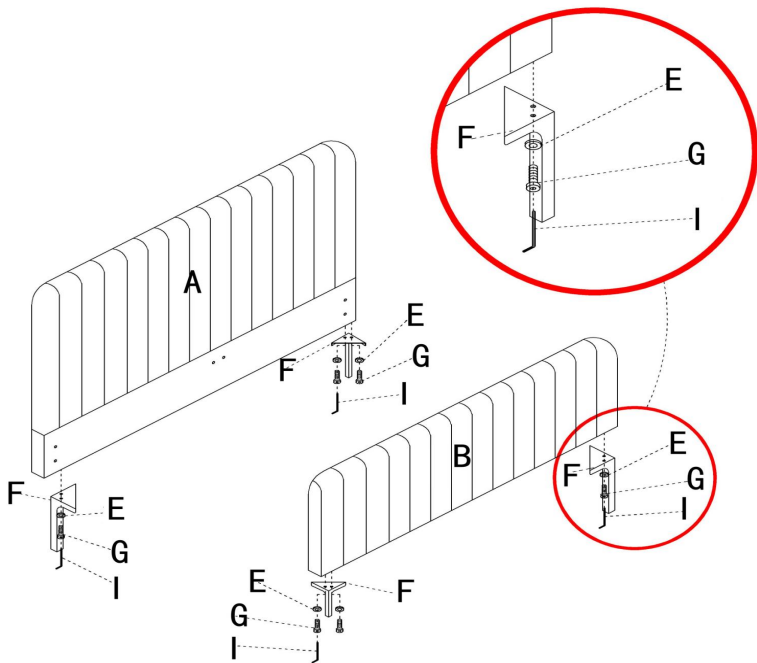
Open box of hardware and legs.
This hardware box will be a smaller box inside of the main box. Look for the red streamer.



Step 2

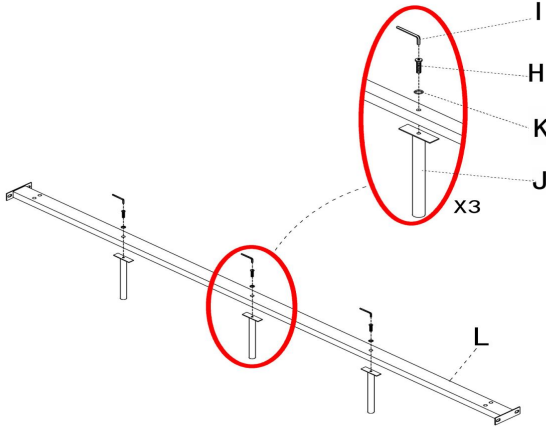
A. Layout Headboard (A), and footboard (B) as shown below.

B. Attach the 4 metal legs (F), to the headboard (A) and to the footboard (B), using bolt (G), and washers (E).
Ensure all legs are tight.



Step 3

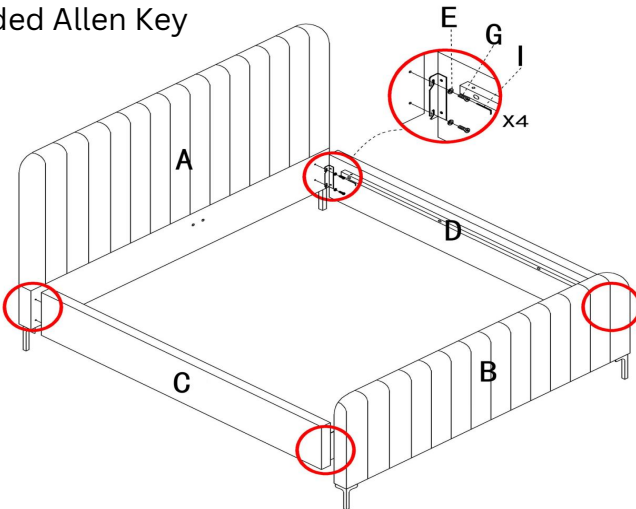
A. Attach the 3 support legs (J), to the support bar (L), using bolt (H), and washers (K). Ensure all legs are tight.



Step 4

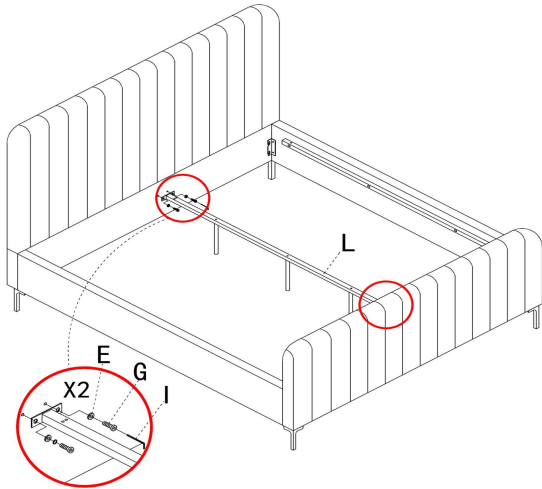
A. Connect the siderails (C & D) to the headboard (A) and footboard (B) using the metal hooks that have been preinstalled. using bolt (G), and washers (E).

B. On all 4 corners, fully tighten bolts using included Allen Key



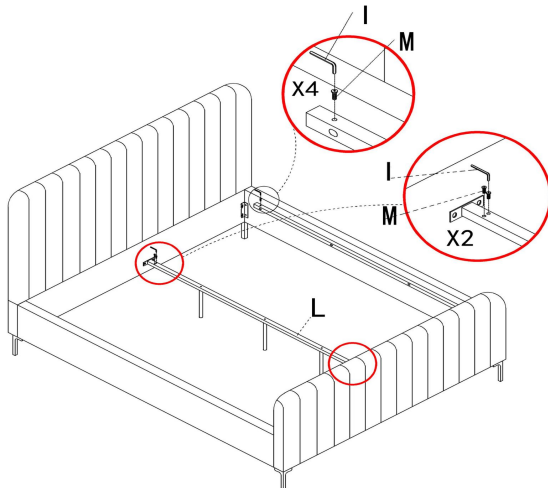
Step 5

A. Secure the support bar (L) to the headboard (A) and to the footboard (B), using bolt (G), and washers (E).



Step 6

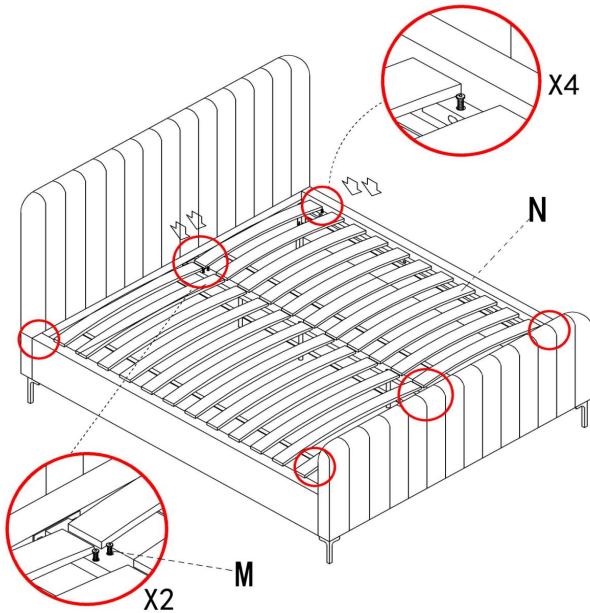
A. Install (4) screws (M) into center support bar and (4) screws (M) into the side rail supports.
Please note these screws will not go in all the way.



Step 7

A. Unroll slatroll(s) and place on bedframe. Slats need to be straight and tight.

B. Secure your slats in place by pulling the last slat overtop the bolts you just installed.



C. Your bed is complete, place mattress on slatroll and enjoy your new bed!

Stuck?
Contact our team @ 516-888-3355

Scan for product care!




TOV



Follow us!

Show your new purchase some love by tagging it on our Instagram!

 @tovfurniture

 516-888-3355

 hello@tovfurniture.com

 www.tovfurniture.com

If the future is female—your furniture should be, too. No mahogany in sight. Sexy settees shaped like lips. Price points for any budget. At TOV, we do things differently.