

INSTRUCTION MANUAL




BATHROOM VANITY

Attach Your Receipt Here

Model Number _____ Purchase Date _____

Thank you for purchasing this quality product. Please carefully inspect all packing materials and check the carton for small parts that may have come loose during shipping. This instruction must be provided to the user. Warranty & liability are limited to cases where assembly is performed by approved professionals in accordance with the instructions and local codes.

MODEL TYPE

Wall-mounted Bathroom Vanity	
	24V11-24, 24V11-30, 24V11-36, 24V11-42, 24V11-48, 24V11-60, 24V11-72
	24V12-24, 24V12-30, 24V12-36, 24V12-42, 24V12-48, 24V12-60, 24V12-72
	24V13-16, 24V15-24, 24V15-30, 24V15-36, 24V15-48, 24V15-60, 24V15-72
Screw-mounted Bathroom Vanity	
	24V11-16
Freestanding Bathroom Vanity	
	23V01-24, 23V01-30, 23V02-60, 23V02-72, 23V03-30, 23V03-36, 23V03-48, 23V03-72, 24V14-24, 24V14-36, 24V14-60, 24V14-72

* Please verify the model on the package you received. Use the table above to confirm the product type of your item based on its model number. Different types correspond to different contents and installation methods.

TABLE OF CONTENTS

Before You Begin.....	3
Safety Warnings.....	3
Tools Required (Not Supplied).....	3
Installation Instructions.....	4
Wall-Mounted Bathroom Vanity.....	4
Screw-Mounted Bathroom Vanity.....	7
Freestanding Bathroom Vanity.....	8
User Maintenance.....	11

BEFORE YOU BEGIN

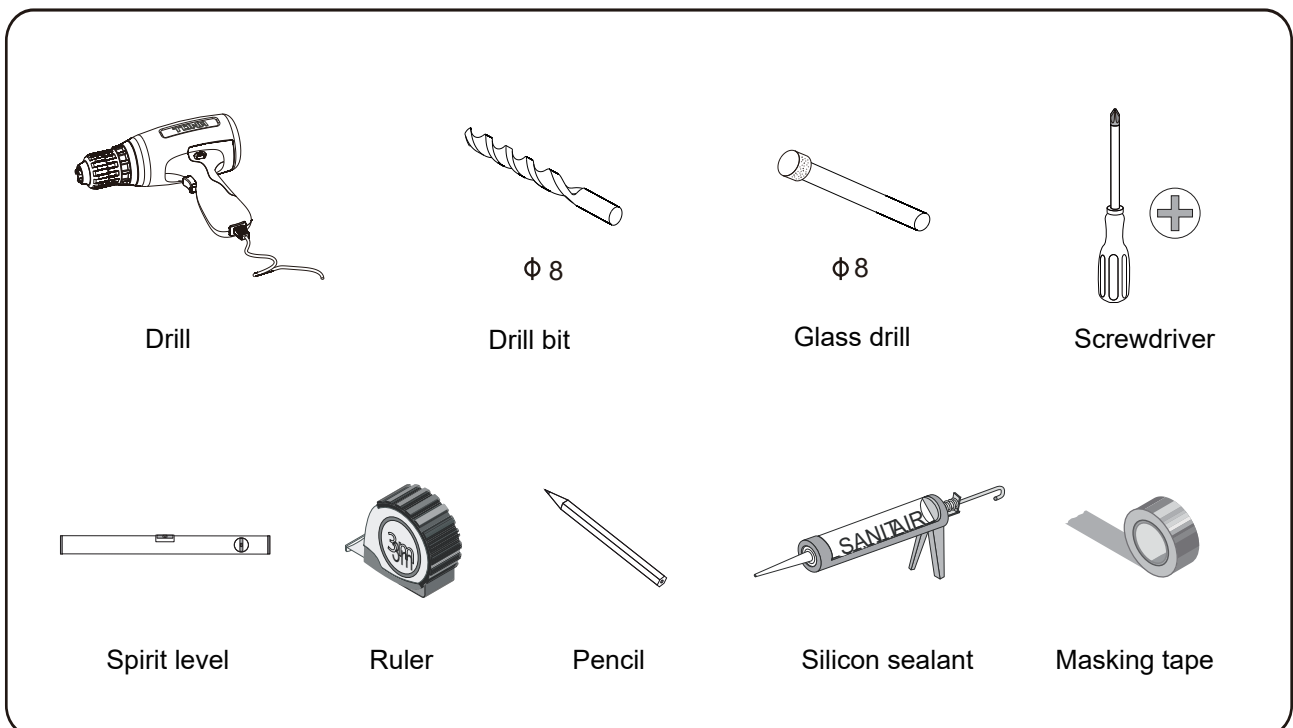
1. Please read these instructions carefully to familiarize yourself with the required tools, materials, and installation sequences.
2. To avoid costly mistakes, please thoroughly follow the operating and safety instructions below.
3. All information in this manual is based on the latest product information available at the time of publication. We reserves the right to change product specifications, packaging, or availability at any time without notice.
4. Please carefully review the important care and cleaning guidelines at the end of this manual.
5. This product complies with GB 24977-2010.

SAFETY WARNINGS

Our products are precision-engineered to provide superior and safe performance, provided the following guidelines are met:

1. They are installed, commissioned, operated, and maintained according to the recommendations in this manual.
2. To keep the product in good working order, periodic maintenance is necessary. Carefully inspect the new fixture for any signs of damage. When installing the products, follow the manufacturer's guidelines for power tool safety.

TOOLS REQUIRED (NOT SUPPLIED)

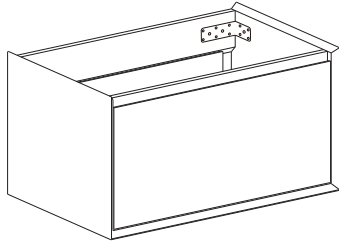


INSTALLATION INSTRUCTIONS—Wall-mounted

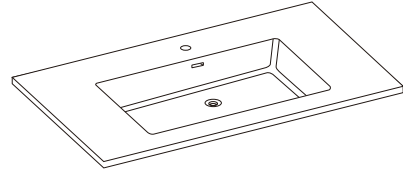
Wall-mounted Bathroom Vanity

Part List

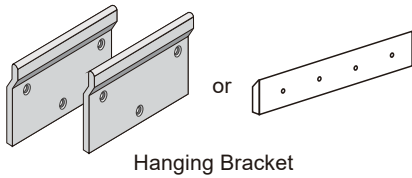
Cabinet



Basin



Fixed Accessories



Hanging Bracket



φ 8X40mm



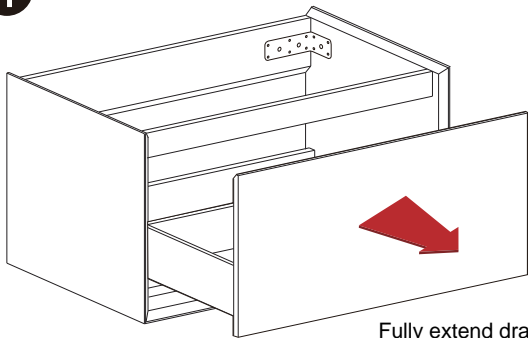
M4X50mm

M4X70mm

*Number and shape of accessories may vary by product size.

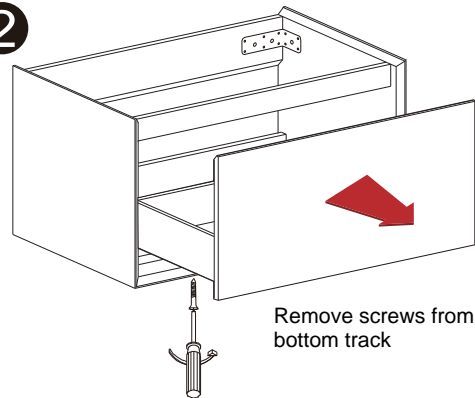
Step 1: Remove Drawers

1



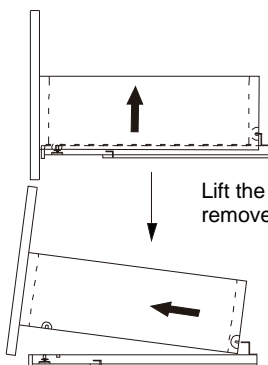
Fully extend drawers

2



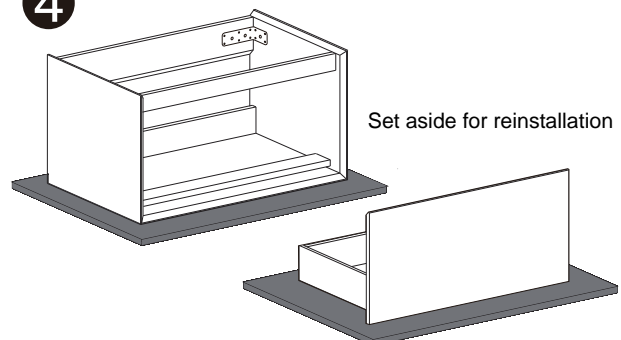
Remove screws from the bottom track

3



Lift the drawer gently to remove it from the tracks

4

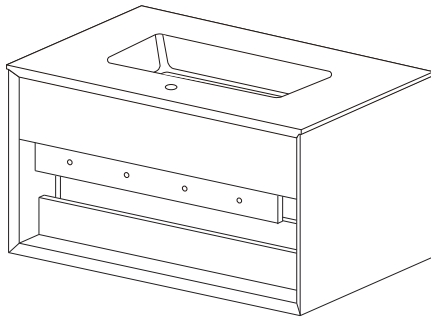


Set aside for reinstallation

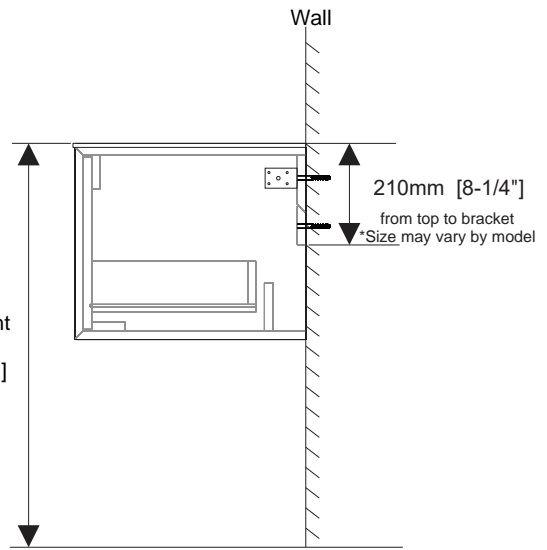
INSTALLATION INSTRUCTIONS—Wall-mounted

Step 2: Mount the Vanity on the Wall

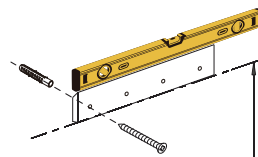
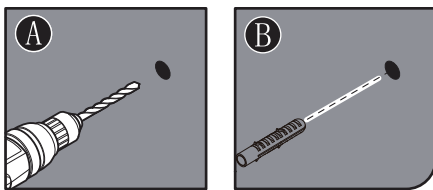
1



Recommended
Installation Height
850mm [33-1/2"]

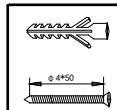


2



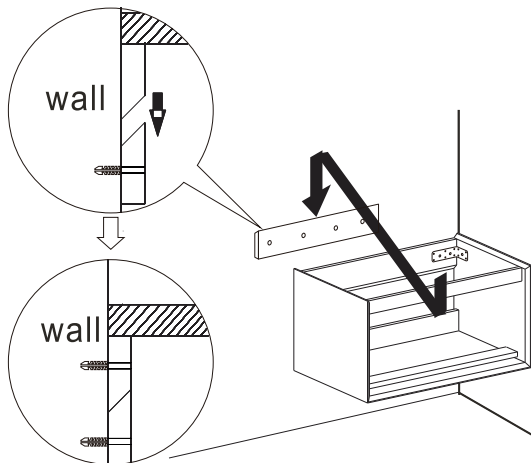
640mm [25-1/5"]
from floor to bracket

Position the bracket on the wall and level it with a spirit level.
Mark the positions, drill holes, and insert wall anchors.
Secure the bracket with the provided bolts.



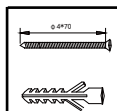
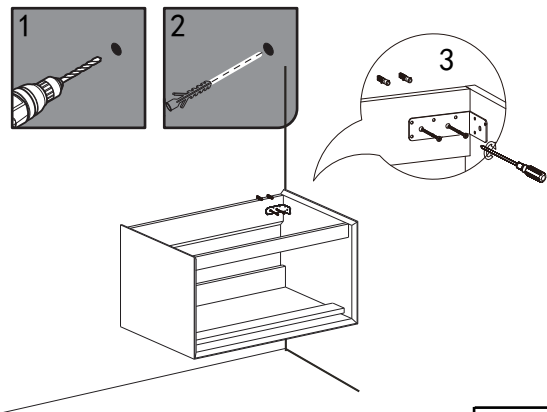
3

Lower the cabinet onto brackets,
ensuring it hooks securely.



4

Mark the cabinet hole positions, drill holes, insert wall anchors, and secure it with the provided bolts.

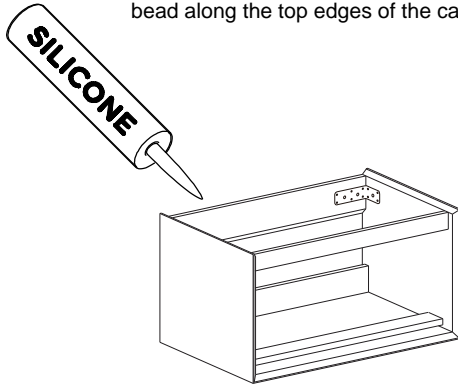


INSTALLATION INSTRUCTIONS—Wall-mounted

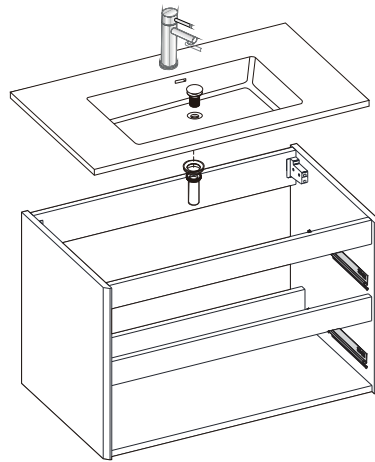
Step 3: Install the Countertop

1

Apply the silicone sealant in a continuous bead along the top edges of the cabinet

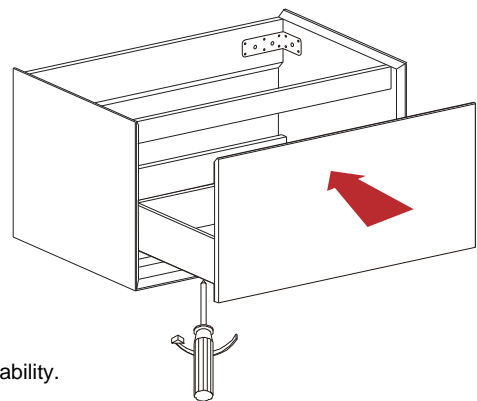
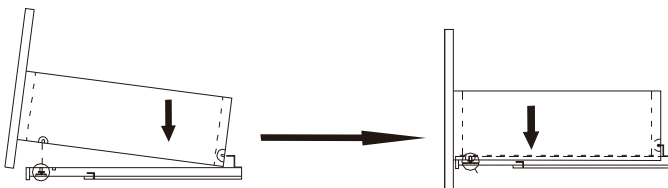


2



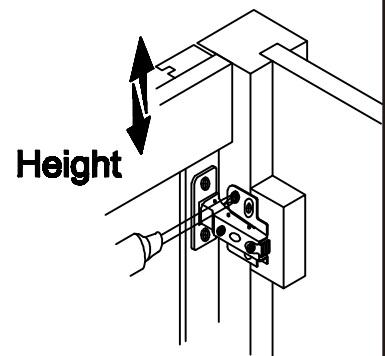
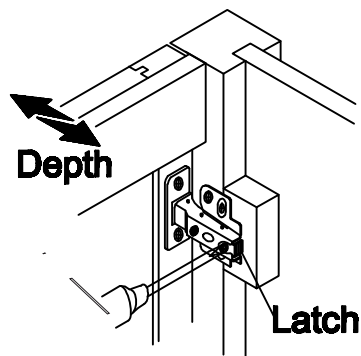
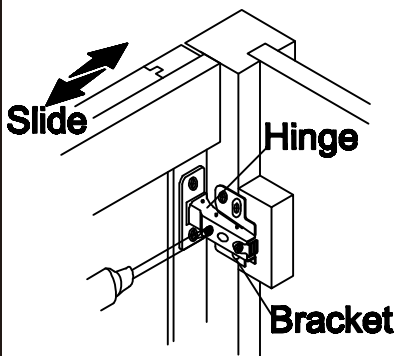
Install the faucet, water supply lines and drain assembly. Place the top on the cabinet. Allow to stand for 24 hours.

Step 4: Reinstall Drawers



Pull out the sliding tracks and align the drawer slots. Securely tighten the screws underneath the drawer slides to ensure stability.

Adjust the cabinet doors (If any)

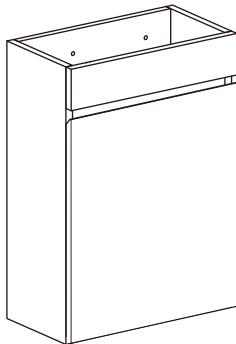


*Cabinets are shipped pre-assembled. Parts may be misaligned due to shipping. Adjust as needed.

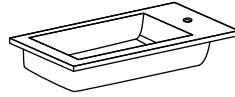
INSTALLATION INSTRUCTIONS—Screw-Mounted

Screw-Mounted Bathroom Vanity (Screws attach directly to the wall)

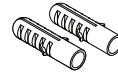
Part List



Cabinet



Basin



H1X2



H2X2

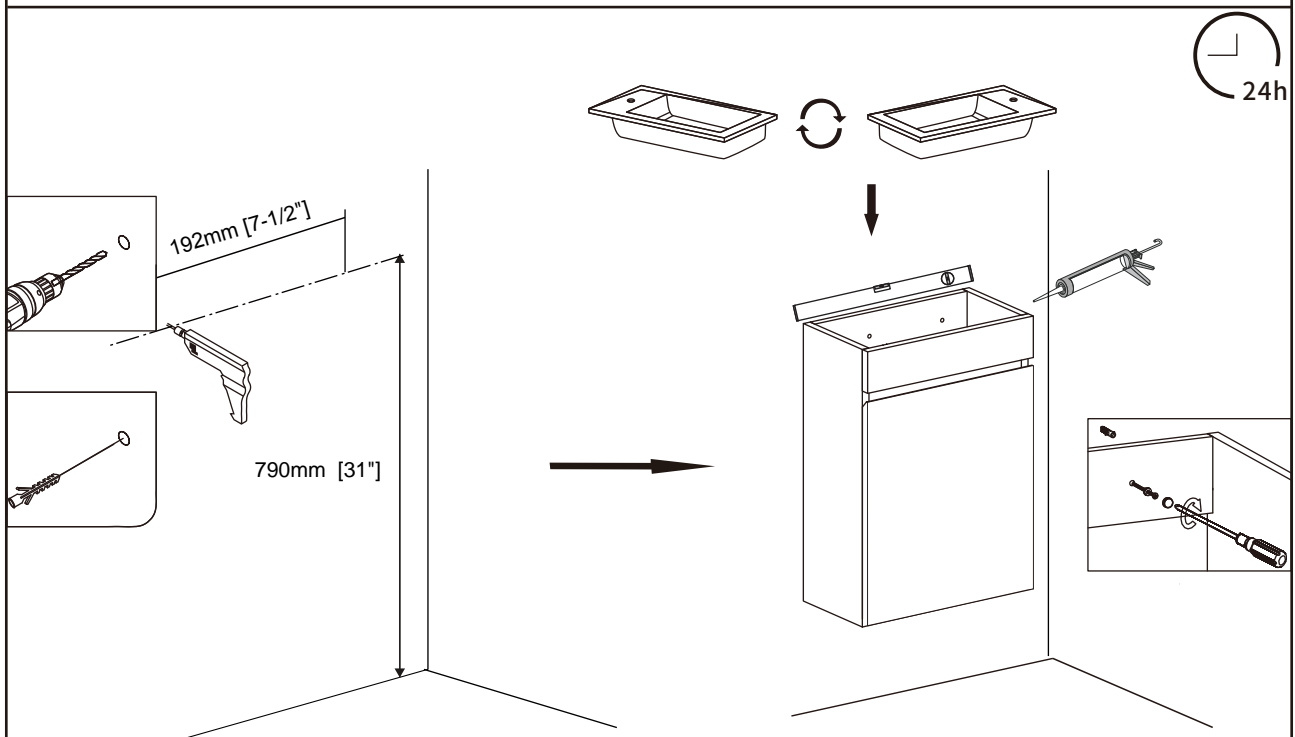


H3X2

Fixed Accessories

*Number and shape of accessories may vary by product size.

Installation Steps



Step 1: Measure the length between the two holes on the vanity back panel which is predrilled before delivery. Normally 192mm /7-1/2" apart. The recommended installation height is 790mm/31" from floor. *Size may vary by models.

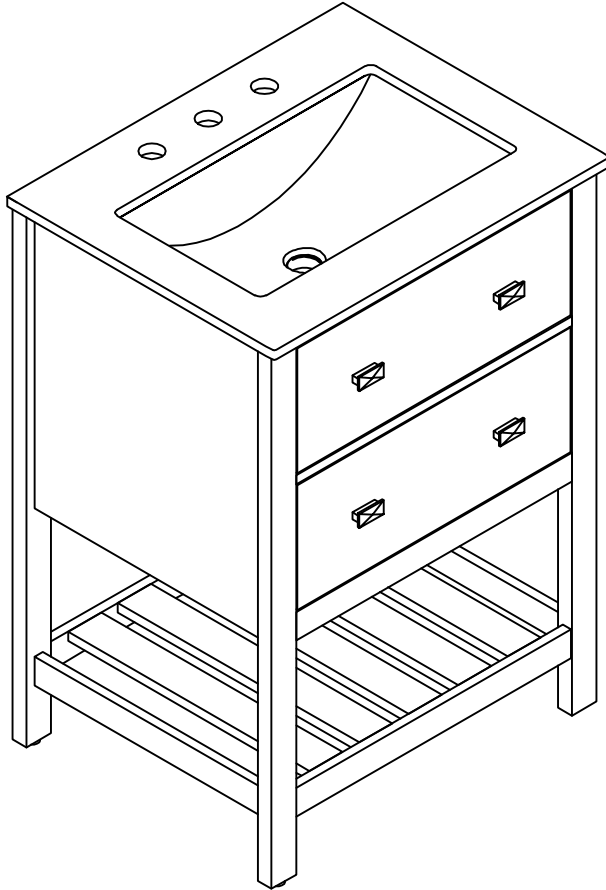
Step 2: Mark these two points on the wall for bolts placement. Drill holes and insert wall anchors.

Step 3: Lift the cabinet and align it with the installed anchors. Use bolts to secure.

Step 4: Apply silicone sealant along the vanity top. Place the top on the vanity and let it dry for 24h.

Freestanding Bathroom Vanity

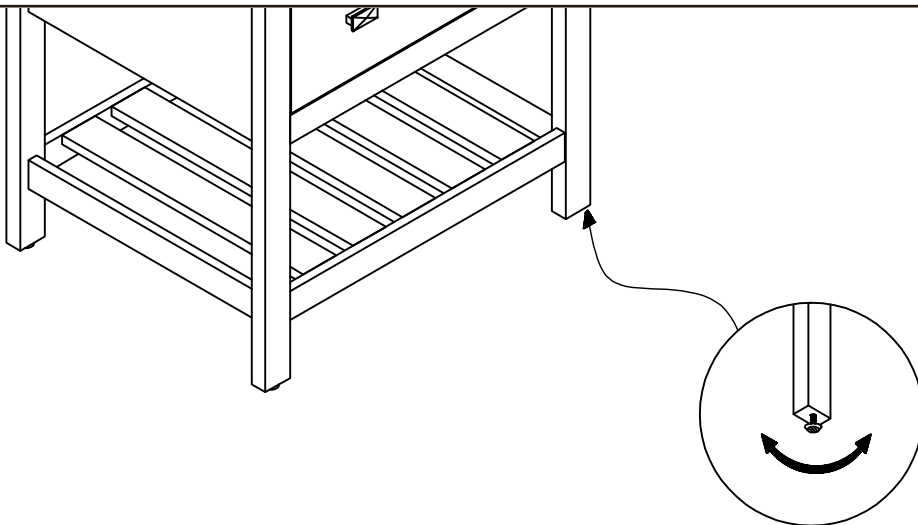
Part List



Pre-assembled Cabinet with Top

Backsplash

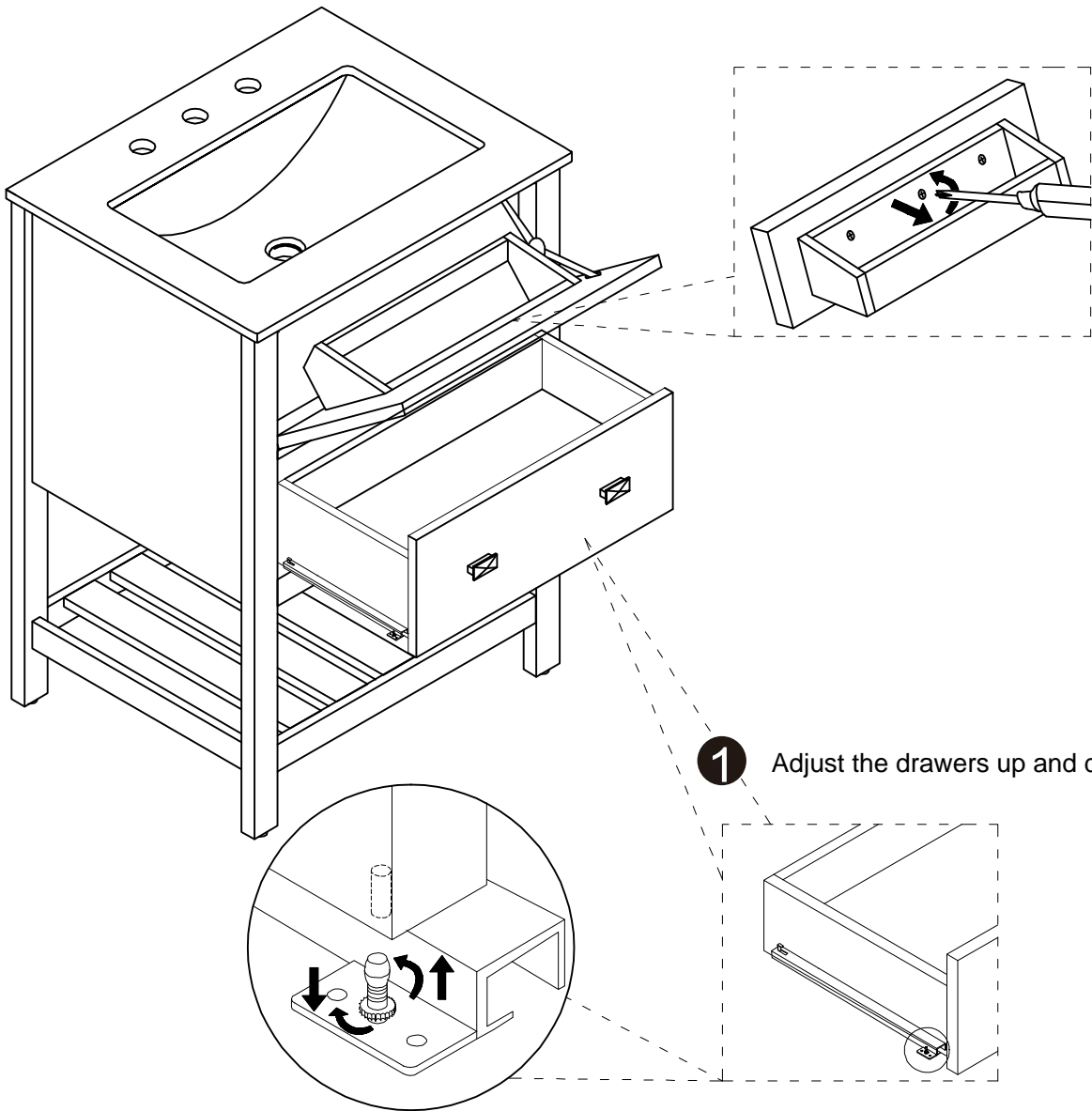
Step 1: Leveling



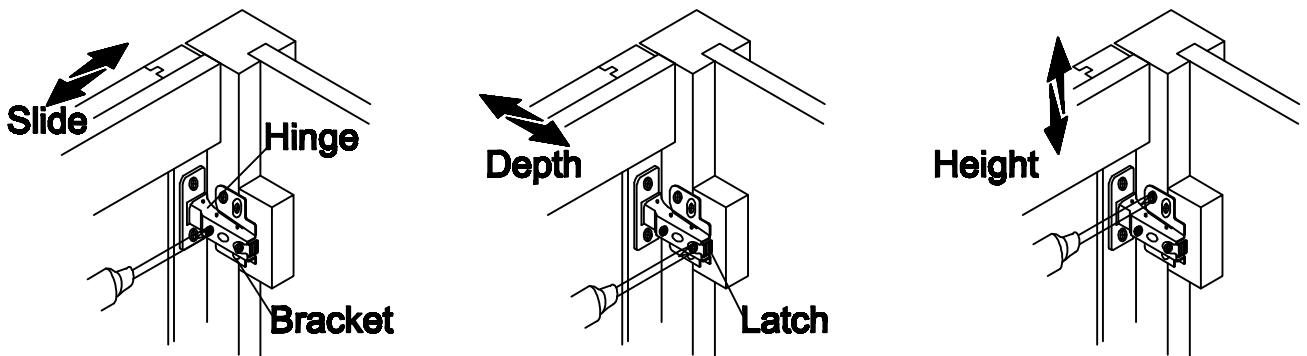
Place the vanity in your desired location. Ensure the cabinet is level. If it's not, adjust the feet or use wooden shims as needed.

INSTALLATION INSTRUCTIONS—Freestanding

Step 2: Adjust the Drawers and Doors

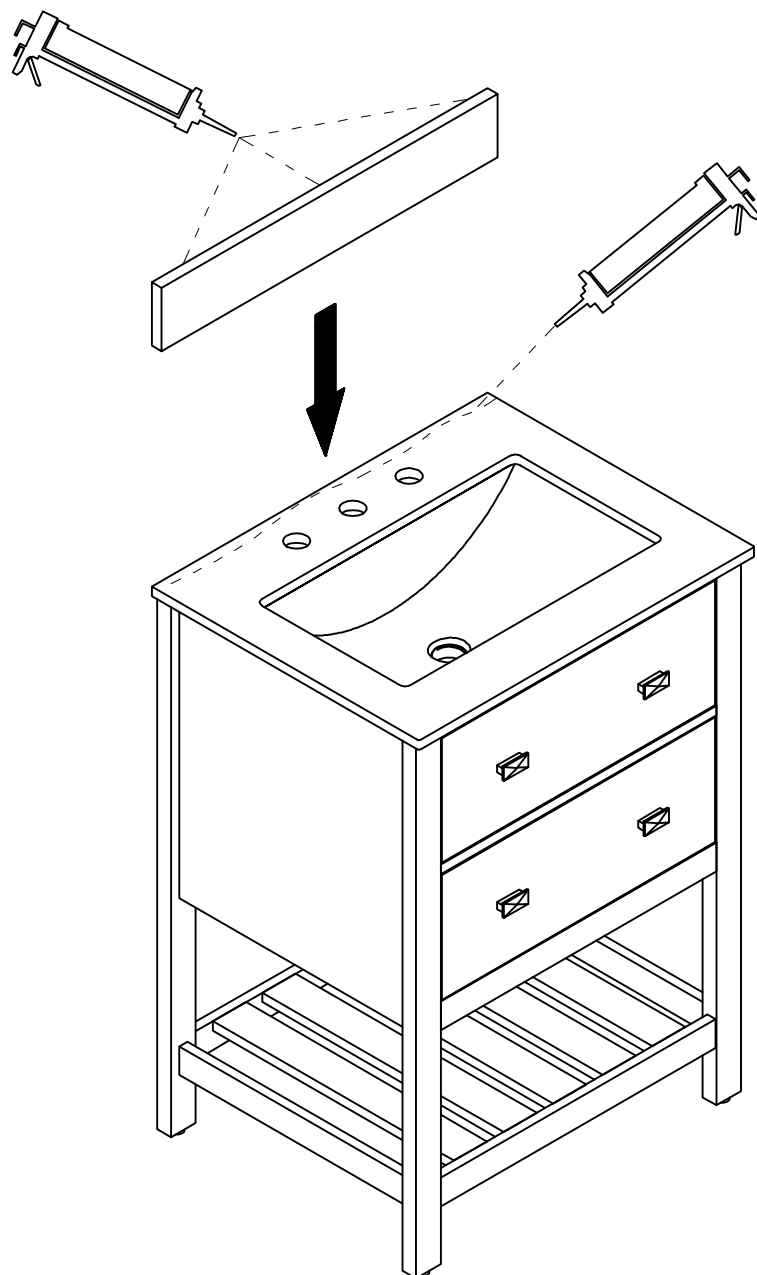


2 Adjust the cabinet doors (If any)


























*Cabinets are shipped pre-assembled. Parts may be misaligned due to shipping. Adjust as needed.

Step 3: Install the Countertop & Back Splash



Apply a continuous bead of silicone along the cabinet's top edges and the back of the splashback. Place the top on the cabinet, press the splashback against the wall, fill gaps, and wipe off excess sealant with a damp cloth. Allow to stand for 24 hours.

USER MAINTENANCE

<p>BE SURE TO dry the vanity after use to prevent water spots.</p> <p>  </p>	<p>DO NOT put lit cigarettes on the counter or basin, which will cause discoloration.</p> <p>  </p>
<p>DO NOT pour acid or alkaline solutions into the basin, which will cause discoloration, leak or damage.</p> <p>  </p>	<p>AVOID DIRECT SUNLIGHT, which may cause deformation and discoloration.</p> <p>  </p>
<p>AVOID HEAT, which will cause deformation and discoloration.</p> <p>  </p>	<p>DO NOT pour boiling water into the basin, which may cause damage.</p> <p>  </p>
<p>AVOID nylon brush, toilet cleaner or hydrochloric acid cleaner, which will cause damage</p> <p>  </p>	<p>AVOID dropping hard objects into the basin, which may cause damage.</p> <p>  </p>

To extend the life of the product, please do the maintenance work every day. The following maintenance methods are for reference only.

- ✱ Always dry the vanity after use to prevent water spots. Use a dry towel to wipe away any water splashes.
- ✱ When the product is stained with dirt, wipe the cabinets clean with a soft, damp cloth, apply some cleaners, and dry immediately with another clean, soft cloth.
- ✱ The water supply pipes, the drainage pipes, and the connection parts are prone to water leakage under different circumstances. Please check these parts regularly to avoid accidents due to water leakage.
- ✱ After the product is used for a period of time, dirt will remain on the drain plug, which will affect drainage, so the plug needs to be cleaned regularly.