

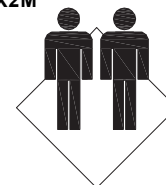
USER'S MANUAL

THIS INSTRUCTION BOOKLET CONTAINS **IMPORTANT** SAFETY INFORMATION. PLEASE READ AND KEEP FOR FUTURE REFERENCE.

Please give us a chance to make it right and do better!

Contact our friendly customer service department for help first.
Replacements for missing or damaged parts will be shipped ASAP!

**FLOOR AREA
2MX2M**



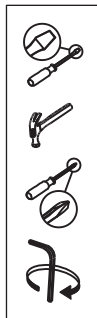
ASSEMBLED BY 2 ADULTS

Contact Us!

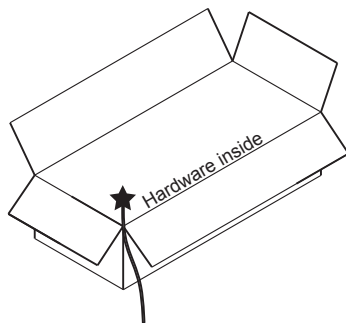
Do NOT return this item.

Contact our friendly customer service department for help first.

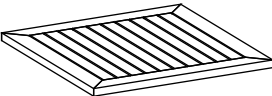
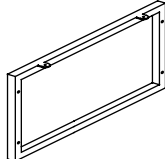
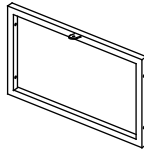

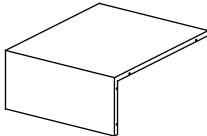
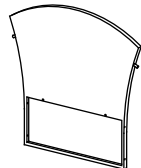
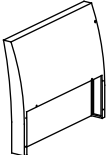
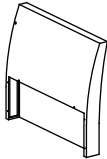
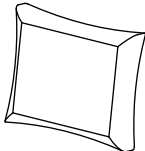
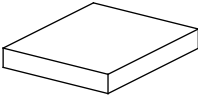


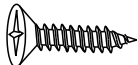
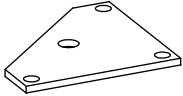

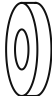
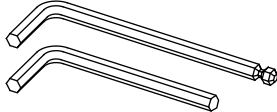
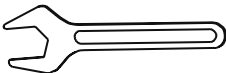
Before You Start



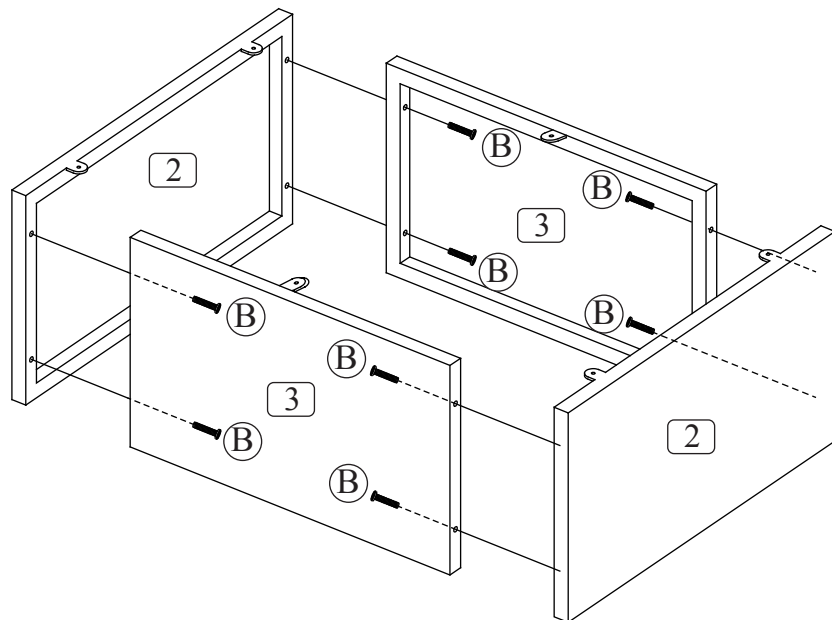
- ⚠ Read each step carefully before starting. It is very important to ensure each step followed in correct order, otherwise assembly difficulties may occur.
- ⚠ Most of board parts are labeled or stamped on the raw edges. Have a check to make sure all parts are included.
- ⚠ Work in a spacious area, preferably on a carpet close to where the unit will be used.
- ⚠ Keep the handtools close at hand. Do not use power tools to assemble your furniture. They may scratch or damage the parts.



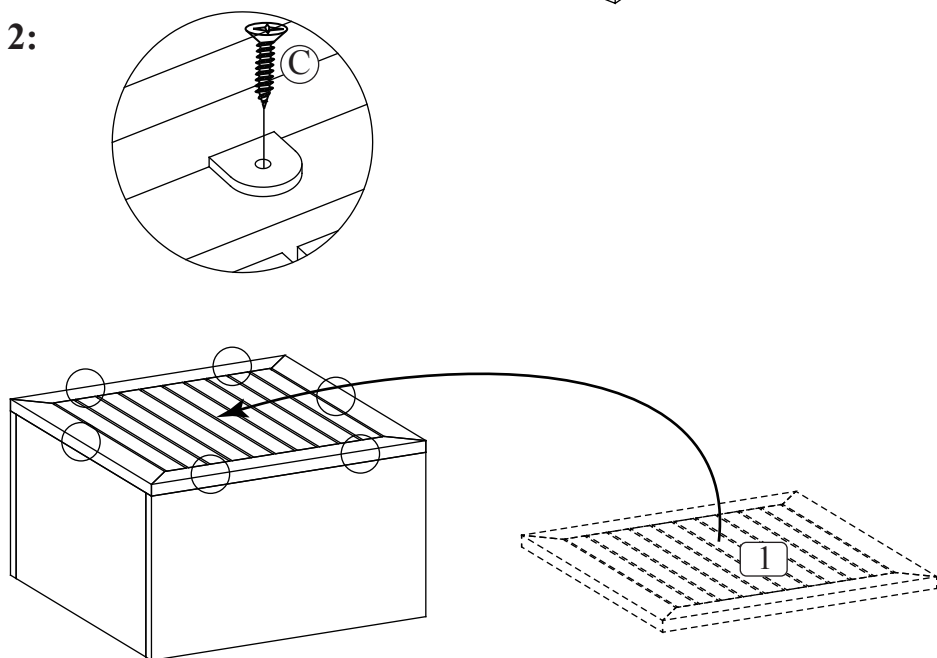
Component List

 1 Table top x1 pc	 2 Long side table x2 pcs	 3 Short side table x2 pcs
 4 Wood leg x12 pcs	 5 Seat panel x2 pcs	 6 Back panel x2 pcs
 7 Right leg x2 pcs	 8 Left leg x2 pcs	 9 Cushion back x2 pcs
 10 Cushion seat x2 pcs	 A M6x15 mm Screw x36 pcs	 B M6x30 Bolt x36 pcs
 C M4x15 mm Screw x6 pcs	 D Metal plate x12 pcs	 E M8x10 Nut x12 pcs
 F M8x16x2 Steel washer x12 pcs	 G Allen Key x2 pcs	 H Wrench x1 pc

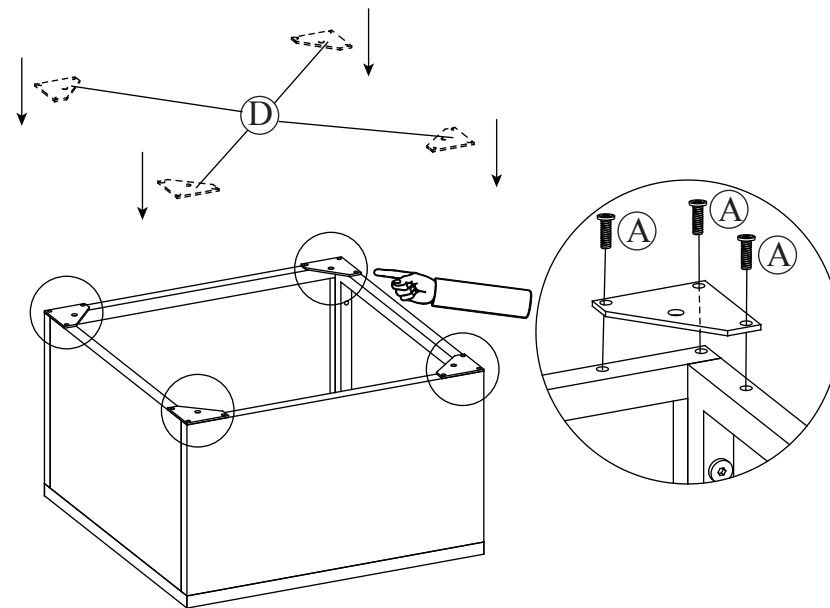
Step 1:



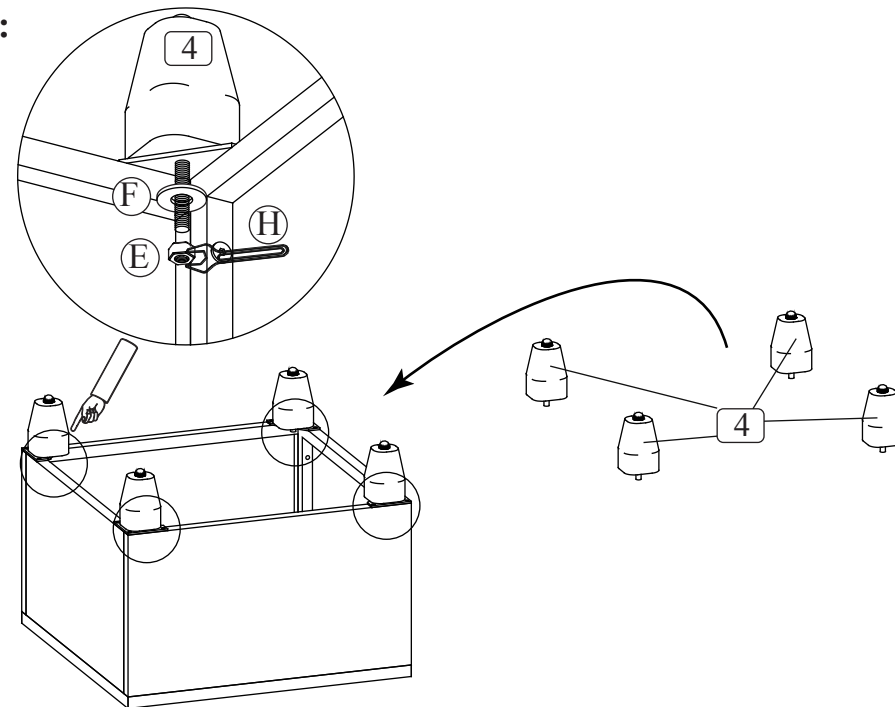
Step 2:



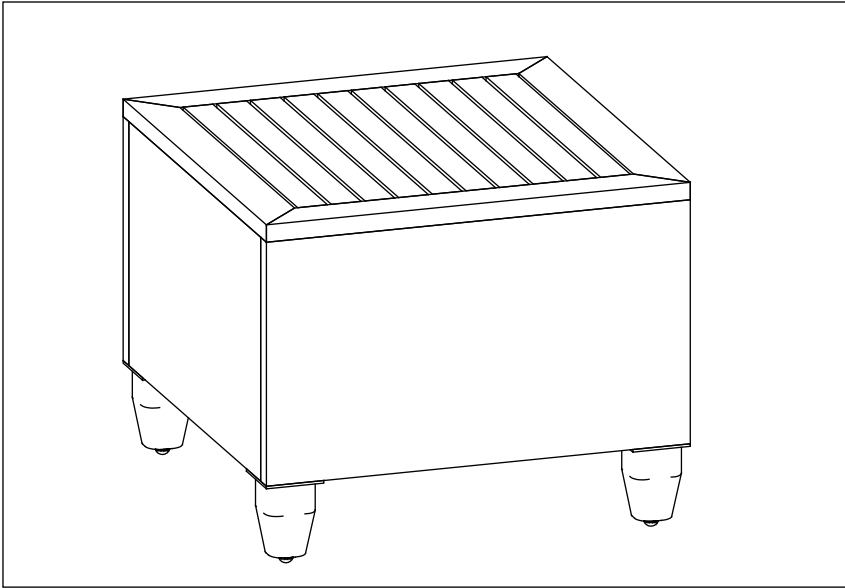
Step 3:



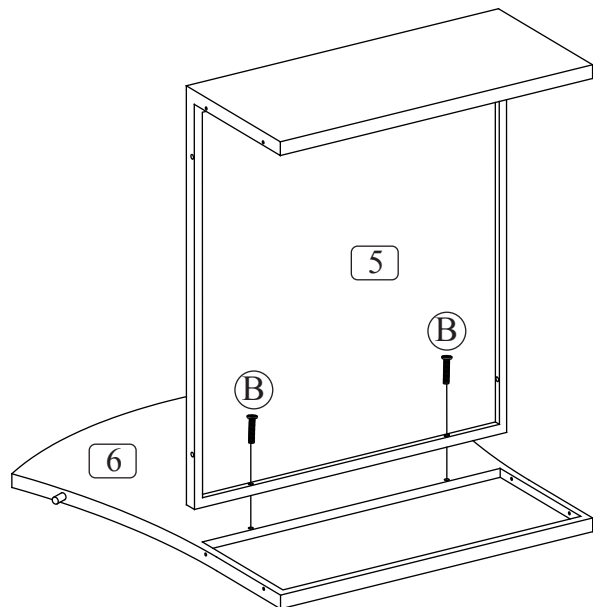
Step 4:



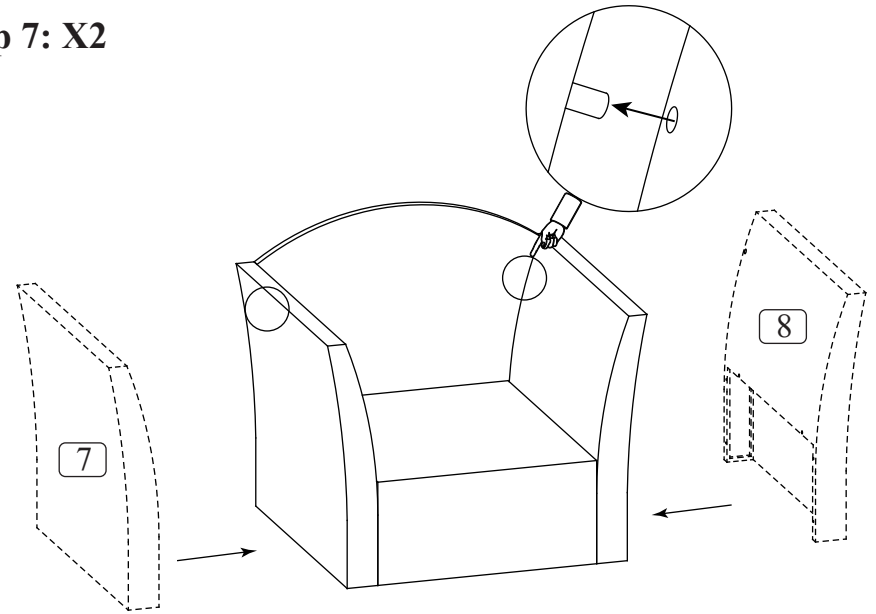
Step 5:



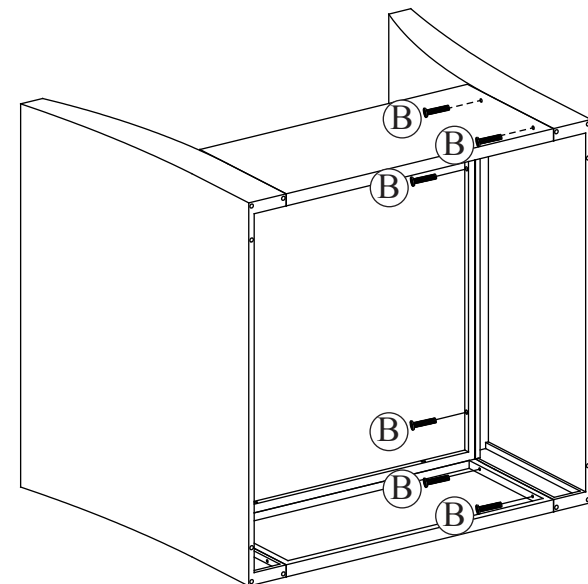
Step 6: X2



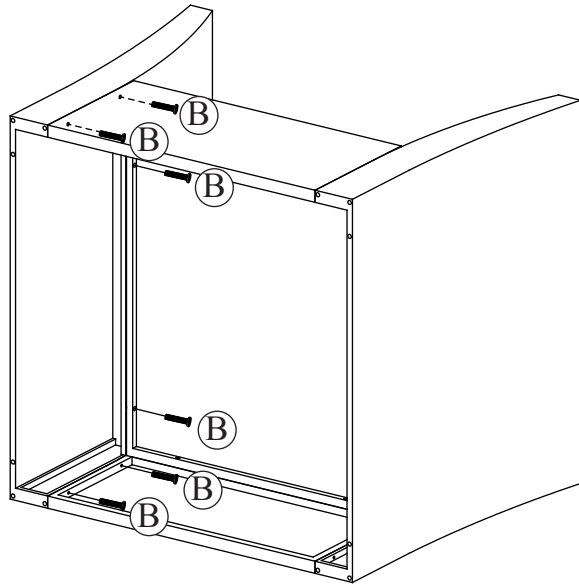
Step 7: X2



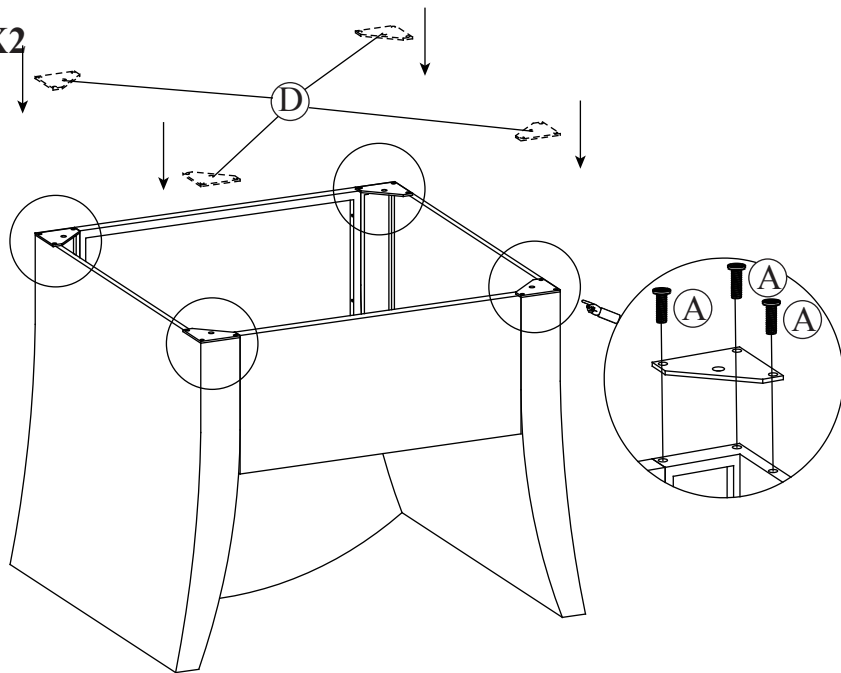
Step 8: X2



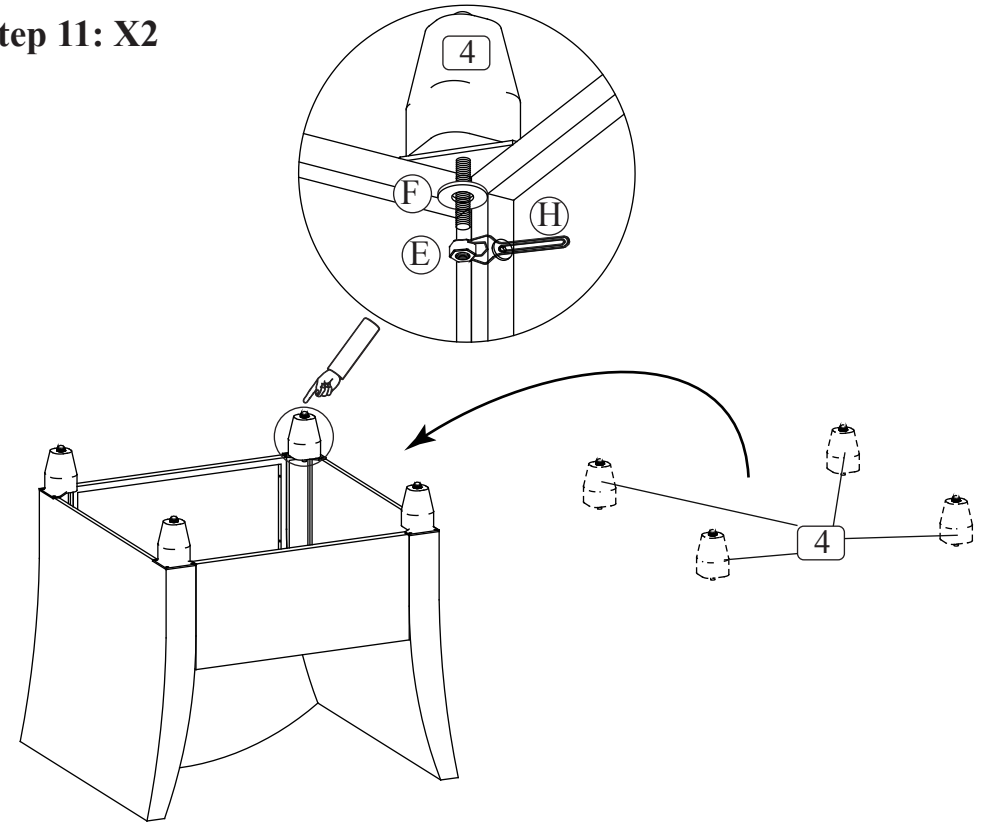
Step 9: X2



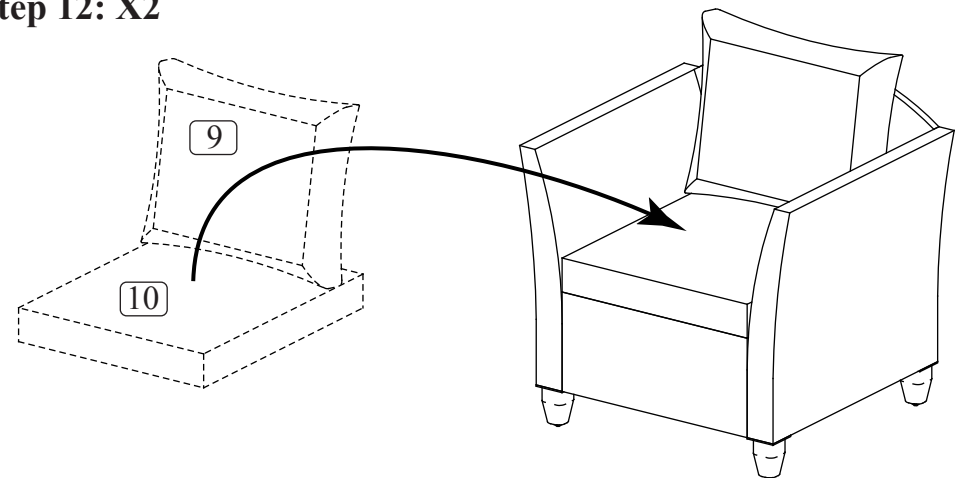
Step 10: X2



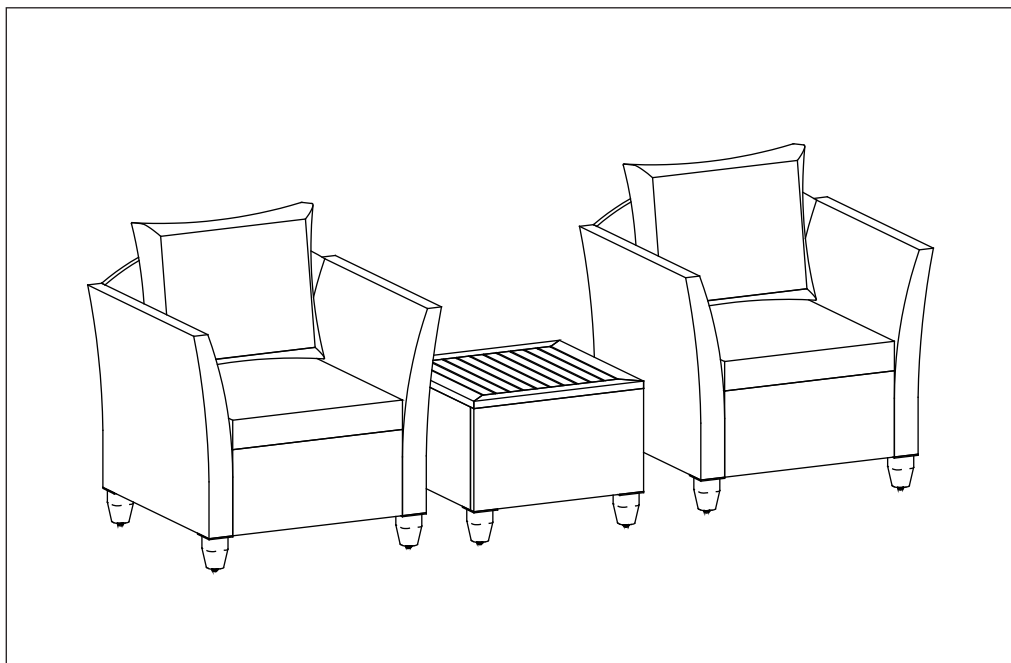
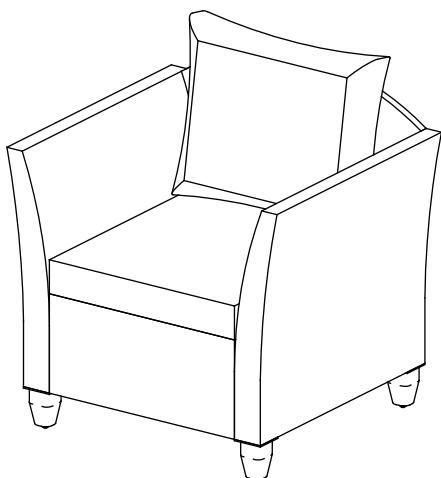
Step 11: X2



Step 12: X2



Step 13:



Care and Maintenance

Use a soft, clean cloth that will not scratch the surface when dusting.

Use of furniture polish is not necessary.

Should you choose to use polish, test first in an inconspicuous area.

Using solvents of any kind on your furniture may damage the finish.

Liquid spills should be removed immediately. Using a soft clean cloth, blot the spill gently. Avoid rubbing.

Check bolts/screws periodically and tighten them if necessary.

Further advice about wood furniture care

Please protect your outdoor furniture with a cover when not in use since Long-term sunlight exposure will result in the damage on the surface.

In addition to sunlight damage, wood and metal frame suffers when exposed to extremes in temperature and humidity.

Proper care and cleaning at home will extend the life of your purchase.

Following these important and helpful tips will enhance your furniture as it ages.