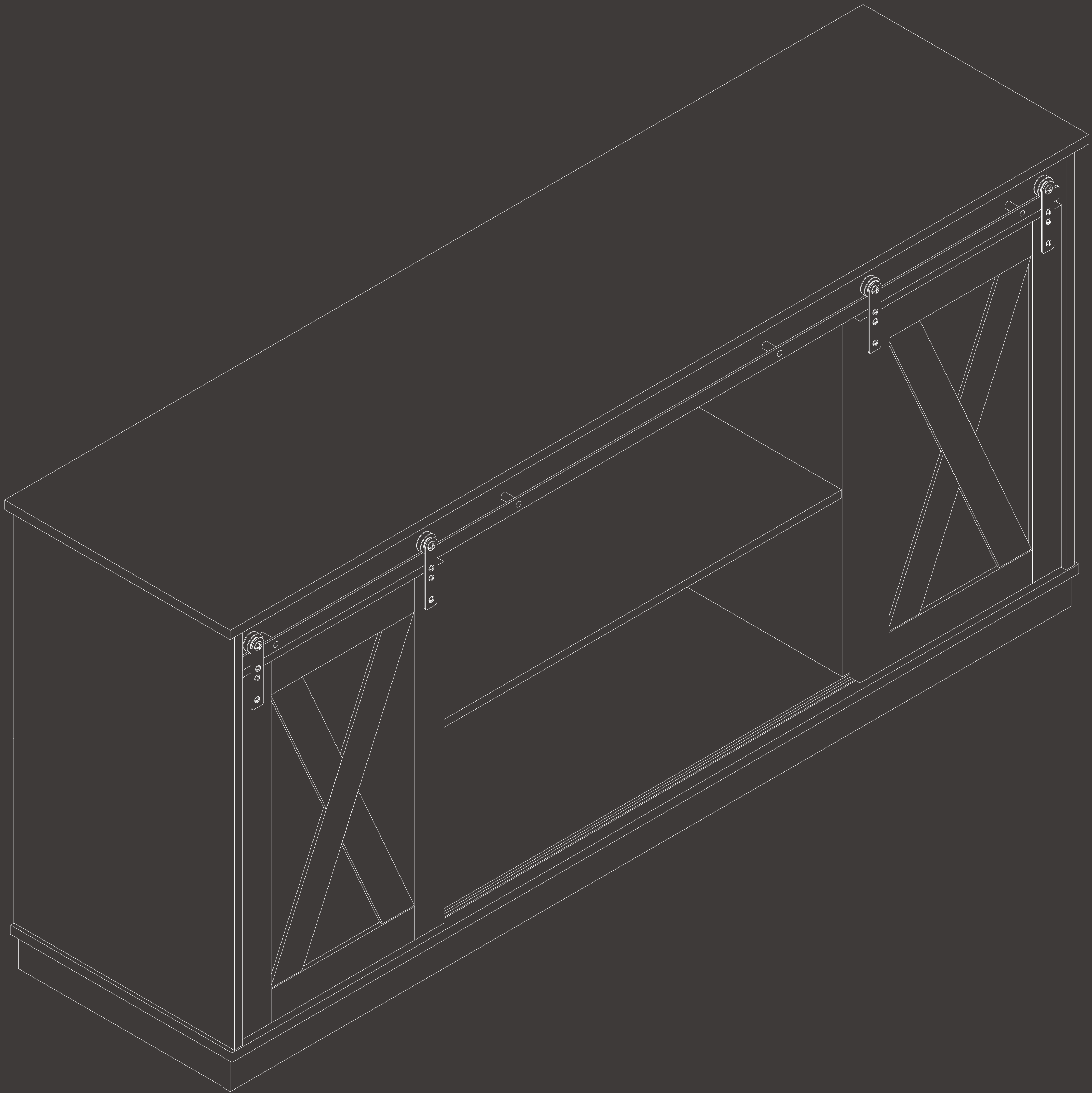
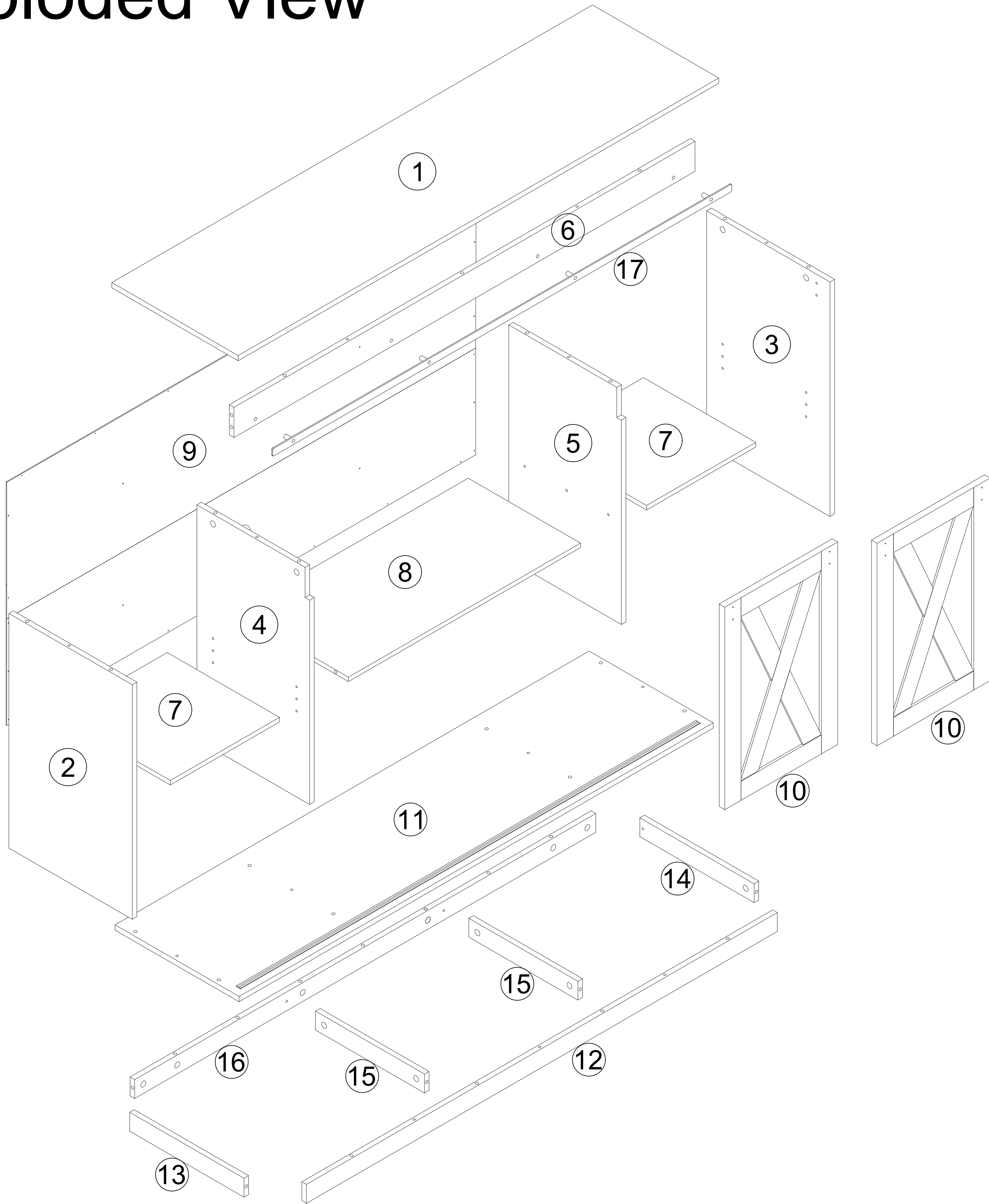


TV Stand

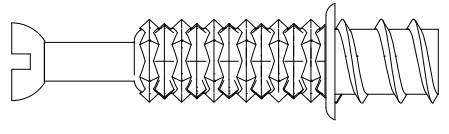
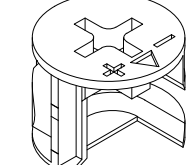
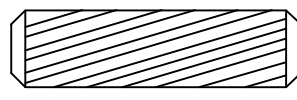
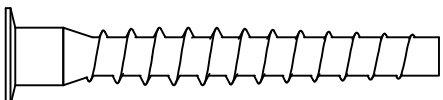

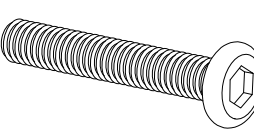
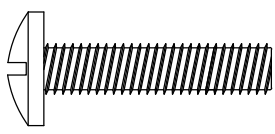
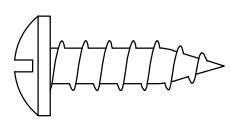

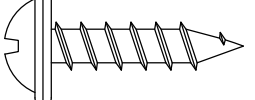
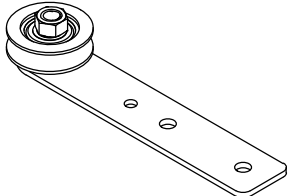
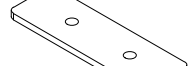
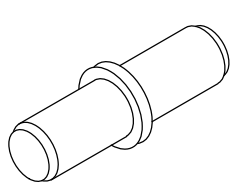
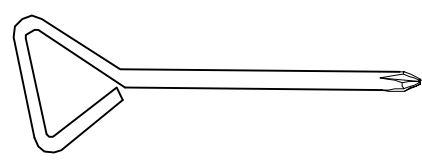
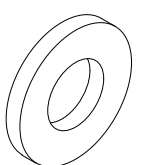
Instruction Manual



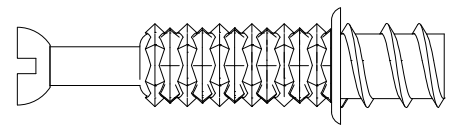
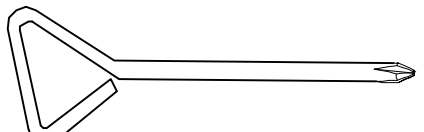
Exploded View

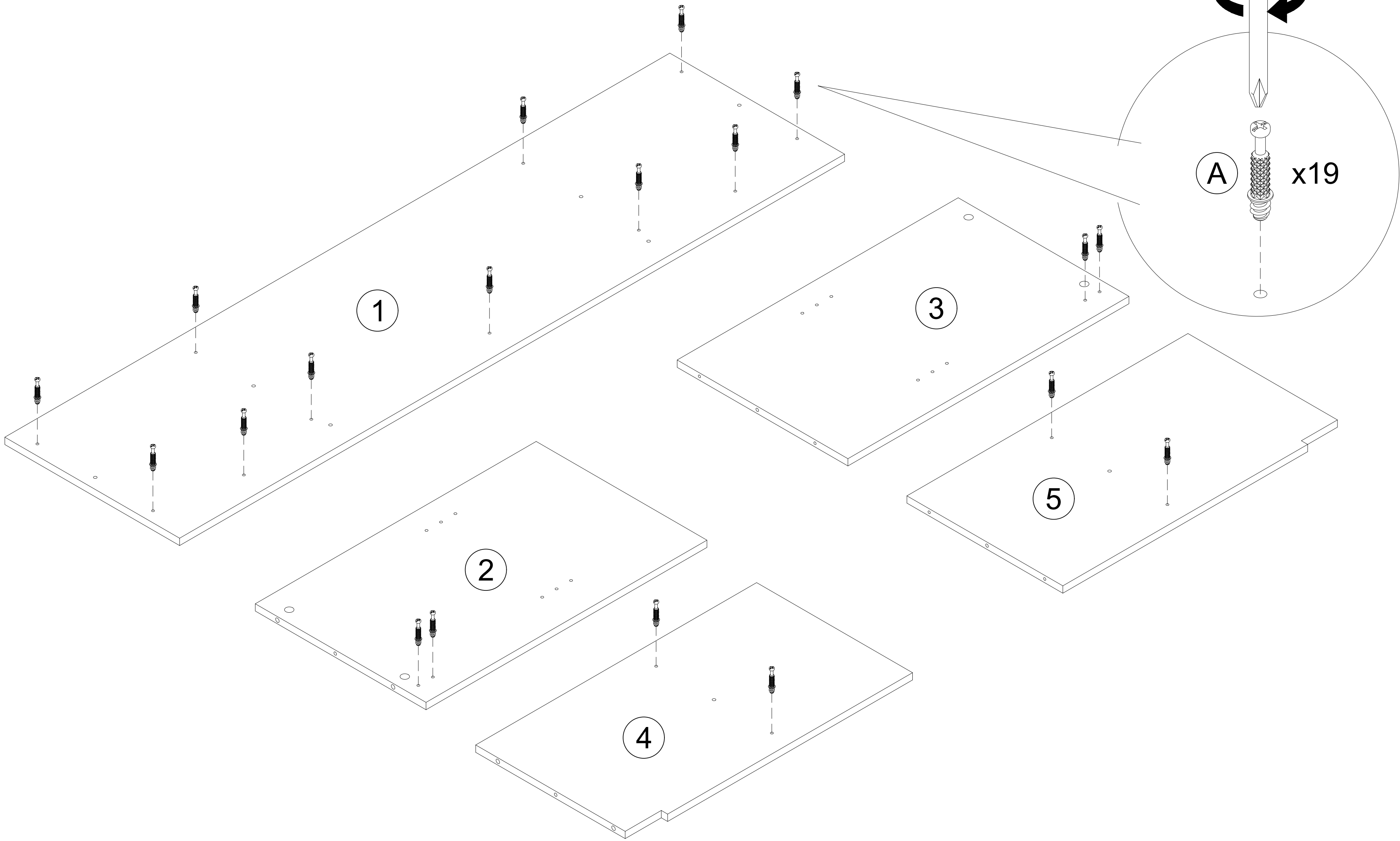


Hardware Identification

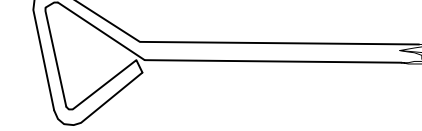
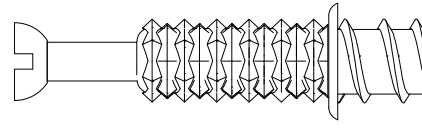
A	x35+2	B	x35+2	C	x18+1	D	x8+1	E	x1	F	x4	G	x4	H	x16+1
															
φ6x33		φ15x10		φ8x30		φ7x40		M4		1/4" *38mm		5/32"*15mm		4*14mm	
I	x22+2	J	x8	K	x4	L	x4	M	x8	N	x1	O	x4		
															
φ1.7x16mm		3 *14mm		105*26*18mm		72*20*3mm		φ5 *15mm		72*30*5mm		φ14 *2mm			

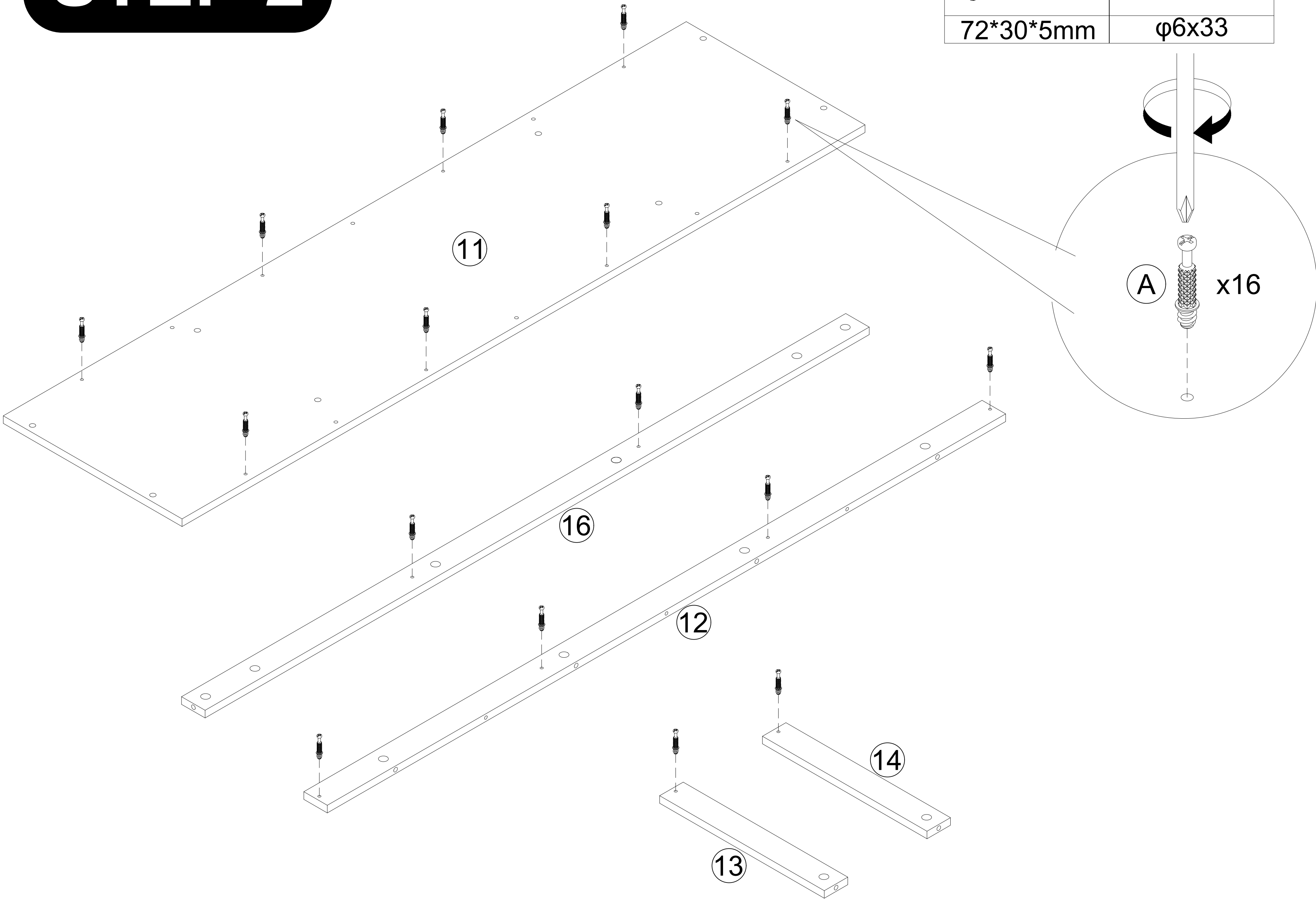
STEP 1

A	x19	N	x1
			
$\phi 6 \times 33$		72*30*5mm	

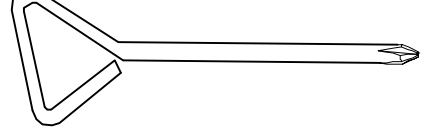
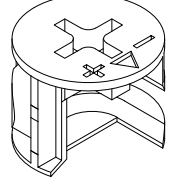
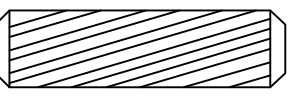


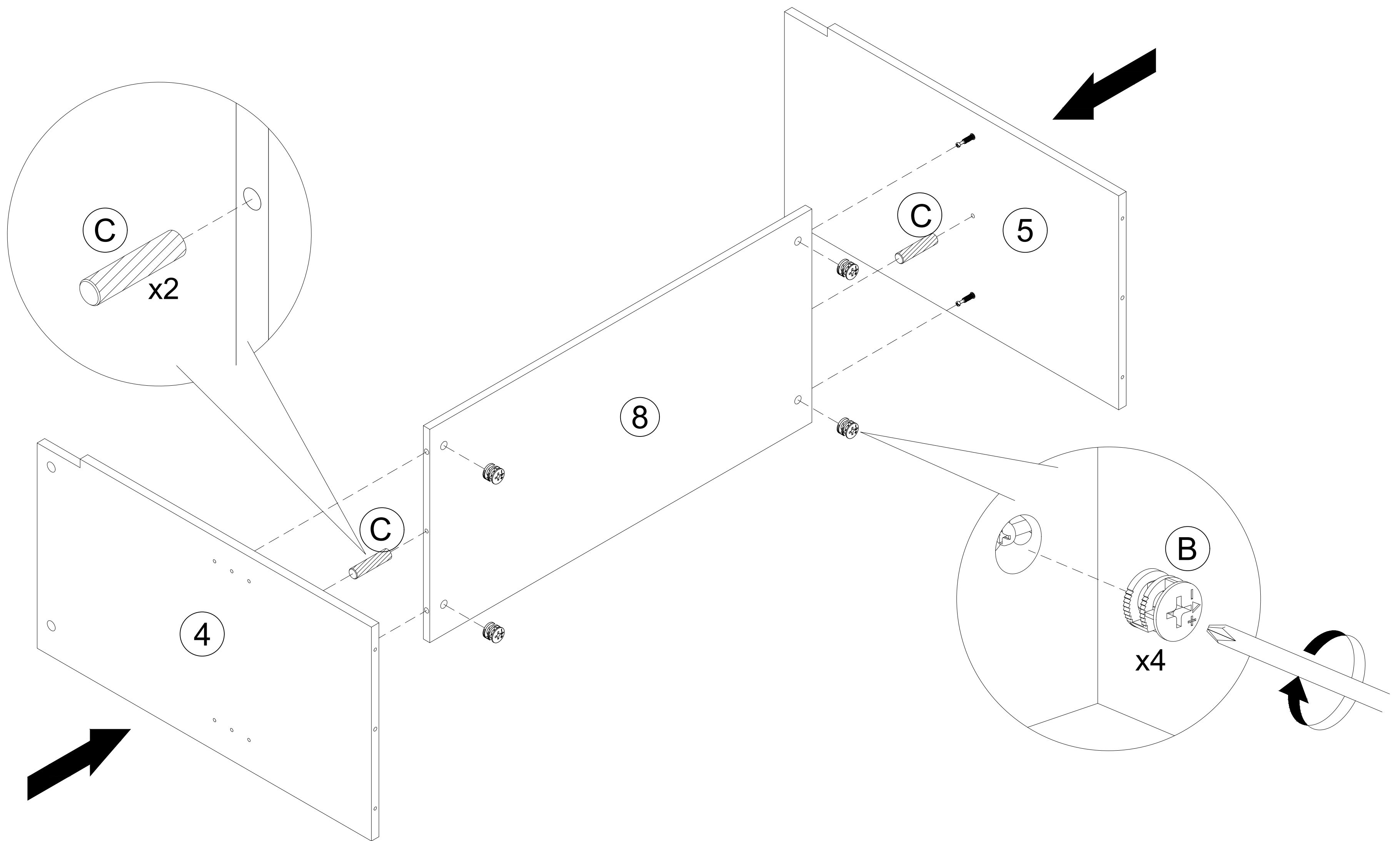
STEP 2

N	x1	A	x16
			
72*30*5mm		$\phi 6 \times 33$	

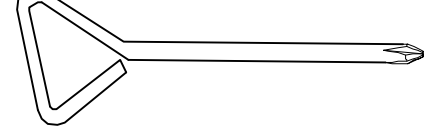
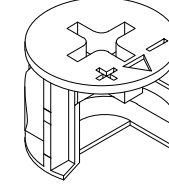


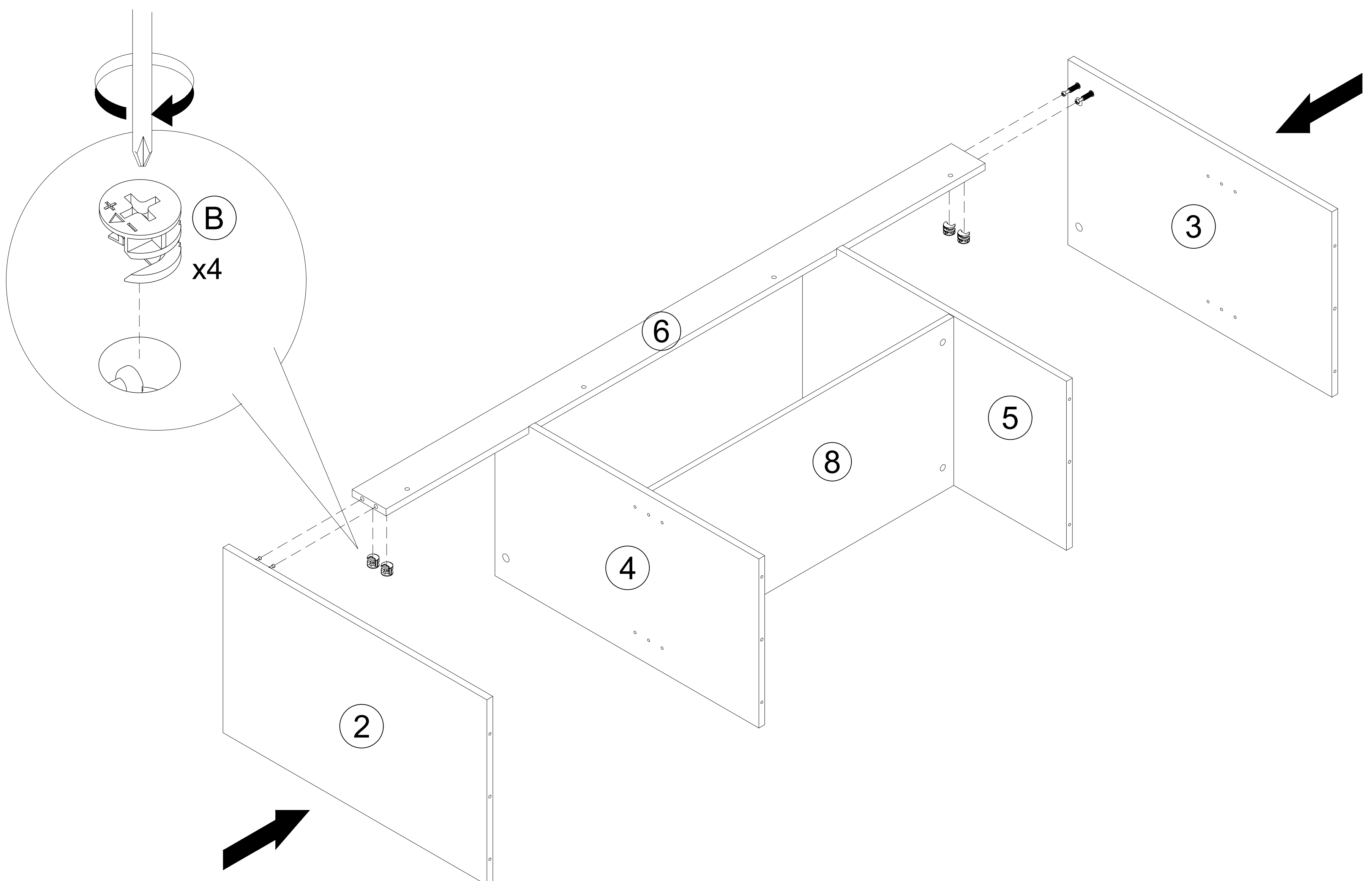
STEP 3

N	x1	B	x4	C	x2
					
72*30*5mm		φ15x10		φ8x30	

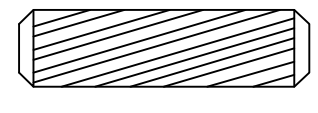
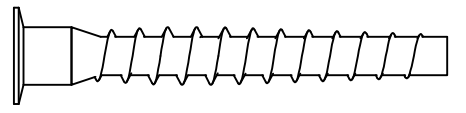



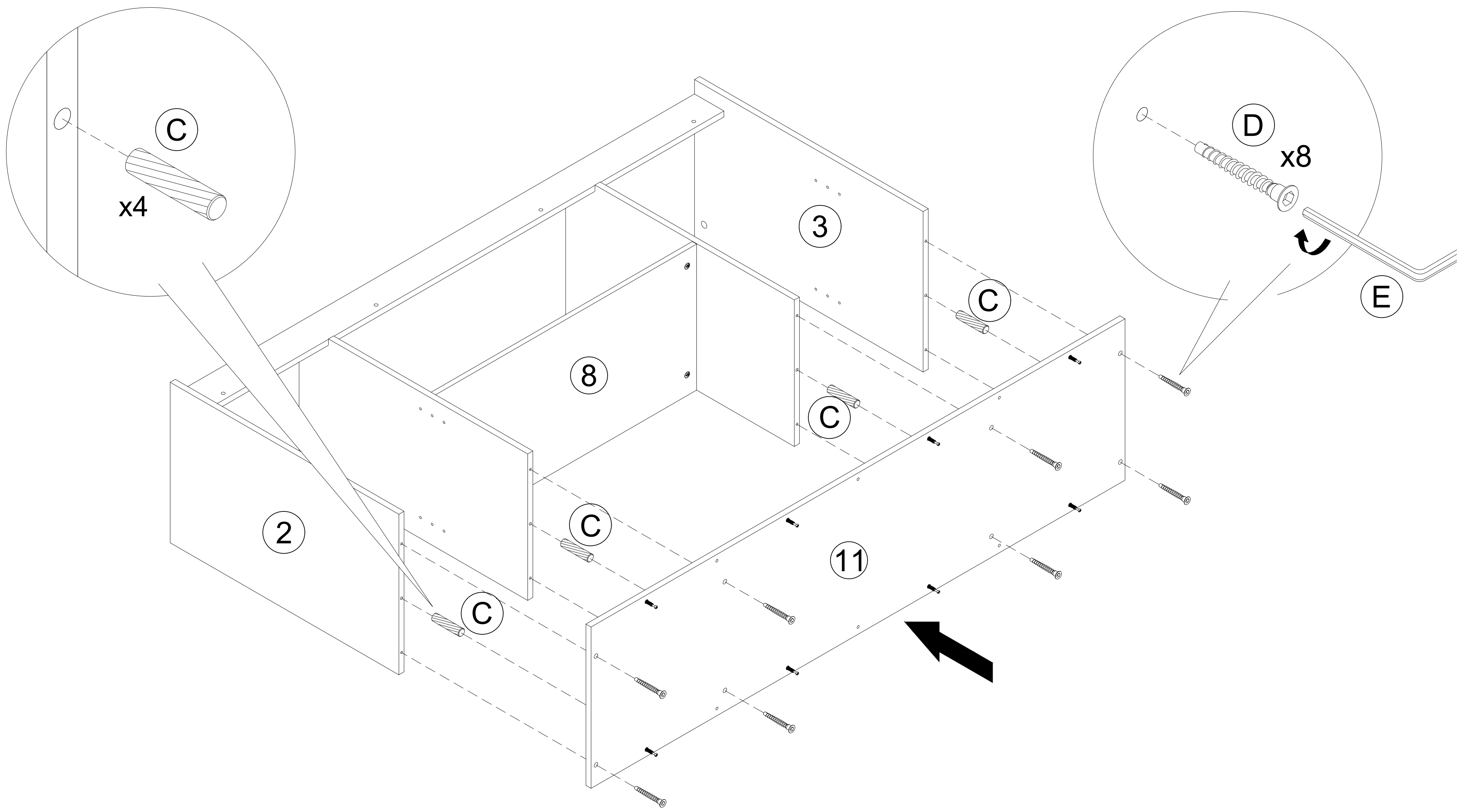
STEP 4

N	x1	B	x4
			
72*30*5mm		φ15x10	

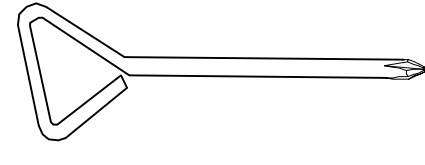
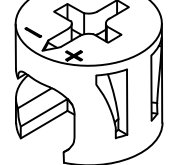


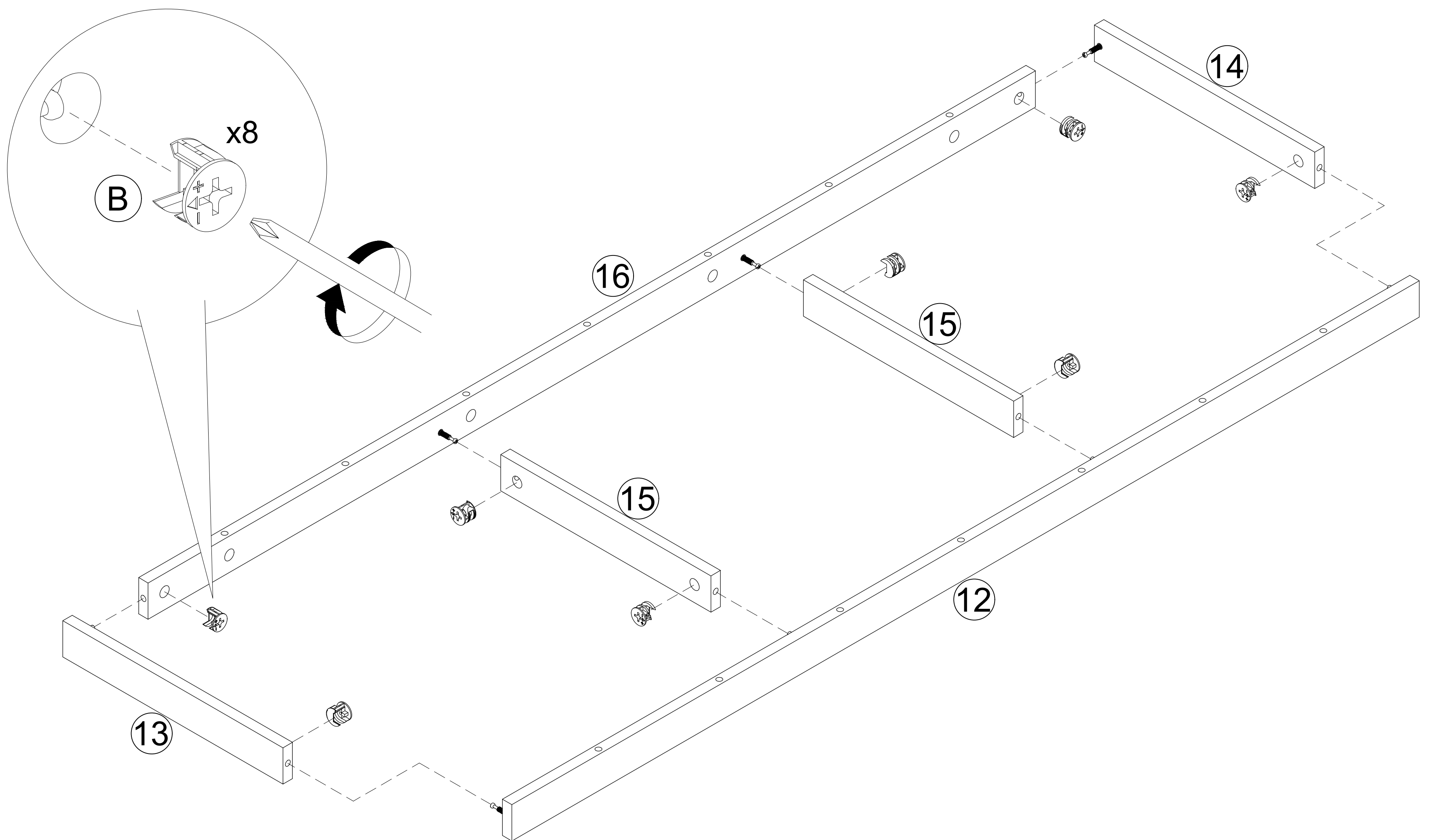
STEP 5

C	x4	D	x8	E	x1
					
φ8x30		φ7x45		M4	

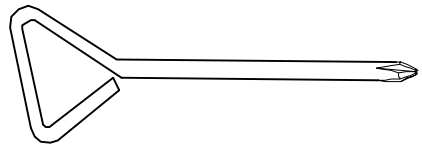
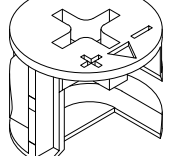



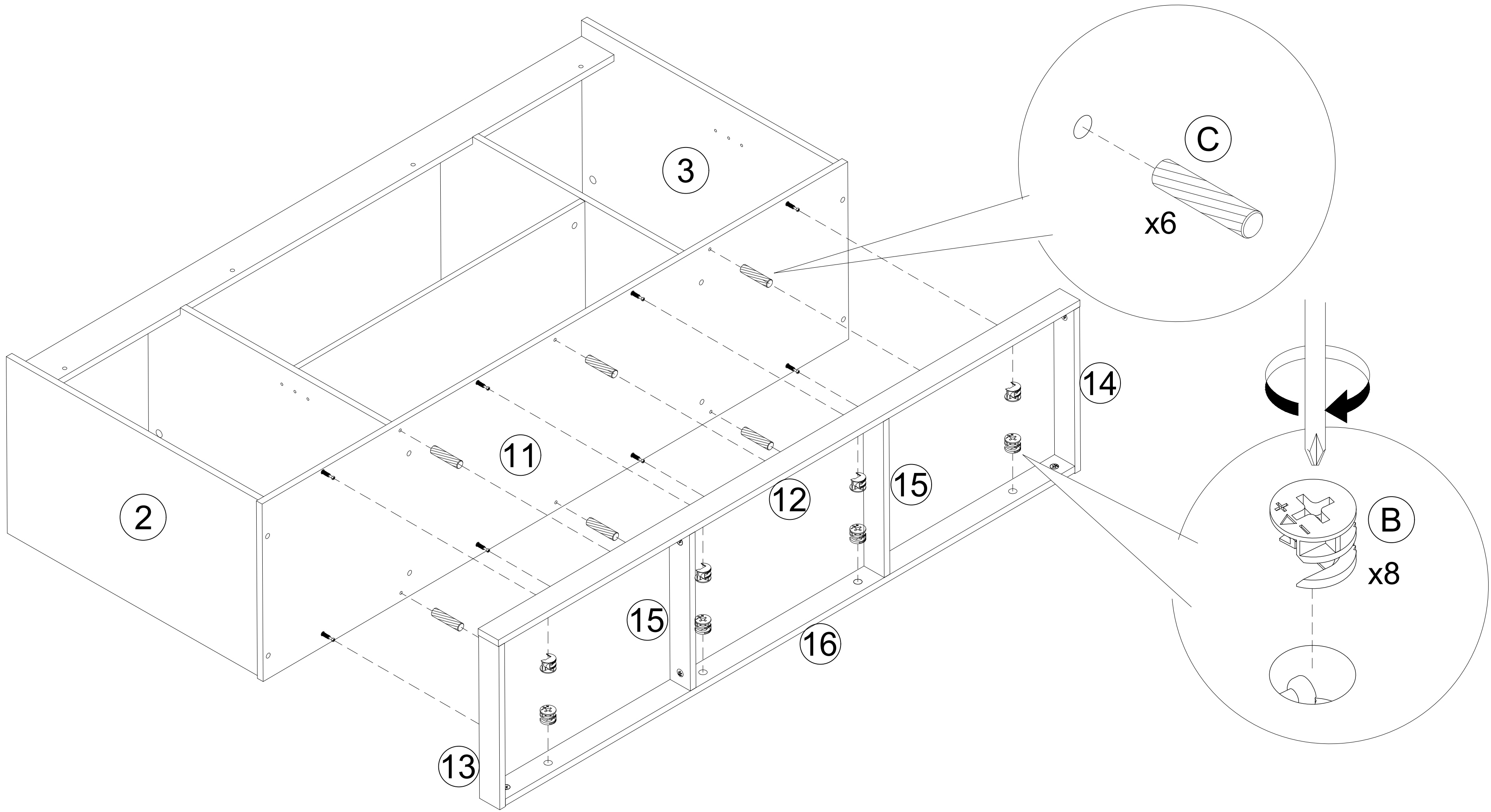
STEP 6

N	x1	B	x8
			
72*30*5mm		φ15x12	

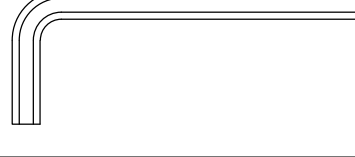
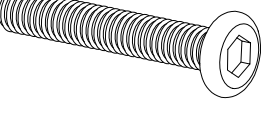
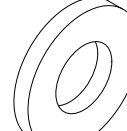


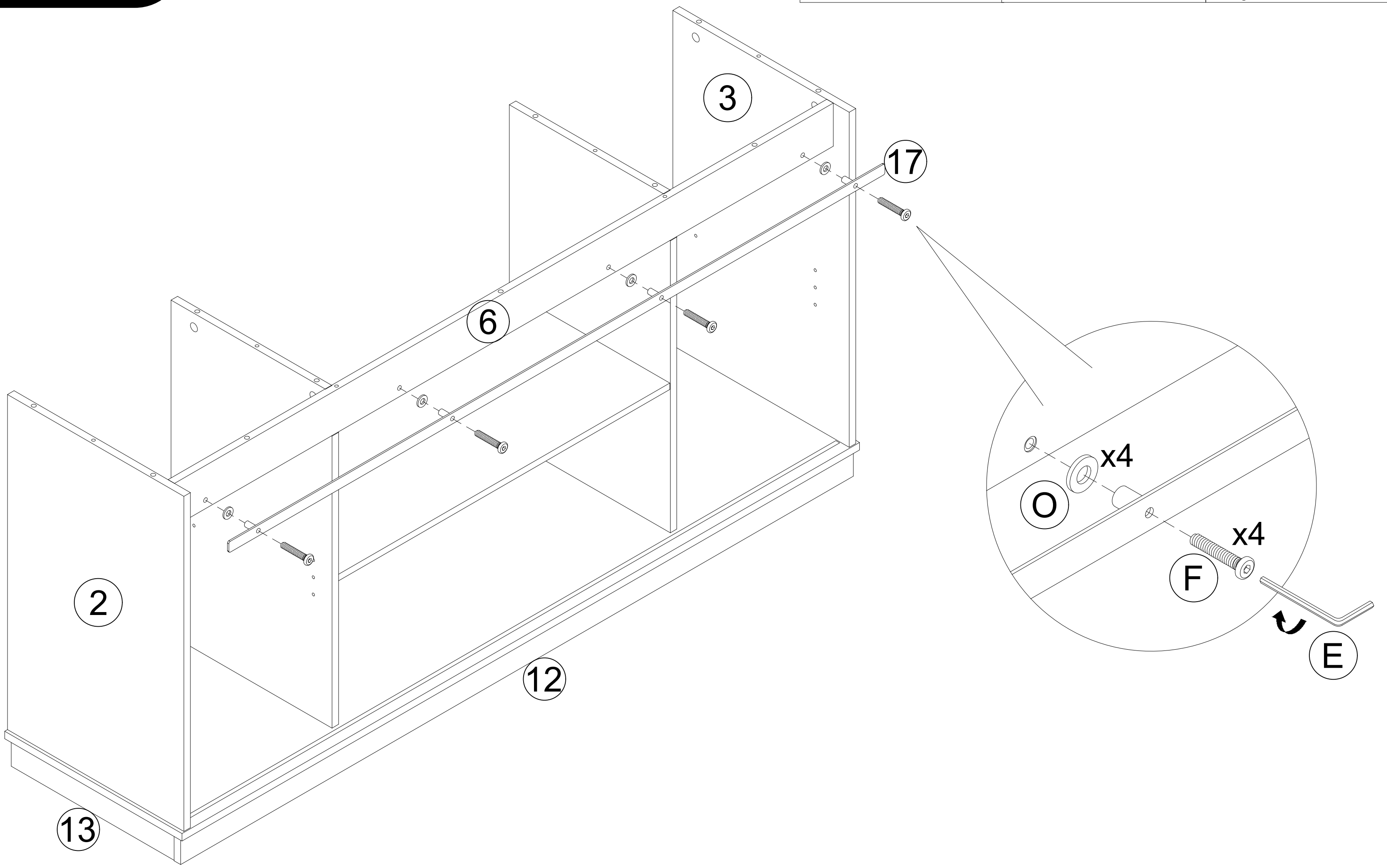
STEP 7

N	x1	B	x8	C	x6
					
72*30*5mm		φ15x10		φ8x30	

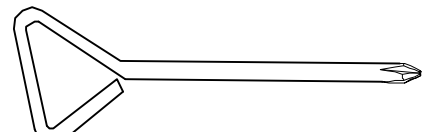
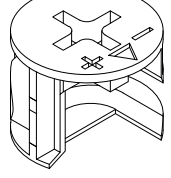
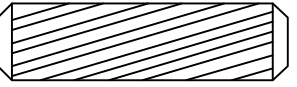


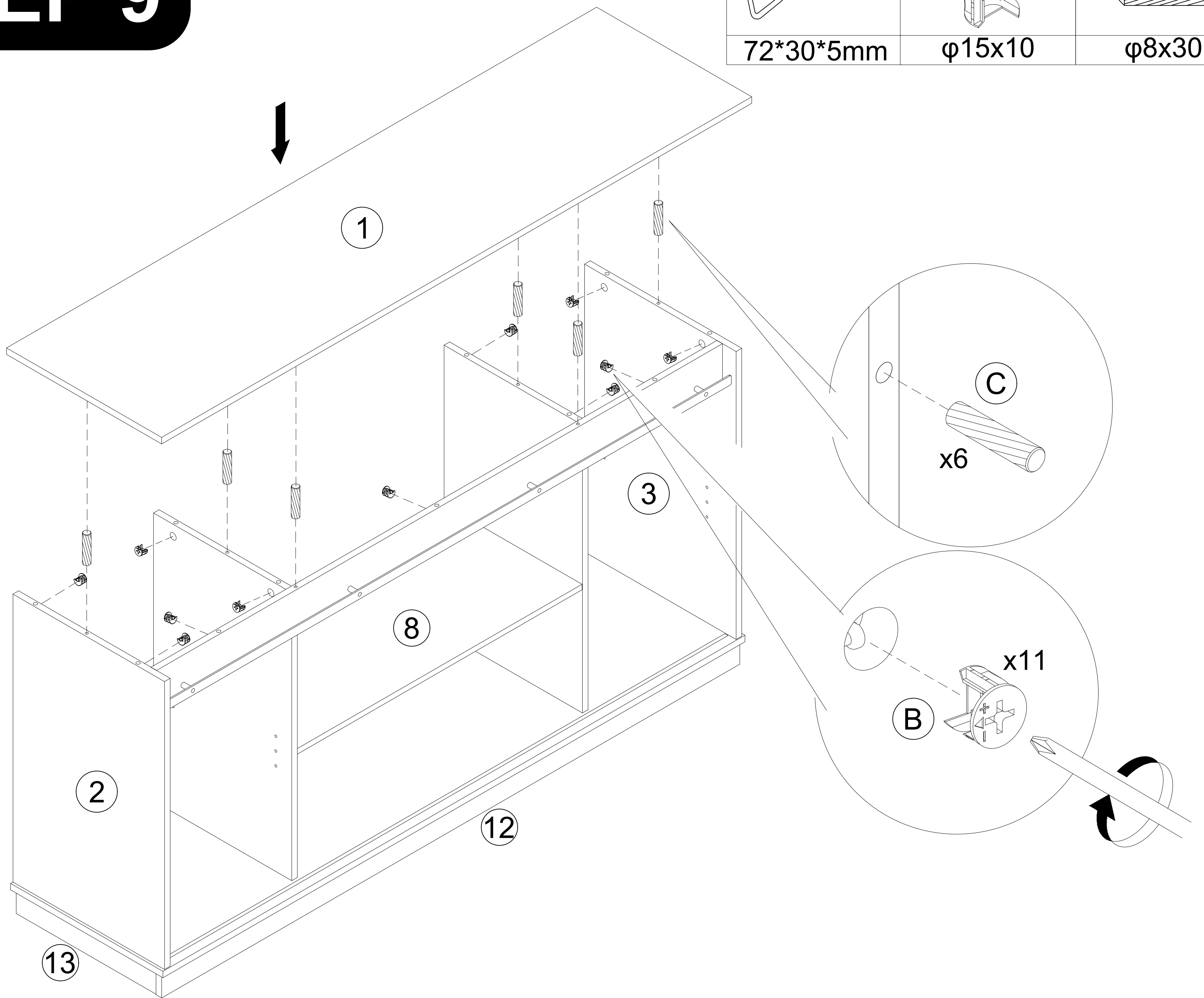
STEP 8

E	x1	F	x4	O	x4
					
M4		1/4" *38mm		φ16 *2mm	


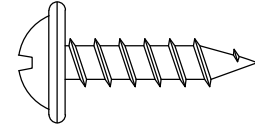
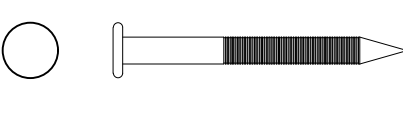


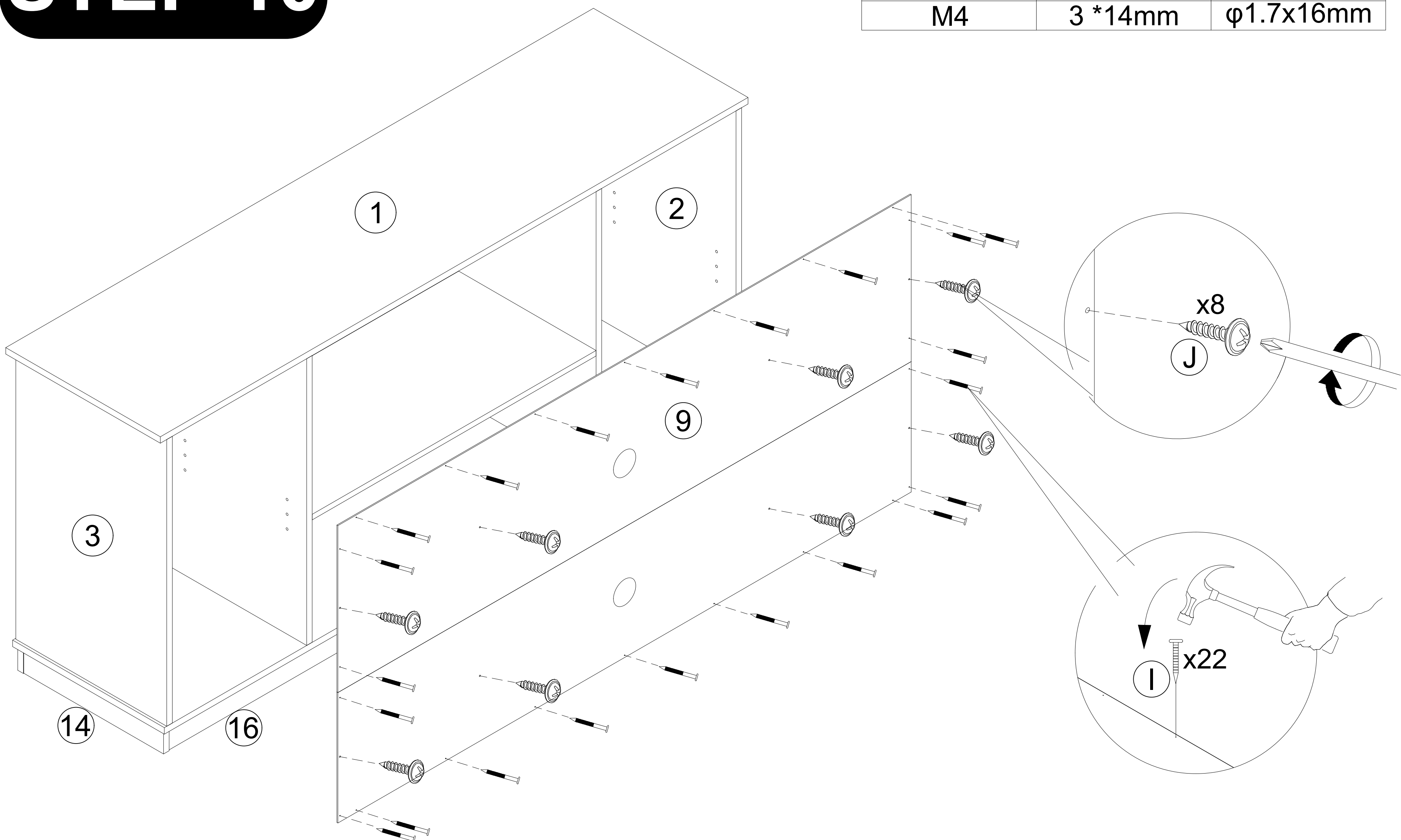
STEP 9

N	x1	B	x11	C	x6
					
72*30*5mm		φ15x10		φ8x30	

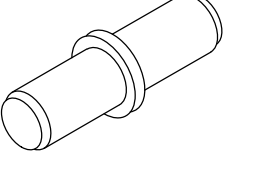


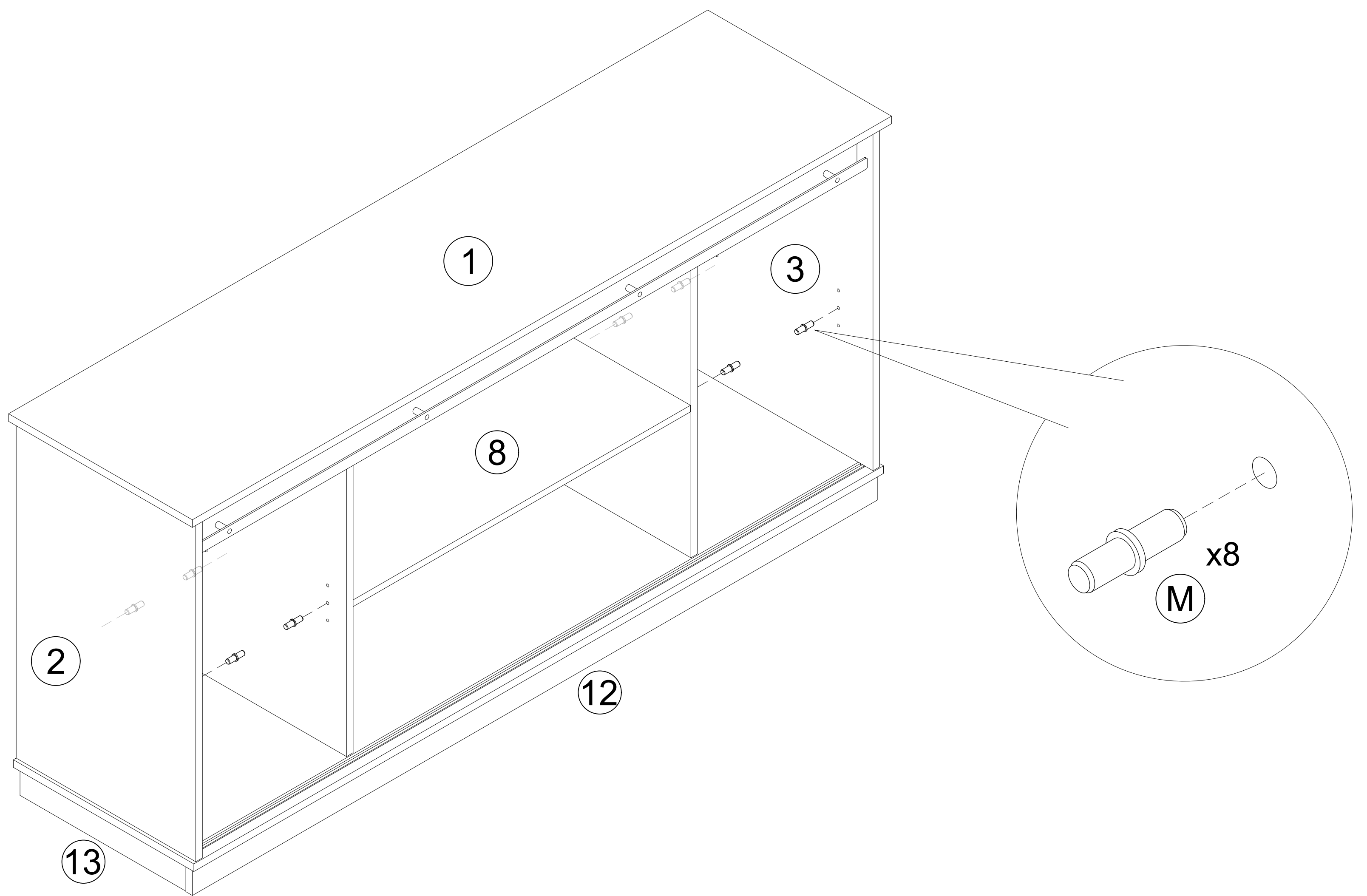
STEP 10

E	x1	J	x8	I	x22
					
M4		3 *14mm		φ1.7x16mm	

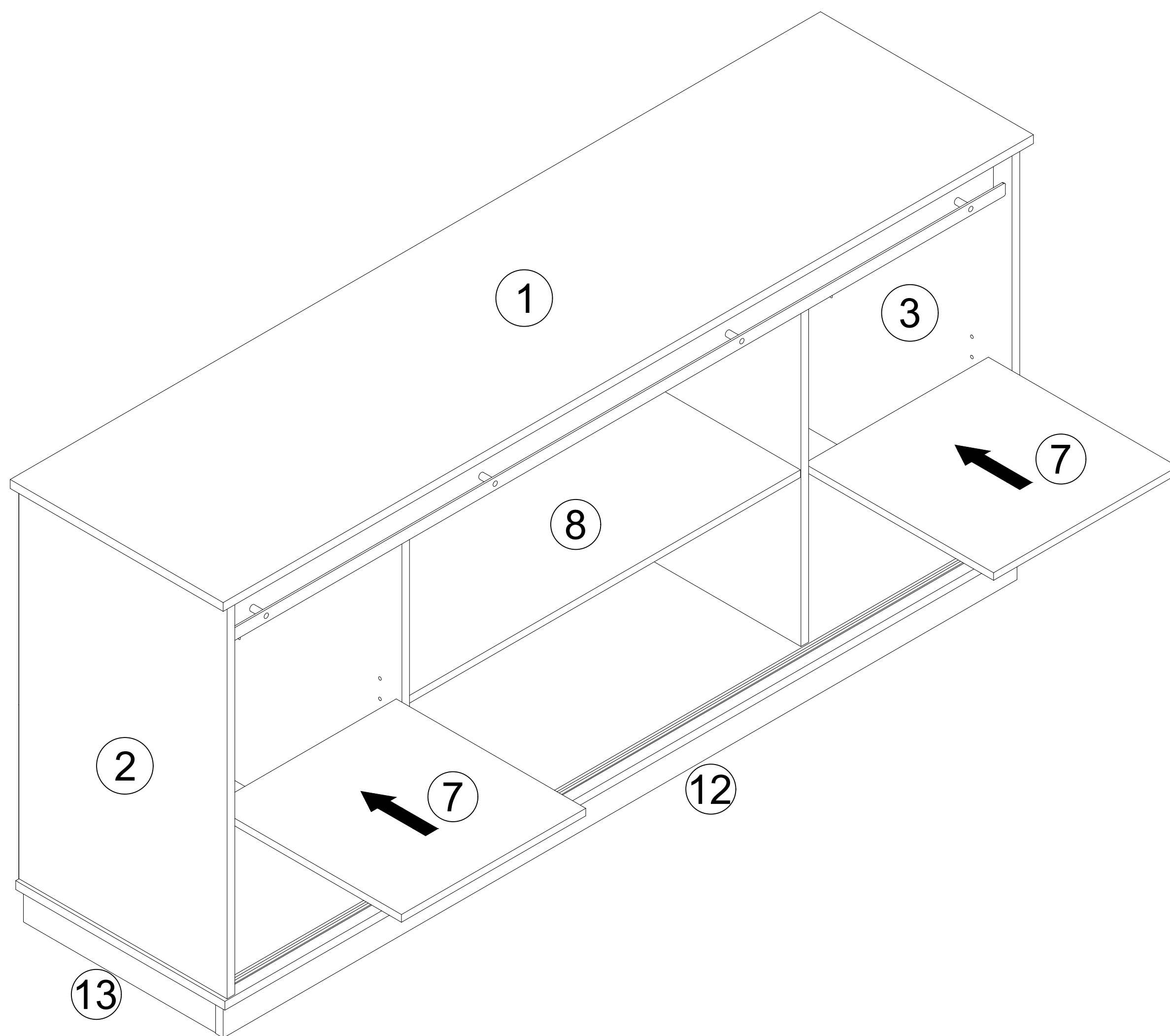


STEP 11

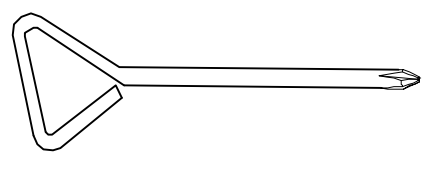
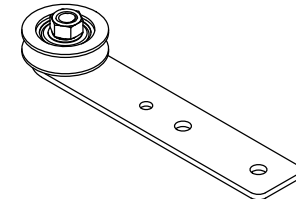
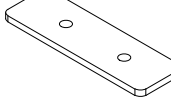
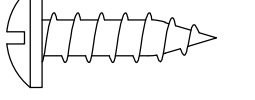
M	x8
	
φ5 *15mm	

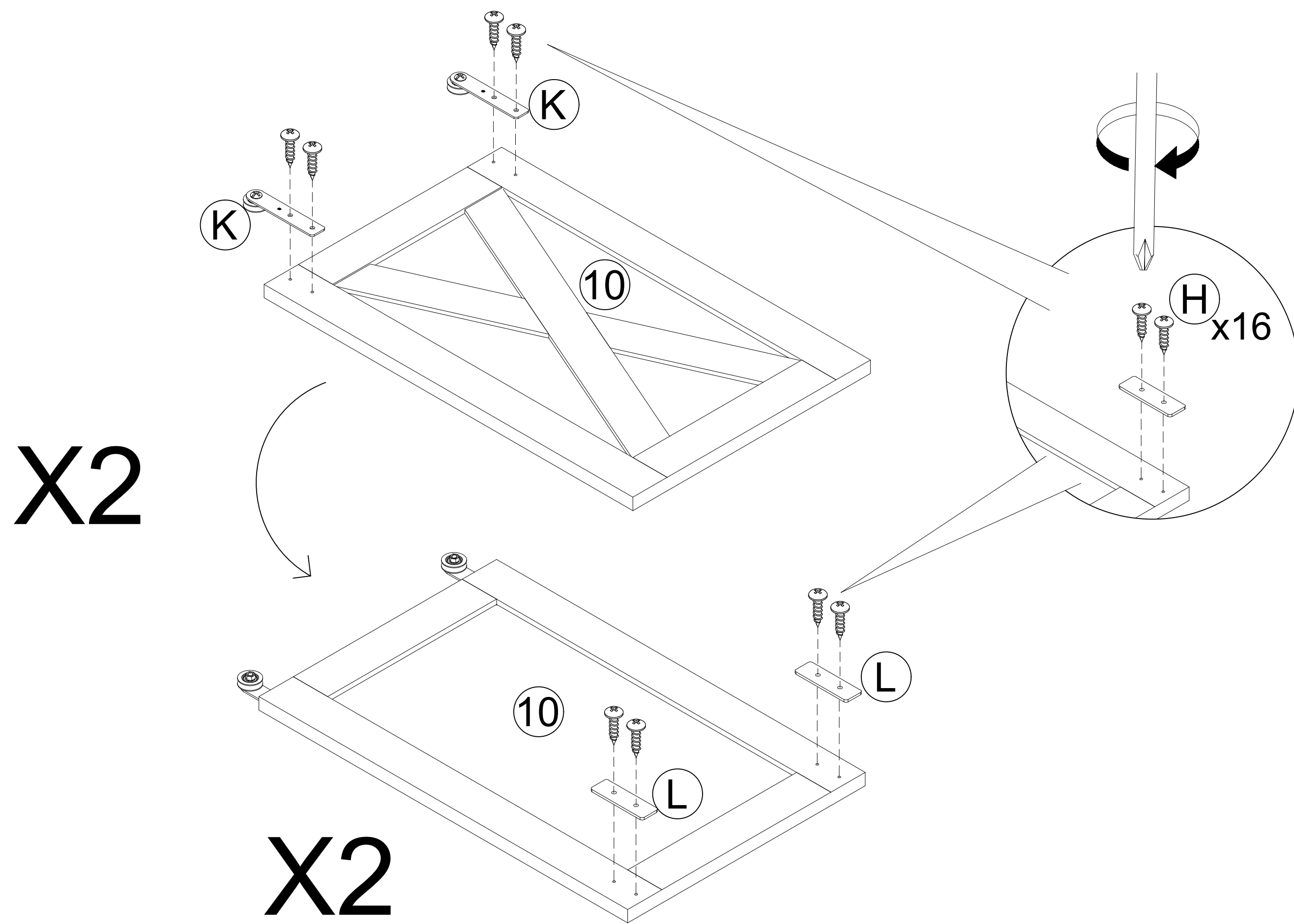


STEP 12

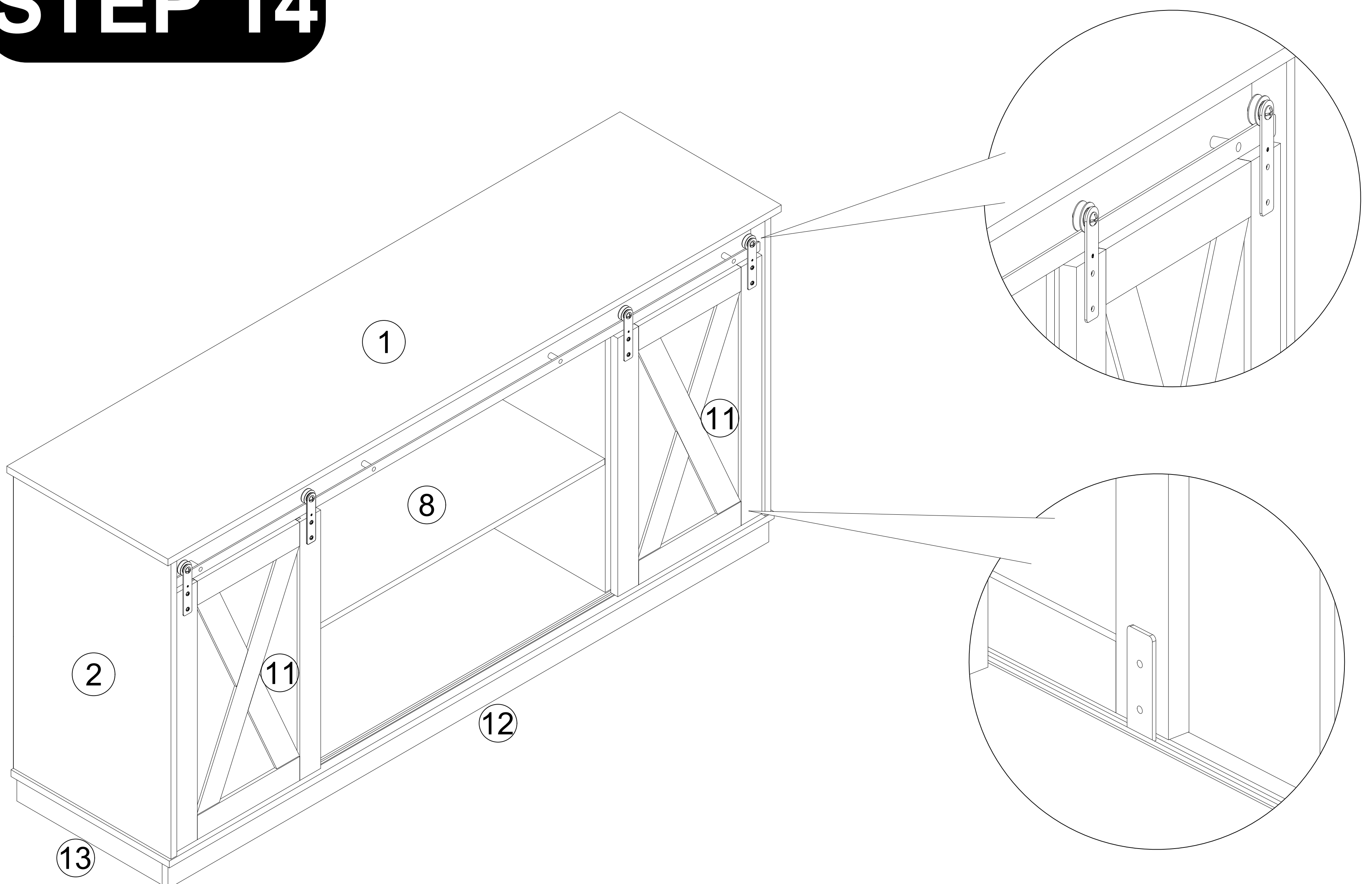


STEP 13

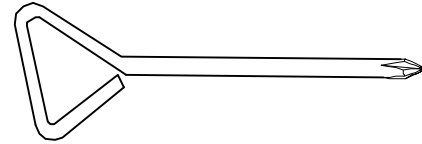
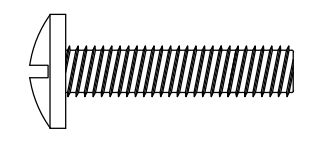
N	x1	K	x4	L	x4	H	x16
							
72*30*5mm		105*26*18mm		72*20*3mm		4*14mm	



STEP 14



STEP 15

N	x1	G	x4
			
72*30*5mm		M4*15mm	

