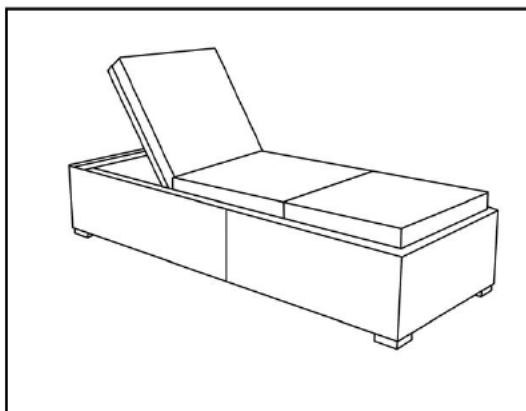
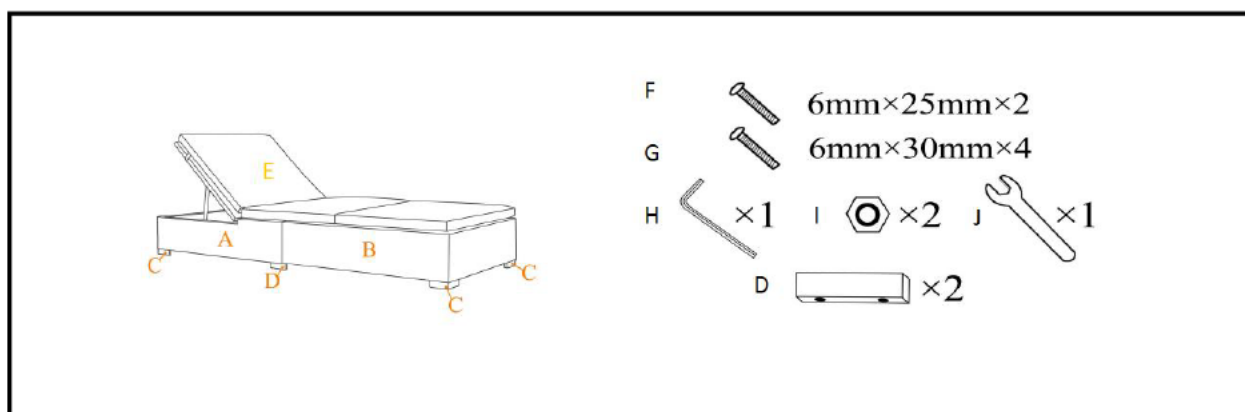


Chaise Lounge

CHAISE LOUNGE ASSEMBLY INSTRUCTION

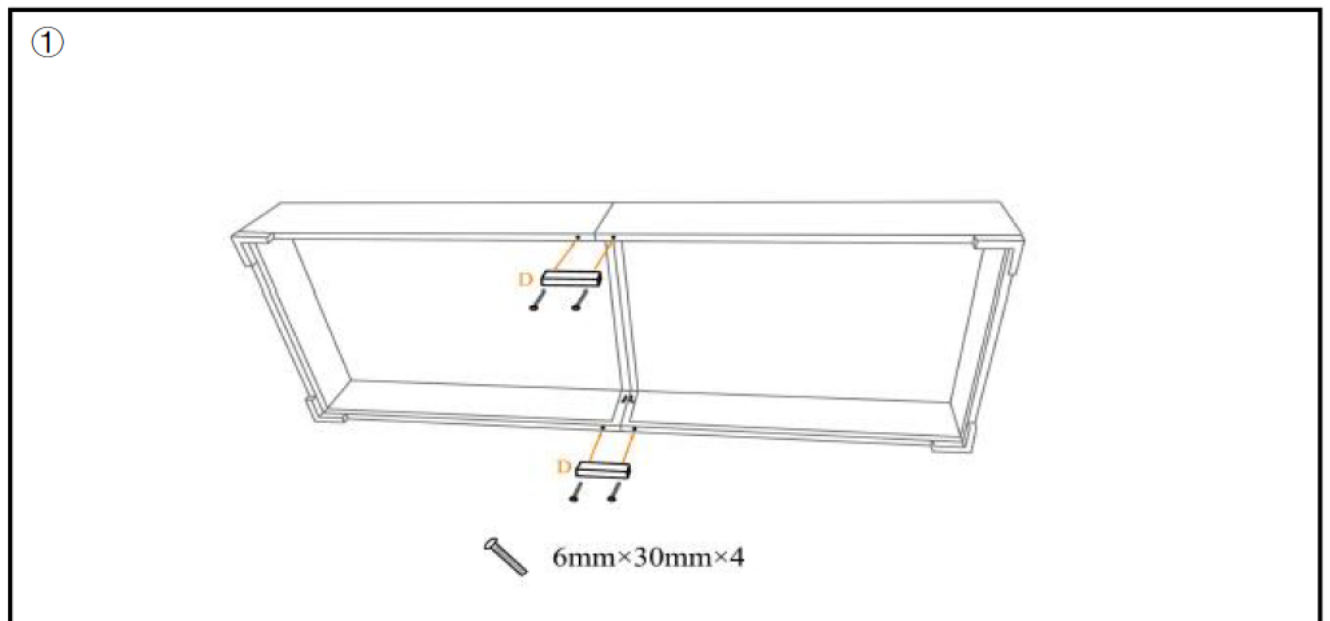


Part	DESCRIPTION	Quantity
PARTS LIST		
<i>PARTS</i>		
A	Chaise Lounge Main Part(Rear)	1
B	Chaise Lounge Main Part(Front)	1
C	Chaise Lounge Feet(Corner)	4
D	Chaise Lounge Feet(Middle)	2
E	Chaise Lounge Cushion	1
<i>HARDWARE</i>		
F	Bolts 6*25mm	2
G	Bolts 6*30mm	4
H	Allen Key	1
I	Nut	2
J	Hexagon Spanner	1

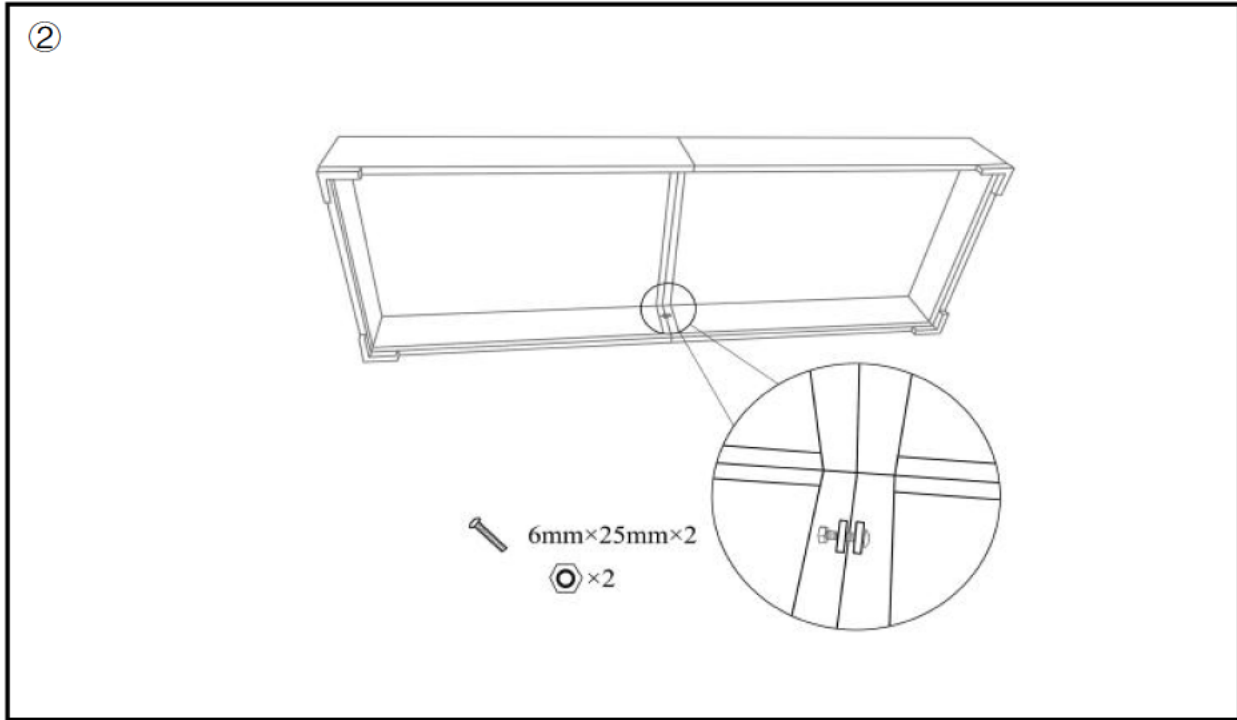


PLEASE READ AND FOLLOW ALL SAFETY TIPS

1. Locate Chaise Lounge Feet(Middle) (D) by the pre-drilled threads within both chaise lounge main parts (A & B). Fasten Bolts(G) with Allen Key (H). (Photo ①).



2. Find threads within both chaise lounge main parts' joining place (left & right). Fasten bolts (F) into nuts (I) with Allen Key (H) and Hexagon Spanner (J) to combine both parts together. (Photo ②).



3. Put Chaise Lounge Cushion on top of the lounge.

Now you have finished the whole assembly, enjoy your chaise lounge.