

ASSEMBLY INSTRUCTIONS



SECTIONAL

ASSEMBLY INSTRUCTIONS

ASSEMBLY TIPS:

- 1.Remove hardware from box and sort by size.
- 2.Please check to see that all hardware and parts are present prior to start of assembly.
- 3.Please follow attached instruction in the same sequence as numbered to assure fast & easy assembly.



WARNING!

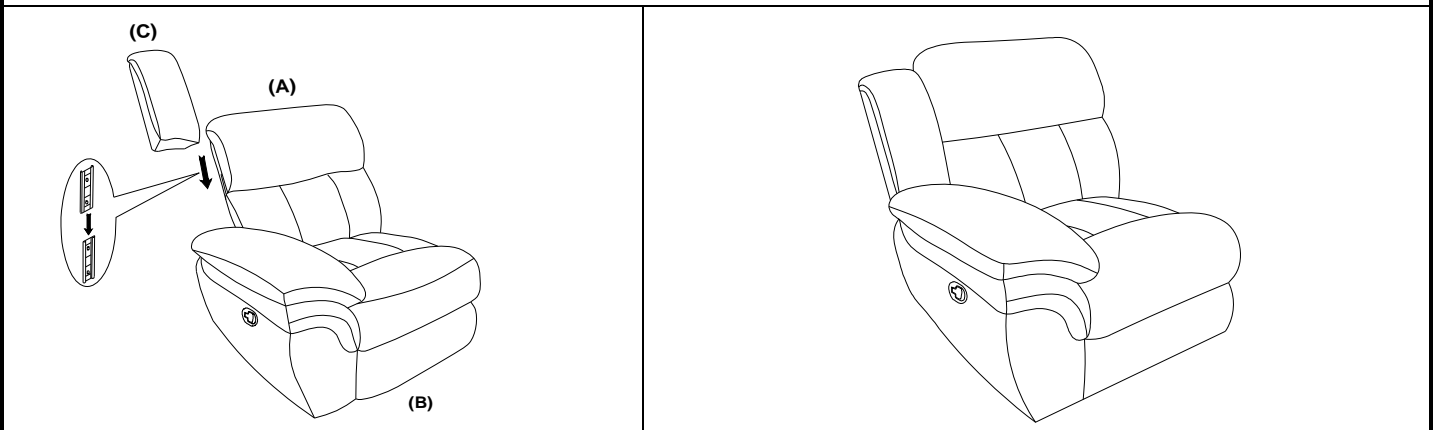
- 1.Don't attempt to repair or modify parts that are broken or defective. Please contact the store immediately.
- 2.This product is for home use only and not intended for commercial establishment.



ASSEMBLY TIME

2 MINUTES

PARTS IDENTIFICATION



A BACK



1PC

B BASE



1PC

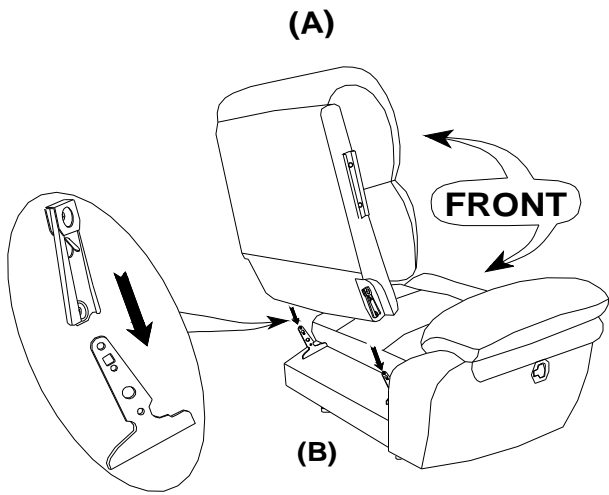
C LEFT EAR



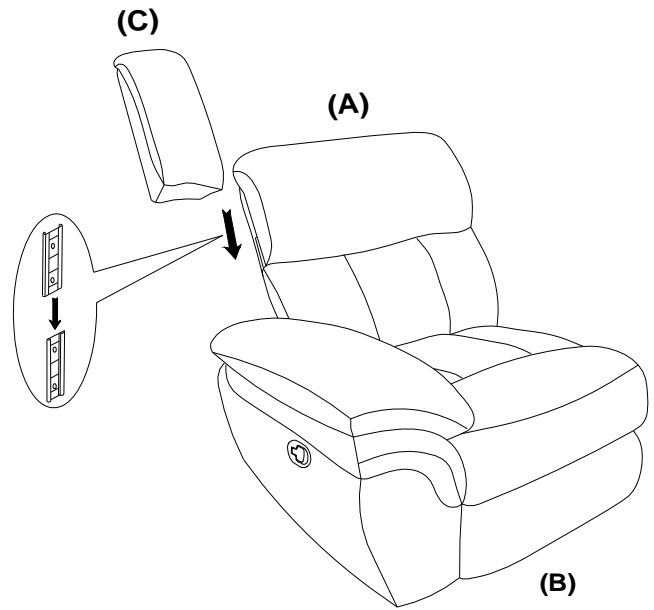
1PC

ASSEMBLY INSTRUCTIONS

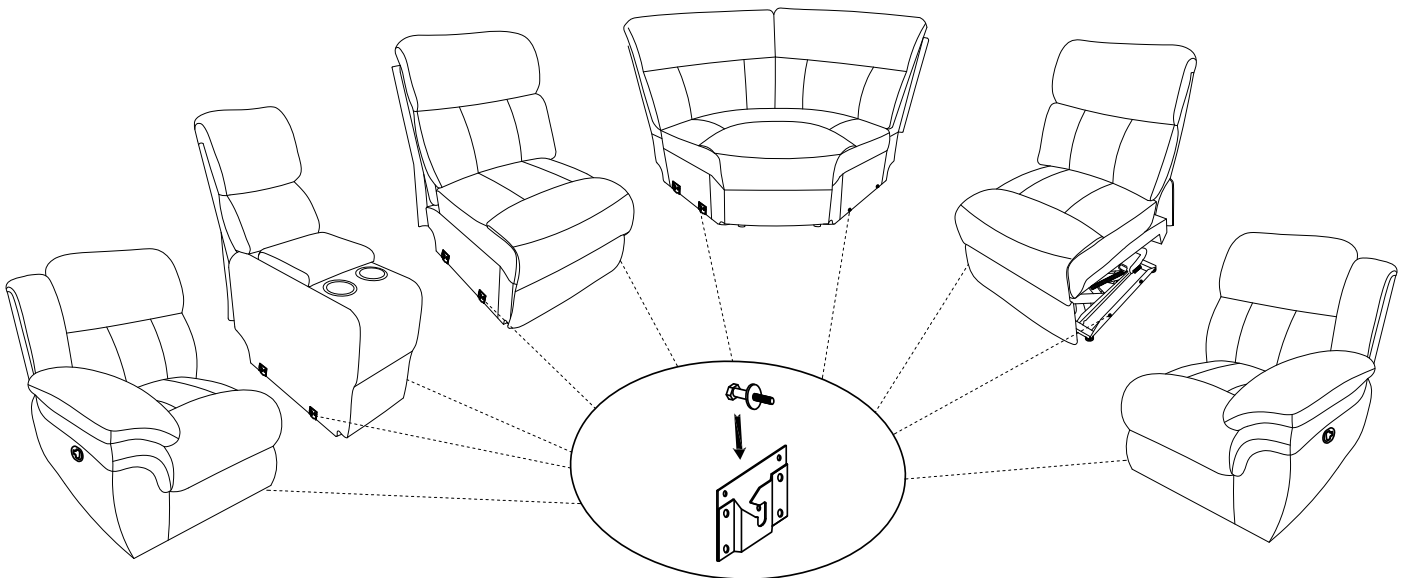
STEP 1



STEP 2



STEP 3



ASSEMBLY INSTRUCTIONS

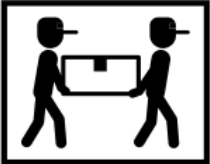
ASSEMBLY TIPS:

- 1.Remove hardware from box and sort by size.
- 2.Please check to see that all hardware and parts are present prior to start of assembly.
- 3.Please follow attached instruction in the same sequence as numbered to assure fast & easy assembly.



WARNING!

- 1.Don't attempt to repair or modify parts that are broken or defective. Please contact the store immediately.
- 2.This product is for home use only and not intended for commercial establishment.

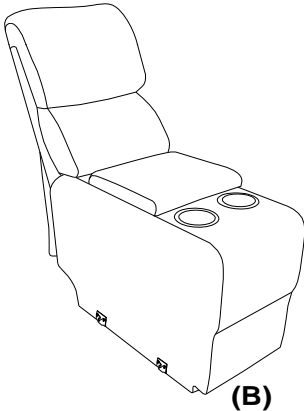


ASSEMBLY TIME

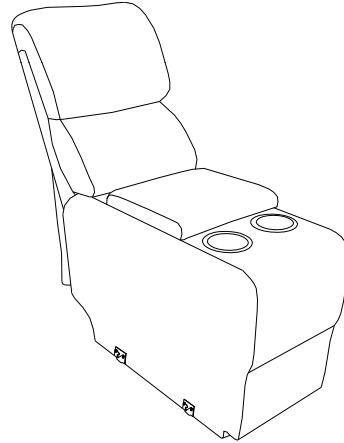
2 MINUTES

PARTS IDENTIFICATION

(A)



(B)



A

BACK



1PC

B

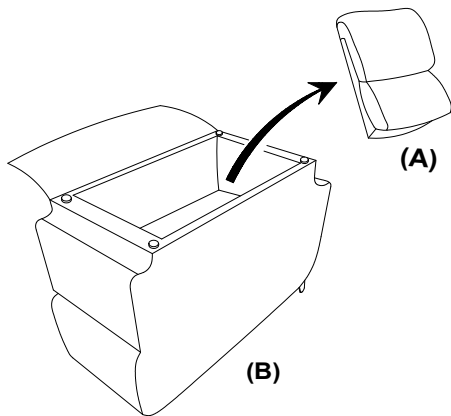
BASE OF CONSOLE



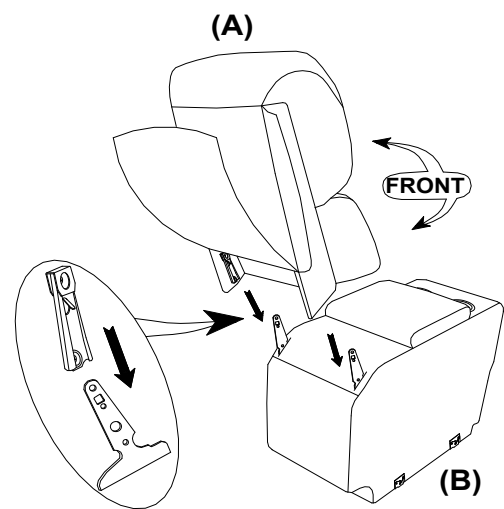
1PC

ASSEMBLY INSTRUCTIONS

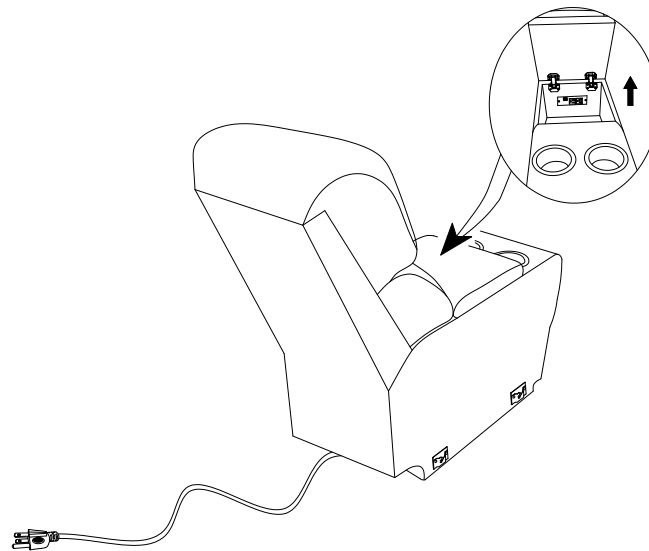
STEP 1



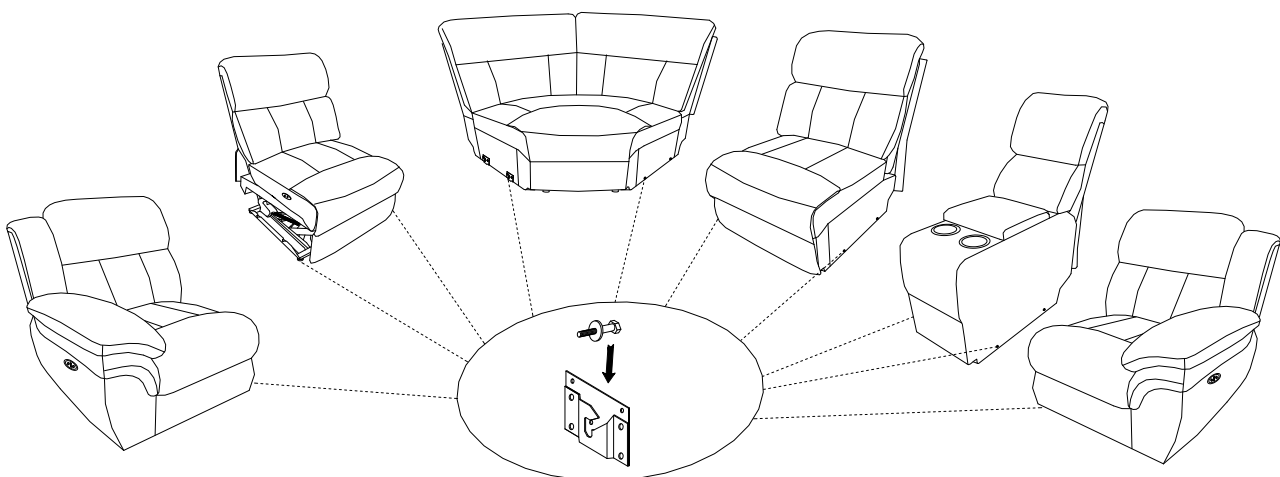
STEP 2



STEP 3



STEP 4



ASSEMBLY INSTRUCTIONS

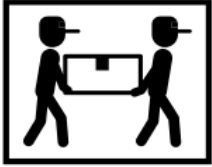
ASSEMBLY TIPS:

- 1.Remove hardware from box and sort by size.
- 2.Please check to see that all hardware and parts are present prior to start of assembly.
- 3.Please follow attached instruction in the same sequence as numbered to assure fast & easy assembly.



WARNING!

- 1.Don't attempt to repair or modify parts that are broken or defective. Please contact the store immediately.
- 2.This product is for home use only and not intended for commercial establishment.

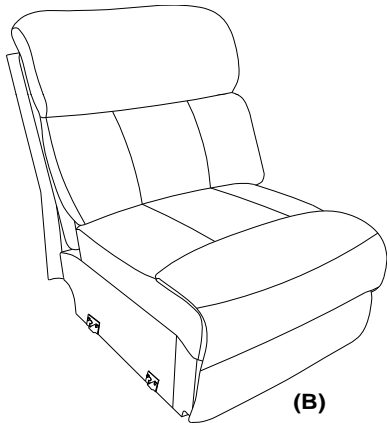


ASSEMBLY TIME

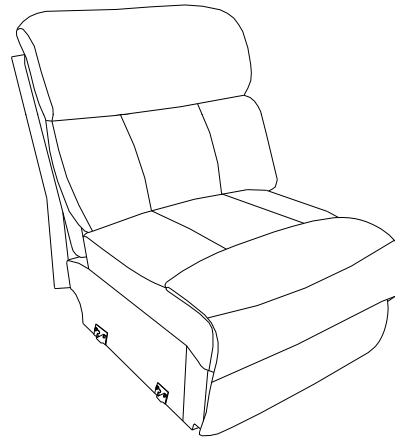
2 MINUTES

PARTS IDENTIFICATION

(A)



(B)



A BACK



1PC

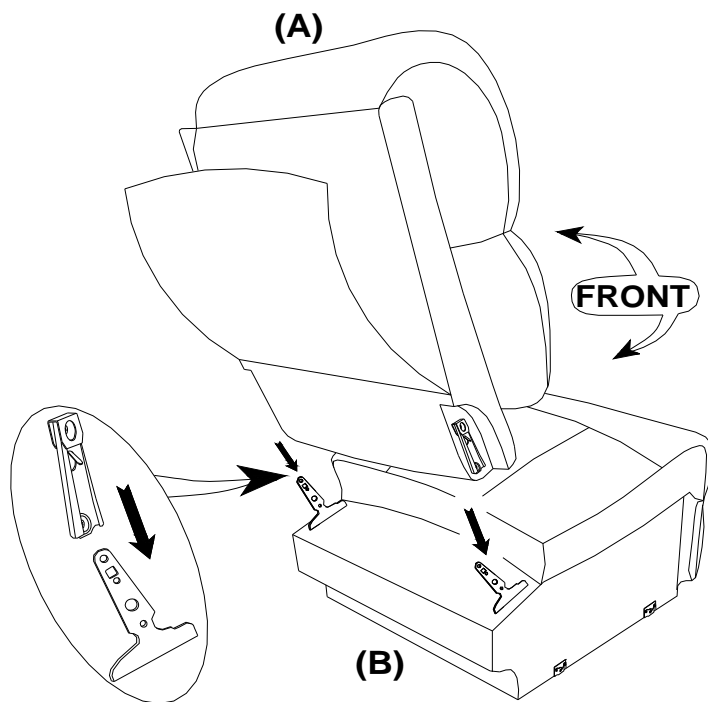
B BASE OF ARMLESS CHAIR



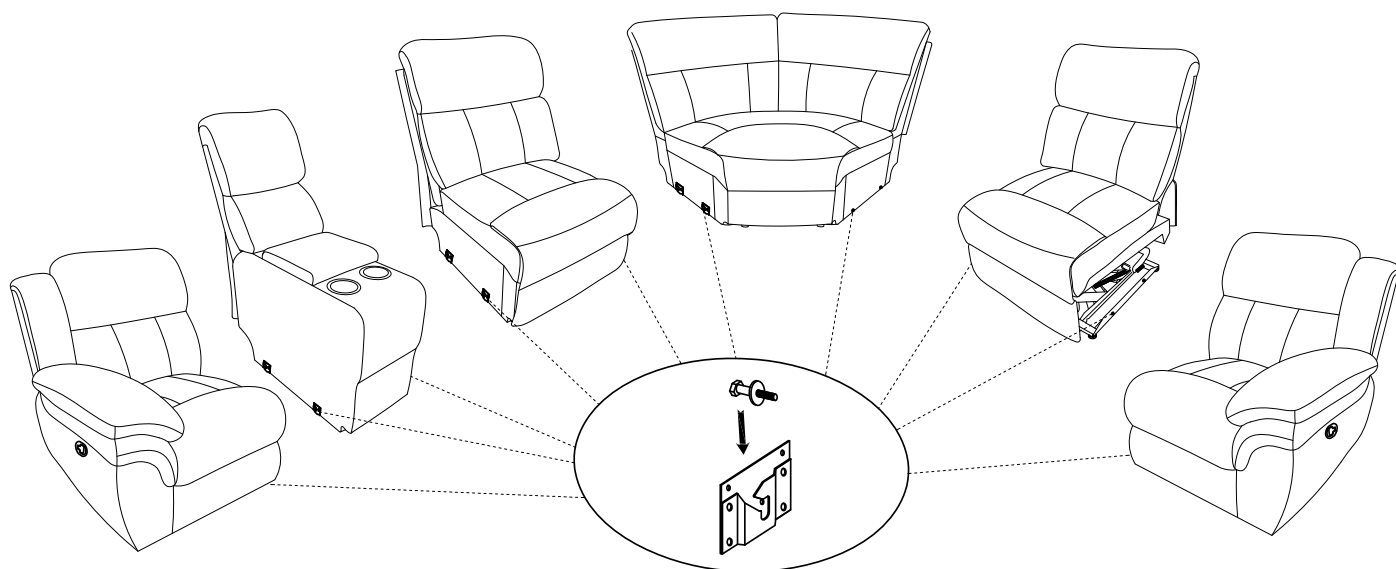
1PC

ASSEMBLY INSTRUCTIONS

STEP 1



STEP 2



ASSEMBLY INSTRUCTIONS

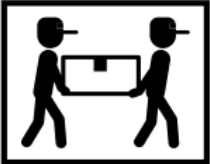
ASSEMBLY TIPS:

- 1.Remove hardware from box and sort by size.
- 2.Please check to see that all hardware and parts are present prior to start of assembly.
- 3.Please follow attached instruction in the same sequence as numbered to assure fast & easy assembly.



WARNING!

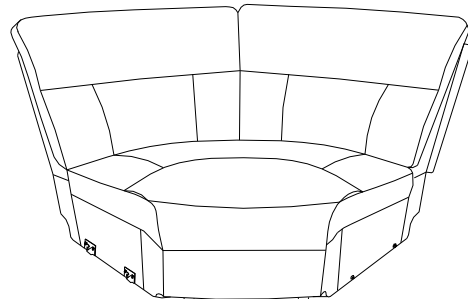
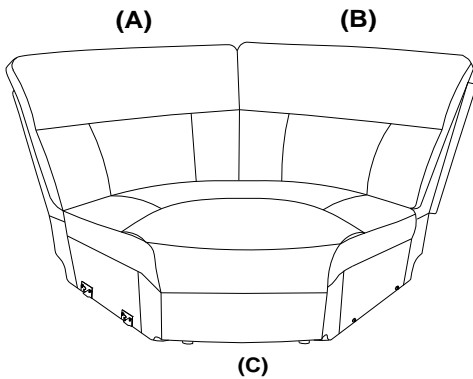
- 1.Don't attempt to repair or modify parts that are broken or defective. Please contact the store immediately.
- 2.This product is for home use only and not intended for commercial establishment.



ASSEMBLY TIME

5 MINUTES

PARTS IDENTIFICATION



- A LEFT BACK
- B RIGHT BACK
- C BASE OF WEDGE



1PC



1PC

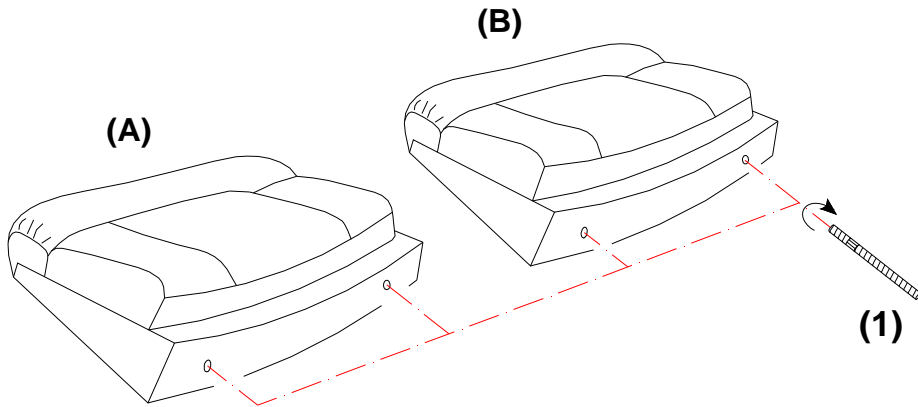


1PC

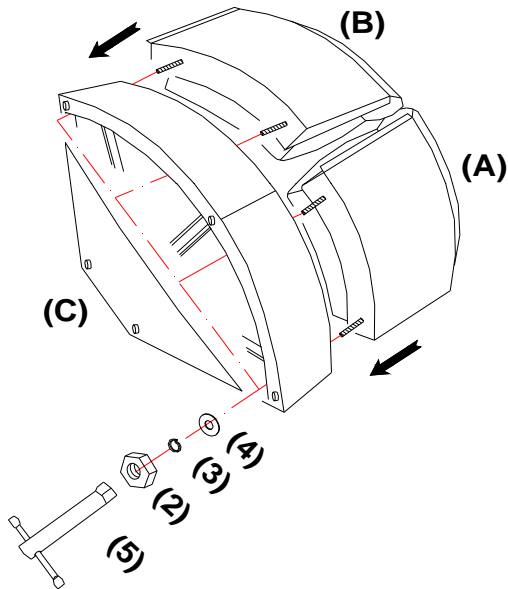
Z	HARDWARE PACKAGE		
NO	DESCRIPTION	FIGURE	QTY
1	THREADED RODS $\frac{5}{16}$ " * 100mm		4PCS
2	HEXAGON NUTS $\frac{5}{16}$ " * 13.5mm		4PCS
3	LOCK WASHER $\frac{5}{16}$ " * 13mm		4PCS+1PC SPARE
4	FLAT WASHER $\frac{5}{16}$ " * 19mm		4PCS+1PC SPARE
5	WRENCH $\frac{5}{16}$ "		1PC

ASSEMBLY INSTRUCTIONS

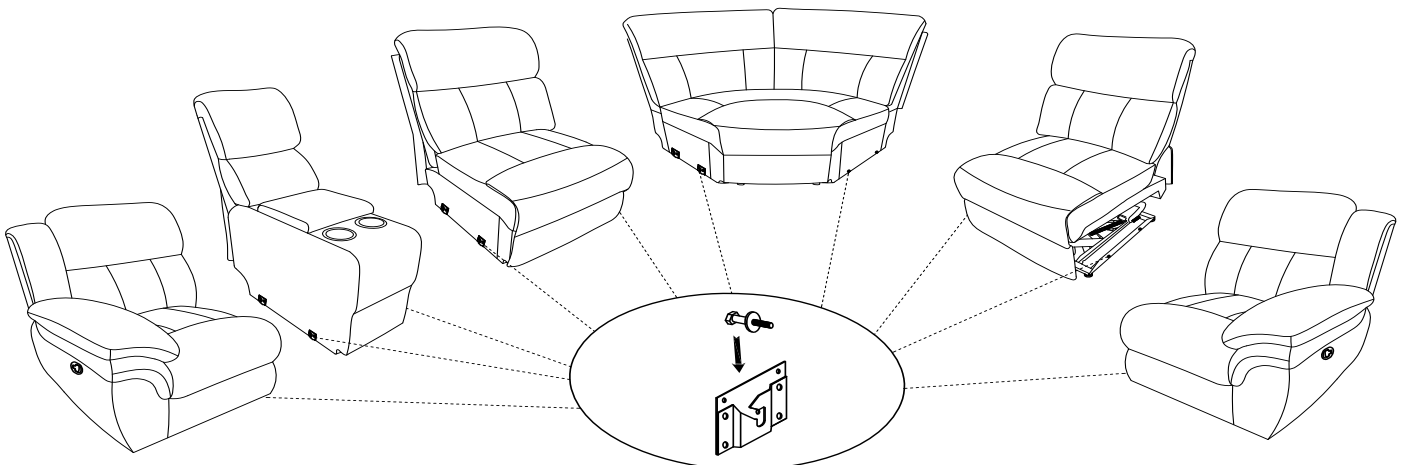
STEP 1



STEP 2



STEP 3



ASSEMBLY INSTRUCTIONS

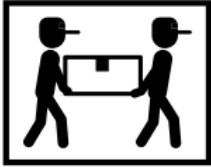
ASSEMBLY TIPS:

- 1.Remove hardware from box and sort by size.
- 2.Please check to see that all hardware and parts are present prior to start of assembly.
- 3.Please follow attached instruction in the same sequence as numbered to assure fast & easy assembly.



WARNING!

- 1.Don't attempt to repair or modify parts that are broken or defective. Please contact the store immediately.
- 2.This product is for home use only and not intended for commercial establishment.

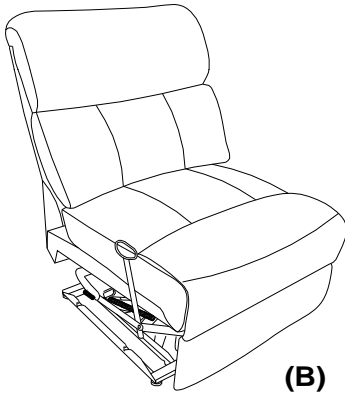


ASSEMBLY TIME

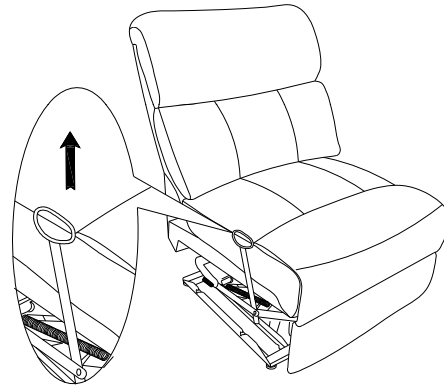
2 MINUTES

PARTS IDENTIFICATION

(A)



(B)



A BACK



1PC

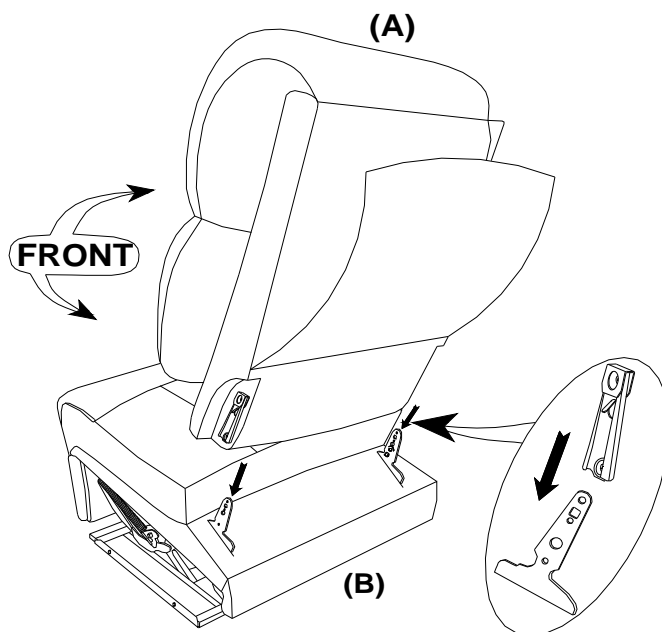
B BASE



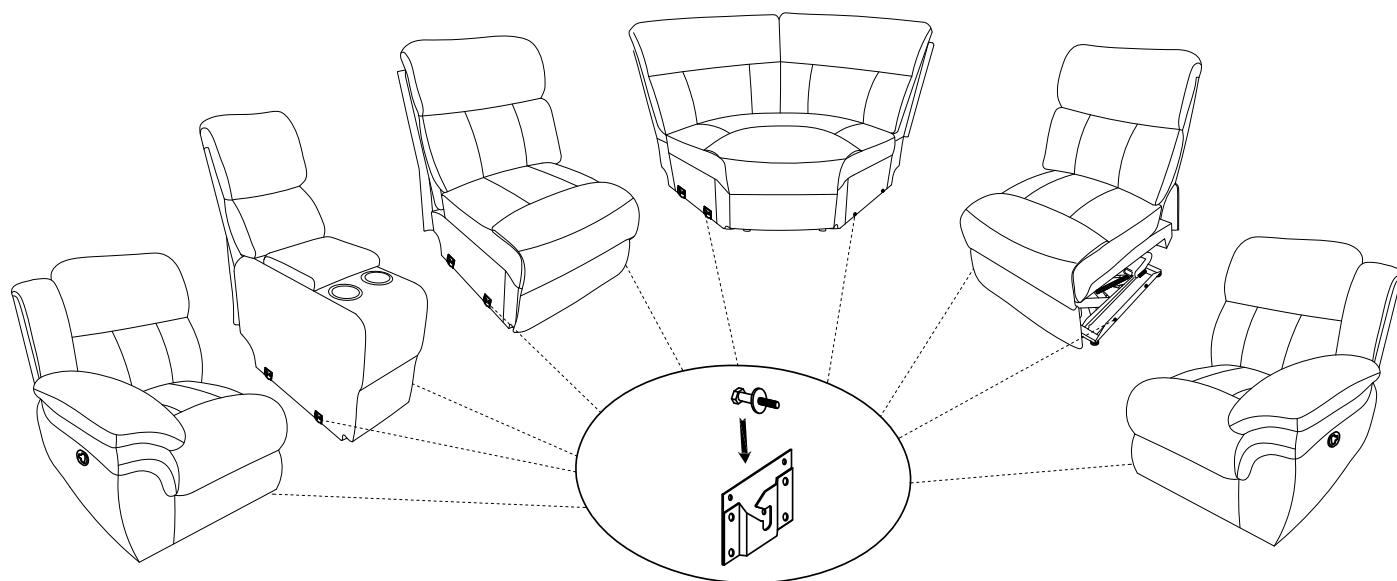
1PC

ASSEMBLY INSTRUCTIONS

STEP 1



STEP 2



ASSEMBLY INSTRUCTIONS

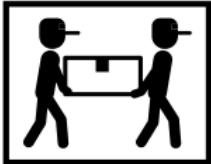
ASSEMBLY TIPS:

- 1.Remove hardware from box and sort by size.
- 2.Please check to see that all hardware and parts are present prior to start of assembly.
- 3.Please follow attached instruction in the same sequence as numbered to assure fast & easy assembly.



WARNING!

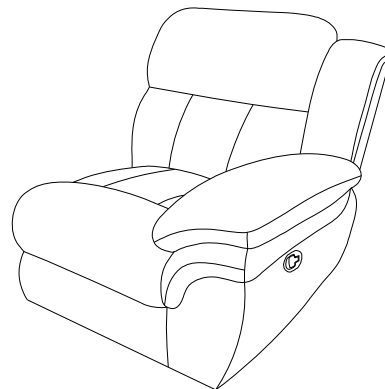
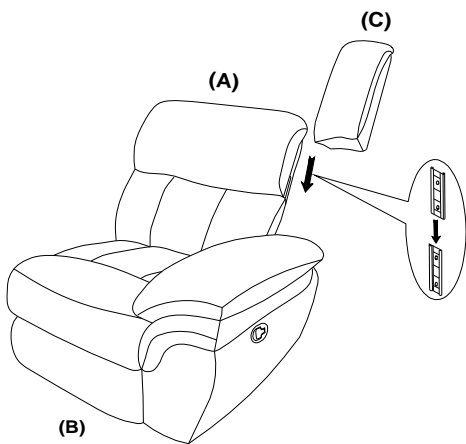
- 1.Don't attempt to repair or modify parts that are broken or defective. Please contact the store immediately.
- 2.This product is for home use only and not intended for commercial establishment.



ASSEMBLY TIME

5 MINUTES

PARTS IDENTIFICATION



A BACK



1PC

B BASE



1PC

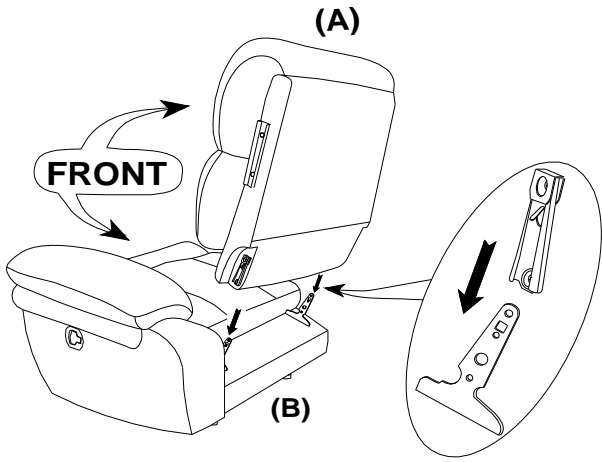
C RIGHT EAR



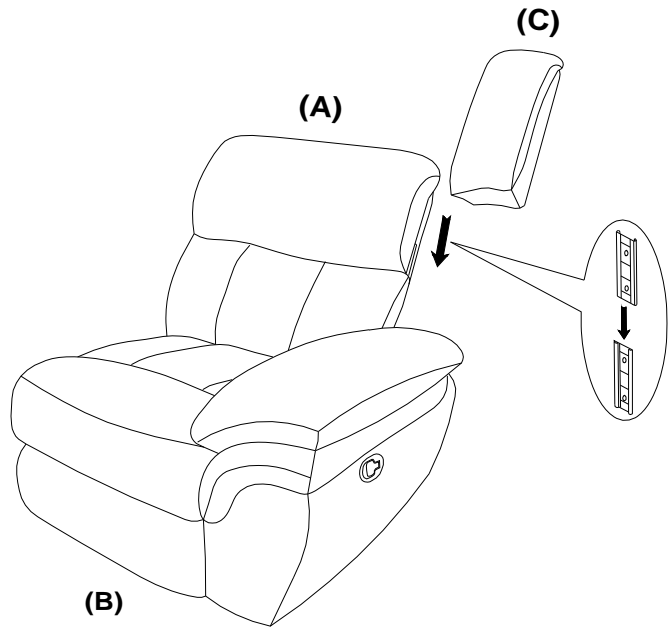
1PC

ASSEMBLY INSTRUCTIONS

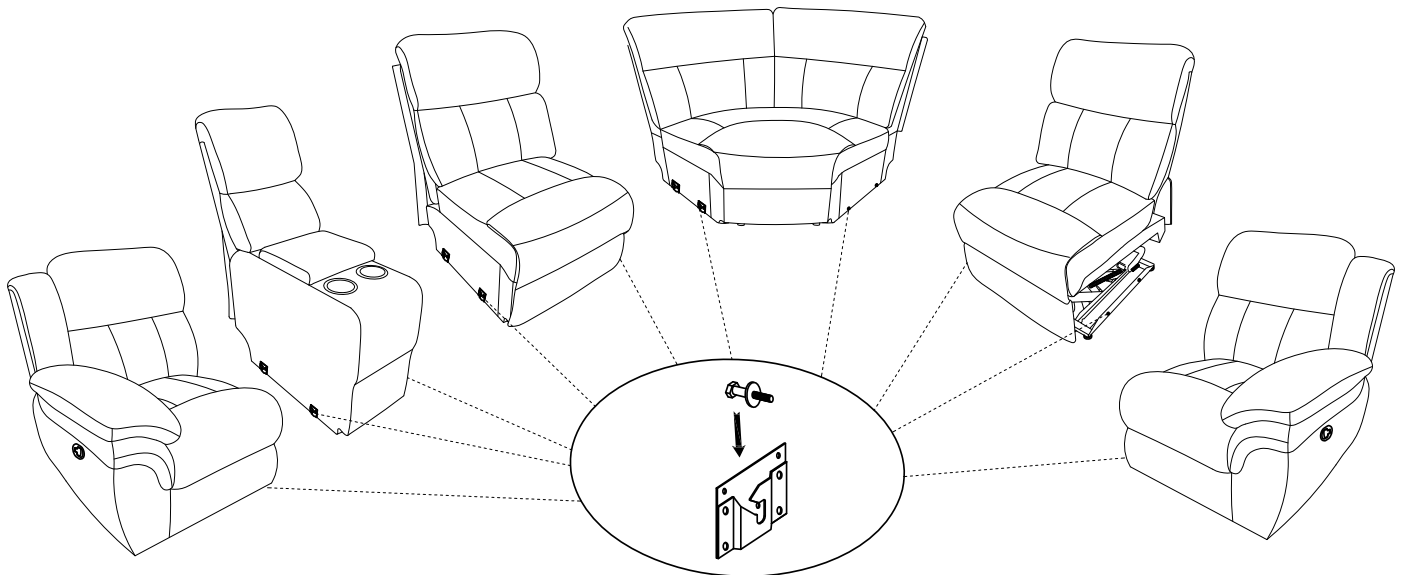
STEP 1

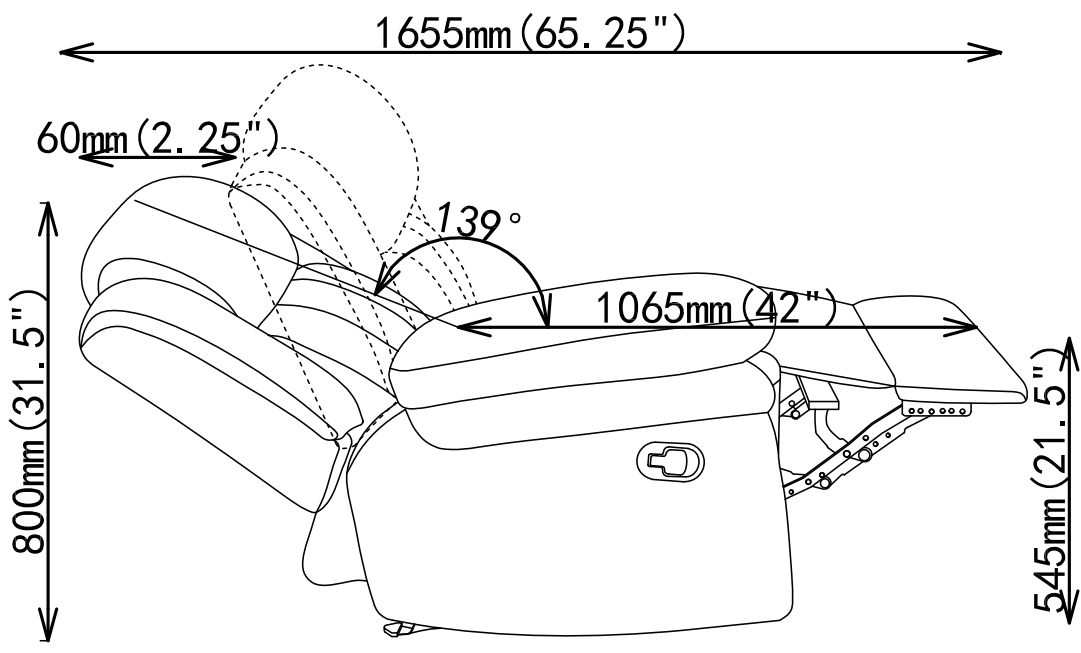
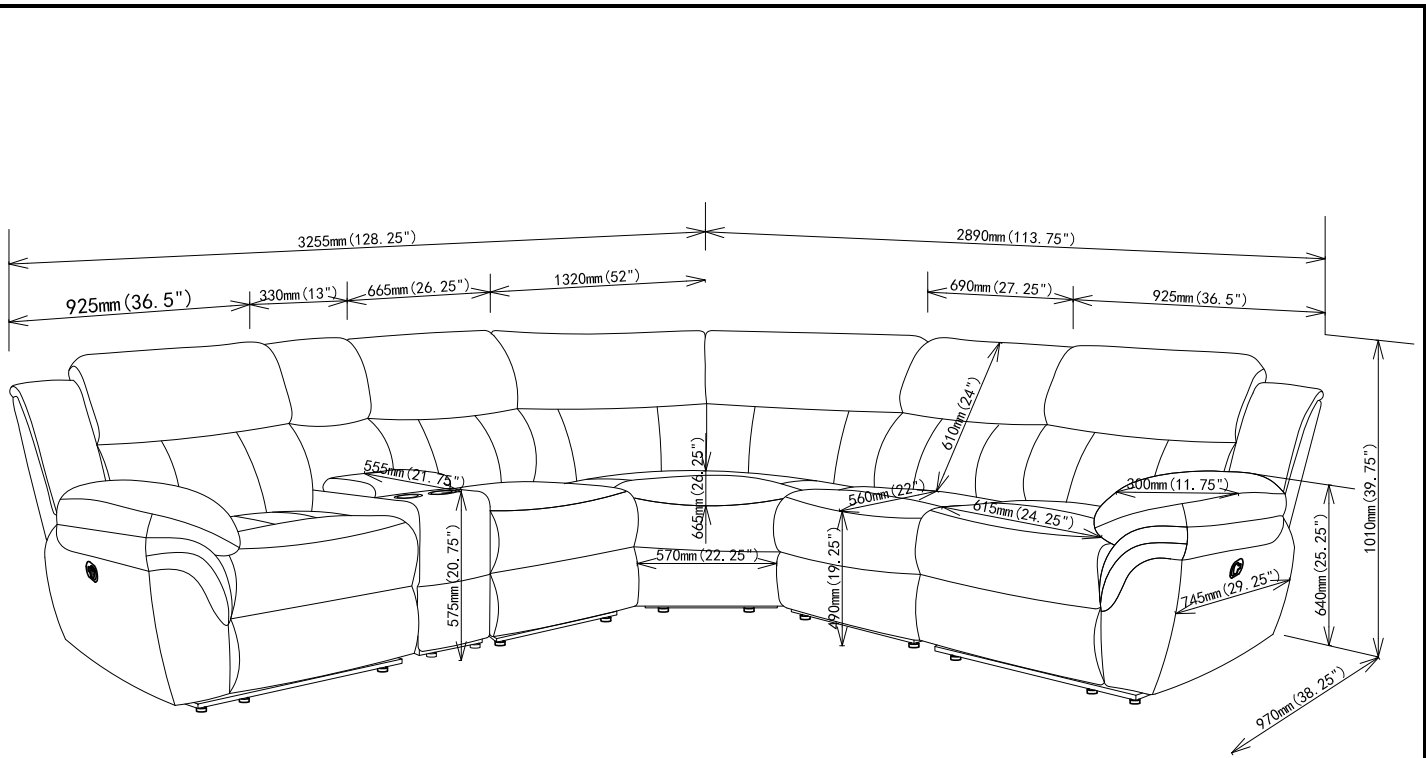


STEP 2



STEP 3





Note: Dimension tolerance $\pm 5\%$