

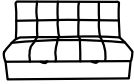
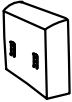

# INSTALLATION

CAUTION




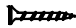

Parts are placed at the bottom of the product

# ASSEMBLY INSTRUCTIONS

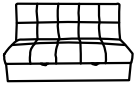




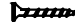


## PARTS LIST

PART	DRAWING	DESCRIPTION	QTY
A		Seat frame	1
B		Arm (L&R)	2
C		Pillow	2

## HARDWARE LIST

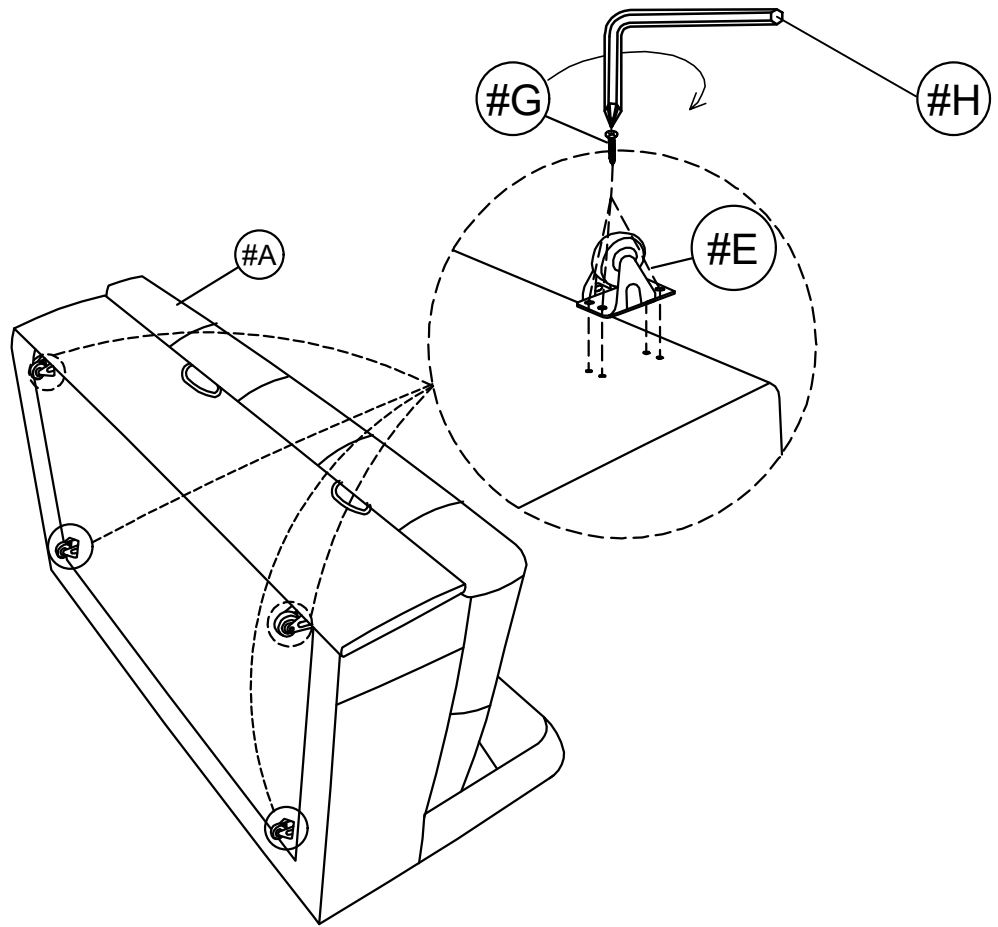
PART	DRAWING	DESCRIPTION	QTY
D		LEG	4
E		Roller	4
F		Washer	4
G		Screw #8 x 25mm	16
H		Screwdriver	1

packed in 2 cases

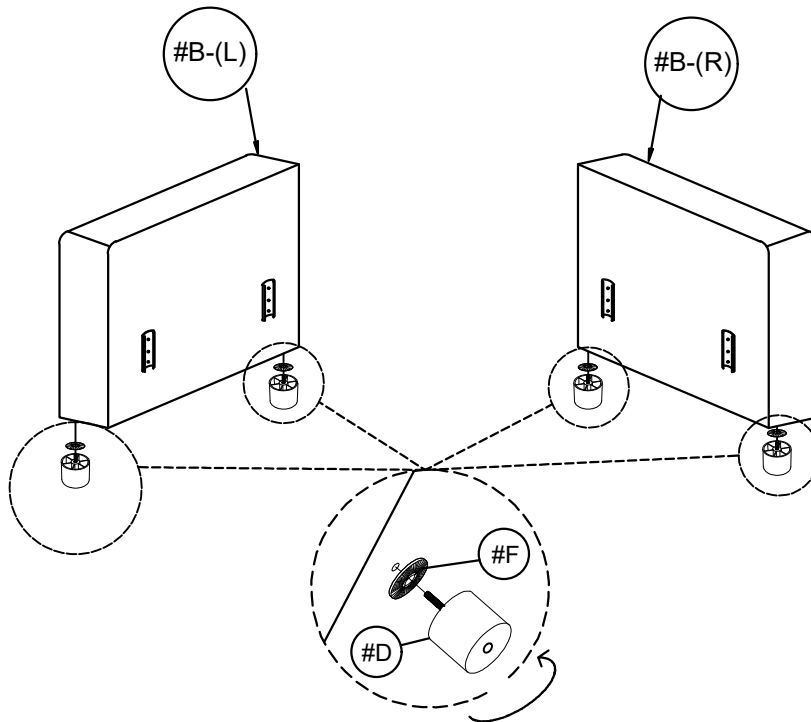
Carton	Disignation	Part	Hardware
KH002CF62D-1	Seat frame	#A 	 #D=4PCS  #E=4PCS  #F=4PCS
	Pillow	#C 	 #G=16PCS  #H=1PC
KH002CF62D-2	Arm (L&R)	#B 	

# ASSEMBLY INSTRUCTIONS

STEP 1

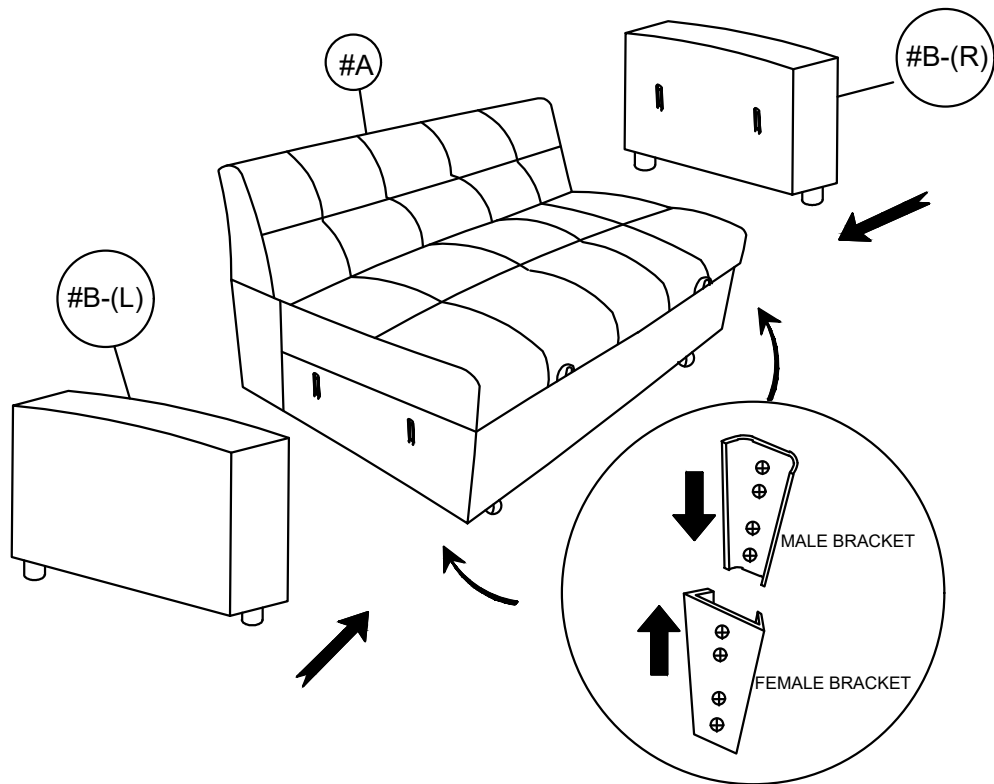


STEP 2

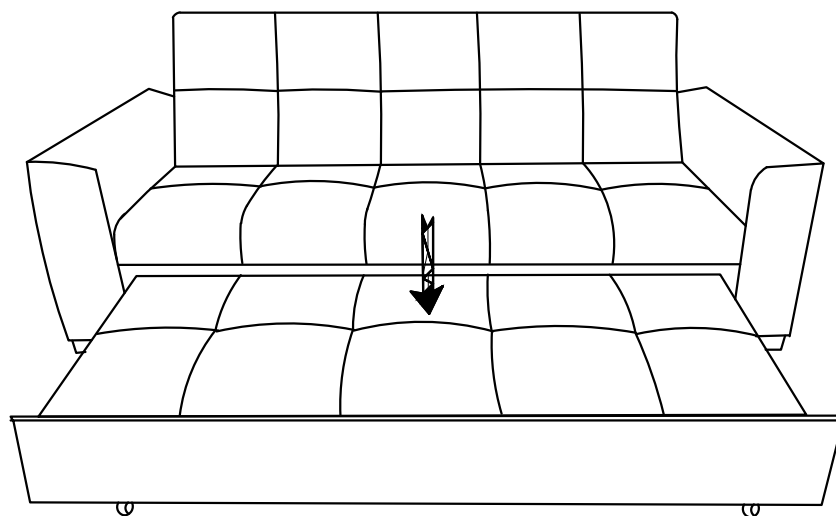


# ASSEMBLY INSTRUCTIONS

## STEP 3

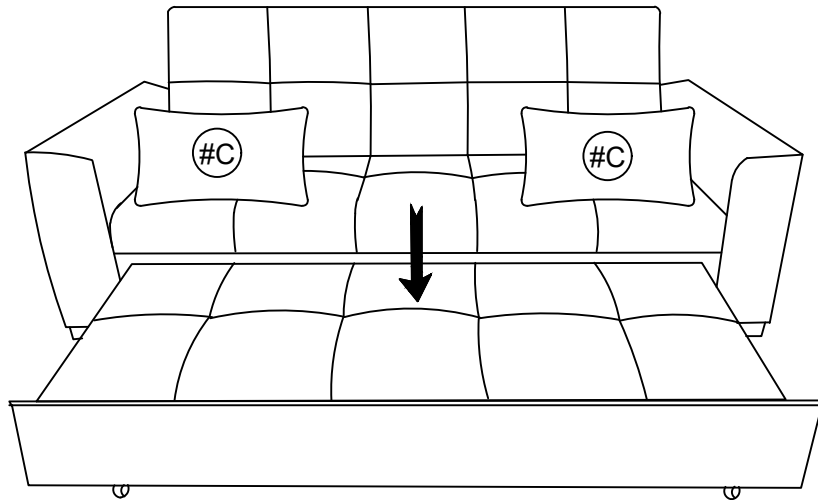


## STEP 4

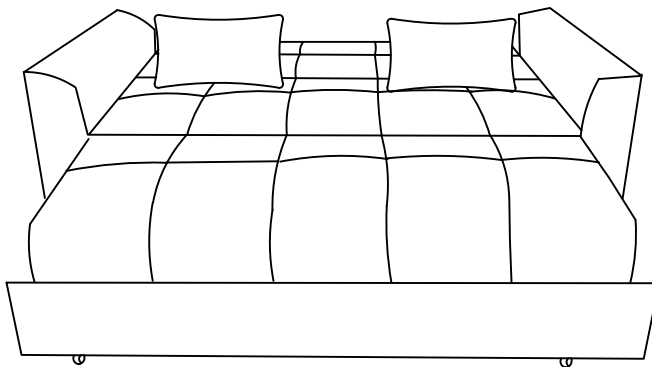


# ASSEMBLY INSTRUCTIONS

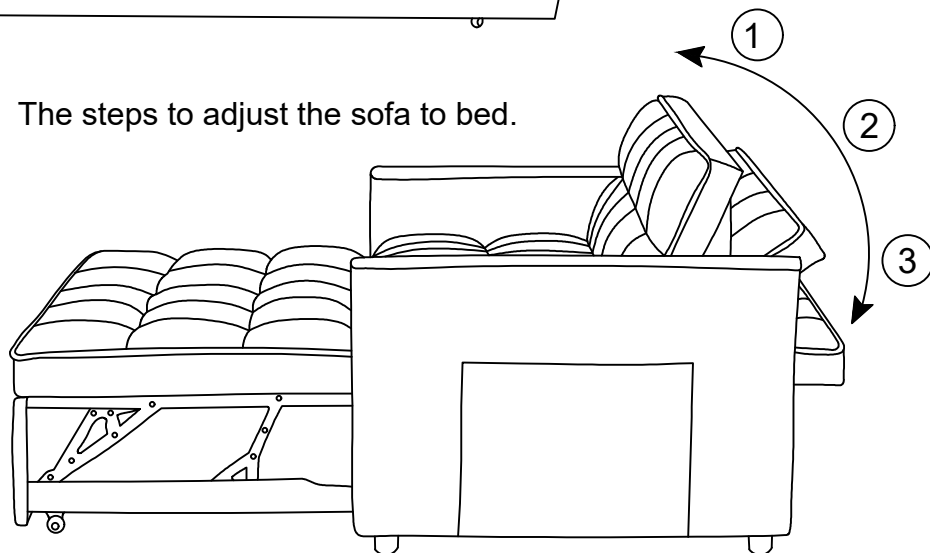
## STEP 5



## COMPLETED !!



The steps to adjust the sofa to bed.



## Warnings

1. Please check if the components of the chair are all included and can be used normally as the 5th tip.
2. Assemble all components according to the instruction correctly before you connect the chair with the power.
3. Please DO NOT sit on the armrests and footrest to eliminate the risk of tipping over.
4. If the sofa is damaged or doesn't match the website product, please send clear pictures of the product and label of the carton to our service team, and we'll help you to solve the problem.
5. If the recliner doesn't work, you can try the following measures for self-checking firstly:
  - ① Check if all the cable are connected;
  - ② Check if the light of transformer is on.If the chair still doesn't work, please feed the information back to the customer service in time. We will help solve the problem for you as soon as possible.

