



This fixture will fit in 4" Pancake Box, 4/O J-Box and Non-metallic 4" J-Box

**WARNING:**

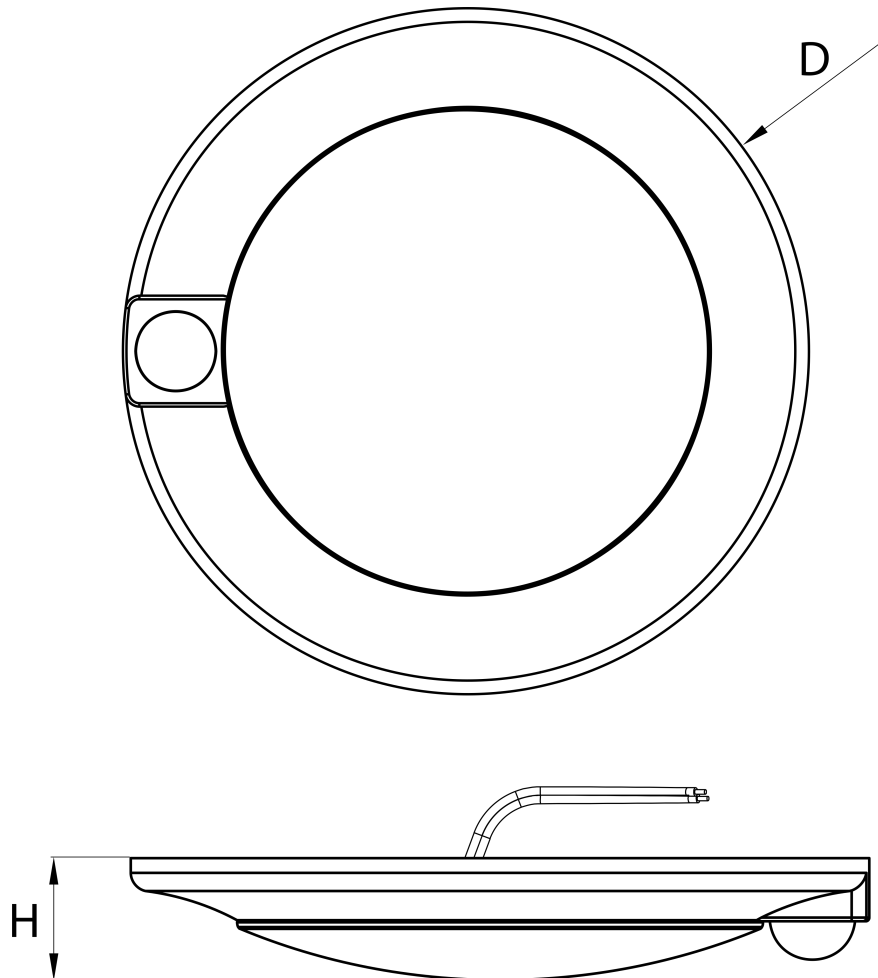
Risk of fire - Supply conductors (power wires) connecting the fixture must be rated minimum 90°C. If uncertain, consults an electrician.

Risk of electric shock - Disconnect power at fuse or circuit breaker before installing or servicing. If not qualified, consult and electrician.

**ATTENTION:**

Turn power off before inspection, installation, or removal.

Suitable for use in wet locations. Use only on 120VAC, 60Hz circuits.



<b>Fixture</b>	<b>Diameter (D)</b>	<b>Height (H)</b>
RSD4SM	6.9" (175mm)	1.1" (28mm)
RSD6SM	7.9" (201mm)	1.3" (33mm)