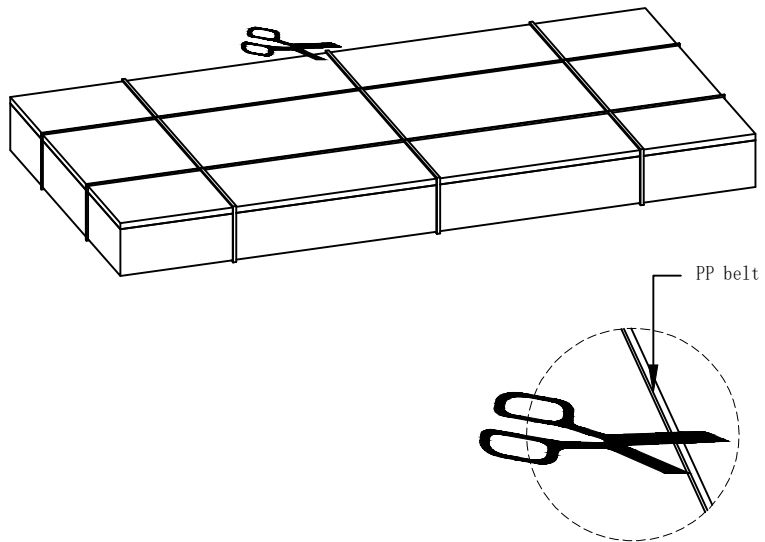
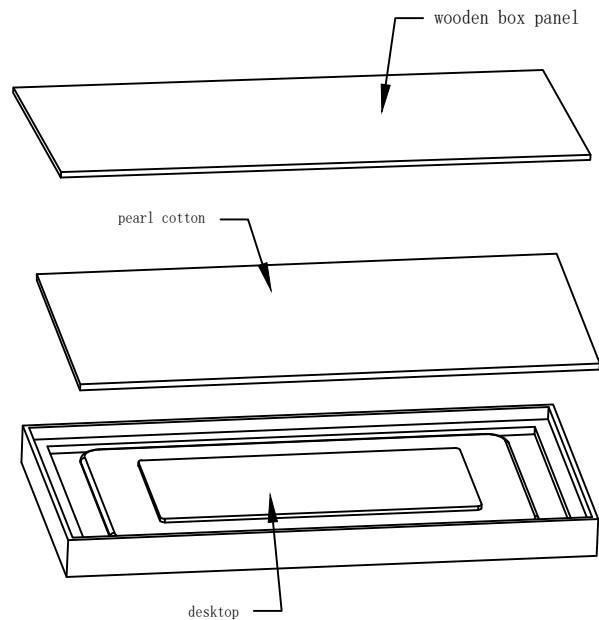


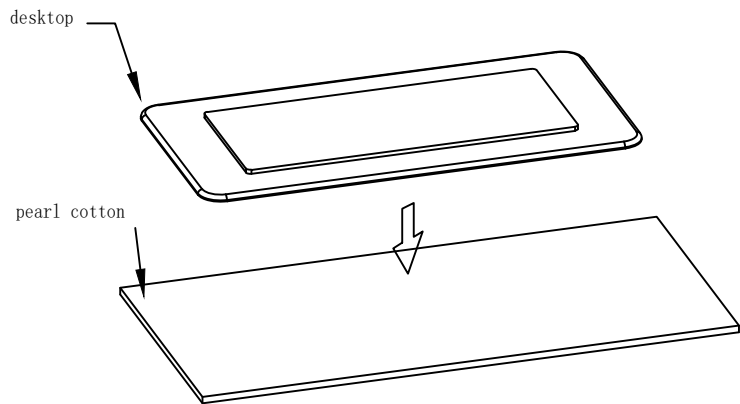
1. Unwind the PP belt with the scissors.



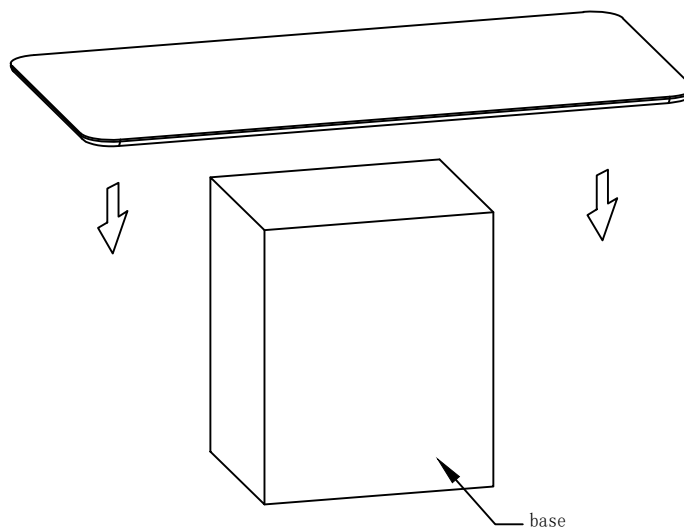
2. Take out the wooden box panel, remove the pearl cotton, and place it aside.



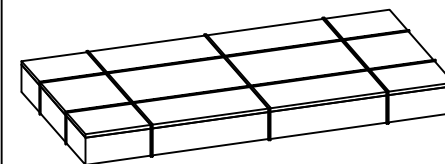
3. Place the desktop on the removed pearl cotton place (avoid collision and damage to the desktop).



4. Four people need to place the dining table above the dining table base before installation.



## Table unpacking instructions



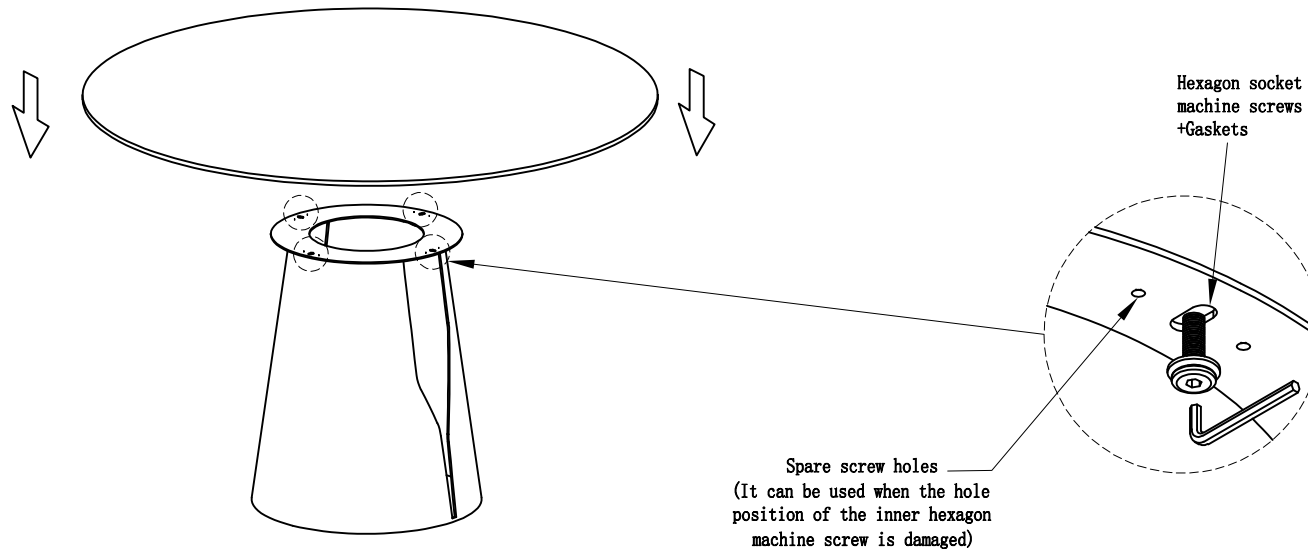
Number of people needed:4

- ① Please read the manual carefully before installing this product. And strictly follow the installation process
- ② Please take good care of this manual for your next installation

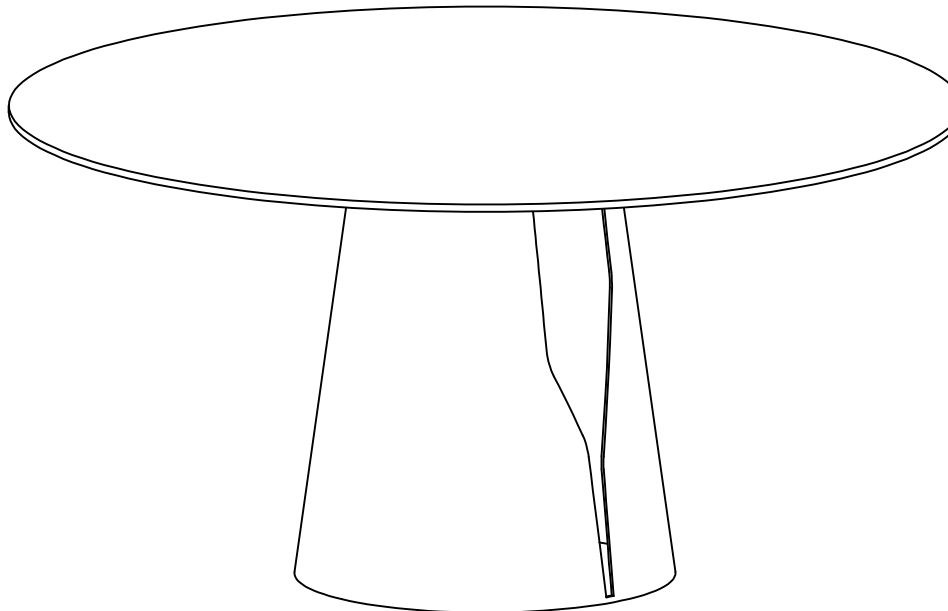
### Parts list

| Serial number | Shape | Name | Quantity |
|---------------|-------|------|----------|
|               |       |      |          |
|               |       |      |          |
|               |       |      |          |
|               |       |      |          |
|               |       |      |          |
|               |       |      |          |
|               |       |      |          |
|               |       |      |          |
|               |       |      |          |
|               |       |      |          |

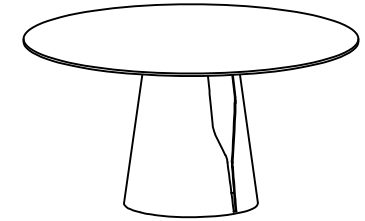
1. Put the desktop on the base and align the holes, then pass the hexagonal machine wire into the hole on the base steel plate and tighten it with a wrench



2. Installation finished.



## Installation instruction






### DT010JX Installation

The number of people needed for installation: 2

- ① Please read the manual carefully before installing this product. And strictly follow the installation process
- ② Please take good care of this manual for your next installation
- ③ Note: Before installation, screw all the screws to 1/2 of the length of the installation. After all screws are half screwed in, tighten them all together.

### Parts list

| Serial number | Shape   | Name                                    | Quantity |
|---------------|---|---|----------|
| A             |  | Hexagon socket machine screws (M8*16mm) | 4        |
| B             |  | Gaskets                                 | 4        |
| C             |  | Self-tapping screws (spare) (M4*16mm)   | 8        |
|               |   |   |          |
|               |   |   |          |
|               |   |   |          |
|               |   |   |          |