

Baths

CITY



Description

- 60X30"
- Rectangular bathtub
- Integrated apron and flange, drain right
- Alcove installation
- Sanitary acrylic
- Bath waste not included
- Request the bath waste code 100093720 or 100161766

Finish



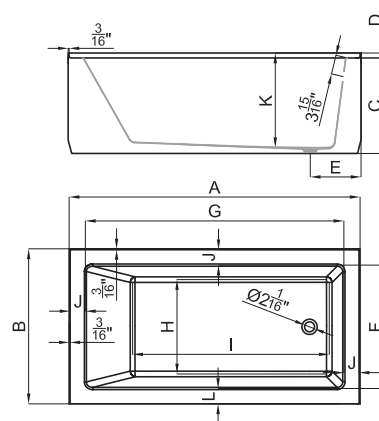
glossy white
100178400

Certifications and quality characteristics



Technical drawing

Dimensions in inches



DIMENSION	POSITION	APPROX.	IMP.	REG.	A	B	C	D	E	F	G	H	I	J	K	L
60" x 30"	REF. 100178400	100178400	100178400	100178400	60"	30"	17 1/8"	3"	3"	3"	60"	30"	17 1/8"	3"	3"	3"

noken
PORCELANOSA BATHROOMS

Warranty: For a warranty or other information on this product, visit our Web address: www.noken.com

Legal disclaimer: All details provided by the NOKEN's Product has an information purpose without any contractual value. In order to obtain further information about the materials and their installation please visit our showrooms. NOKEN reserves the right to modify or delete any information on this site. The images and colours shown in this site may differ from the real ones.

© 2022 noken | Edition: 02/11/2022 USA Ref.102533