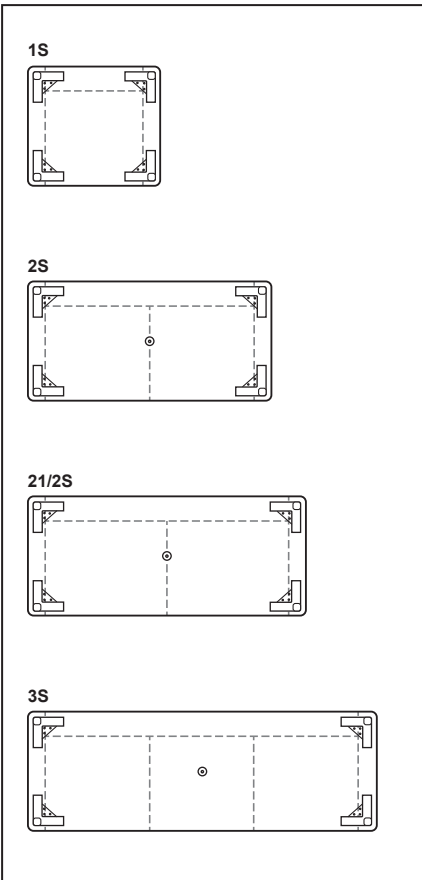


ASSEMBLY INSTRUCTION

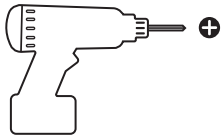
MODEL : 1049

Read the instruction carefully. Refer hardware and furniture parts list for guidance. Refer steps provided as assembling guide.




LEG POSITION - Bottom View



TOOL REQUIRED



HARDWARE LIST

	DESCRIPTION	QTY			
		1S	2S	21/2S	3S
A	Wooden Leg - W1049 	4 Pcs	4 Pcs	4 Pcs	4 Pcs
B	Wooden Leg - WC018 		1Pc	1 Pc	1 Pc
C	Screw 	16 Pcs	16 Pcs	16 Pcs	16 Pcs

ASSEMBLY INSTRUCTION - Bottom View

