

Modern Mid-century Globe Chandelier

Caution: Please turn off power before installation and read the manual carefully, we advise you contact professional electricians to install for safety purpose.

Product Features

Style: Modern /Mid-century

Material: Metal/Glass

Color:Brass

Base Type: E26

Light Source Included: No

Voltage: 110V AC

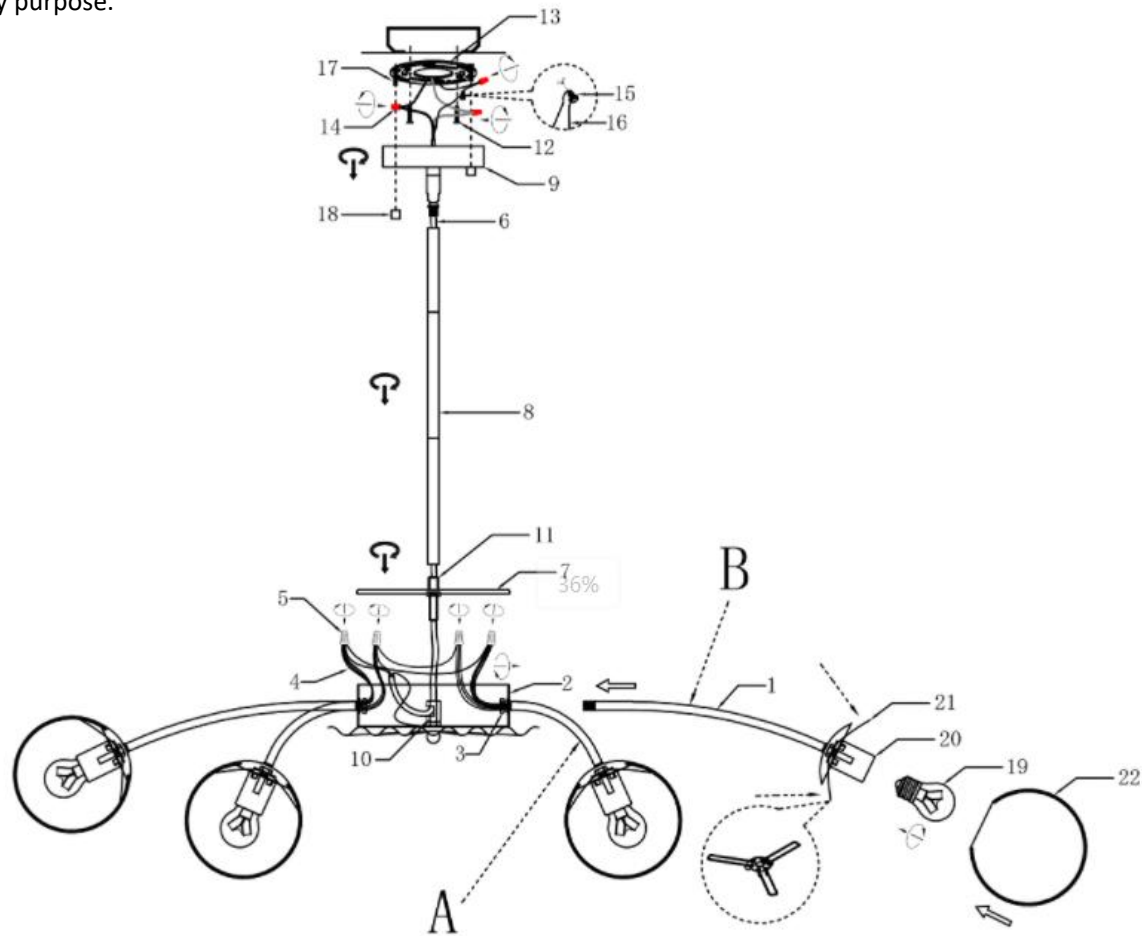
Wattage: 60W Max

Package includes

1 x Chandelier Light

1 x Accessories Kit

1 x User's Manual



Installation Instructions

- A. Pass the fixture arm (1) through the hole of the lamp base (2), and then tighten the nut (3).
- B. Connect the positive pole(+) of the lamp arm (4) to the positive pole (+) of the main wire with the terminal cap (5). Similarly, connect the negative pole to the negative pole (-) of the main wire with the terminal cap (5). Be careful not to expose the wire to prevent leakage..
- C. Pass the main wire (6) through the cover (7), hanging pole(8), and the canopy (9), then tighten the cover (7) with the nut (10), and then twist the hanging pole onto the thread(11) and fix it; then tighten the canopy (9) onto the pole (8).
- D. Fasten the ceiling plate (13) to the junction box with the junction box screws (12).
- E. Connect the positive pole (wire with letter) of the main wire (6) to the positive pole (+) of the junction box wire with the terminal cap(14). Similarly, connect the negative pole (wire without letter) to the negative pole (-) of the junction box wire with the terminal cap (14). Be careful not to expose the wire to prevent leakage. Use the green screw (15) to fix the fixture ground wire (16) and the external ground wire to the ceiling plate (13).
- F. Pass the hanging plate screw (17) through the two small holes of the canopy (9), and then tighten the cap nut (18) to fix the lamp.
- G. Twist the light bulb (not included)(19) on the lamp holder (20) and test if it could work.
- H. Tighten the retaining ring (21) and then attach the lamp shade (22) .
- I. When installing the longer and shorter arms that extend from the central part,pls check the overlook installation instruction, A means shorter arm, B indicates longer arm.

Note: please use this product accordingly to its intended purpose, do not retrofit or remodeling the product. The warranty does not cover if the failure is caused by the third party product, or natural disasters.

Made in China

Overlook Installation Instruction

