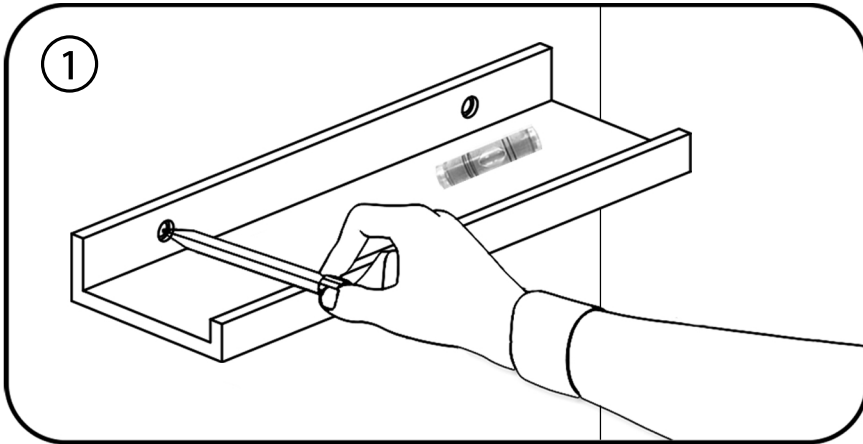
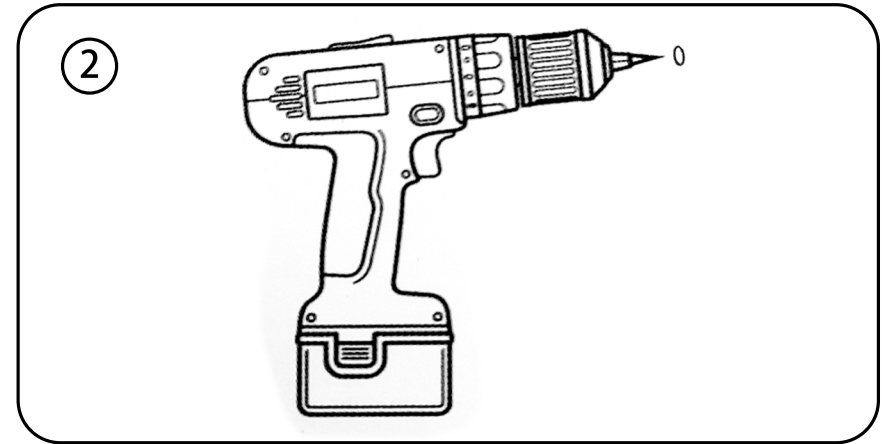


# Floating Shelf Installation Steps

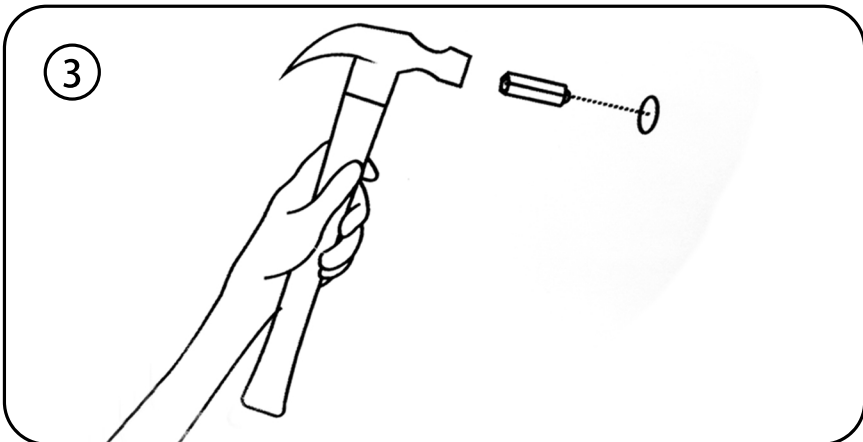
You need to prepare the tools: An electric drill, A hammer, A cross screwdriver.  
If any accessories missing or damage, please contact us we will help you with it.



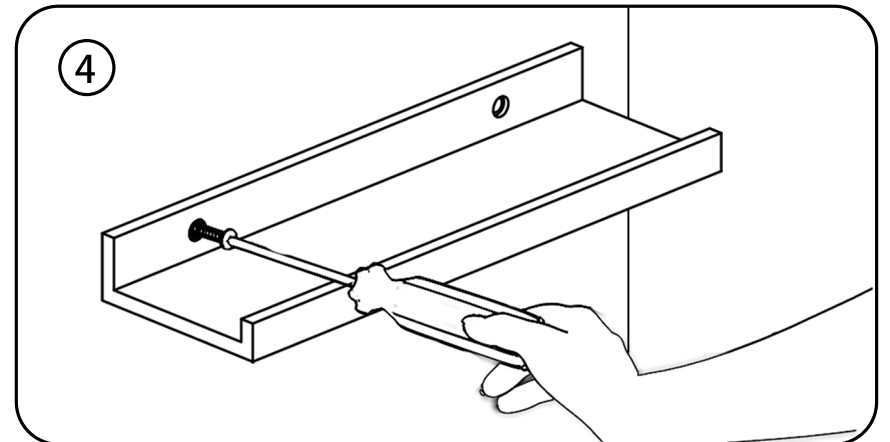
Mark the place where you want to install the shelf and check with a level.



Drill 6 mm at the mark with an electric drill.



Use a hammer to put the expansion tube into the drilling hole.



Use screws and screwdrivers to fix the shelf on the wall, the installation is complete.