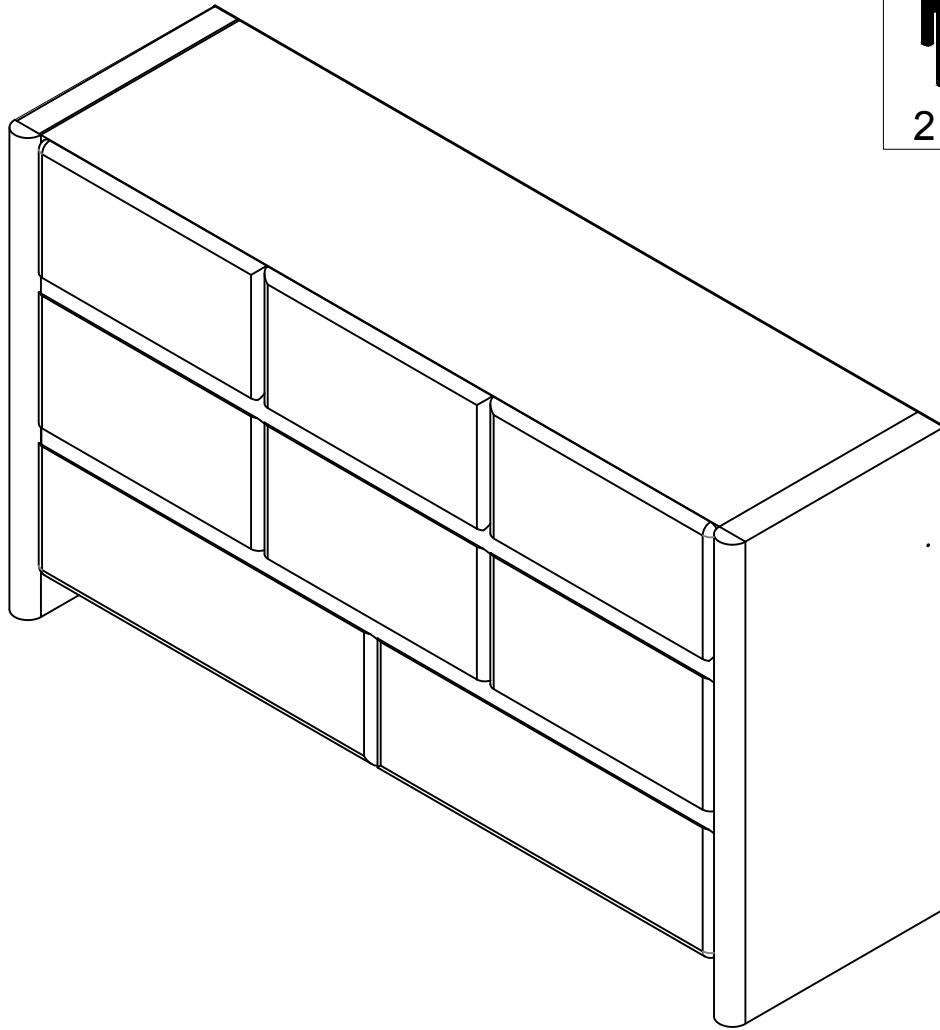
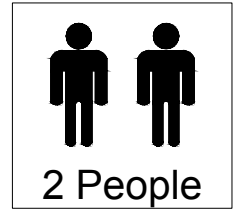
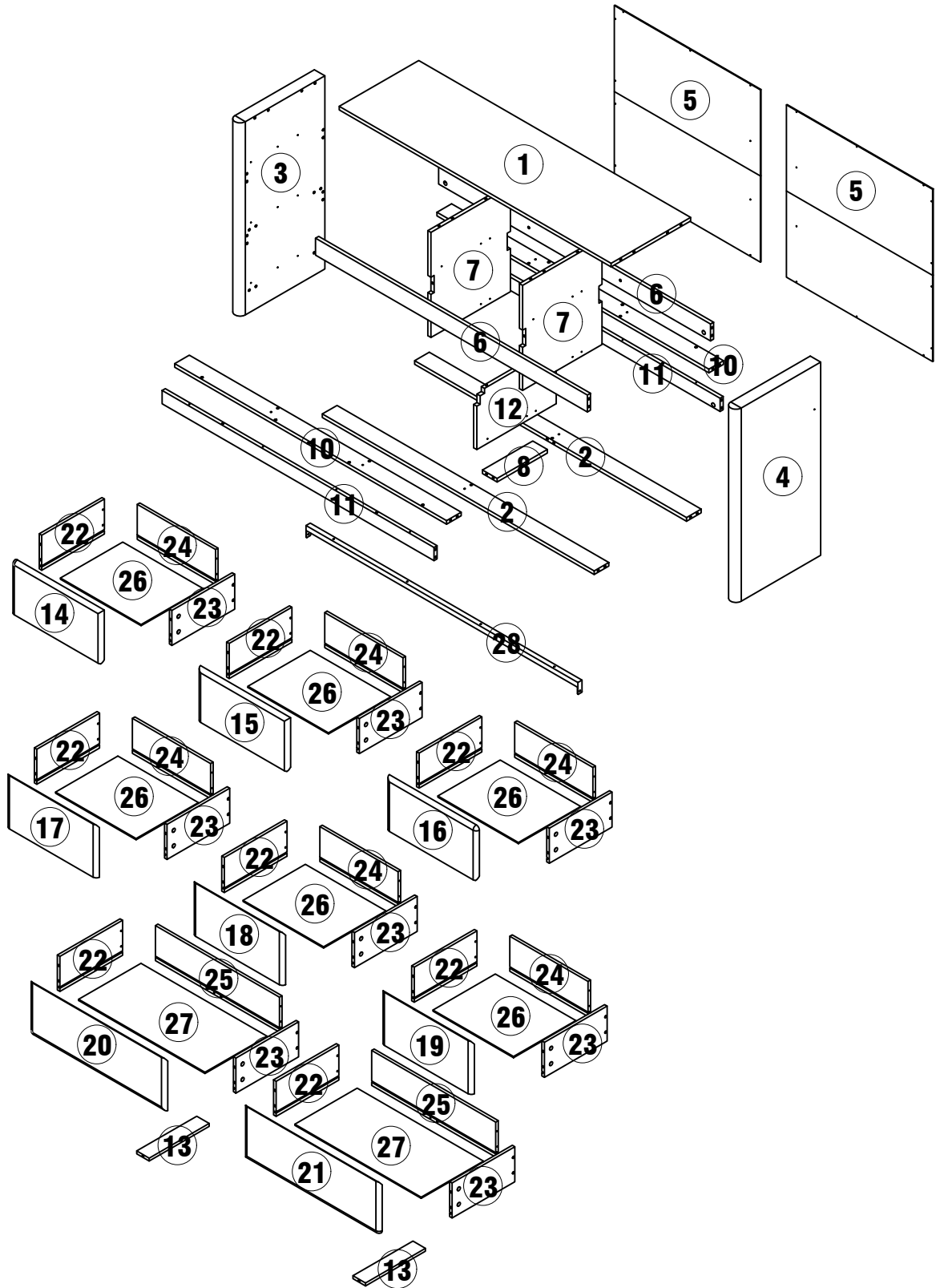


# ASSEMBLY INSTRUCTIONS




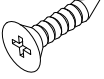
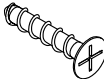
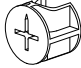


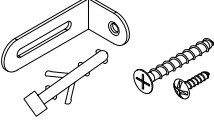
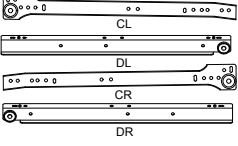
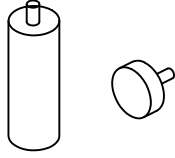
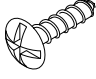
# PACKAGE INCLUDE



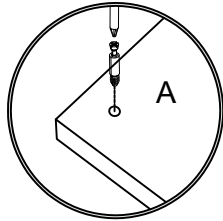
## PACKAGE INCLUDE

<b>CODE</b>	<b>DESCRIPTION</b>	<b>QTY</b>
<b>1</b>	Top Panel	<b>1</b>
<b>2</b>	Bottom Plate	<b>2</b>
<b>3</b>	Left Side Panel	<b>1</b>
<b>4</b>	Right Side Panel	<b>1</b>
<b>5</b>	Backboard	<b>2</b>
<b>6</b>	Pull-up Bar	<b>2</b>
<b>7</b>	Upper Middle Vertical Board	<b>2</b>
<b>8</b>	Bottom Connection Plate	<b>1</b>
<b>L</b>	Support Feet That Can Be Adapted	<b>1</b>
<b>10</b>	<b>Middle Pull Strip</b>	<b>2</b>
<b>11</b>	Middle Reinforcement Strip	<b>2</b>
<b>12</b>	Lower Middle Vertical Board	<b>1</b>
<b>13</b>	Drawer Bottom Strip	<b>2</b>
<b>14</b>	Draw The Panel On The Left	<b>1</b>
<b>15</b>	Upper And Middle Pumping Panel	<b>1</b>
<b>16</b>	Up And Right Pull The Panel	<b>1</b>
<b>17</b>	Middle Left Suction Panel	<b>1</b>
<b>18</b>	Medium Suction Panel	<b>1</b>
<b>19</b>	Middle Right Pull Panel	<b>1</b>
<b>20</b>	Lower Left Pull Panel	<b>1</b>
<b>21</b>	Pull The Panel Down To The Right	<b>1</b>
<b>22</b>	Drawer Left Side Panel	<b>8</b>
<b>23</b>	Drawer Right Side Panel	<b>8</b>
<b>24</b>	Upper Pull Back Plate	<b>6</b>
<b>25</b>	Draw The Back Plate	<b>2</b>
<b>26</b>	Pull The Bottom Plate	<b>6</b>
<b>27</b>	Pull Down The Bottom Plate	<b>2</b>
<b>28</b>	Lron Pipe	<b>1</b>

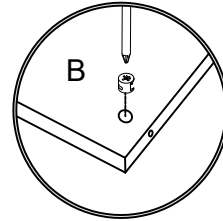
# PACKAGE CONTENT

<p><b>Ø8X30MM</b></p>  <p><b>A</b>      <b>34X+1</b></p>	<p><b>Ø3X11MM</b></p>  <p><b>B</b>      <b>96X+2</b></p>	<p><b>Ø4X35MM</b></p>  <p><b>C</b>      <b>54X+2</b></p>	<p><b>Ø15X10MM</b></p>  <p><b>D</b>      <b>68X+2</b></p>
<p><b>Ø3.5X12MM</b></p>  <p><b>F</b>      <b>24X+1</b></p>	 <p><b>G</b>      <b>68X+2</b></p>	 <p><b>H</b>      <b>2X</b></p>	 <p><b>K</b>      <b>8X</b></p>
 <p><b>L</b>      <b>1X</b></p>	 <p><b>M</b>      <b>2X</b></p>		

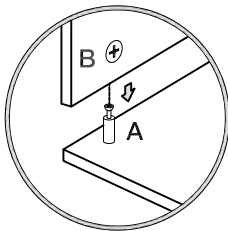
# How to use the cam lock system



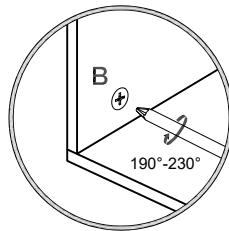
1. Screw cam bolt into panel



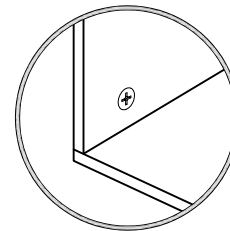
2. Push cam into panel - arrow feature on cam top points to panel edge



3. Align cam bolt(s) with cam(s) and insert all the way into cross-bored hole(s)

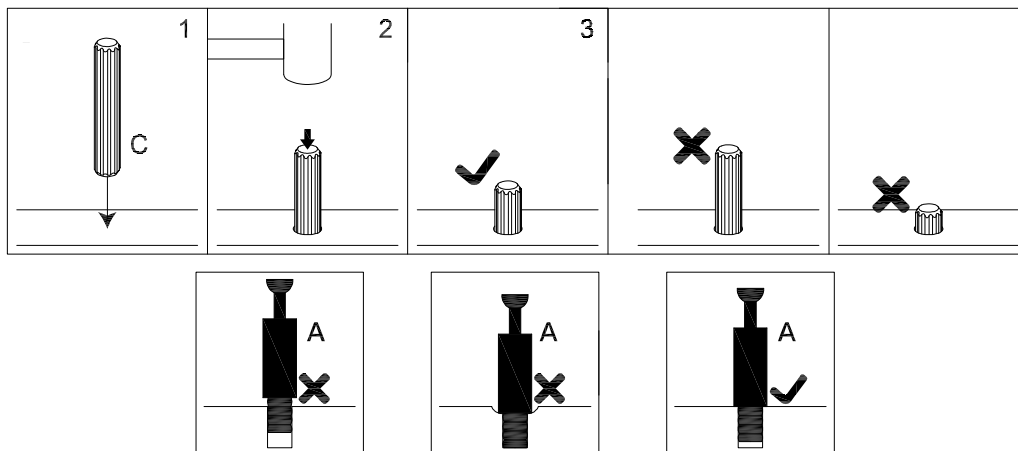


4. Rotate cam(s) clockwise 190°-230° to lock panels together



5. Panels should be tight against each other and connection should be rigid

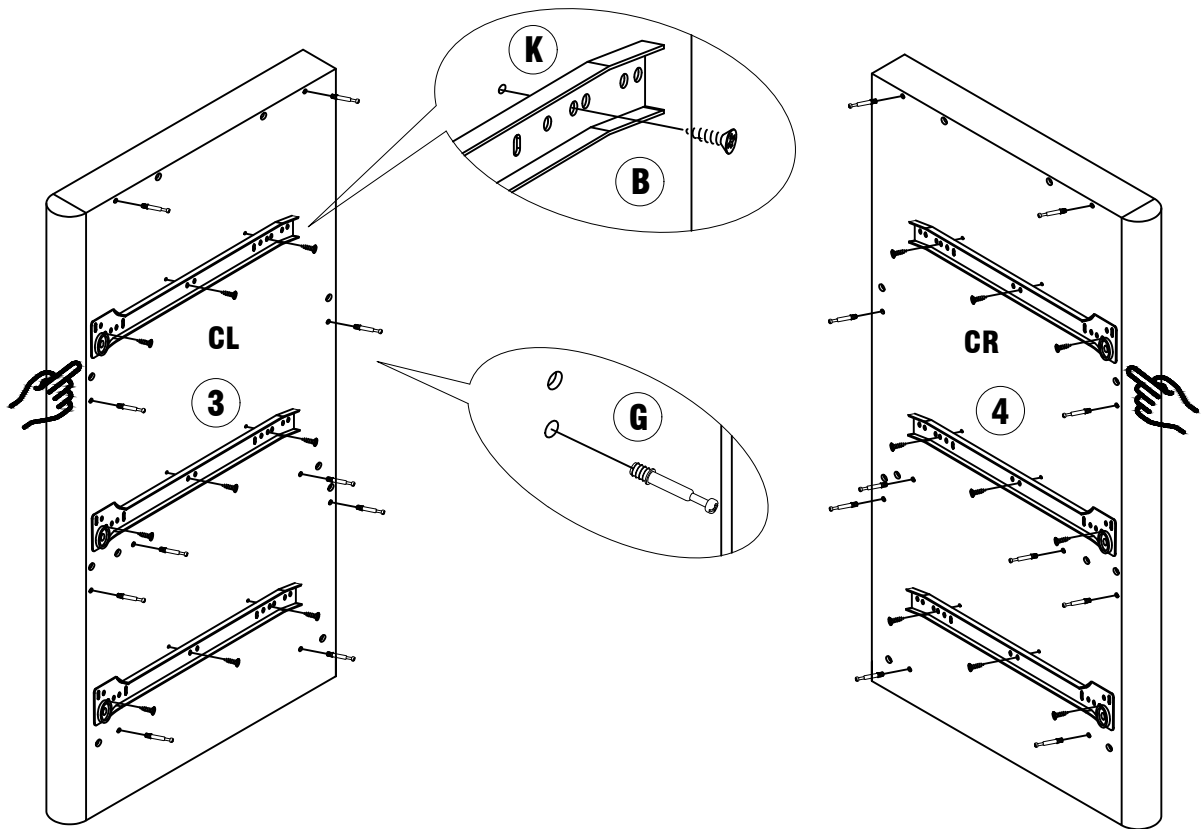
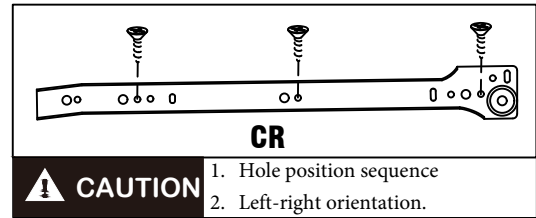
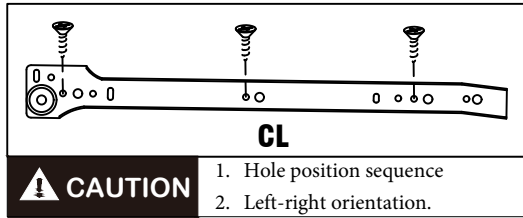
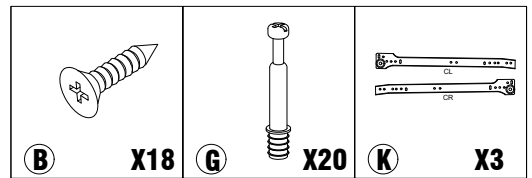
Insert the wood dowel [C] at least half way by tapping lightly with a rubber mallet, IF NECESSARY.



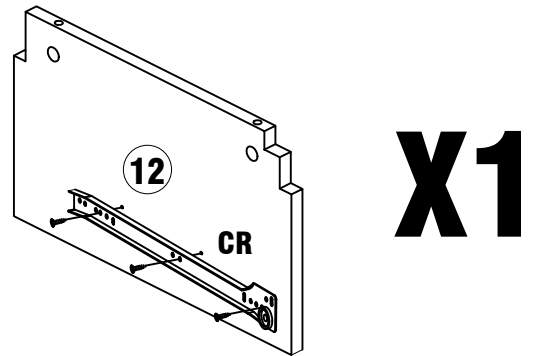
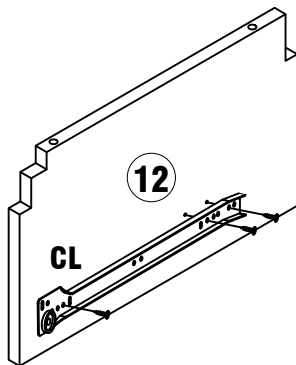
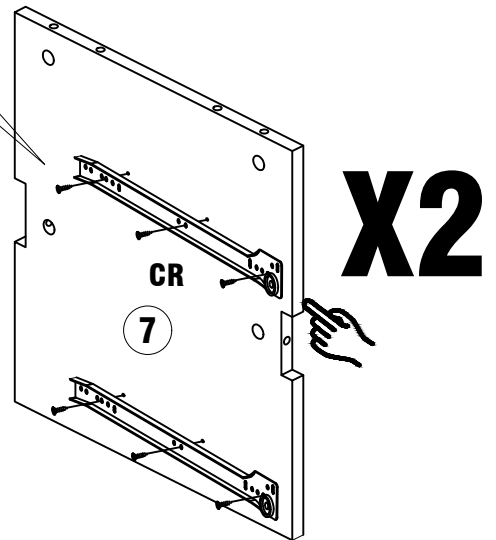
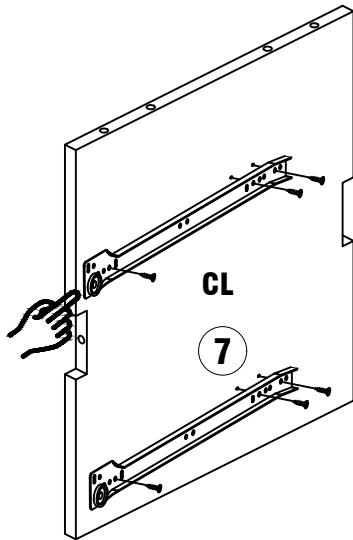
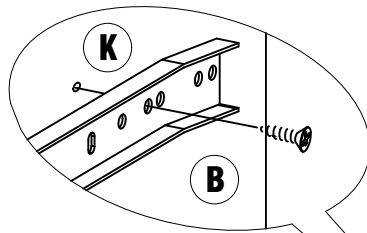
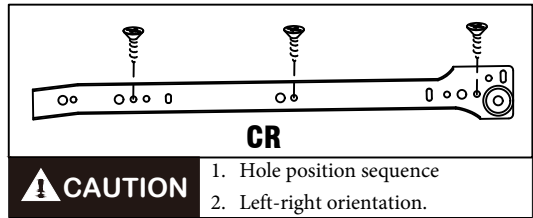
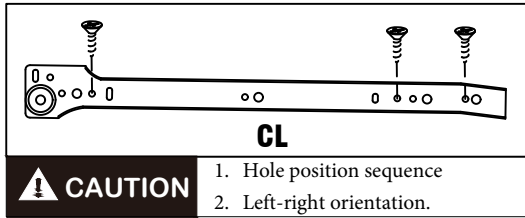
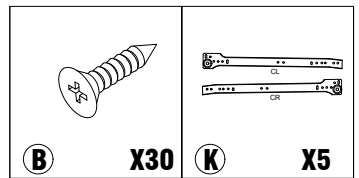
## ⚠ WARNING

- Unit must be placed on a level surface or leveled with included hardware (when applicable).
- Do not sit or stand on or allow children to climb, sit or stand on the assembled product.
- For safety reasons, it is imperative that this unit be mounted to the wall.
- Do not use without installing the tip restraint.
- Unit can tip over causing severe injury or death.
- Do not exceed the recommended weight limits.
- Evenly distribute the weight on each level and always keep the heavier loads on the bottom.
- Before cutting, drilling or hammering into any wall or floor surface, verify the location of electrical, plumbing and gas lines. Cutting may cause serious injury.

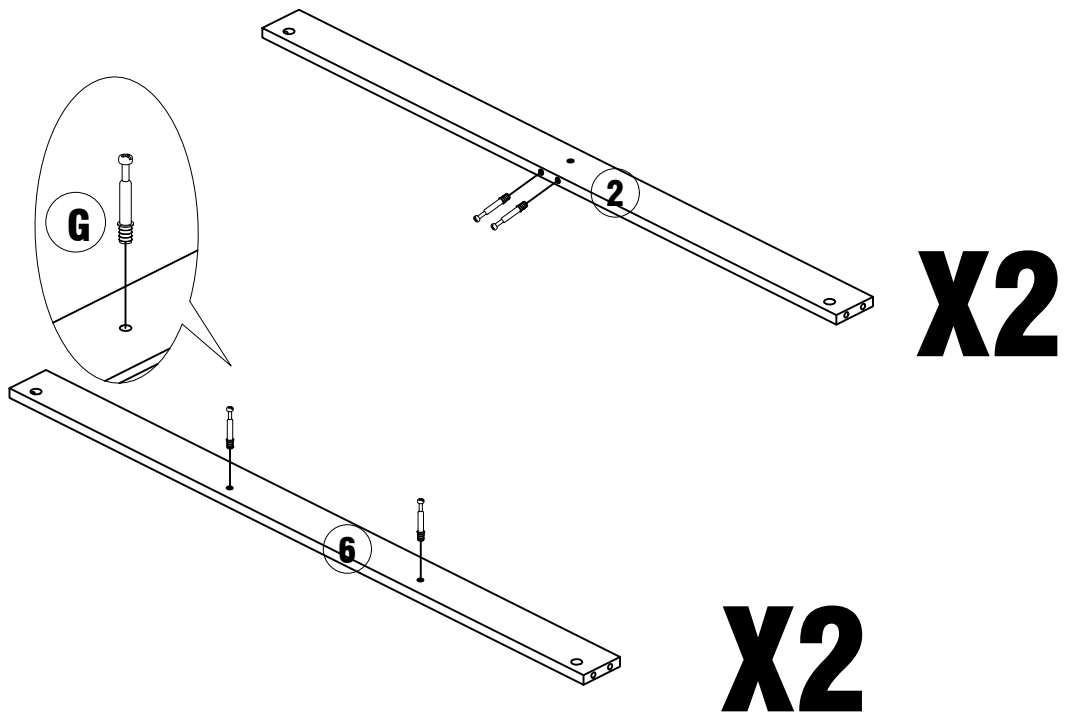
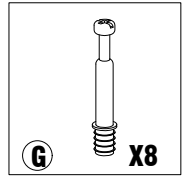
# STEP 1



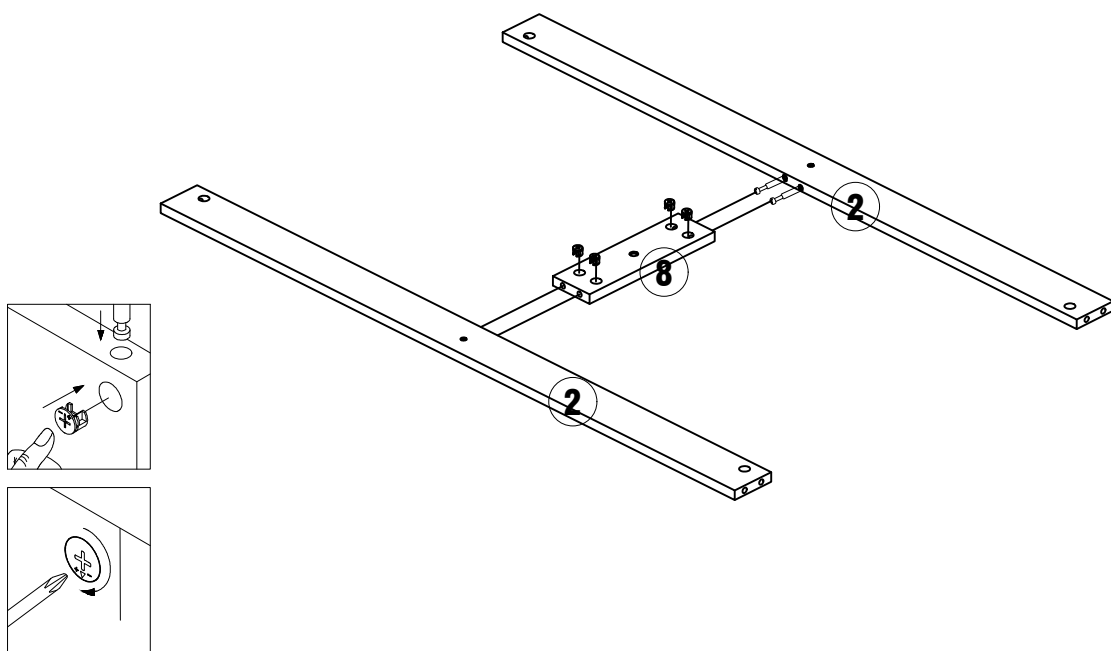
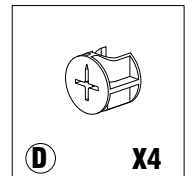
# STEP 2



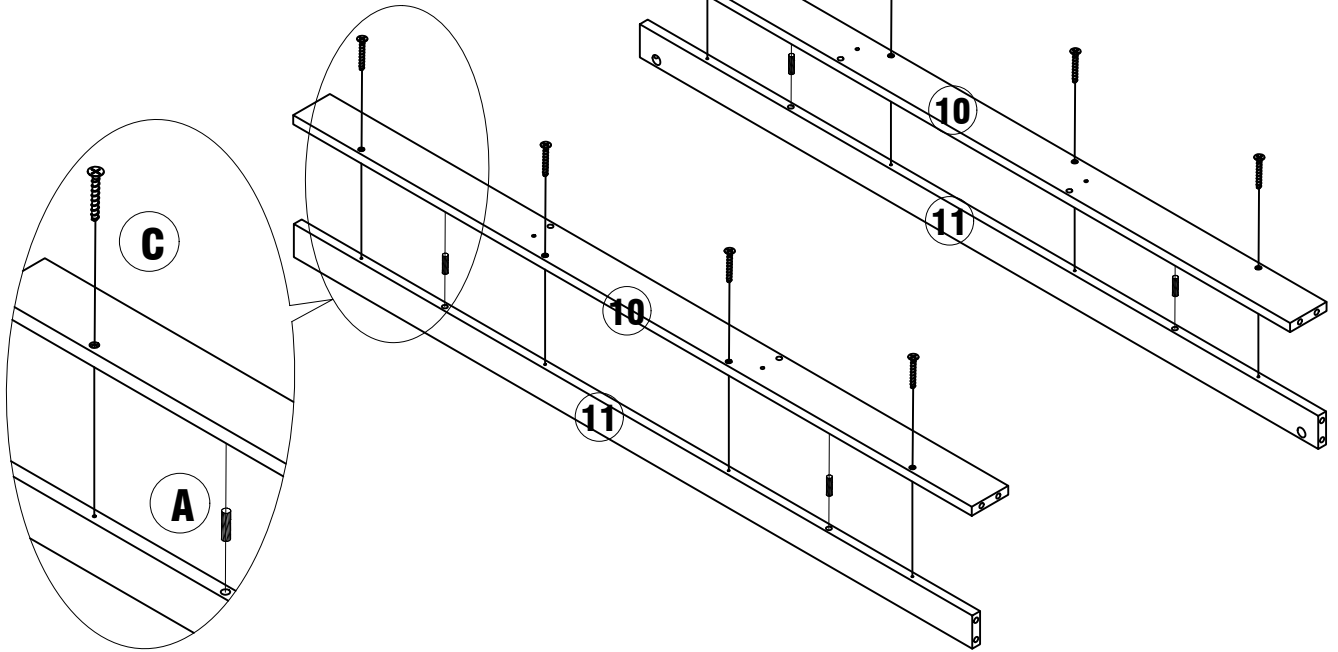
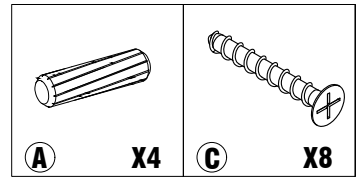
# STEP 3



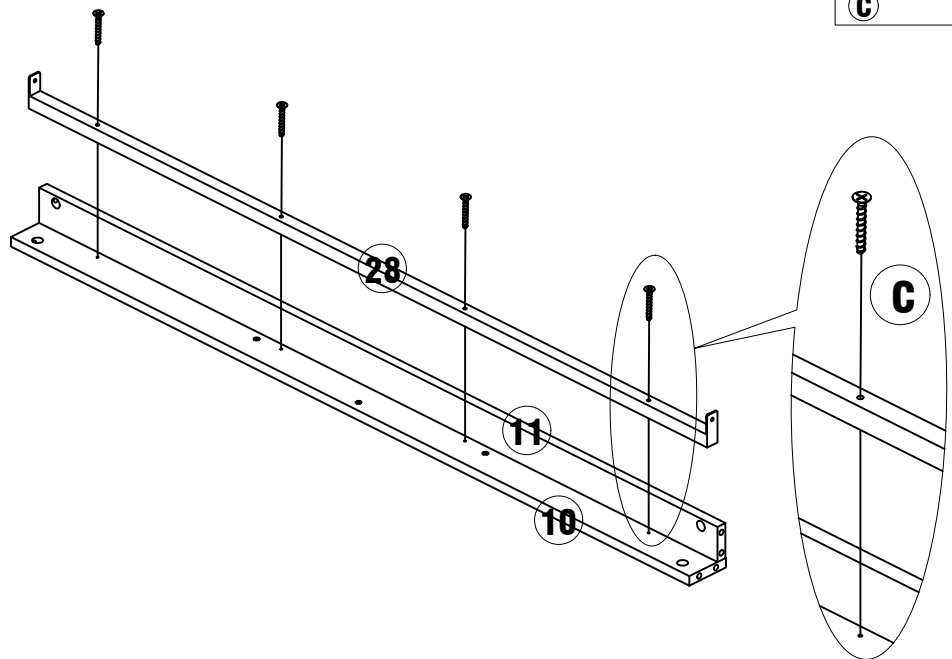
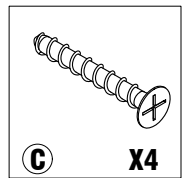
# STEP 4



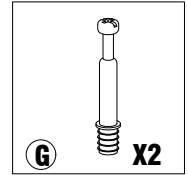
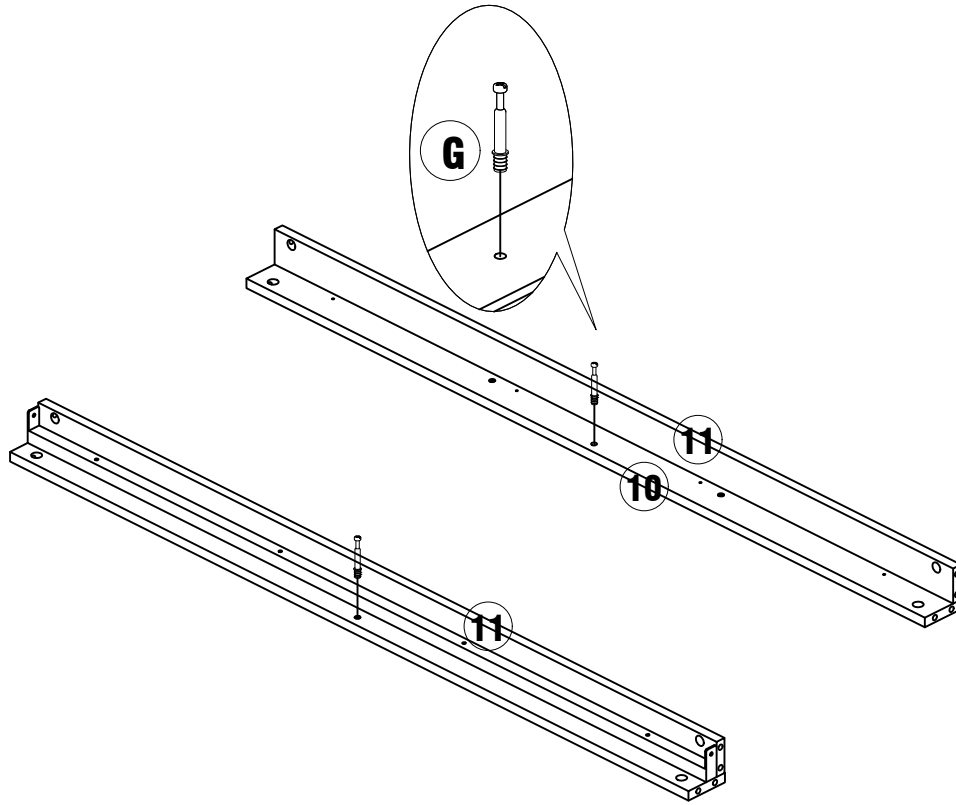
# STEP 5



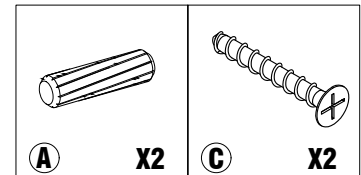
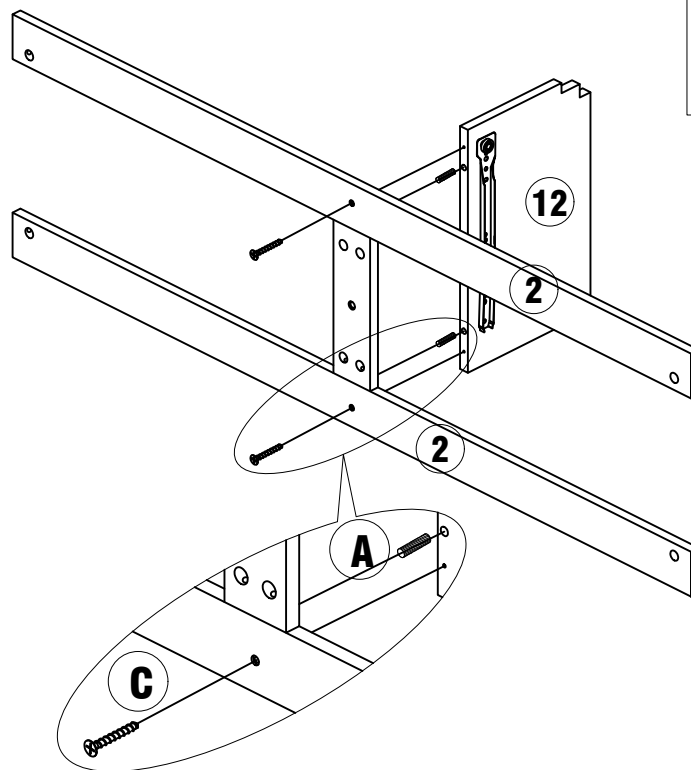
# STEP 6



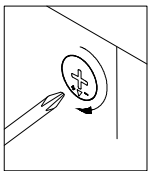
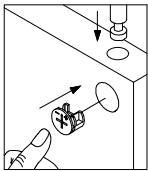
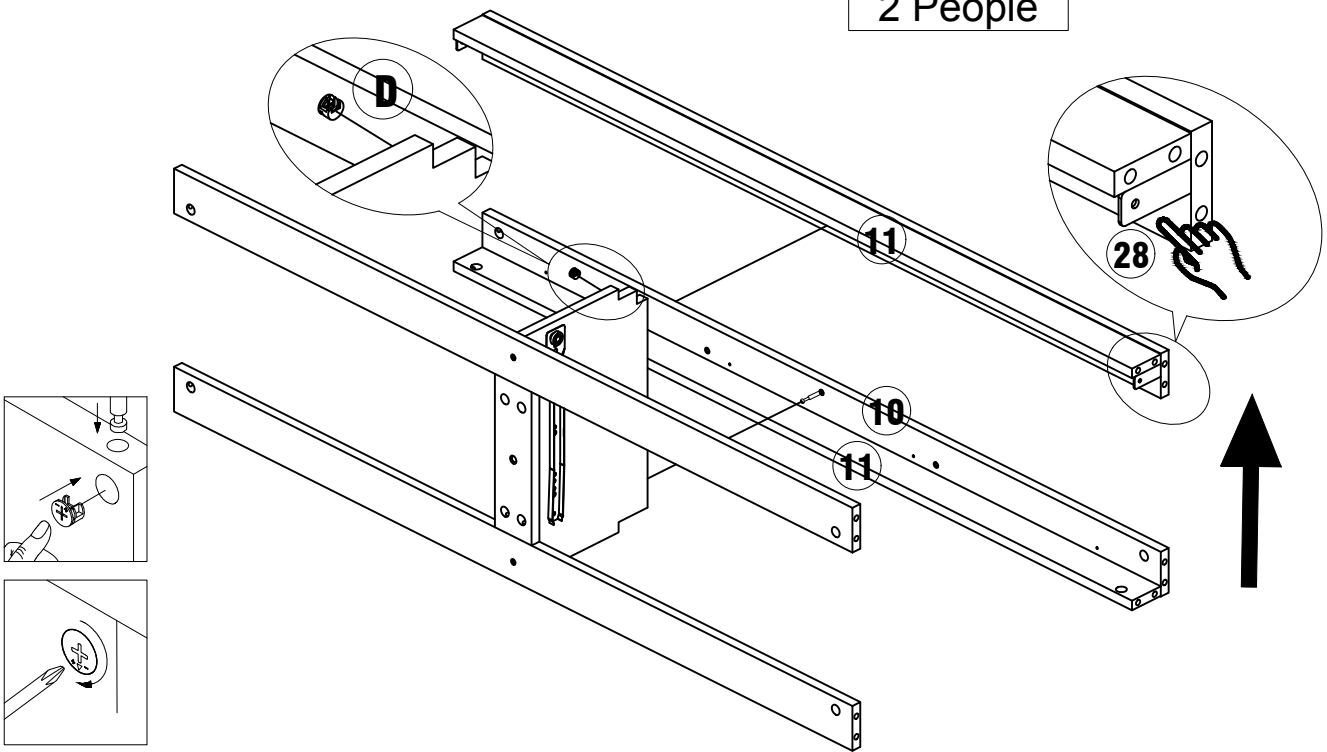
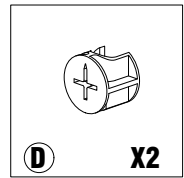
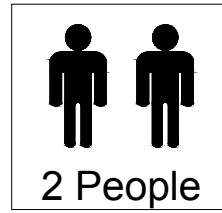
# STEP 7



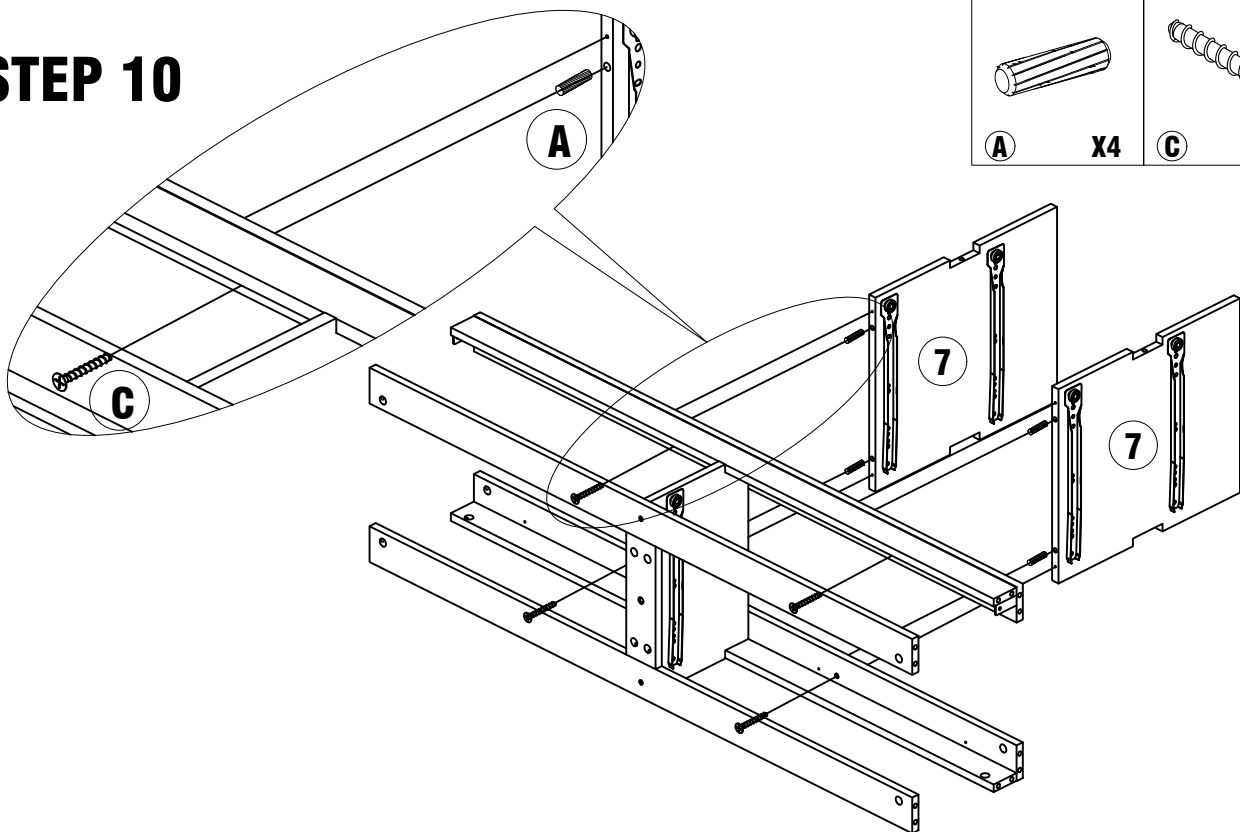
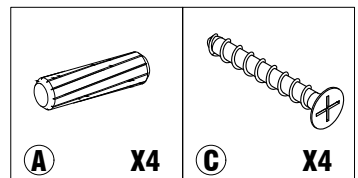
# STEP 8



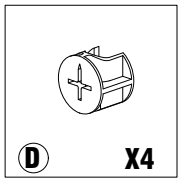
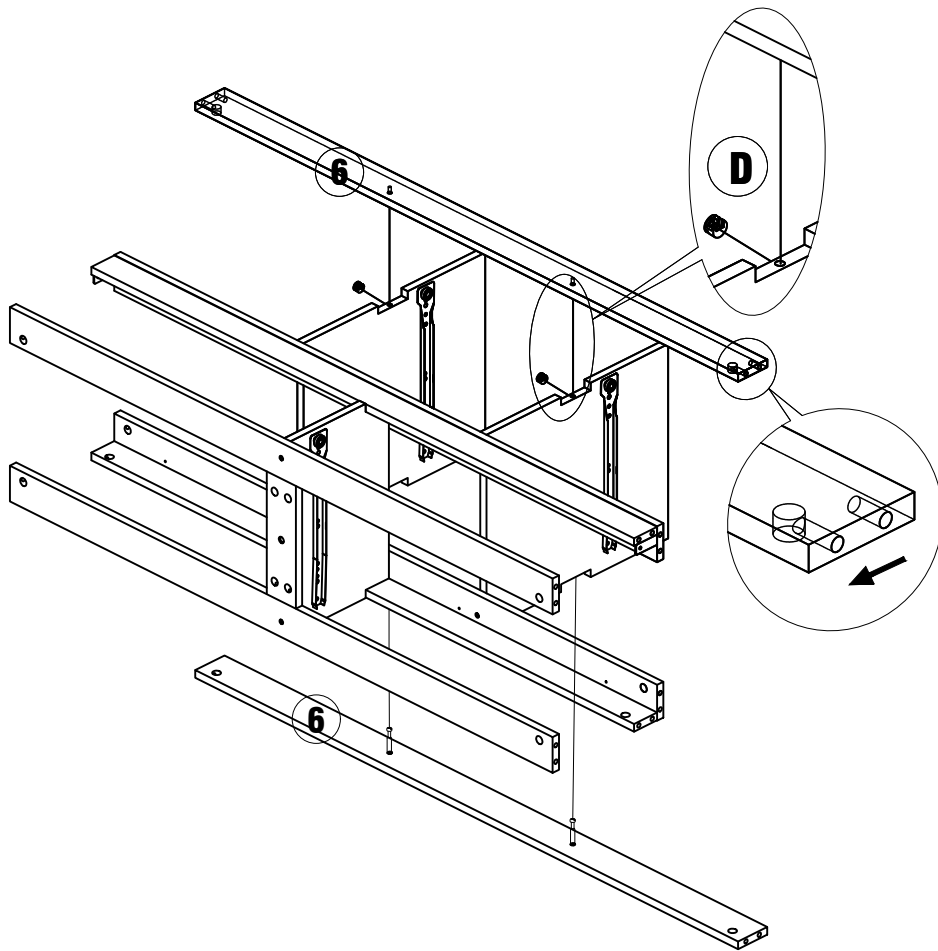
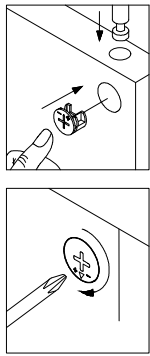
# STEP 9



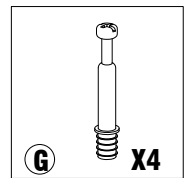
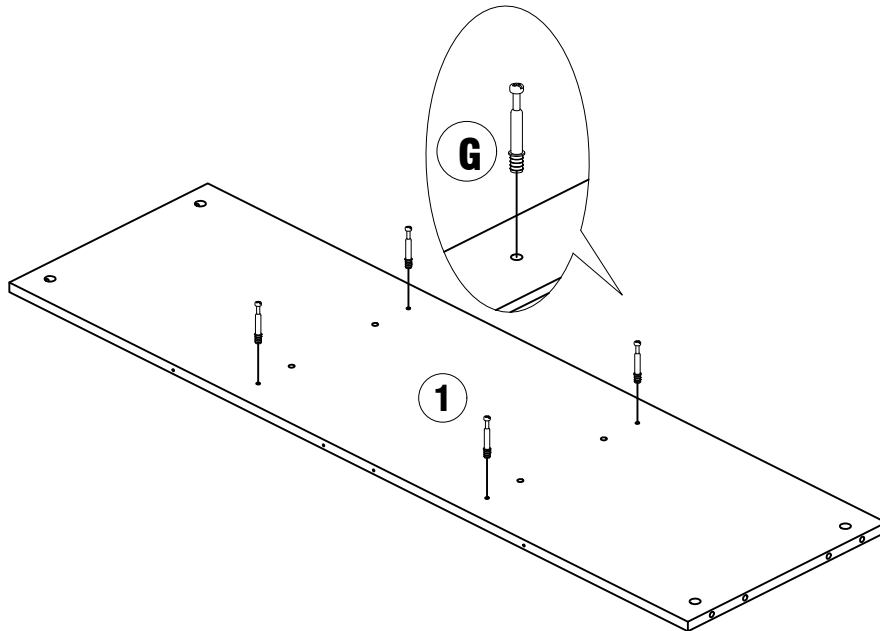
# STEP 10



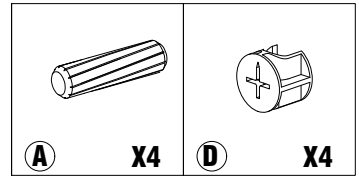
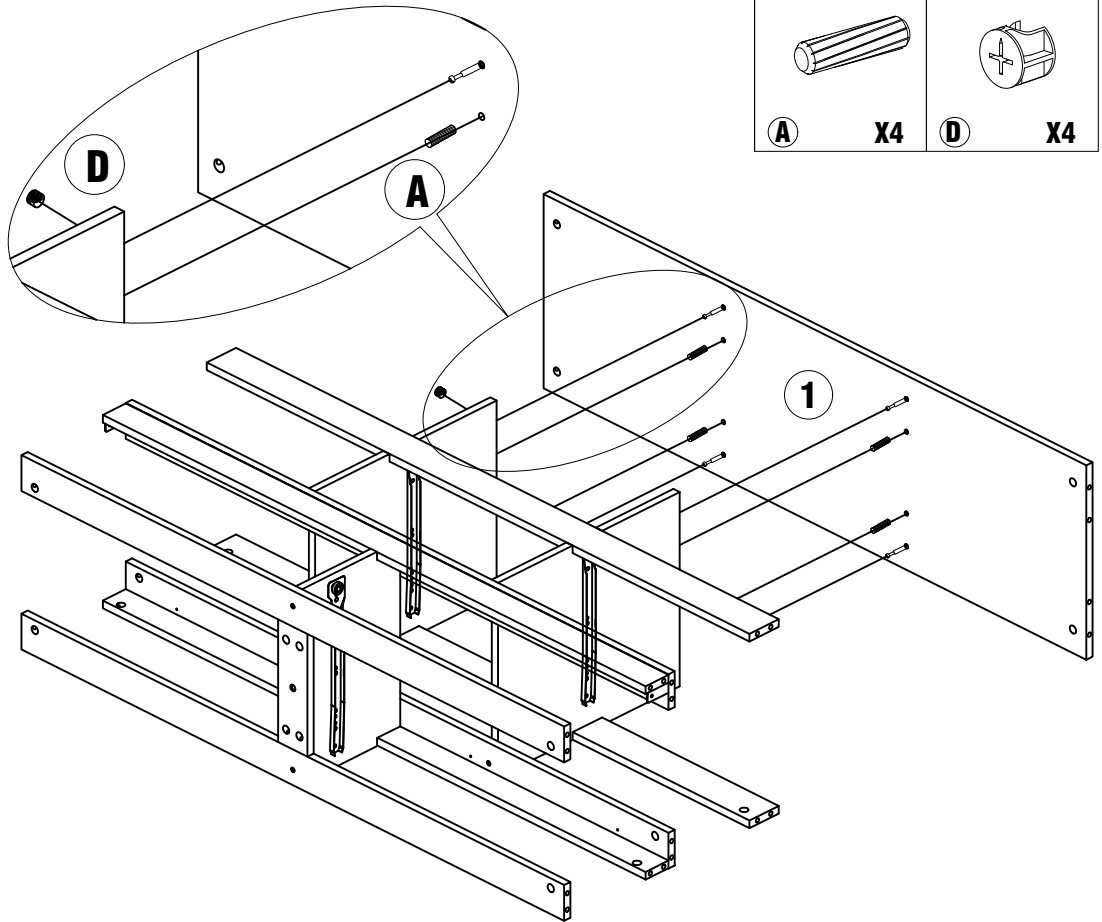
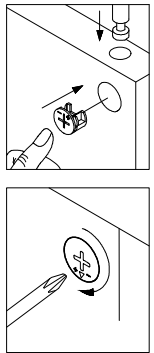
# STEP 11



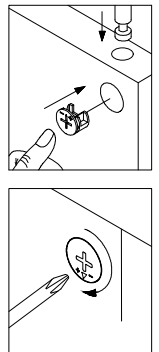
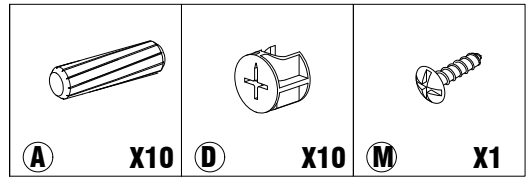
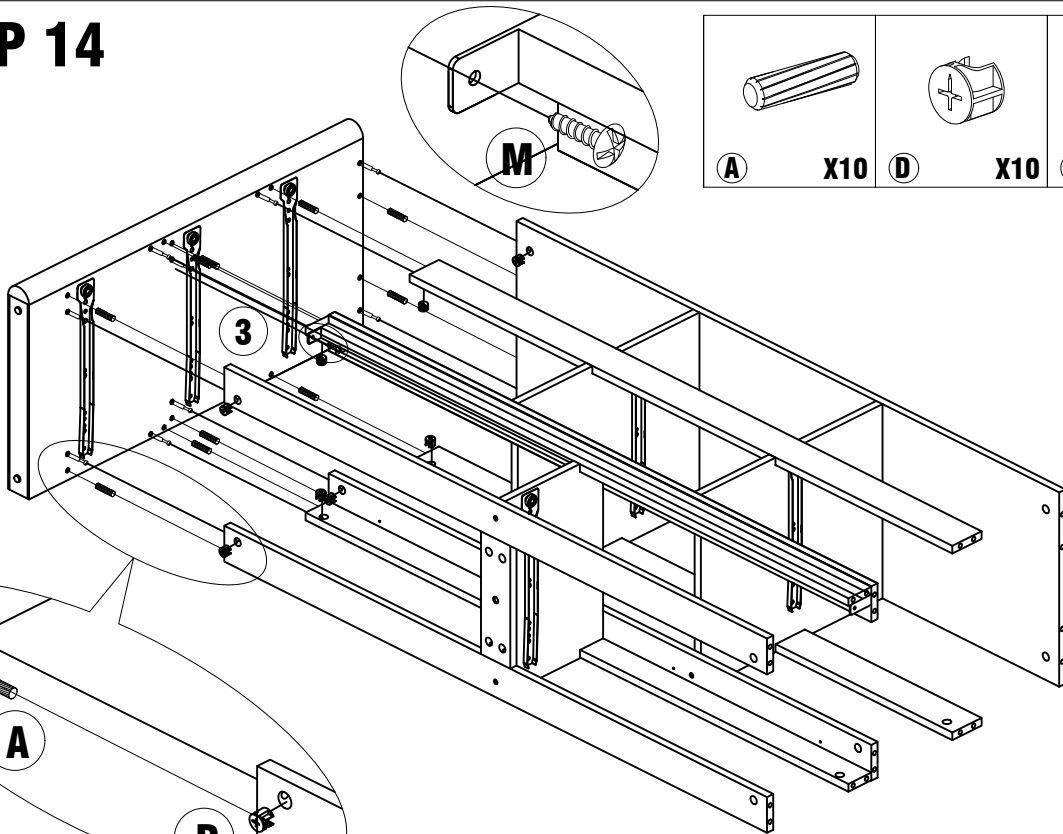
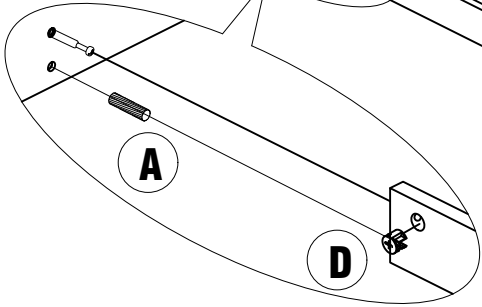
# STEP 12



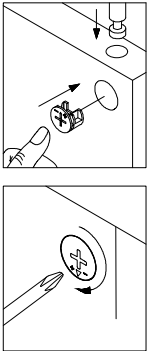
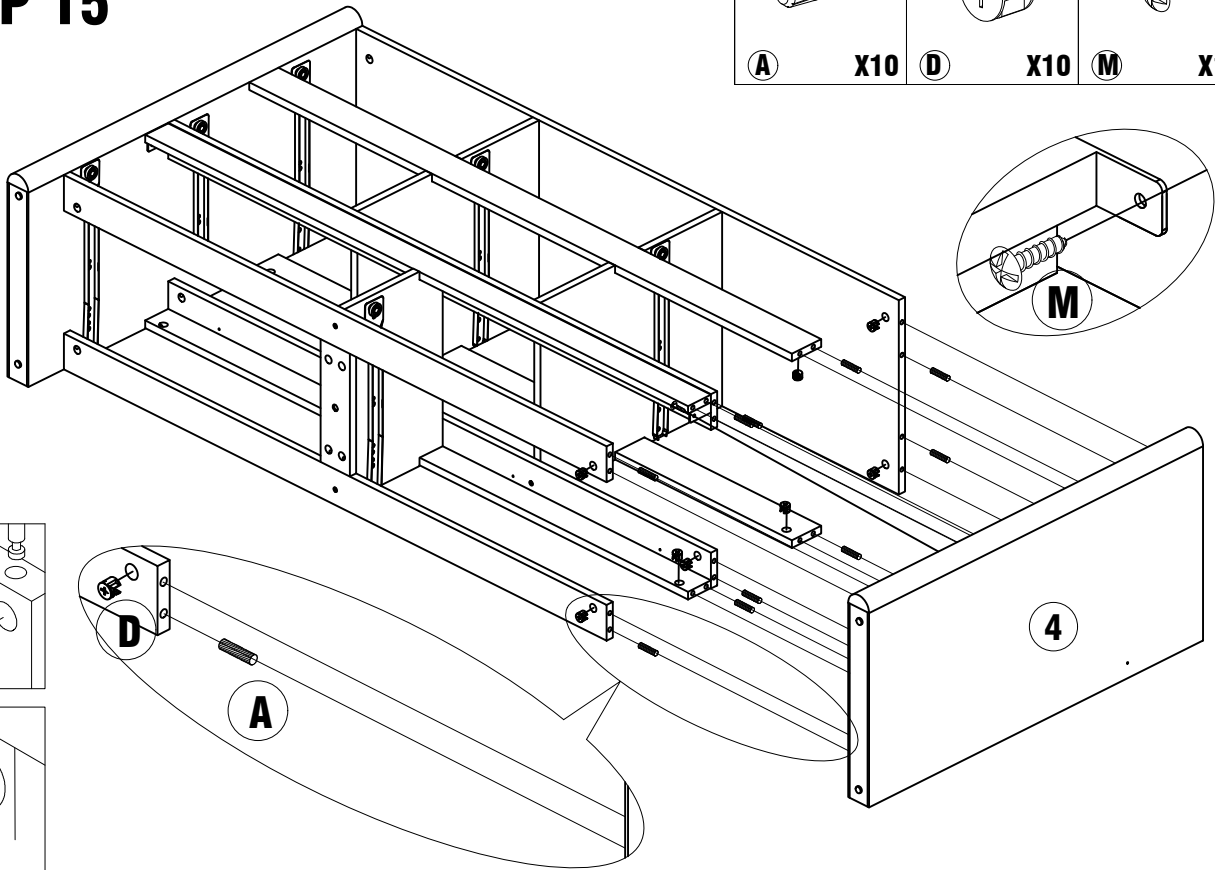
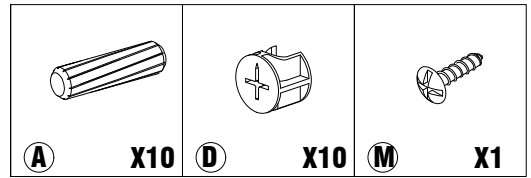
# STEP 13



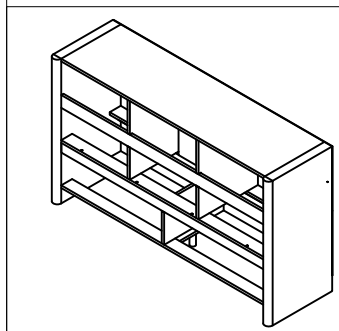
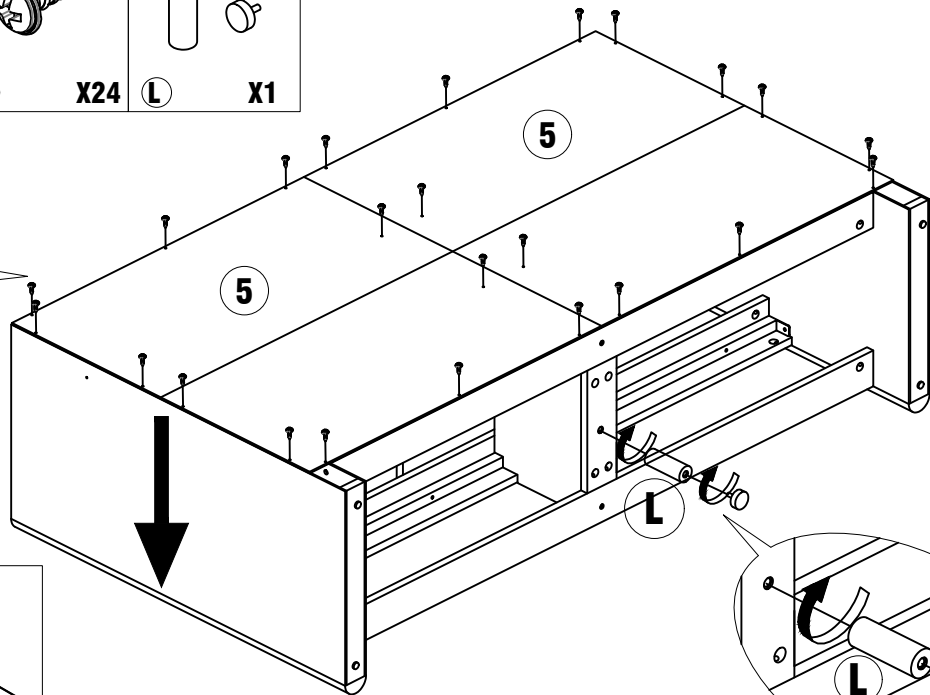
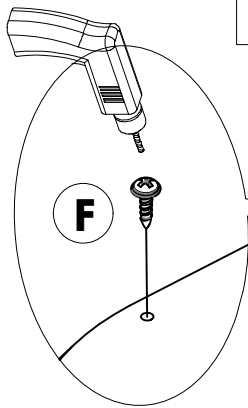
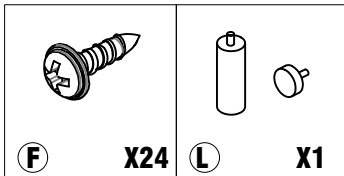
# STEP 14



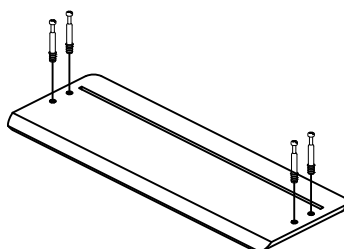
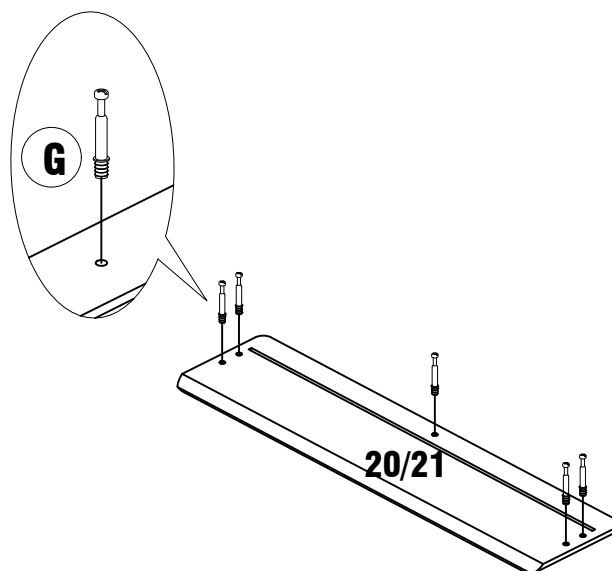
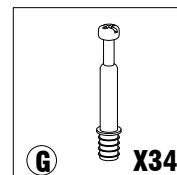
# STEP 15



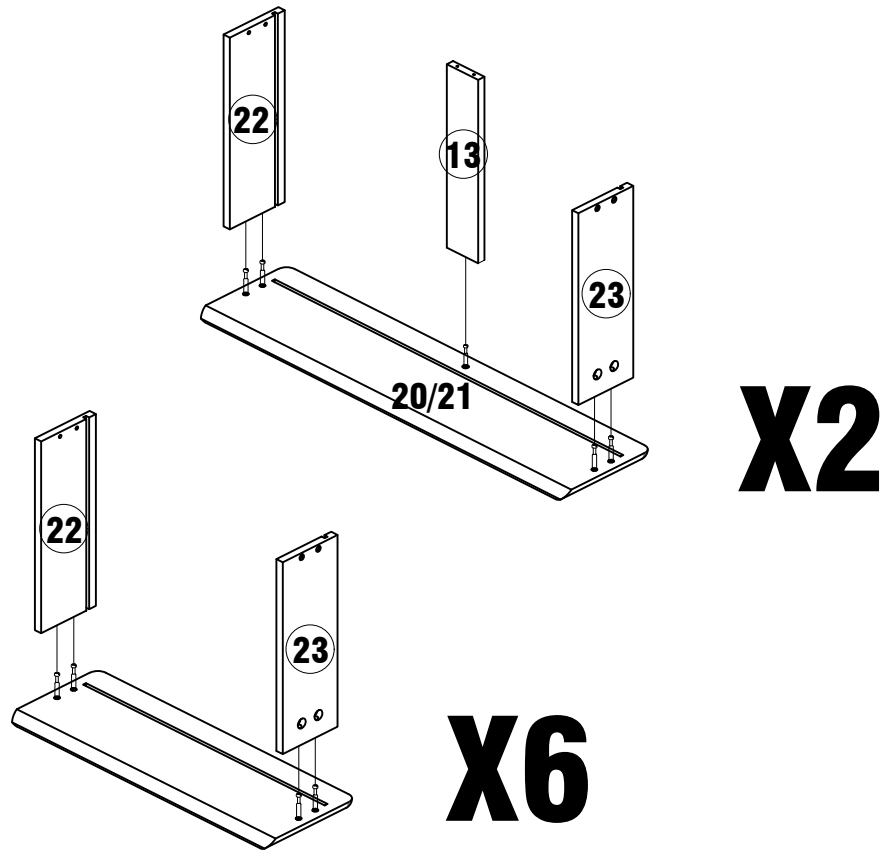
# STEP 16



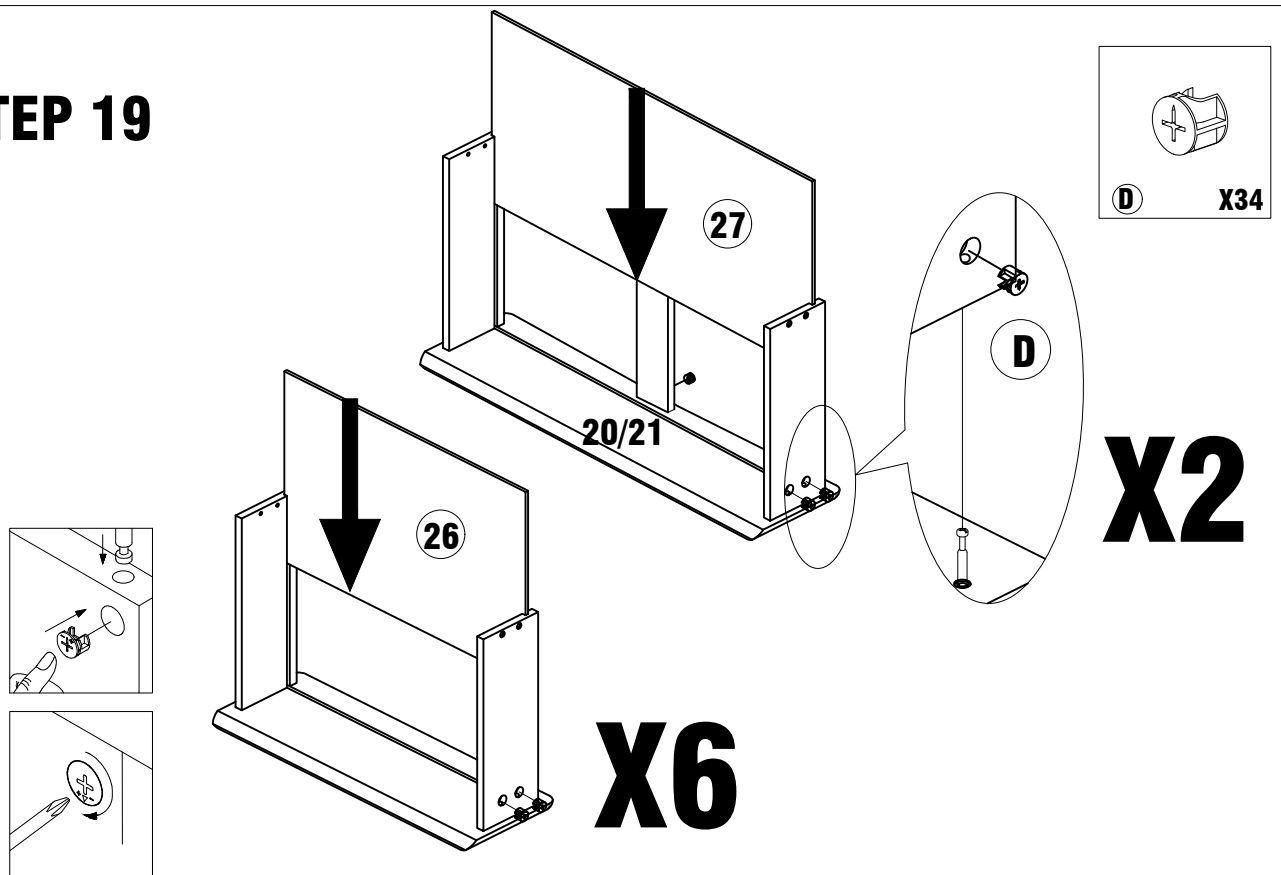
# STEP 17



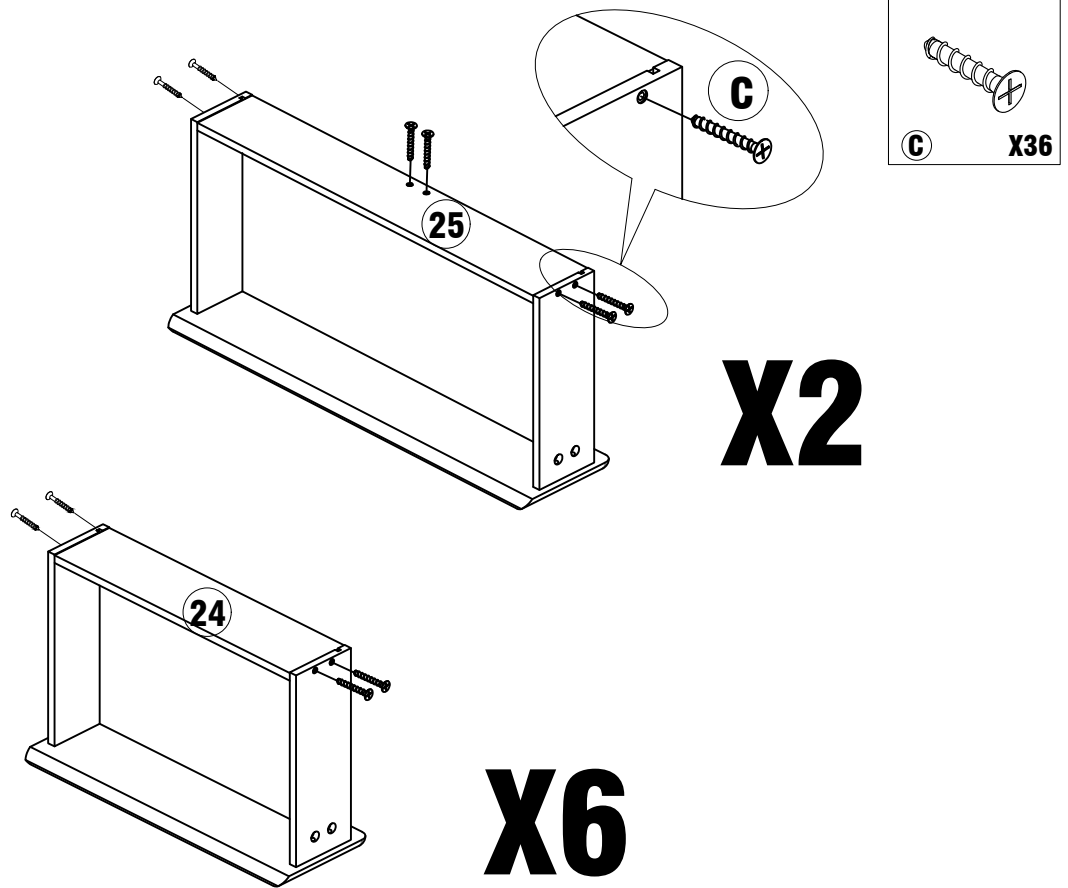
# STEP 18



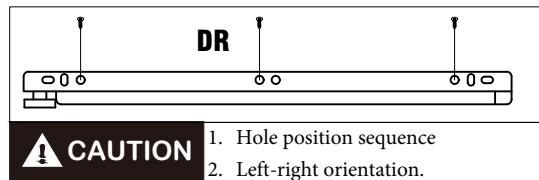
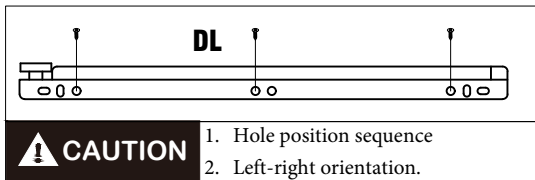
# STEP 19



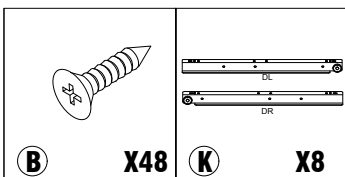
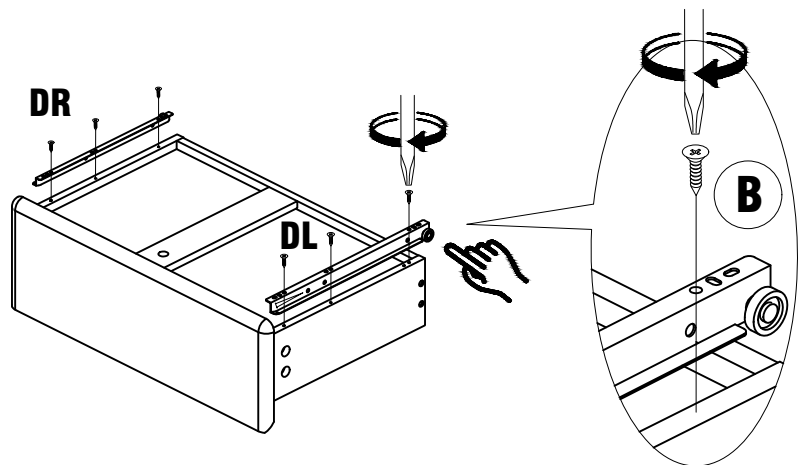
# STEP 20



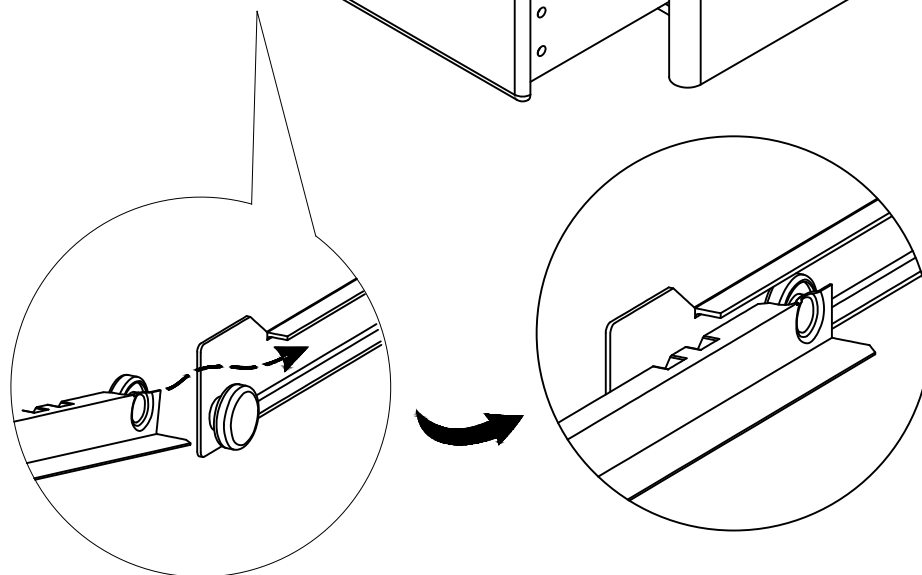
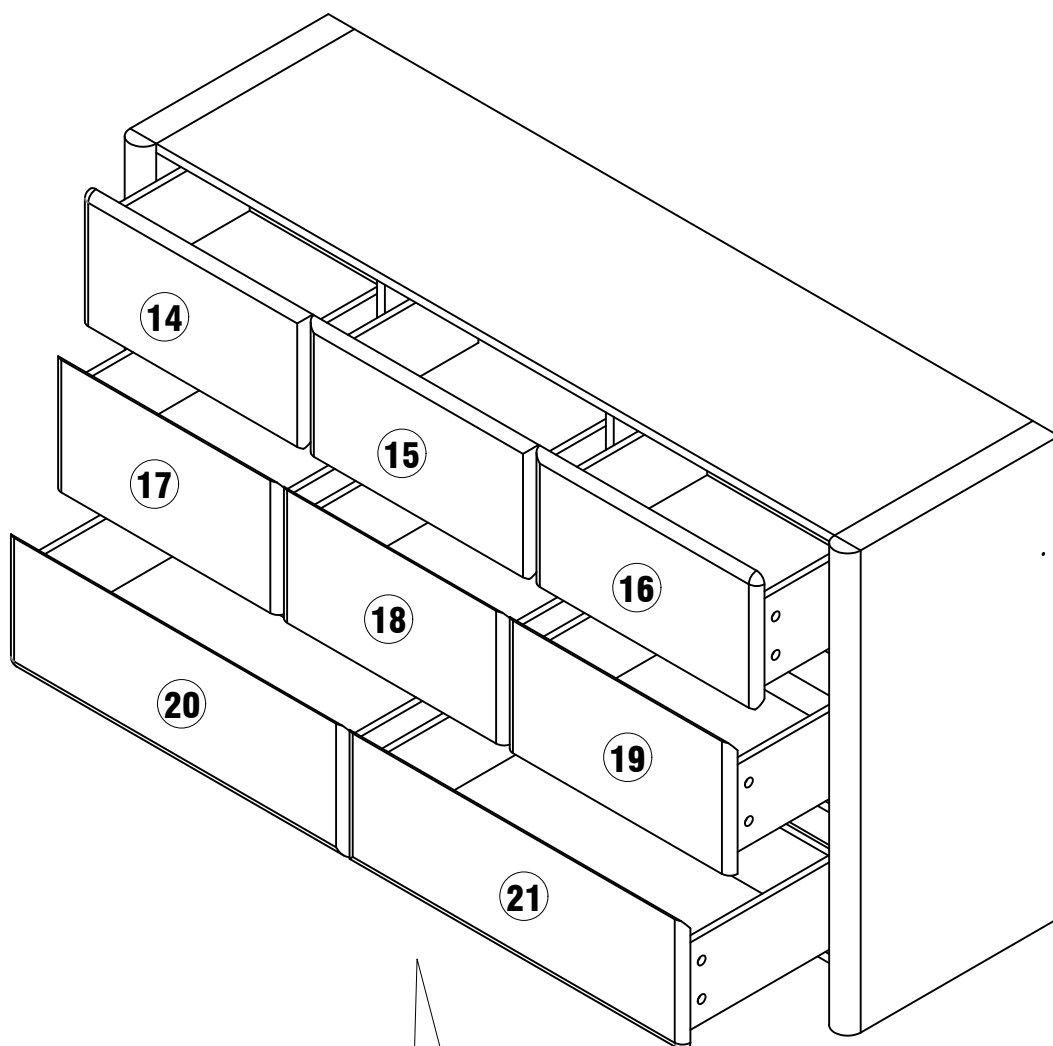
# STEP 21



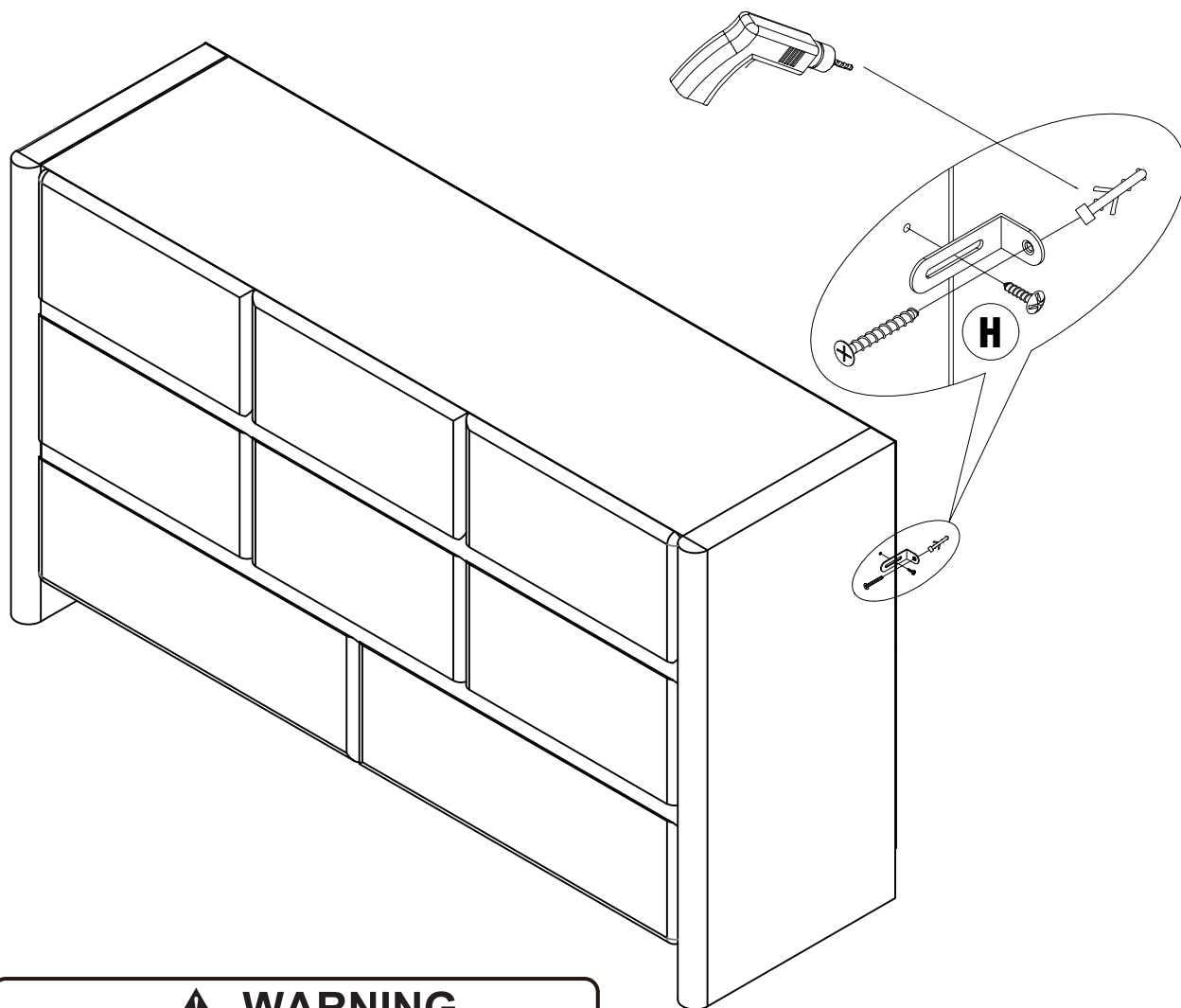
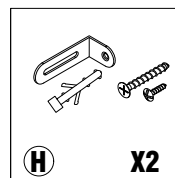
# X8



# STEP 22



# STEP 23



## ▲ WARNING



**Children have died from furniture tipover. To reduce the risk of furniture tipover:**

- ALWAYS install anti-tip device provided.
- NEVER put a TV on this product.
- NEVER allow children to stand, climb or hang on any drawers, doors, or shelves.
- NEVER open more than one drawer at a time.
- Place heaviest items in the lowest drawers.



*this is a permanent label.  
Do not remove!*