


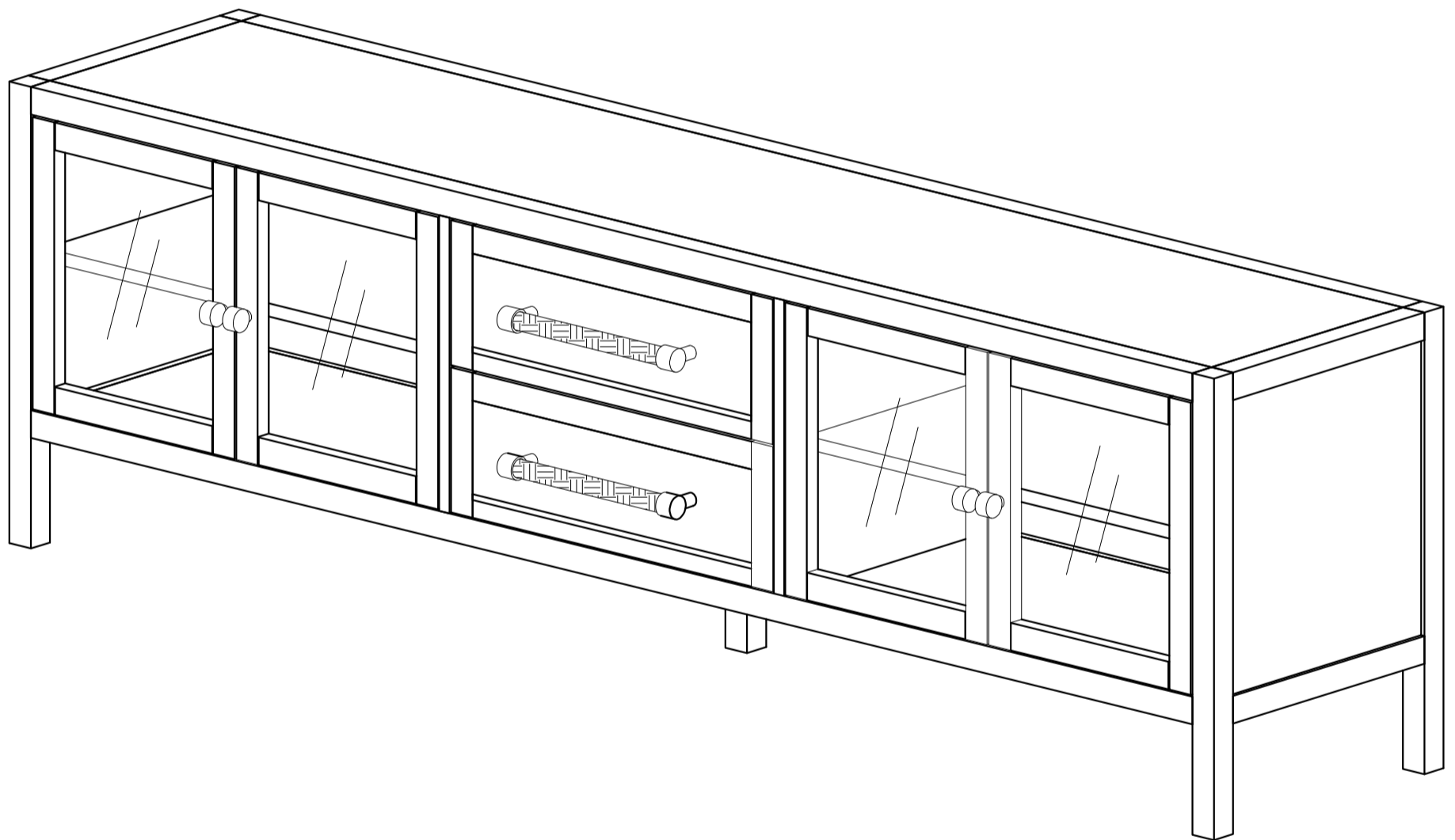


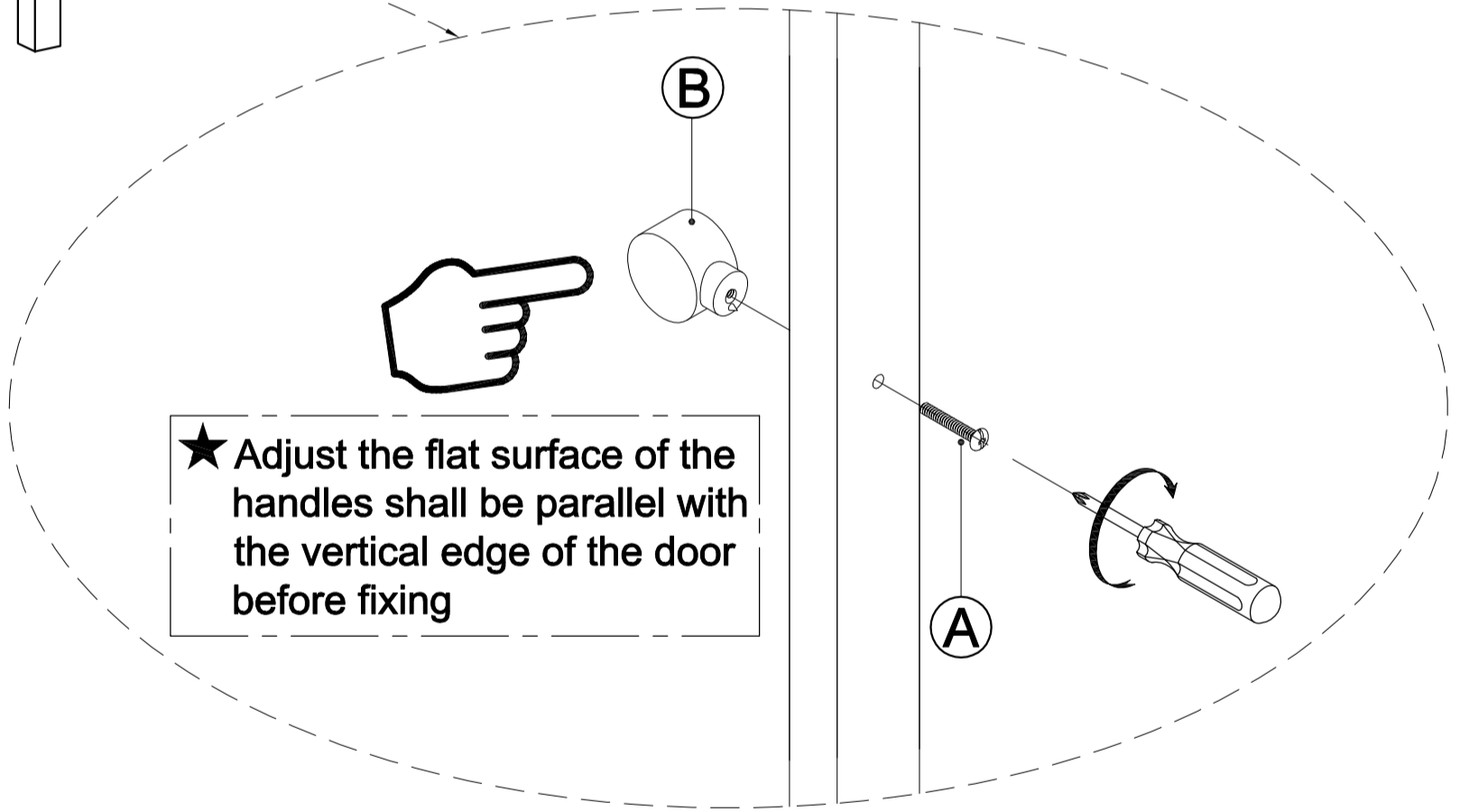
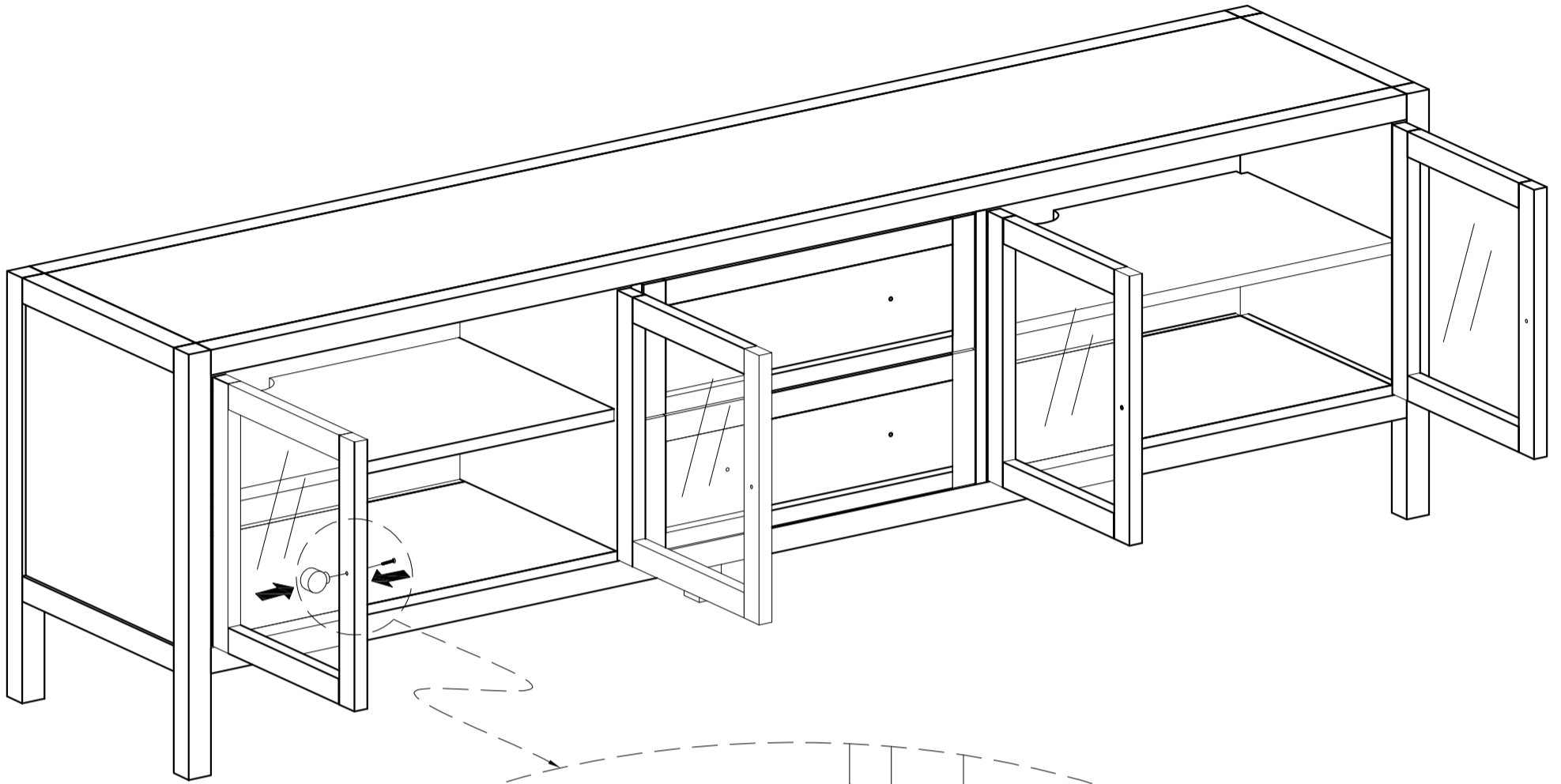
ASSEMBLY INSTRUCTION FOR CONSOLE

Hardware List

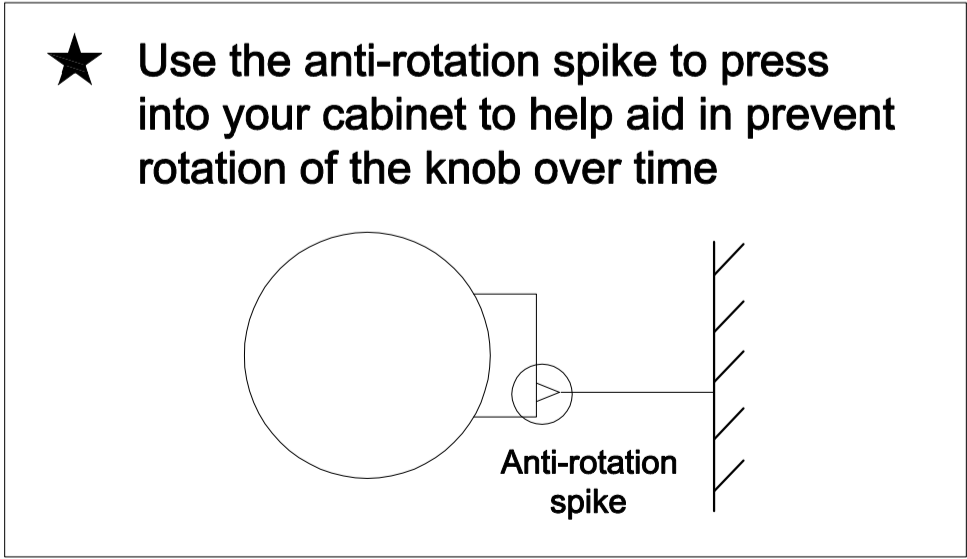
A		Bolt	4x25mm	4
B		Handle		4
C		Tipping Hardware		1 set



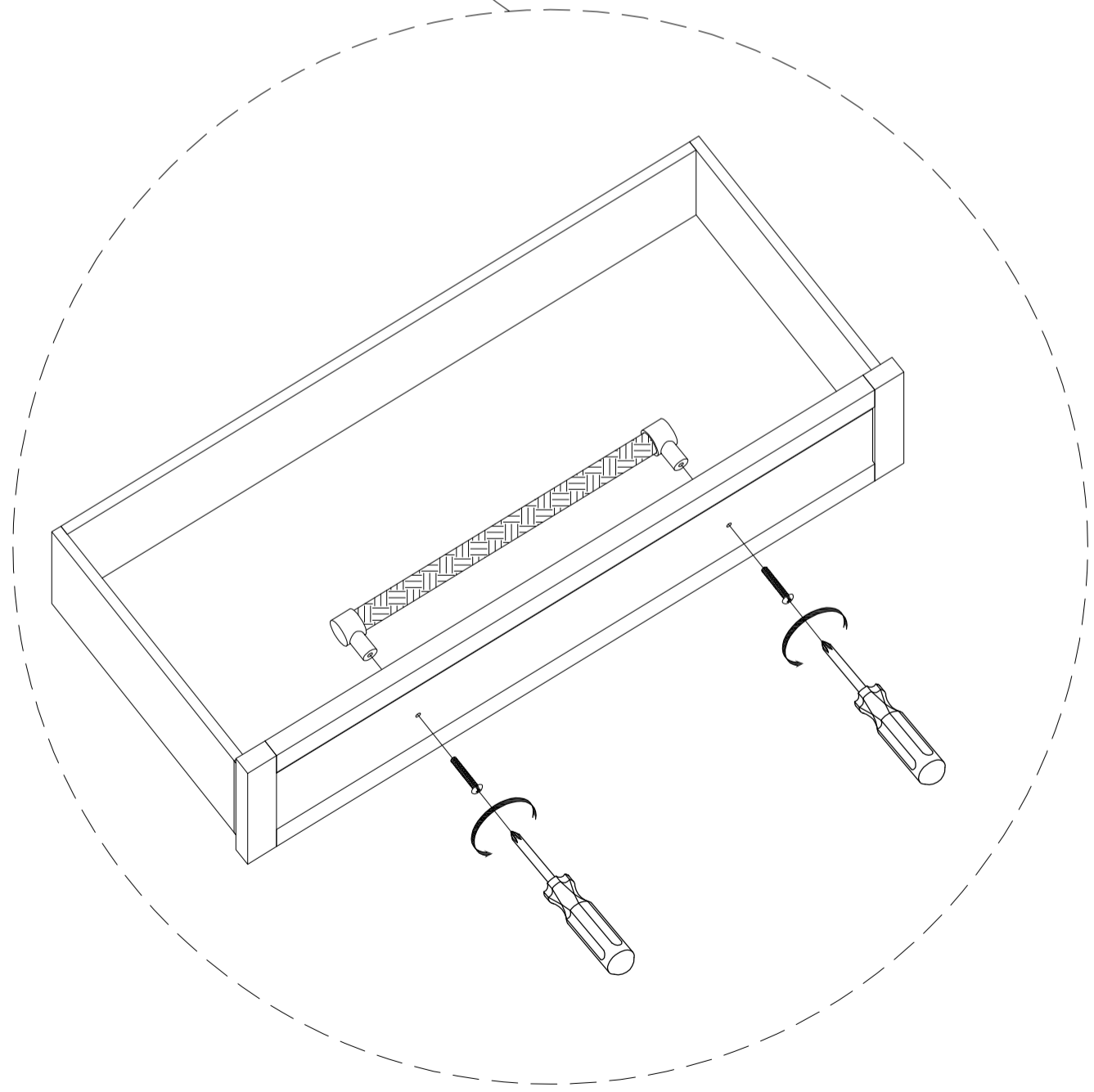
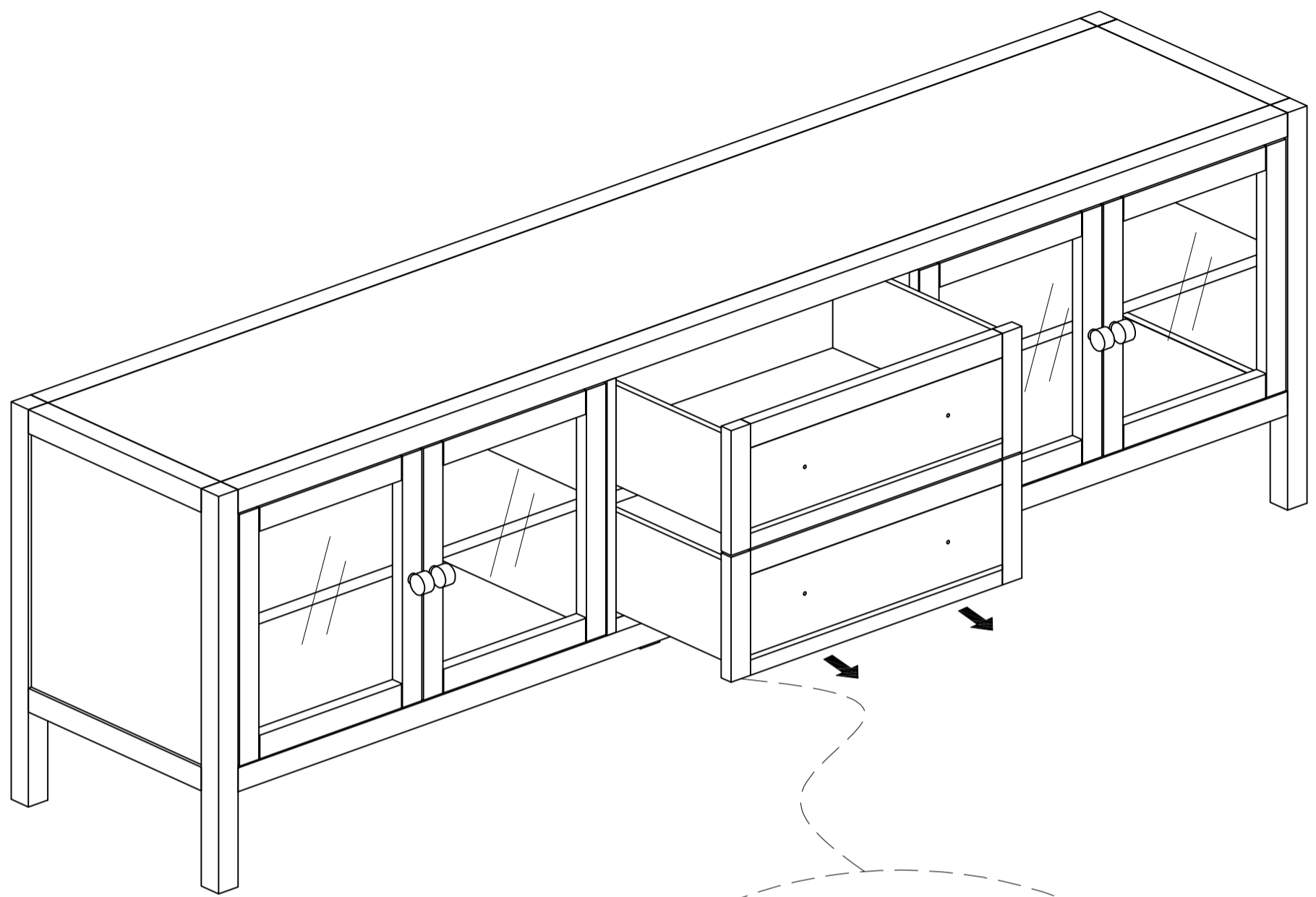
Step 1



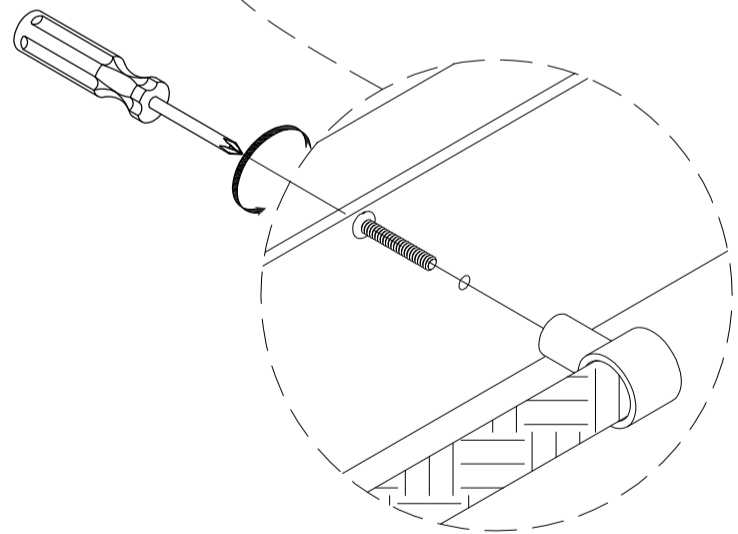
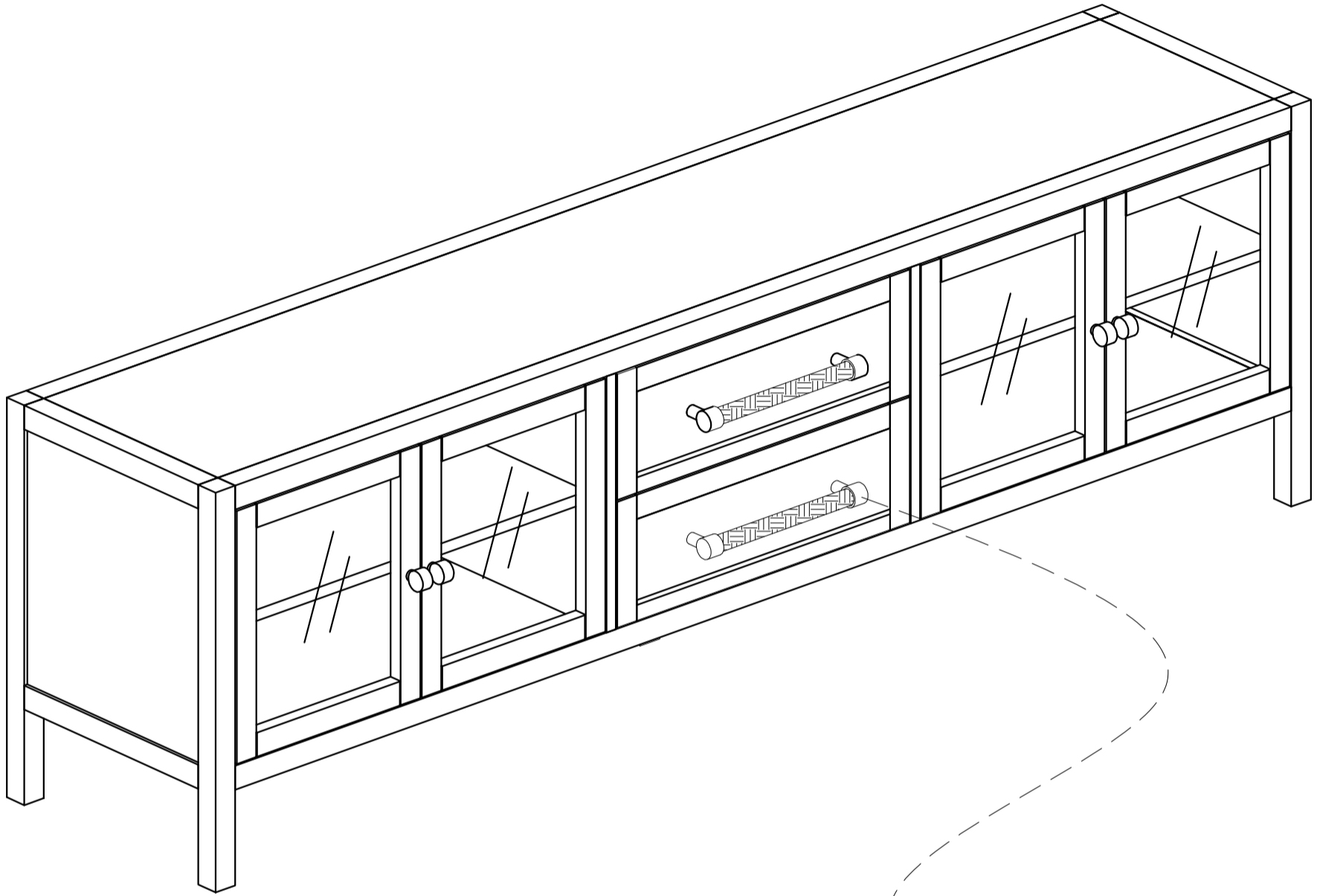
★ Adjust the flat surface of the handles shall be parallel with the vertical edge of the door before fixing



Step 2



Step 3



Step 4

★ **REMARK:** There is a tip restraint kit provided on the back of this product please read the direction thoroughly and install immediately

Tipping Hardware

