

ASSEMBLY INSTRUCTION

Thank you for purchasing this quality product. Be sure to check all packing material carefully for small parts which may have come loose inside the carton during shipment. Separate, identify and count all parts and hardware. Compare with the parts list to be sure all parts are present.

IMPORTANT : PLEASE READ INSTRUCTION BEFORE STARTING THE ASSEMBLY.

"DO NOT TIGHTEN SCREWS UNTIL COMPLETELY ASSEMBLED"

"DO NOT OVERTIGHT ANY HARDWARE"

WARNING : SMALL PARTS AND HARDWARE NOT FOR CHILDREN UNDER 3 YEARS. ADULT ASSEMBLY REQUIRED.

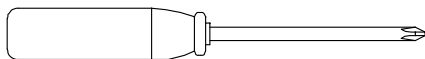
TABLE OF CONTENTS

HARDWARES LIST	PAGE 2 - 3
PARTS LIST	PAGE 3 - 4
PARTS' LOCATION	PAGE 5
ASSEMBLY STEPS	PAGE 6 - 17
ASSEMBLY COMPLETED	PAGE 18

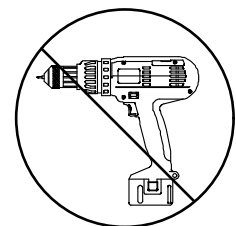
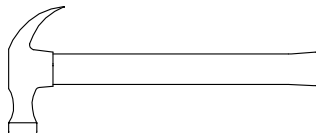
ASSEMBLY TOOLS REQUIRED

Skip the power trip this time.

1. Screwdriver (not provide)





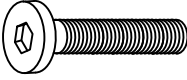
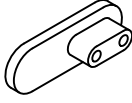
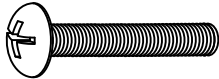
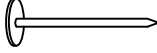



2. Hammer (not provide)



ASSEMBLY INSTRUCTION

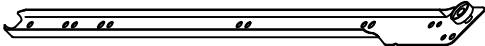
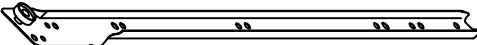

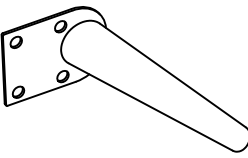
HARDWARES LIST

ITEM	DESCRIPTION	DRAWING	QTY
A	MINIFIX CAM LOCK		23 PCS
B	MINIFIX CAM BOLT		23 PCS
C	WOOD DOWEL (M8 x 25MM)		10 PCS
D	WOOD DOWEL (M6 x 25MM)		16 PCS
E	JCBC SCREW M6 x 16MM		8 PCS
F	HANDLE		2 PCS
G	TRUSS M-SCREW (18MM)		4 PCS
H	6/8" NAIL		12 PCS
I	M4 ALLEN KEY (65MM)		1 PC

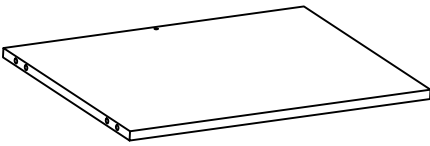
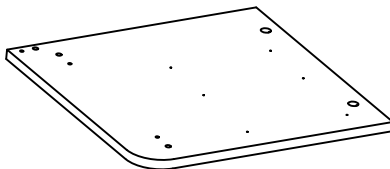
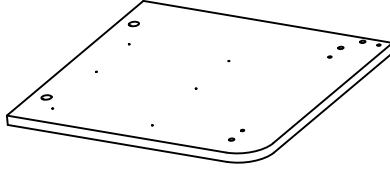
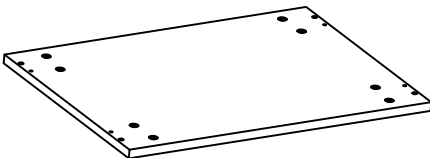
MORE HARDWARES DETAIL IN NEXT PAGE...

ASSEMBLY INSTRUCTION

HARDWARES LIST

ITEM	DESCRIPTION	DRAWING	QTY
J	LEFT DRAWER SLIDE		2 PCS
K	RIGHT DRAWER SLIDE		2 PCS
L	CSK SCREW M3 x 10mm		16 PCS
M	METAL SUPPORT LEG		4 PCS

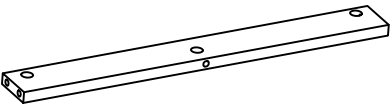

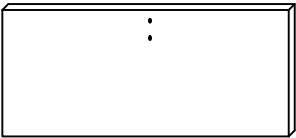
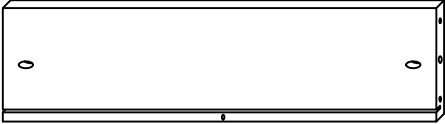

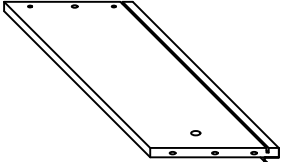
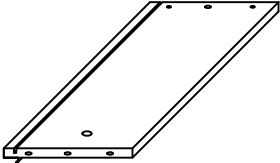
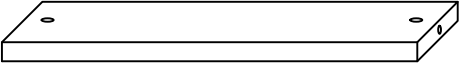
PARTS LIST

ITEM	DESCRIPTION	DRAWING	QTY
N1	TOP PANEL		1 PC
N2	LEFT PANEL		1 PC
N3	RIGHT PANEL		1 PC
N4	BOTTOM PANEL		1 PC

MORE PARTS DETAIL IN NEXT PAGE...

ASSEMBLY INSTRUCTION

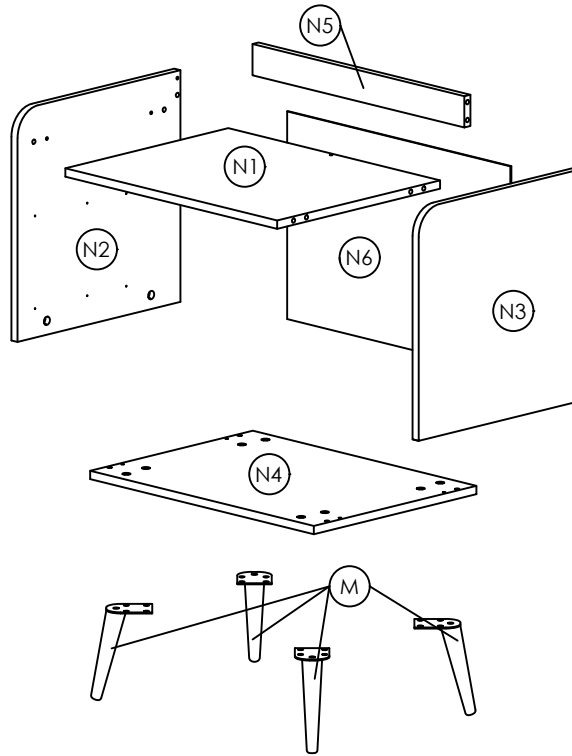
PARTS LIST

ITEM	DESCRIPTION	DRAWING	QTY
N5	TOP BACK RAIL		1 PC
N6	BACK PANEL		1 PC
N7	DRAWER HEAD		2 PCS
N8	DRAWER BACK PANEL		2 PCS
N9	DRAWER BOTTOM PANEL		2 PCS
19	DRAWER LEFT PANEL		2 PCS
20	DRAWER RIGHT PANEL		2 PCS
21	DRAWER BOTTOM SUPPORT RAIL		2 PCS

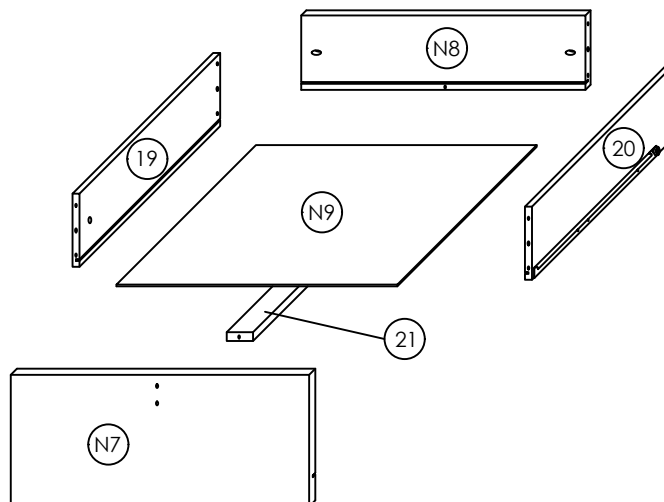
ASSEMBLY INSTRUCTION

PARTS ' LOCATION

NIGHTSTAND x 1 PC



DRAWER x 2 PCS

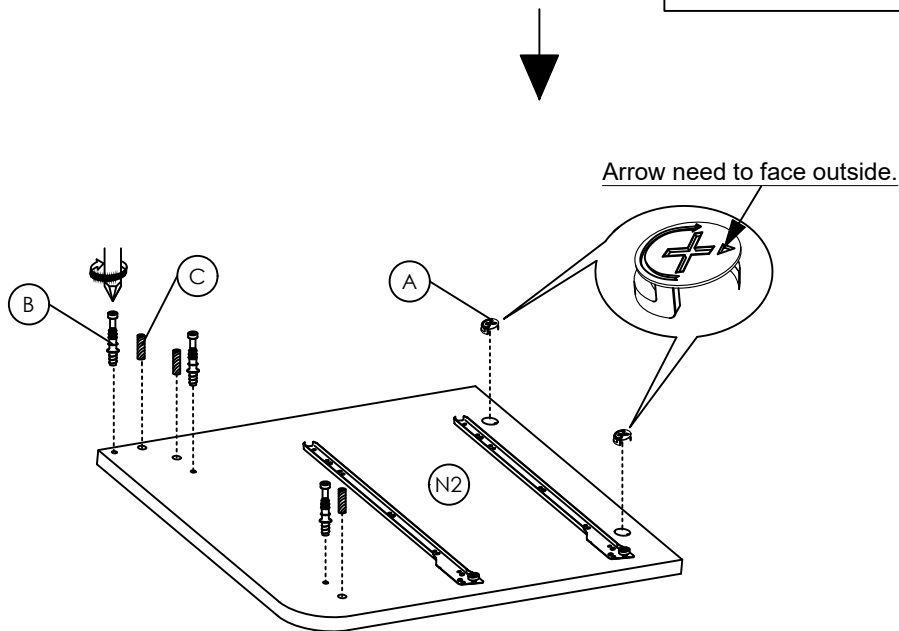
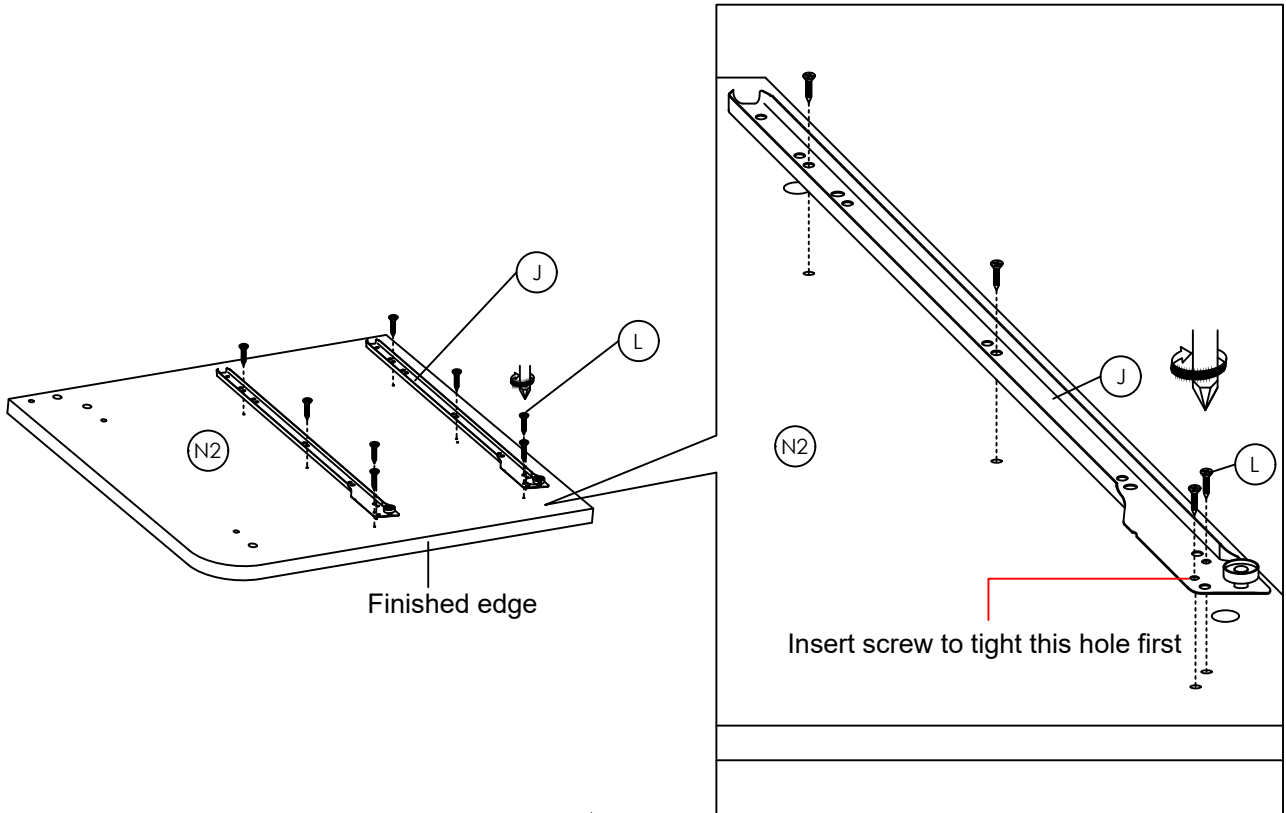


ASSEMBLY INSTRUCTION

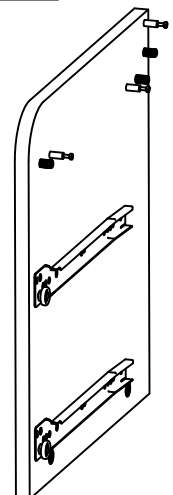
ASSEMBLY STEPS

STEP 1

Fix the 2 pieces (J) to the (N2) by using 8 pieces (L). Then insert 2 pieces (A) and 3 pieces (B) and (C) as shown.



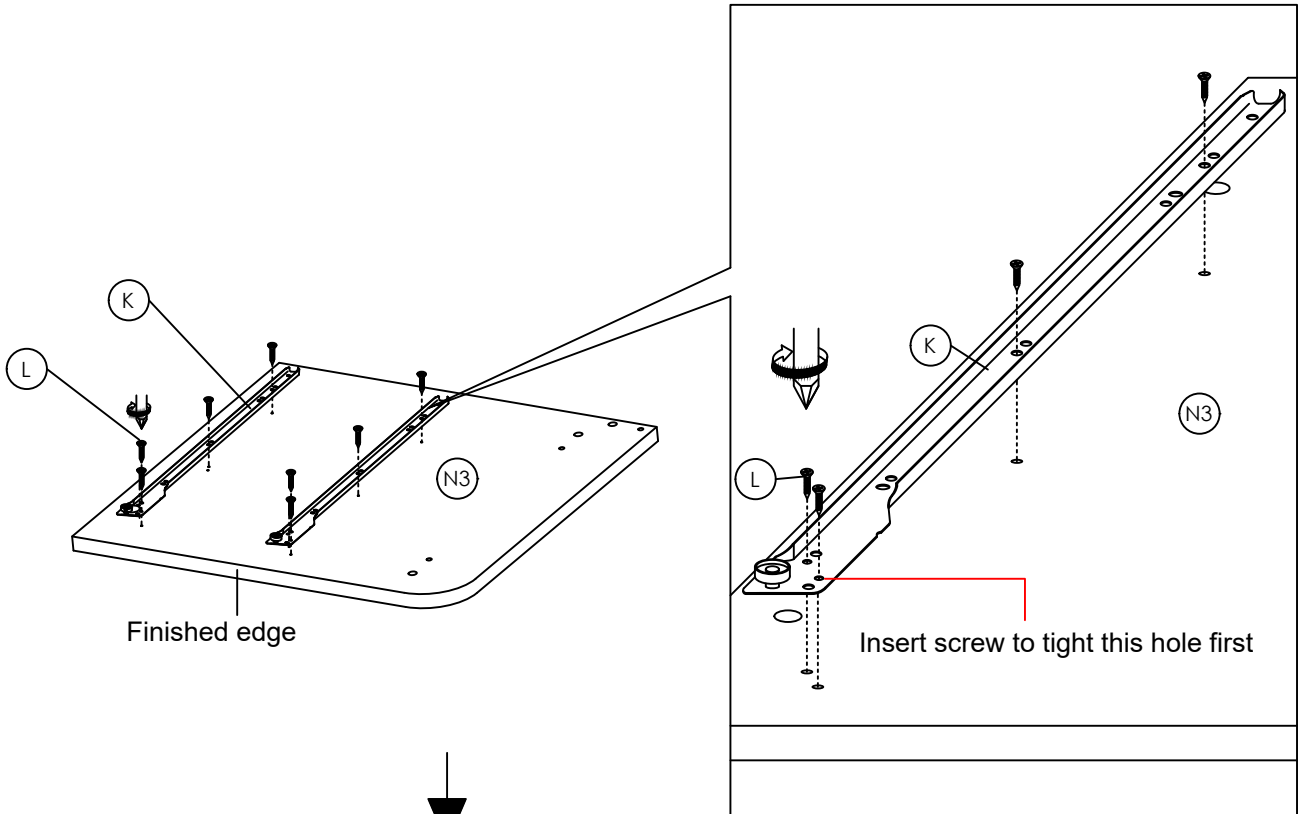
Assembled looks



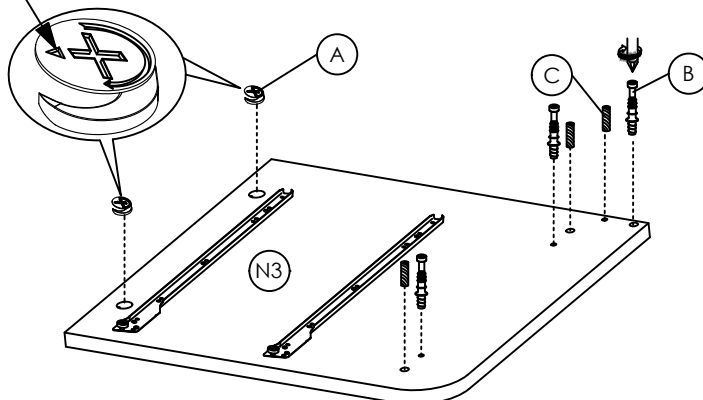
ASSEMBLY INSTRUCTION

STEP 2

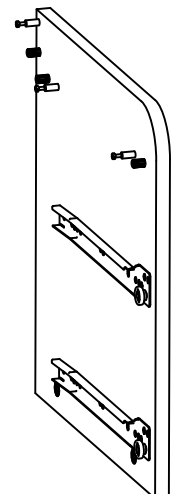
Fix the 2 pieces (K) to the (N3) by using the remaining 8 pieces (L). Then insert 2 pieces (A) and 3 pieces (B) and (C) as shown.



Arrow need to face outside.



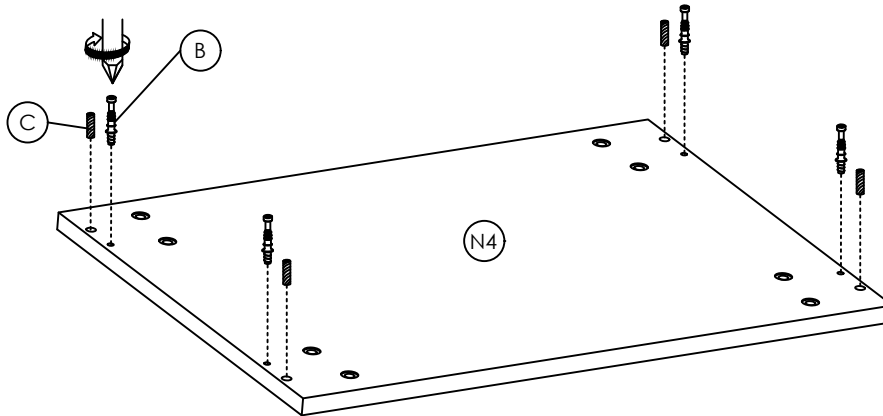
Assembled looks



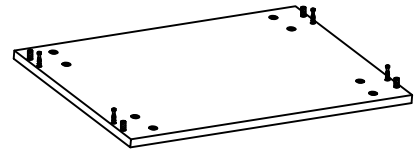
ASSEMBLY INSTRUCTION

STEP 3

Insert 4 pieces (B) and (C) to the (N4) as shown.

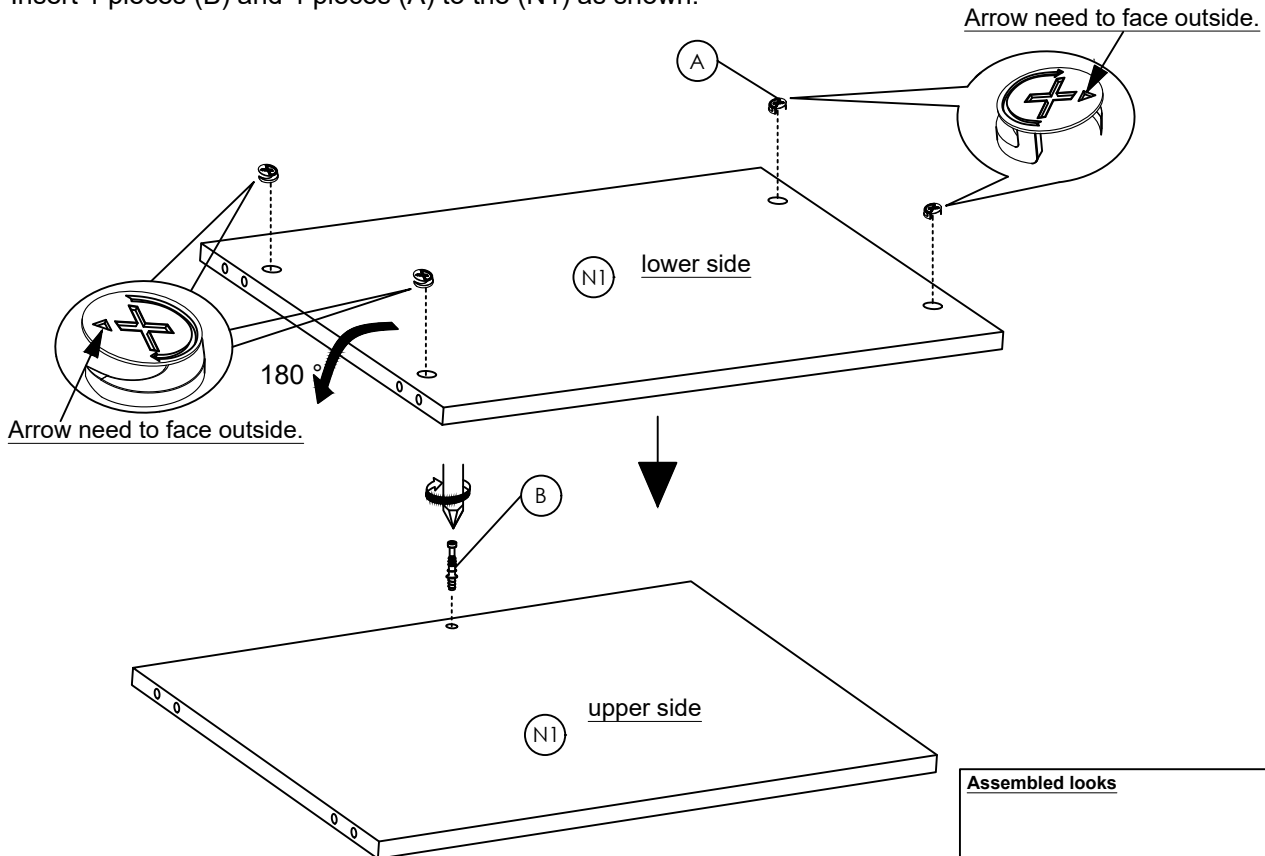


Assembled looks

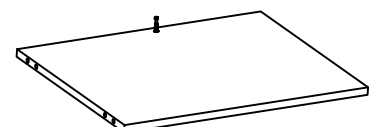


STEP 4

Insert 1 pieces (B) and 4 pieces (A) to the (N1) as shown.



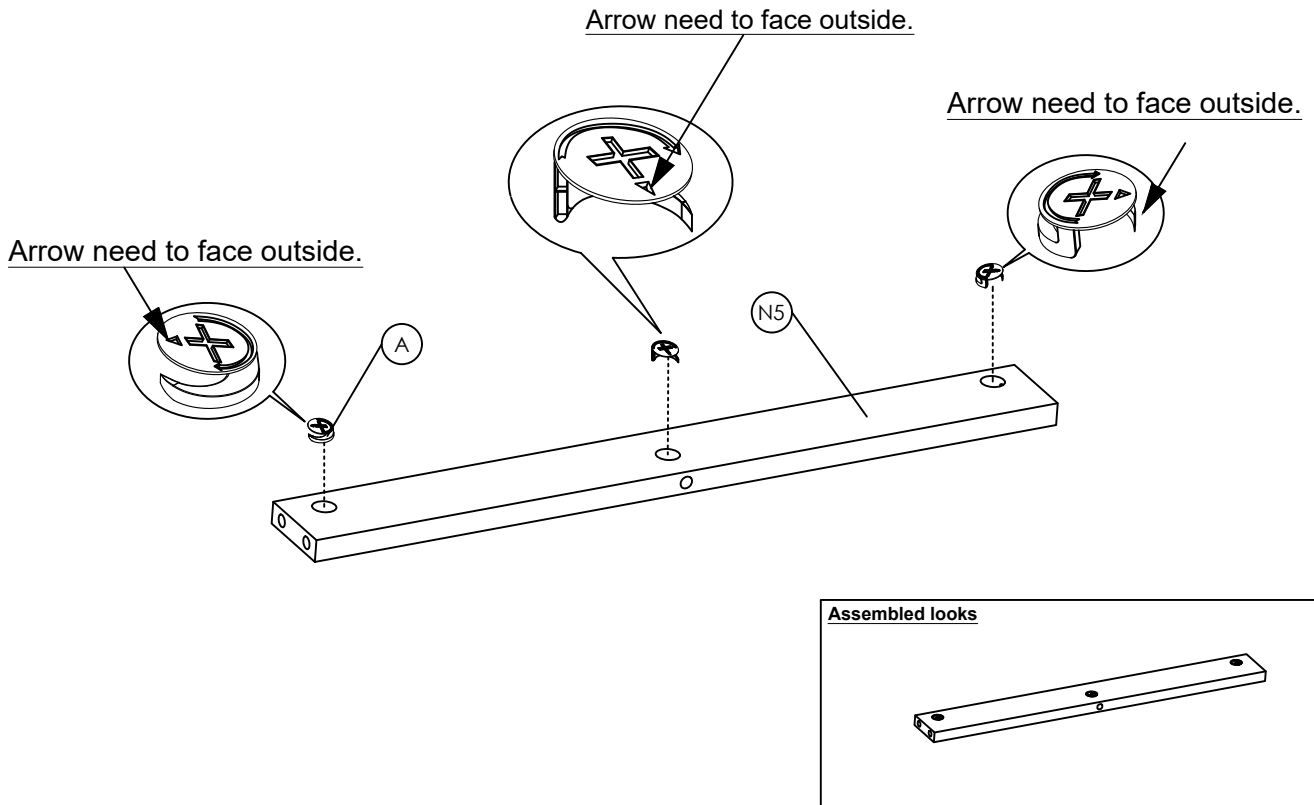
Assembled looks



ASSEMBLY INSTRUCTION

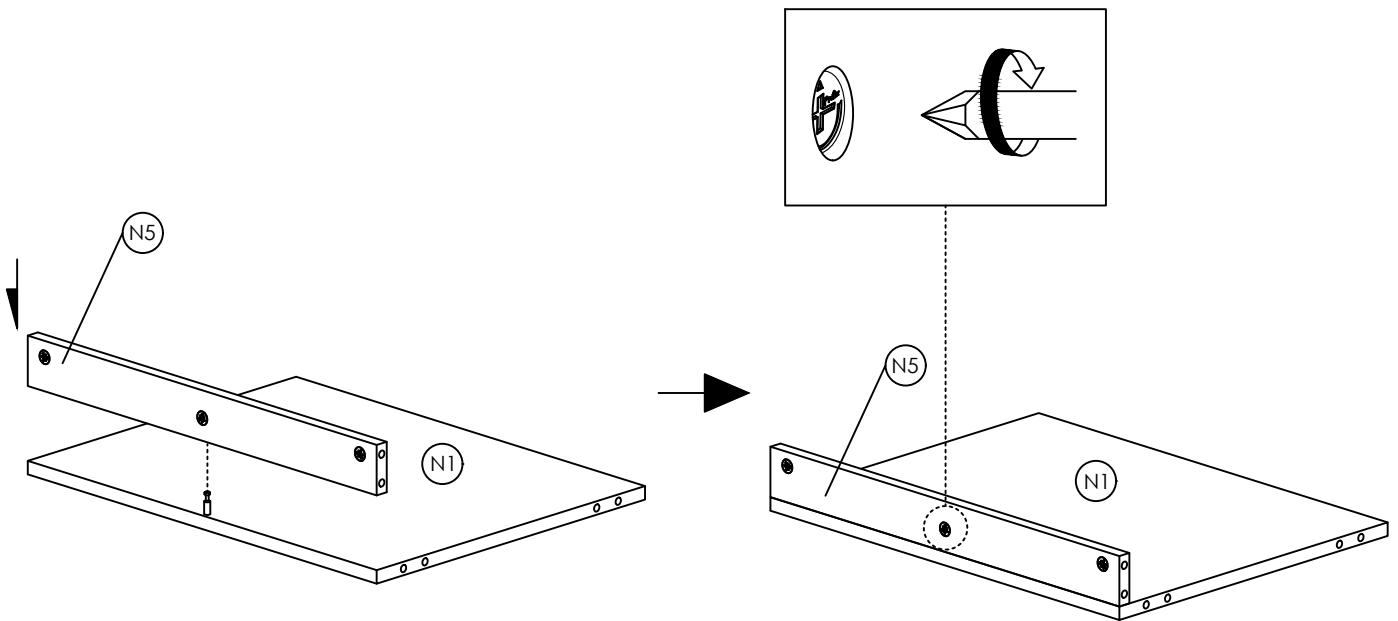
STEP 5

Insert 3 pieces (A) to the (N5) as shown.



STEP 6

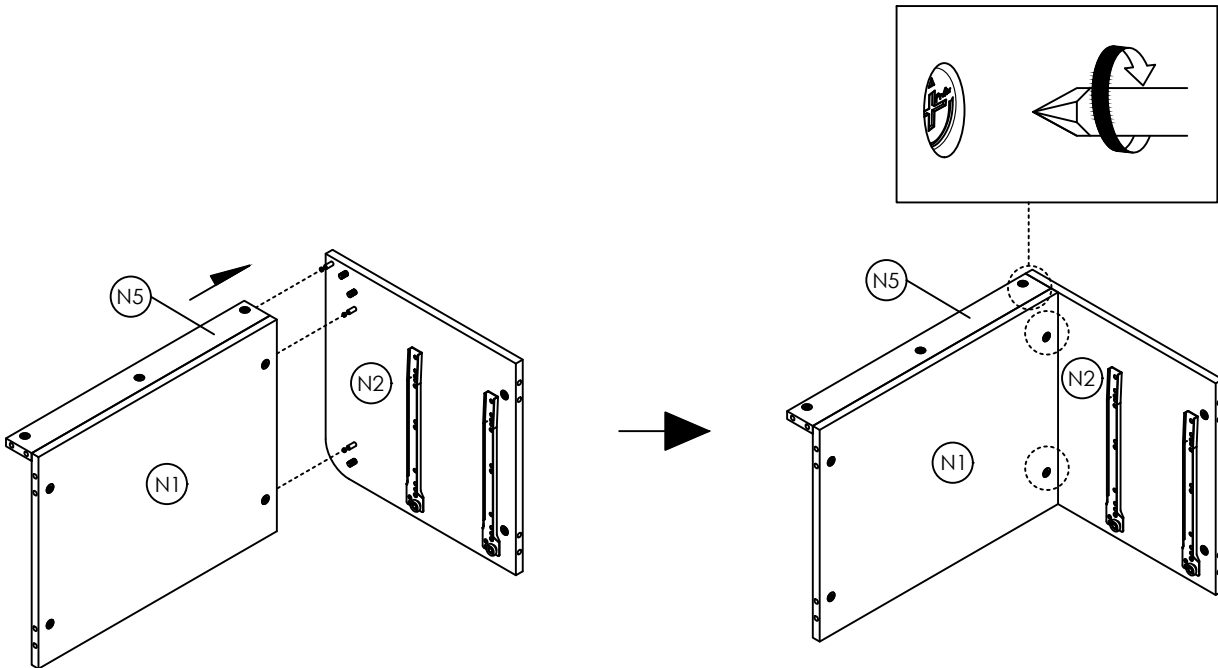
Combine the (N5) to the (N1) then tighten the 1 pieces (A)-(pre insert in step 5) as shown.



ASSEMBLY INSTRUCTION

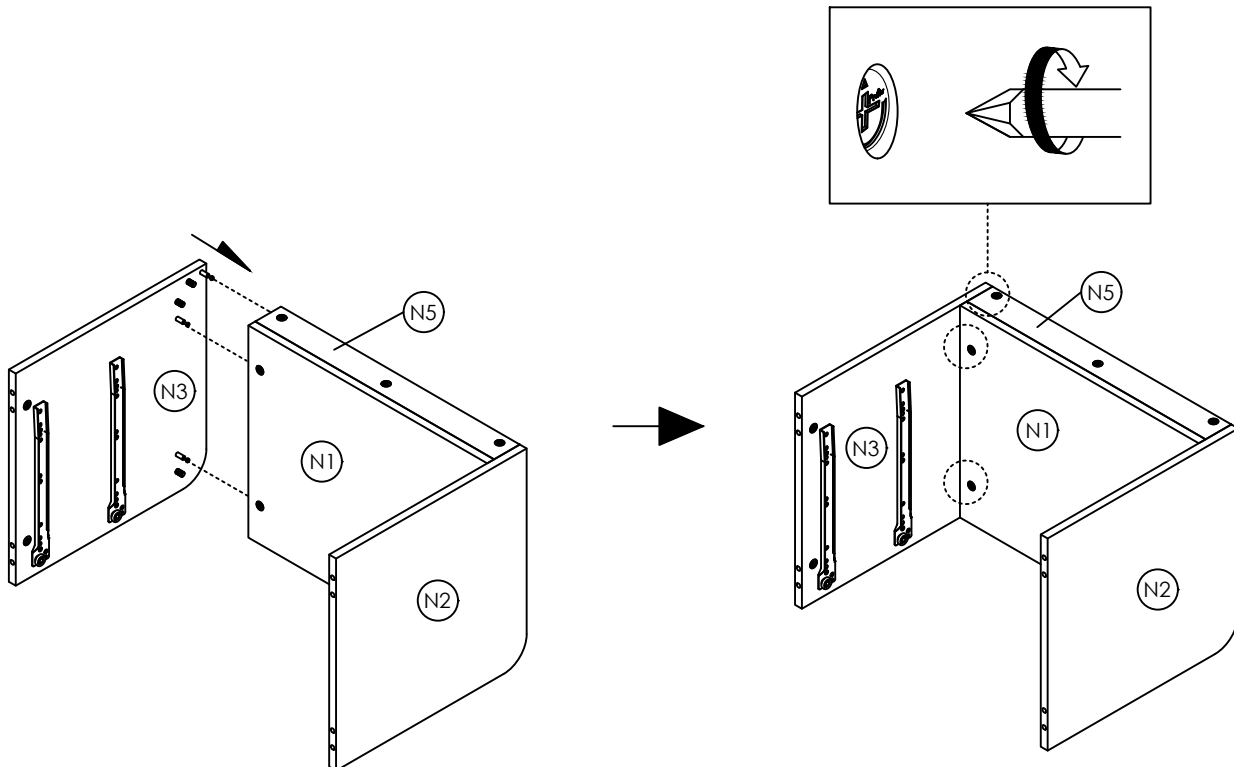
STEP 7

Combine the (N1) ,(N5) to the (N2) then tighten the 3 pieces (A)-(pre insert in step 4,5) as shown.



STEP 8

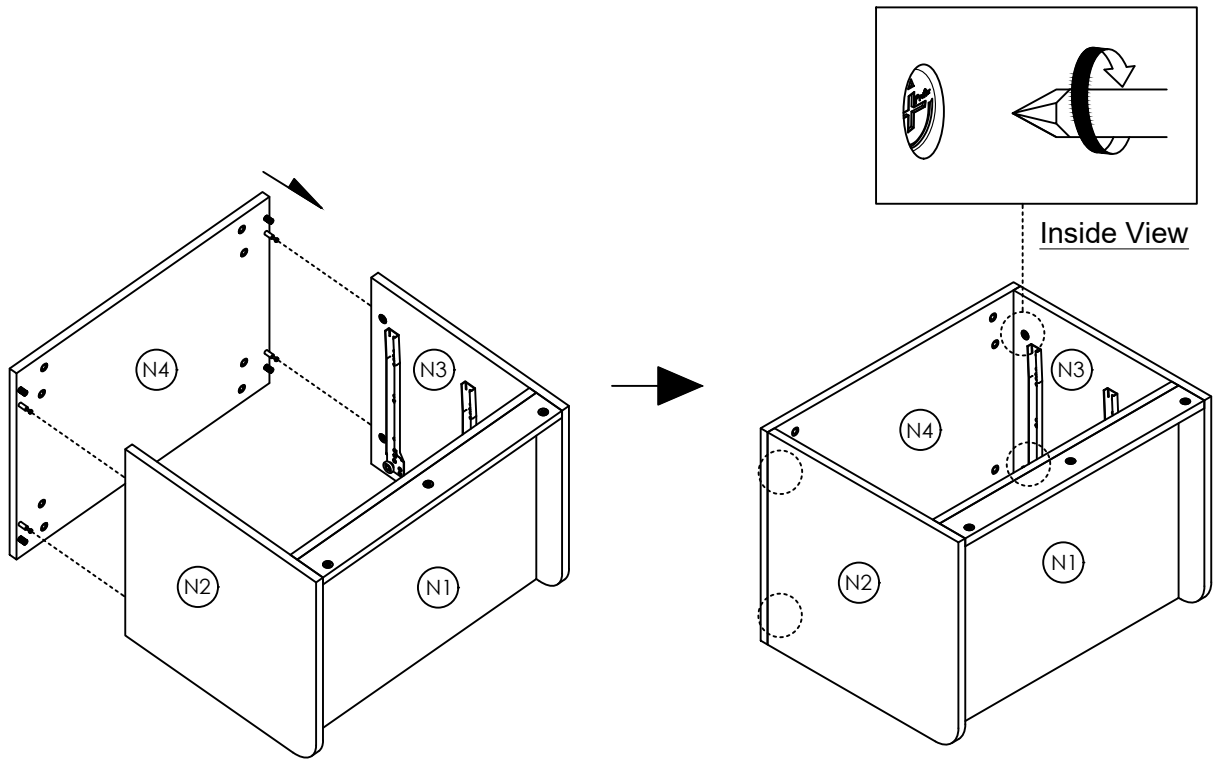
Combine the (N3) to the (N1),(N5) then tighten the 3 pieces (A)-(pre insert in step 4,5) as shown.



ASSEMBLY INSTRUCTION

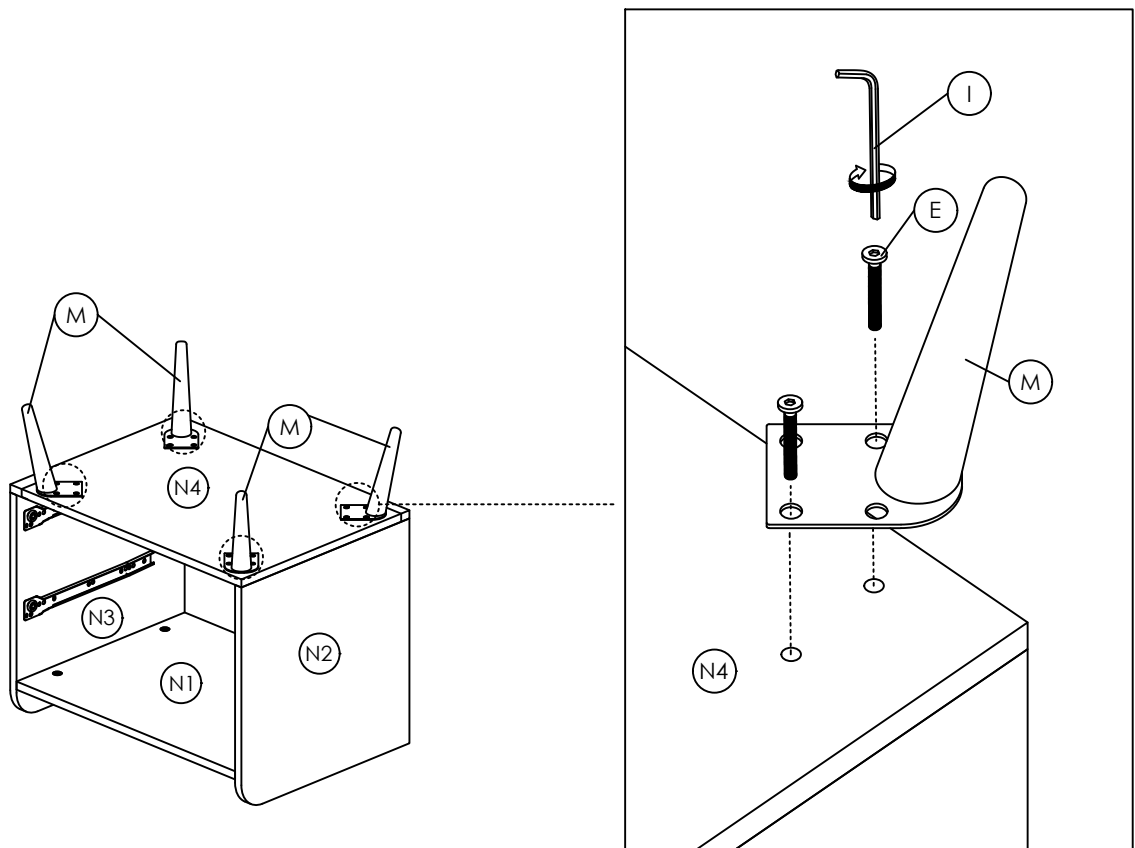
STEP 9

Combine the (N4) to the (N2),(N3) then tighten the 4 pieces (A)-(pre insert in step 1,2) as shown.



STEP 10

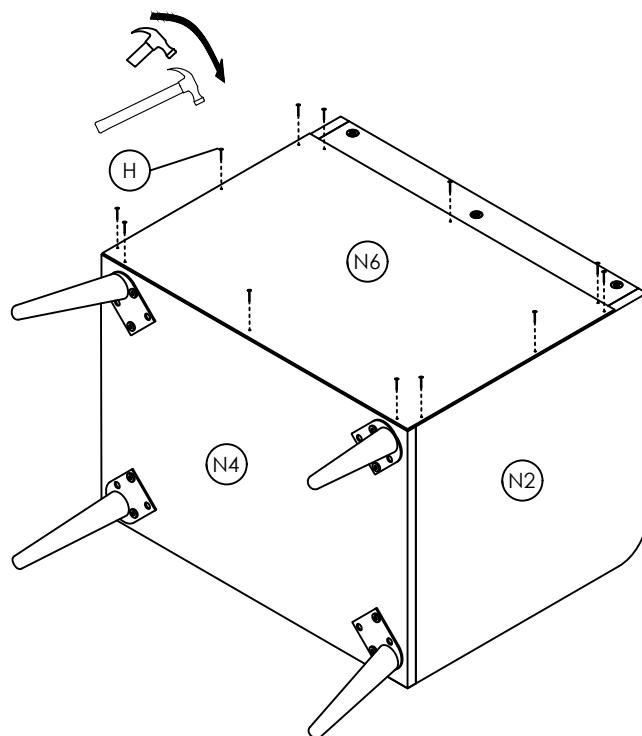
Insert the 8 pieces (E) to combine the (M) to the (N4) as shown.



ASSEMBLY INSTRUCTION

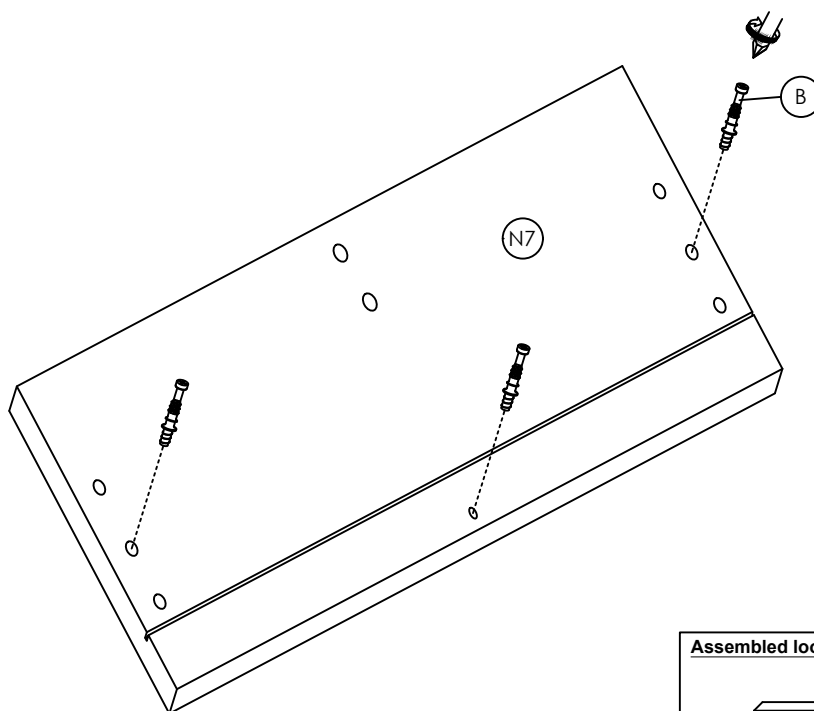
STEP 11

Insert the 12 pieces (H) to fix the (N6) as shown. Colored paper face to outside.

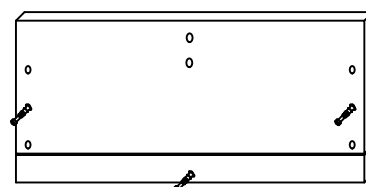


STEP 12

Insert 3 pieces (B) to the (N7) as shown. This step needs to be **done twice**.



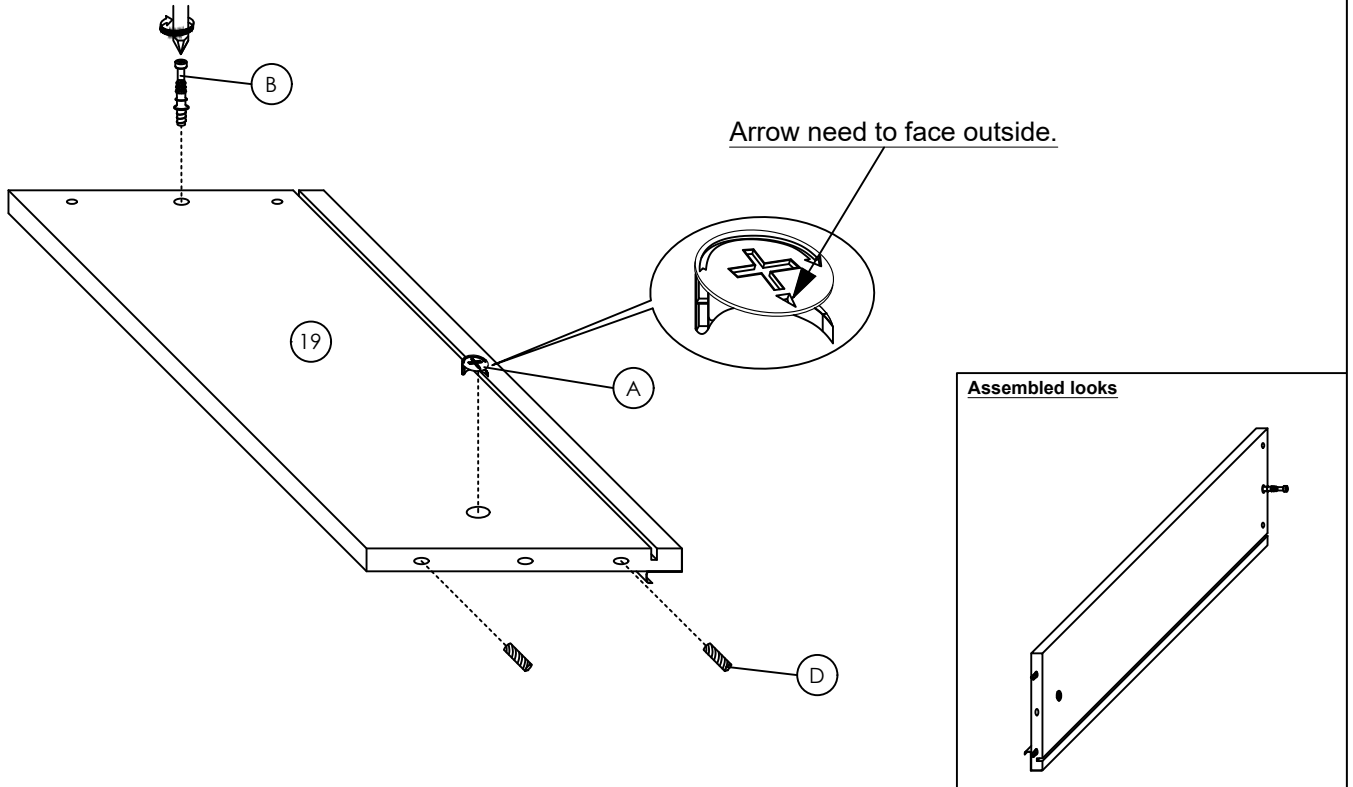
Assembled looks



ASSEMBLY INSTRUCTION

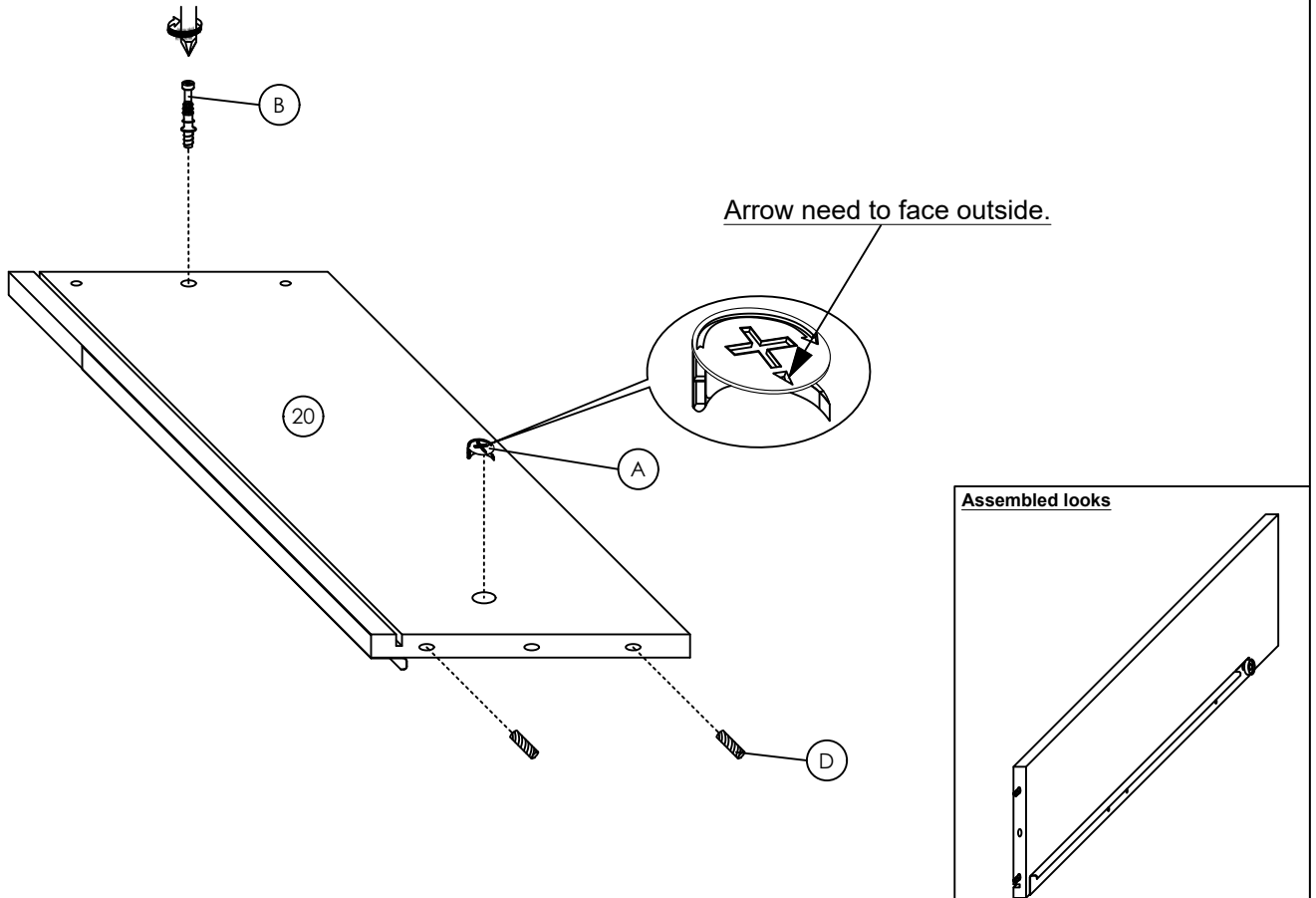
STEP 13

Insert 1 piece (A),(B) and 2 pieces (D) to (19) as shown. This step needs to be **done twice**.



STEP 14

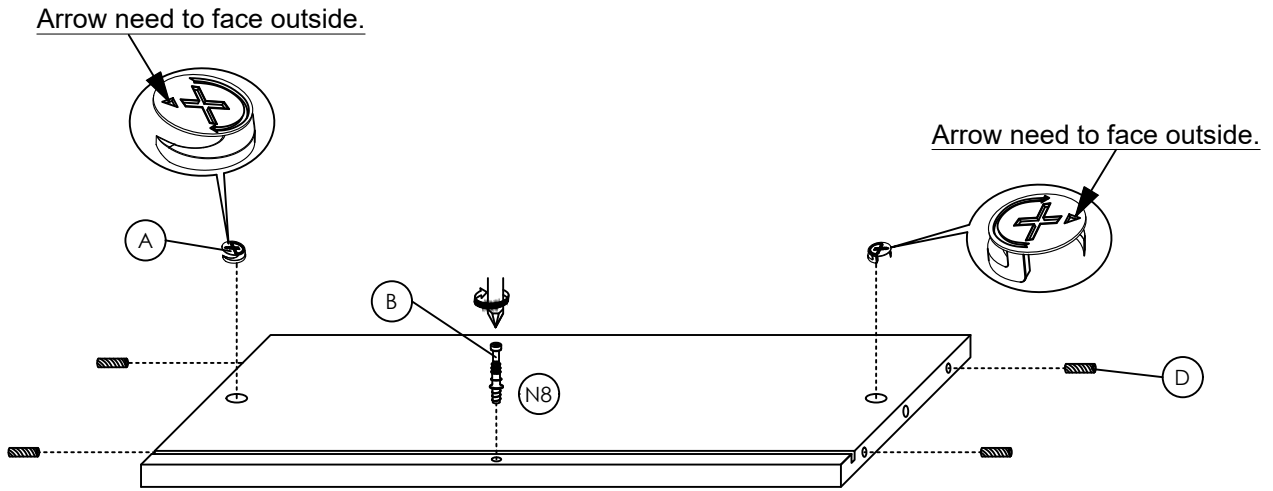
Insert 1 piece (A),(B) and 2 pieces (D) to (20) as shown. This step needs to be **done twice**.



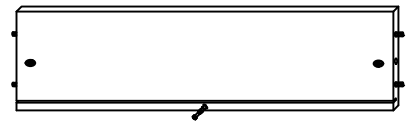
ASSEMBLY INSTRUCTION

STEP 15

Insert 2 pieces (A) , 1 piece (B) and 4 pieces (D) to (N8) as shown. This step needs to be **done twice**.

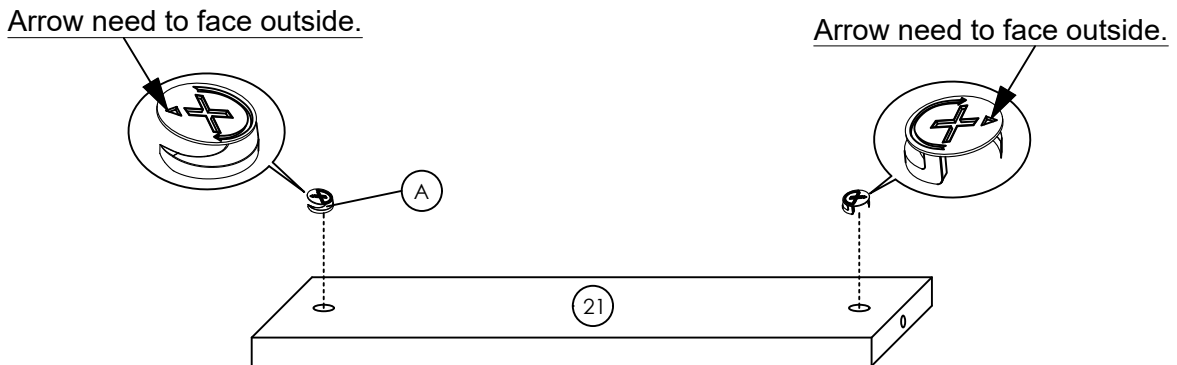


Assembled looks

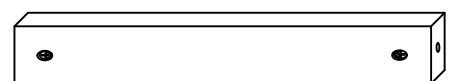


STEP 16

Insert 2 pieces (A) to (21) as shown. This step needs to be **done twice**.



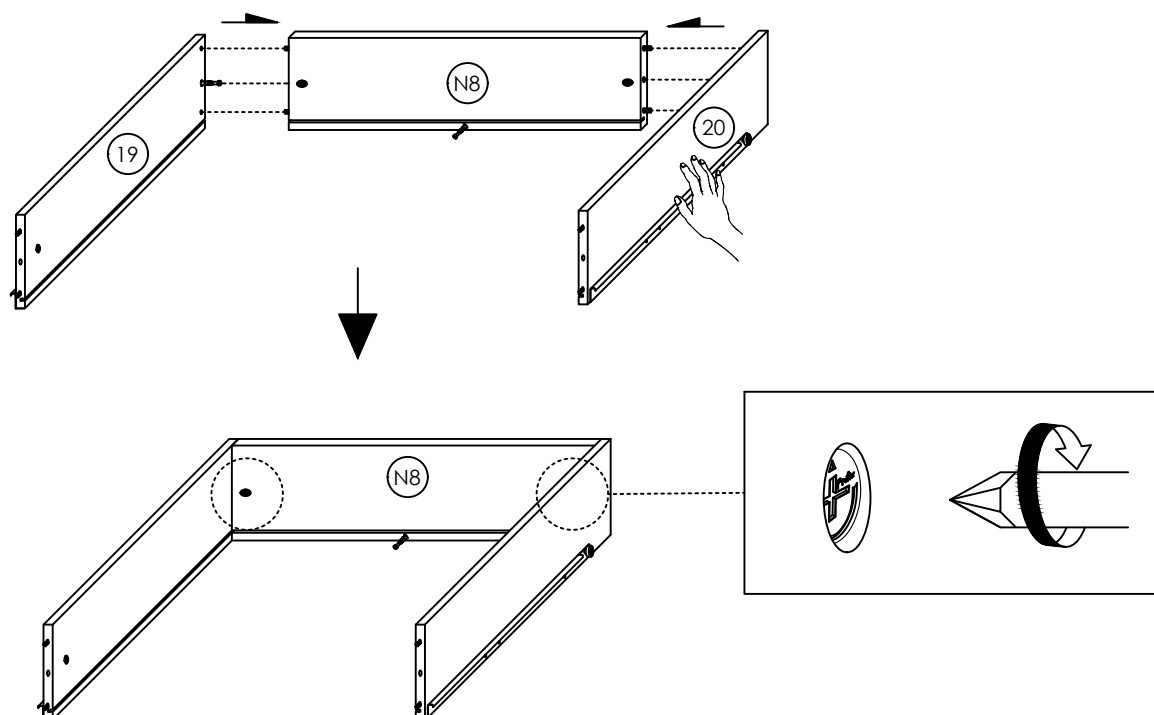
Assembled looks



ASSEMBLY INSTRUCTION

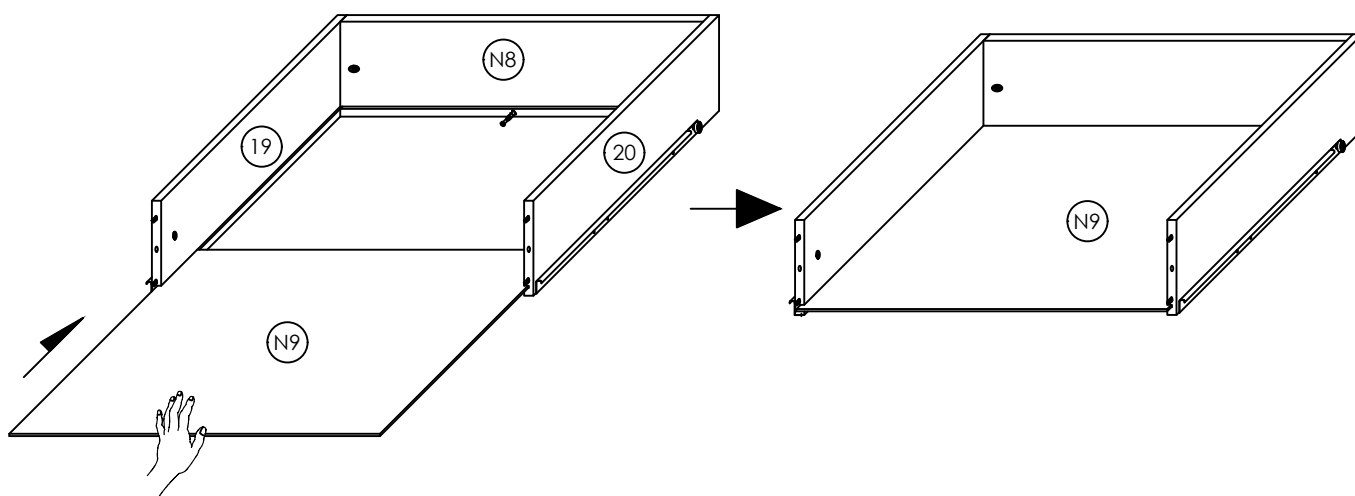
STEP 17

Combine the (19) and (20) to the (N8) . Then tighten the 2 pieces (A)-(pre-insert in step 15) as shown. This step needs to be **done twice**.



STEP 18

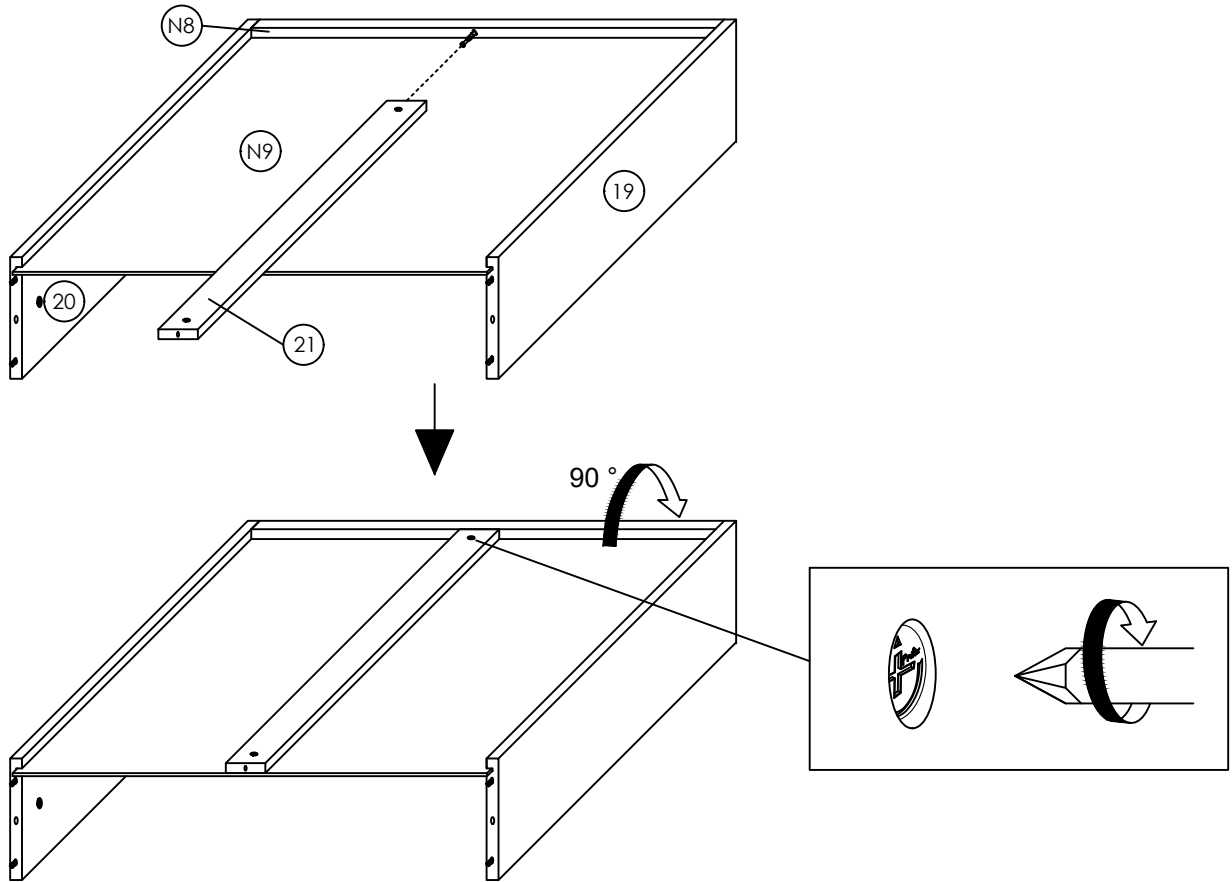
Put the (N9) into the gap of (19),(20) and (N8) as shown. This step needs to be **done twice**.



ASSEMBLY INSTRUCTION

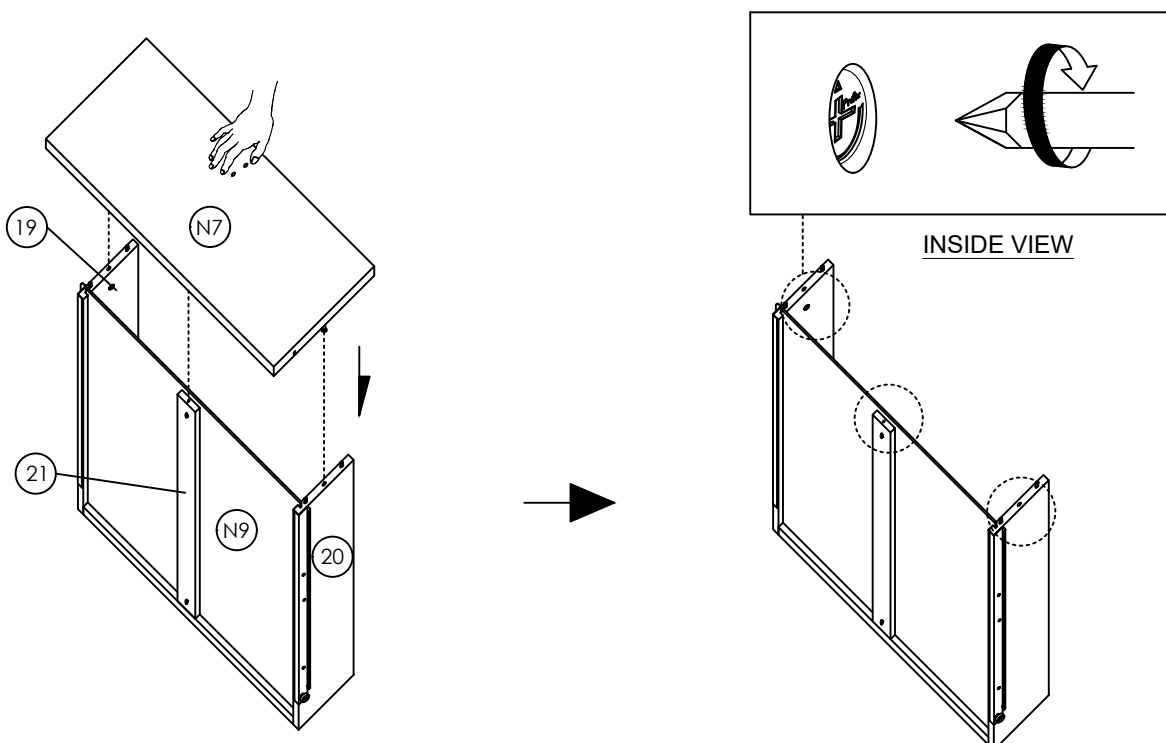
STEP 19

Combine the (21) to the (N8) then tighten the 1 piece (A)-(pre-insert in step 16) as shown. This step needs to be **done twice**.



STEP 20

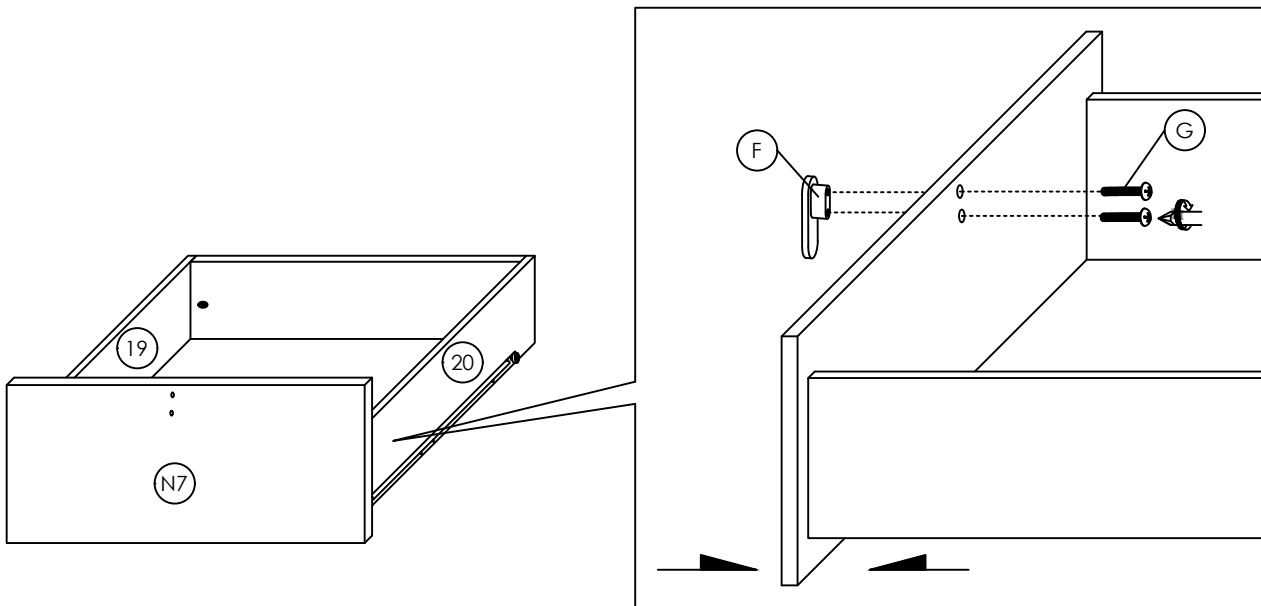
Combine the (N7) to the drawer frame. Then tighten the 3 pieces (A)-(pre-insert in step 13,14 and 16) as shown. This step needs to be **done twice**.



ASSEMBLY INSTRUCTION

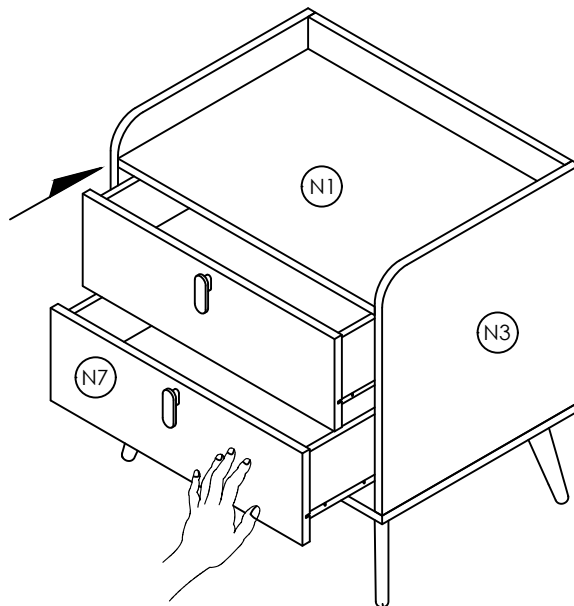
STEP 21

Insert 2 pieces (G) fix the (F) as shown. This step needs to be **done twice**.



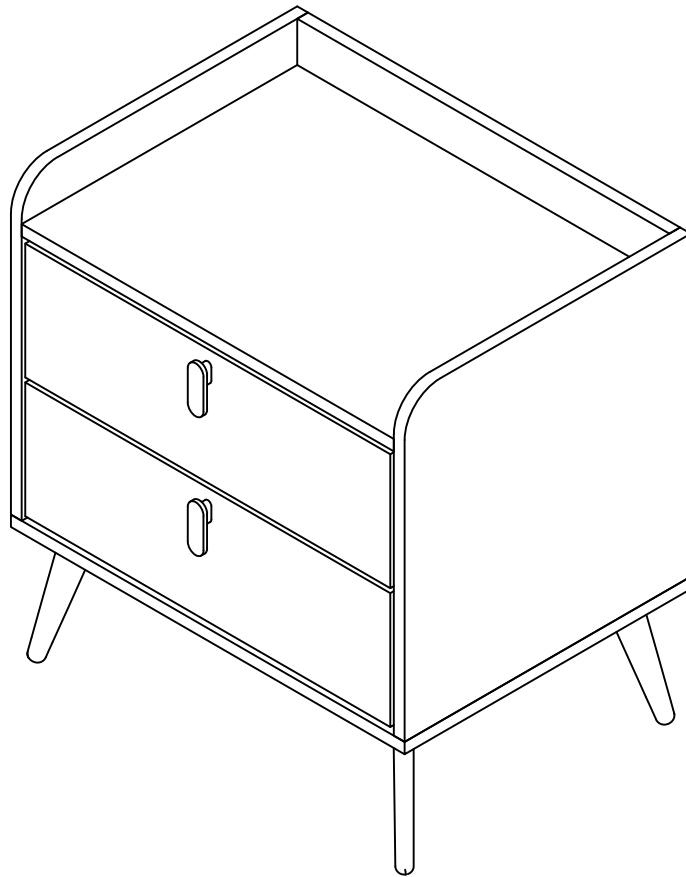
STEP 22

Align the position then push the 2 pieces drawer to inside exactly by your hand as shown.



ASSEMBLY INSTRUCTION

STEP 23



ASSEMBLY COMPLETED