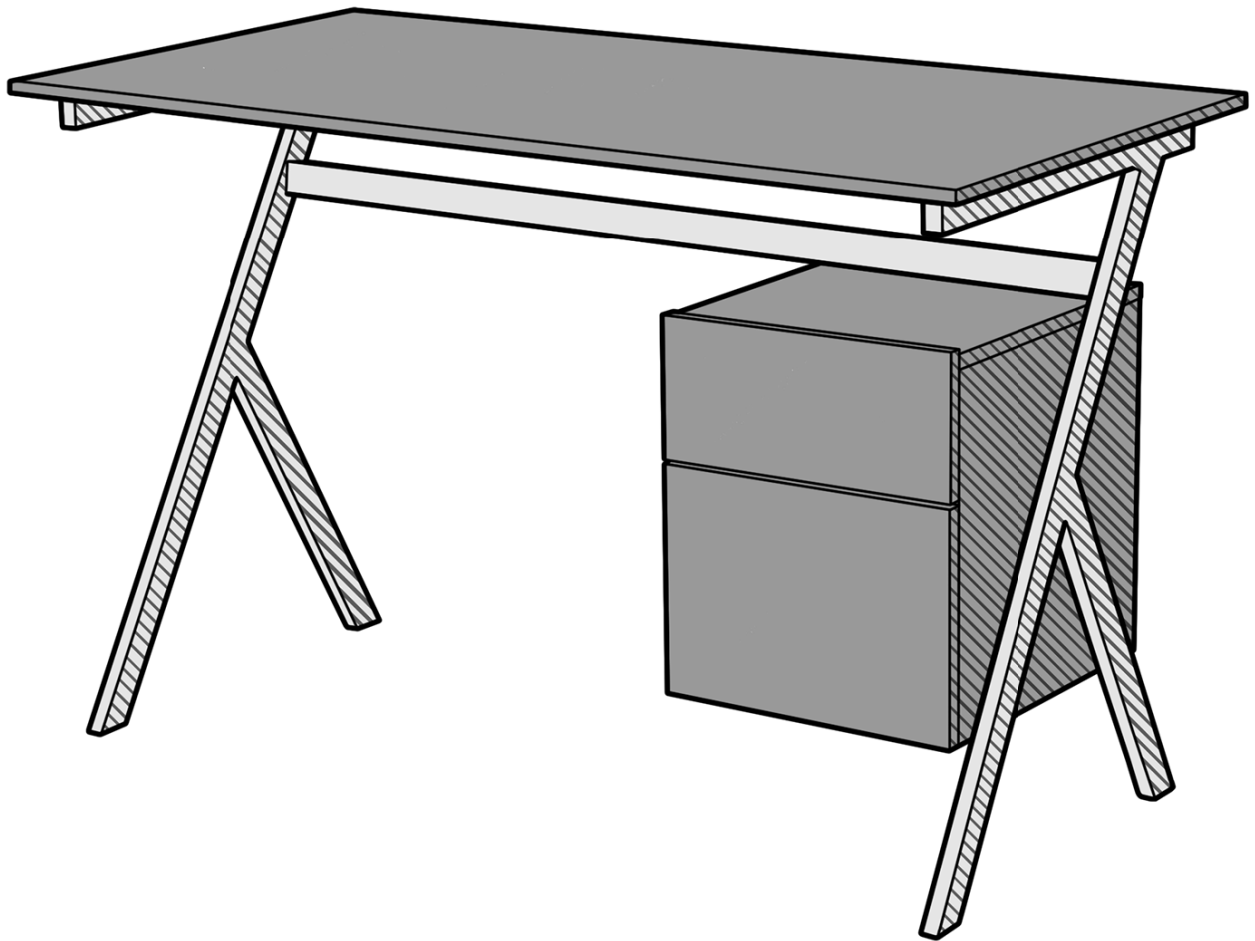
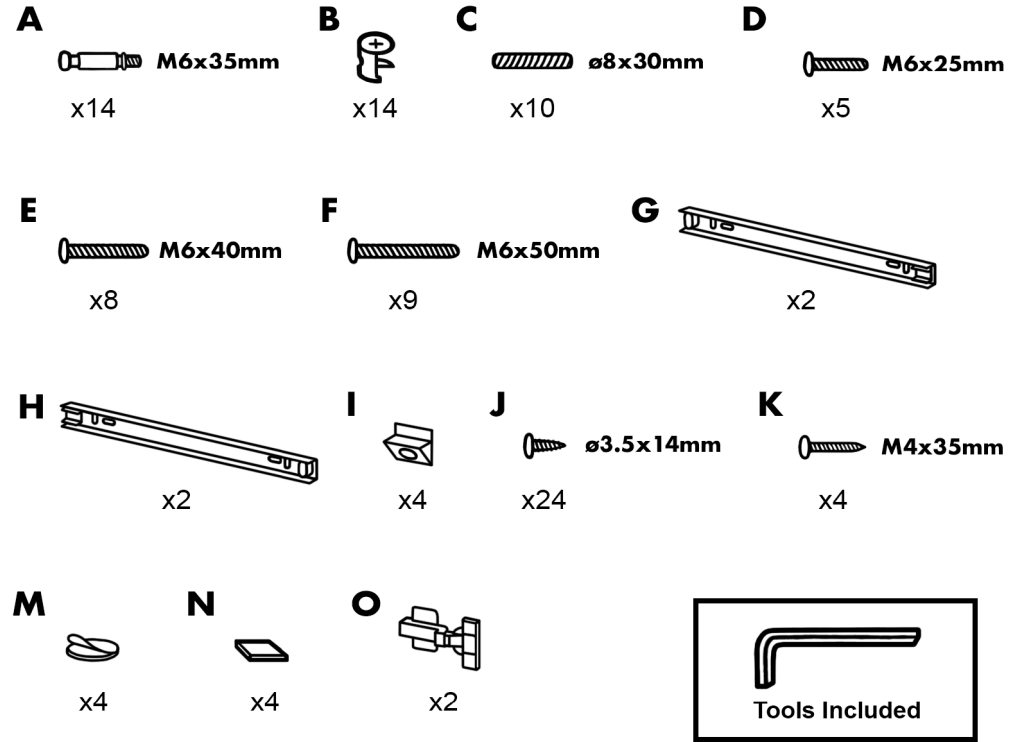
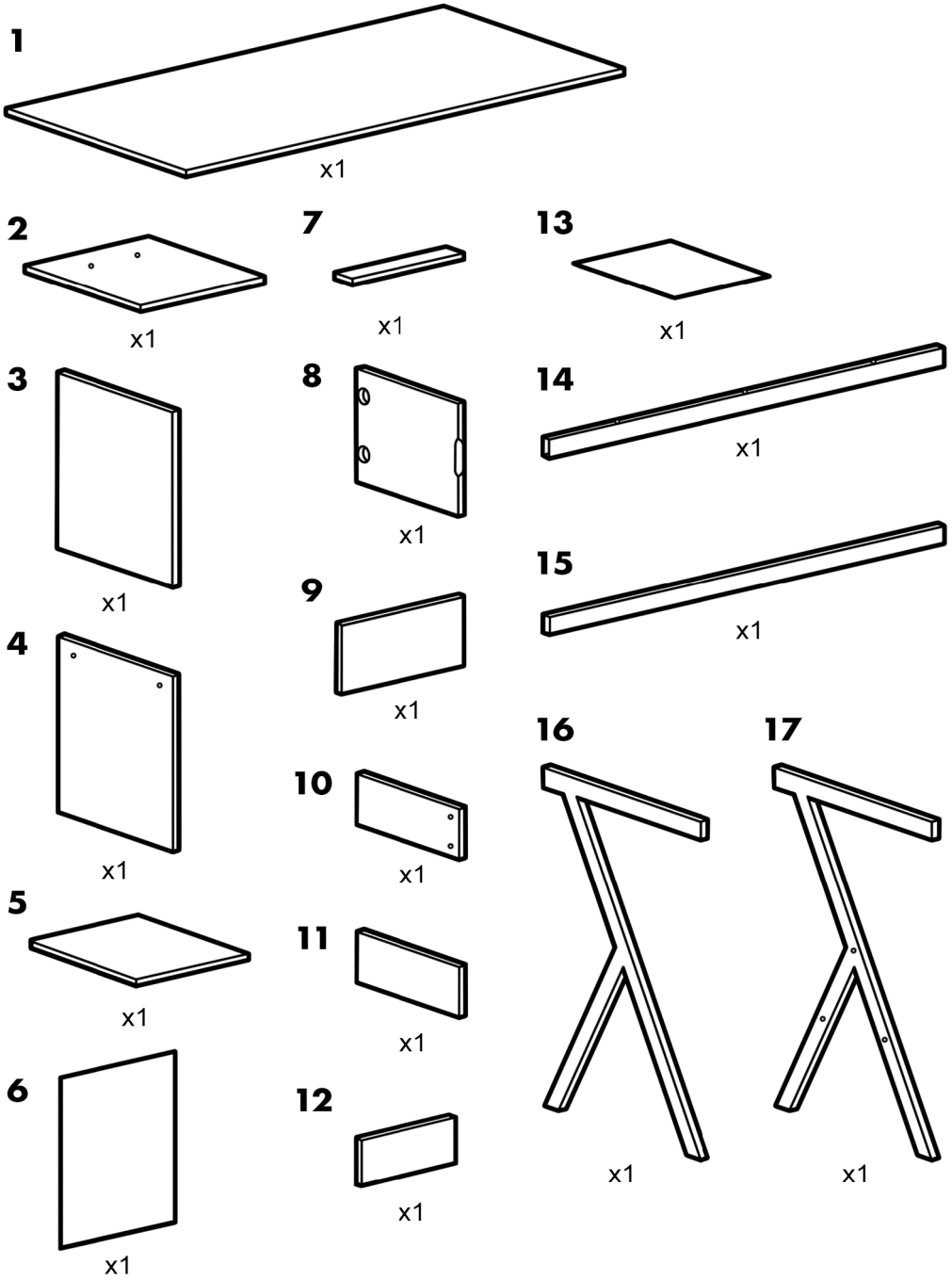


# INSTRUCTION MANUAL

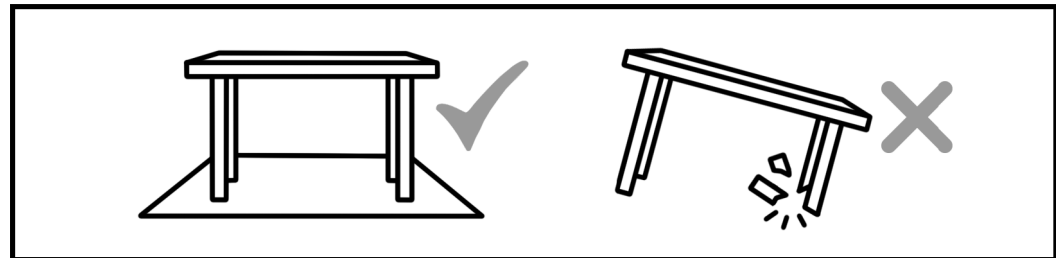


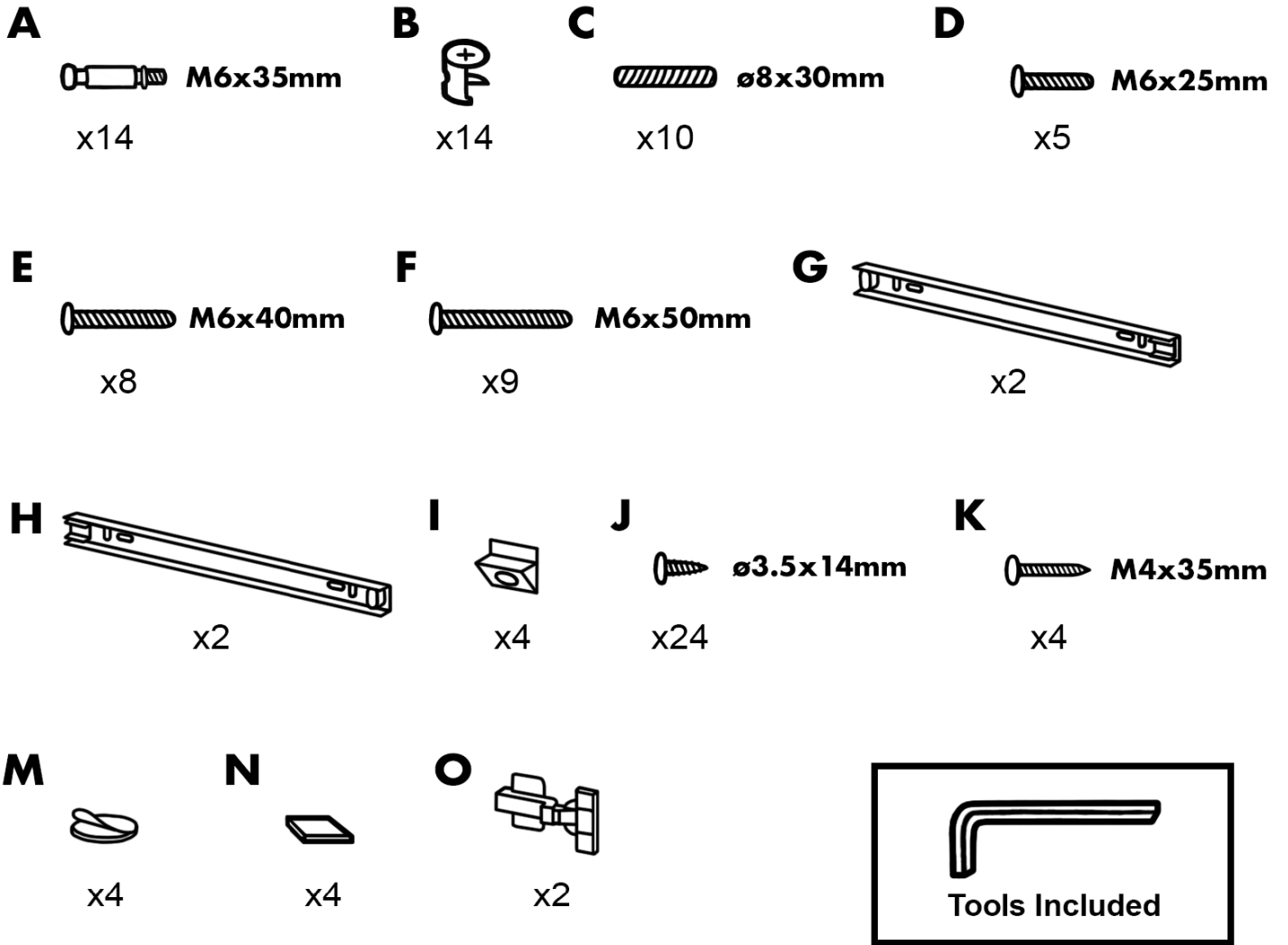
# Instructions side 1

2 people recommended for assembly

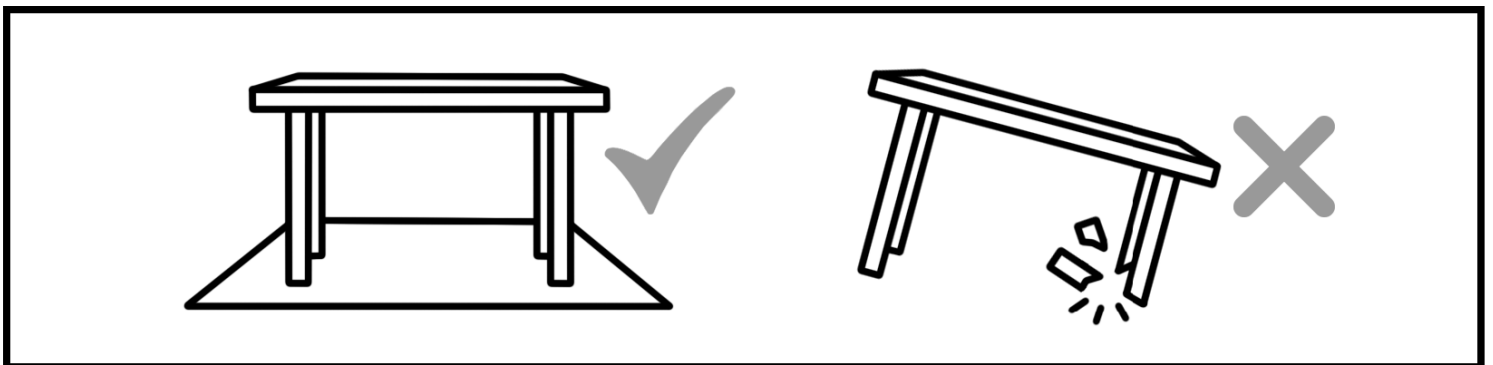


**Advice:** A mat should be put down to avoid damage to the product or people around



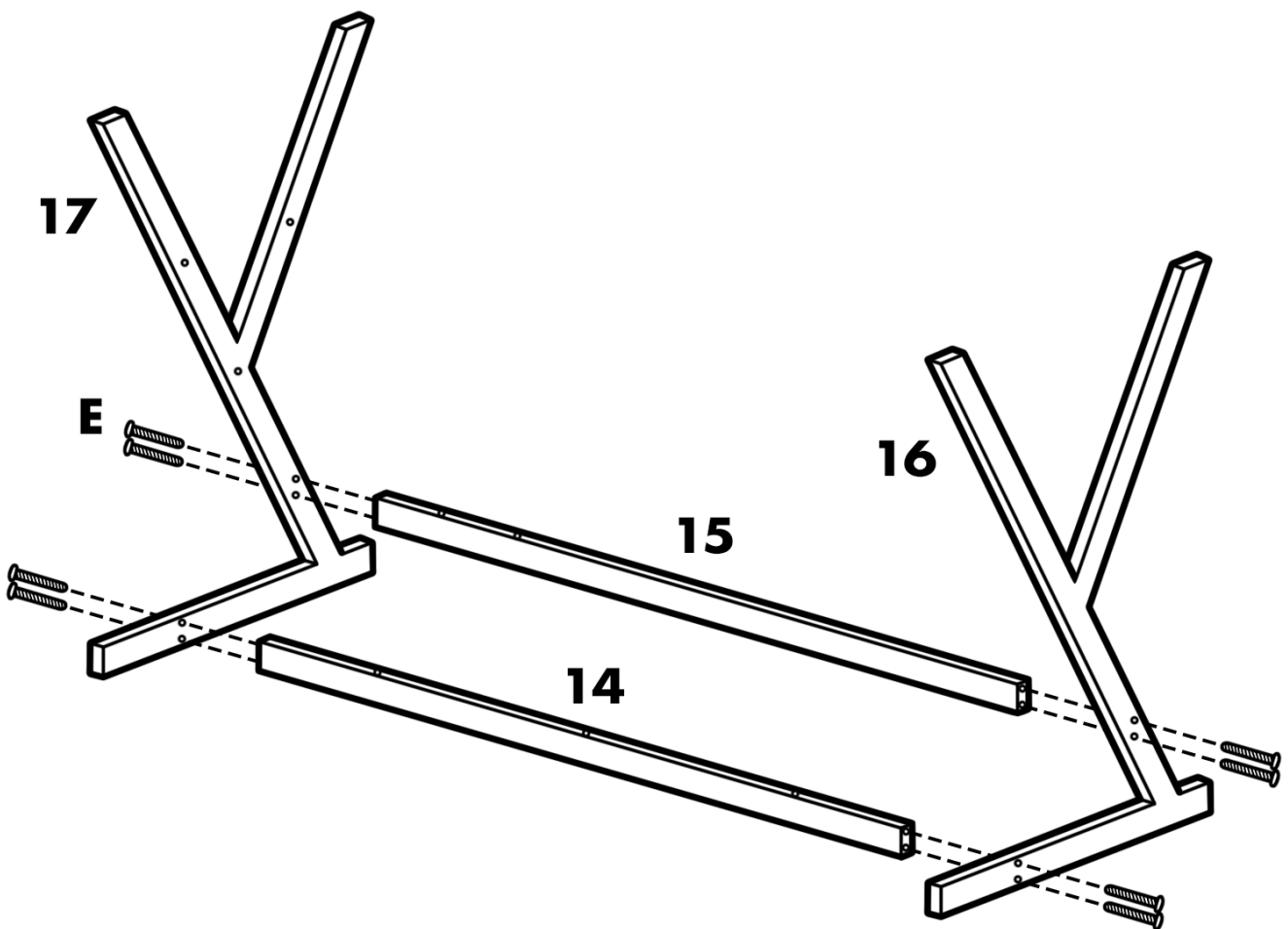


**Advice:** A mat should be put down to avoid damage to the product or people around



## Instructions side 2

- 1** Screw supports (14&15) between the left leg (16) and right leg (17)

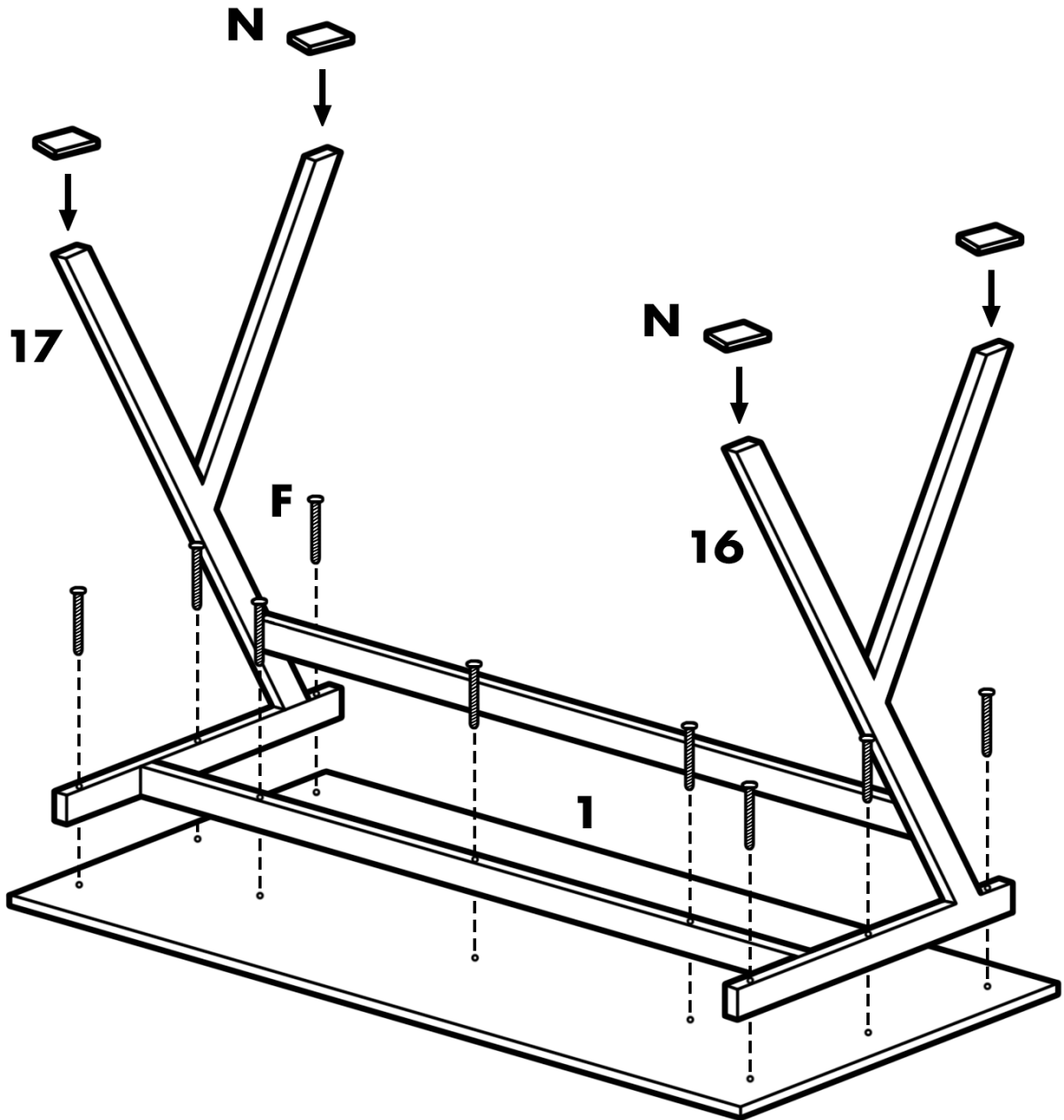


### Parts needed for step 1:

Left leg (16)	x1	Screws (E)	x8
Right leg (17)	x1		
Supports (14&15)	x1		

**2**

**Screw assembly onto underside of tabletop (1). Attach feet to bottom of legs (16&17)**

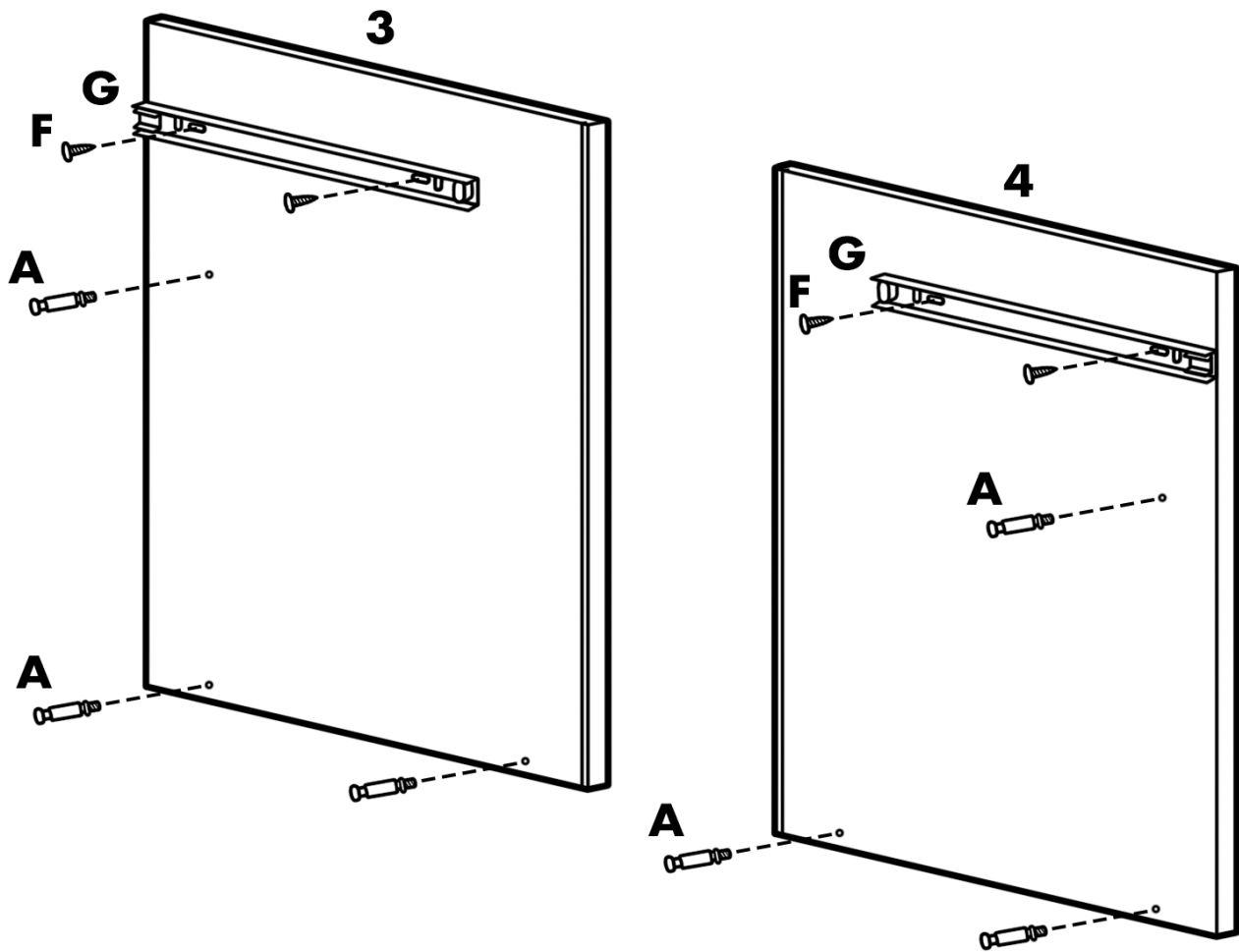


**Parts needed for step 2:**

<b>Completed step 1</b>	x1	<b>Screws (F)</b>	x9
<b>Tabletop (1)</b>	x1		
<b>Feet (N)</b>	x4		

## Instructions side 3

- 3** Attach screws (A) to cabinet sides (3&4). Screw drawer slides (G) onto cabinet sides (make sure that they are oriented correctly)

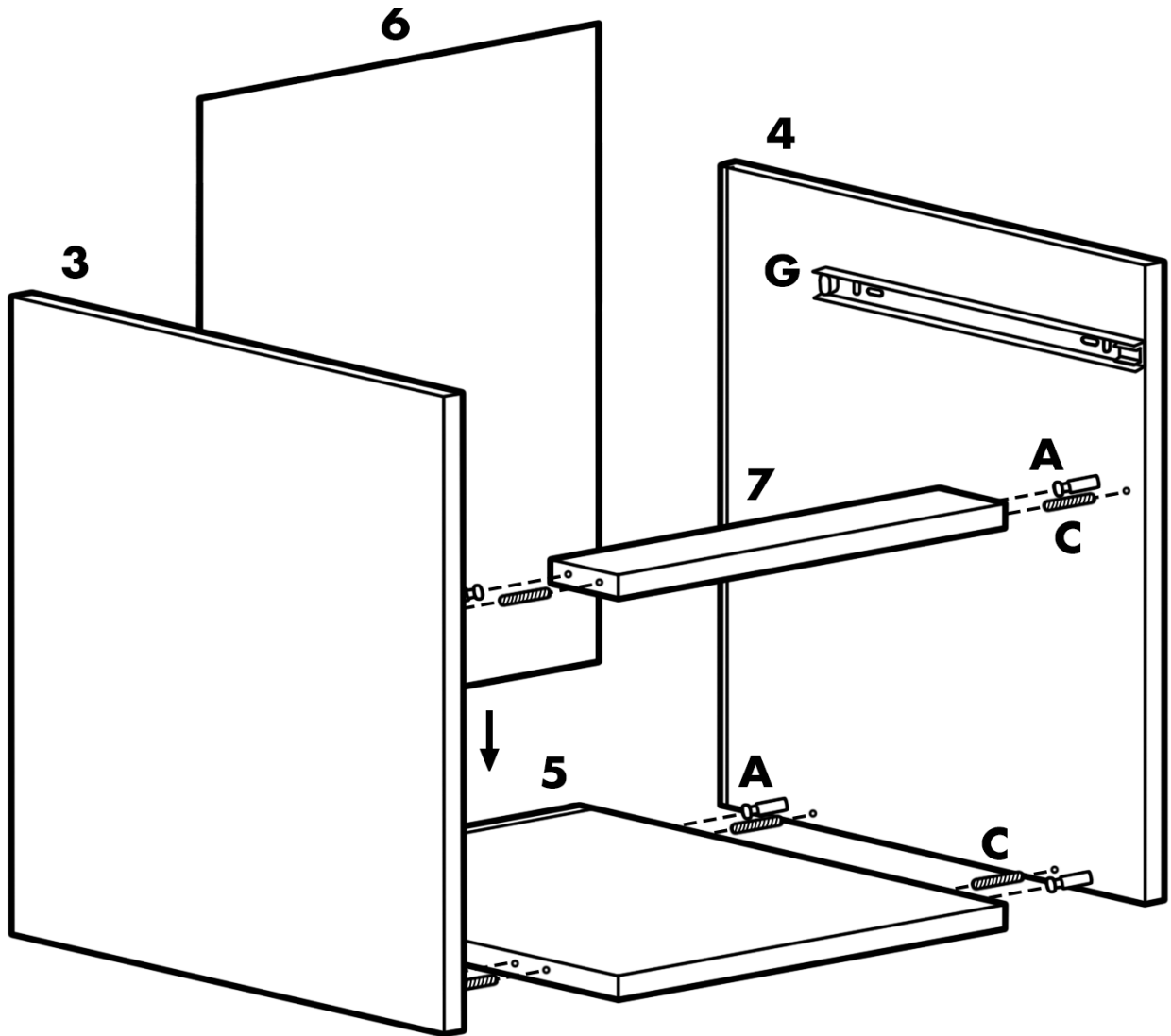


### Parts needed for step 3:

Cabinet sides (3&4)	x1	Screws (F)	x4
Drawer slides (G)	x2		
Screws (A)	x6		

**4**

Bring sides, shelf (7), and bottom together using dowels (C) and screw ends (A). Insert cabinet back (6) into slots in cabinet bottom (5) and sides (3&4)

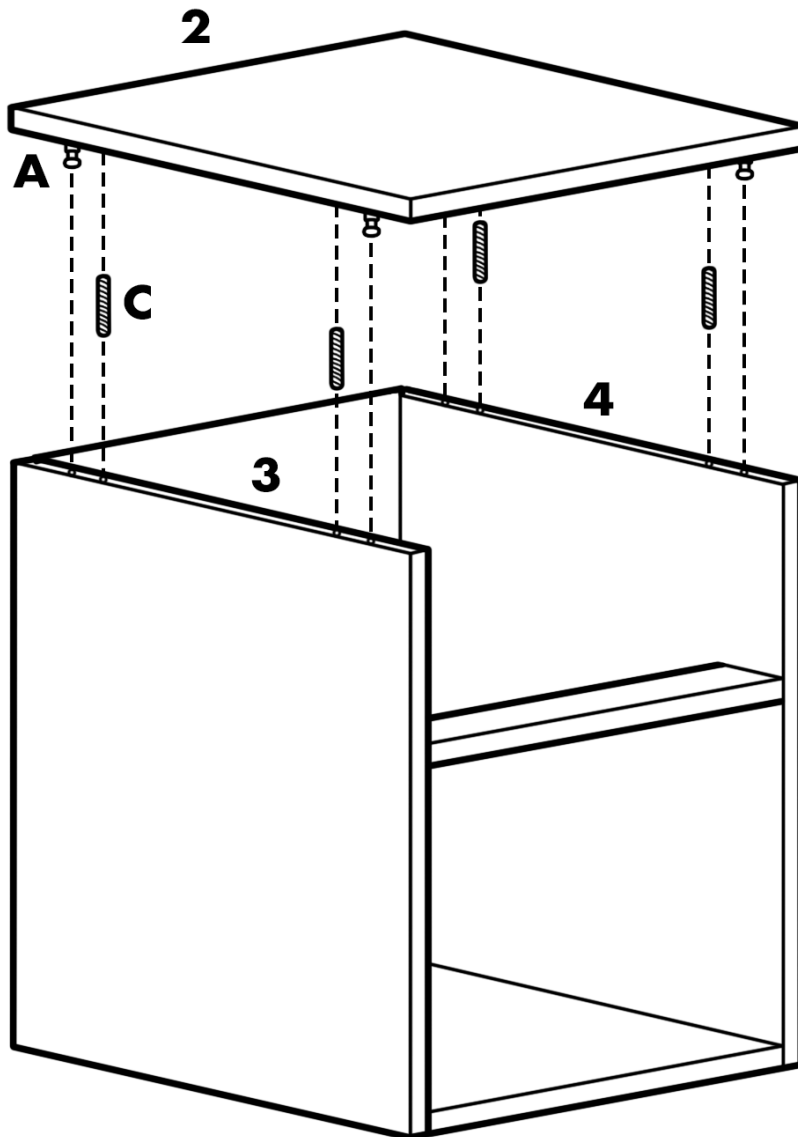


**Parts needed for step 4:**

<b>Completed step 3</b>	x1	<b>Shelf (7)</b>	x1
<b>Cabinet bottom (5)</b>	x1	<b>Dowels (C)</b>	x6
<b>Cabinet back (6)</b>	x1		

## Instructions side 4

- 5** Insert screws (A) into cabinet top (2). Then attach cabinet top (2) to assembly by inserting dowels (C) and screw ends (A) in holes in cabinet sides (3&4)

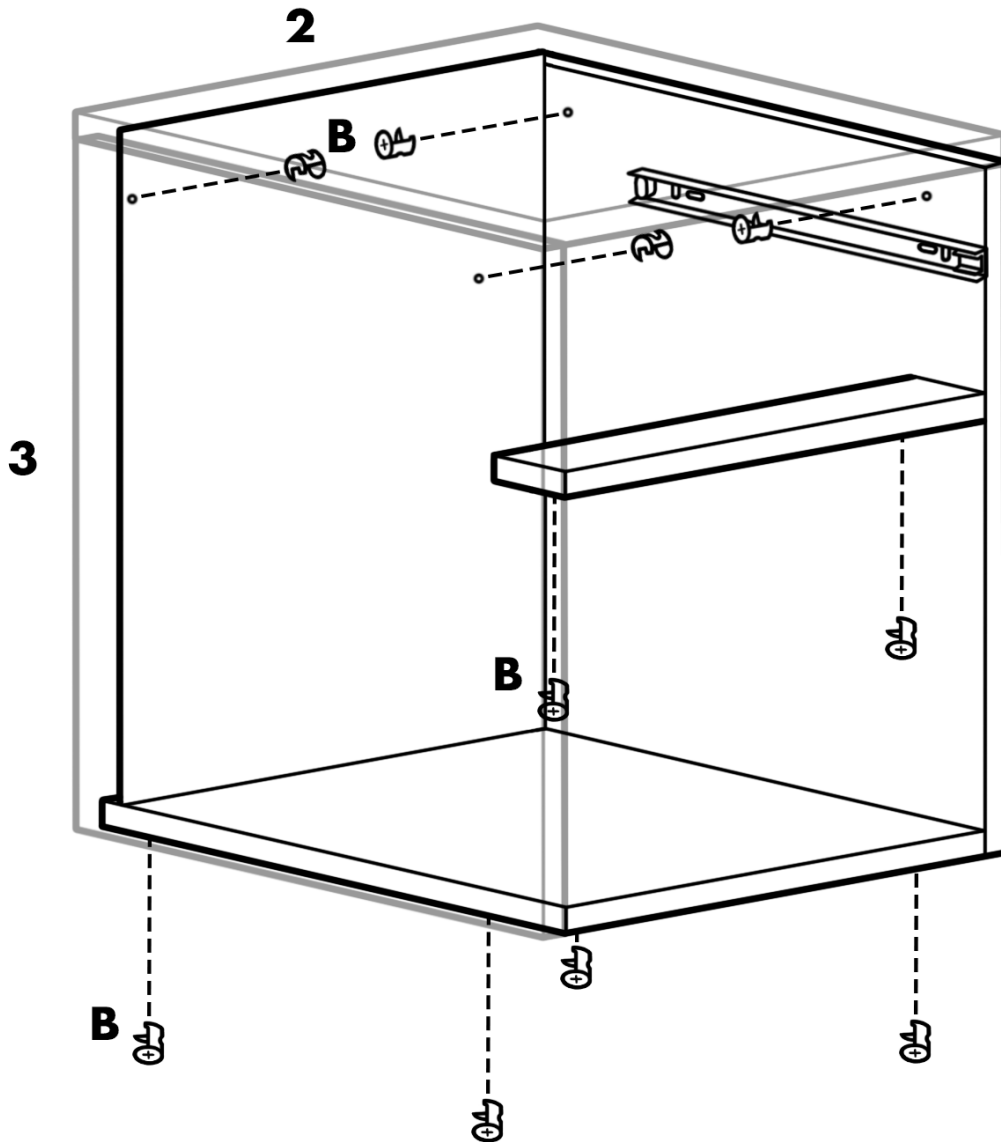


### Parts needed for step 5:

Completed step 4	x1	Dowels (C)	x4
Cabinet top (2)	x1		
Screws (A)	x4		

**6**

**Secure screw tops (A) by inserting screw locks (B) and turning until secure**



**Cabinet top (2) and side (3) have been shown as transparent for demonstrative purposes**

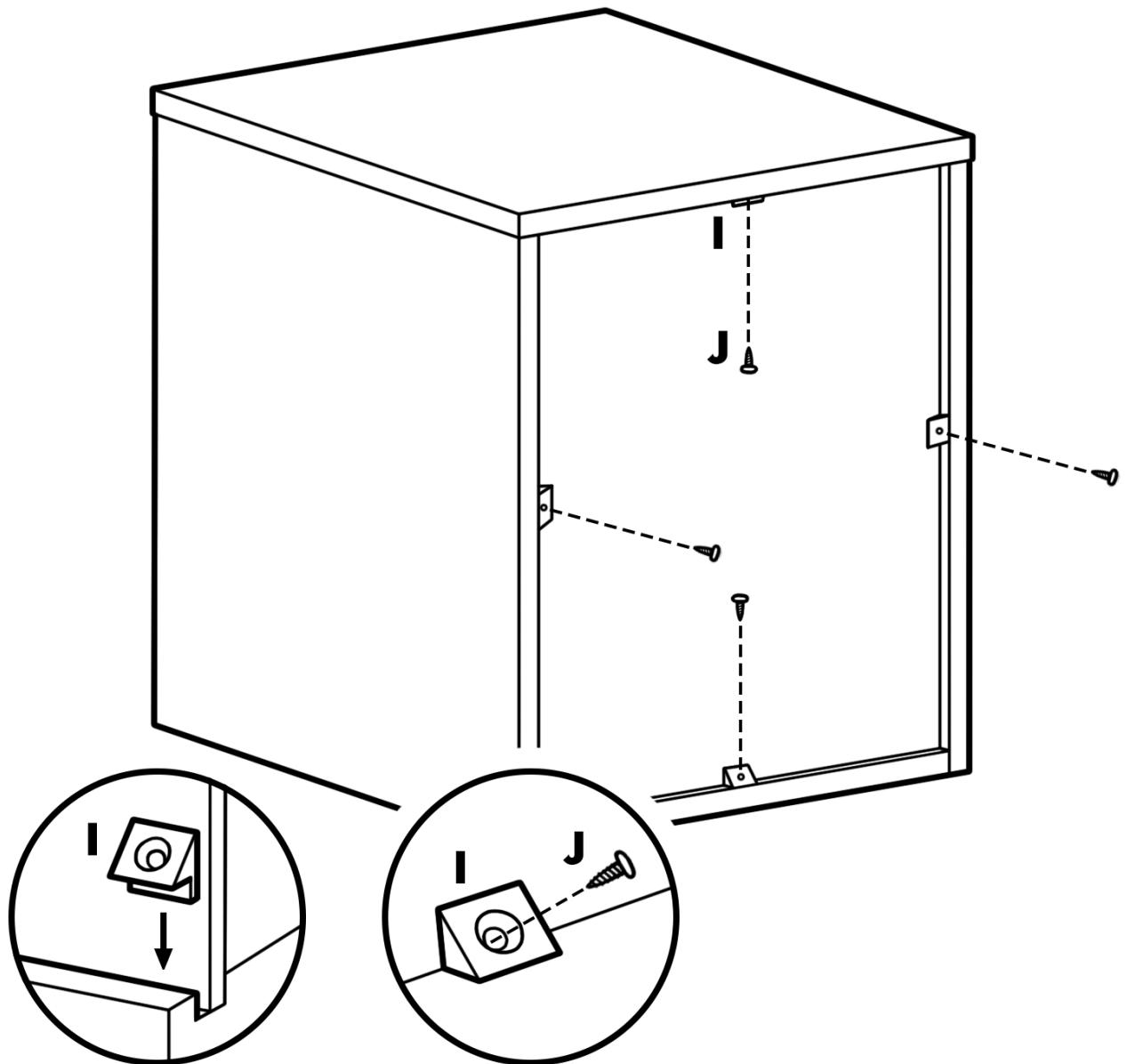
**Parts needed for step 6:**

**Completed step 5** x1

**Screw locks (B)** x8

## Instructions side 5

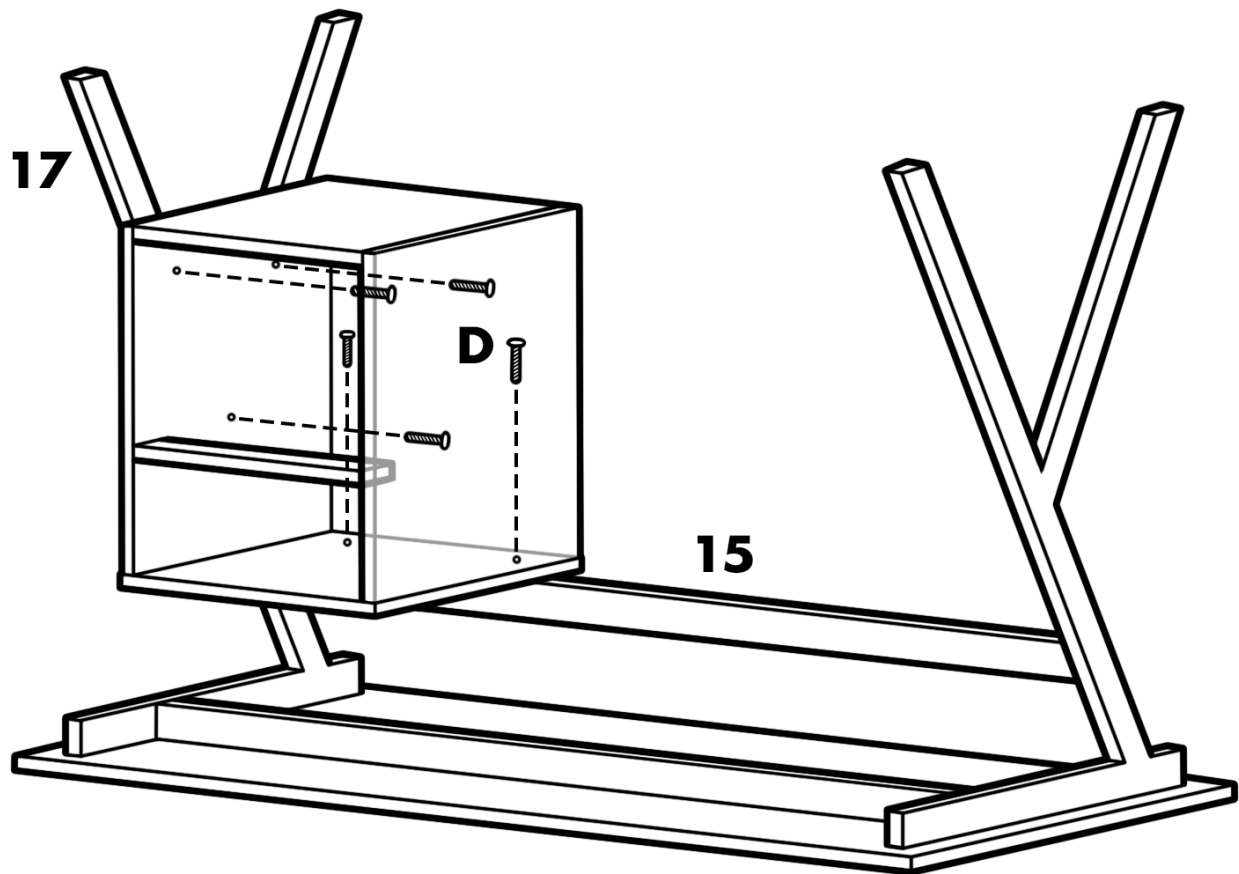
- 7** Insert supports (I) into gaps behind cabinet back (6) and secure with screws (J)



### Parts needed for step 7:

Completed step 6	x1
Supports (I)	x4
Screws (J)	x4

**8** Screw cabinet onto table leg (17) and support (15)



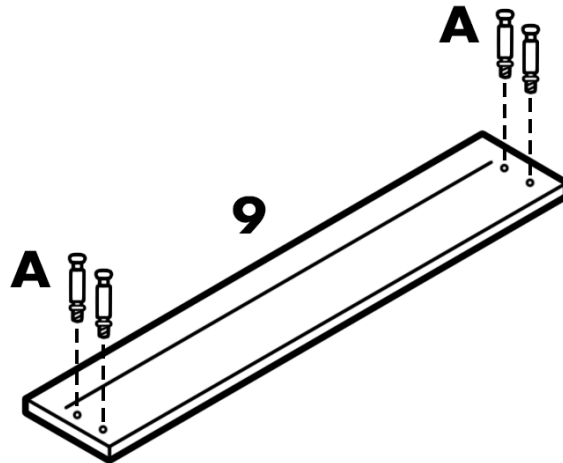
**Cabinet side (3) has been shown as transparent for demonstrative purposes**

**Parts needed for step 8:**

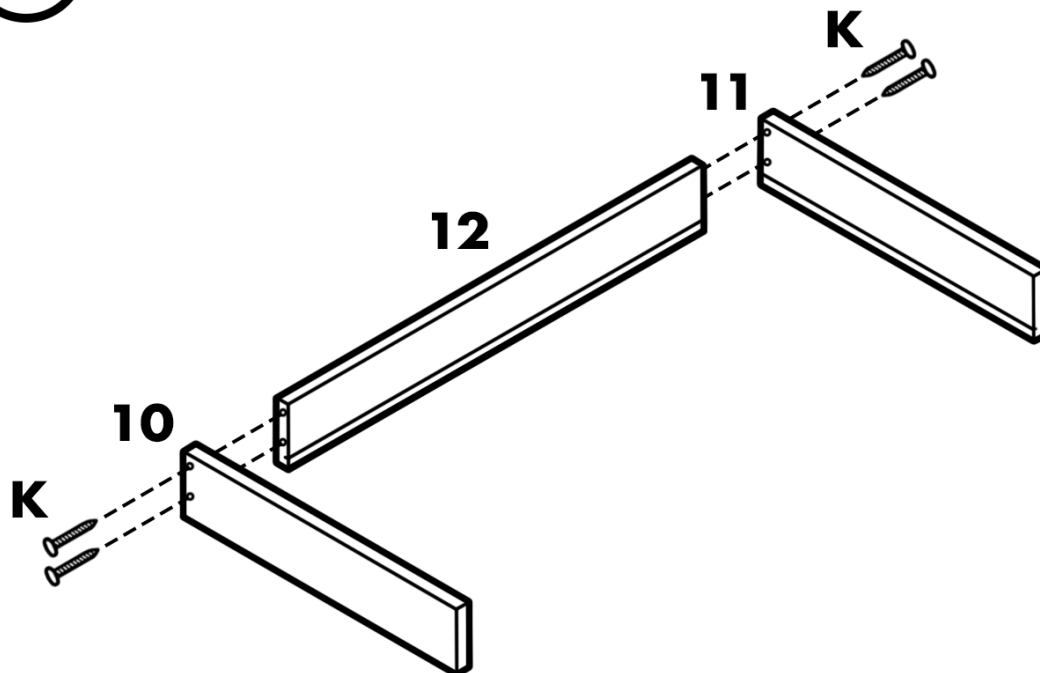
<b>Completed step 2</b>	x1
<b>Completed step 7</b>	x1
<b>Screws (D)</b>	x5

## Instructions side 6

- 9** Insert screws into drawer fronts (9)



- 10** Screw drawer sides (10&11) onto drawer back (12)



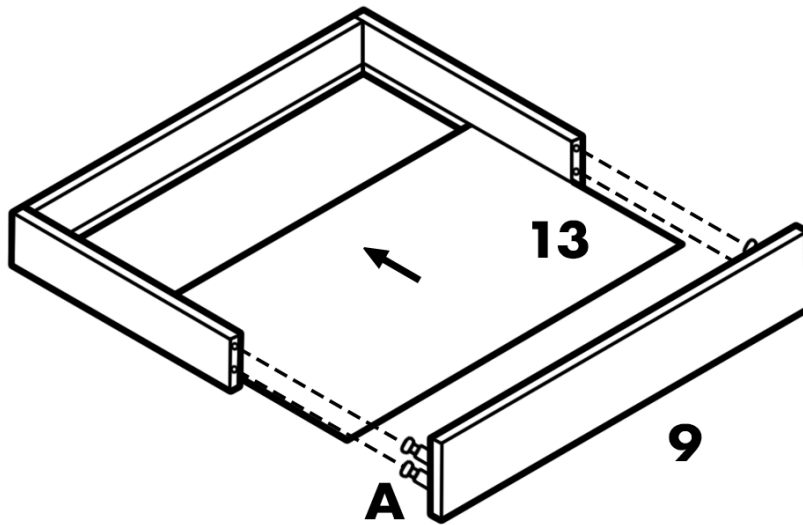
### Parts needed for step 9:

**Drawer front (9)** x1  
**Screws (A)** x8

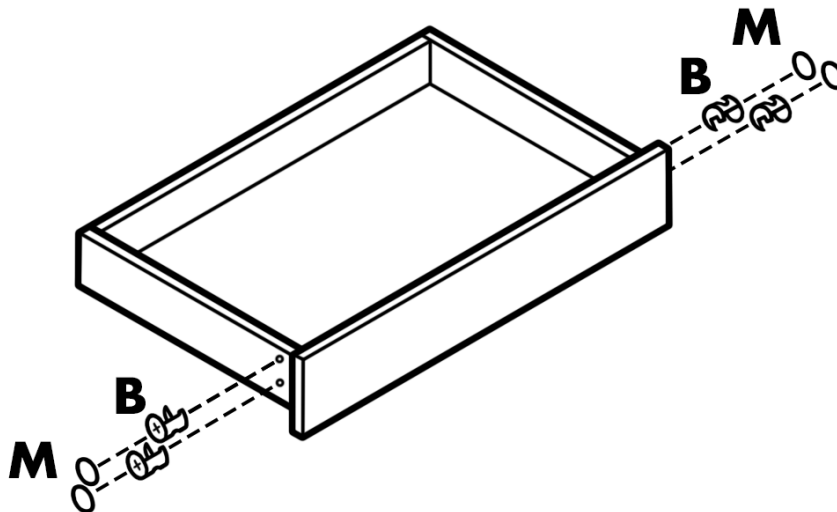
### Parts needed for step 10:

**Drawer back (12)** x1  
**Drawer sides (10&11)** x1  
**Screws (K)** x4

- 11** Attach drawer front (9) by inserting screw ends (A) into respective holes in drawer sides



- 12** Insert screw locks (B) into holes in drawer sides and turn until screws are secure. Then attach covers (M) on top of screw locks



**Parts needed for step 11:**

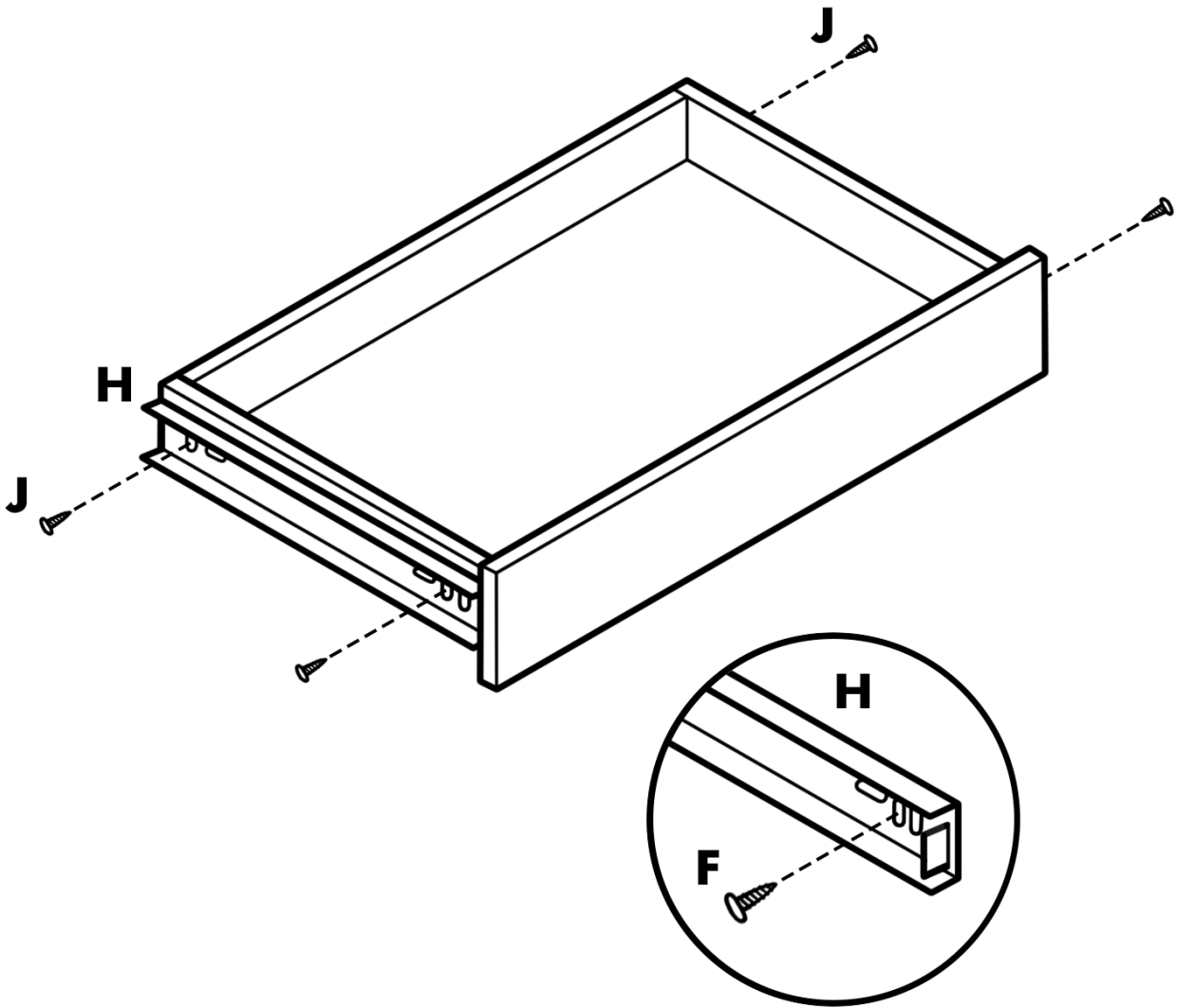
Completed step 9	x1
Completed step 10	x1
Drawer bottom (13)	x1

**Parts needed for step 12:**

Completed step 11	x1
Screw caps (B)	x4
Covers (M)	x4

## Instructions side 7

- 13** Screw drawer slides (H) onto the sides of the drawer

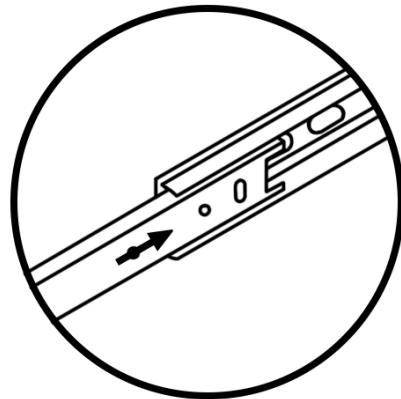
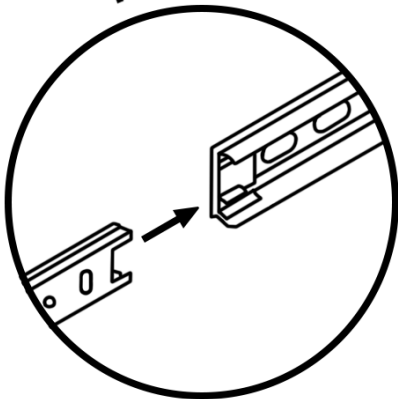
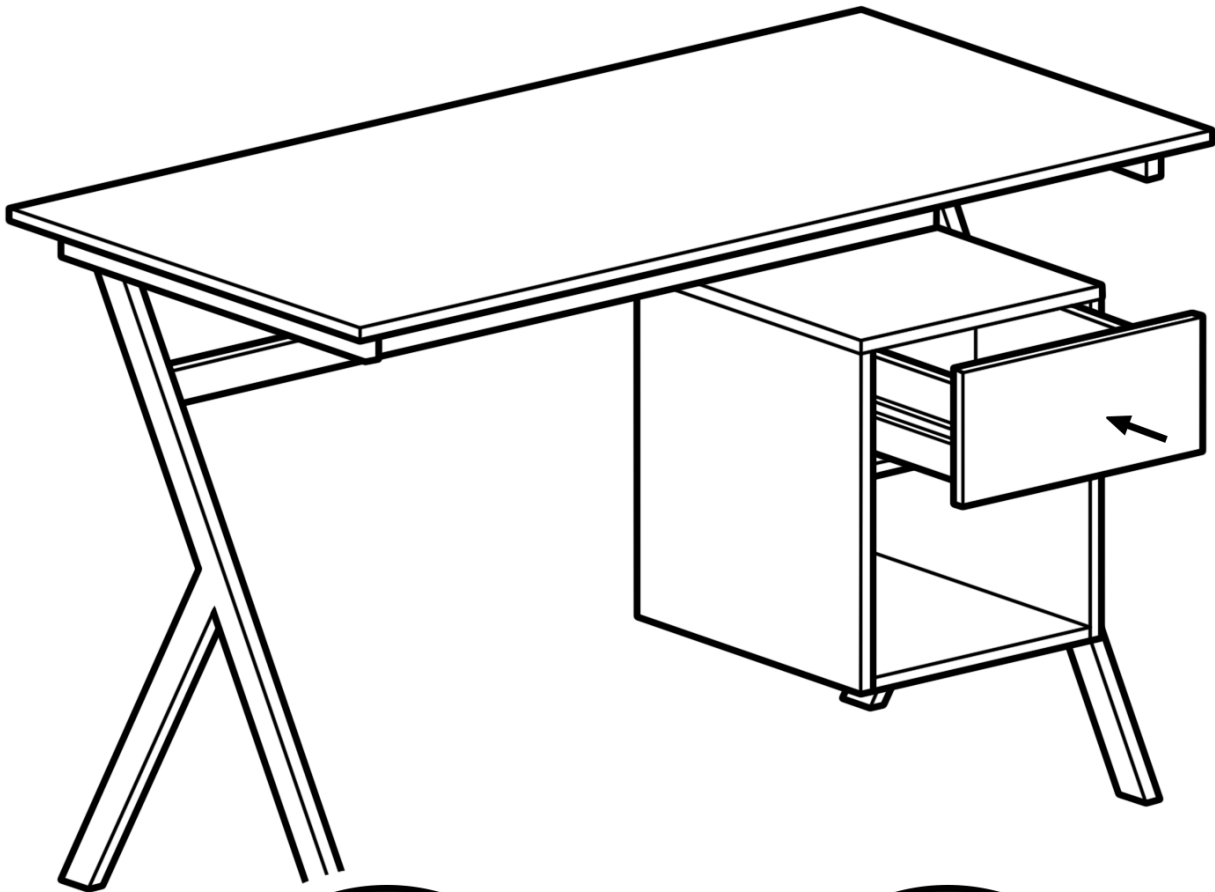


### Parts needed for step 13:

Completed step 12	x1
Drawer slides (H)	x2
Screws (J)	x4

**14**

**Line up drawer slides to slide drawers into cabinet**



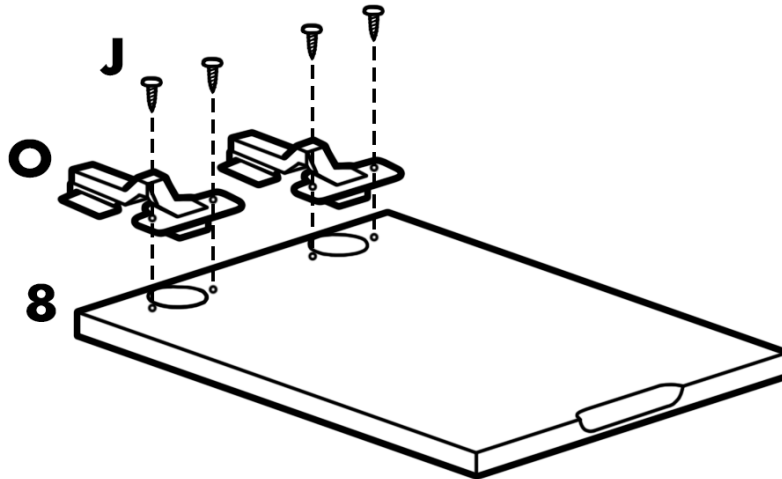
**Parts needed for step 13:**

**Completed step 8** x1

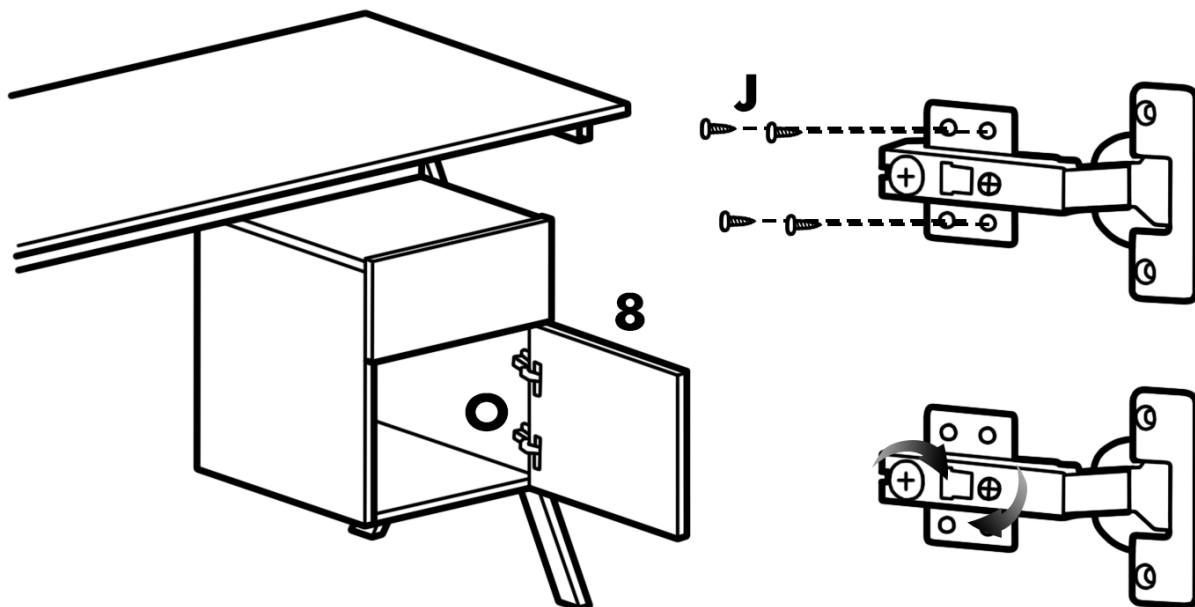
**Completed step 13** x1

## Instructions side 8

- 15** Screw hinges (O) onto cabinet door (8)



- 16** Screw hinge (O) into cabinet side (4). Then tighten hinge screws



### Parts needed for step 15:

Cabinet door (8)	x1
Hinges (O)	x2
Screws (J)	x4

### Parts needed for step 16:

Completed step 14	x1
Completed step 15	x1
Screws (J)	x8

## Product Instructions

Please read these instructions carefully before use

**Bluetooth:** Bluetooth mode is the default on startup. Bluetooth then searches for nearby devices. Once a connection is successful, the music can be played remotely through the Bluetooth device. The maximum Bluetooth distance is approximately 10m in an open area. The use distance varies in different environments

**USB:** Plug a USB device in to switch to USB flash disk mode automatically. Once connected, the music files are found and played automatically

**AUX:** Plug a 3.5mm audio cable into the AUX port to enter AUX mode. It is possible to connect a mobile phone/computer/TV/MP3/MP4/MP5 or another music player. Within this mode, only the volume of the source can be controlled.

**USB charging:** Plug a USB cable in to charge a device. When playing music and charging simultaneously, som happens, restart the device.

**Startup/shutdown button:** Press the button once to turn on, hold the button to shutdown.

**MODE/M:** Switch input source. When Bluetooth/USB/AUX are connected at the same time, the input can be switched to another source.

**Play/Pause:** Play/pause the music currently playing on the soundbox.

**Previous/Next:** When using a USB flash disk or downloaded music, press the buttons to move to the previous or next song respectively. These buttons do not support a wireless connection; use the source device to control.

**Volume up:** Hold down the volume up button to turn up the volume

**Volume down:** Press or hold down the volume down button to turn down the volume.

**Attention:** The soundbox should be charged when shutdown and when not playing music

## FAQs and troubleshooting

### **Soundless**

The volume is set too low or the soundbox is not well connected.

### **Startup failure**

The power source is not properly connected. If the power source works, the control box may have a problem, replace the control box.

### **No response**

Restart the soundbox. Check whether mobile phone/USB flash disk/AUX is connected.

### **Button failure**

Restart the soundbox. Do not force the buttons, check whether there is any impurity or water.

### **Music is skipping**

The product is light sensitive, confirm that there are no objects over the buttons.

### **Bluetooth can't connect**

Shut down connected Bluetooth devices and search again. If the list of bluetooth devices is full, delete unused Bluetooth connections and try again.

### **AUX is soundless**

Confirm the volume of the source device is high and that it can play music. Check that the audio cable is properly connected and in good condition.

### **Remark**

Contact the seller if there are any malfunctions with the soundbox. We apologise for any inconvenience!