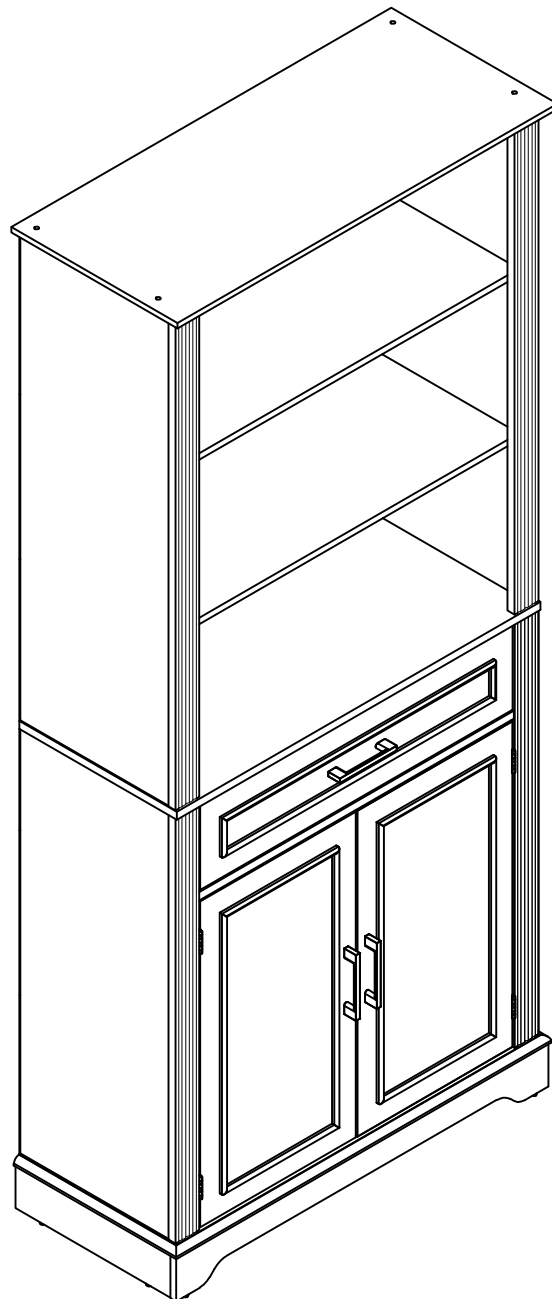
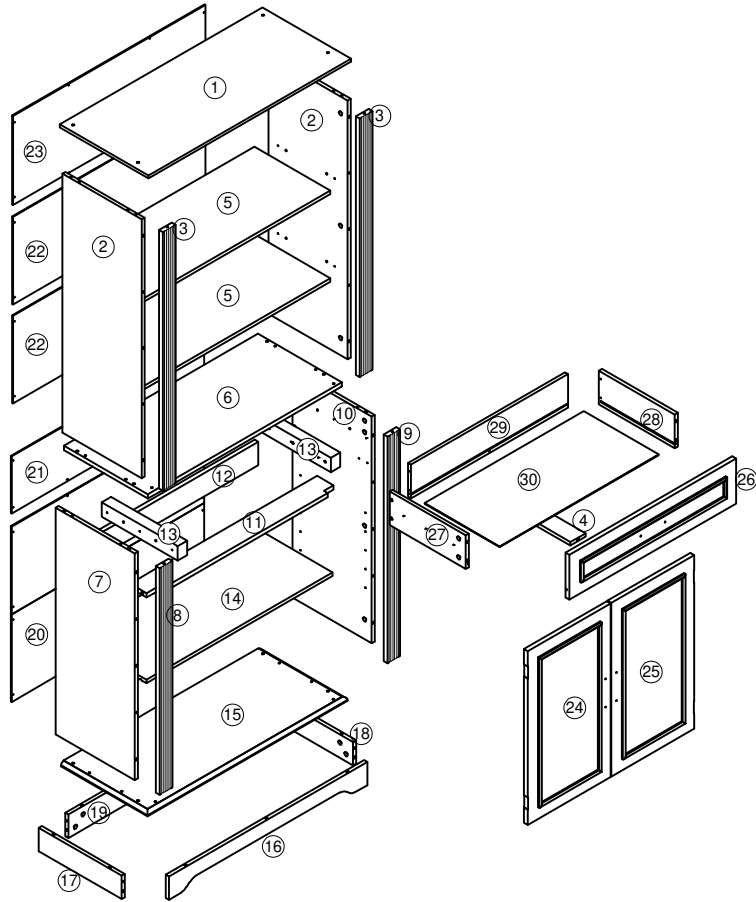

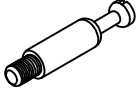

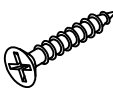
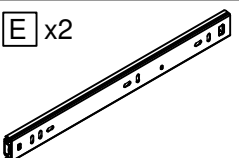

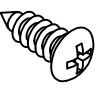
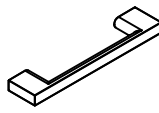
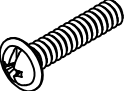



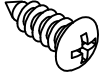
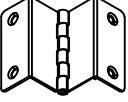



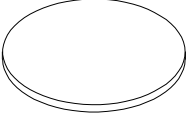


# Bookshelf

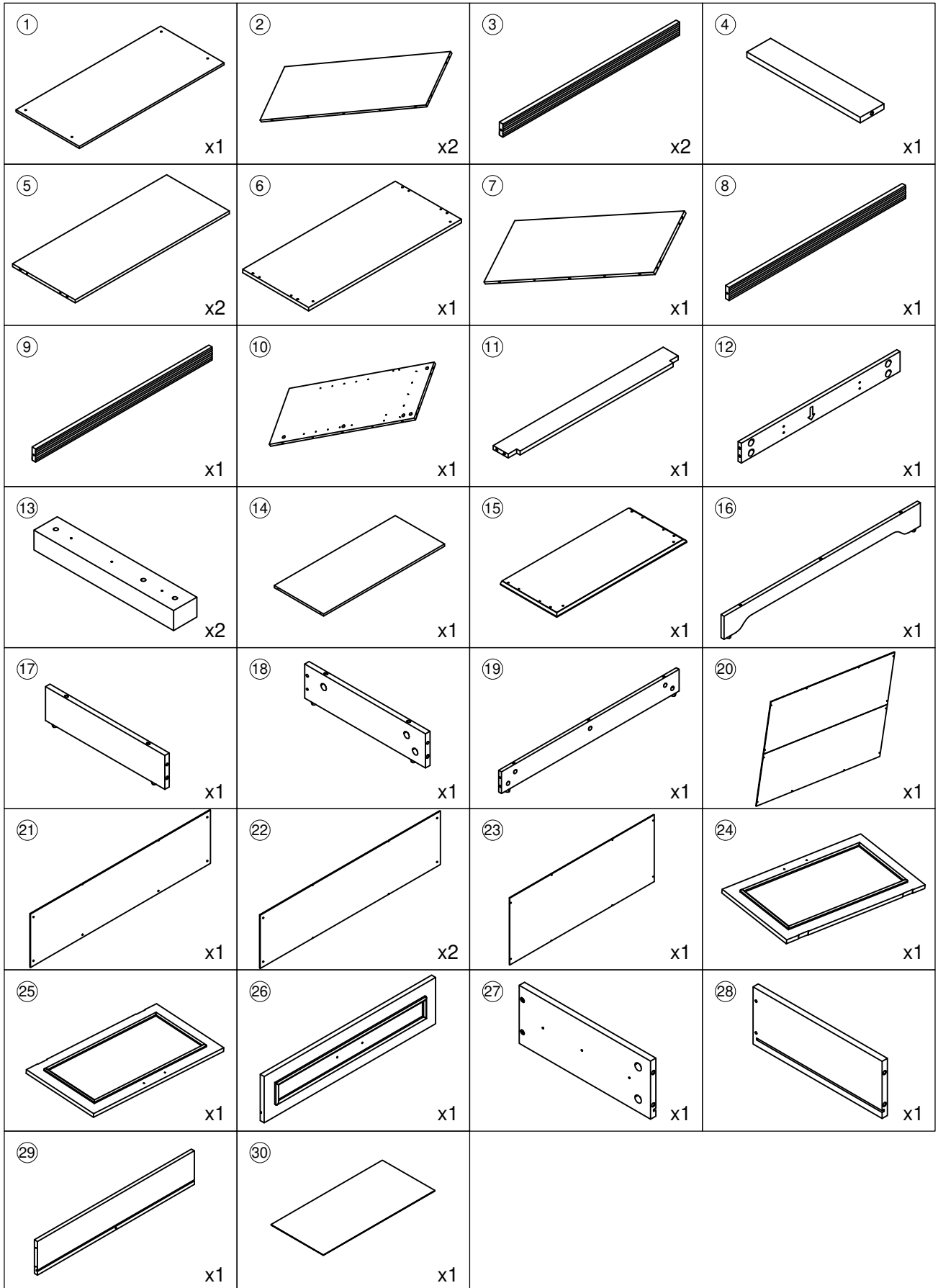


# ASSEMBLY INSTRUCTIONS



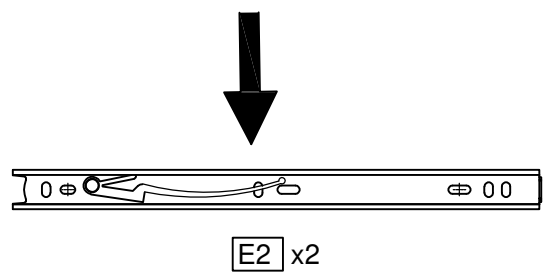
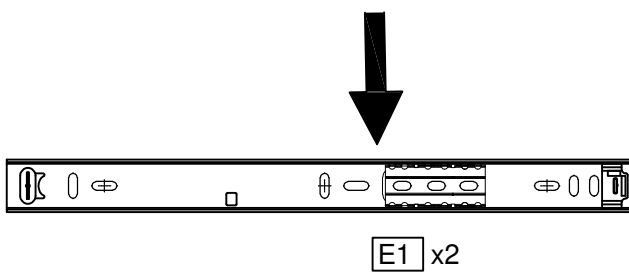
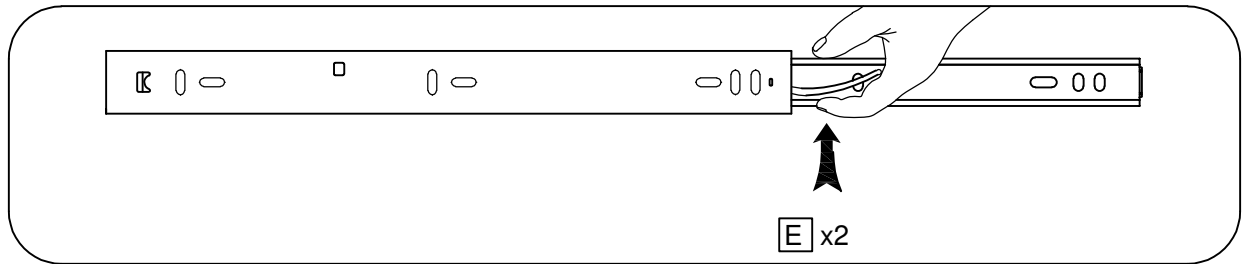
<b>A</b> x48+2  Ø6x30mm	<b>B</b> x51+4  Ø6x35mm	<b>C</b> x51+4  Ø15x10mm	<b>D</b> x11+2  Ø8x35mm	<b>E</b> x2  285mm
<b>F</b> x30+3  Ø7xØ3.5x12mm	<b>G</b> x38+3  Ø7xØ3.5x12mm	<b>H</b> x3 	<b>I</b> x6+1  M4x20mm	<b>J</b> x12+1  Ø5x38mm
<b>K</b> x2  45x12x1.5mm	<b>L</b> x2 	<b>M</b> x4  Ø6xØ3x16mm	<b>N</b> x4  41x34x20mm	<b>O</b> x4+1  Ø5x17mm
<b>P</b> x2 	<b>Q</b> x1 	<b>R</b> x30 		

# ASSEMBLY INSTRUCTIONS

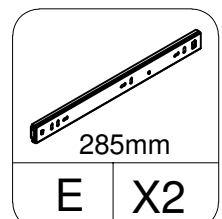
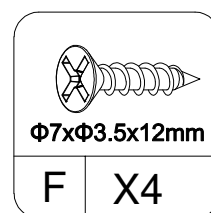
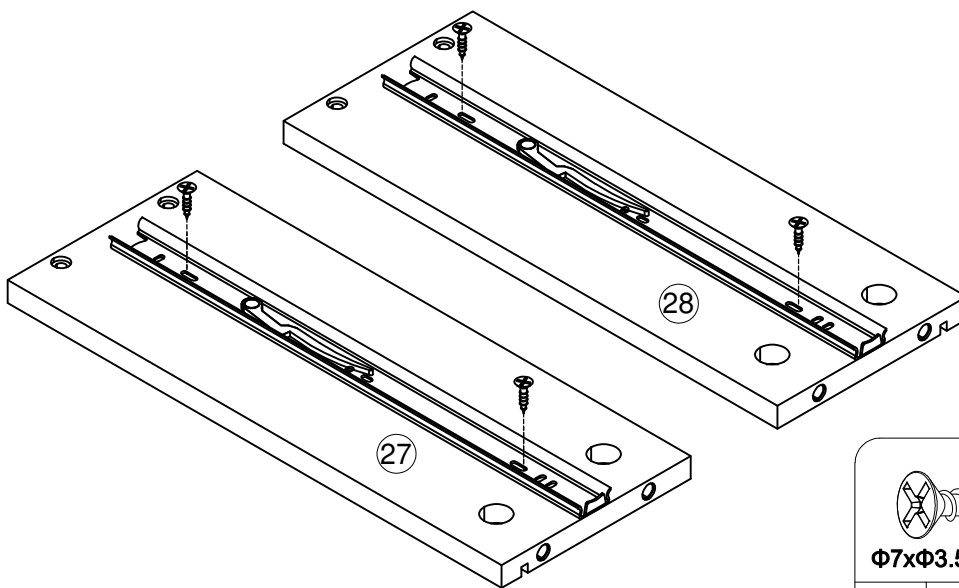
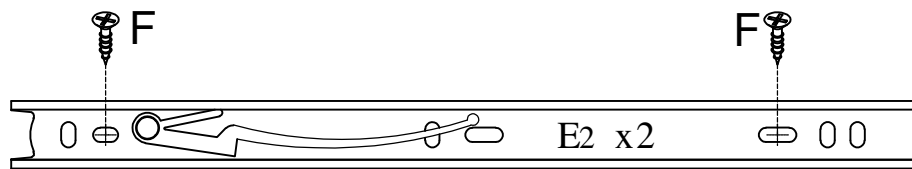


# INSTALLATION INSTRUCTION

## STEP 1

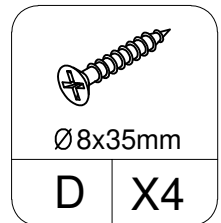
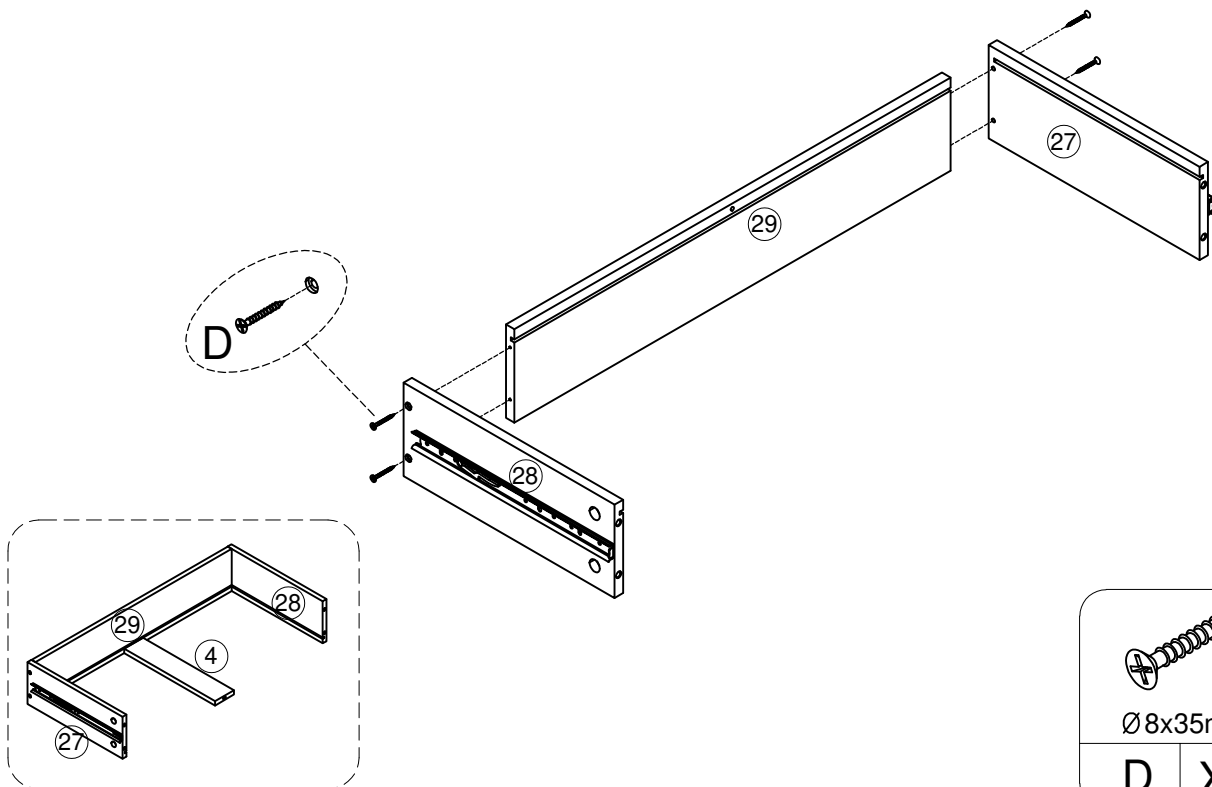


## STEP 2

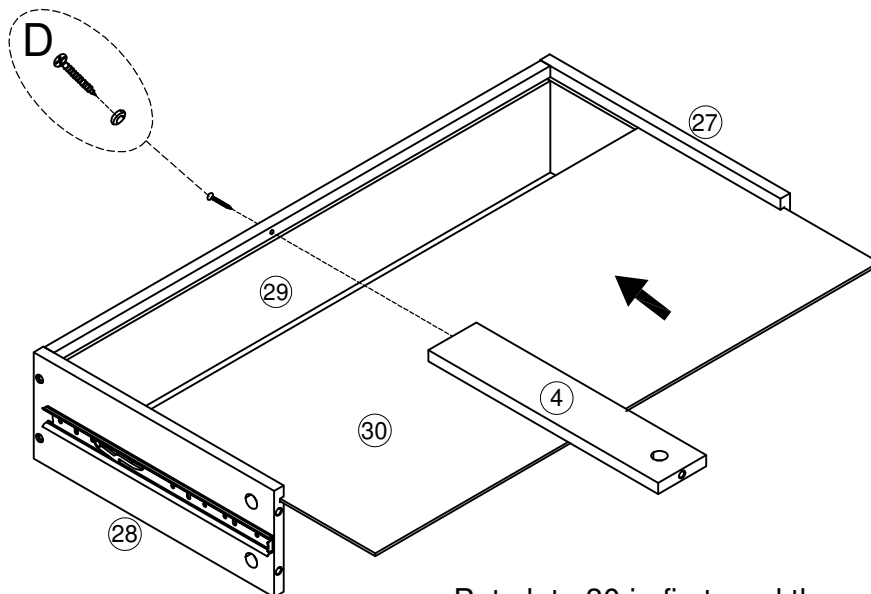


# INSTALLATION INSTRUCTION

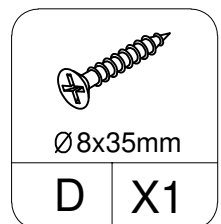
## STEP 3



## STEP 4

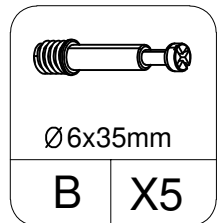
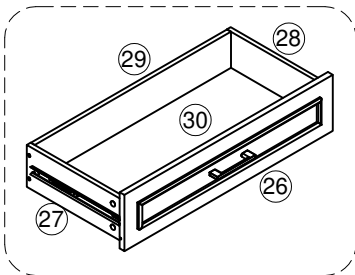
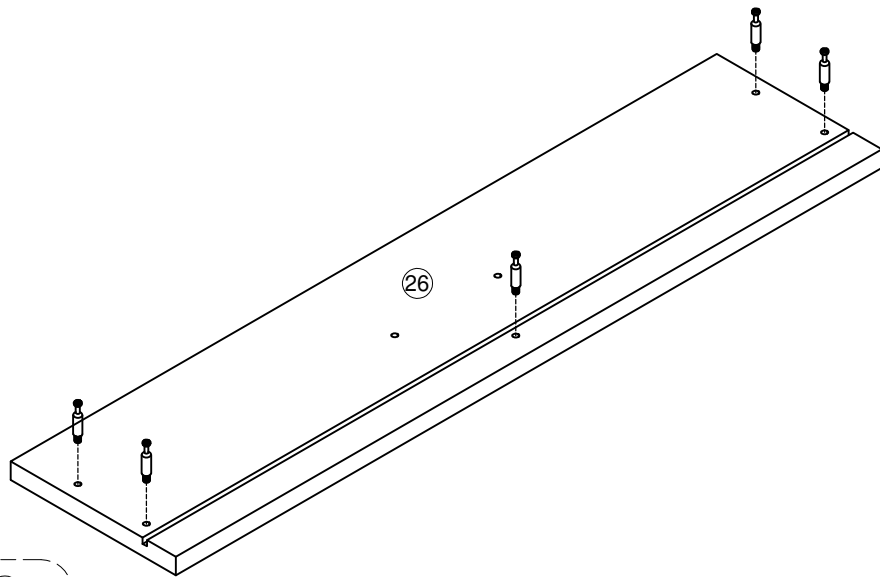


Put plate 30 in first, and then lock plate 4 with screw D

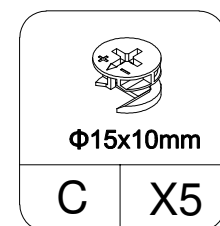
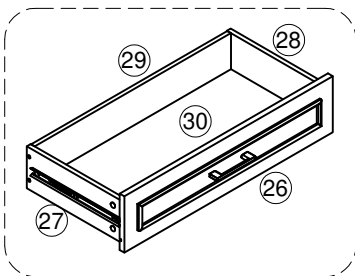
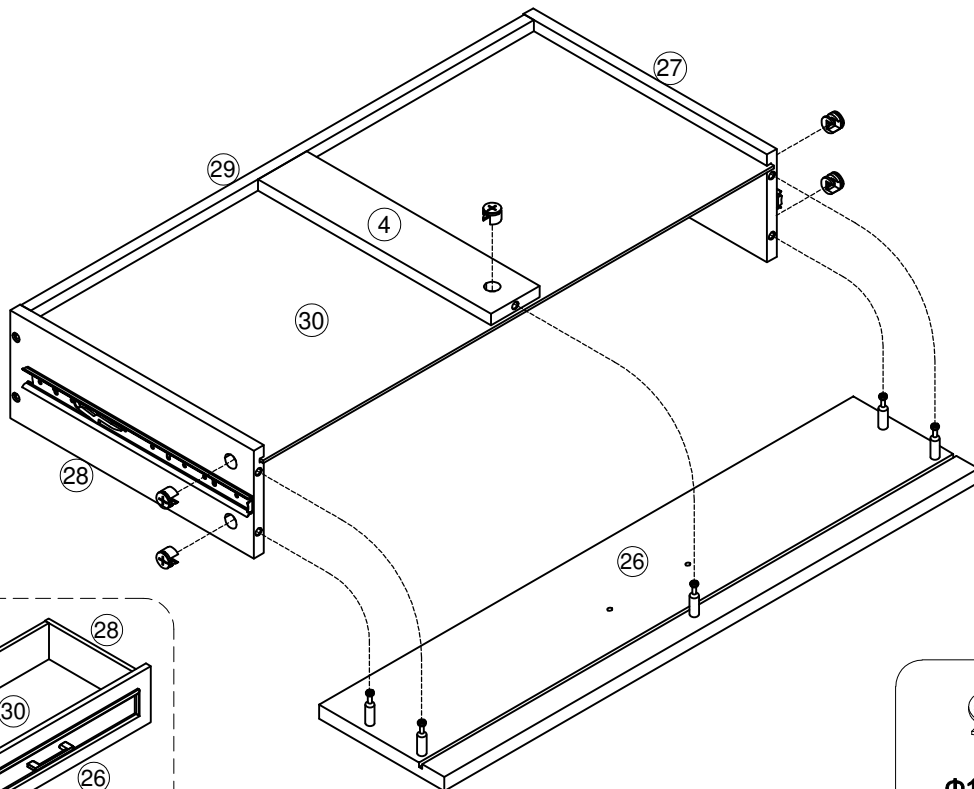


# INSTALLATION INSTRUCTION

## STEP 5

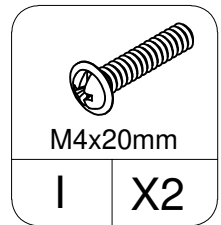
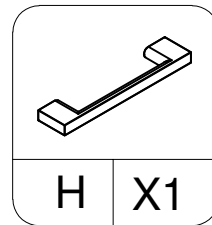
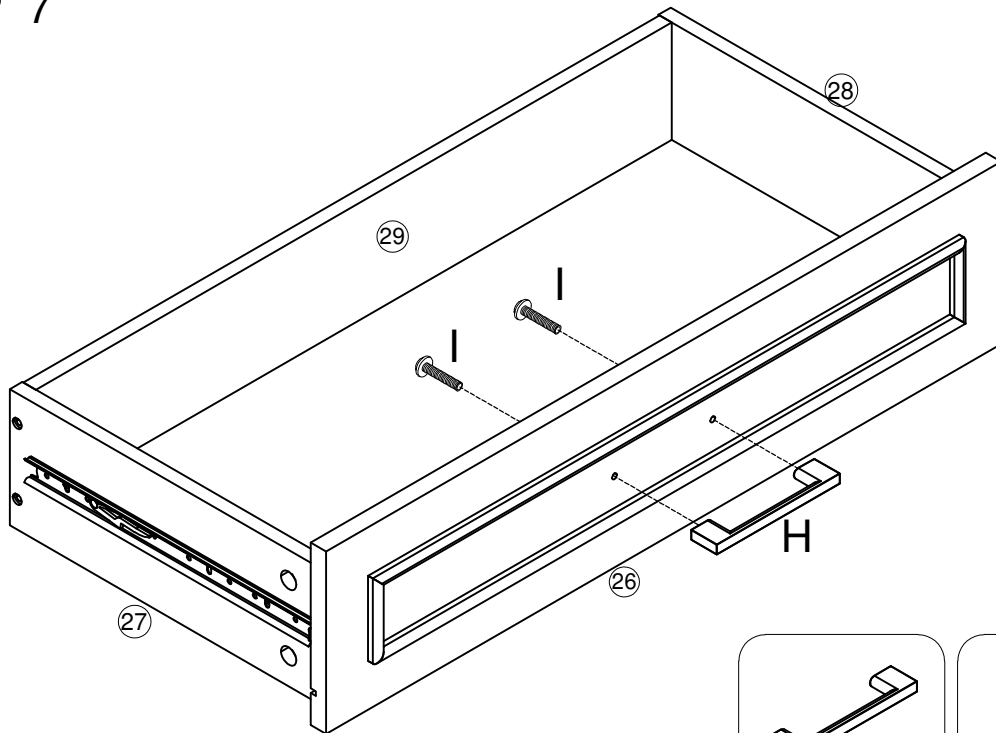


## STEP 6

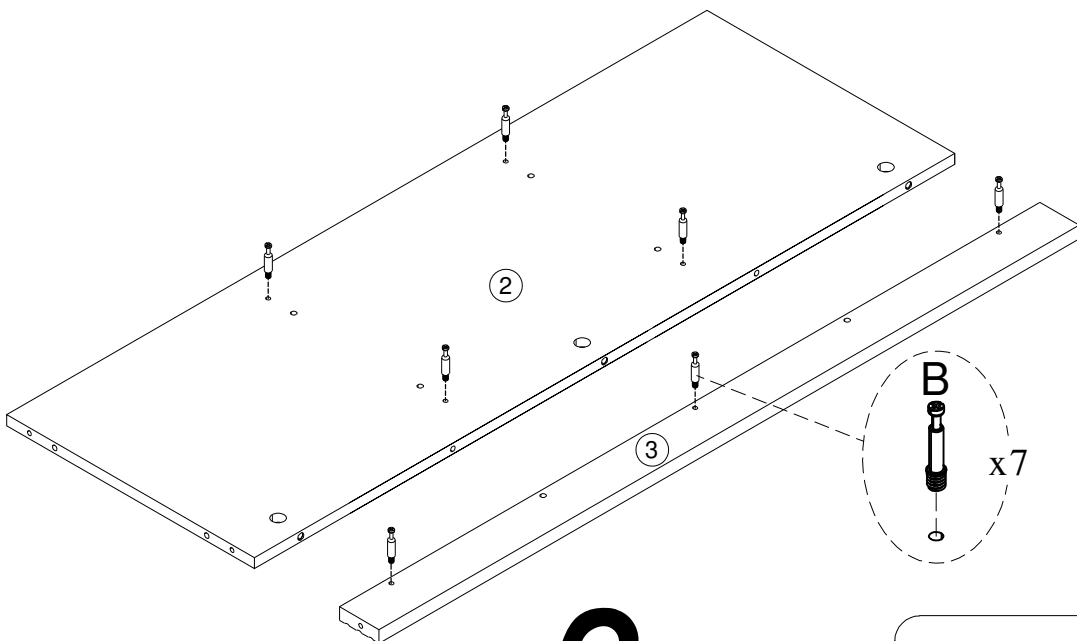


# INSTALLATION INSTRUCTION

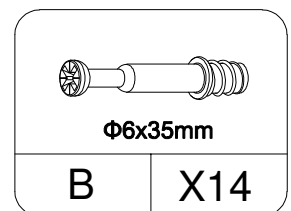
## STEP 7



## STEP 8

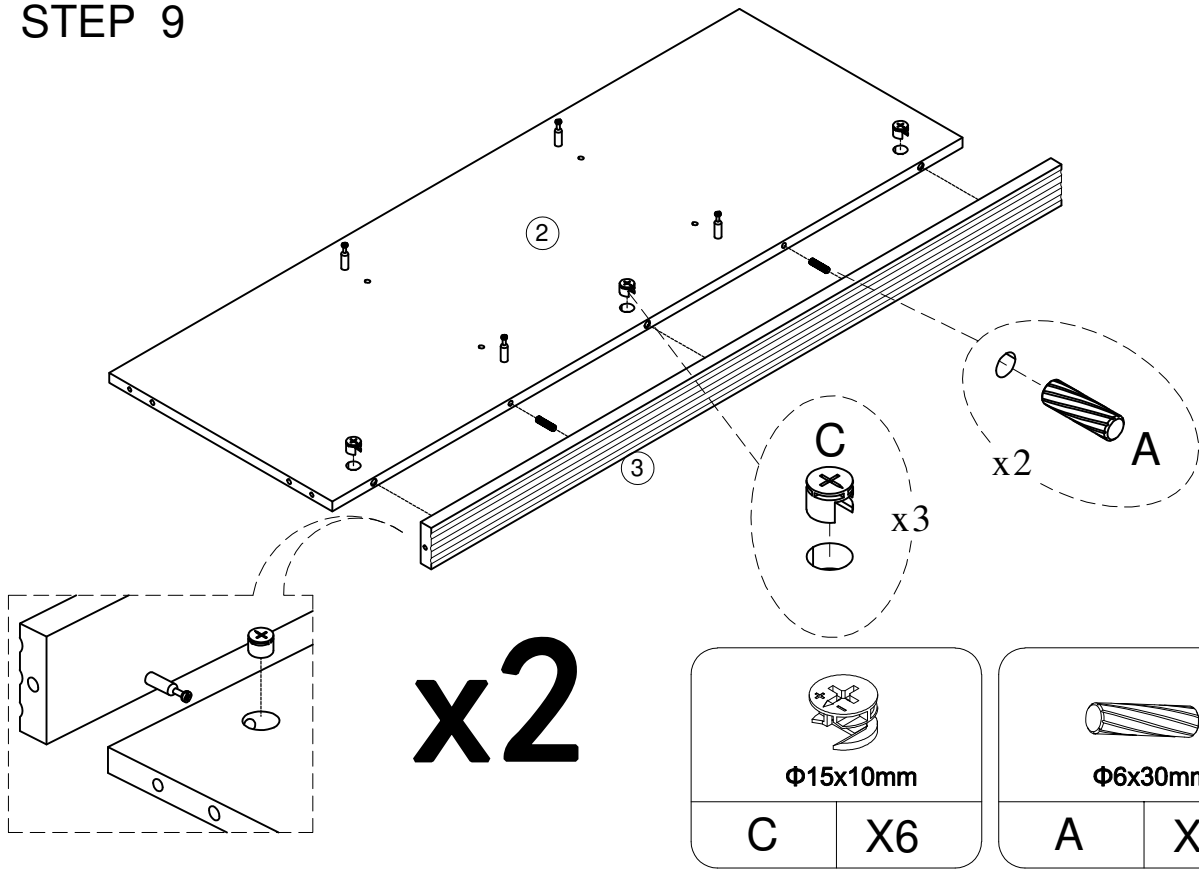


**x2**

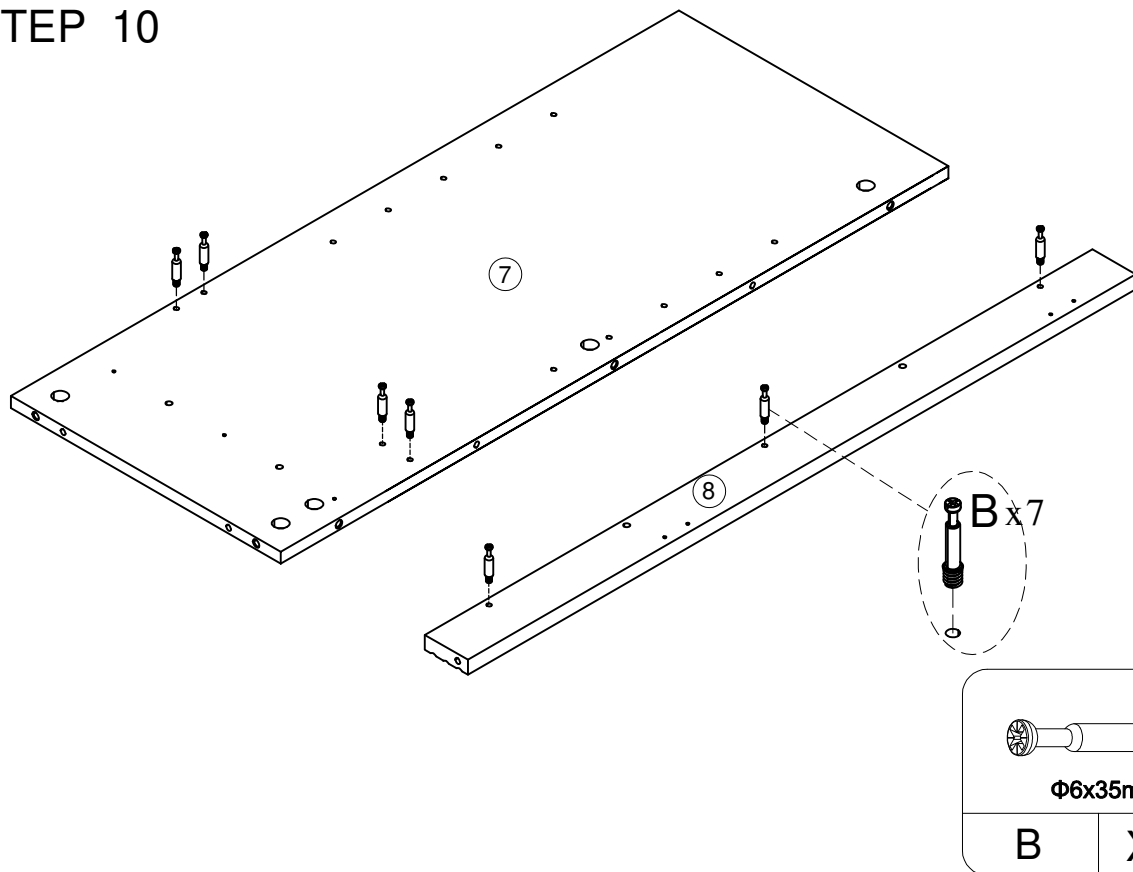


# INSTALLATION INSTRUCTION

## STEP 9

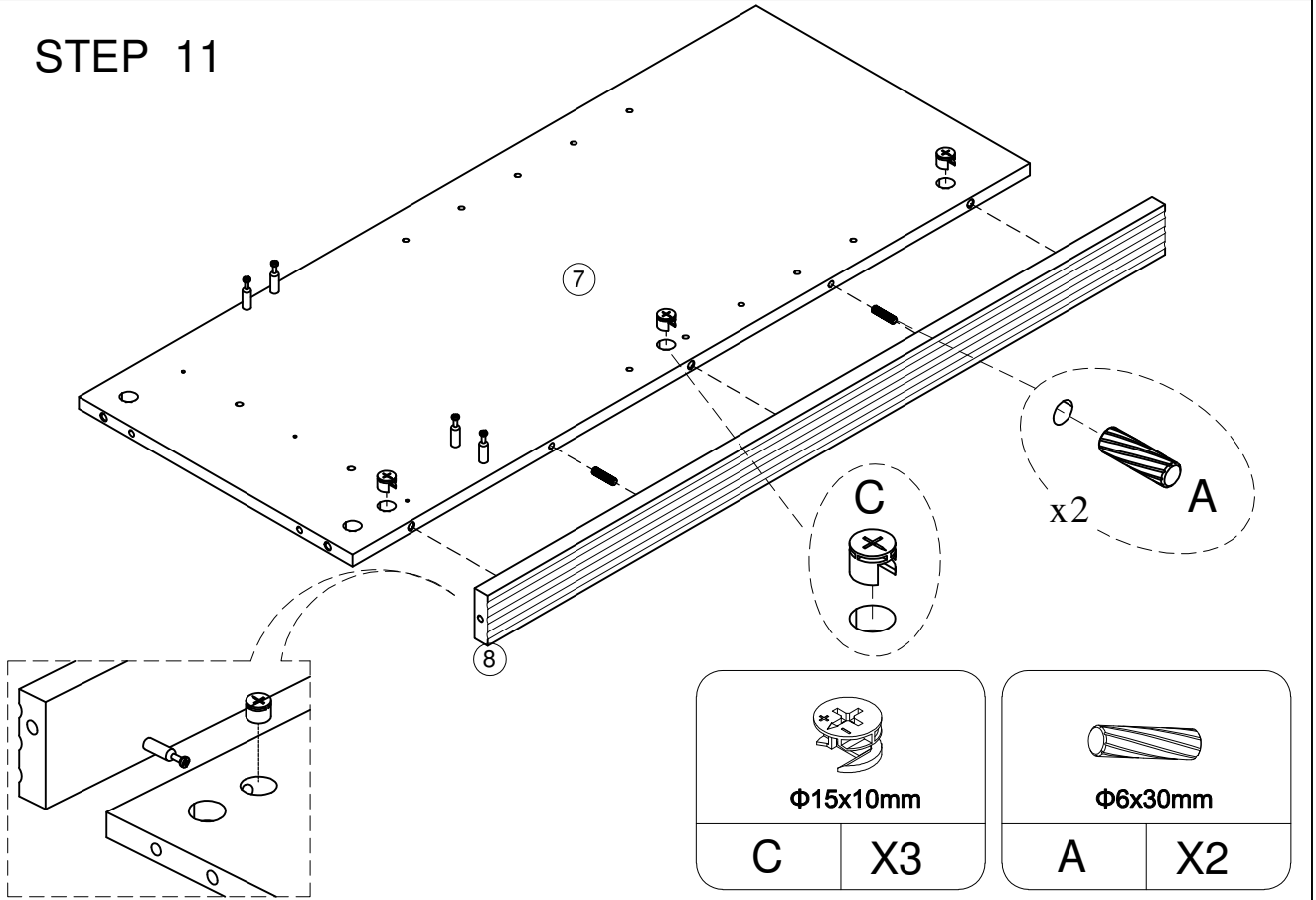


## STEP 10

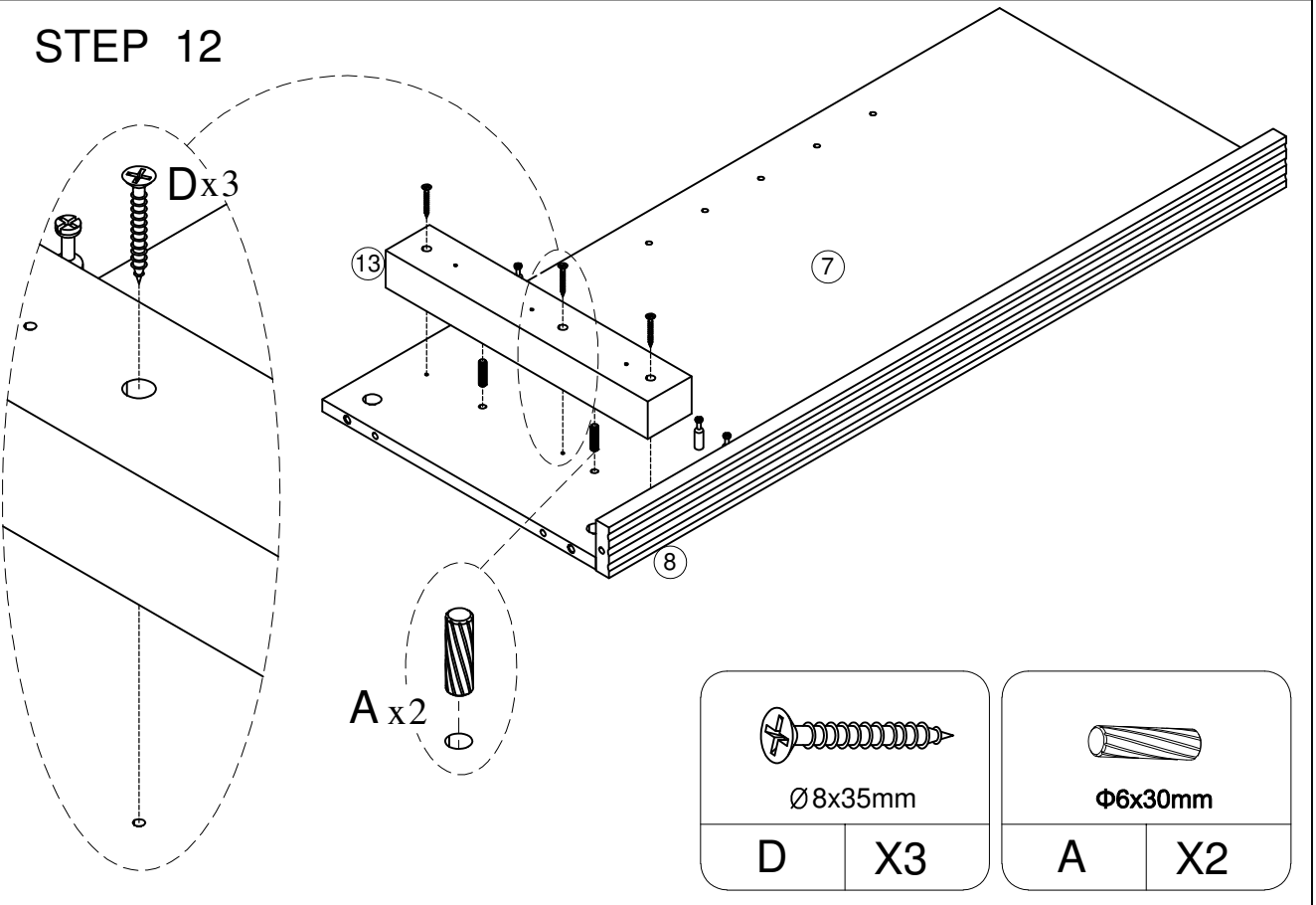


# INSTALLATION INSTRUCTION

## STEP 11

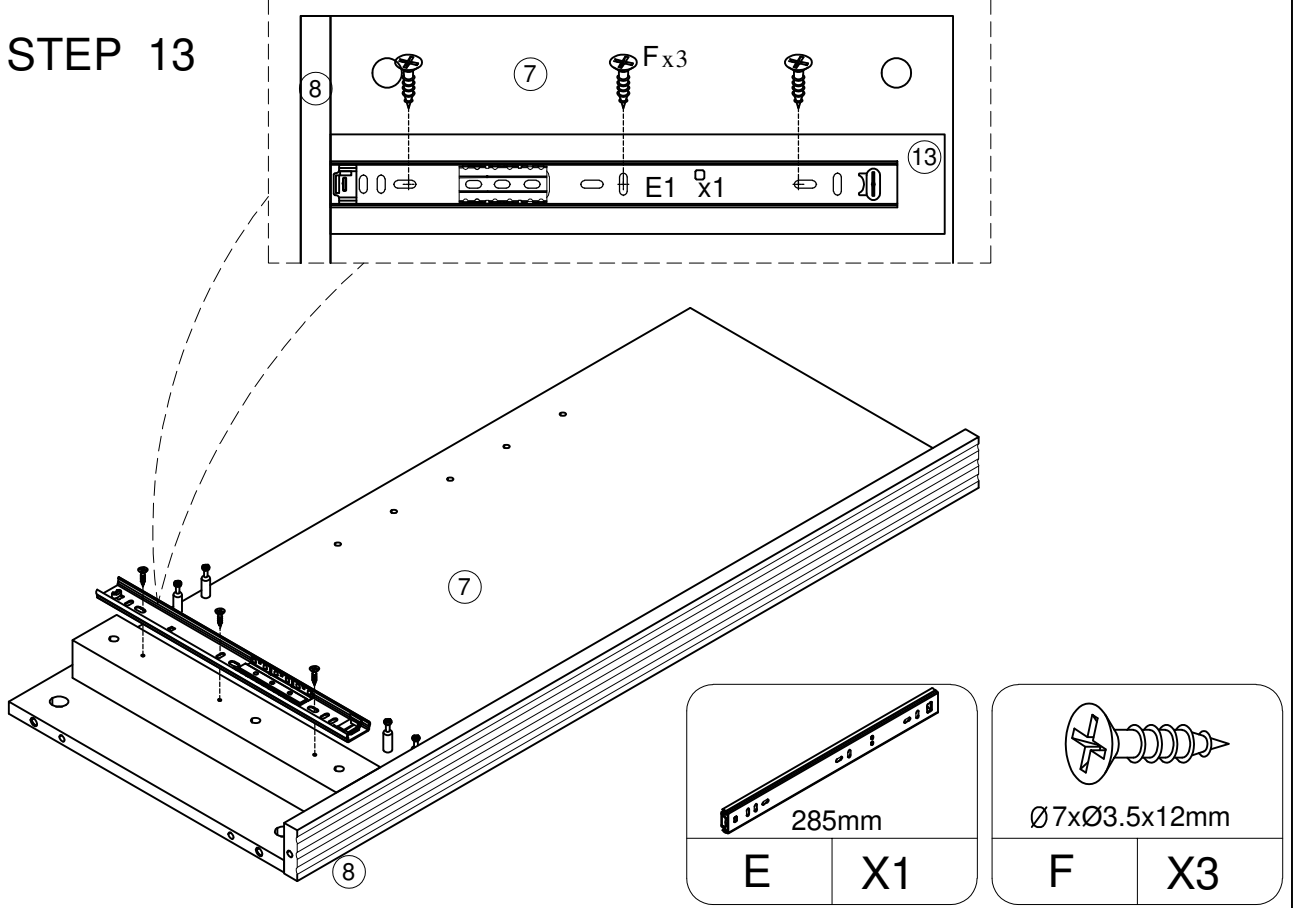


## STEP 12

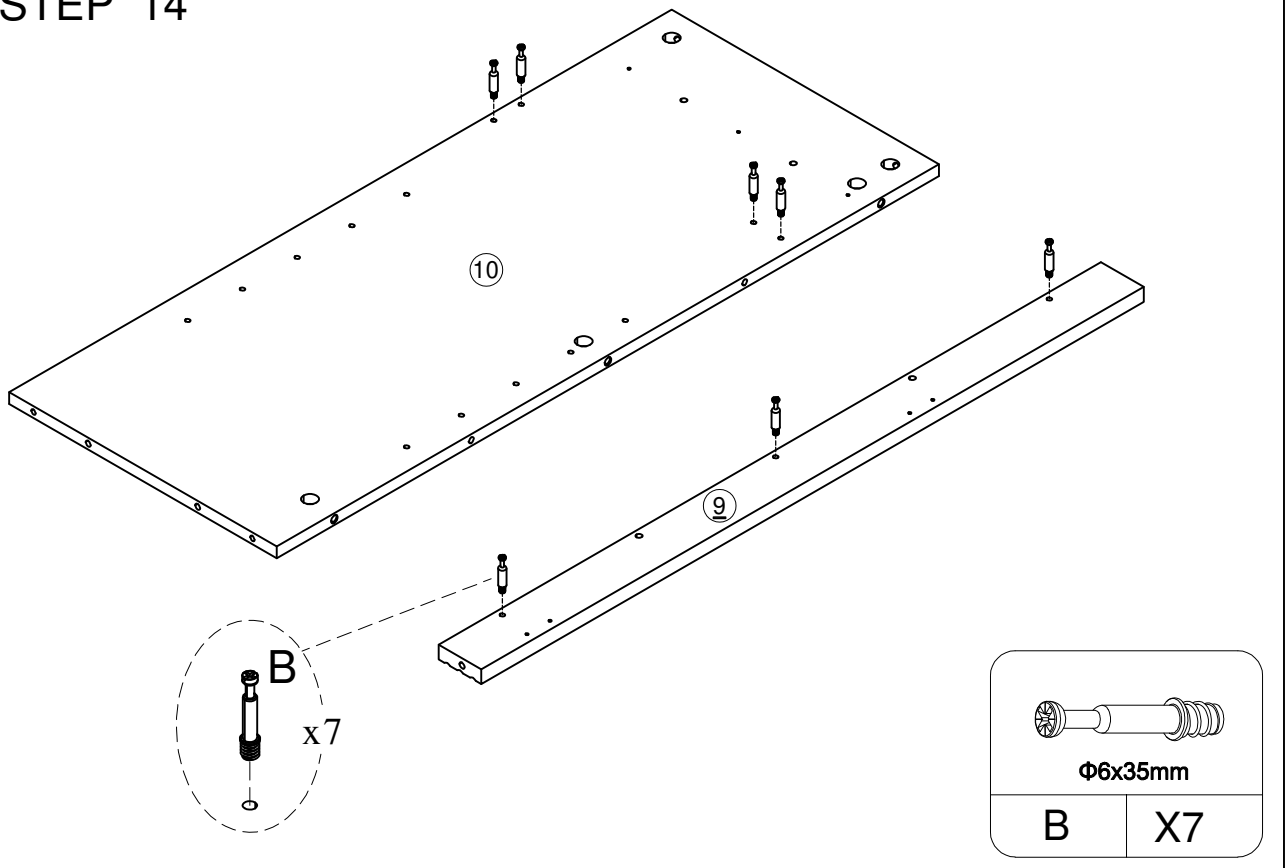


# INSTALLATION INSTRUCTION

## STEP 13

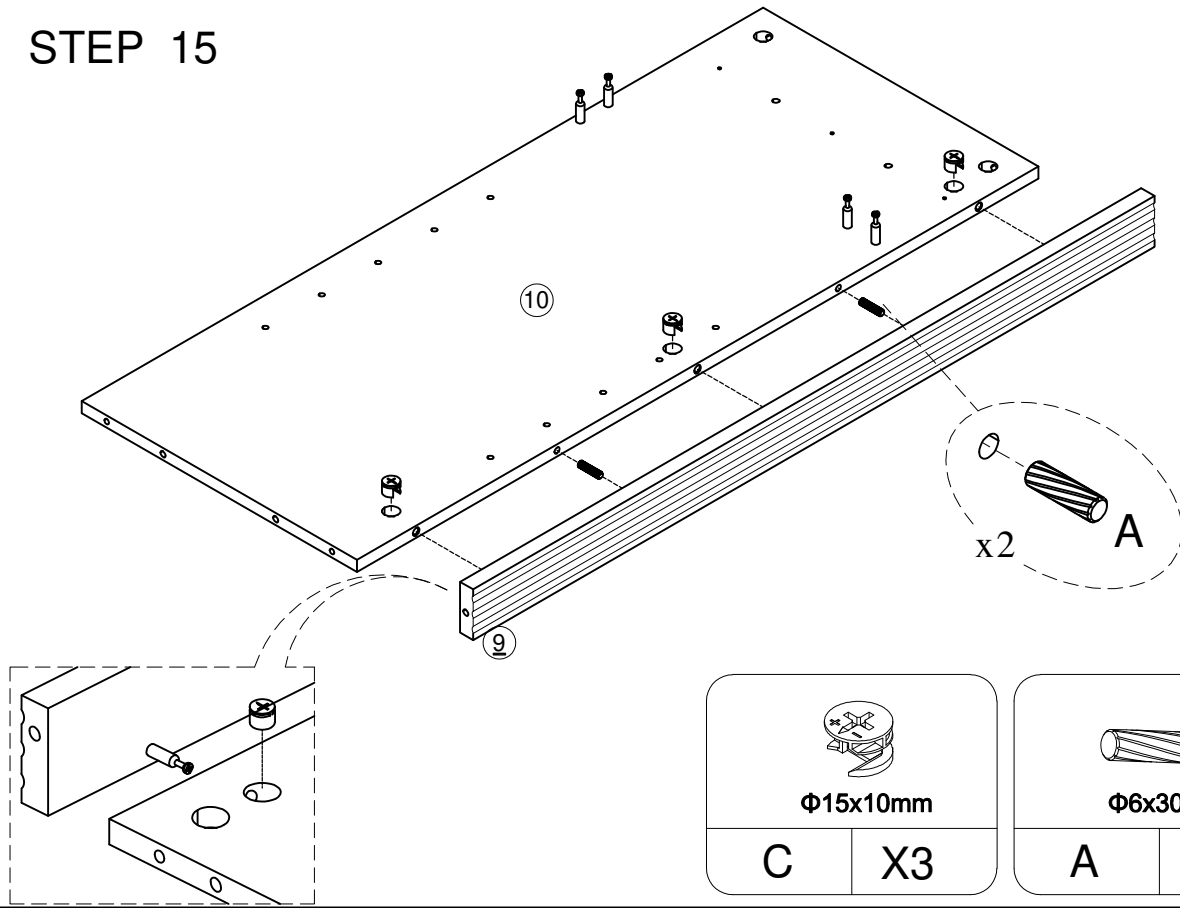


## STEP 14

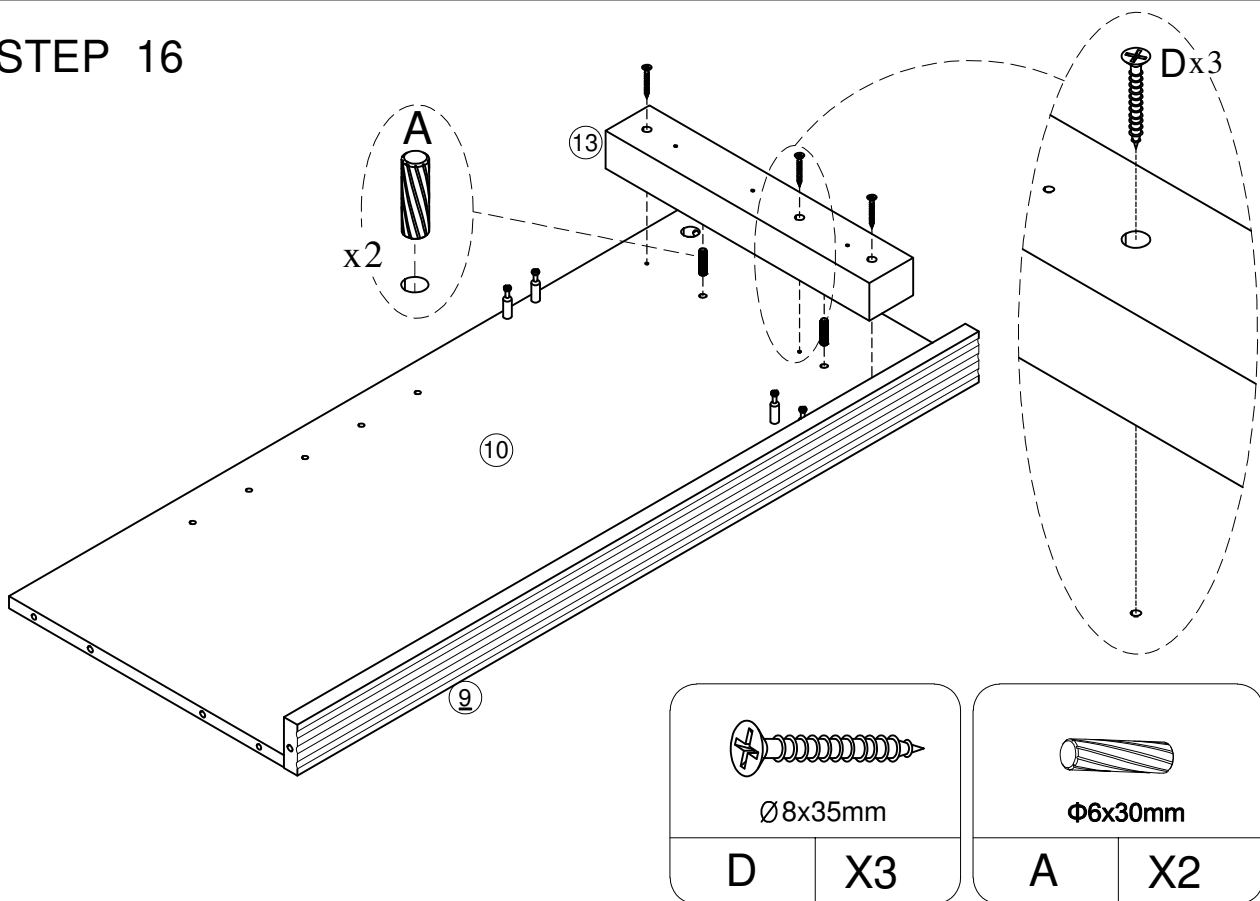


# INSTALLATION INSTRUCTION

## STEP 15

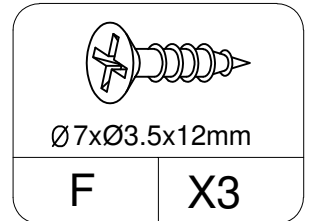
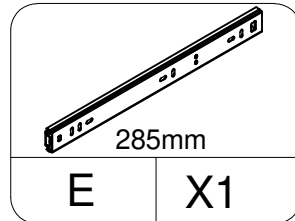
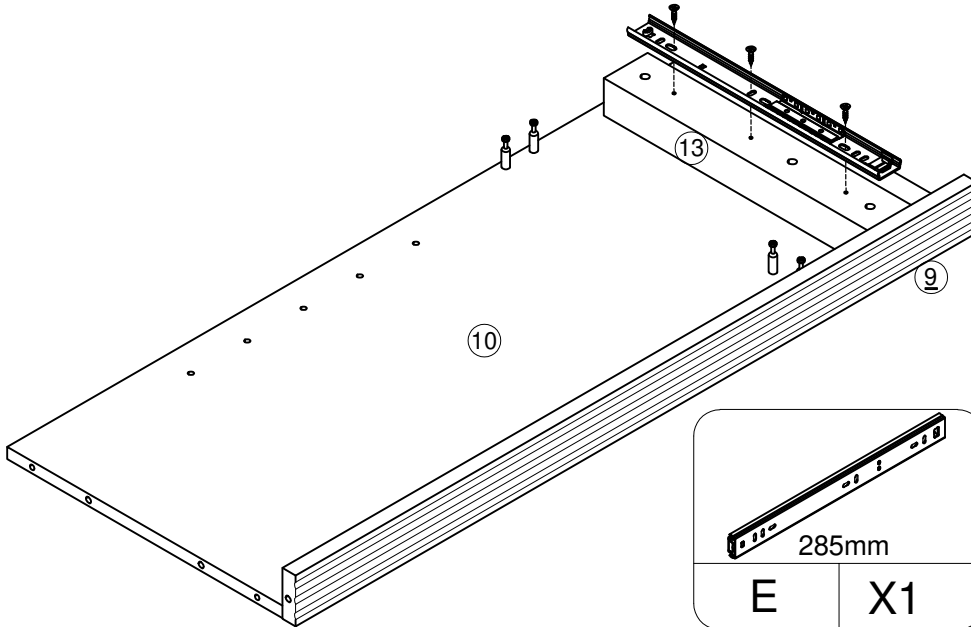
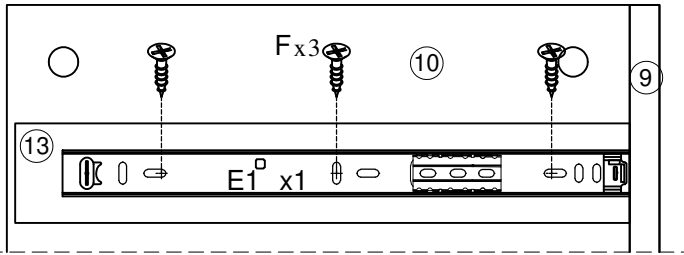


## STEP 16

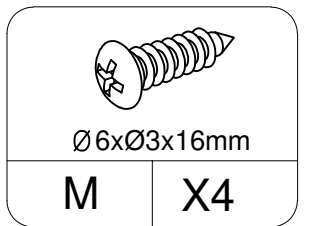
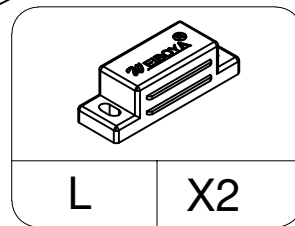
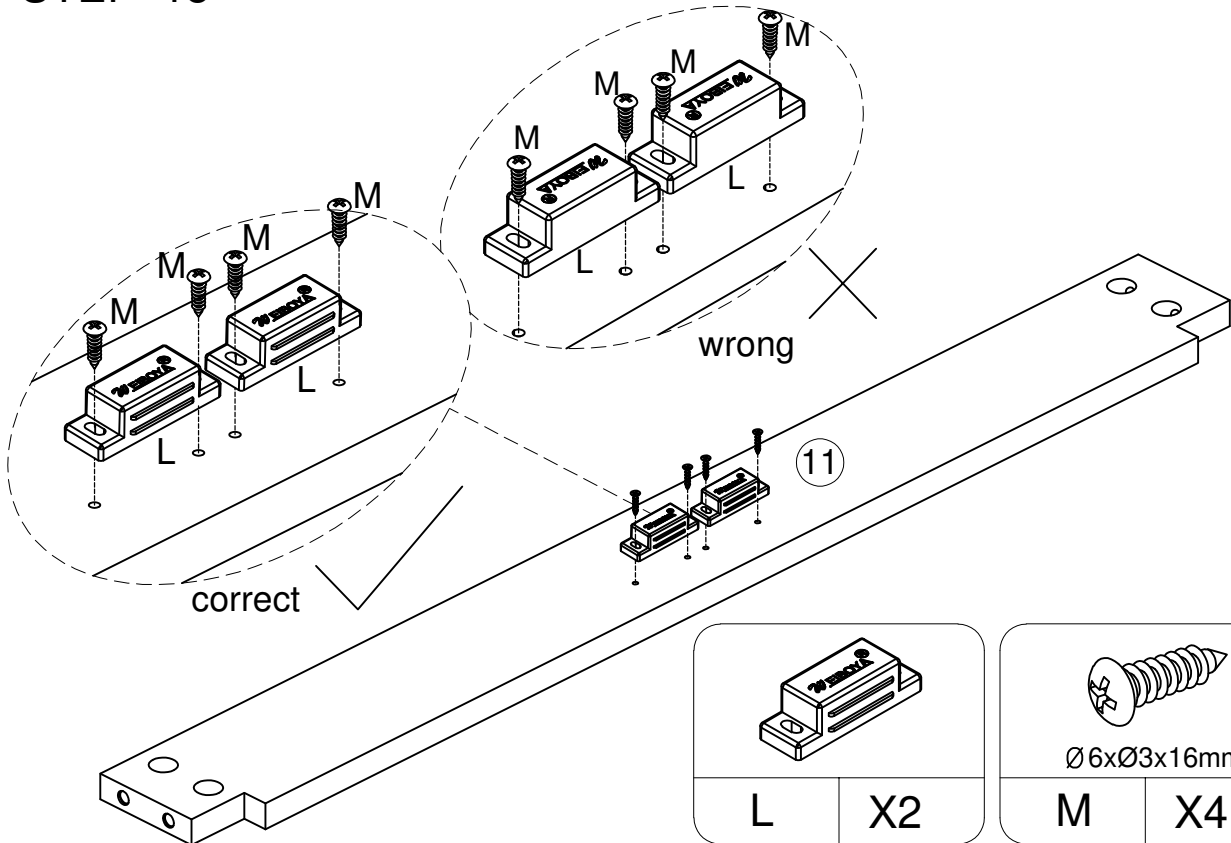


# INSTALLATION INSTRUCTION

## STEP 17

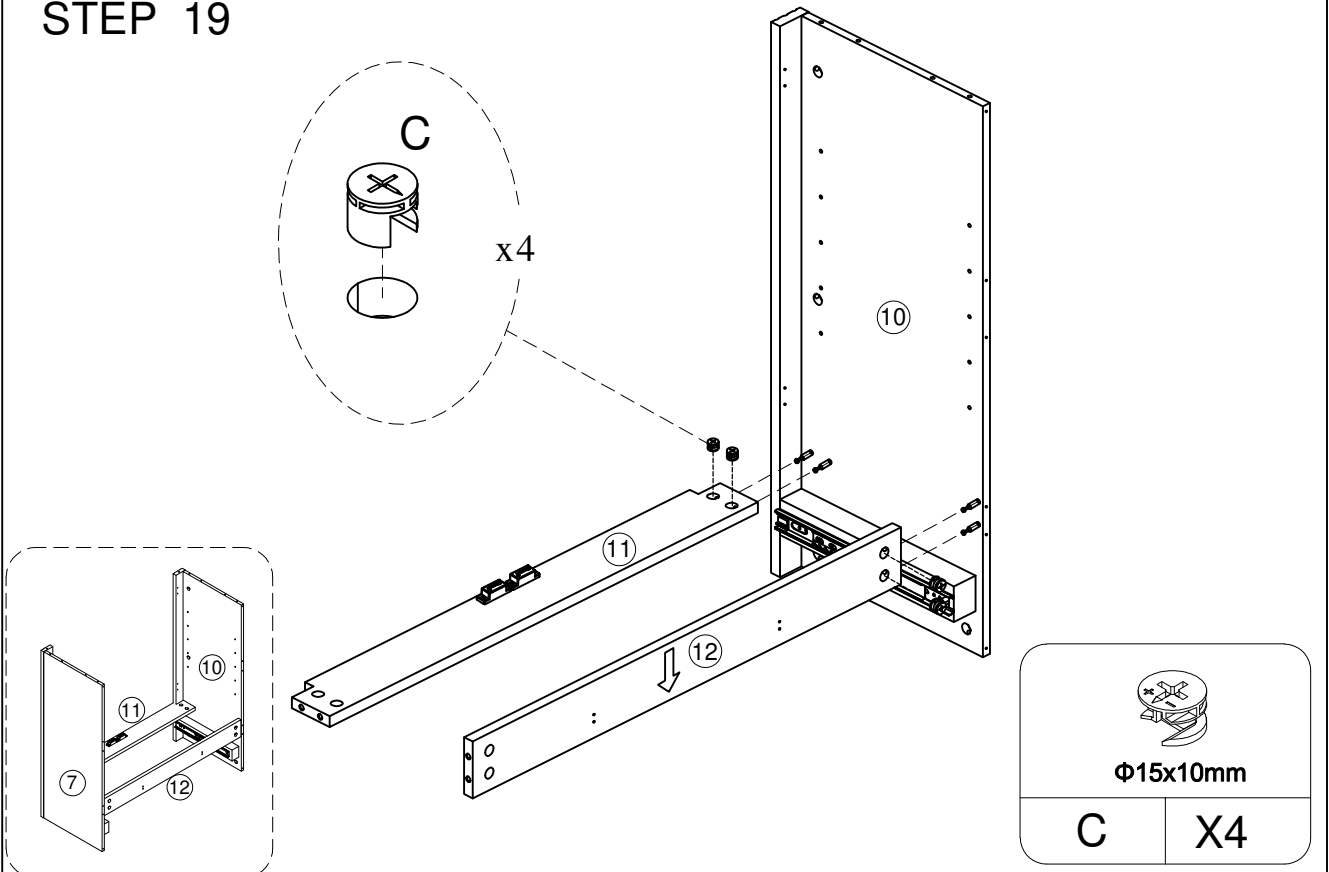


## STEP 18

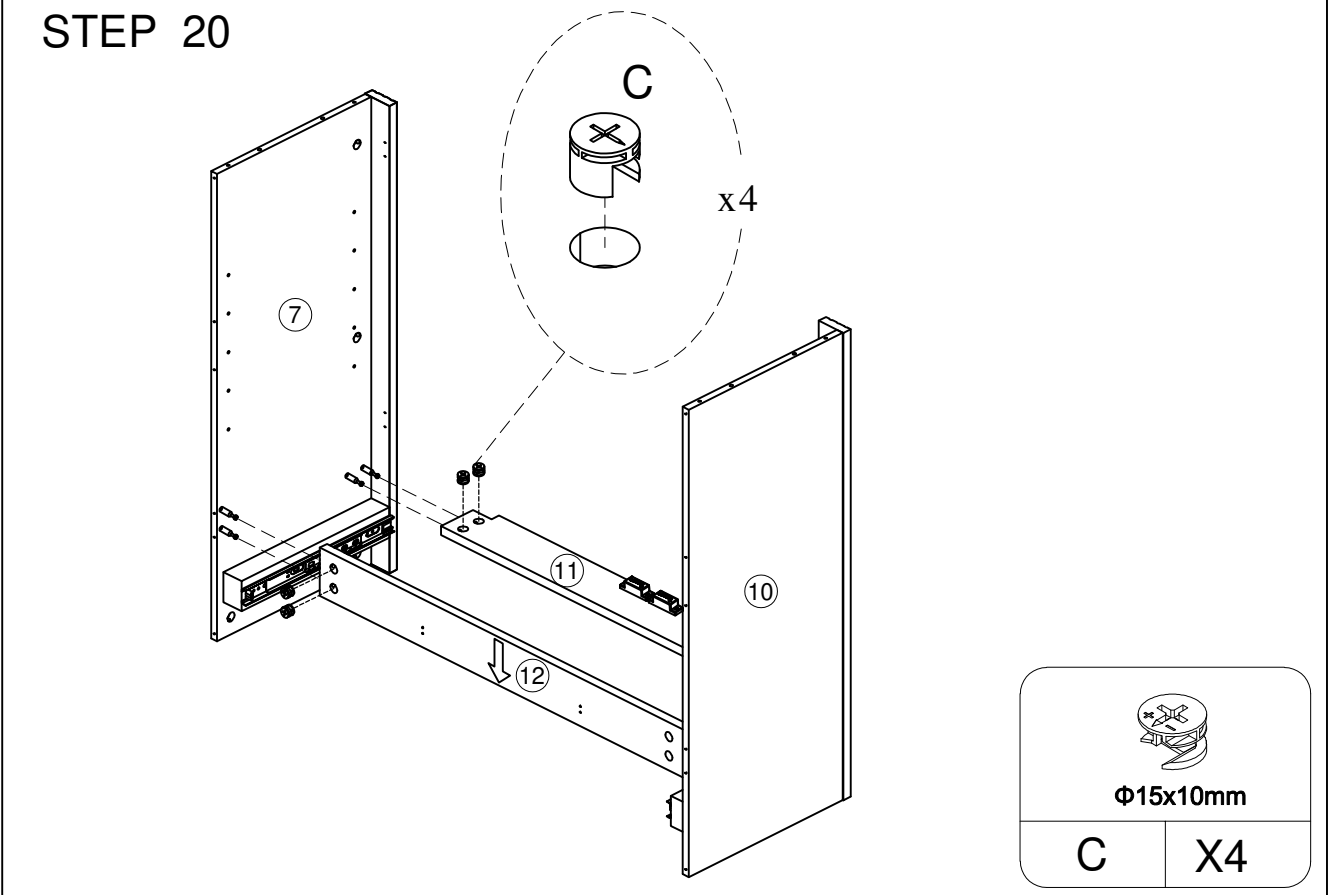


# INSTALLATION INSTRUCTION

## STEP 19

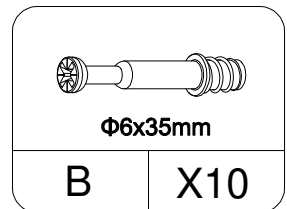
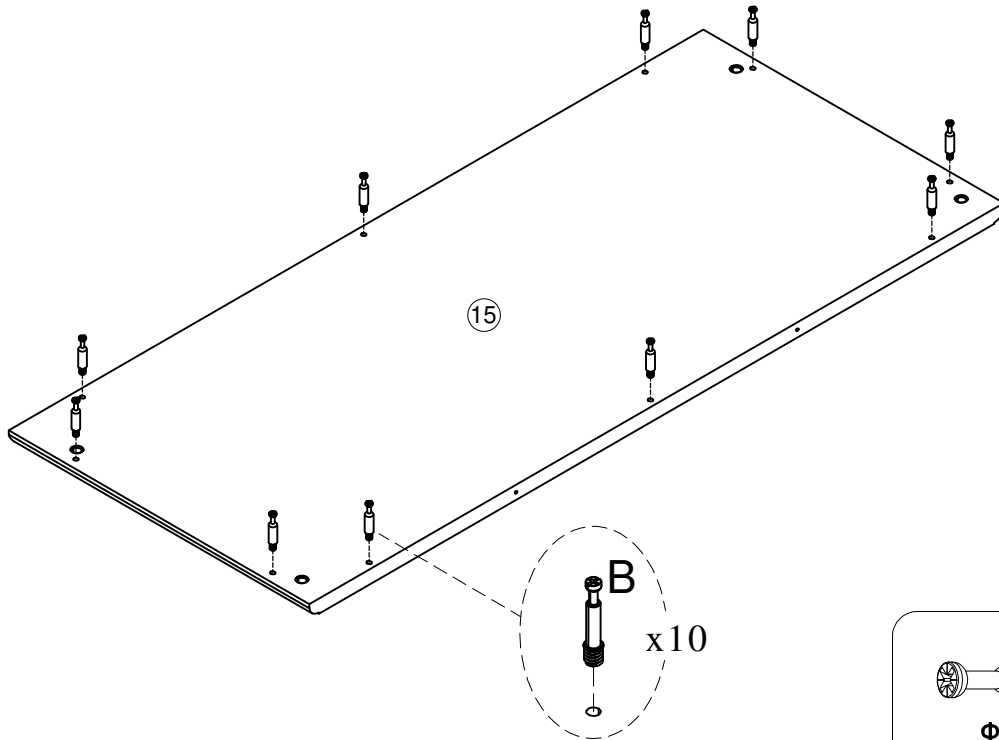


## STEP 20

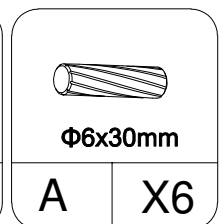
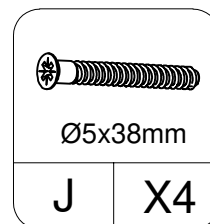
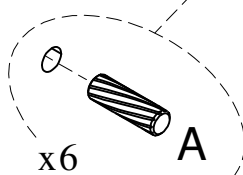
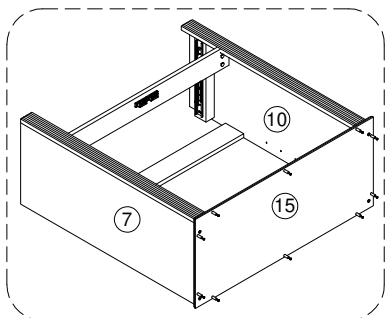
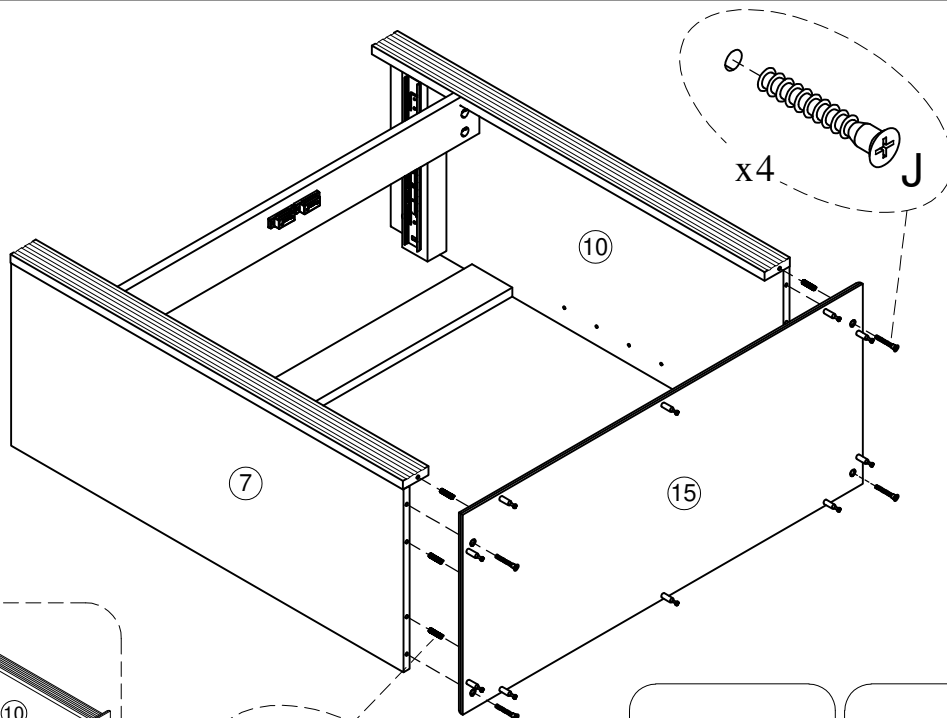


# INSTALLATION INSTRUCTION

## STEP 21

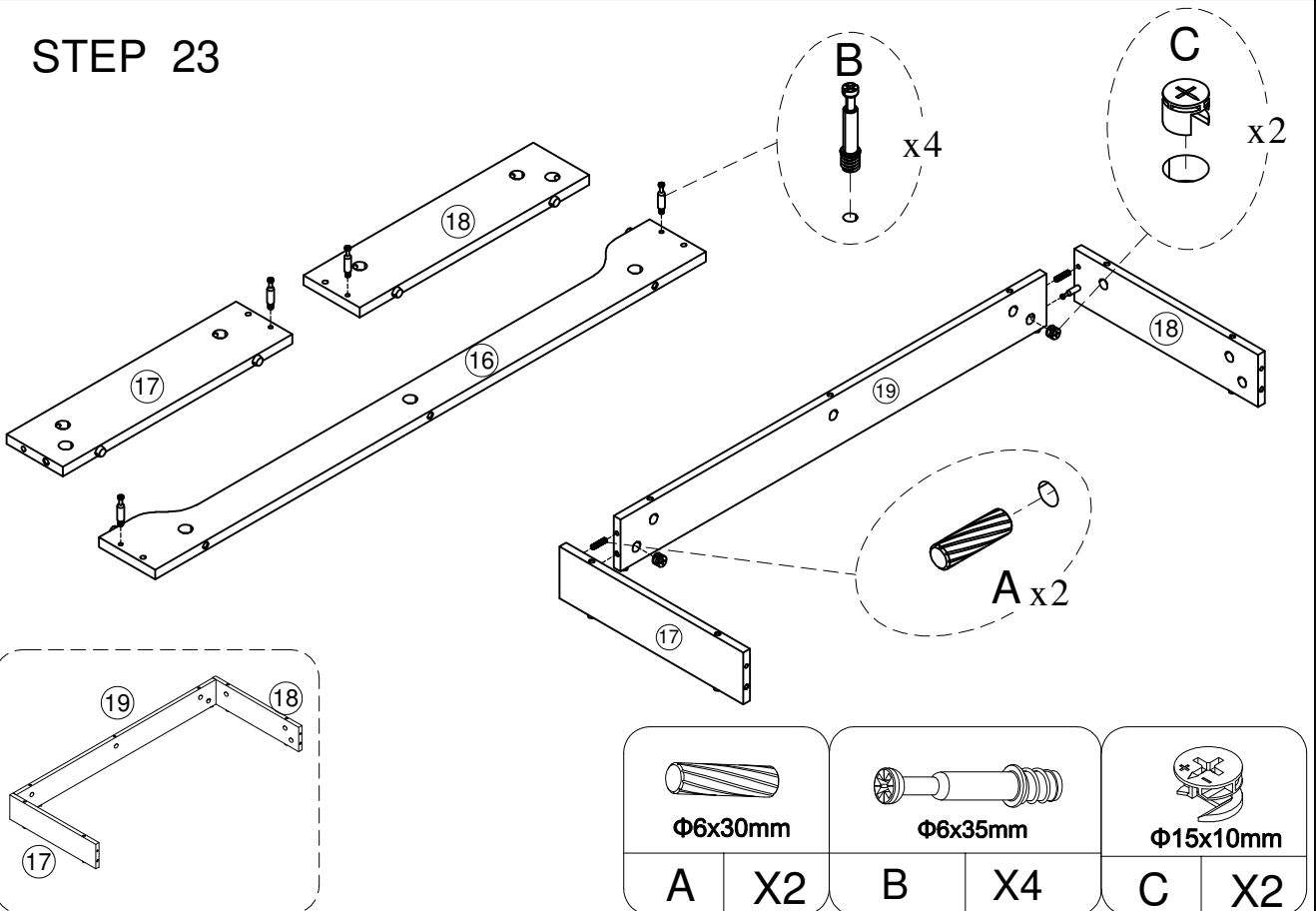


## STEP 22

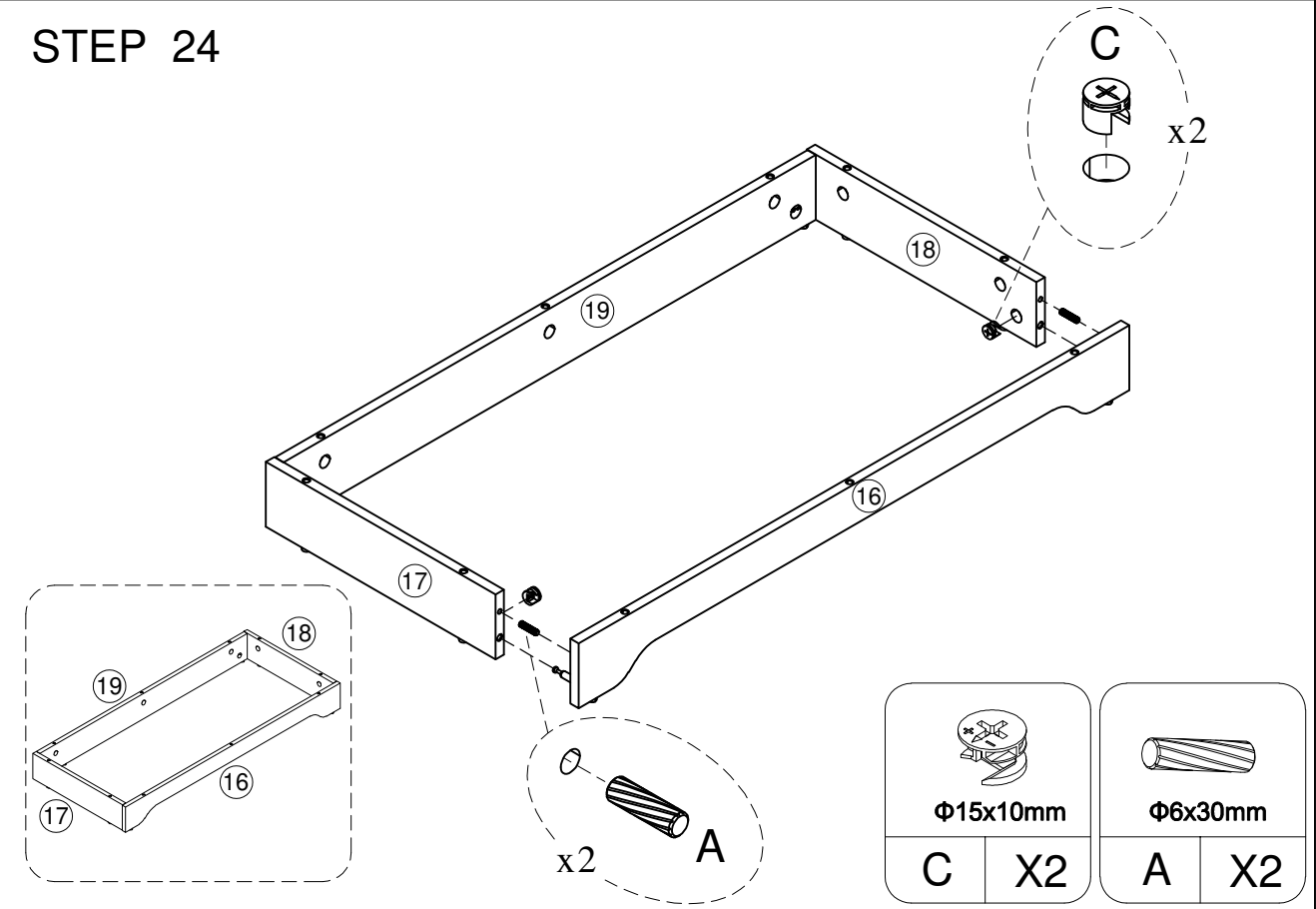


# INSTALLATION INSTRUCTION

## STEP 23

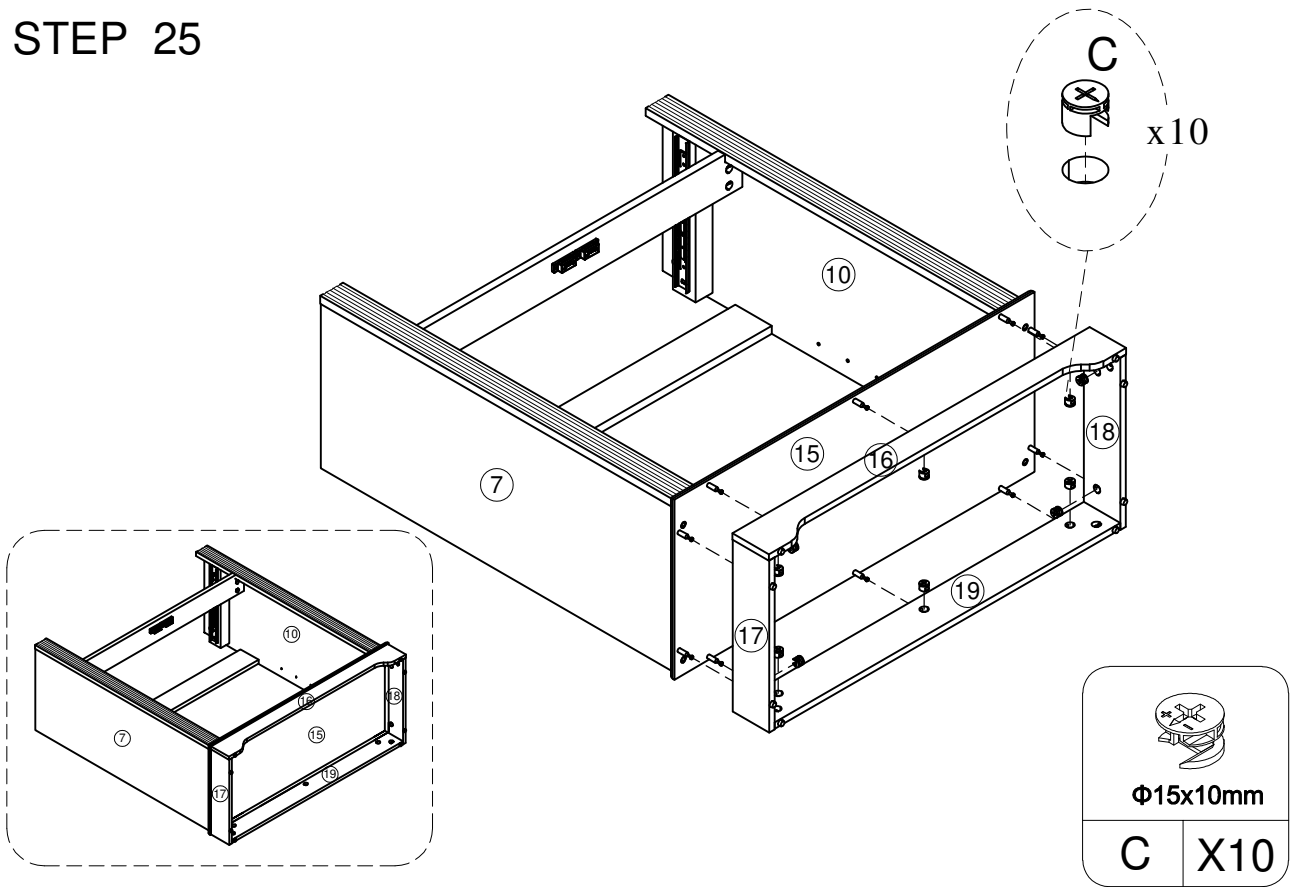


## STEP 24

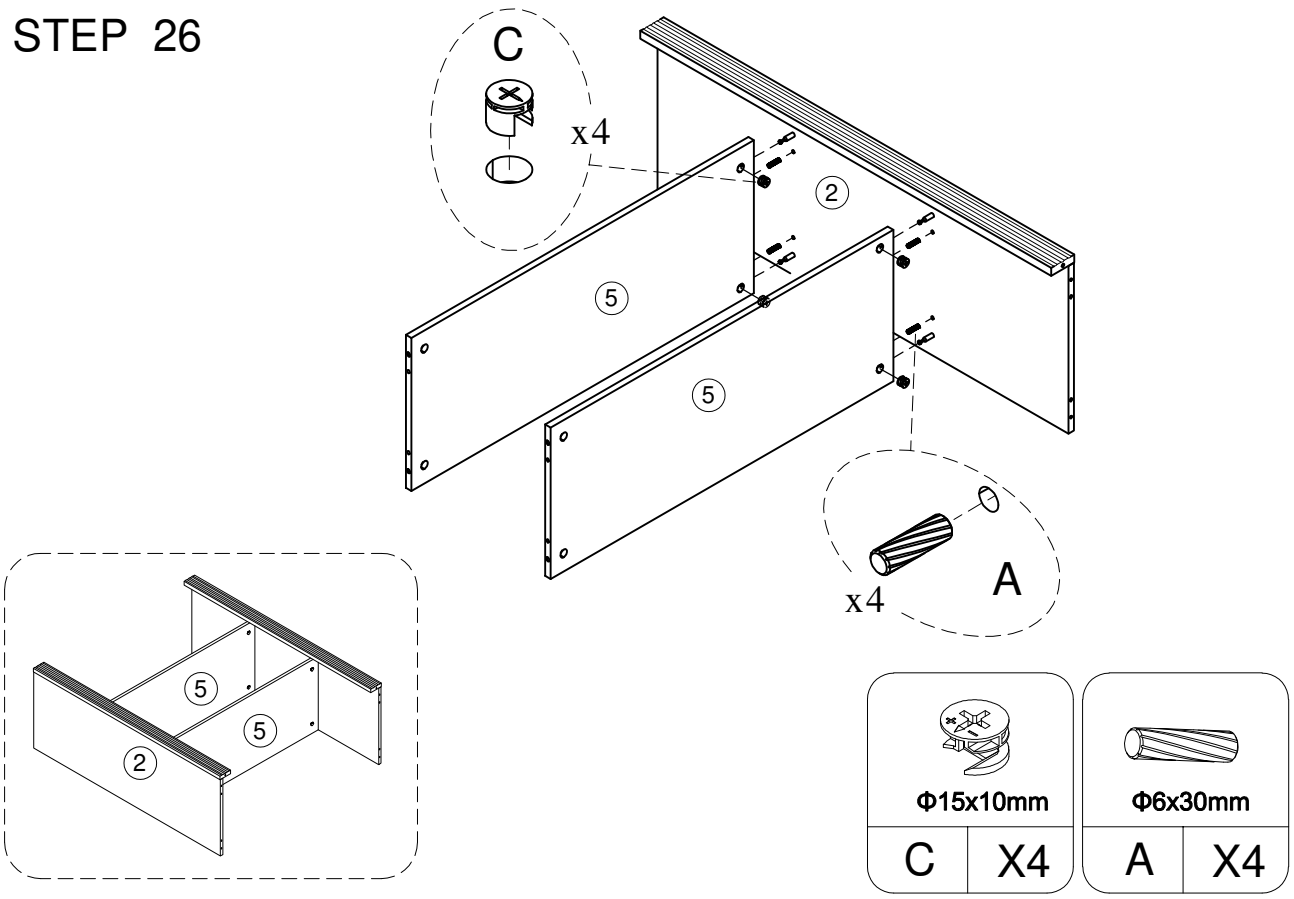


# INSTALLATION INSTRUCTION

## STEP 25

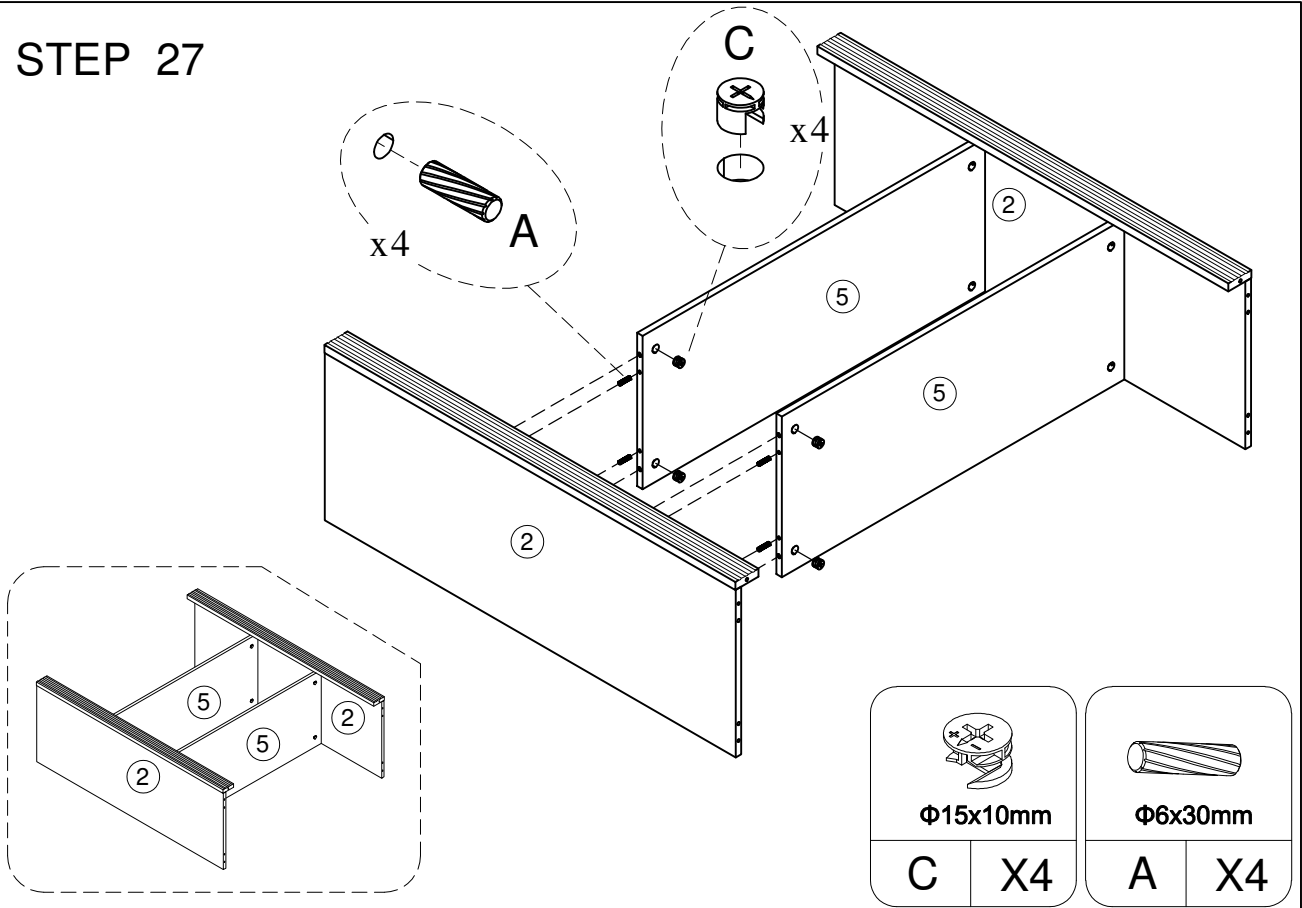


## STEP 26

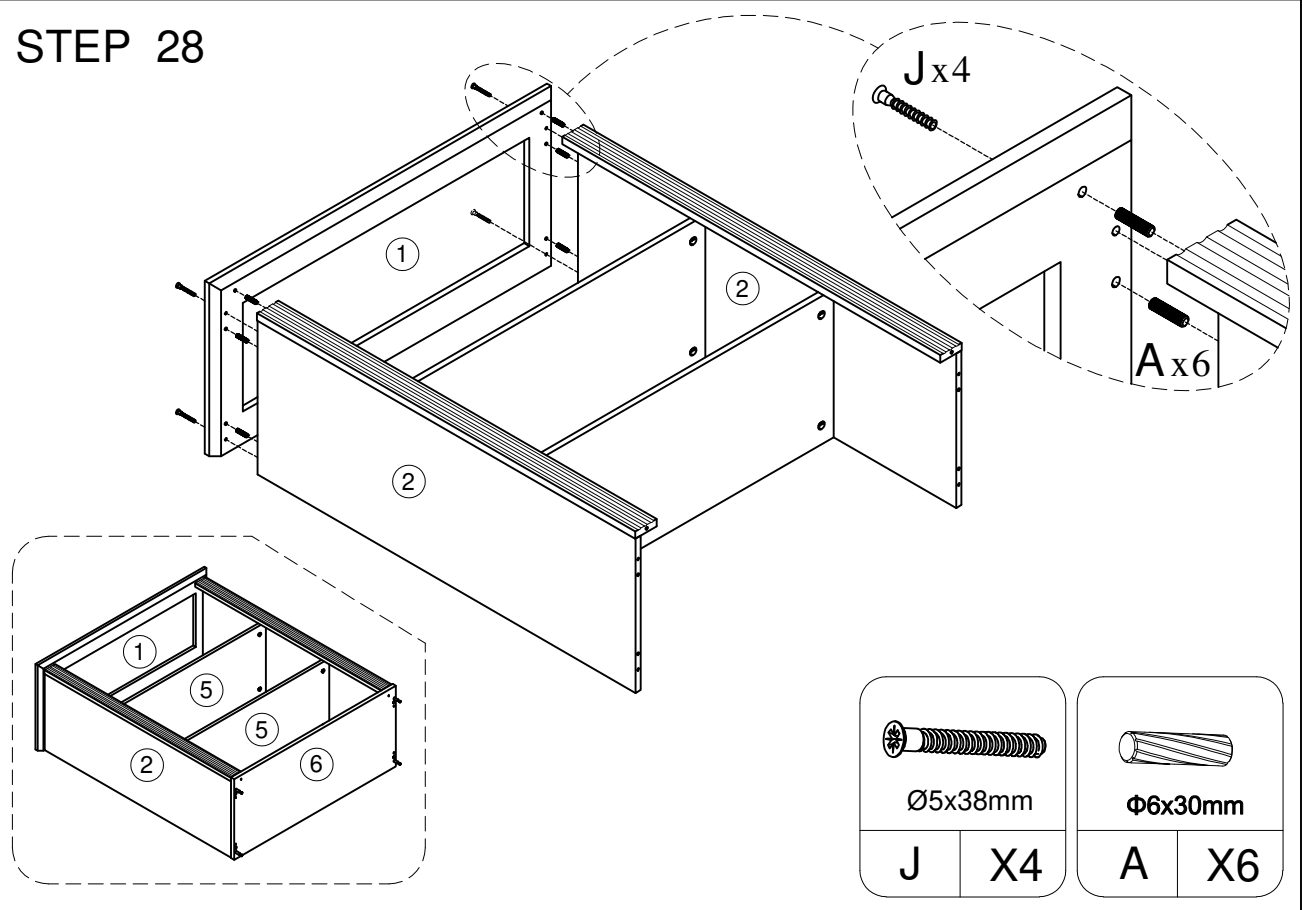


# INSTALLATION INSTRUCTION

## STEP 27

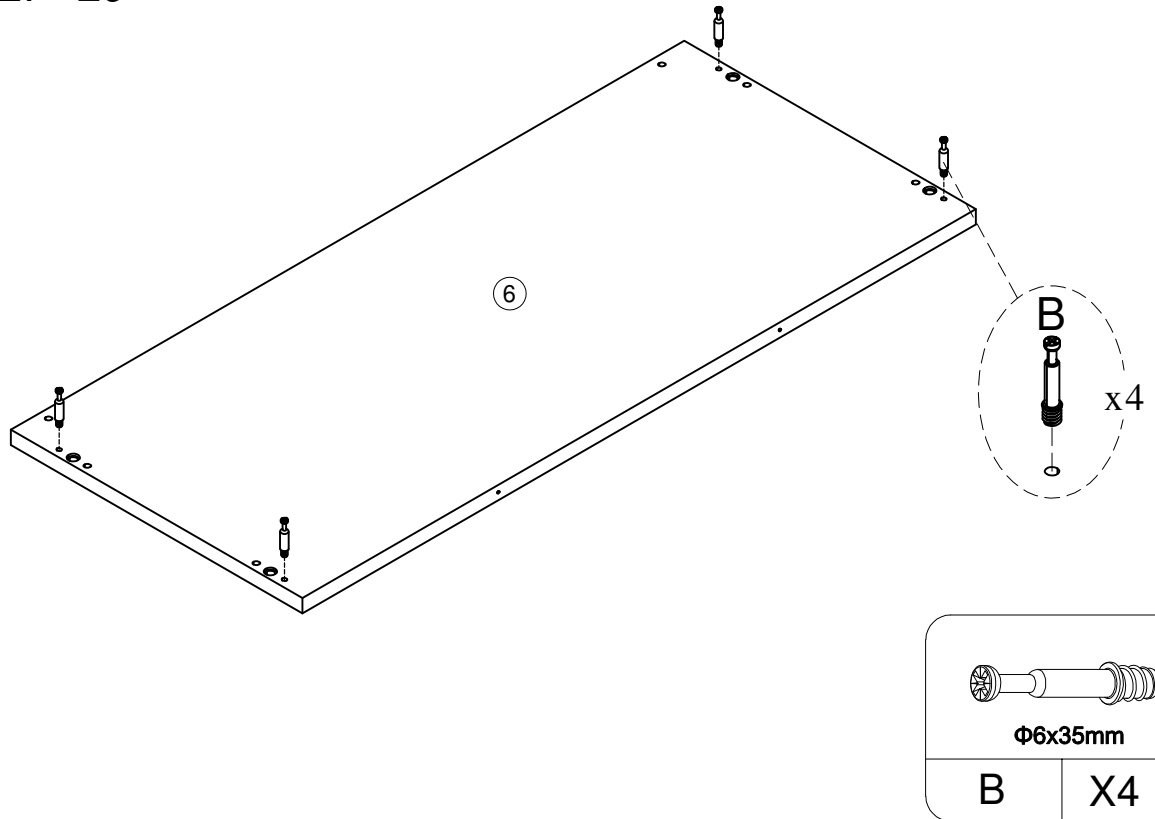


## STEP 28

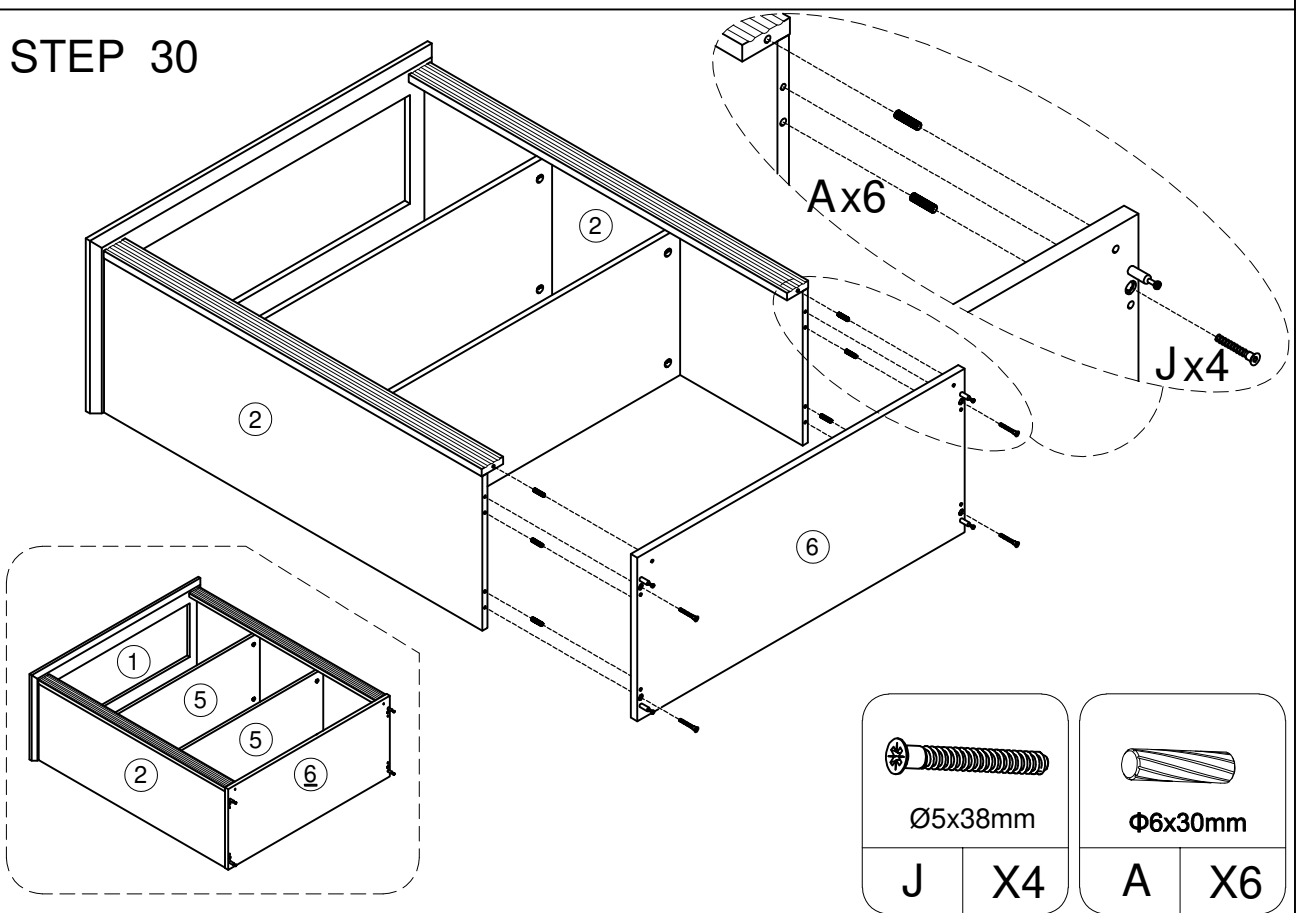


# INSTALLATION INSTRUCTION

## STEP 29

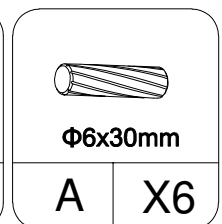
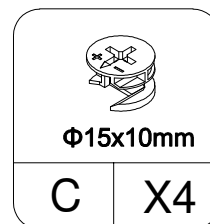
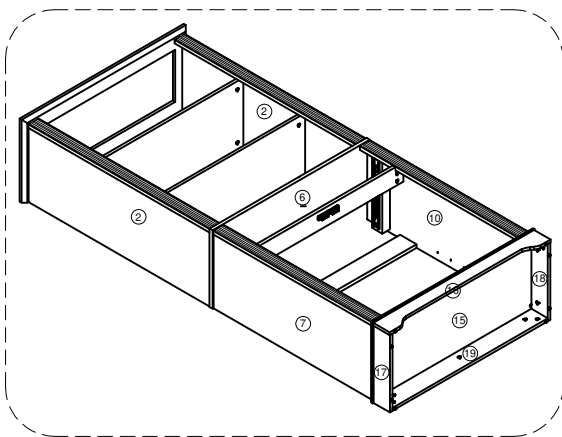
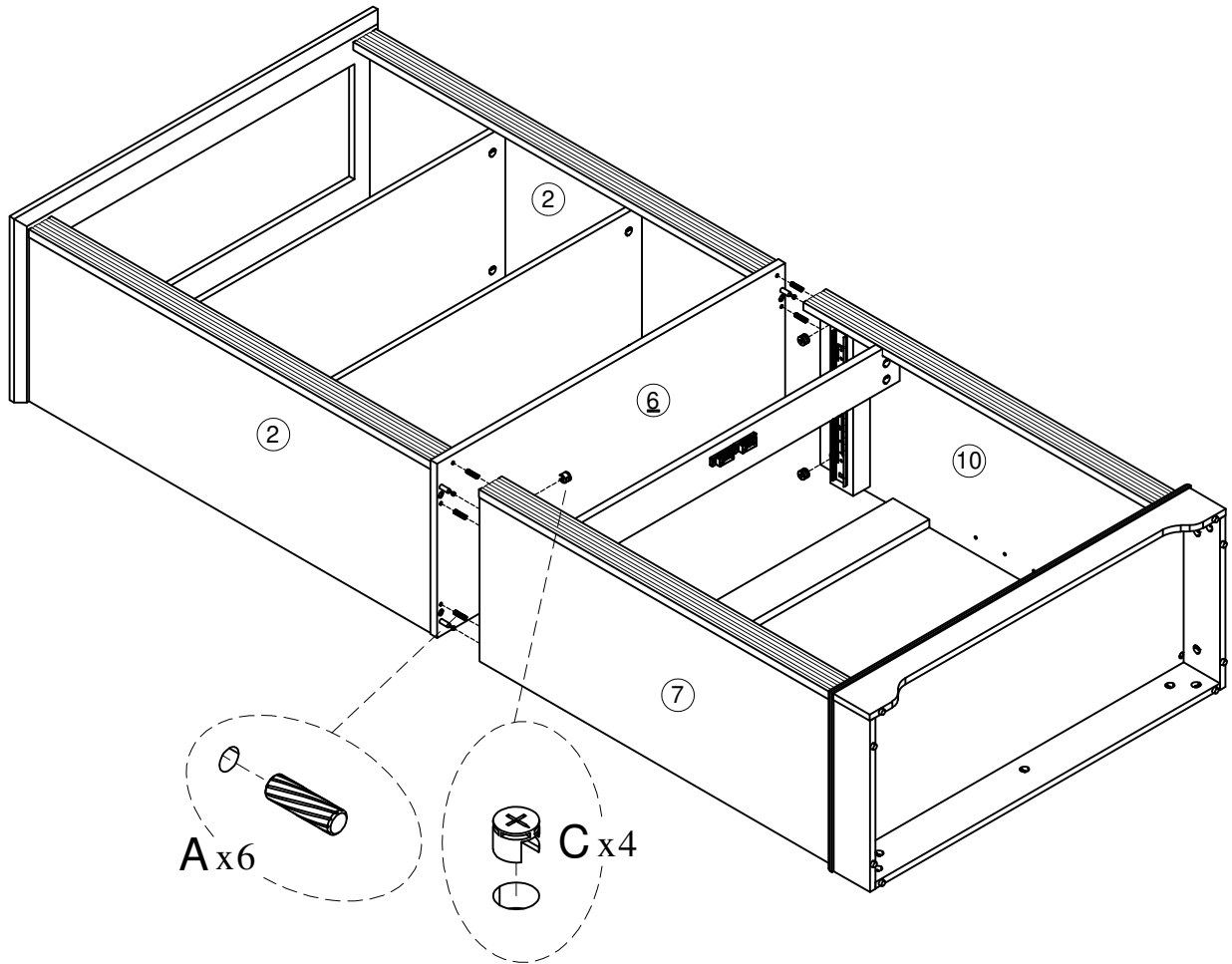


## STEP 30



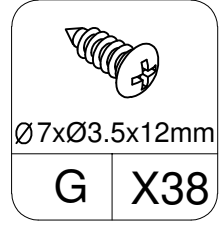
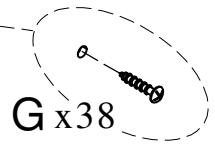
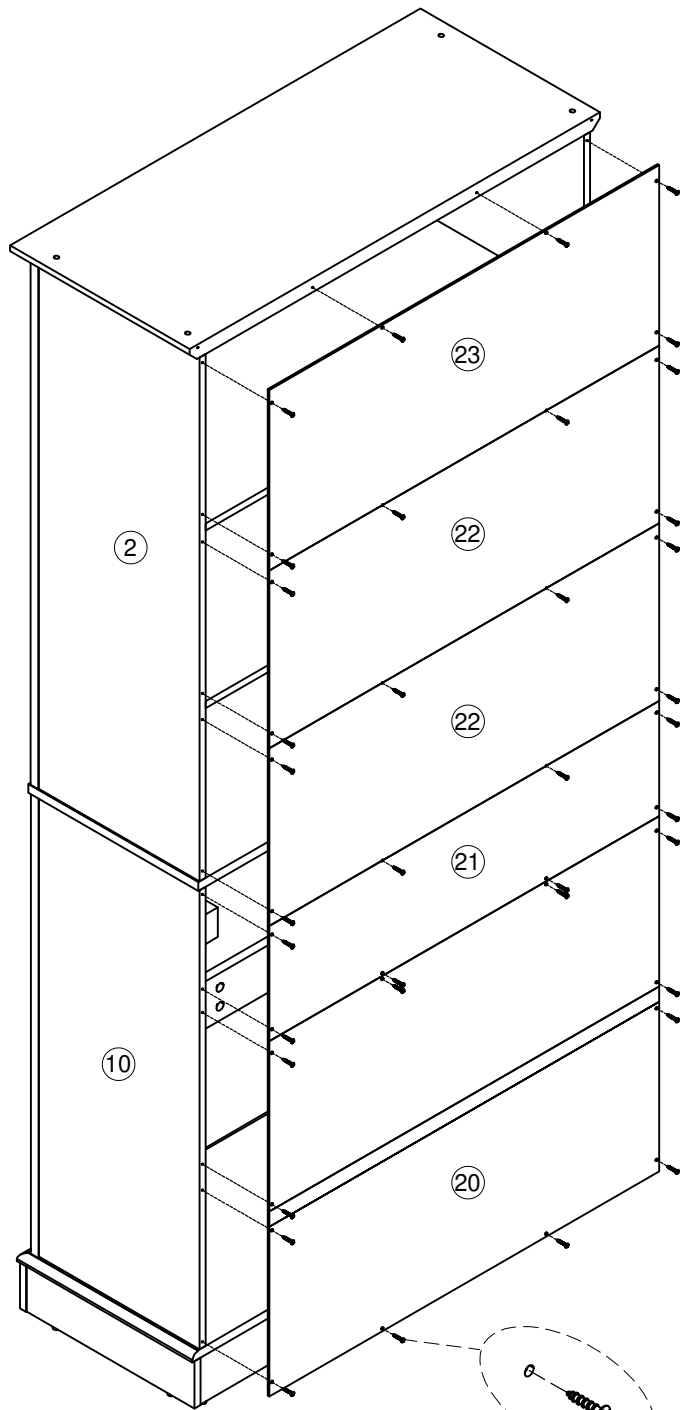
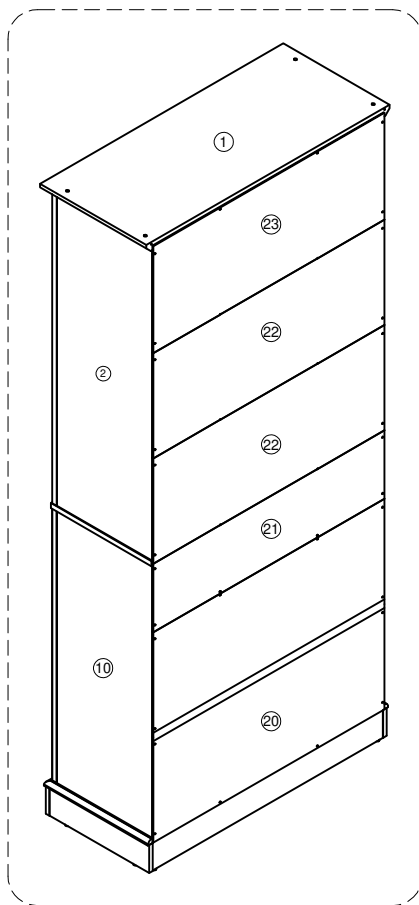
# INSTALLATION INSTRUCTION

## STEP 31



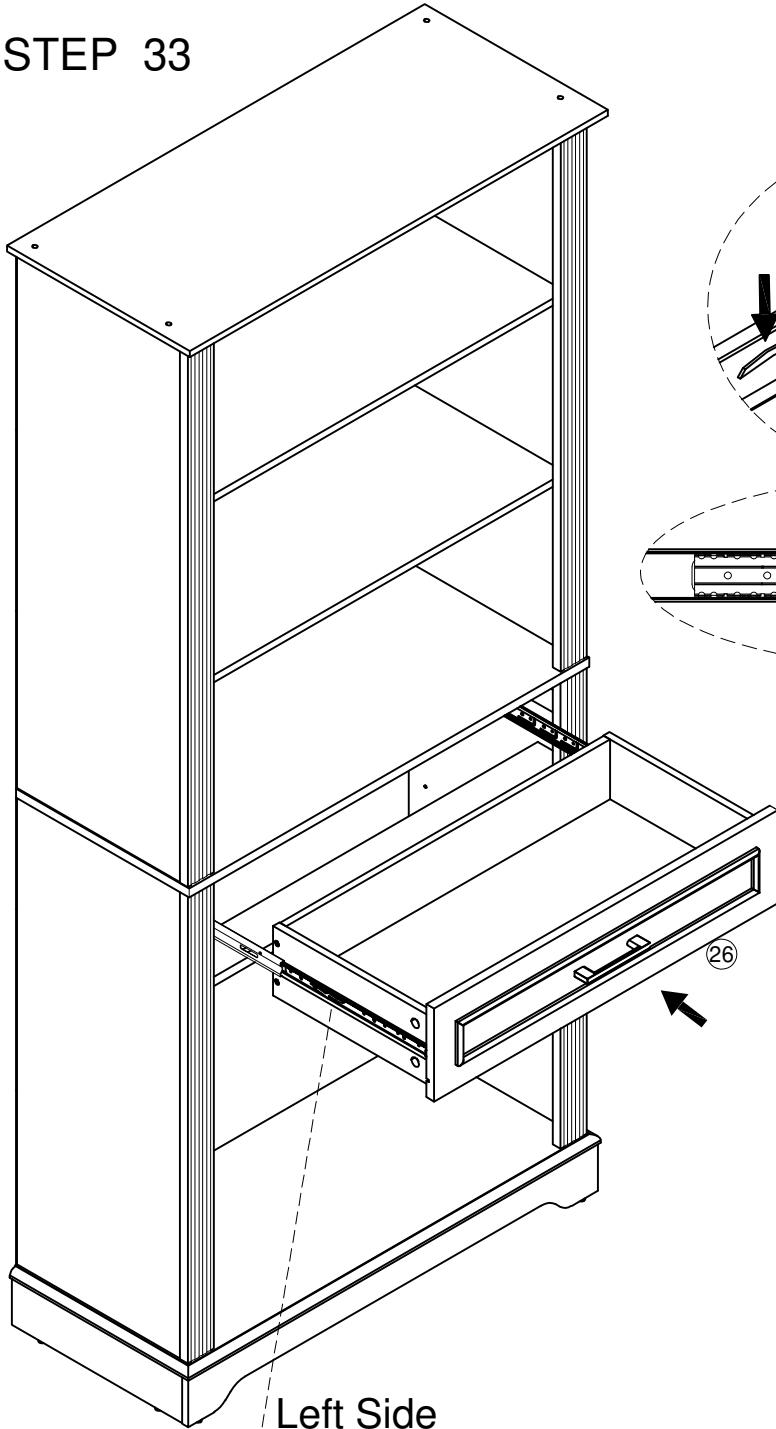
# INSTALLATION INSTRUCTION

## STEP 32

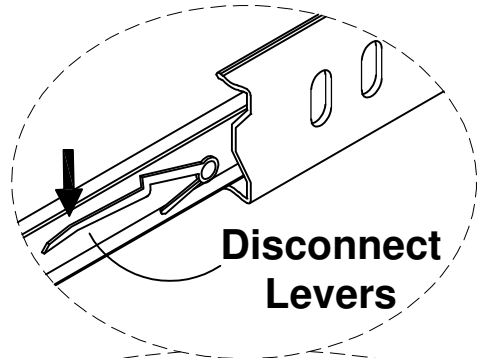


# INSTALLATION INSTRUCTION

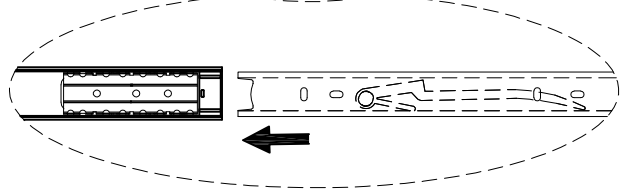
## STEP 33



Right Side

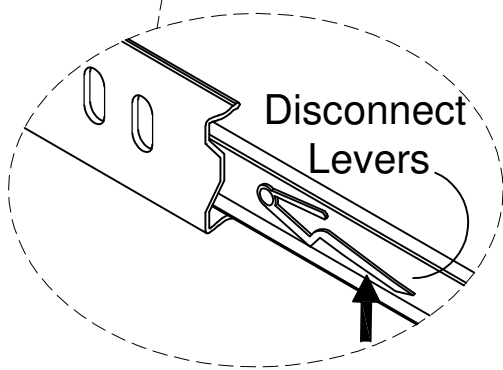


Disconnect  
Levers

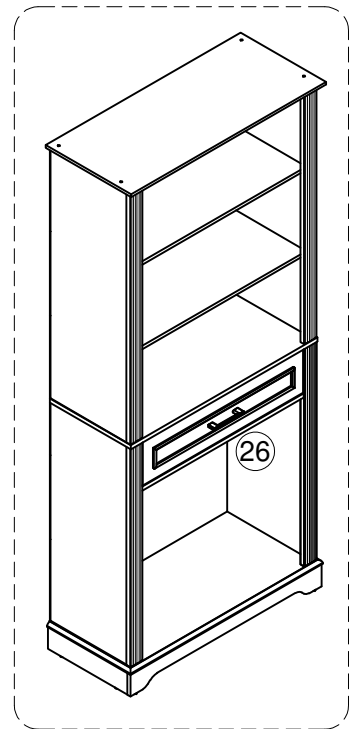


When installing the slide rail, it should be inserted at the same time, and then pushed together.

Left Side

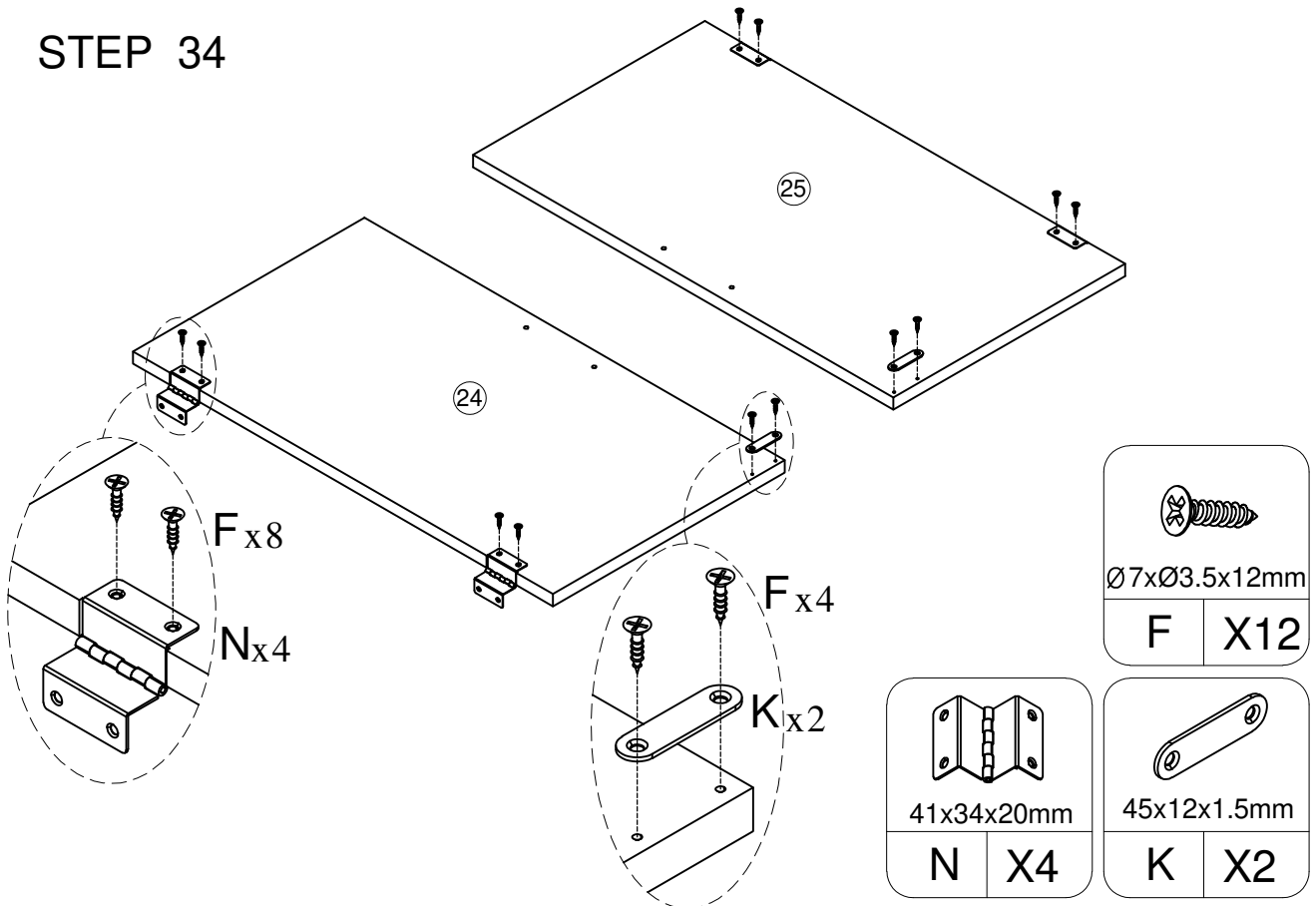


Disconnect  
Levers

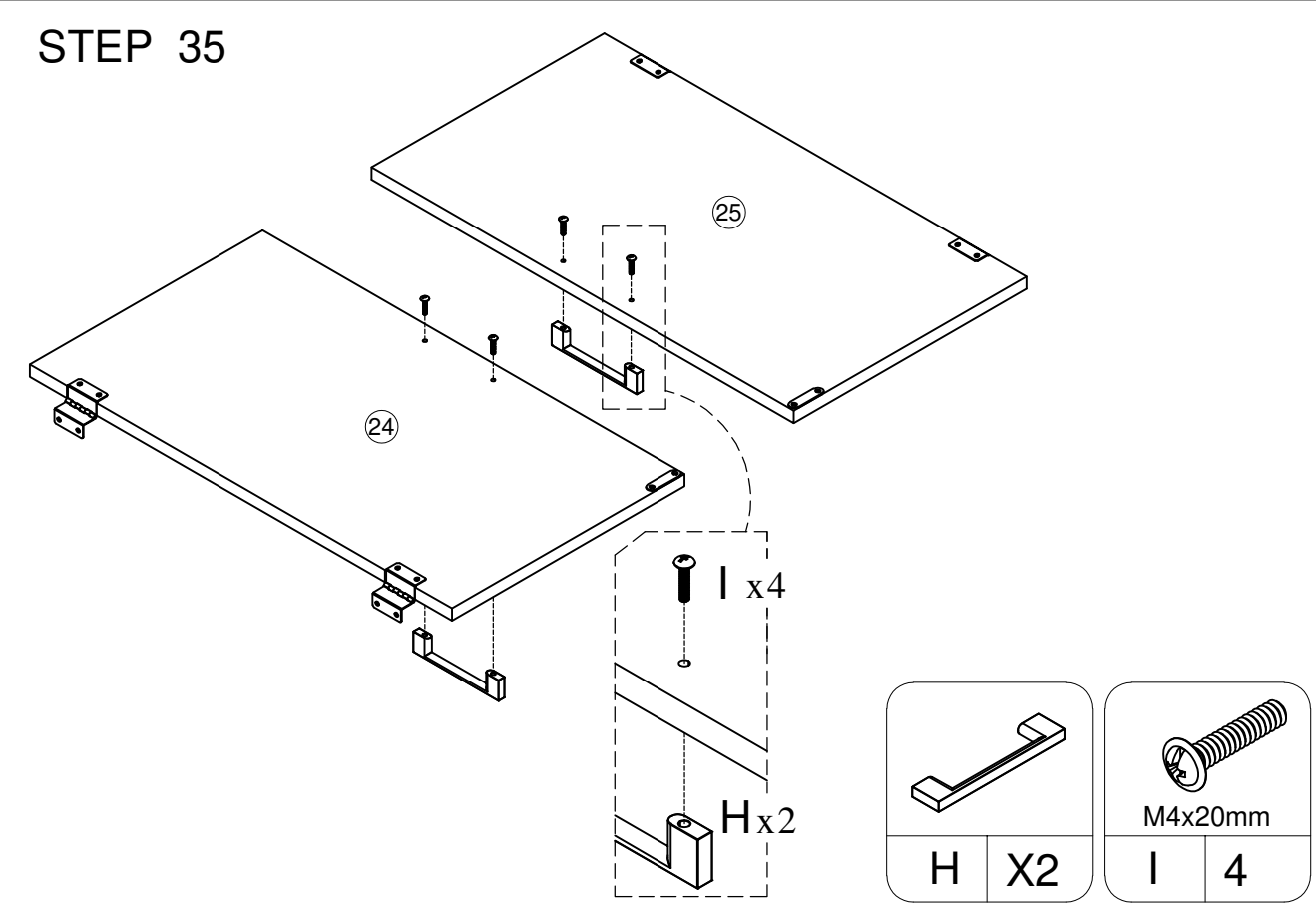


# INSTALLATION INSTRUCTION

## STEP 34


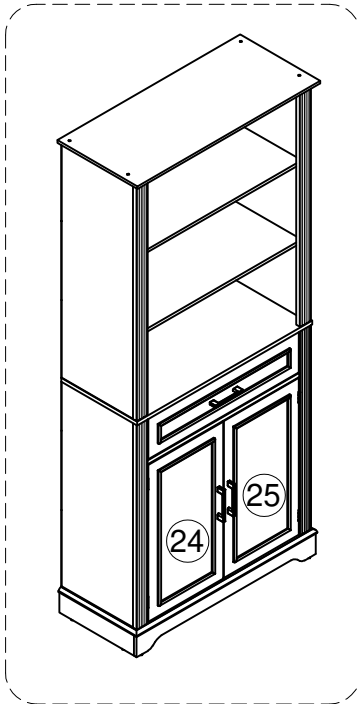
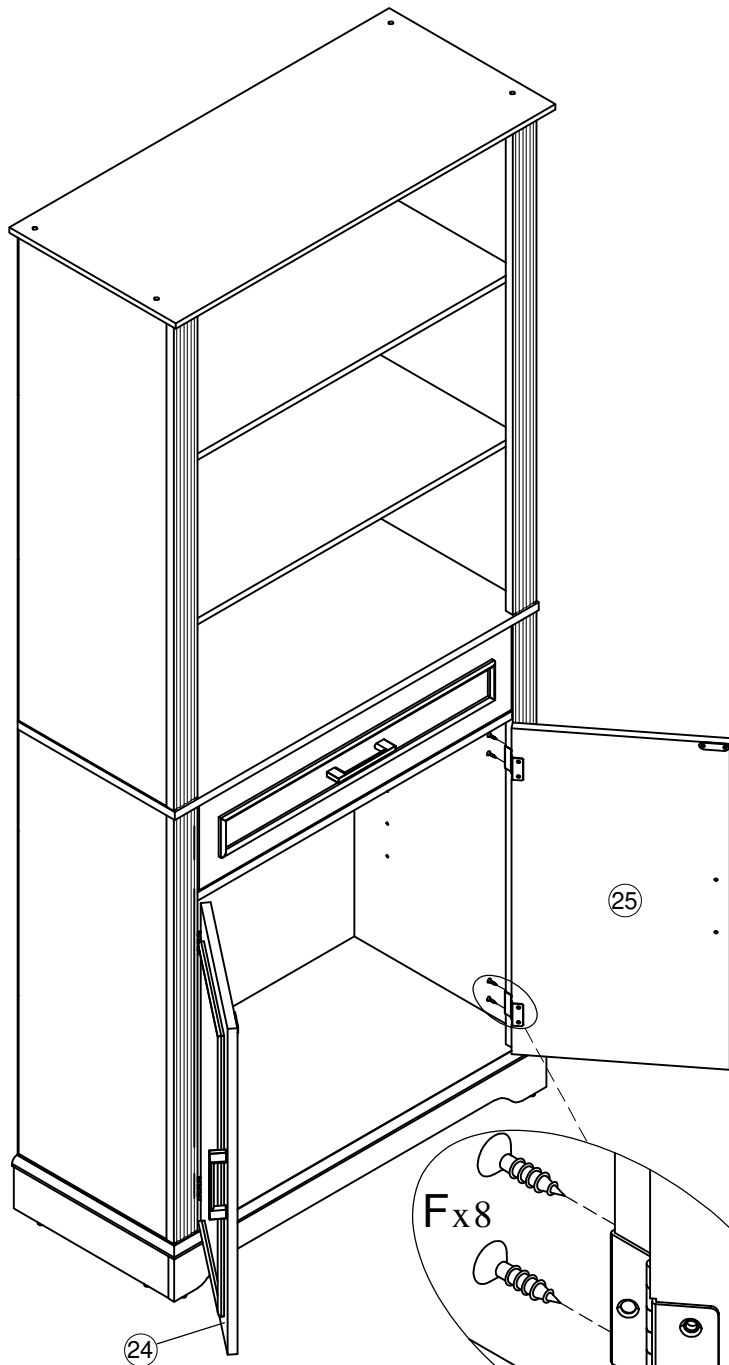


## STEP 35



# INSTALLATION INSTRUCTION

## STEP 36

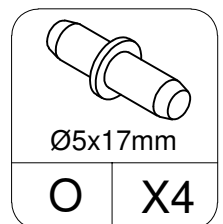
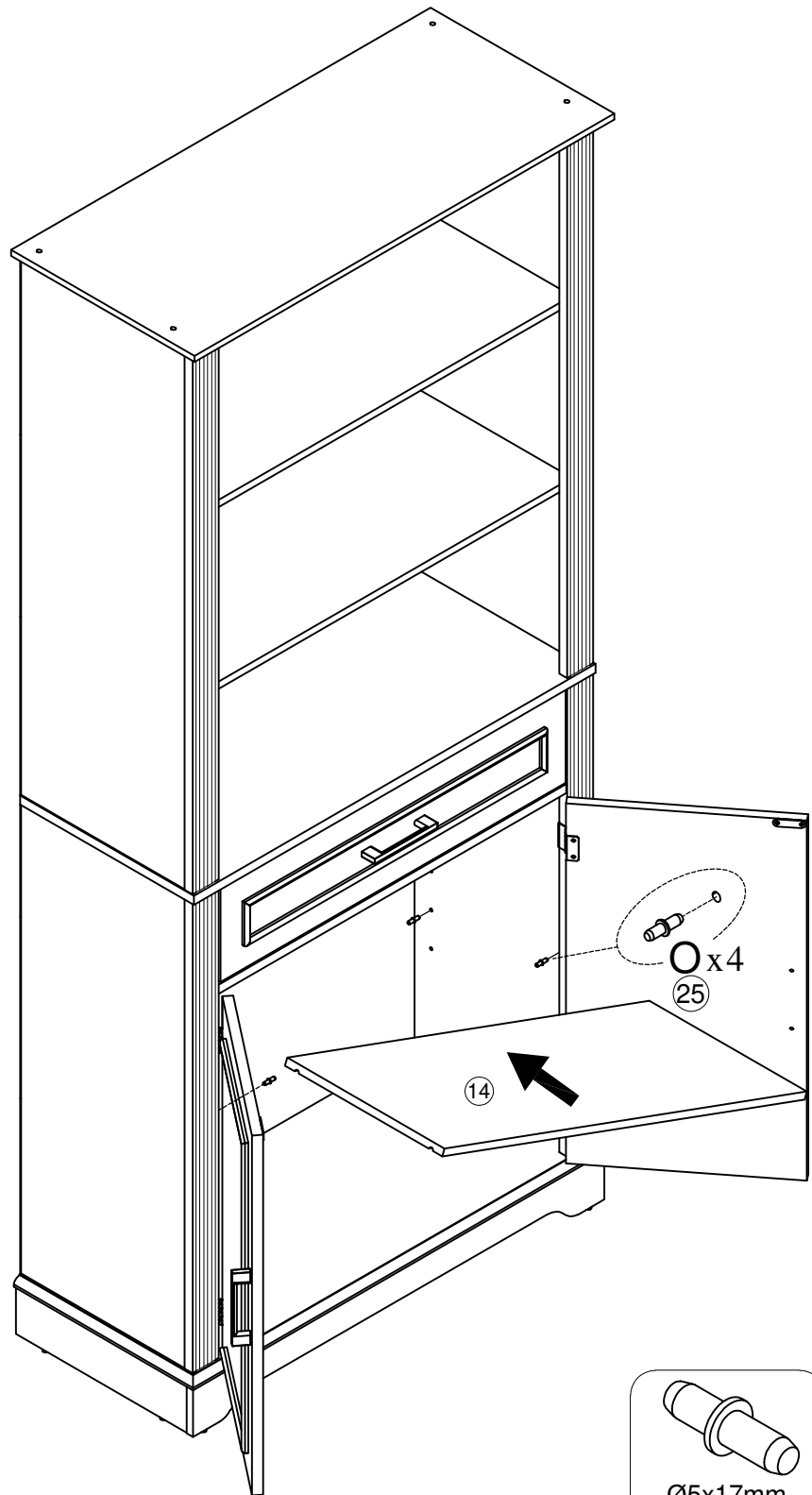
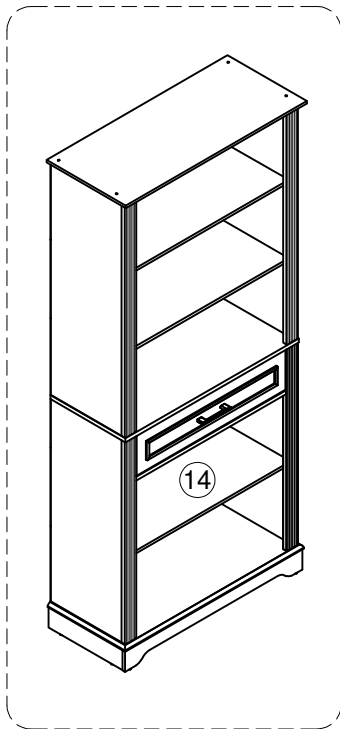


Ø7xØ3.5x12mm

F	X 8
---	-----

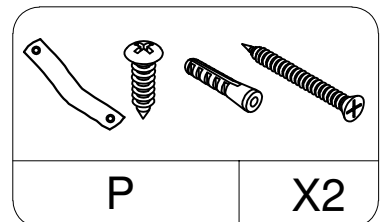
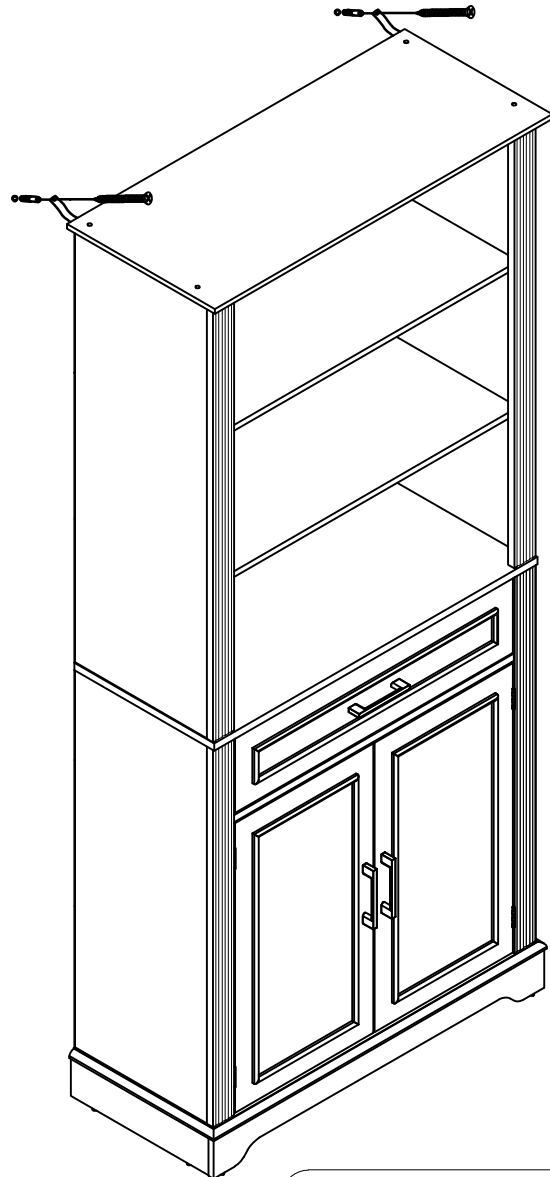
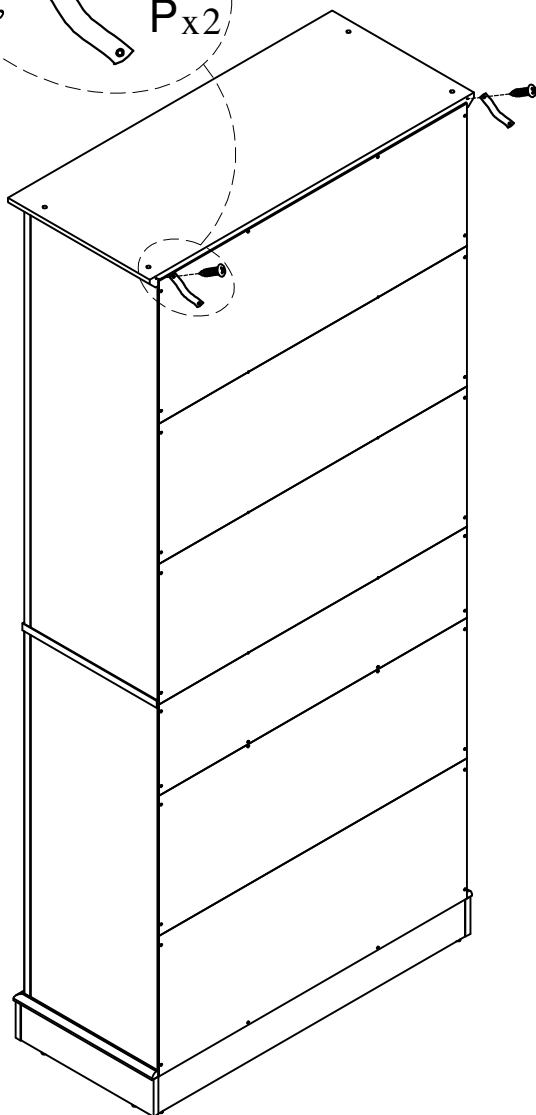
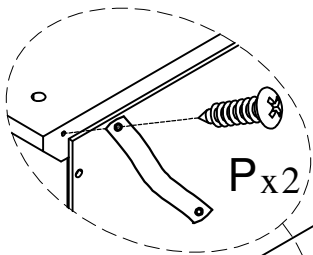
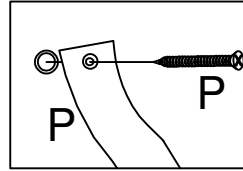
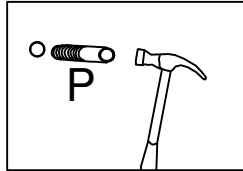
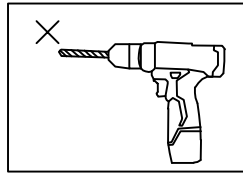
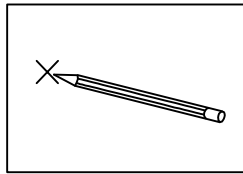
# INSTALLATION INSTRUCTION

## STEP 37



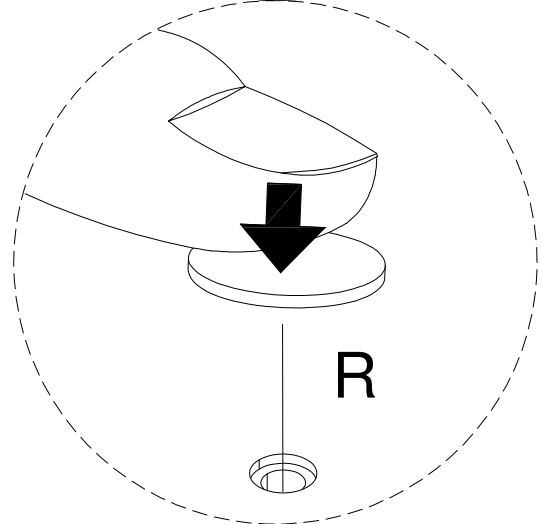
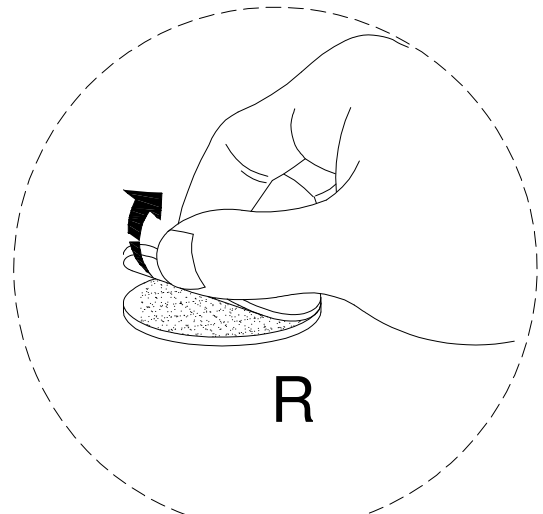
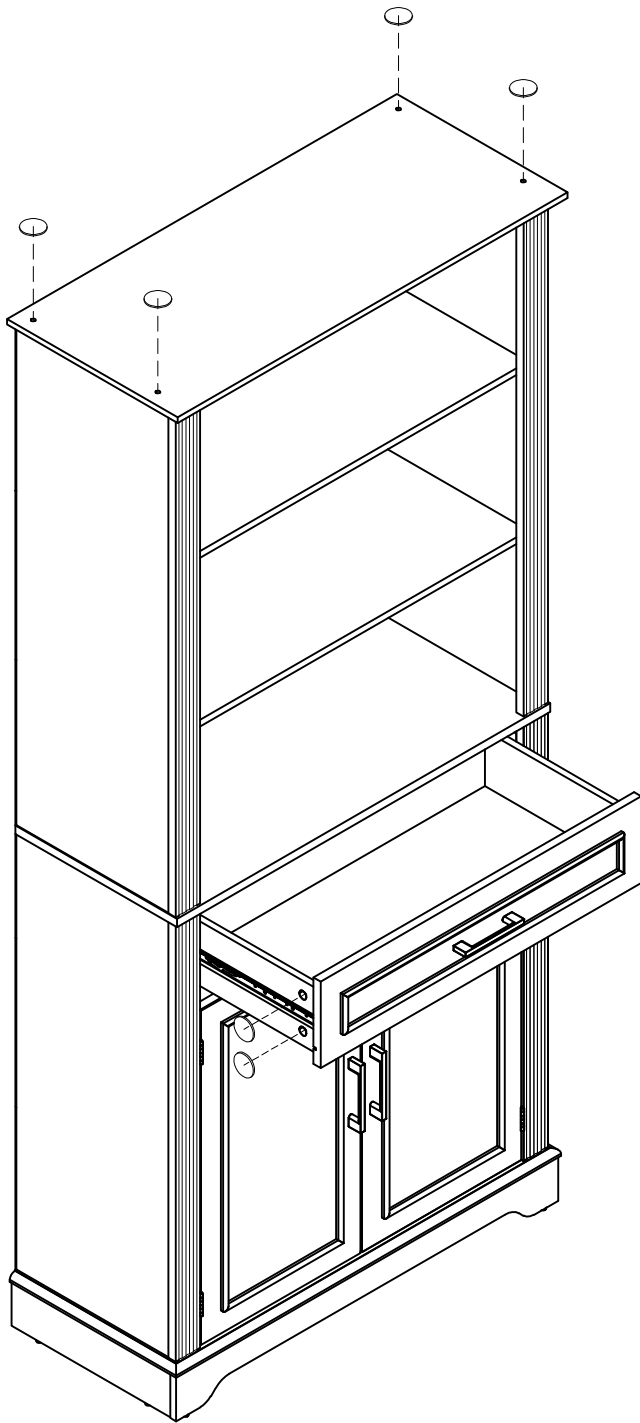
# INSTALLATION INSTRUCTION

## STEP 38

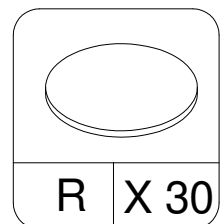


# INSTALLATION INSTRUCTION

## STEP 39



Cover the visible hole with a cap



# INSTALLATION INSTRUCTION

FINISH

