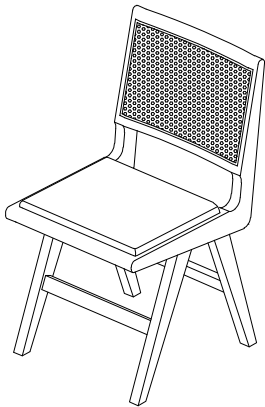


ASSEMBLY INSTRUCTIONS

SIDE CHAIR



+ Do Not Use Power Tools



+ Suggested Adults



- 1 Read instructions cover to cover.
- 2 Save all packaging until assembly is completed.

1 IMPORTANT SAFETY INFORMATION

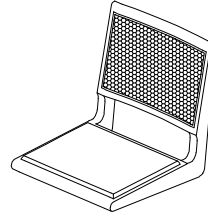
- Do not** assemble the product if the parts arrived damaged.
- Do not** assemble if Hardware parts are missing.

2 IMPORTANT ASSEMBLY INFORMATION

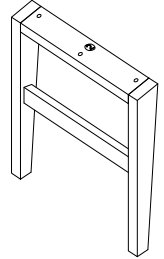
Assembly Step If loosening persists, please make sure to tighten all the bolts periodically, or use a thread locker adhesive.

+ Parts Included

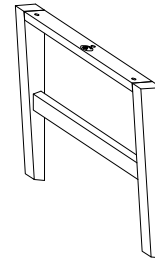
① Body (1 pc)



② Front leg frame (1 pc)

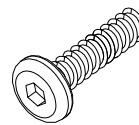


③ Back leg frame (1 pc)



+ Parts Included

A. Bolt
Ø8x65mm (6 pcs)



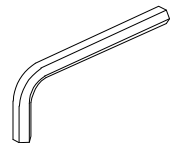
B. Spring Washer
Ø8xØ12mm (6 pcs)



C. Flat Washer
Ø8xØ19mm (6 pcs)



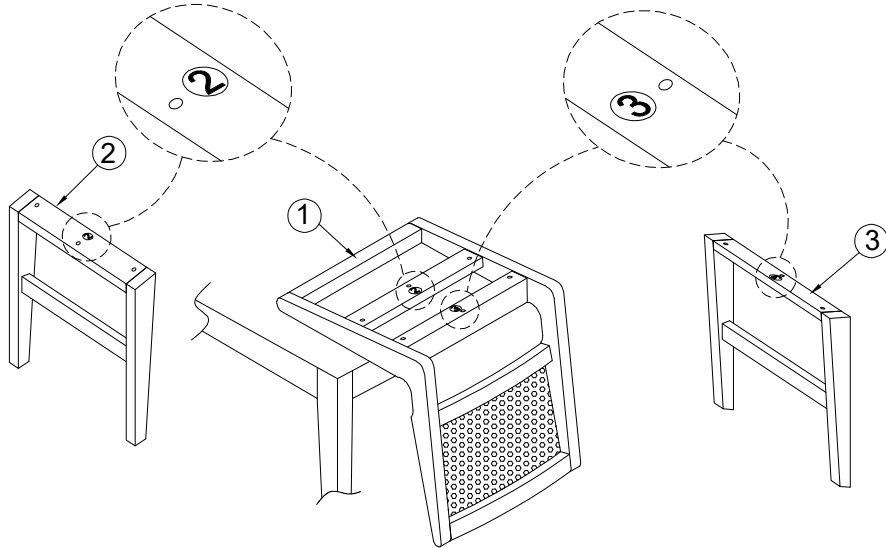
D. Allen Key (1 pc)



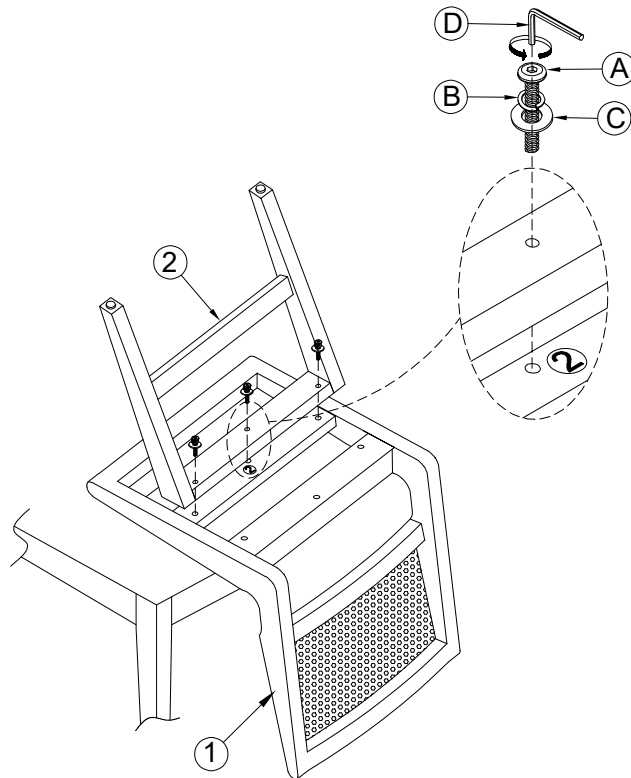
ASSEMBLY INSTRUCTIONS

SIDE CHAIR

1



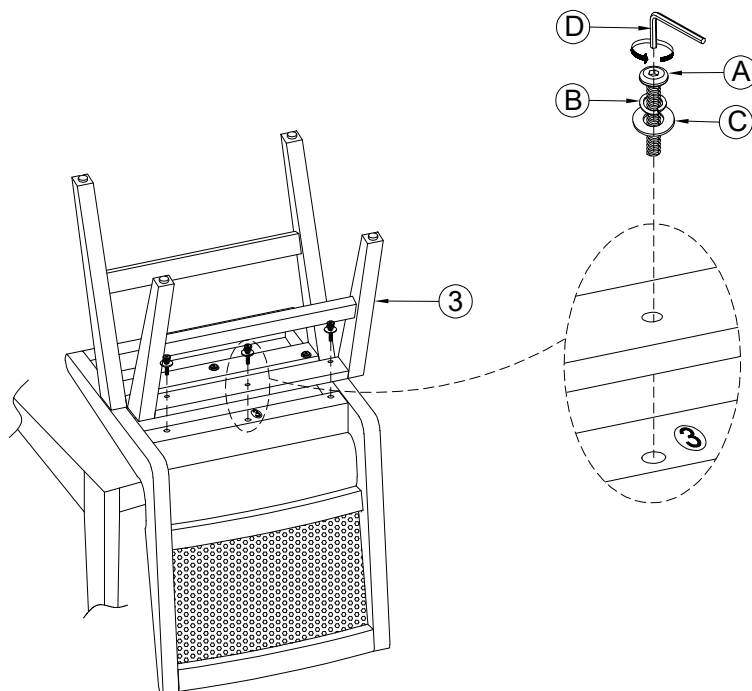
2



ASSEMBLY INSTRUCTIONS

SIDE CHAIR

3



4

