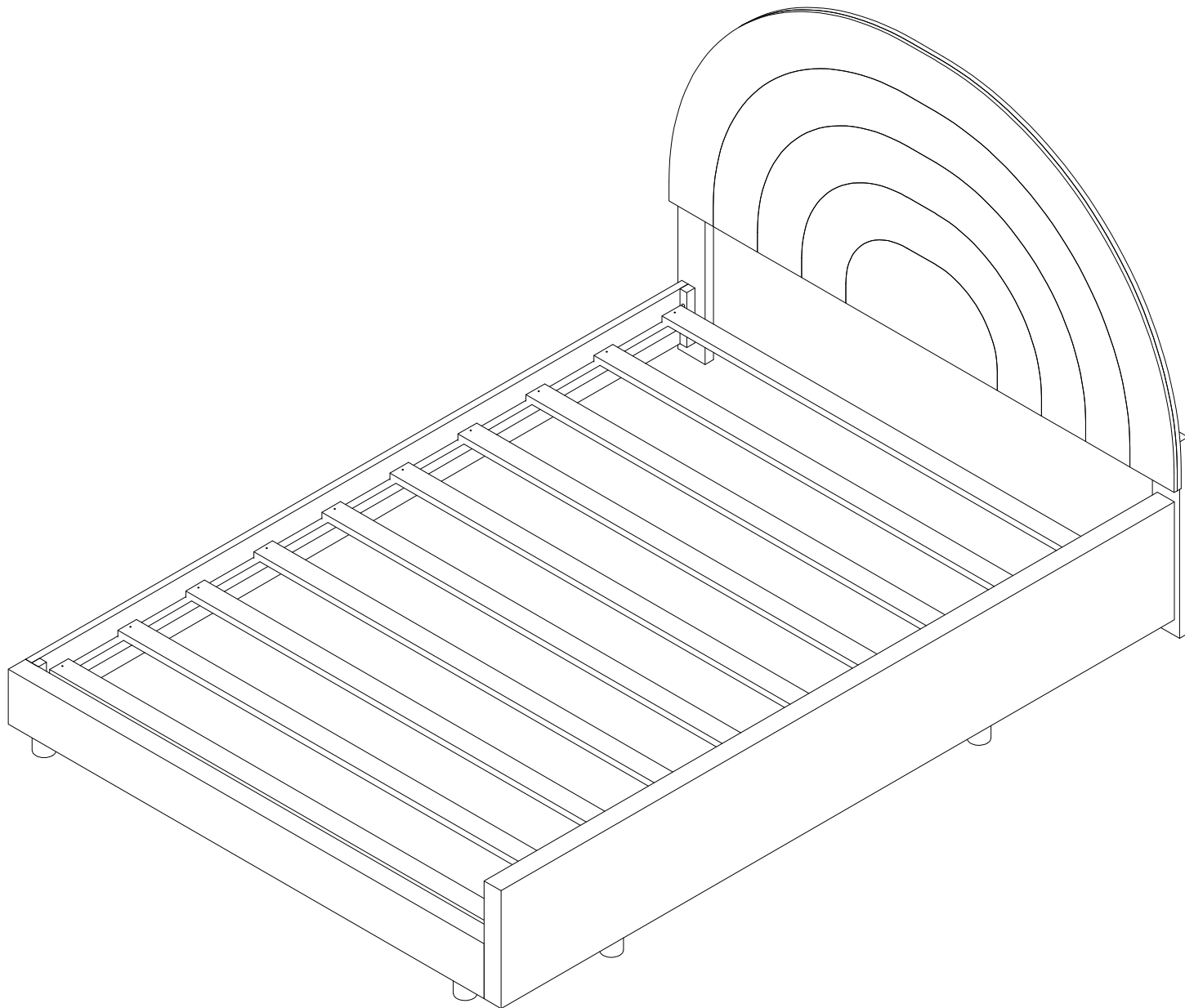
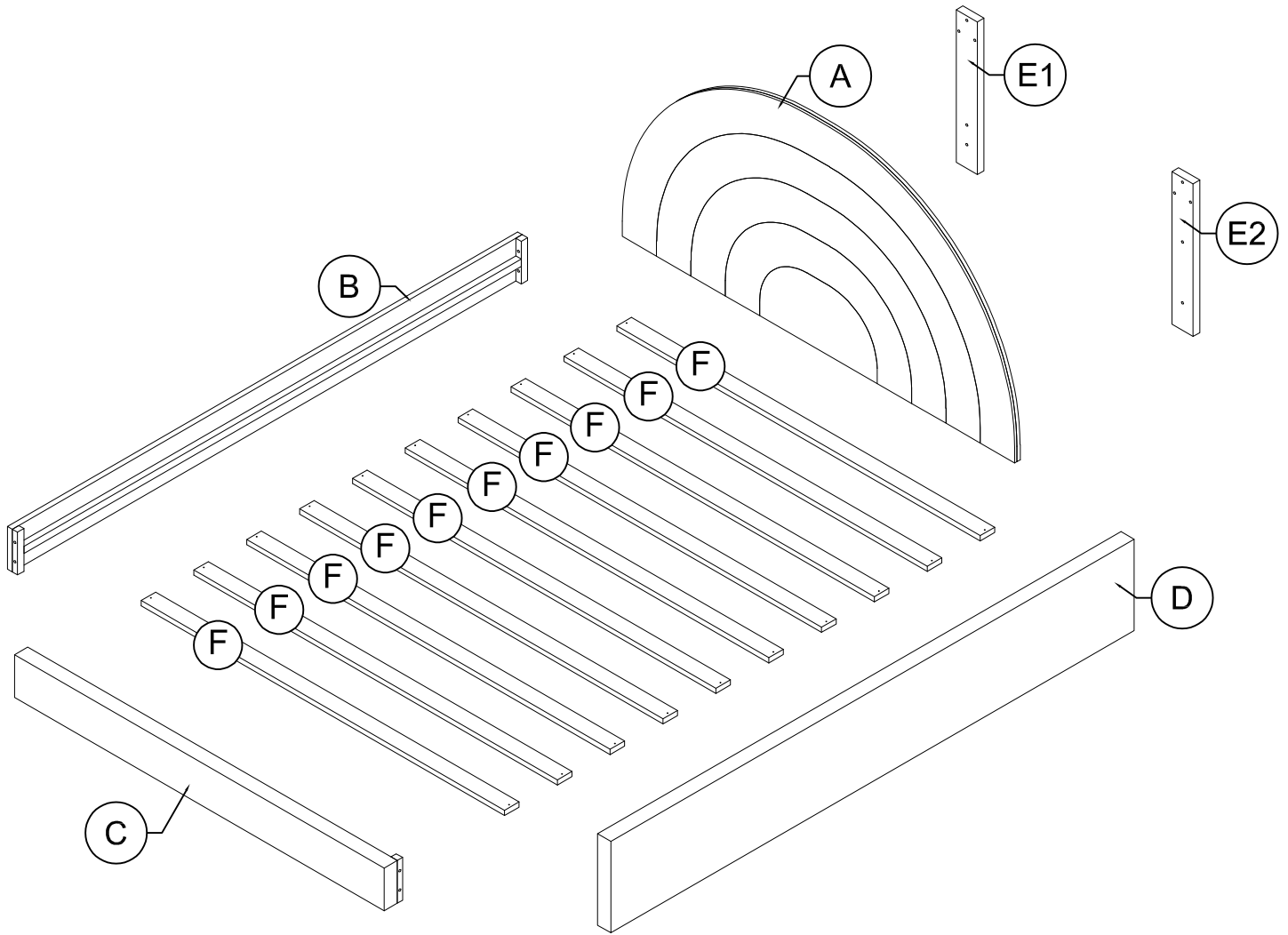


ASSEMBLY INSTRUCTION

SKU CODE: (WF315654-WF315655)

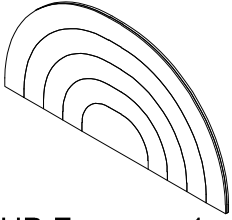


ASSEMBLY INSTRUCTION



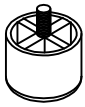


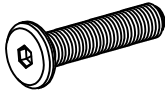
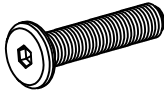
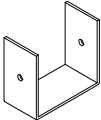

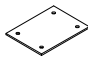
Part List (WF315654)

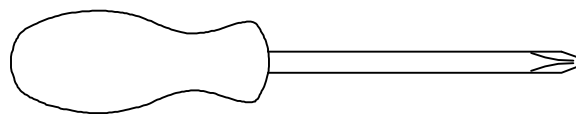
A



HB Frames - 1pc

Hardware List (WF315655)

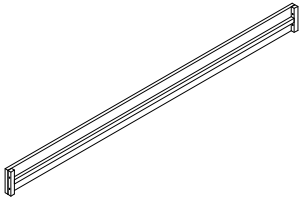
| | | |
|---|---|---|
| <p>1</p>  <p>Plastic Feet(Ø50x40) 4pcs</p> | <p>2</p>  <p>Allen Key 1pc</p> | <p>3</p>  <p>M4 x 30 mm Wood Screws 20pcs</p> |
| <p>4</p>  <p>1/4" x 50mm Hex-Head bolts 8pcs</p> | <p>5</p>  <p>1/4" x 40mm Hex-Head bolts 6pcs</p> | <p>6</p>  <p>Steel Brackets /Supports en Acier 1pc</p> |
| <p>7</p>  <p>M4 x 20 mm Wood Screws 6pcs</p> | <p>8</p>  <p>Steel Brackets /Supports en Acier 1pc</p> | |



Assembly Tools Required (Not Included)

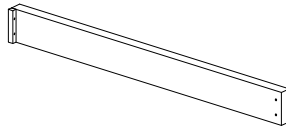
Part List (WF315655)

B



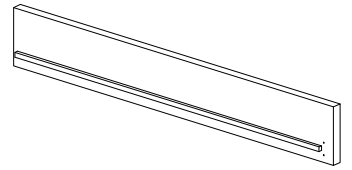
Side Rails - 1pc

C



FB Frames - 1pc

D



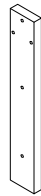
Side Rails - 1pc

E1



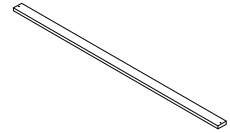
Leg - 1pc

E2



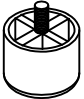
Leg - 1pc

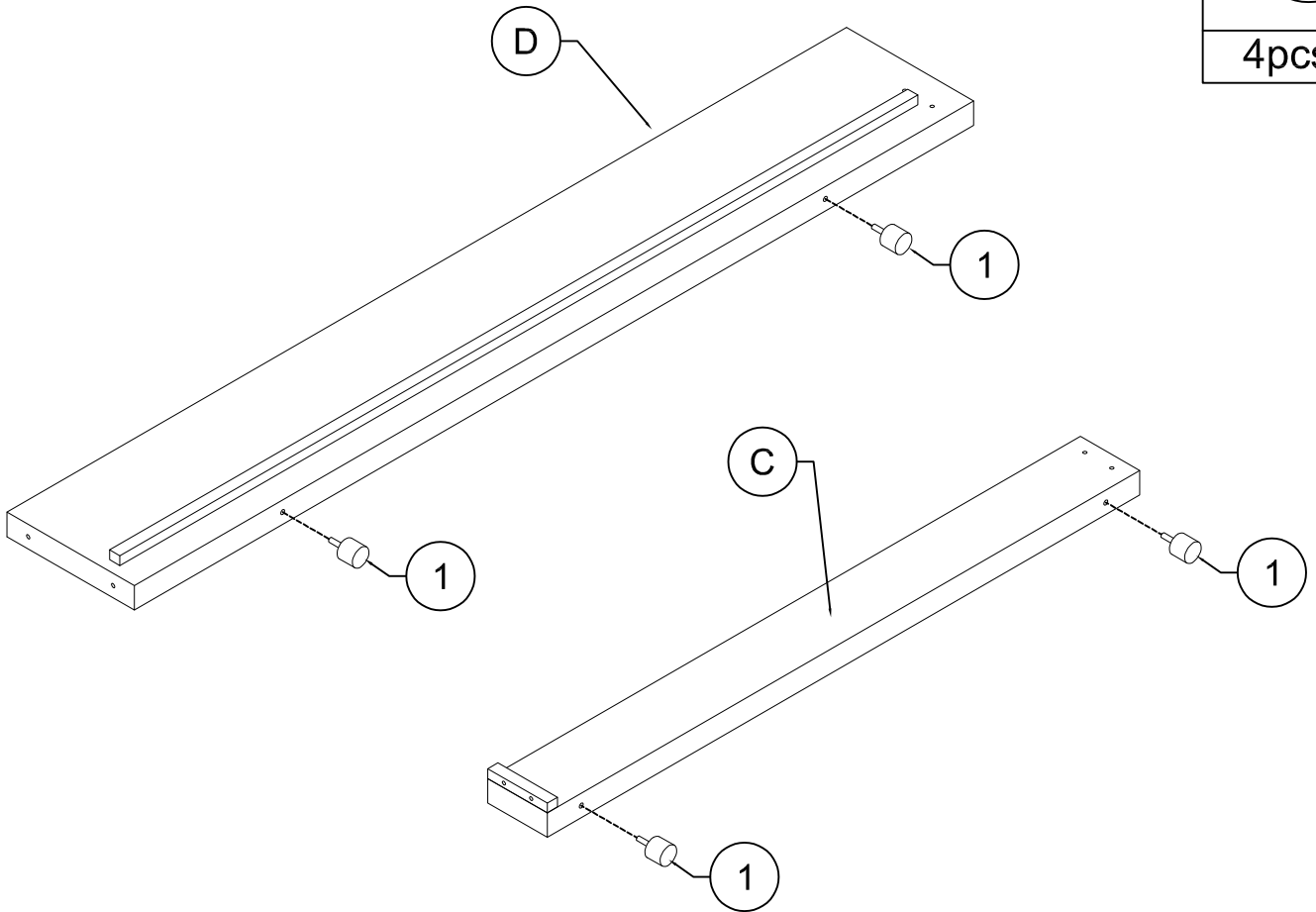
F




Slats - 10pcs

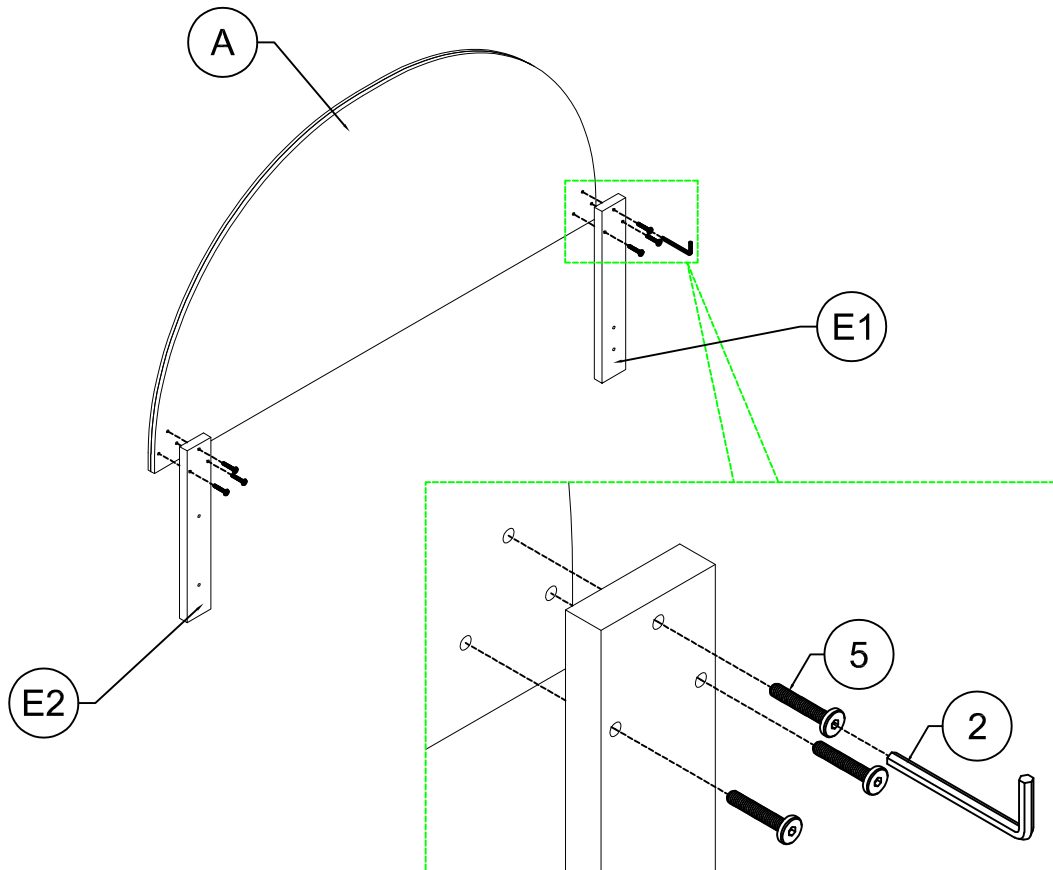
STEP 1: Following below illustration:

| | |
|------|--|
| 1 |  |
| 4pcs | |



STEP 2: Following below illustration:

| | |
|------|---|
| 5 |  |
| 6pcs | |

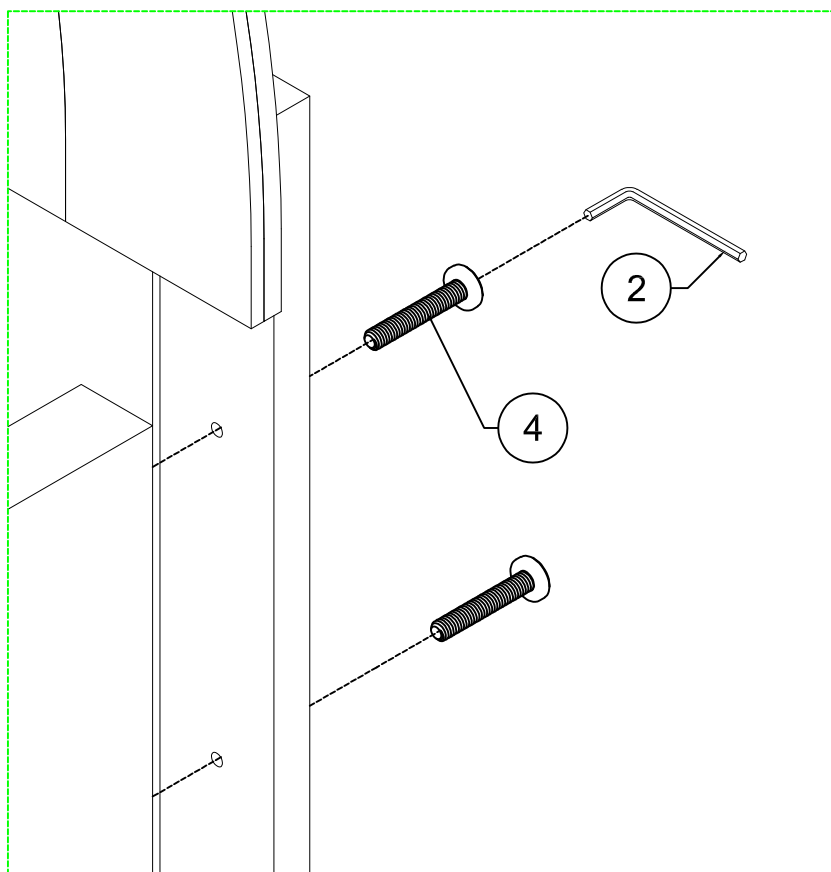
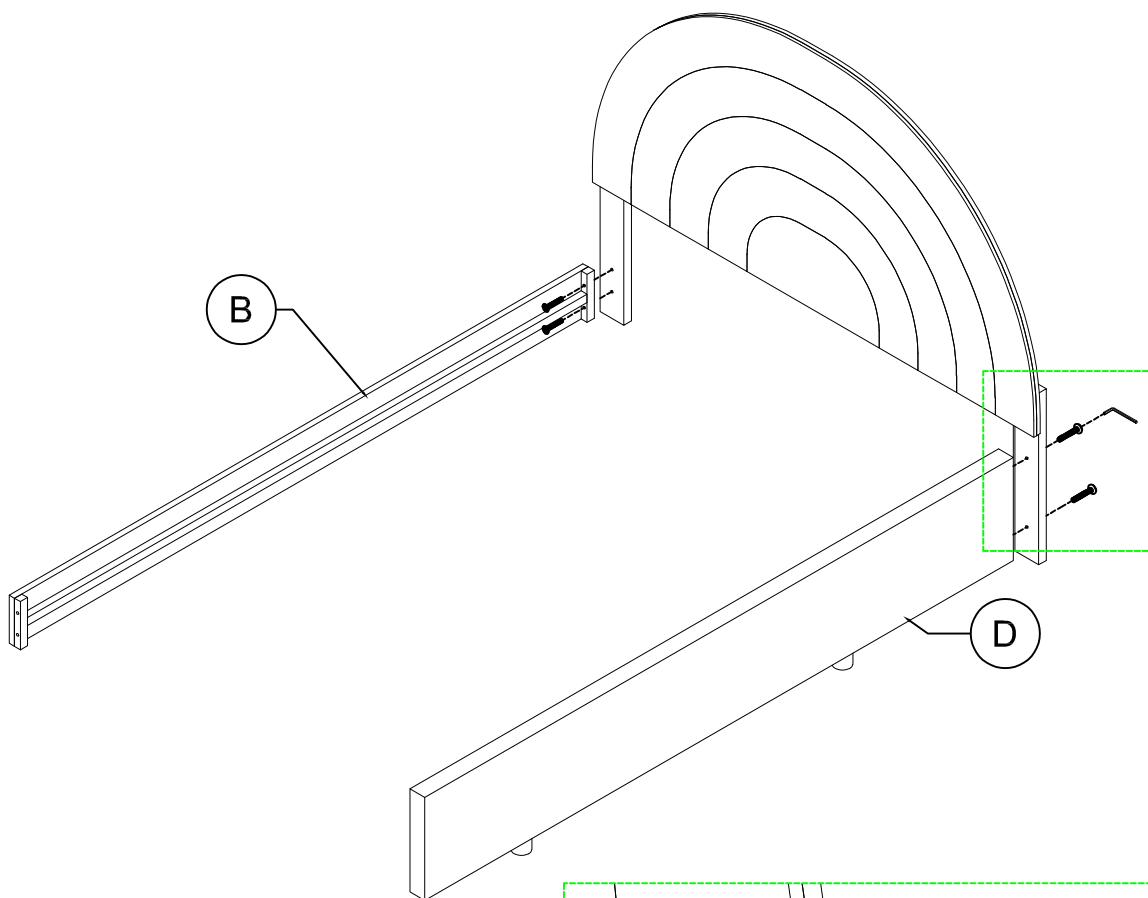


STEP 3: Following below illustration:

4

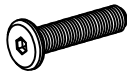


4pcs

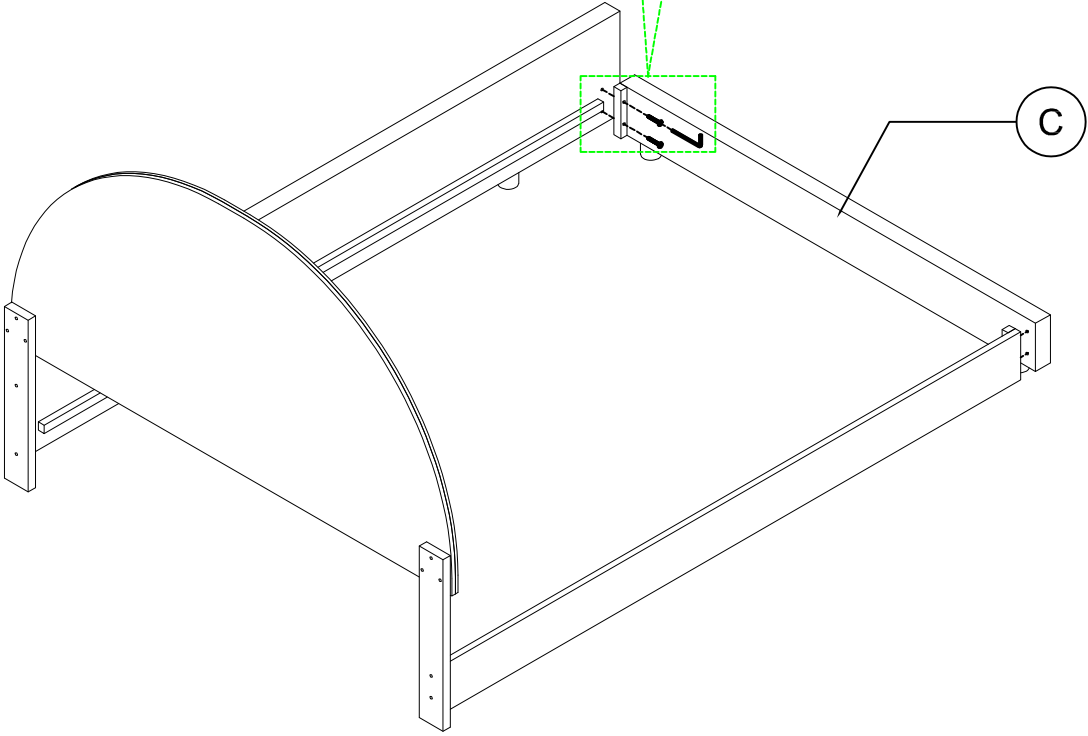
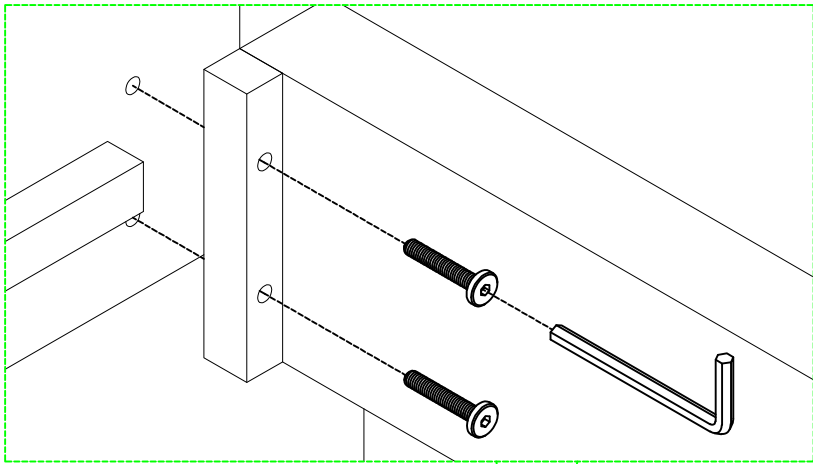


STEP 4: Following below illustration:

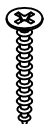
4

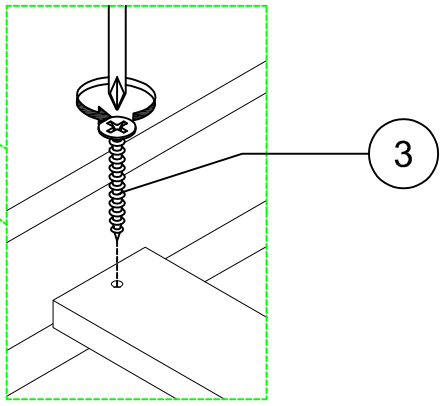
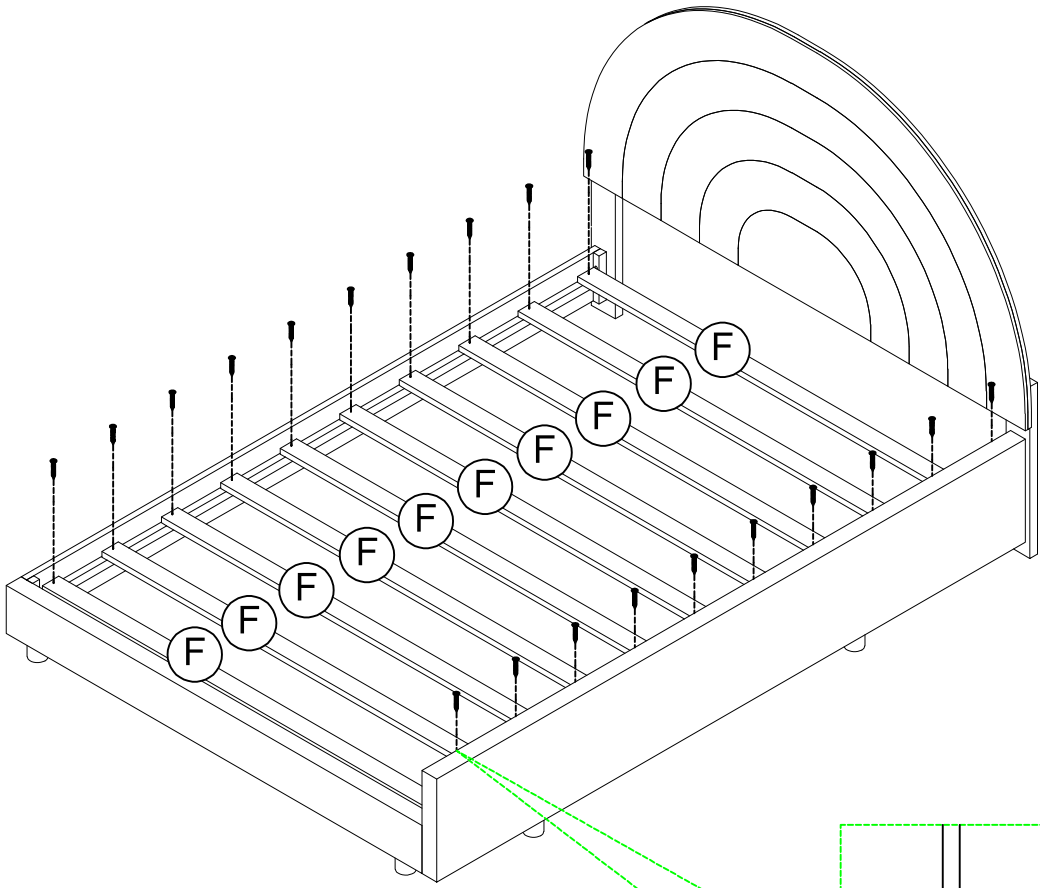


4pcs

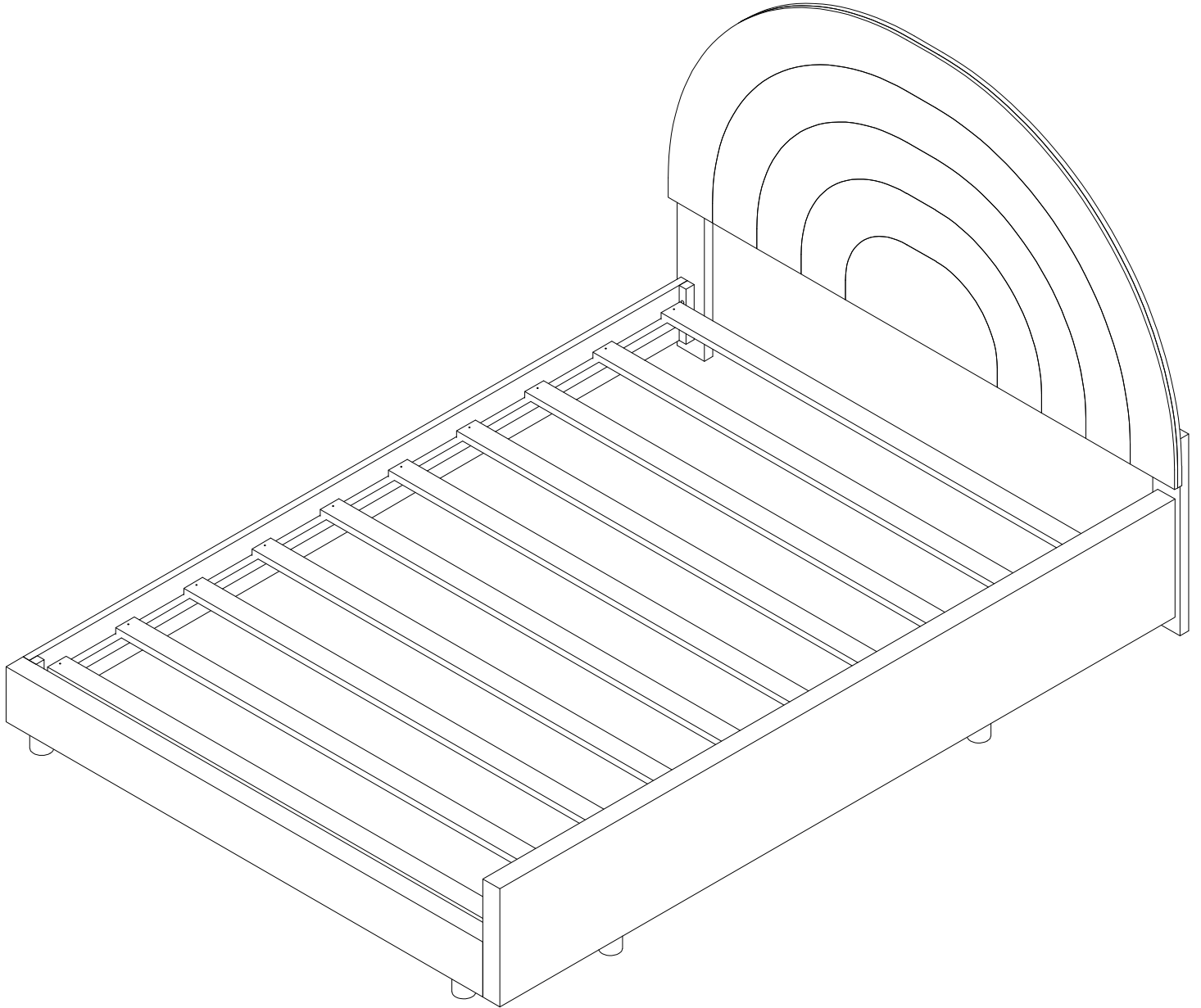


STEP 5: Following below illustration:

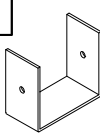
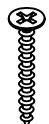
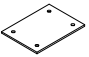
| | |
|-------|--|
| 3 |  |
| 20pcs | |



FINISH



NOTE : IF YOU HAVE ONE PAIR

| | | |
|--|--|---|
| 6 | 7 | 8 |
|  |  |  |
| 1pc | 6pcs | 1pc |

