



PERGOLA

ASSEMBLY GUIDE

- We strongly recommend the use of work gloves during assembly.
- Do not attempt to assemble the PERGOLA in windy or wet conditions.
- Dispose of all plastic bags safely and keep them out of reach of children.
- The PERGOLA must be positioned and fixed on a flat level surface.
- Do not lean against or push the PERGOLA during construction.
- Keep children away from the assembly area.
- Do not position your PERGOLA in an area exposed to excessive wind.
- Do not attempt to assemble this PERGOLA if you are tired, have taken drugs or alcohol or if you are prone to dizzy spells.
- If using a stepladder or power tools ensure that you follow the manufacturer's safety advice.
- Hot items such as recently used grills, blowtorches etc. must not be stored in the PERGOLA.
- Ensure there are no hidden pipes or cables in the ground before inserting the pegs.
- This is a multi-part assembly, allow at least 1.5 hours for assembly.
- Selecting a site--choose a sunny level position away from overhanging trees.
- If you are fixing your PERGOLA directly to a solid concrete foundation use the pre-drilled holes in the metal base supplied.
- The component parts should be checked and laid out close to hand.
- Keep all small parts (screws etc.) in a bowl so they do not get lost.

Weather Protection:

- **WARNING:** If there is lightening, do not stay in or under the product. The frames are constructed of metal, which is conductive, and may cause serious damage.
- When wind power reaches 40mph or above, you may need to set up defense equipment and fix the columns. To fix the columns, use a strong rope or cable and connect to the four angles of the anchors with a block inserted into the soil or tied to a nearby tree at least 4in. in diameter. When wind decreases, please remove safety measures of ropes.
- Clear any leaves and branches on top of pergola to prevent the fabric from damage and dirty.

COMPONENTS



A: (x2)



A1: (x2)



B: (x1)



B1: (x1)



B2: (x1)



B3: (x1)



C: (x2)



C1: (x2)



C2: (x1)



C3: (x1)



C4: (x2)



C5: (x2)



C6: (x6)



D: (x1)



D1: (x1)



D2: (x5)



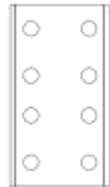
D3: (x5)



O: (x5)



P: (x10)



S: (x14)



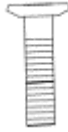
U: (x4)



U1: (x4)



E: (x4)



T: M6 x 16
(x9)



U: M6 x 35
(x6)



F: M6 x 30
(x3)



G: M6 x70
(x10)



H: M6 x 100
(x16)



I: M6 x 15
(x138)



J: M6 (x167)



K: M6 (x26)



L: M6 (x2)



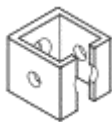
M: (x8)



N: (x2)



V: (x1)

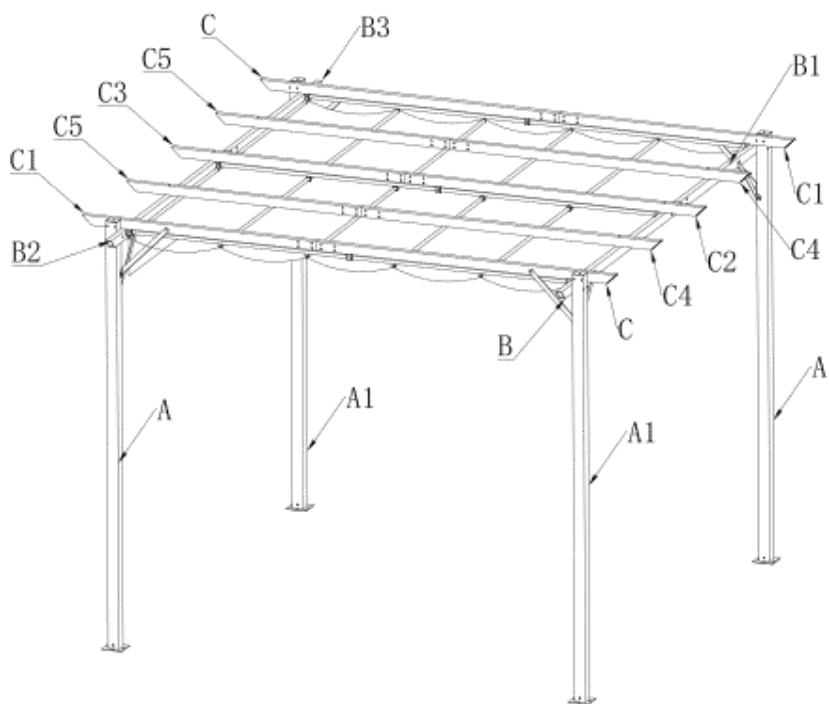


R: (x9)



Q: (x1)

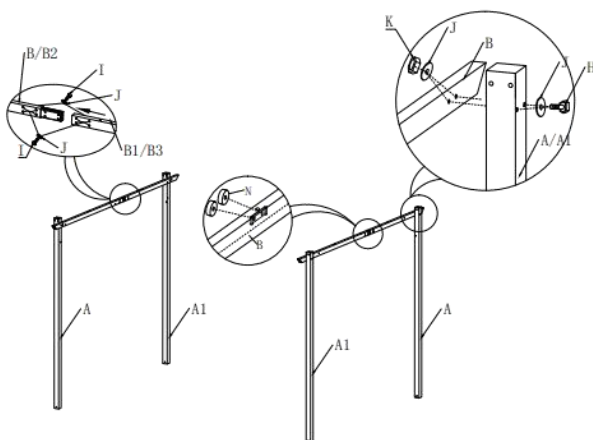
PART LIST



INSTALLATION

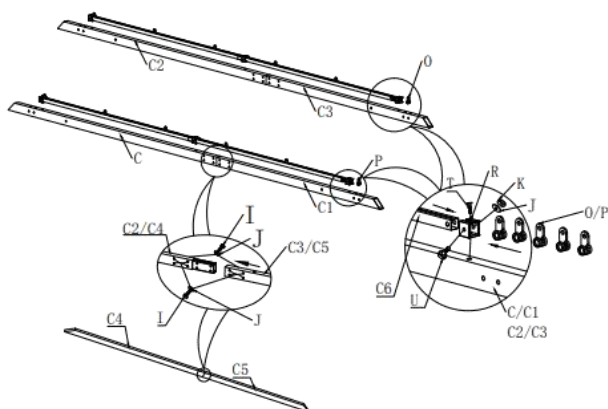
Step 1

Assemble four pillars.



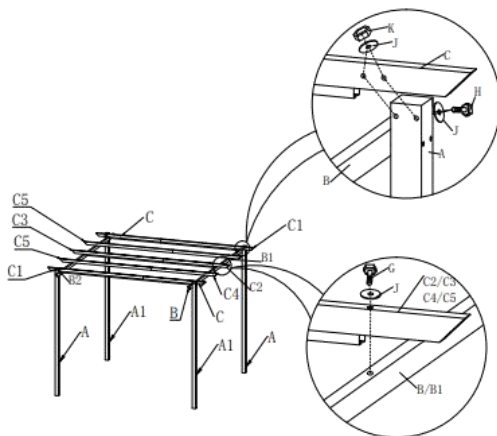
Step 2

Install top frame.



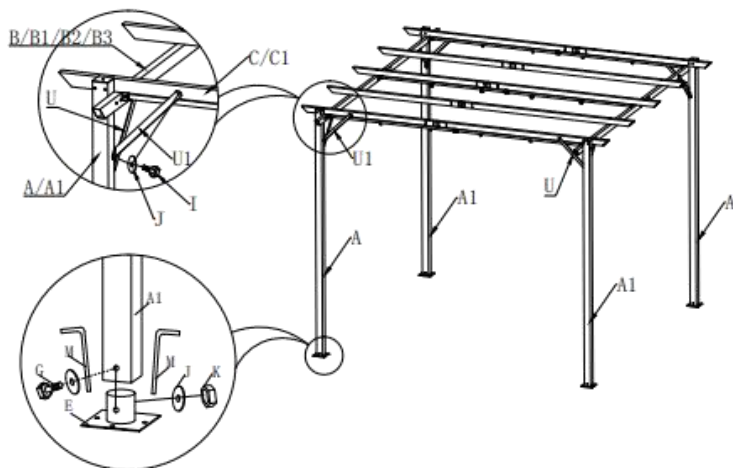
Step 3

Attach the top frame to the four pillars.



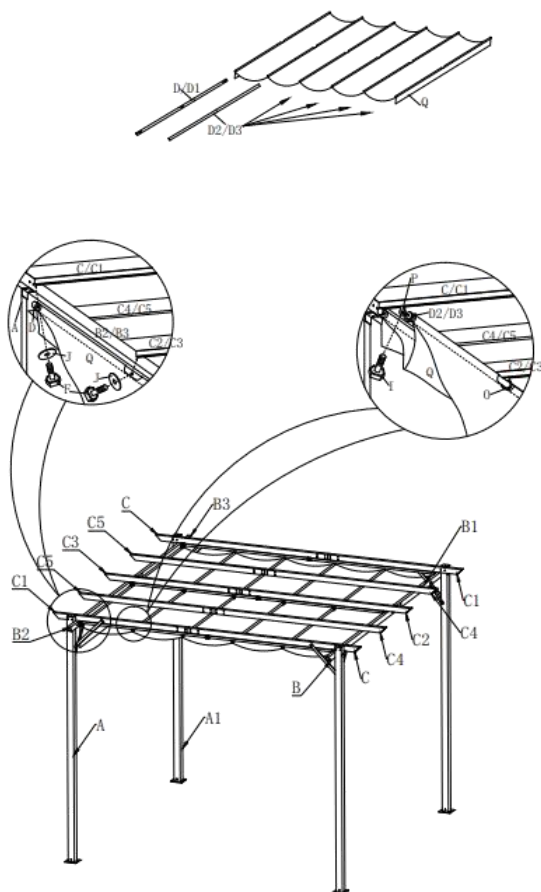
Step 4

Secure the top frame and four pillars and install foot protectors.



Step 5

Install the polyester cloth to the top.



CARE & MAINTENANCE

- When your PERGOLA needs cleaning, use a mild detergent solution and rinse with cool clean water. Do NOT use acetone, abrasive cleaners or other special detergents to clean the fabric.
- If the ground is not level, the unit may tilt to one side. If you find this is the case, please fix immediately to avoid damage.
- Please prevent adding any increased weight to the product.
- Avoid any vine/climbing plants, fruits, or vegetables from growing on the pergola as to not compromise the structure and durability of the product.
- If the structure is compromised, it can easily cause the frame to crack, break, or collapse.
- When using the product, please do not use sharp objects on collision films to avoid cuts. Be careful not to have a sharp object touch the film as it may scratch.
- The fabric have flame polyester material applied to them and is recommended to keep away from fire to avoid damage.
- The frames are made of metal structure. If white spots or dirt is shown, please wipe with a wet cloth. White spots are normal in a wet/warm environment.
- If there is any distorting with the calibration, please fix immediately. Any distortion can cause the skylight to fall. Please refer to the instruction manual for repairs.
- If any connection piece rusts, change out the screws to ensure the connection part is firm and stable.