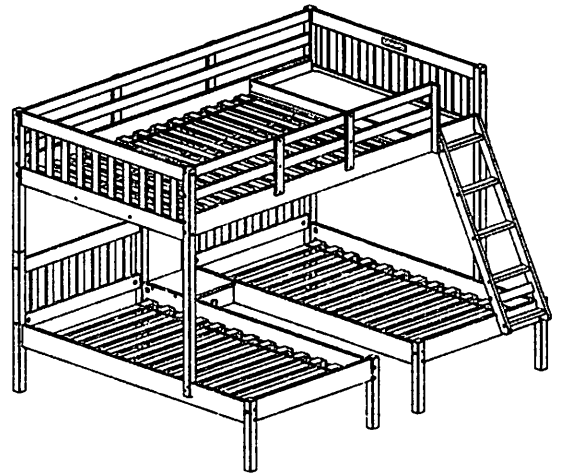


ASSEMBLY INSTRUCTIONS

Thank you for purchasing this quality product. Be sure to check all packing materials carefully for small parts which may have come loose inside the carton during shipment. Separate, identify and count all parts and hardware. Compare with the parts list to be sure all parts are present.



**"DO NOT TIGHTEN SCREWS
UNTIL COMPLETELY ASSEMBLED"**

SIZE OF MATTRESS AND FOUNDATION (SUPPORT)

These low beds are designed to use a twin mattress (37 1/2" - 38 1/2" x 74" - 75") and bunkie board (37 1/2" x 74"). The upper bed is designed to use a full mattress (53 1/2" - 54 1/2" x 74" - 75") and bunkie board 53 1/2" - 74". The total mattress thickness must not exceed 9".

Note: there must be at least 5" from top surface of mattress to top edge of guardrails.

REPLACEMENT PARTS.

Replacement parts, including additional guardrails, may be obtained from place of purchase or original distributor.

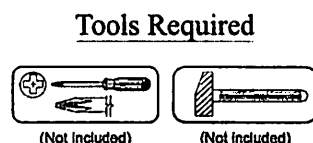
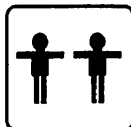
TO OBTAIN PARTS, PLEASE CONTACT: DONCO TRADING COMPANY - FORT WORTH, TEXAS

SAFETY WARNINGS!

- 1- Follow the information on the warning label appearing on the upper bunk end structure and on the carton. Do not remove warning label from bed.
- 2- Always use the recommended size mattress or mattress support, or both, to help prevent the likelihood of entrapment or falls.
- 3- Surface of mattress must be at least 5" below the upper edge of guardrails.
- 4- Do not allow children under 6 years of age to use the upper bunk.
- 5- Prohibit more than one person on upper bunk.
- 6- Periodically check and ensure that the guardrail, ladder and other components are in their proper position free from damage, and that all connectors are tight.
- 7- Do not allow horseplay on or under the bed and prohibit jumping on the bed.
- 8- Always use the ladder for entering and leaving the upper bunk.
- 9- Do not use substitute parts. Contact distributor or dealer for replacement parts.
- 10- Use of a night light may provide added safety precaution for a child using the upper bunk.
- 11- If the bunk bed will be placed next to a wall, the guardrail that runs the full length of the bed should be placed against the wall to prevent entrapment between the bed and the wall.
- 12- Always use guardrails on both long sides of the upper bunk.
- 13- The use of water or sleep flotation mattresses is prohibited.
- 14- Keep these instructions for future reference.
- 15- Strangulation Hazard - Never attach or hang items to any part of the bunk bed that are not designed for use with the bed: for example, but not limited to hooks, belts, and jump ropes, etc.



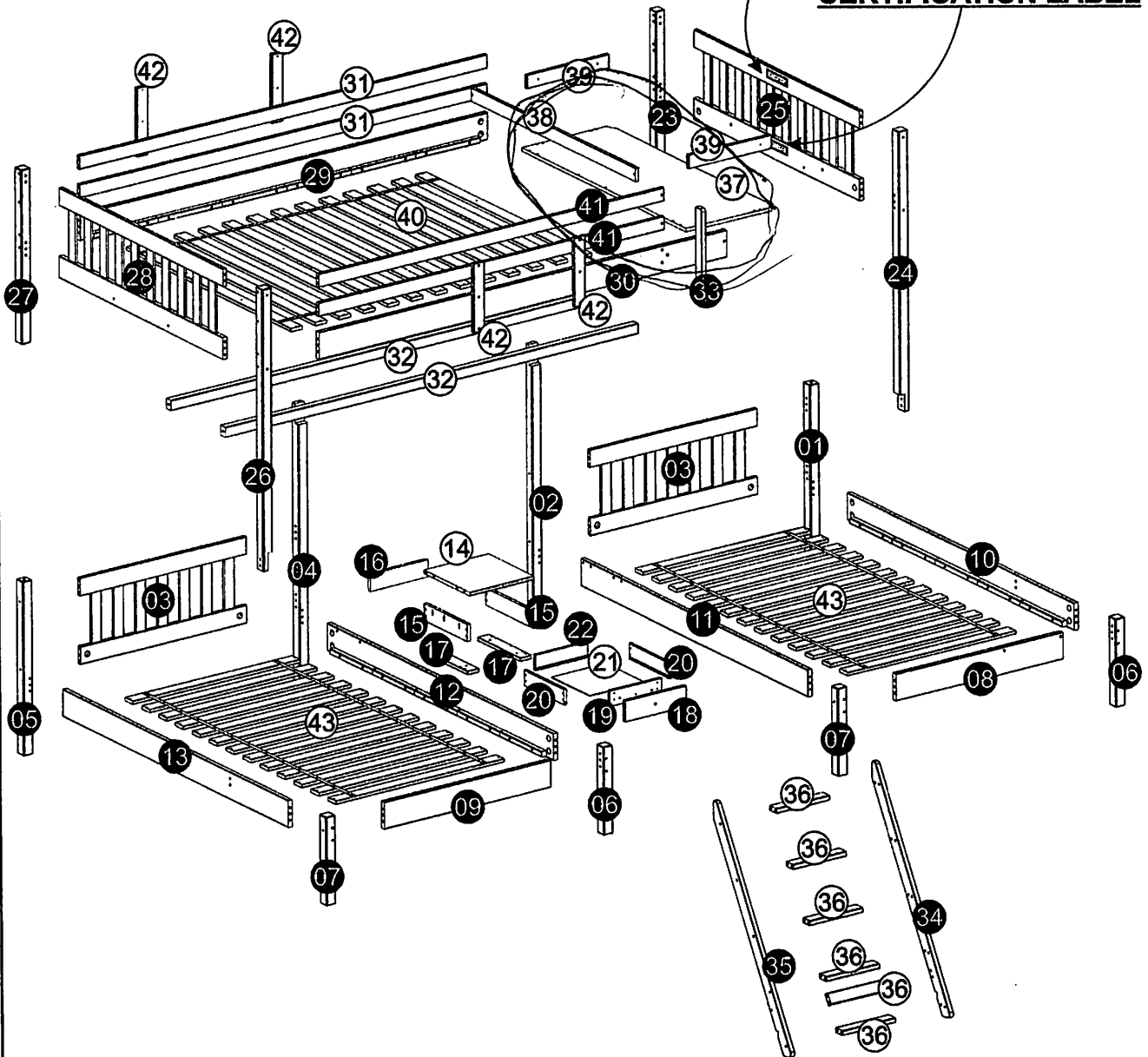
* Use of power tool to assemble this product will invalidate any claim and damage this product making unsafe !!!
* Please assemble on a clean soft surface to avoid damage.



IMPORTANT: PLEASE READ INSTRUCTIONS BEFORE STARTING THE ASSEMBLY

WARNING LABEL


CERTIFICATION LABEL





CAUTION!

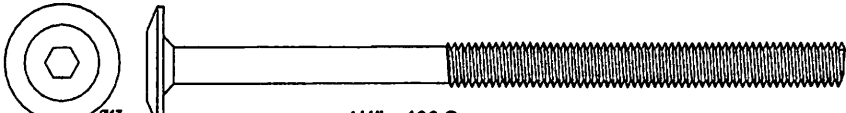
Please be careful when assembling this product due the parts are extremely heavy. Also, please do not allow kids around when assembling this bed to avoid injuries!

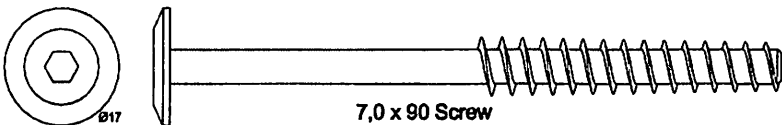
Identifying the Hardware-Identify the hardware using the illustrations below.

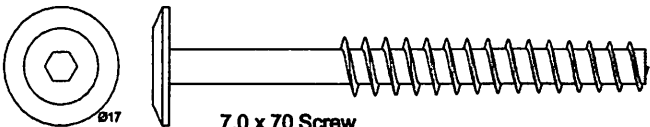
A  Qty **87**
10 x 40 Wood Dowel

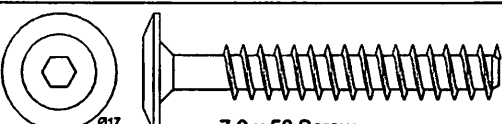
B  Qty **04**
8 x 25 Wood Dowel

C  Qty **02**
15 x 100 Wood Dowel

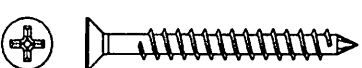
D  Qty **36**
1/4" x 100 Screw

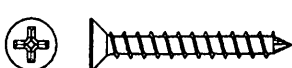
E  Qty **14**
7,0 x 90 Screw

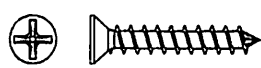
F  Qty **04**
7,0 x 70 Screw

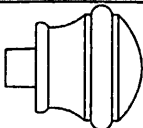
G  Qty **26**
7,0 x 50 Screw


H  Qty **36**
1/4" Half Moon

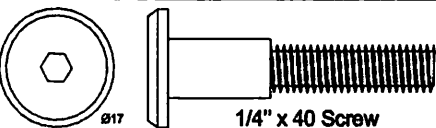
I  Qty **21**
4,0 x 40 Screw

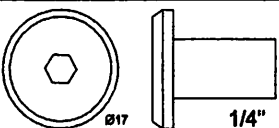
J  Qty **122**
4,0 x 30 Screw

K  Qty **04**
4,0 x 25 Screw

L  Qty **01**
Knob

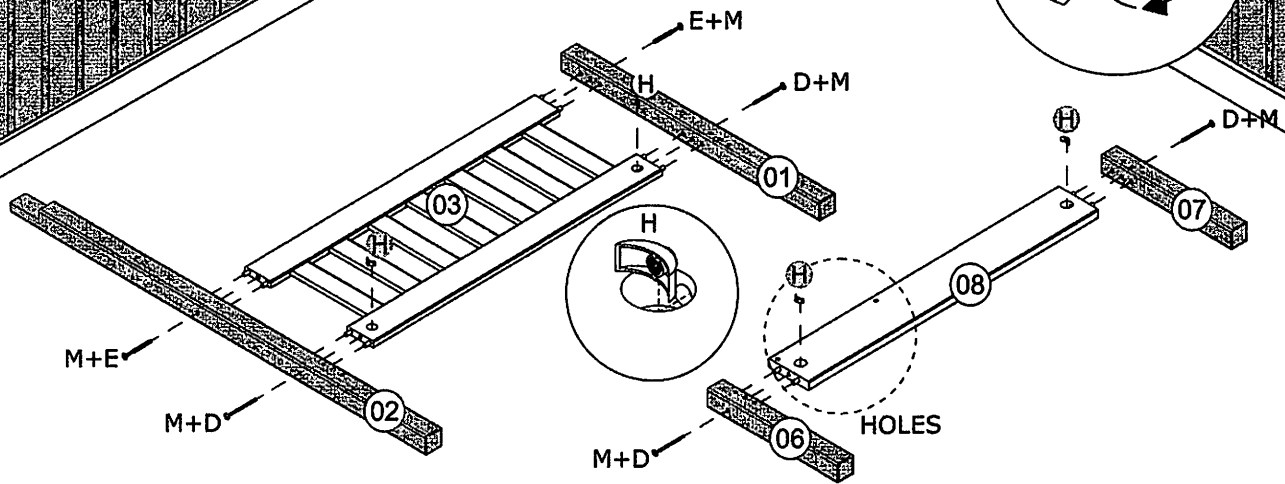
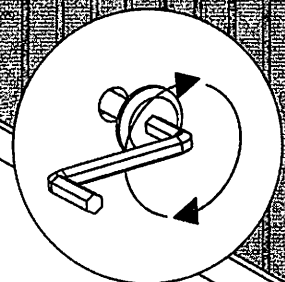
M  Qty **02**
Hex Screwdriver

N  Qty **04**
1/4" x 40 Screw

O  Qty **04**
1/4"

02

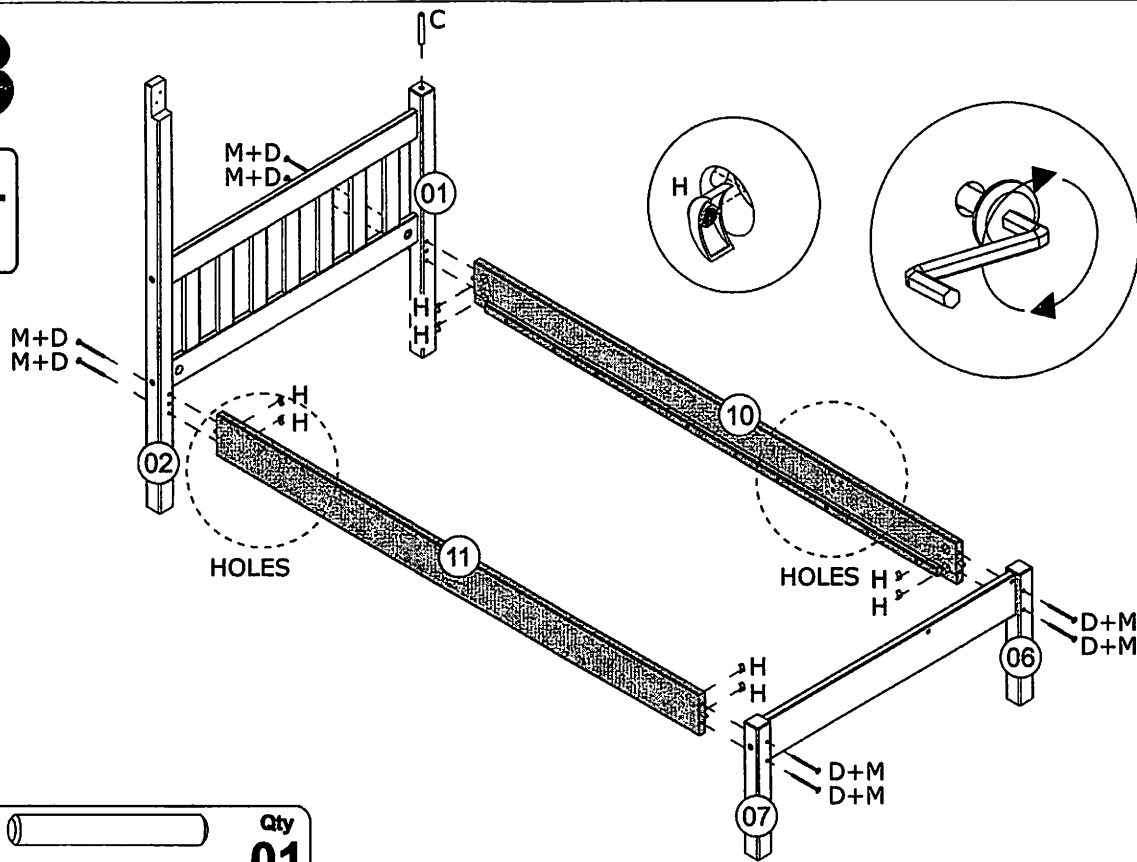
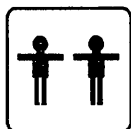
RIGHT BOTTOM BED



D		Qty 04	E		Qty 02
	1/4" x 100 Screw			7,0 x 90 Screw	

H		Qty 04	M		Qty 01
	1/4" Half Moon			Hex Screwdriver	

03



C		Qty 01
	15 x 100 Wood Dowel	

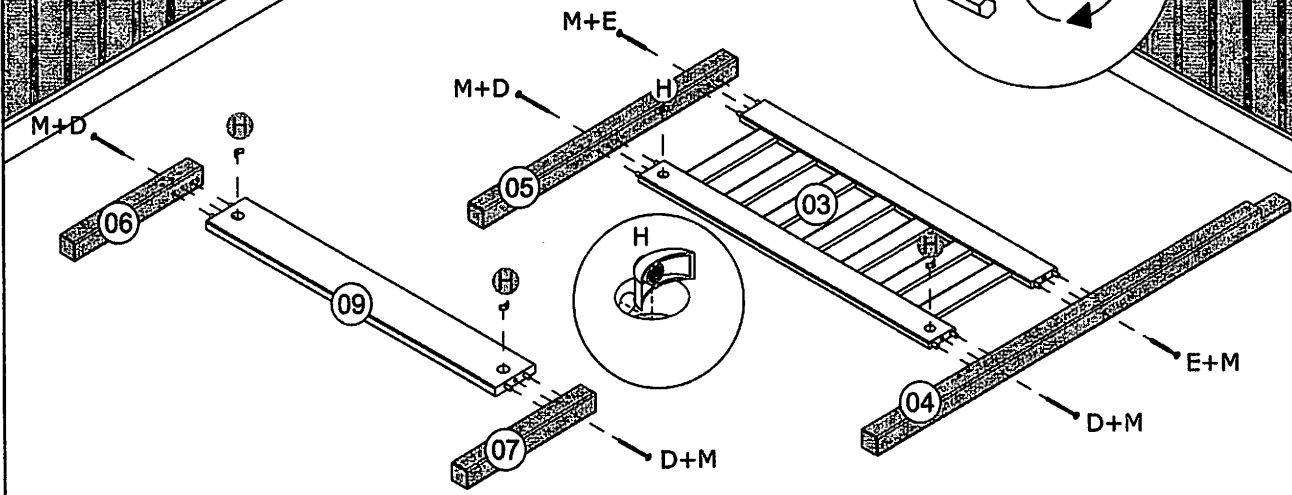
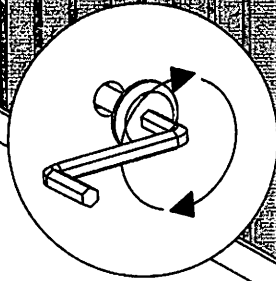
D		Qty 08
	1/4" x 100 Screw	

H		Qty 08
	1/4" Half Moon	

M		Qty 01
	Hex Screwdriver	

04

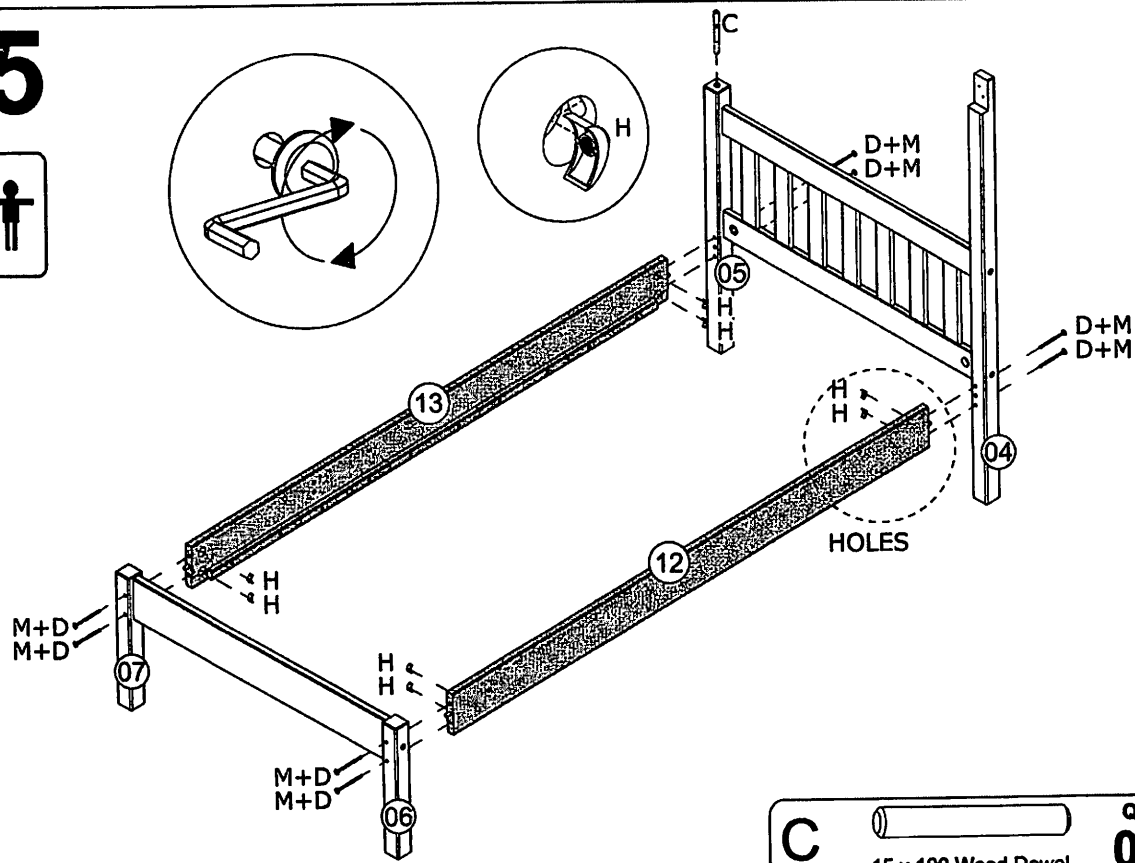
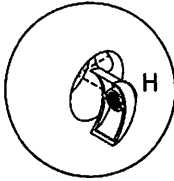
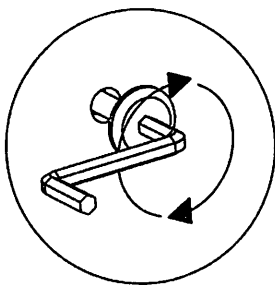
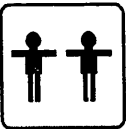
LEFT BOTTOM BED



D		Qty 04	E		Qty 02
	1/4" x 100 Screw			7.0 x 90 Screw	

H		Qty 04	M		Qty 01
	1/4" Half Moon			Hex Screwdriver	

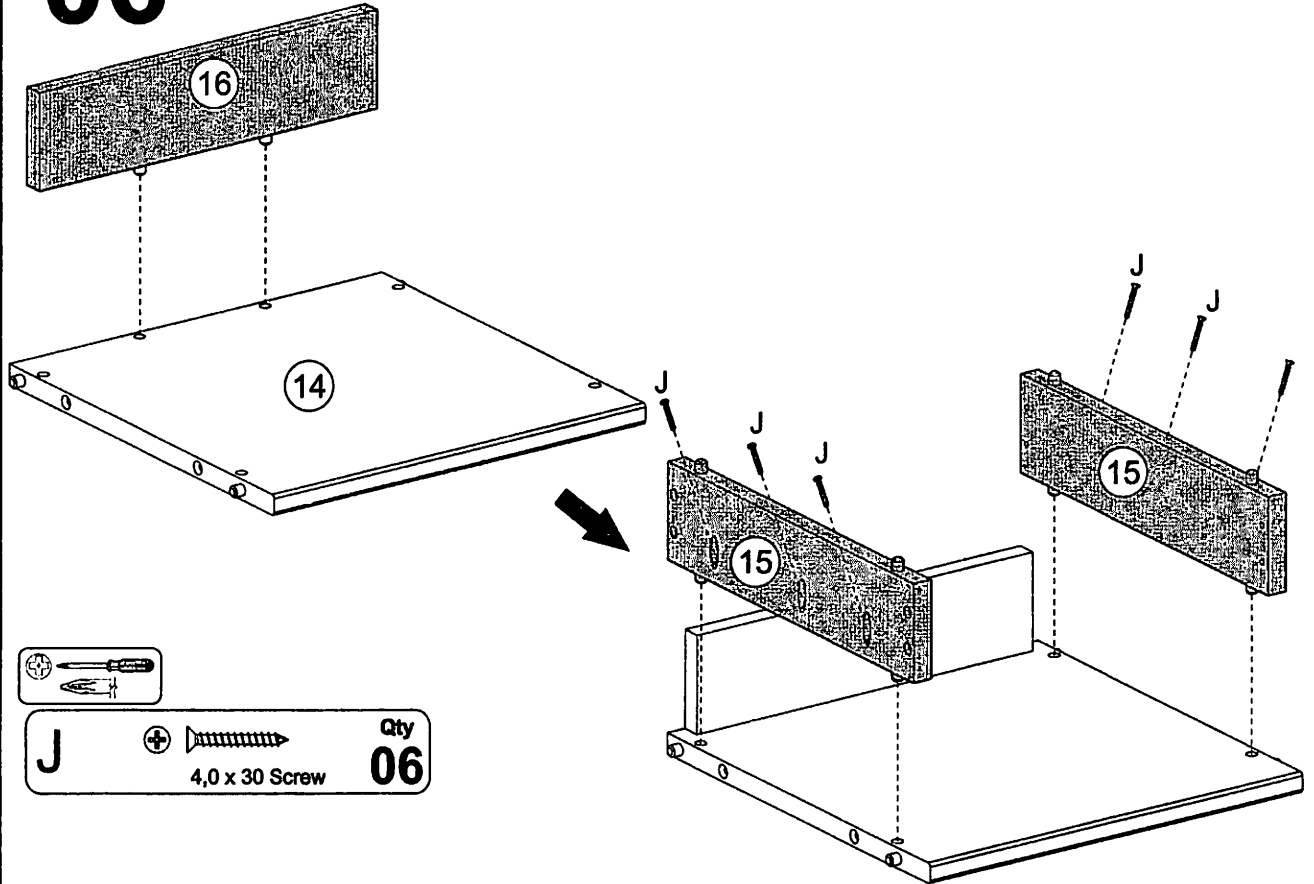
05



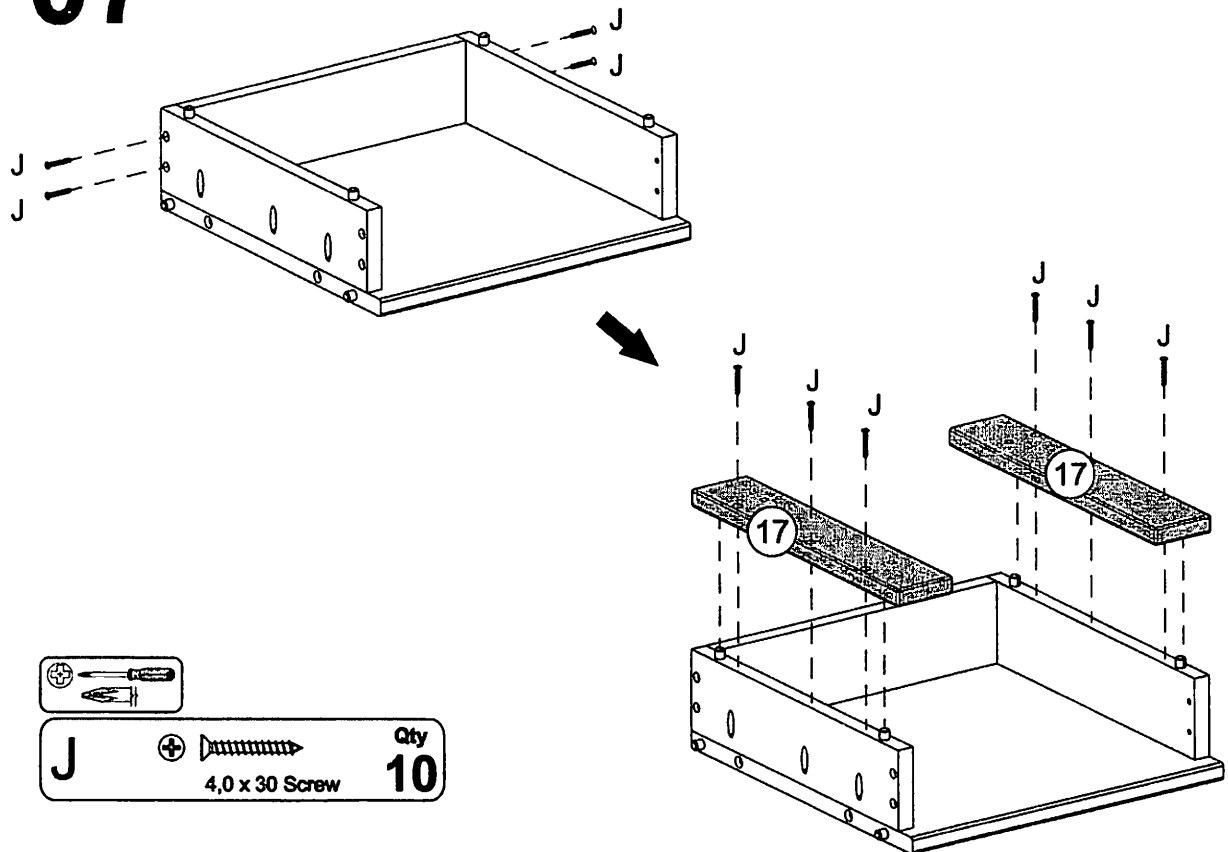
C		Qty 01
	15 x 100 Wood Dowel	

D		Qty 08	H		Qty 08	M		Qty 01
	1/4" x 100 Screw			1/4" Half Moon			Hex Screwdriver	

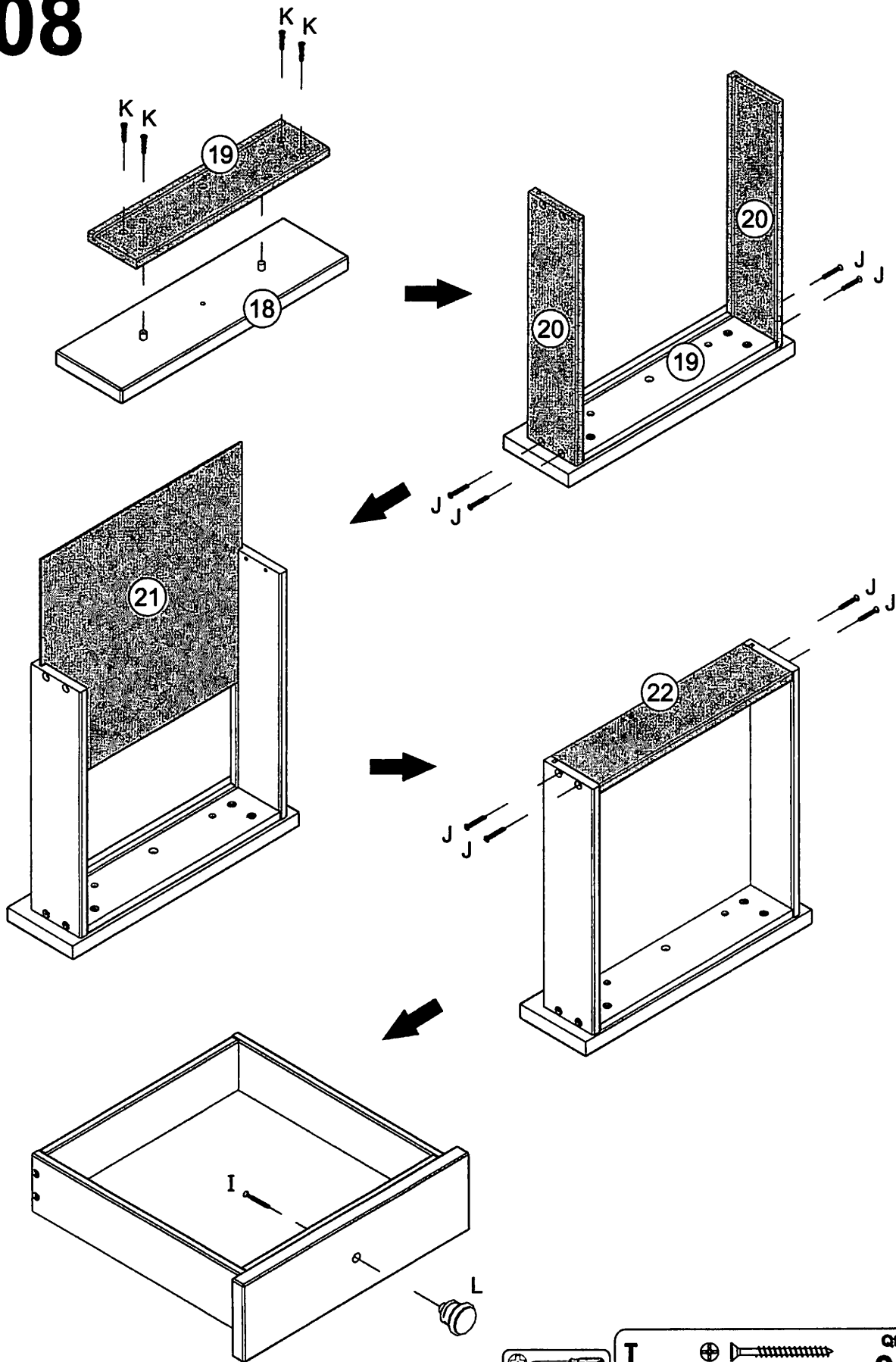
06

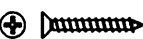


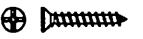
07

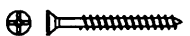


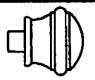
08

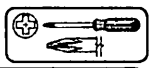


J  Qty **08**

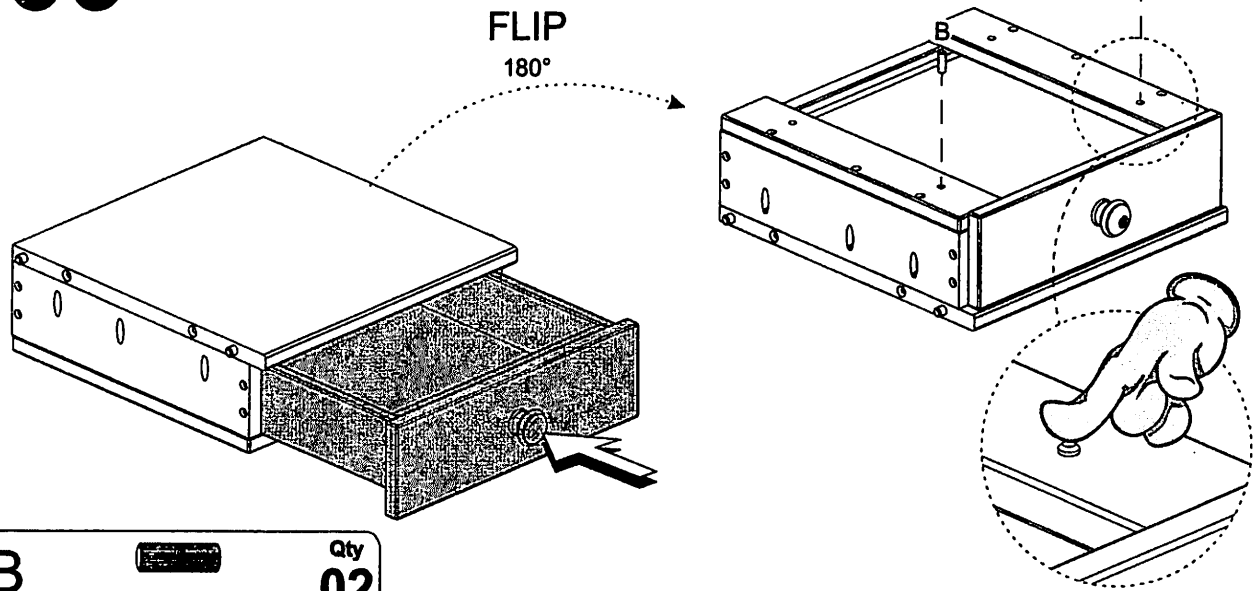
K  Qty **04**

I  Qty **01**

L  Qty **01**



09



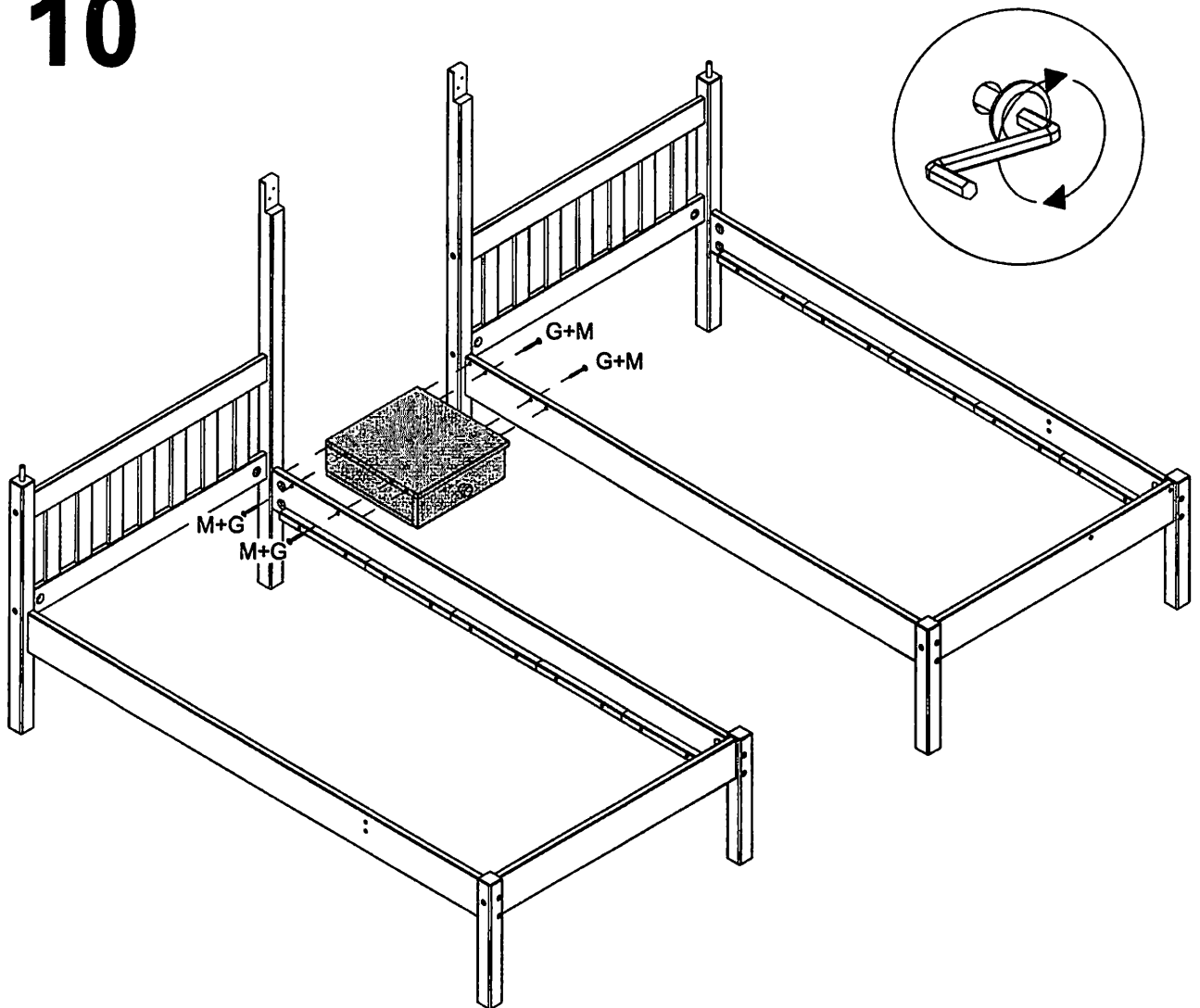
B

8 x 25 Wood Dowel

Qty

02

10



G



7,0 x 50 Screw

Qty
04

M

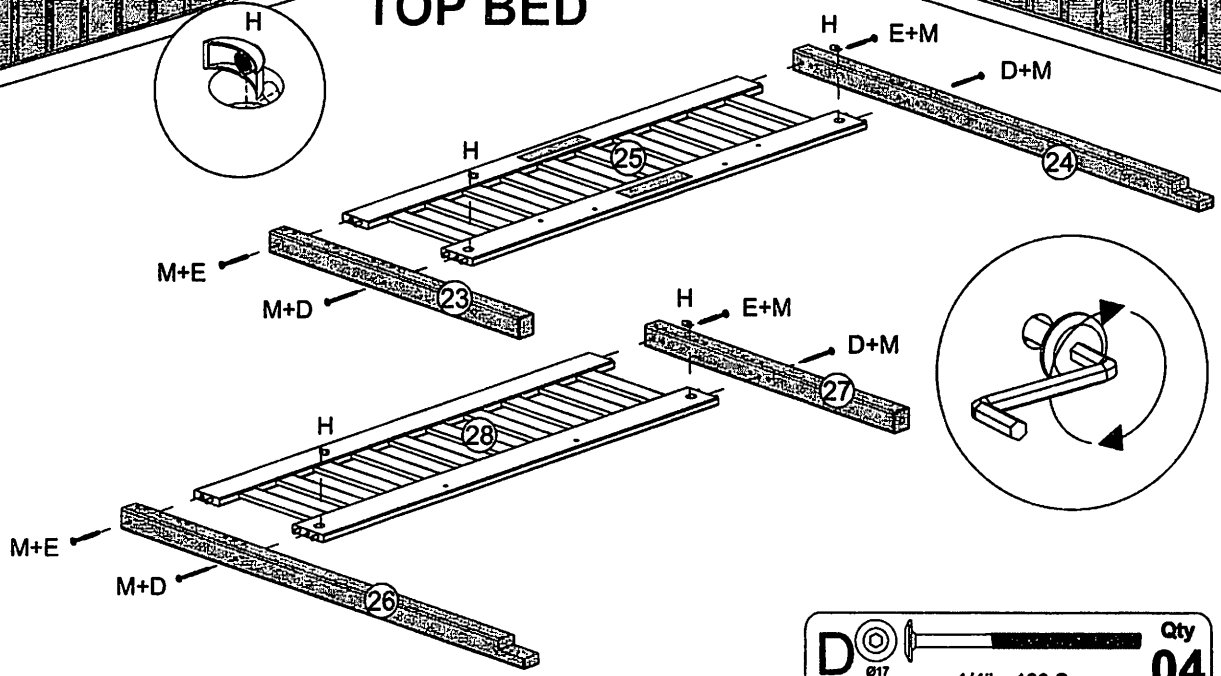



Hex
Screwdriver

Qty
01


11

TOP BED



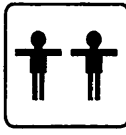
E  Qty **04**
7,0 x 90 Screw

H  Qty **04**
1/4" Half Moon

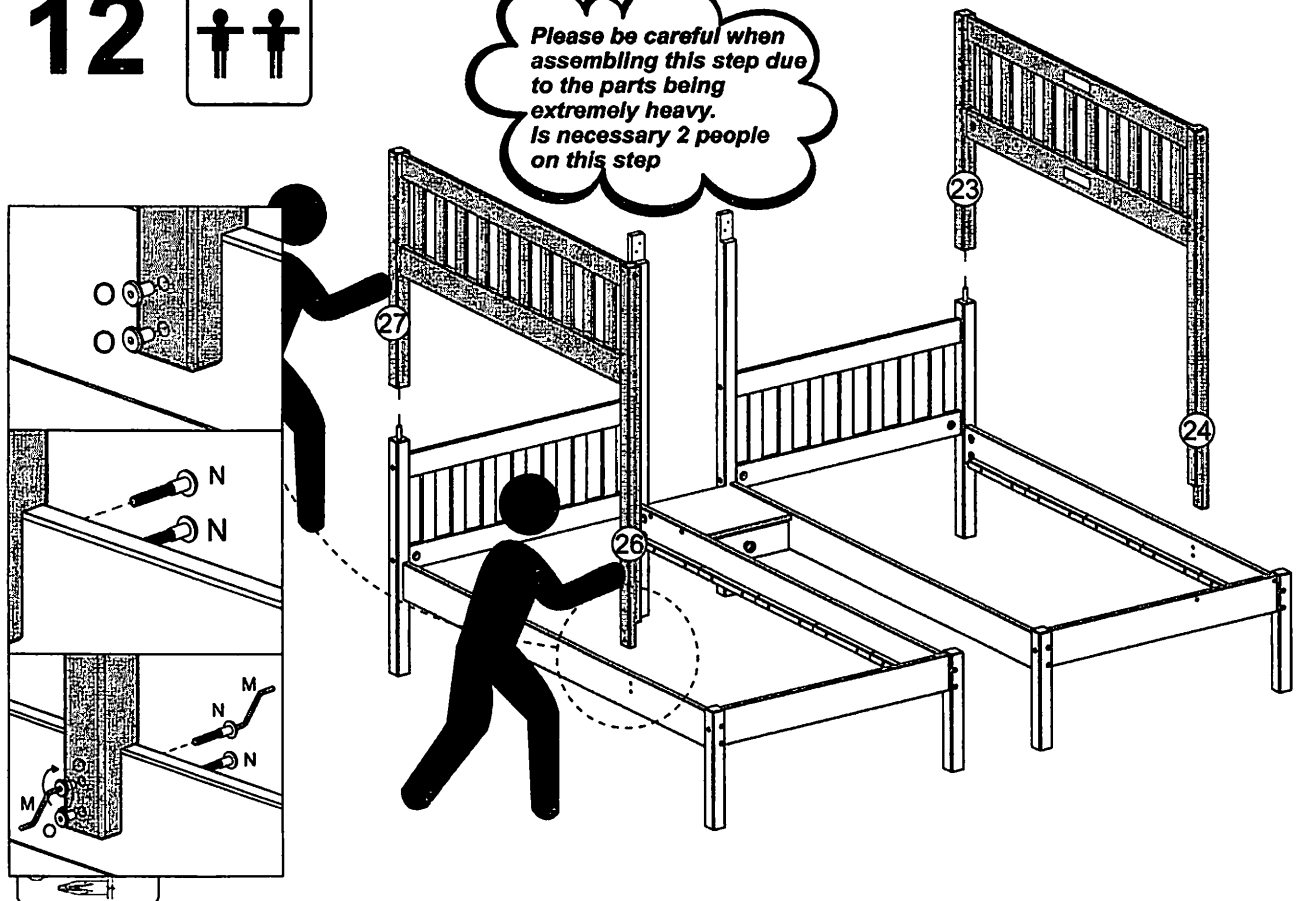
D  Qty **04**
1/4" x 100 Screw

M  Qty **01**
Hex Screwdriver


12




Please be careful when assembling this step due to the parts being extremely heavy. Is necessary 2 people on this step



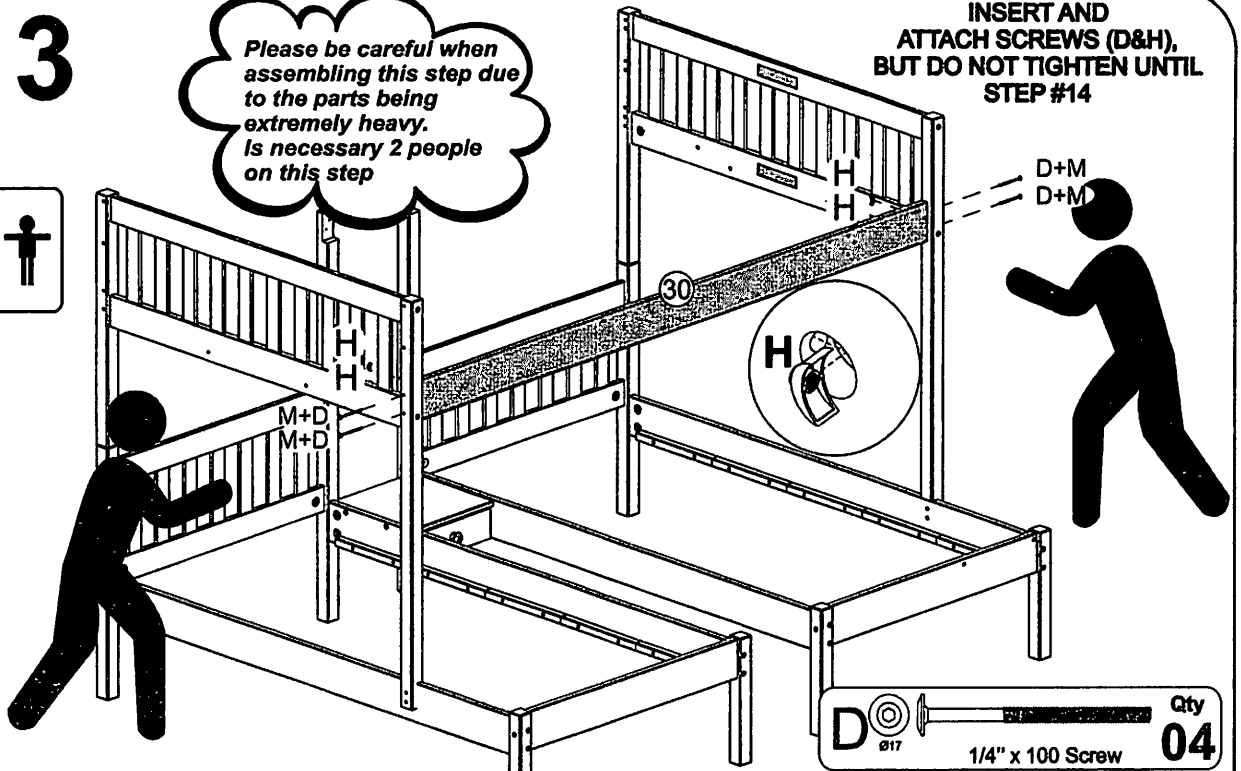
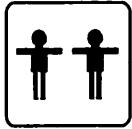
M  Qty **02**
Hex Screwdriver

N  Qty **04**
1/4" x 40 Screw

 Qty **04**
1/4"

13

Please be careful when assembling this step due to the parts being extremely heavy. Is necessary 2 people on this step

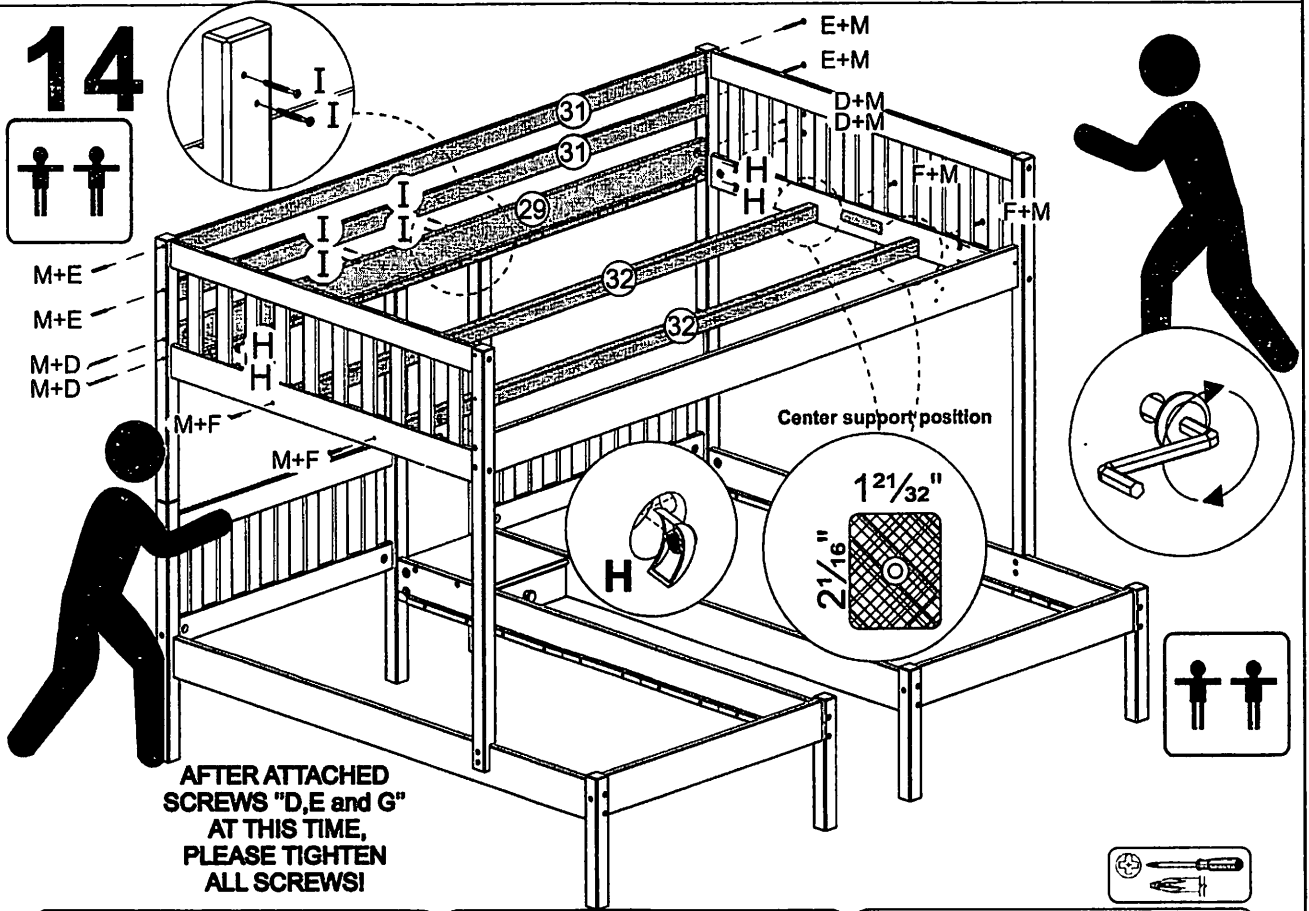
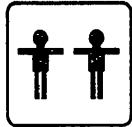


H 1/4" Half Moon Qty **04**

D 1/4" x 100 Screw Qty **04**

M Hex Screwdriver Qty **01**

14



AFTER ATTACHED SCREWS "D,E and G" AT THIS TIME, PLEASE TIGHTEN ALL SCREWS!

D 1/4" x 100 Screw Qty **04**

E 7,0 x 90 Screw Qty **04**

F 7,0 x 70 Screw Qty **04**

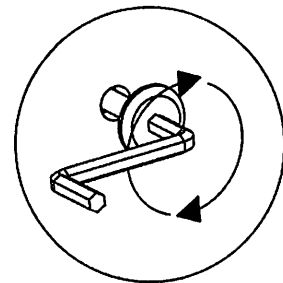
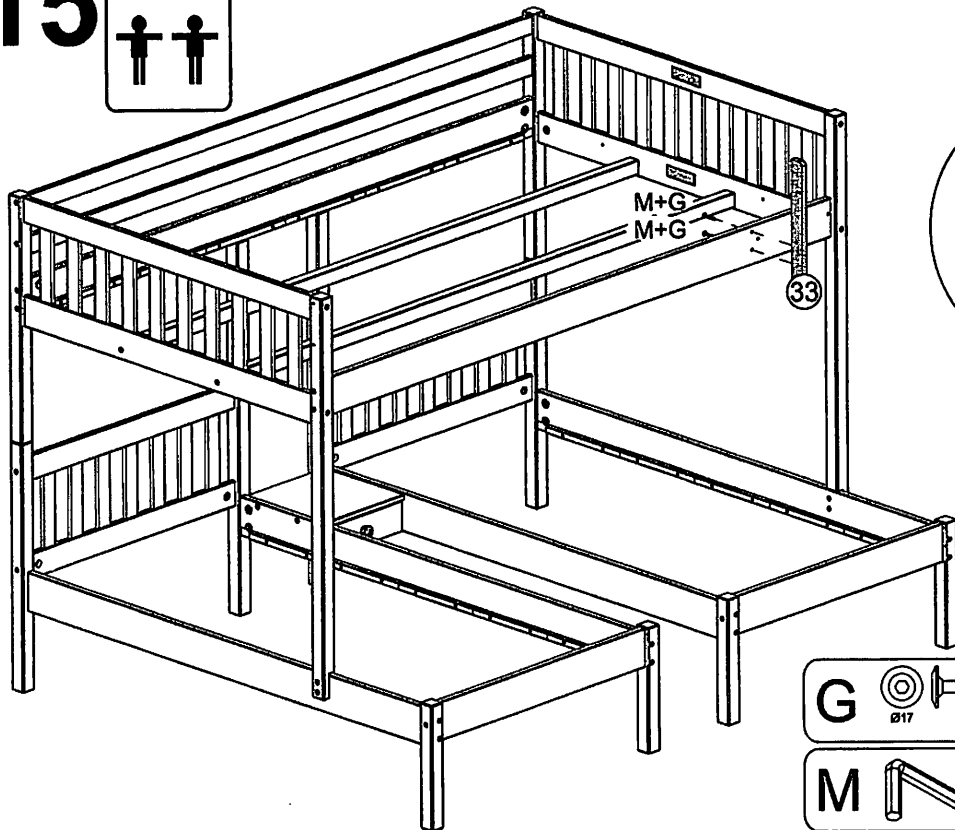
H 1/4" Half Moon Qty **04**



I 4,0 x 40 Screw Qty **04**

M Hex Screwdriver Qty **01**



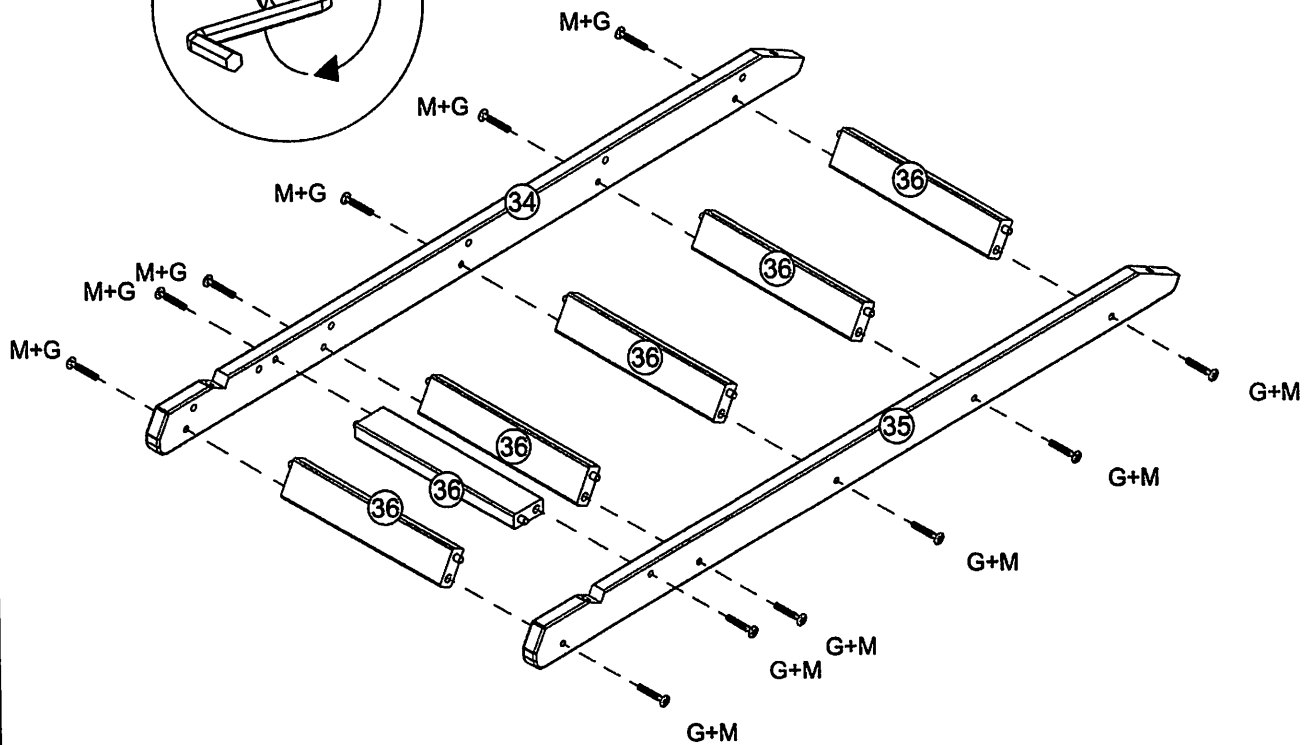
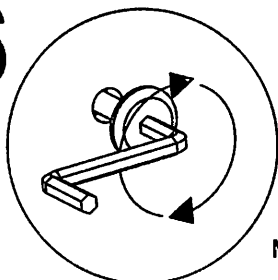
15



G		$\varnothing 17$	7,0 x 50 Screw	Qty 02
M			Hex Screwdriver	Qty 01

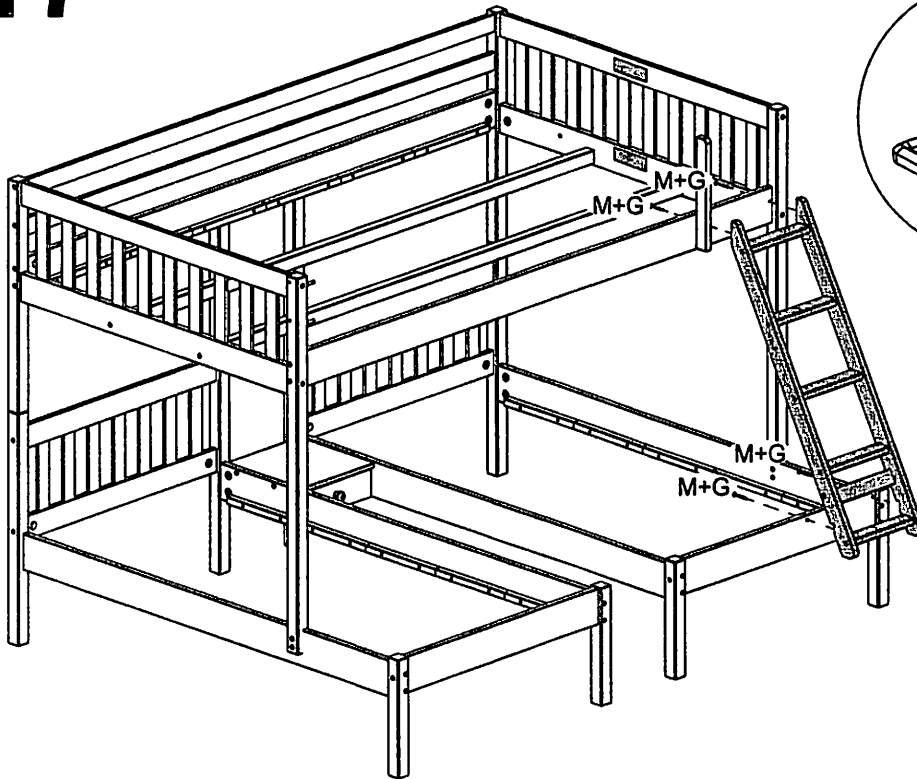
16

LADDER



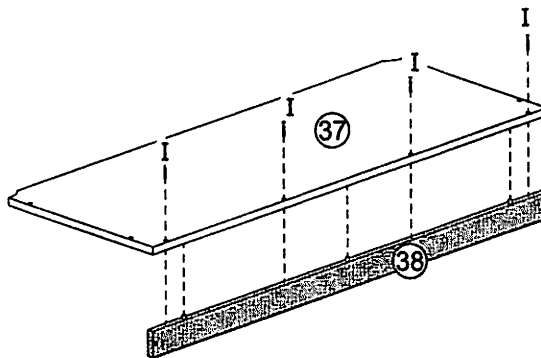
G		$\varnothing 17$	7,0 x 50 Screw	Qty 12
M			Hex Screwdriver	Qty 01

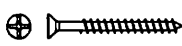
17




G		Qty	M		Hex Screwdriver	Qty
	Ø17	7,0 x 50 Screw	04			01

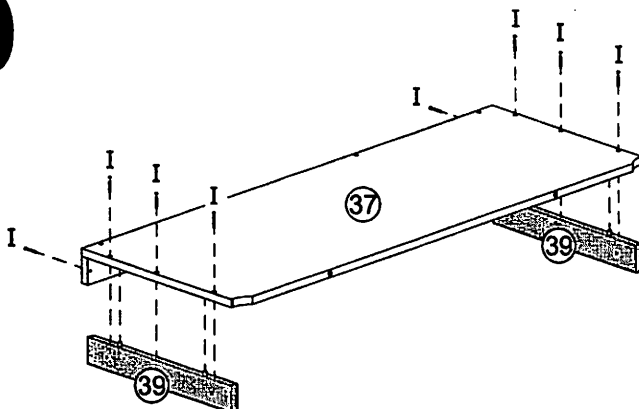
18

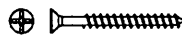



I		Qty				
		4,0 x 40 Screw	04			



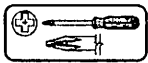
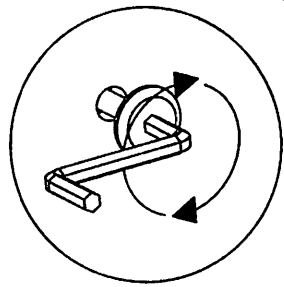
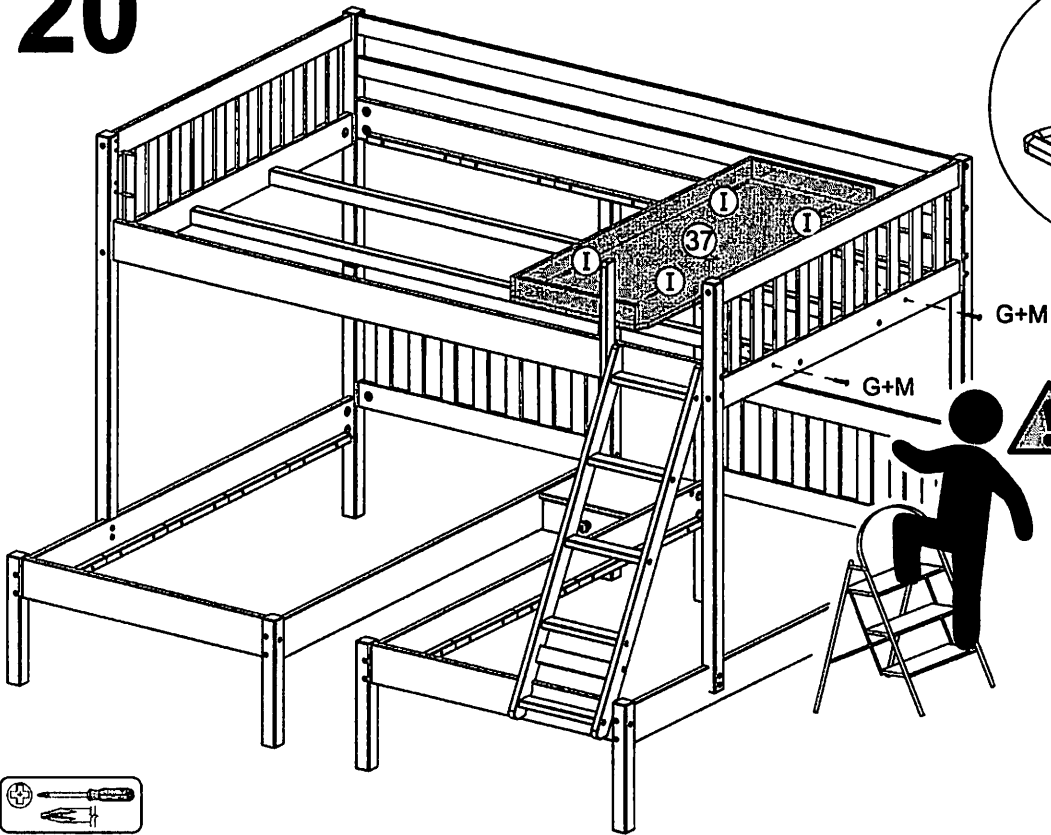
19





I		Qty				
		4,0 x 40 Screw	08			



20

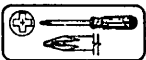
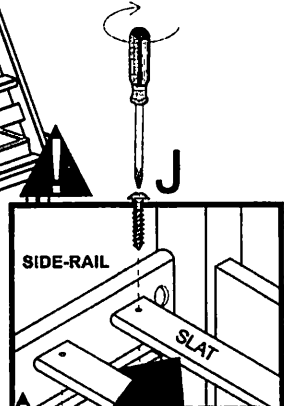
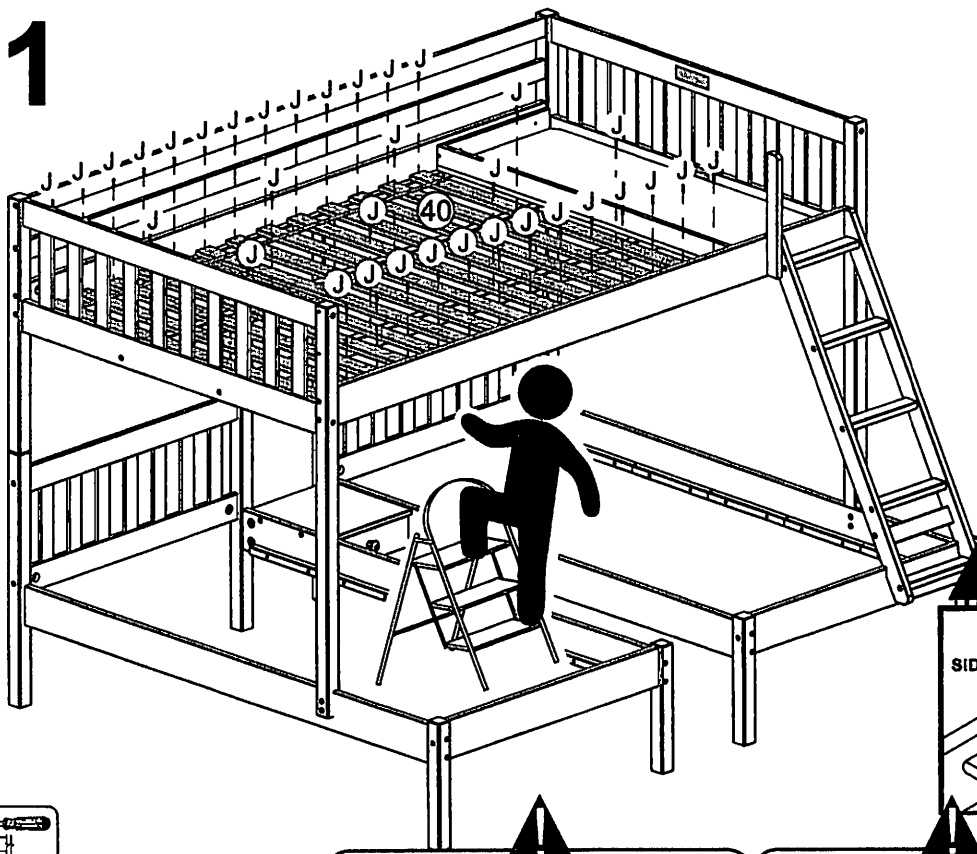



I  Qty **04**
4,0 x 40 Screw

G  Qty **02**
7,0 x 50 Screw

M  Qty **01**
Hex Screwdriver

21

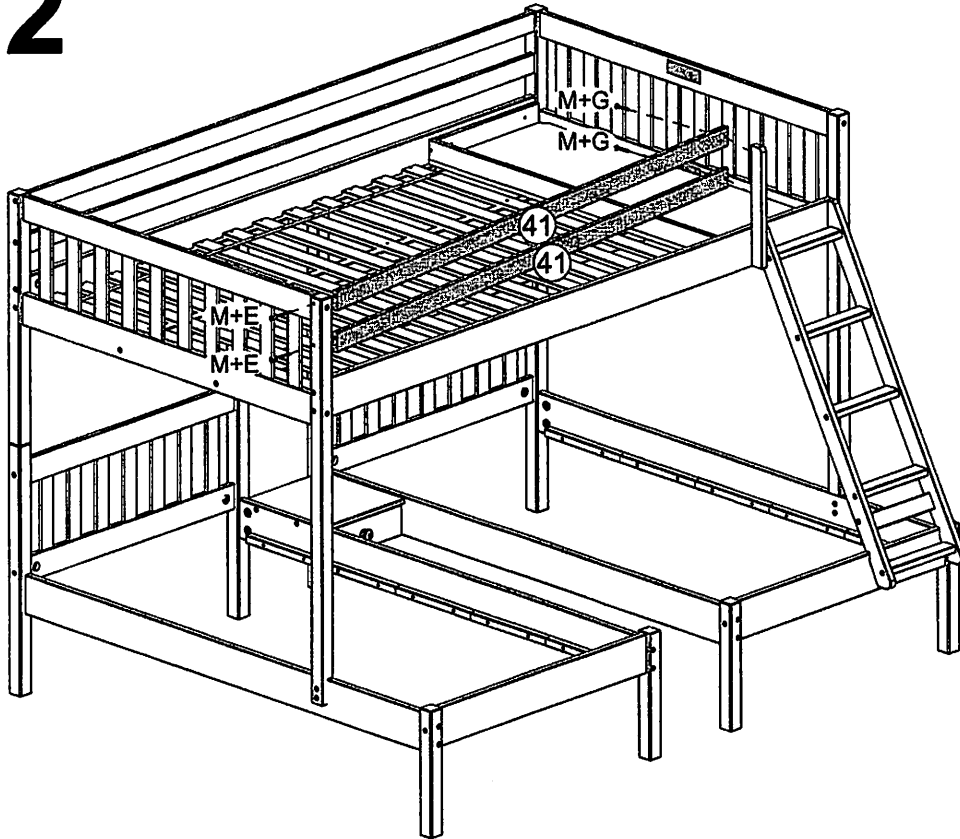



J  Qty **34**
4,0 x 30 Screw


INSTALL SLAT KIT WITH SPACER TAPE ON TOP(FACING UP)

The first slats must be fixed at 3" from each headboard end.

22

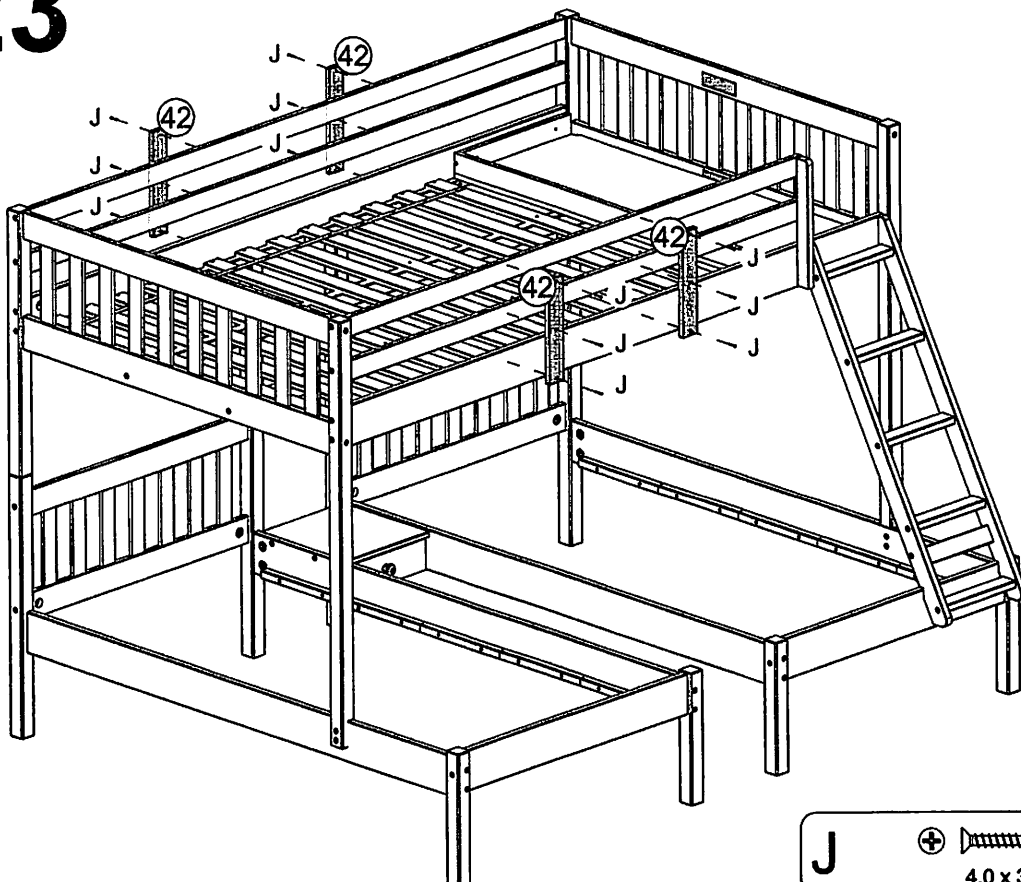


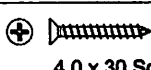
E  Qty **02**
7,0 x 90 Screw

G  Qty **02**
7,0 x 50 Screw

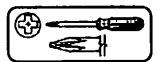
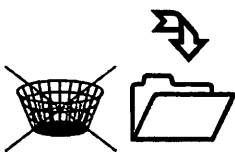
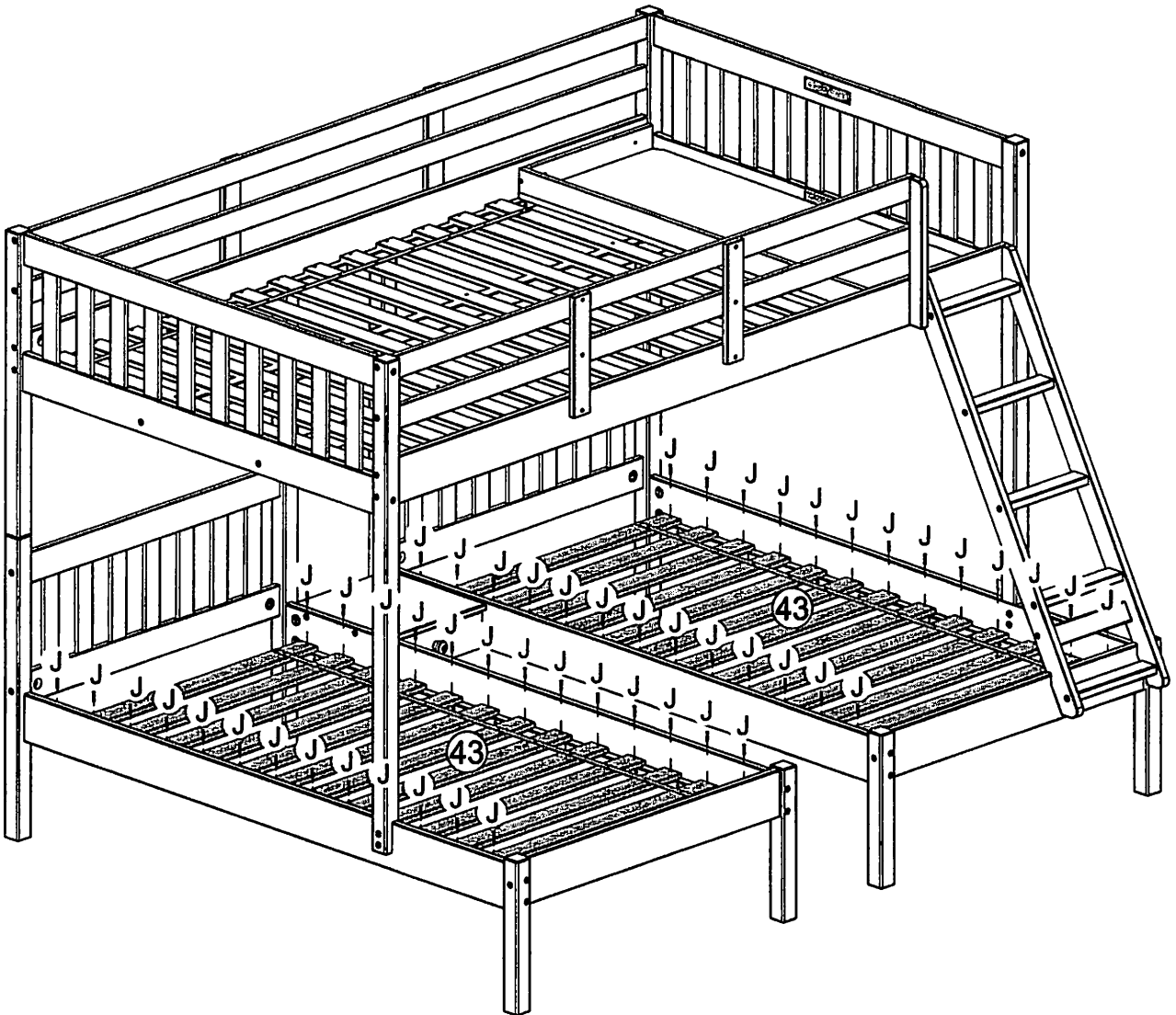
M  Hex Screwdriver Qty **01**


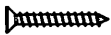
23



J  Qty **12**
4,0 x 30 Screw

24



J   Qty **52**
4,0 x 30 Screw