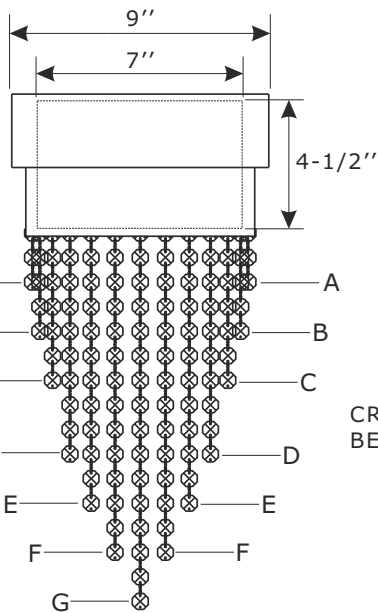
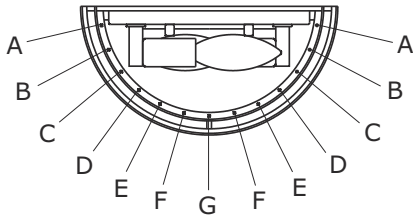
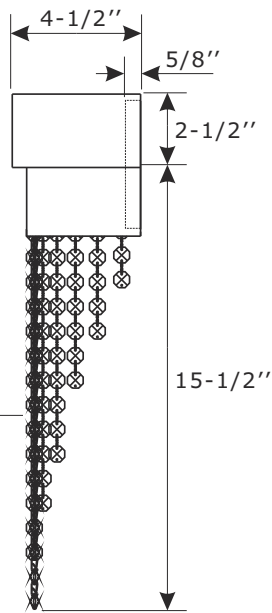


## ASSEMBLY INSTRUCTION

TOP VIEW



FRONT VIEW



SIDE VIEW

CRYSTAL  
BEADS

### Crystal Sets:

A = (14mmx3pcs)x2sets

B = (14mmx5pcs)x2sets

C = (14mmx7pcs)x2sets

D = (14mmx9pcs)x2sets

E = (14mmx11pcs)x2sets

F = (14mmx13pcs)x2sets

G = (14mmx15pcs)x1set

### WARNING:



Electrical Danger



Turn Power off

All electrical components must be installed by a licensed electrician in accordance with the National Electric Code and the appropriate local electrical codes.



You will need 2- Candelabra Base Bulb  
40 Watts Recommended 60 Watts Max.  
USE LED BULBS FOR EXTENDED USE

### How to install

1. Install the mounting plate to the outlet box using two outlet box screws.
2. Separate the banding from the backplate by removing the screws.
3. Install the backplate onto the mounting plate, and secure with the finials.
4. Install the bulb(not included) into socket.
5. Dress the crystals as illustrated. Start with letter "A"
6. Put the banding back onto the backplate and secure it with screws.

Part Numbers

- A. (1)-Mounting hardware
- B. (1)-Backplate L7"xW4-1/2"xD5/8" #XRF3202PNBKP71N
- C. (2)-Finial #XRF3202PNFIN
- D. (2)-Socket
- E. (2)-Screws
- F. (1)-Band frame

