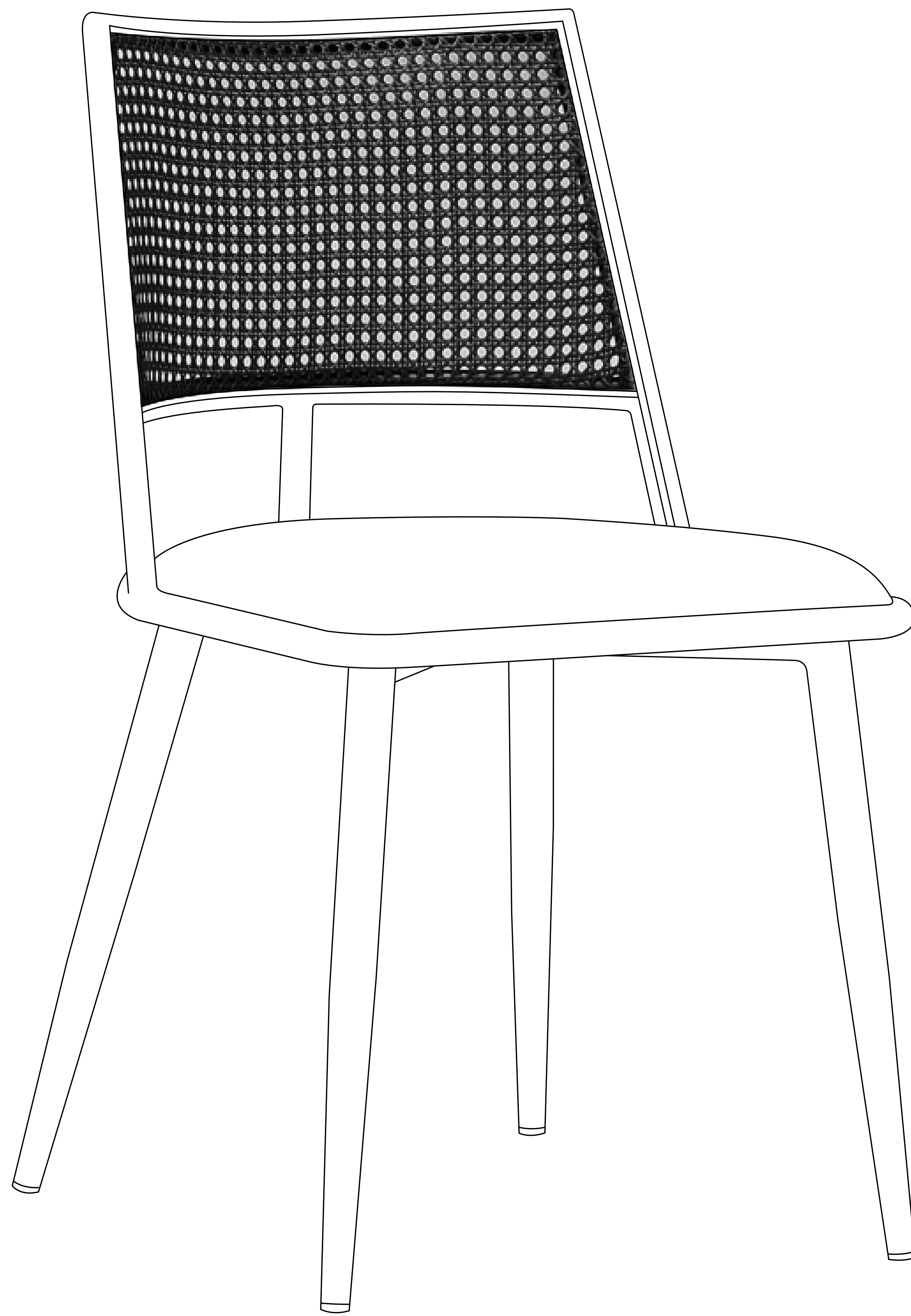


Assembly Manual

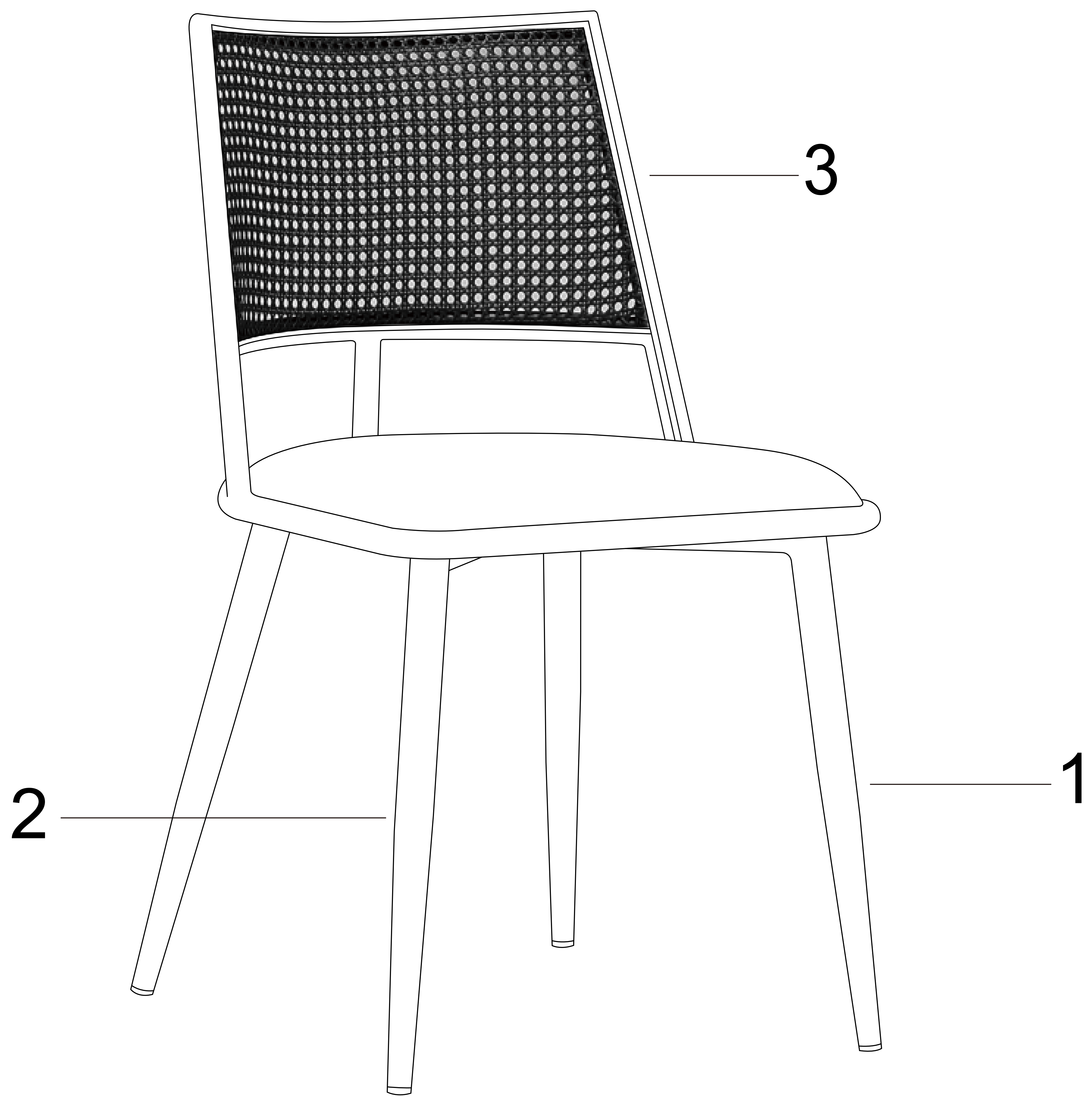
Dining Chair



Please read this manual carefully before any operation and keep it properly for future use.

If any problems on our product, please feel free to contact us

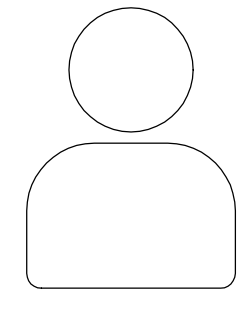
Exploded View



Components List

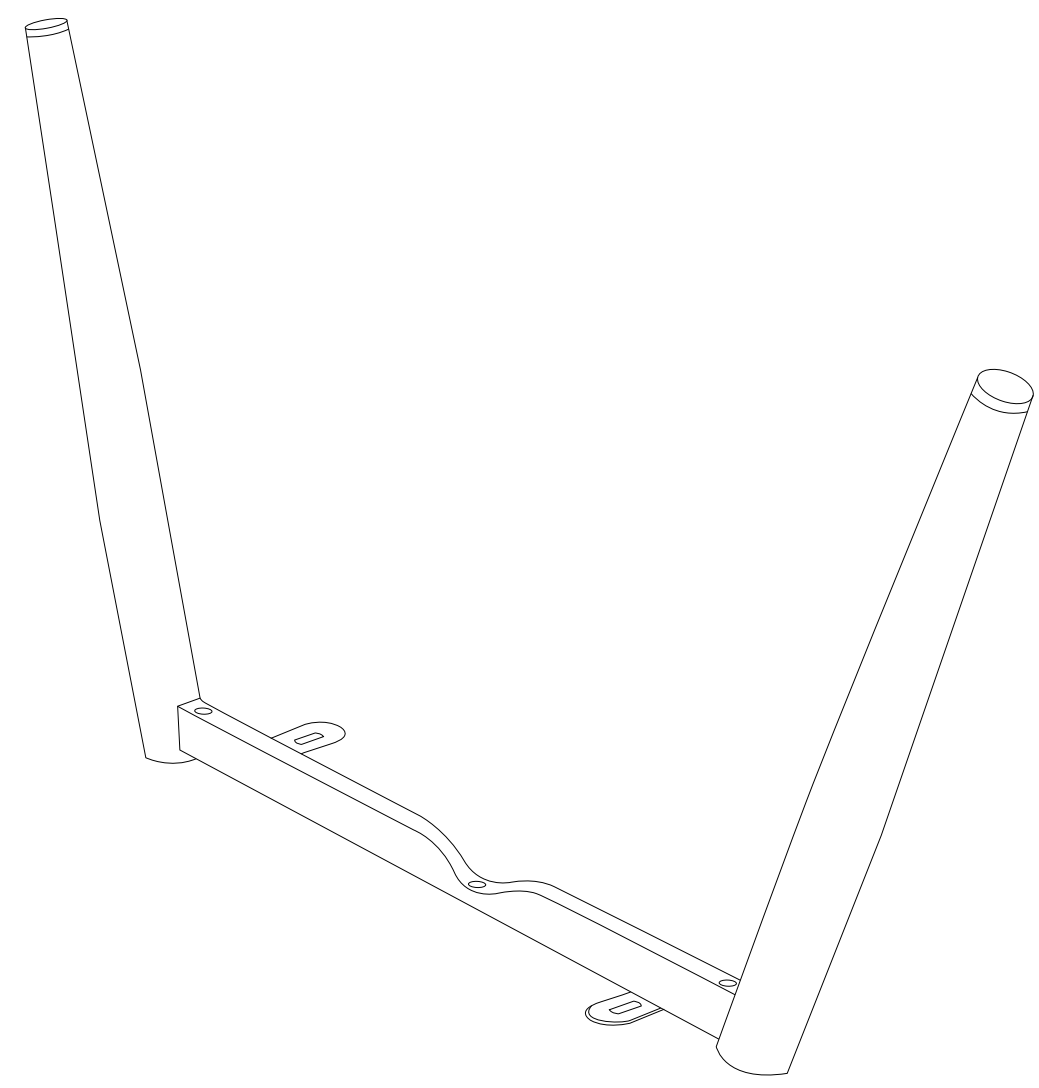
15 min

Assembly Time

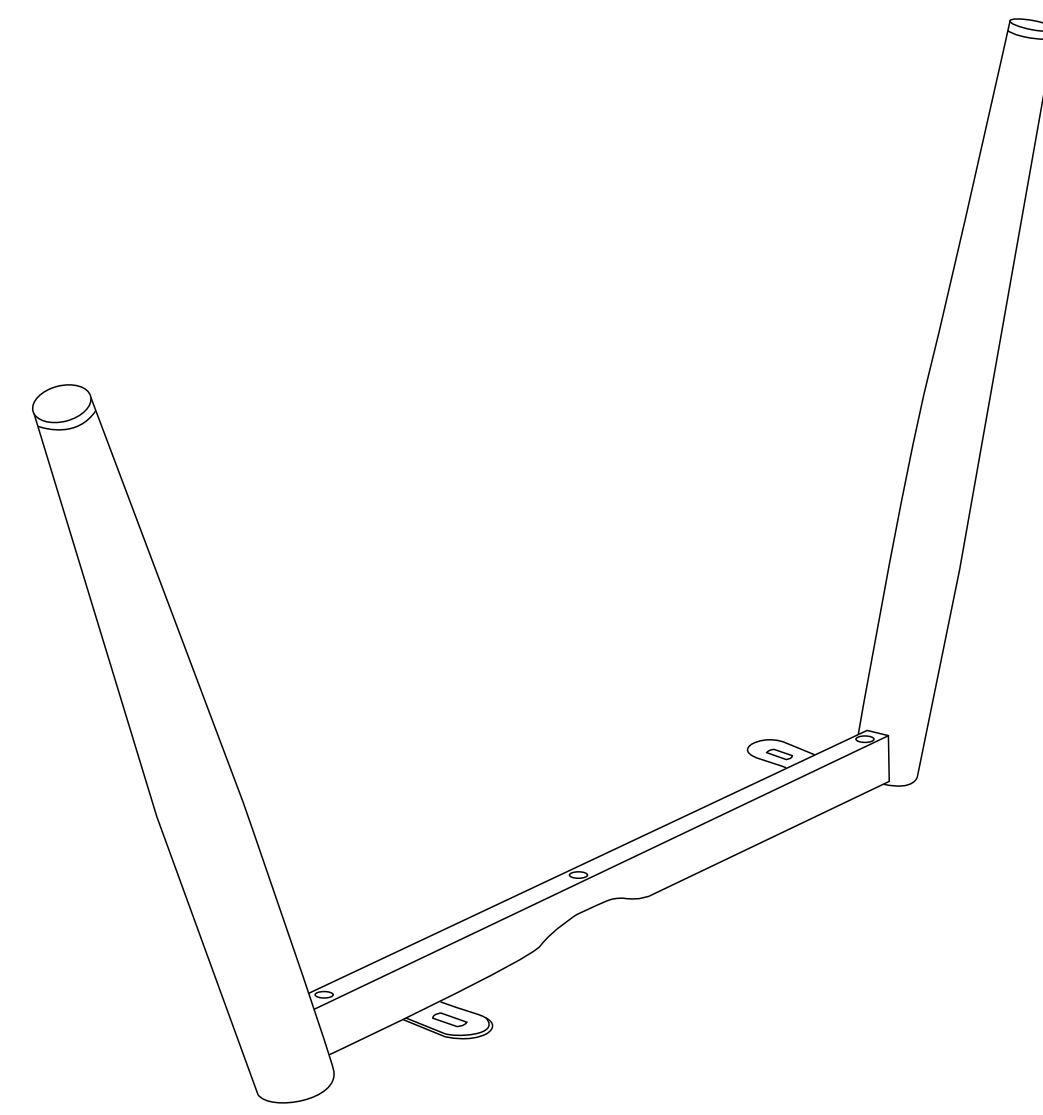


One People

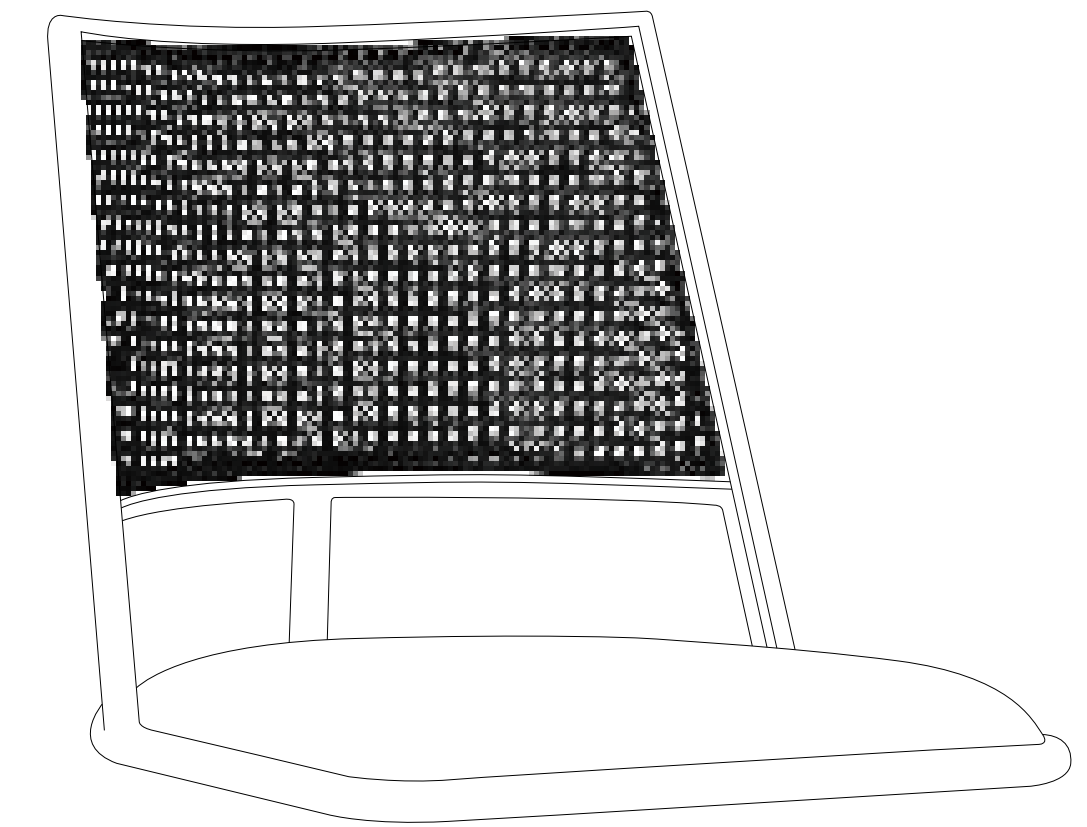
Note:The number after "+" sign indicates the extra piece(s).



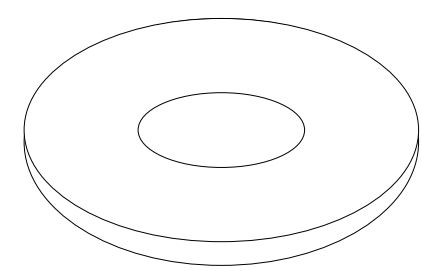
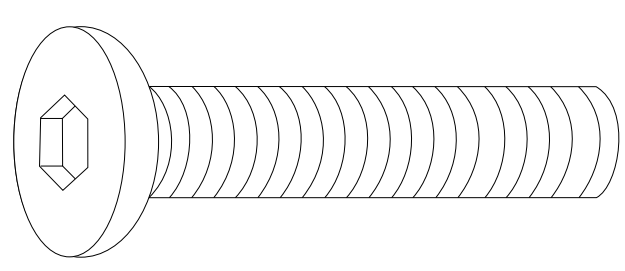

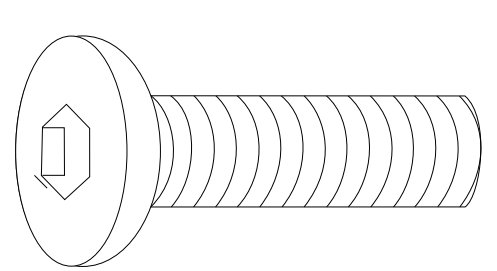
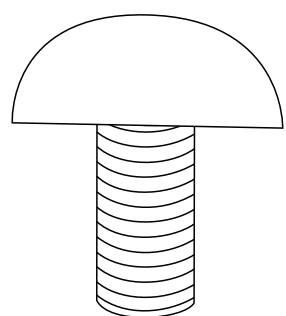
1
Right leg*1



2
Left leg*1



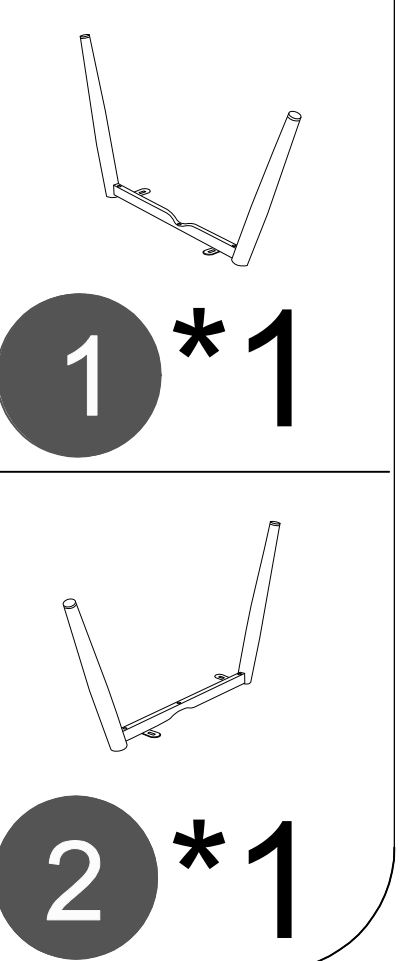
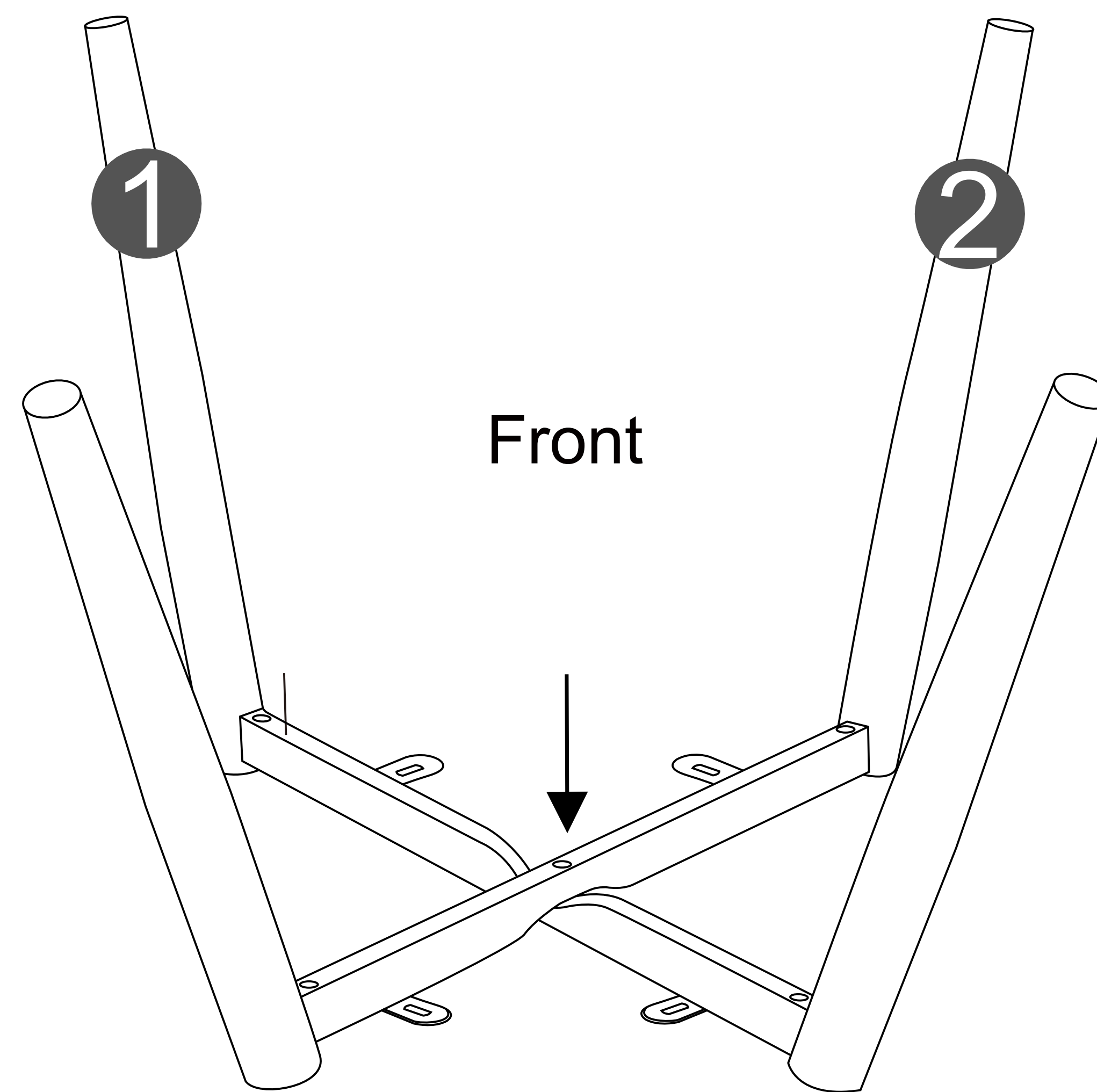
3
Seat cushion*1

A			B			C			D		
											
Washer	M6xΦ16x1.5mm	5+1	Bolt	M6x30mm	1+1	Allen wrench	#5	1	Bolt	M6x20mm	4+1
E											
											
Adjustable leg pad		4+1									

Assembly Instruction

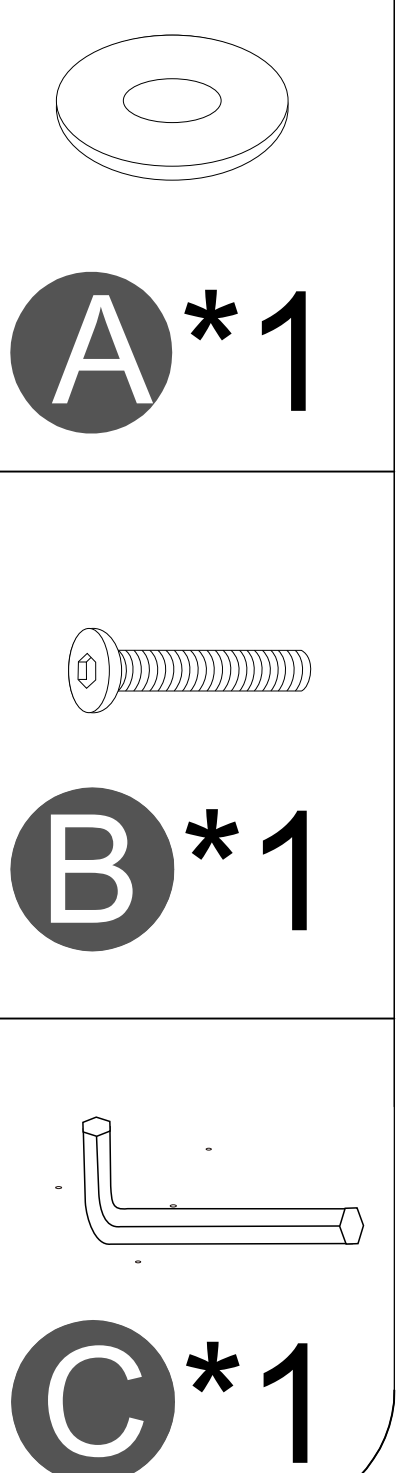
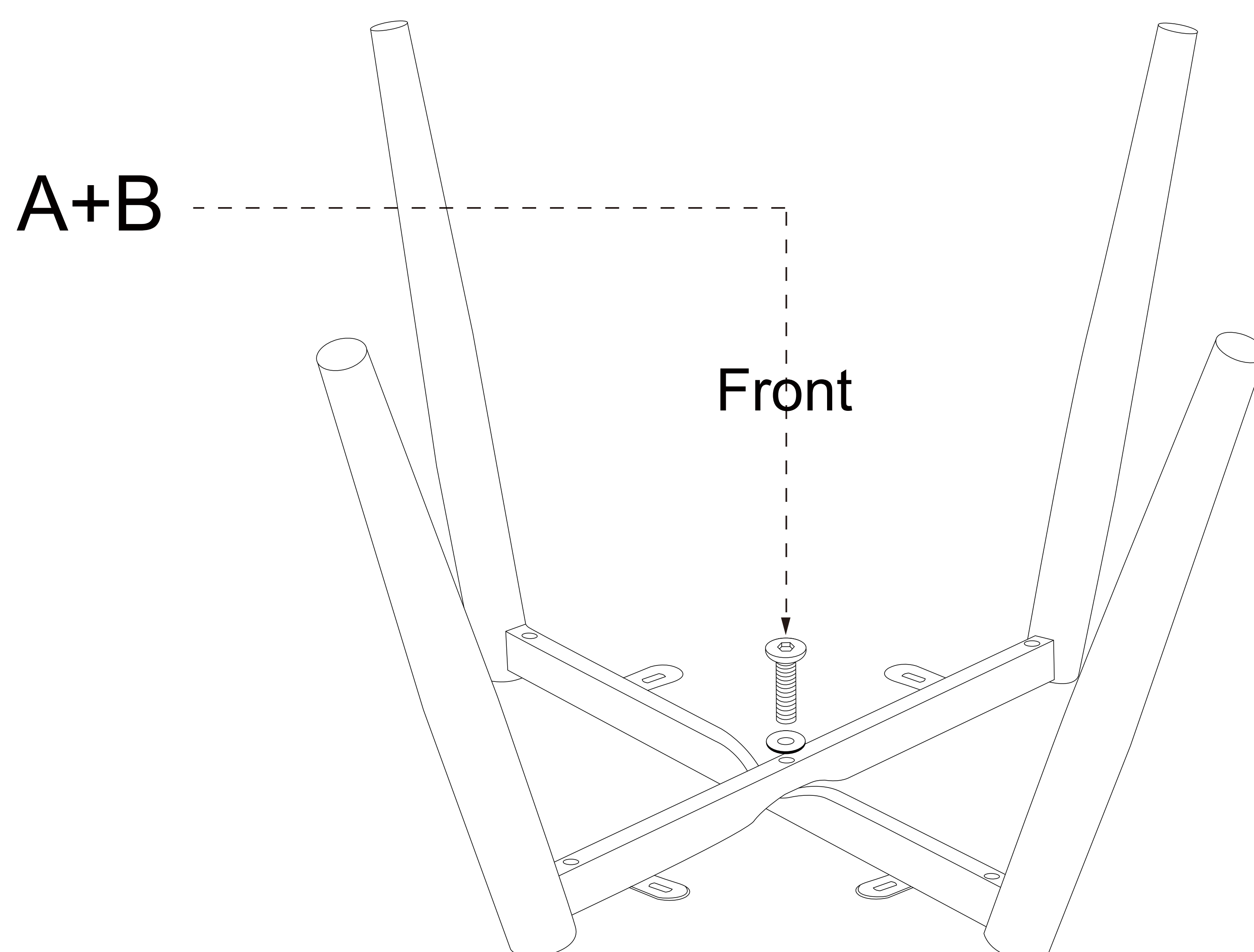
STEP 1

Put the right leg(1) and left leg together(2)



STEP 2

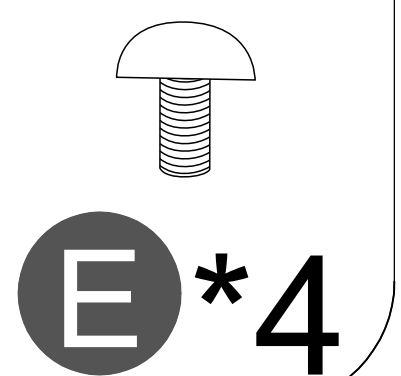
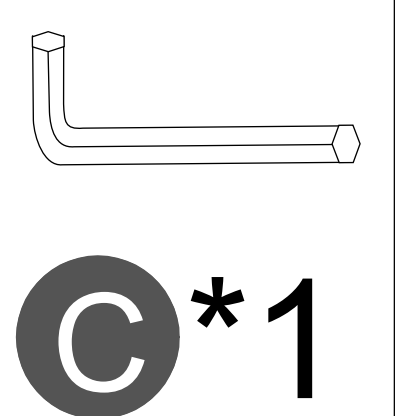
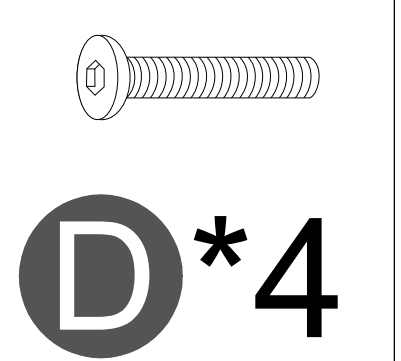
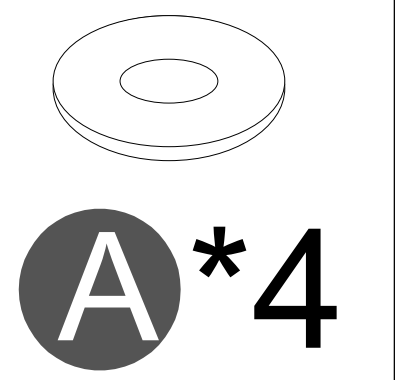
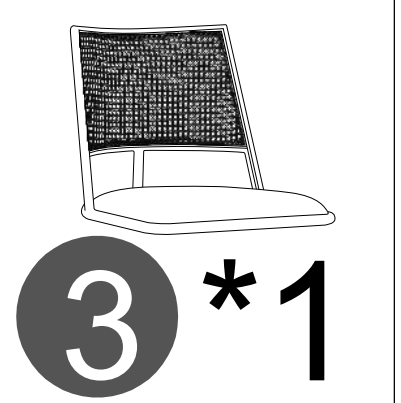
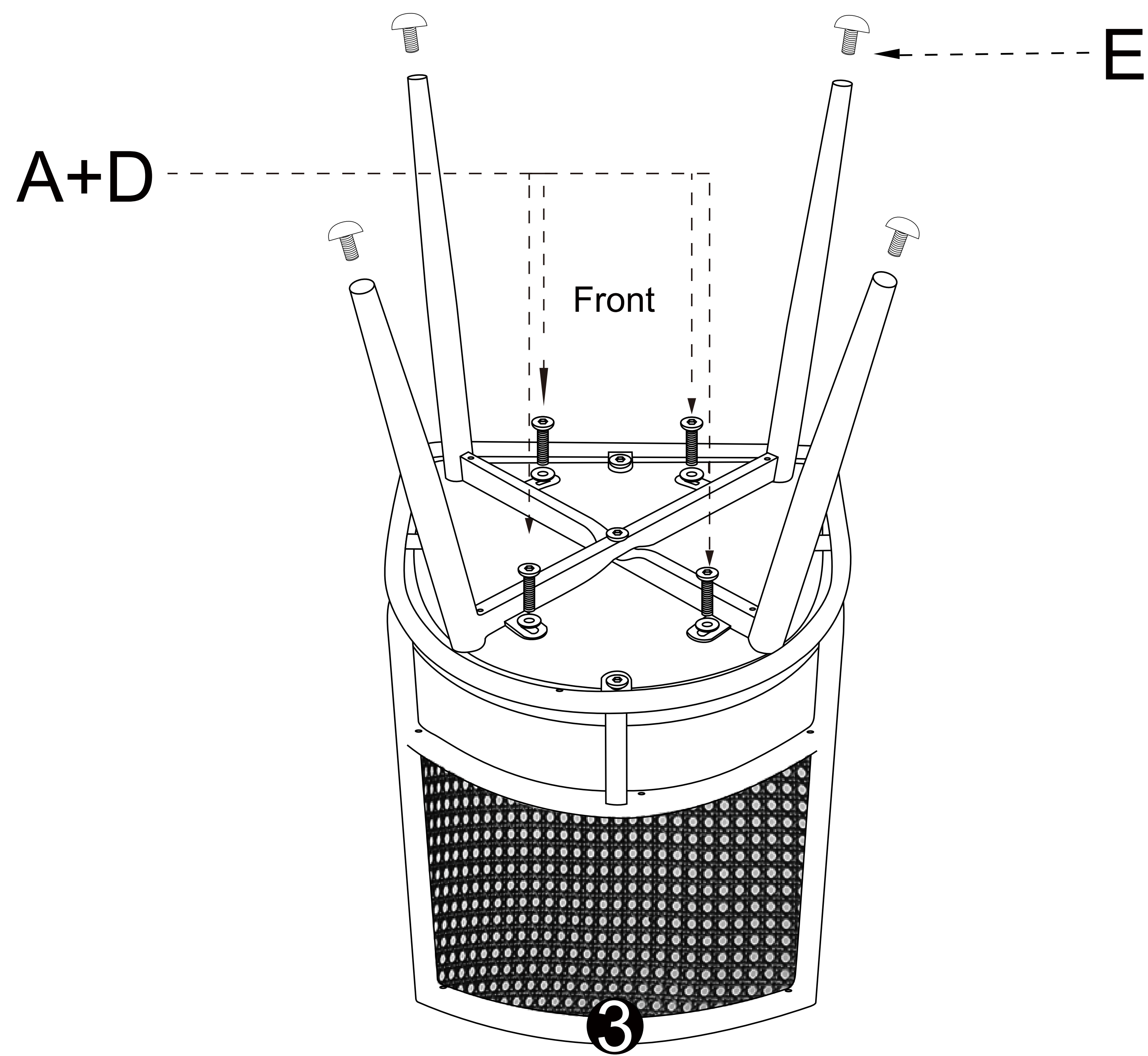
Attach the right leg(1) and left leg using washer(A), bolt(B) and Allen wrench(C)



Assembly Instruction

STEP 3

Attach seat cushion(3) to the legs using washer(A), bolt(D), and Allen wrench(C), then rotate the adjustable leg pads(E) into the legs.



STEP 4

Tighten all bolts completely. If you find the chair not level, please adjust by rotating the leg pads on the legs.

