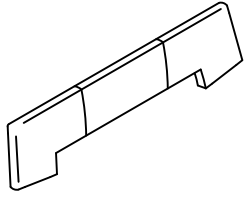


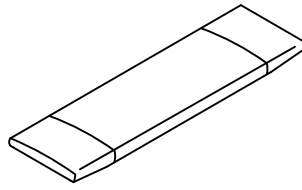
Product Assembly Instructions

Channell Bench

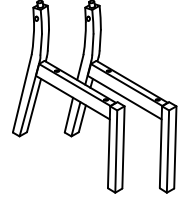
PART LIST



A : BACKREST x1



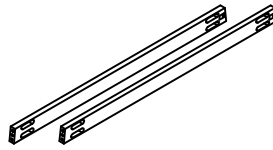
B : CUSHION SEAT x1



C : SIDE LEG (L & R) x2



D : SUPPORT x1



E : BOTTOM RAIL x2

HARDWARE LIST



F : JCBC SCREW M6 x 45mm x5



G : JCBC SCREW M6 x 50mm x8



H : JCBC SCREW M6 x 70mm x4



I : JCBC (W) SCREW M7 x 50mm x2



J : SPRING WASHER 1/4" x17



K : WOOD BUTTON 14.5mm x2



L : M4 ALLEN KEY (BALL SHAPE) LONG x1

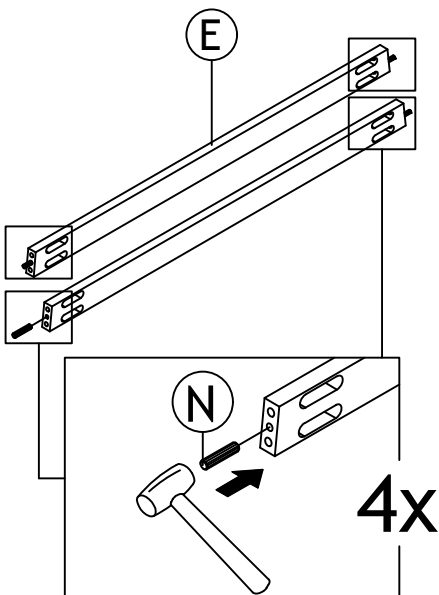


M : WOOD DOWEL DIA 12 x 40MM x4



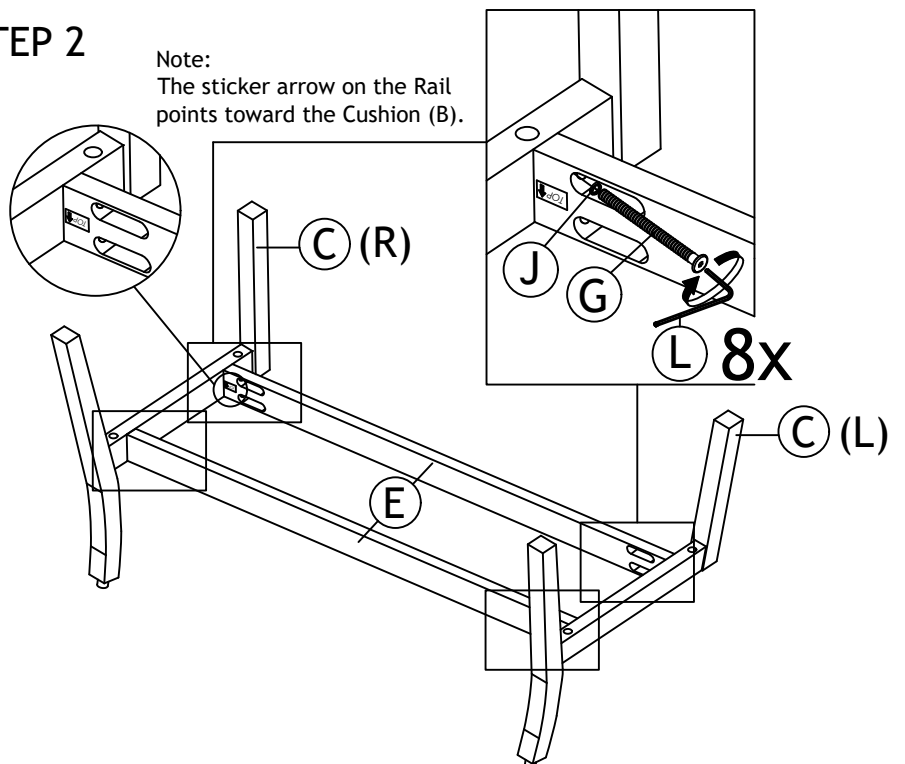
N : WOOD DOWEL DIA 8 x 35MM x4

STEP 1

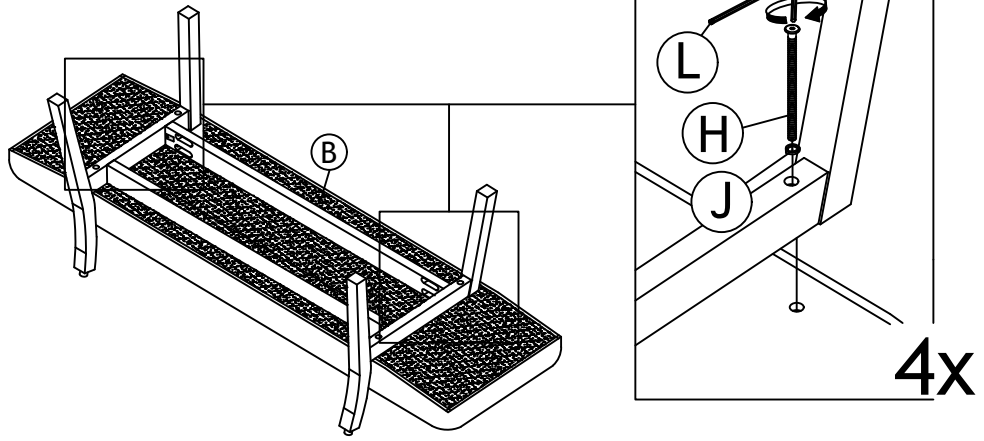


STEP 2

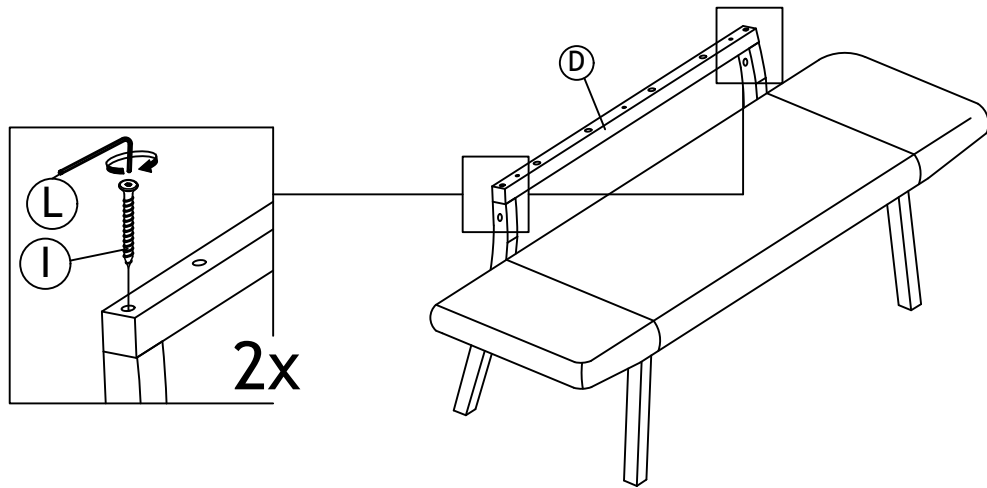
Note:
The sticker arrow on the Rail points toward the Cushion (B).



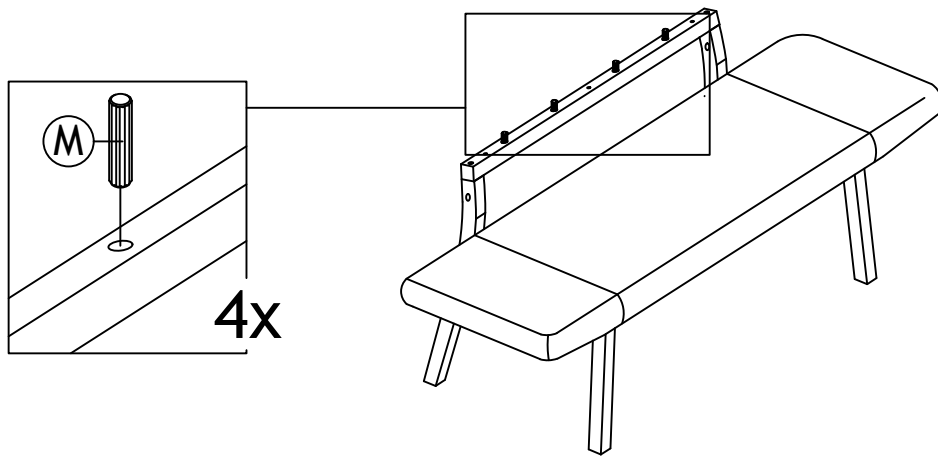
STEP 3



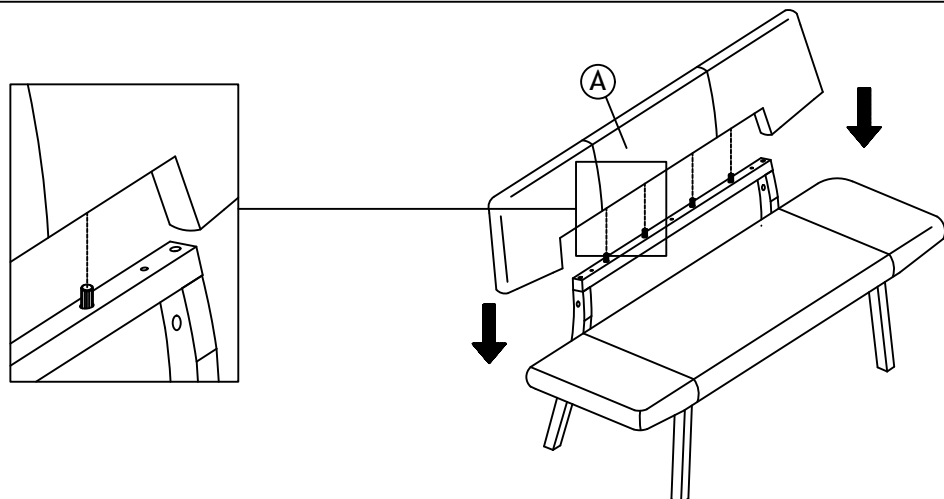
STEP 4



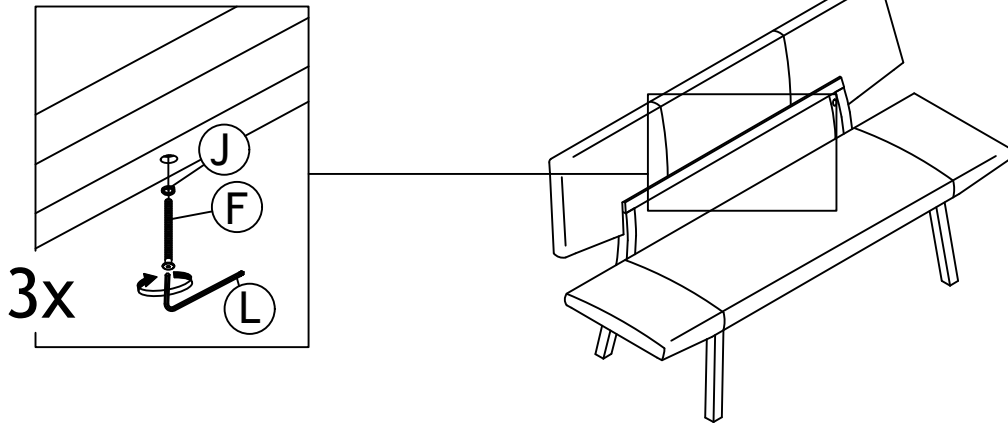
STEP 5



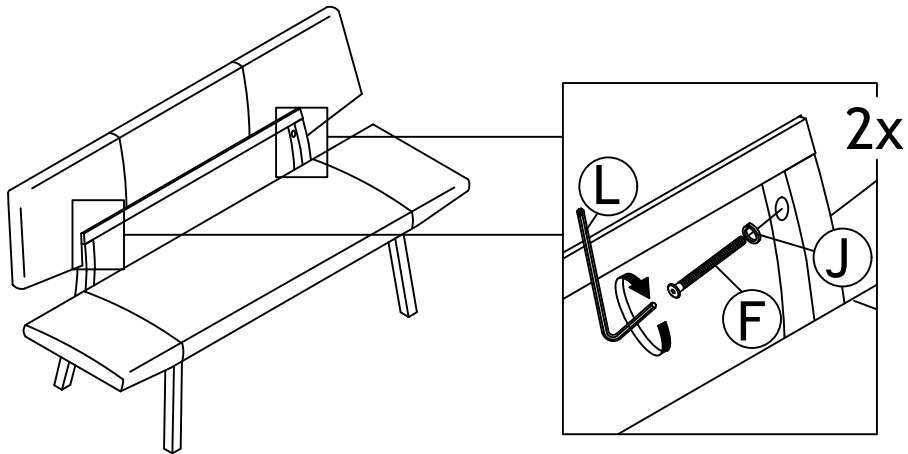
STEP 6



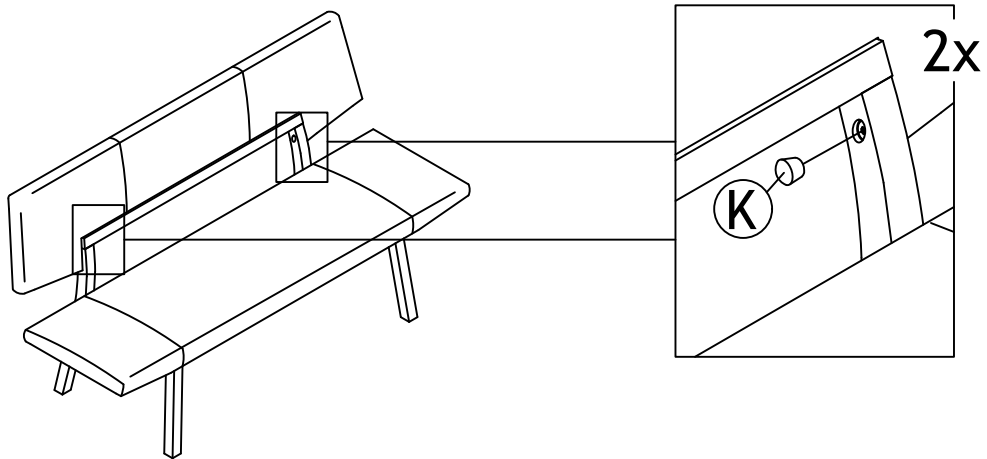
STEP 7



STEP 8



STEP 9



ASSEMBLY IS COMPLETE

