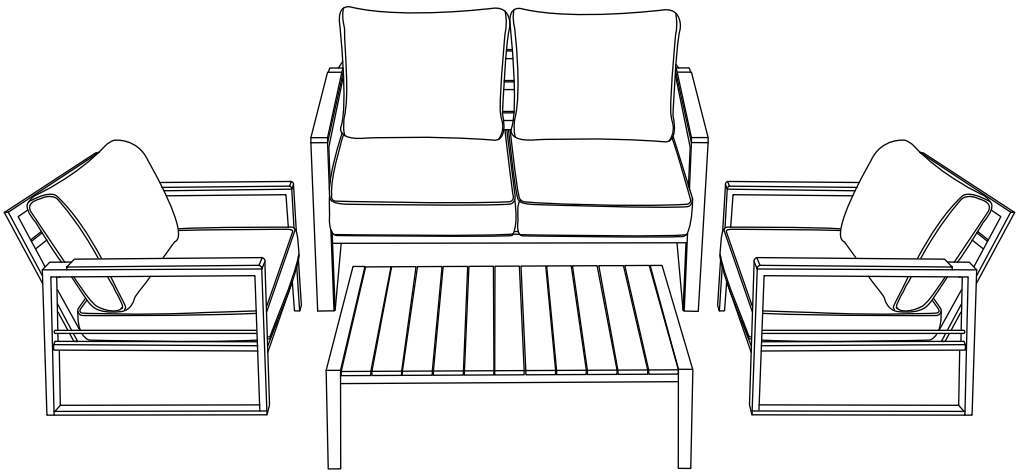


## 4 PIECE METAL FURNITURE SET



**After-sales mailbox:**  
**[Patiofurniture Serviceteam@outlook.com](mailto:Patiofurniture Serviceteam@outlook.com)**

# NOTICE

---

**Please keep these instructions for future reference.**

**Dear Customer**

- Thank you for your purchase. When you receive the product, please make sure that all the parts are intact. Then follow the entire installation instructions to install!
- Please install under viewing the instruction, if you have some problem below, contact our customer service first.
  - A . The outer box is damaged
  - B . The product is damaged / bent / cracked while you open the box
  - C . The parts / accessories / assembly tools are missing
  - D . The instructions are not clear and can not be referred
  - E . The product has functional problems
  - F . Other aspects that you are not satisfied with

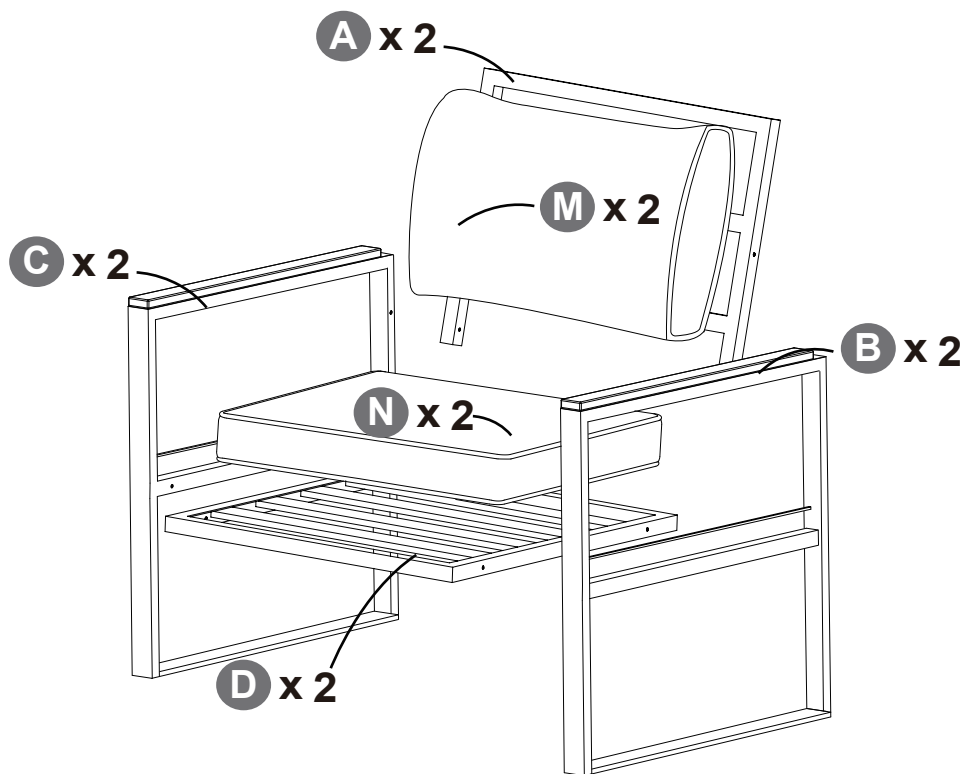
Please feel free to contact us for help. Our after-sales team service


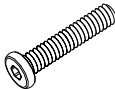
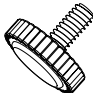
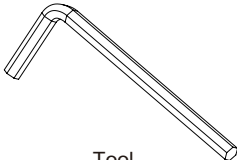
([Patiofurniture Serviceteam@outlook.com](mailto:Patiofurniture Serviceteam@outlook.com)) will reply within 24 hours and will do our best to resolve the problem for you.



**! When installing furniture, please do not tighten the screws all the way in one step (up to 60% is sufficient). Align all the holes first and gradually tighten them.**

# PART LIST

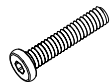


<p><b>1</b></p>  <p>M6*32MM</p> <p>x 8</p>	<p><b>2</b></p>  <p>M6*38MM</p> <p>x 8</p>	<p><b>3</b></p>  <p>x 8</p>
<p><b>4</b></p>  <p>Tool</p> <p>x 1</p>	<p>2</p>	

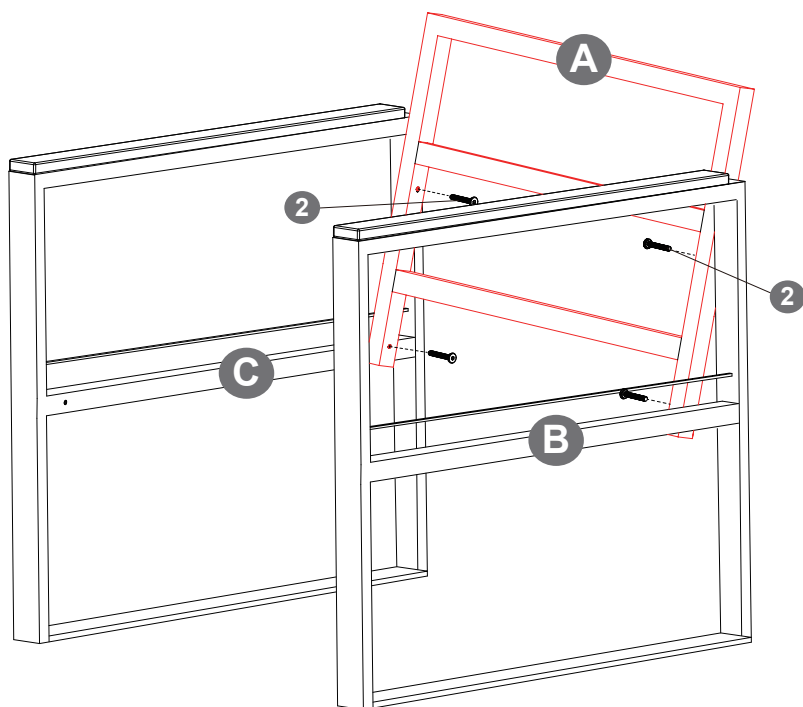
# STEP

1

2



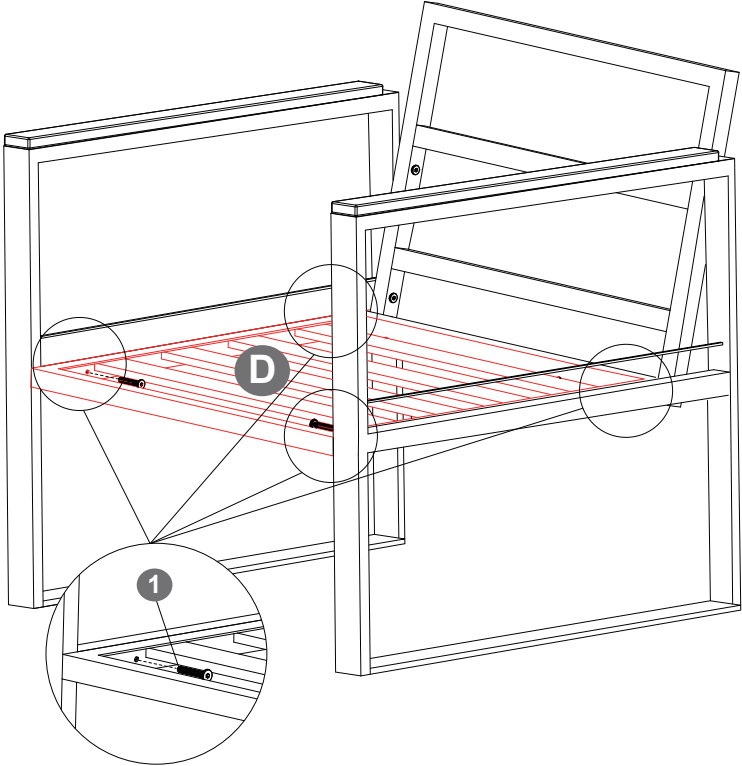
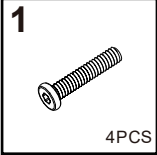
4PCS



3

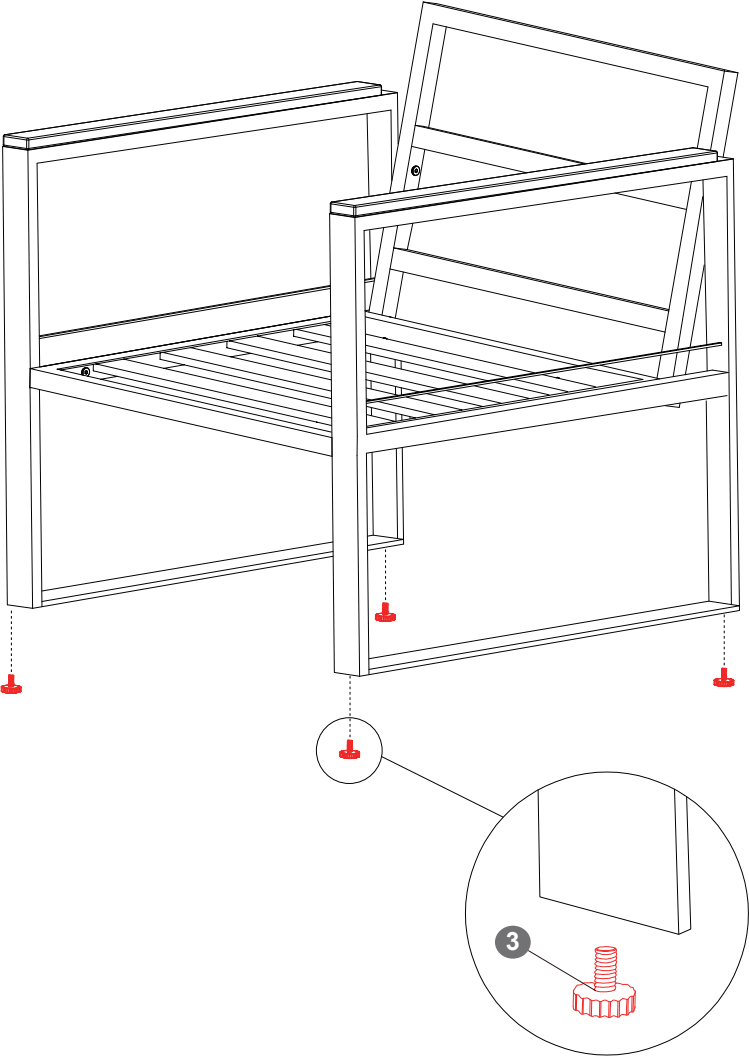
# STEP

2

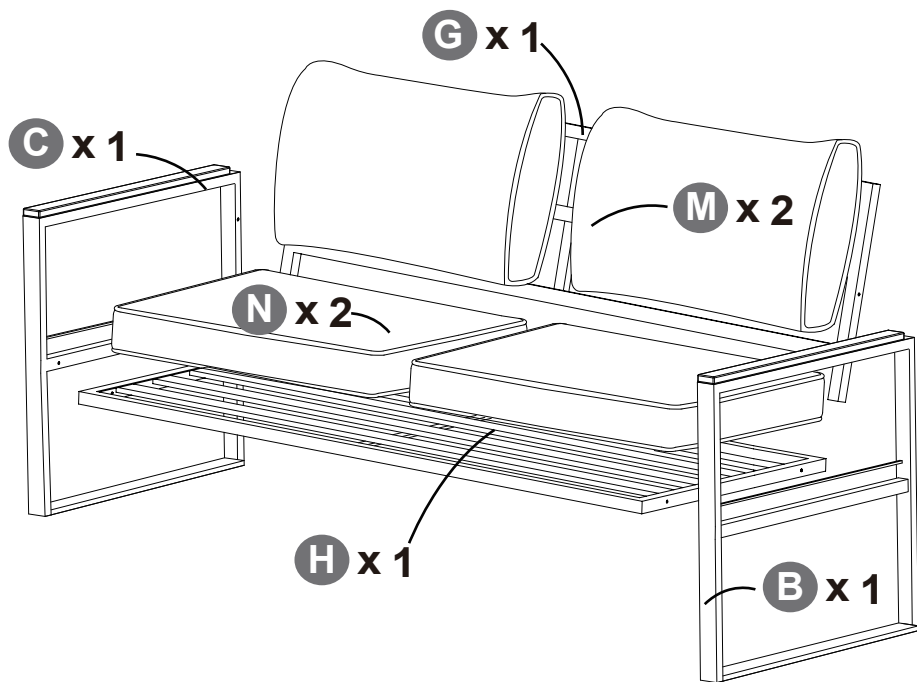



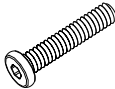
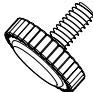
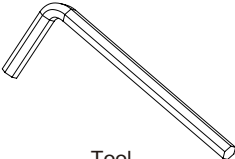
# STEP

3



# PART LIST

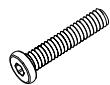


<p><b>1</b></p>  <p>M6*32MM</p> <p>x 4</p>	<p><b>2</b></p>  <p>M6*38MM</p> <p>x 4</p>	<p><b>3</b></p>  <p>x 4</p>
<p><b>4</b></p>  <p>Tool</p> <p>x 1</p>		

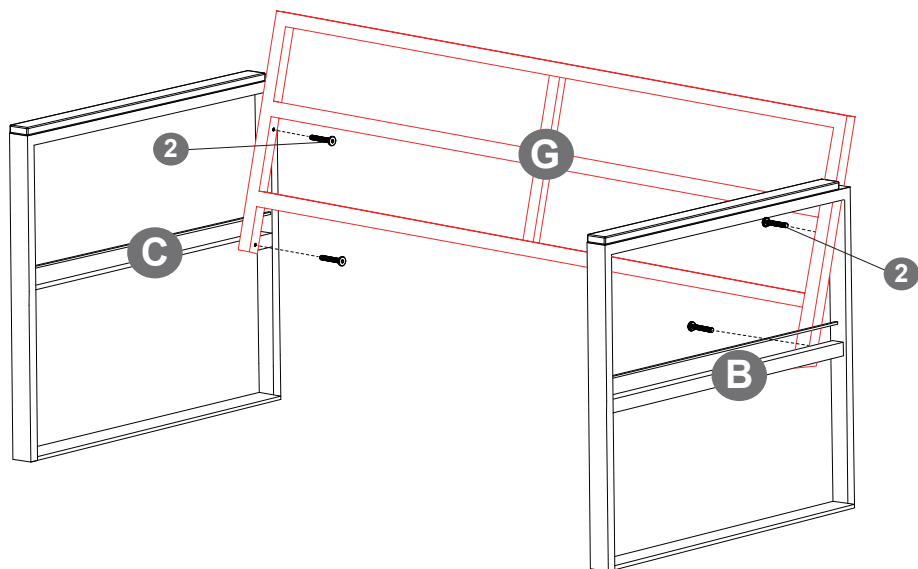
# STEP

1

2

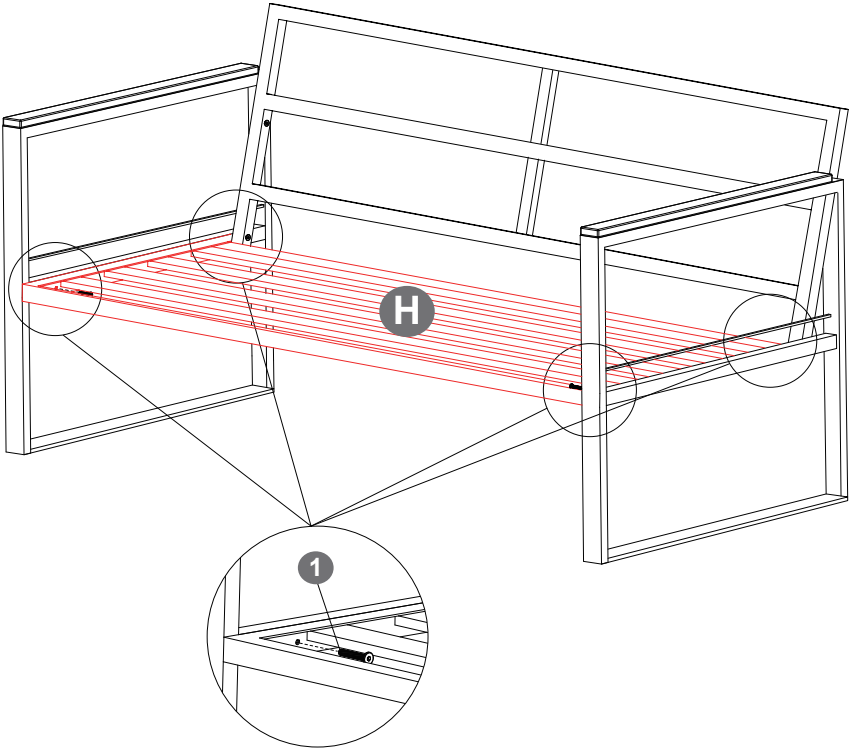
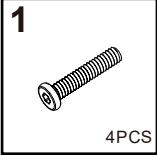


4PCS



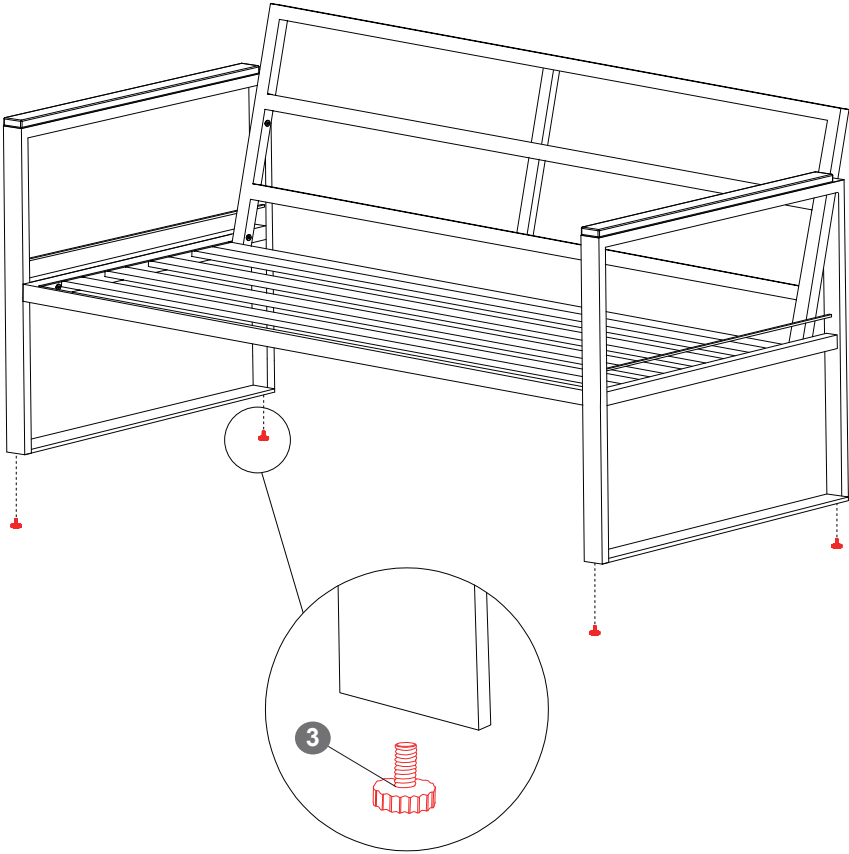
# STEP

2

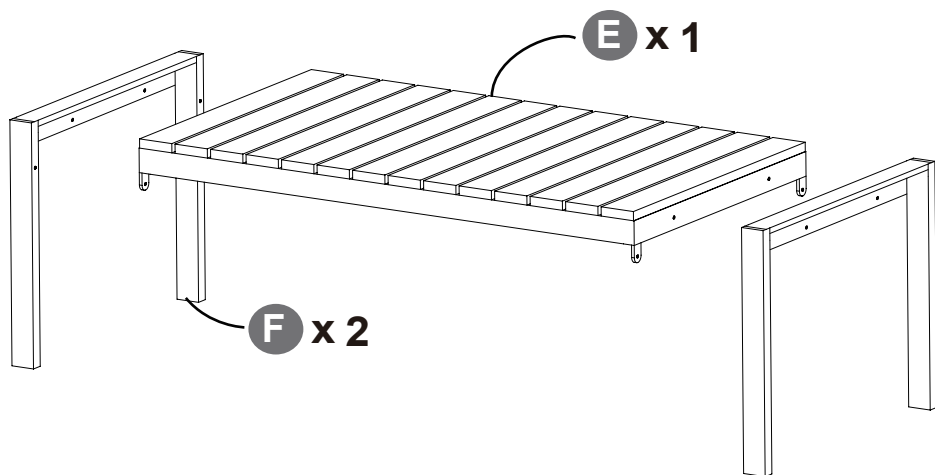


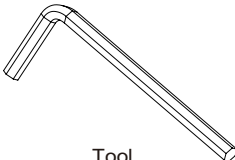


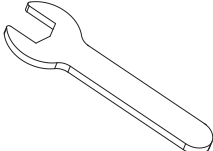

# STEP

3



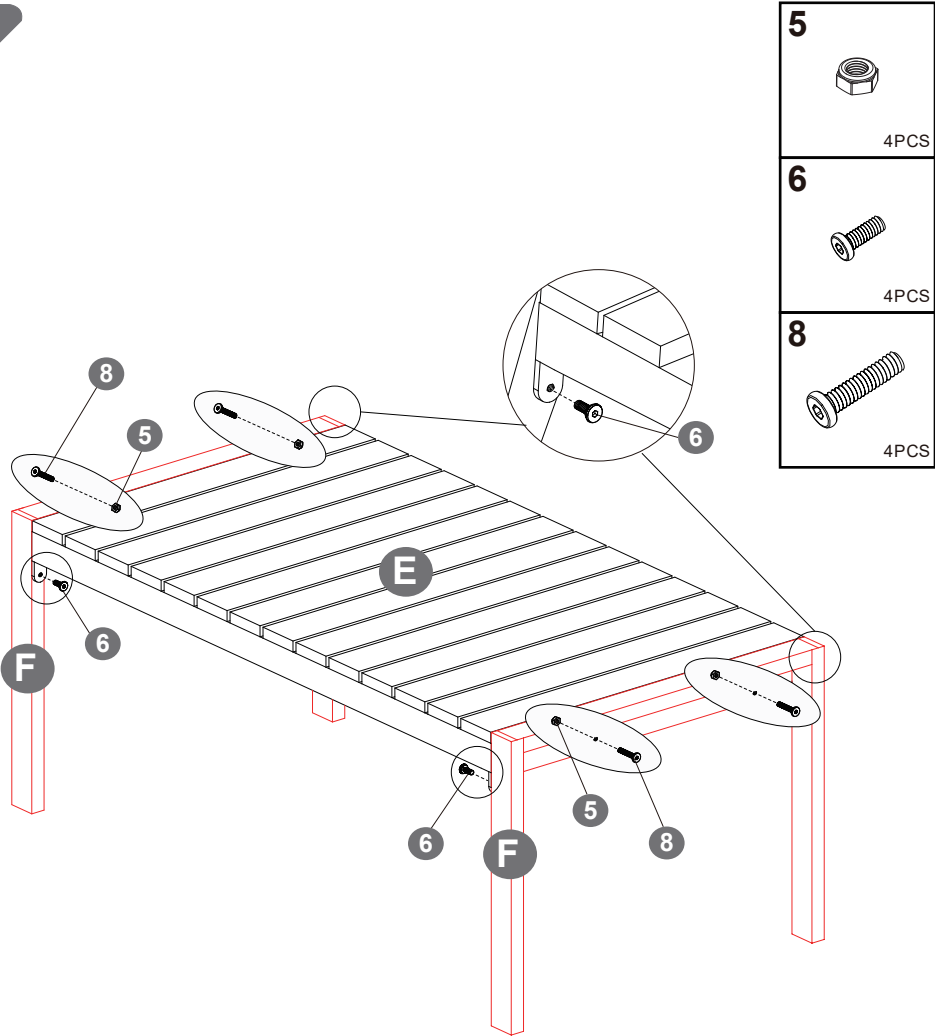
# PART LIST



<p>4</p>  <p>Tool</p> <p>x 1</p>	<p>5</p>  <p>x 4</p>	<p>6</p>  <p>M6*15MM</p> <p>x 4</p>
<p>7</p>  <p>x 1</p>	<p>8</p>  <p>M6*35MM</p> <p>x 4</p>	

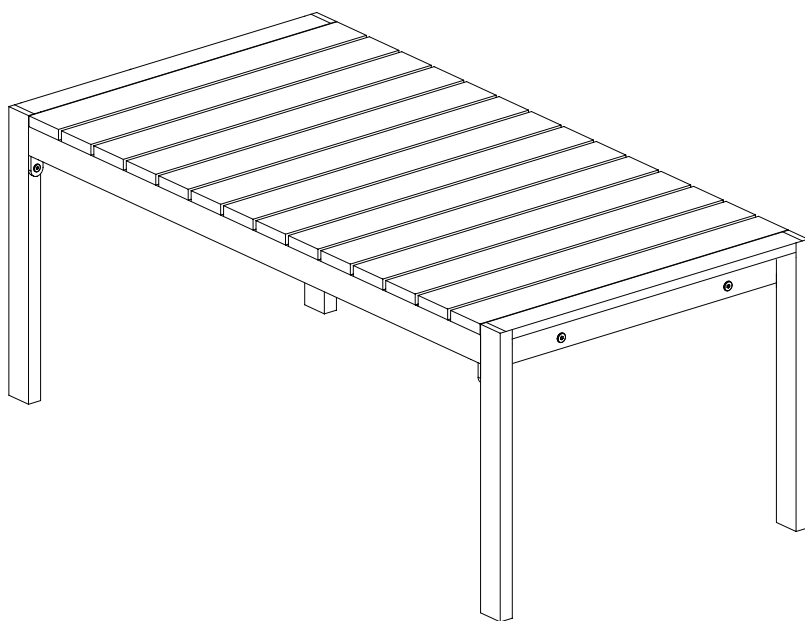
# STEP

1



# STEP

2



## AFTER-SALE SERVICE

If you have any suggestions for our products or find that the products have quality problems, please contact us first, our after-sales team will reply you within 24 hours, and we will do our best to give you solutions until you are satisfied.

### Guaranteed Customer Service

Your shopping experience is very important to us!  
Feel unsatisfied? **Contact us!**

Have any questions? such as **MISSING PARTS** or **DAMAGED PRODUCTS? Contact us!**

Wanna Share how wonderful our smart promakes your home?

Share your pictures with us.

Any suggestions? **Contact us!**

We gotcha back!



**Patiofurniture Serviceteam@outlook.com**

