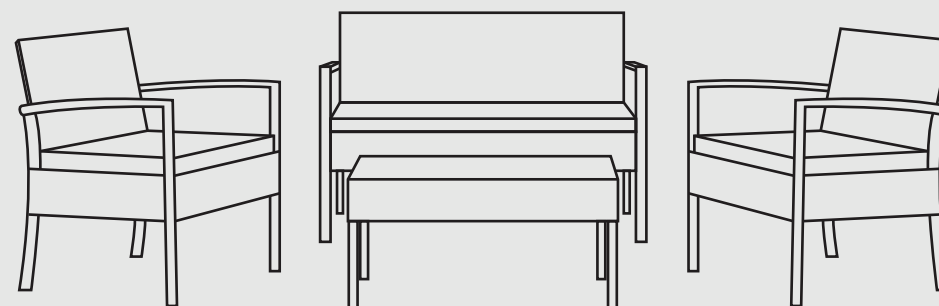


Model: \_\_\_\_\_

Lot No: \_\_\_\_\_

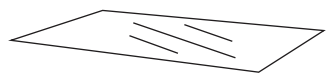
Date of Purchase: \_\_\_\_\_



**WARNING:** This product may contain small components, please ensure they are kept away from small children.

## PARTS AND HARDWARE (Coffee Table)

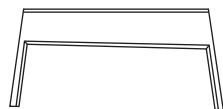
Avoid using sharp objects such as a knife to cut open packing as you may accidentally damage the upholstery.



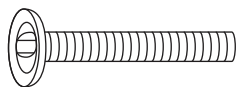
A. Glass Table Top  
1x



B. Side Panel  
2x



C. Front / Back Panel with Legs  
2x



D. Bolt M6 x30  
8x

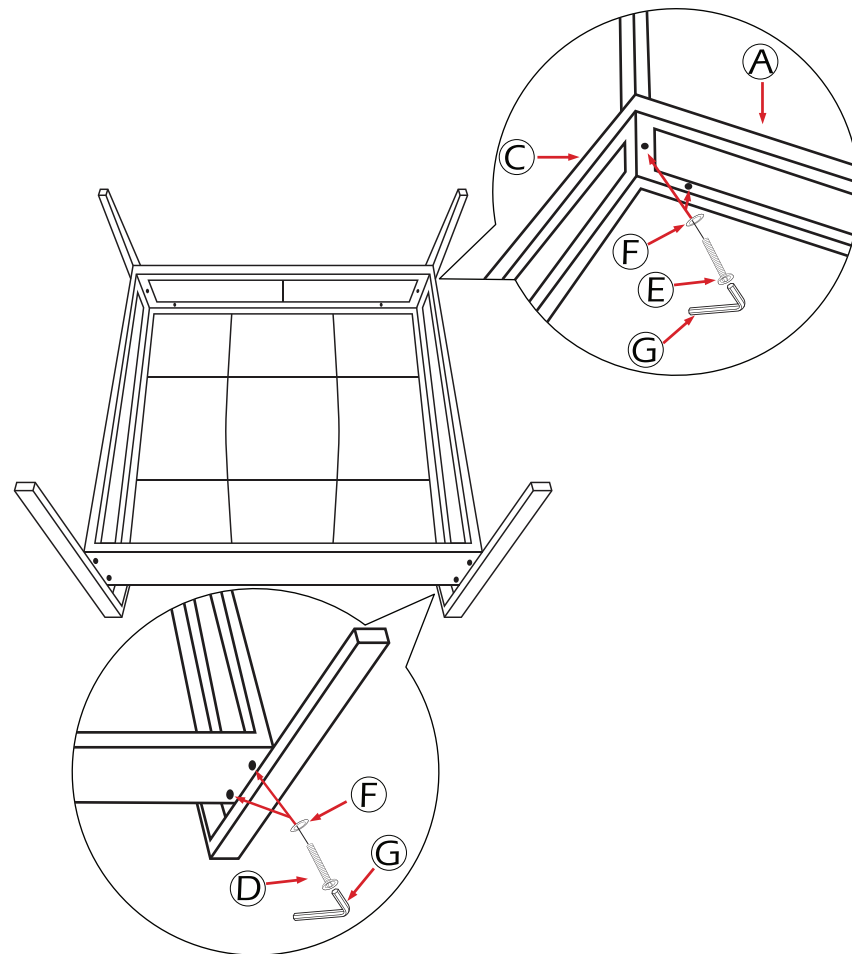


E. Washer  
8x

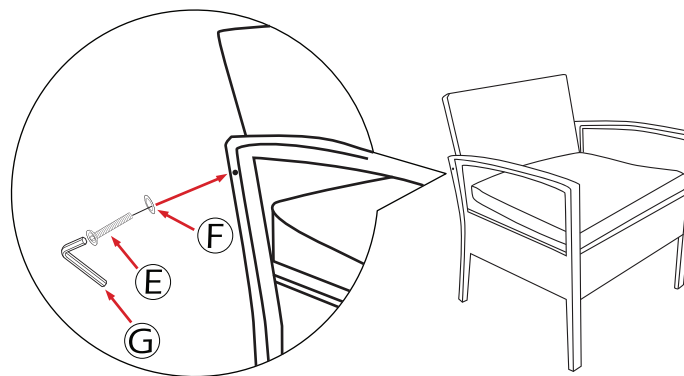


F. Allen Key  
1x

# 1

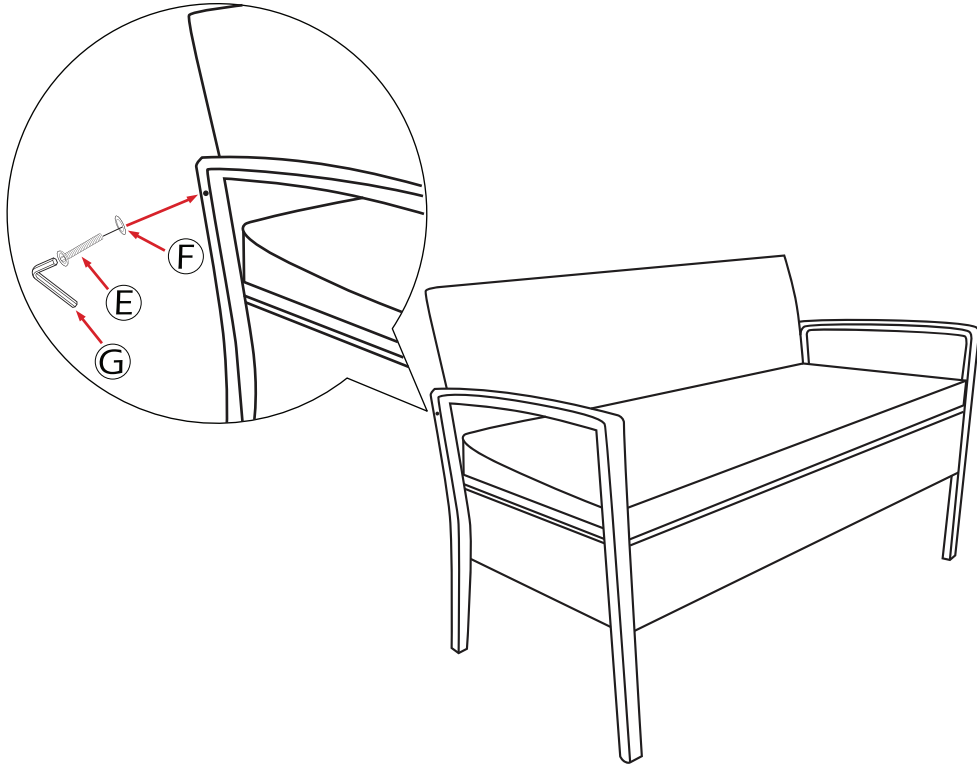


# 2



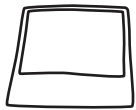
\*Repeat steps 1-2 for the second Single Seater.

2

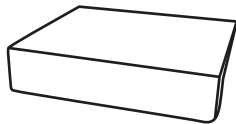


**PARTS AND HARDWARE (Chair)**

Avoid using sharp objects such as a knife to cut open packing as you may accidentally damage the upholstery.



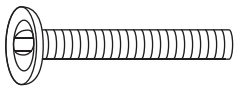
A. Backrest  
1x



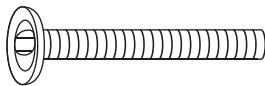
B. Seat  
1x



C. Arm  
2x



D. Bolt M6 x 30  
4x



D. Bolt M6 x 35  
6x



E. Washer  
11x

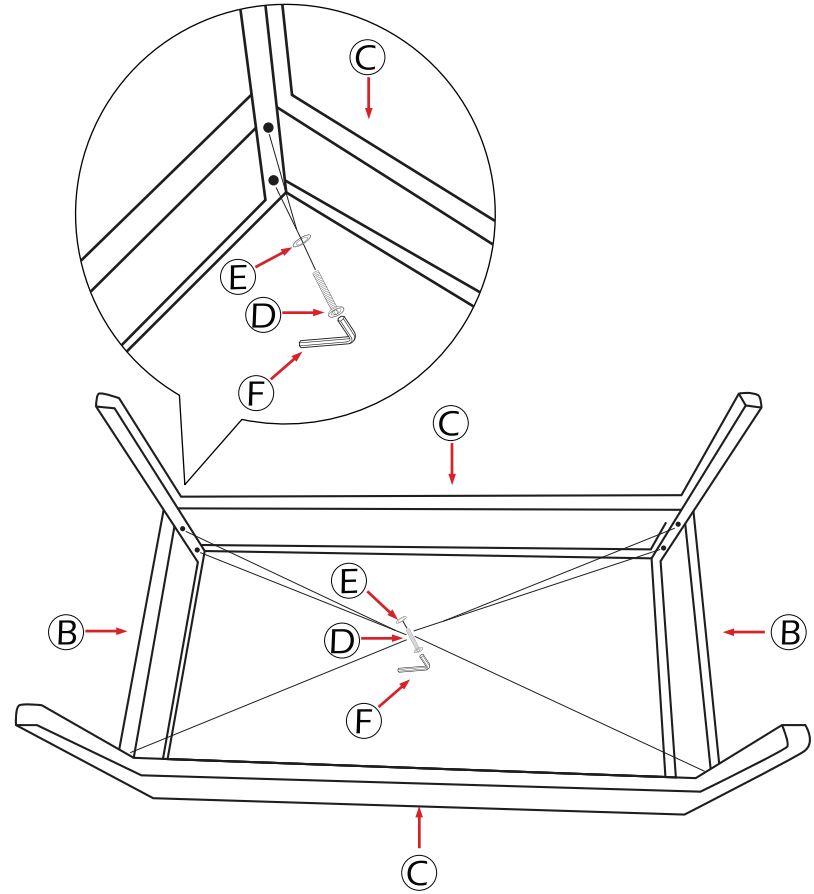


F. Allen Key  
1x

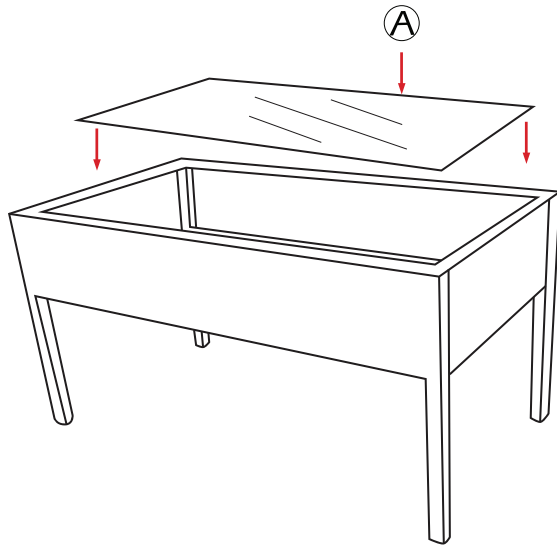
1

**ASSEMBLY INSTRUCTIONS (Coffee Table)**

Do not fully tighten bolts until assembly is complete.



## 2 Place glass Table top on assembled coffee table



### PARTS AND HARDWARE (Loveseat)

Avoid using sharp objects such as a knife to cut open packing as you may accidentally damage the upholstery.



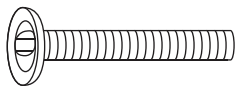
A. Backrest  
1x



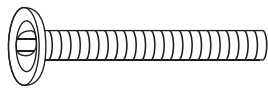
B. Seat  
1x



C. Arm  
2x



D. Bolt M6 x 30  
4x



D. Bolt M6 x 35  
7x



E. Washer  
11x



F. Allen Key  
1x

