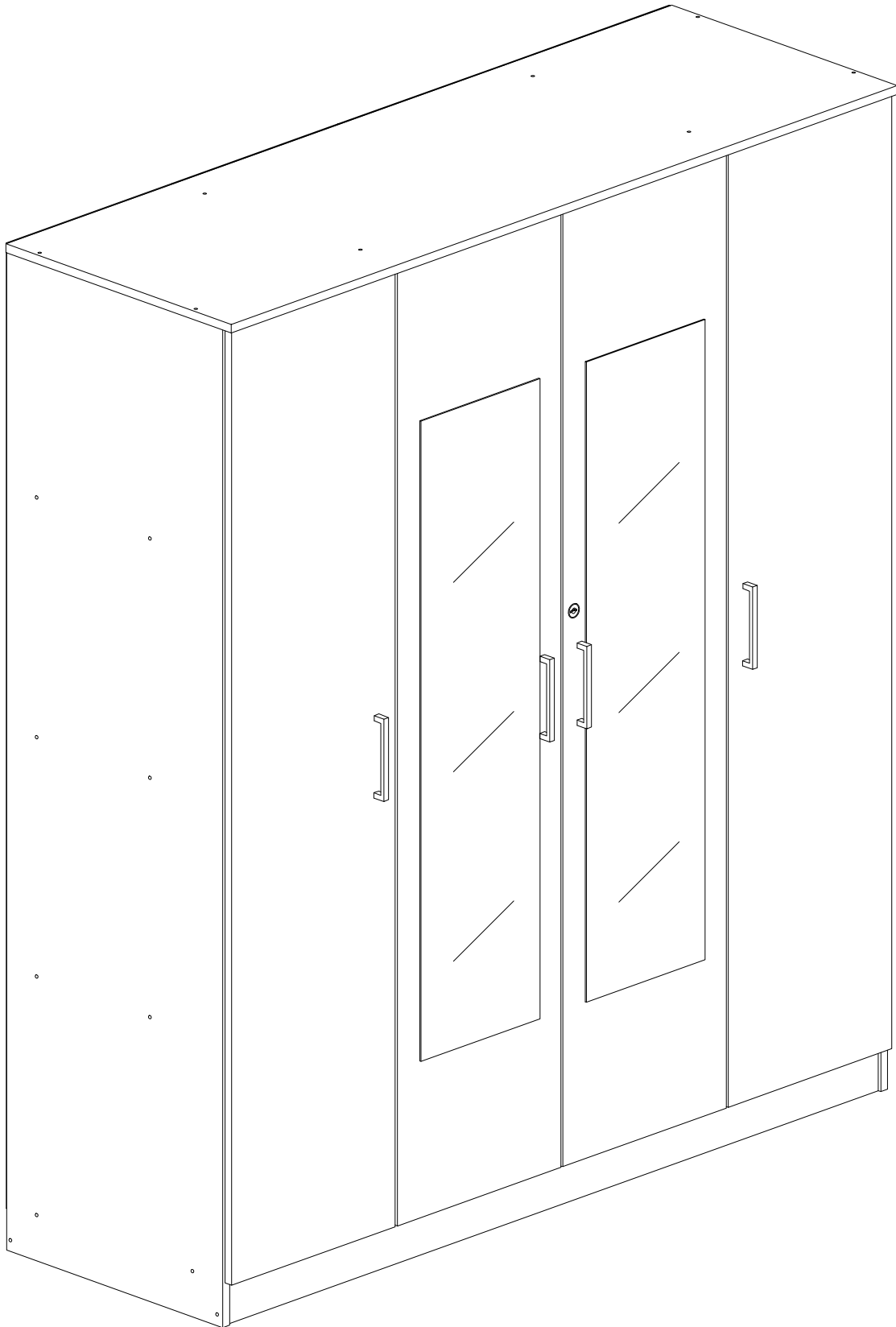
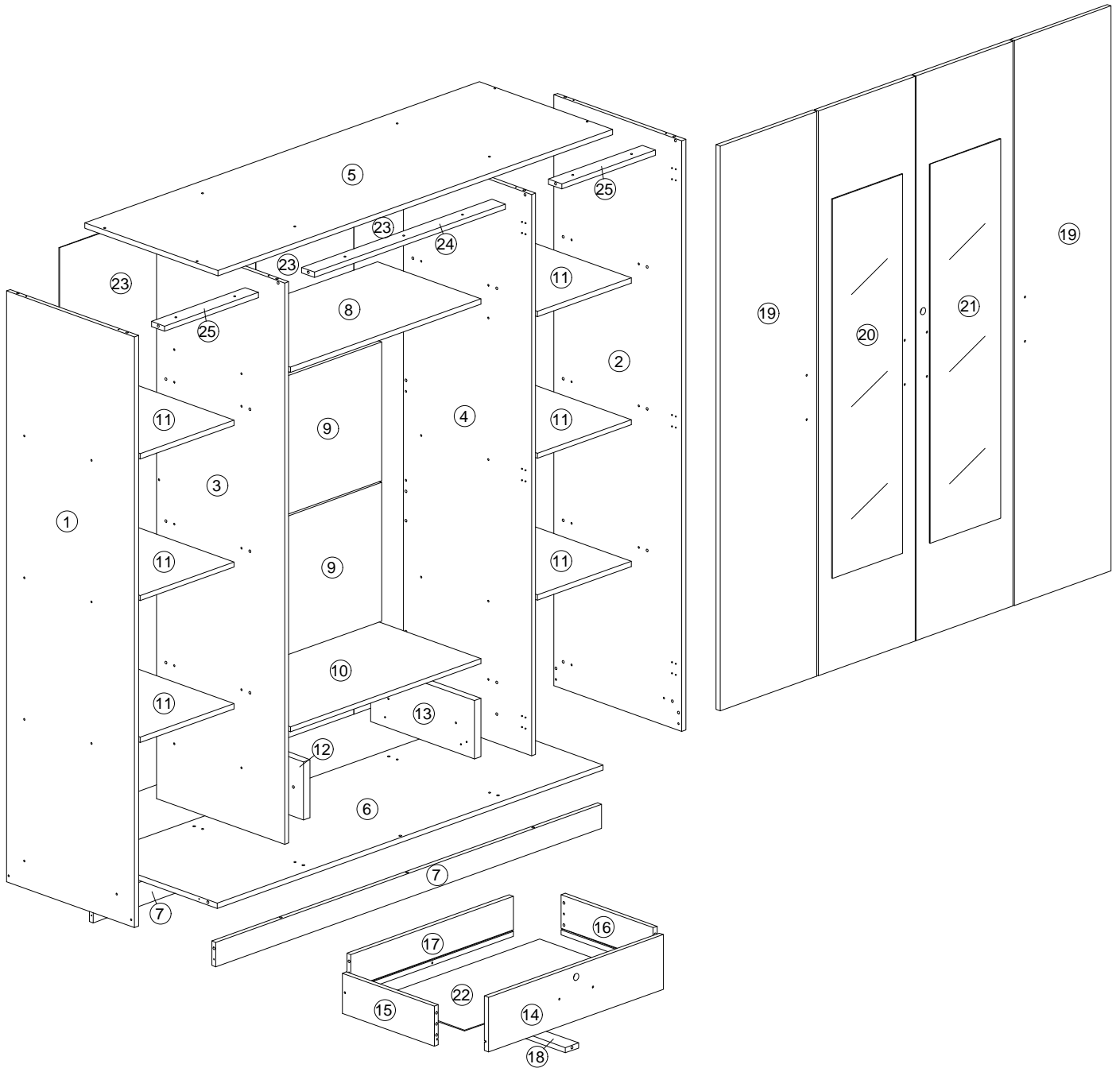


Assembly Instruction



Assembly Instruction

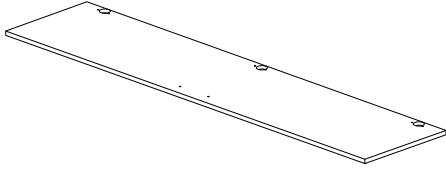
Detail :



Assembly Instruction

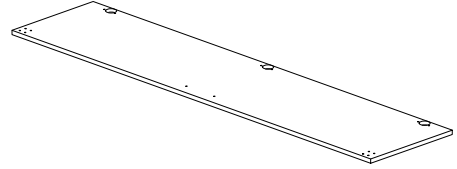
Part List

①9 X 2



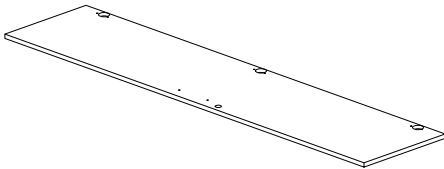
Door Panel Left & Right

②0 X 1



Door Panel Center Left

②1 X 2

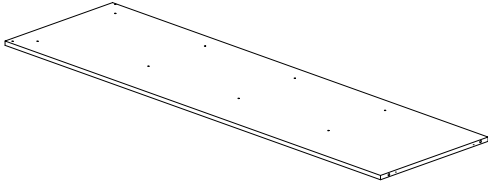


Door Panel Center Right

Assembly Instruction

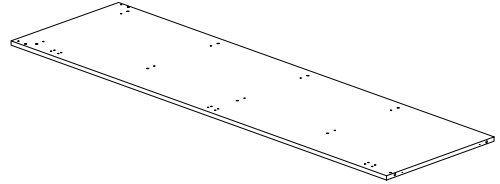
Part List

① X 1



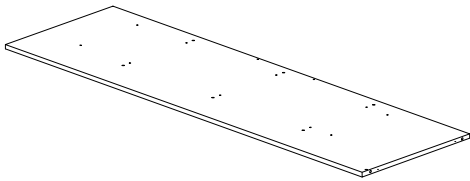
Side Panel Left

② X 1



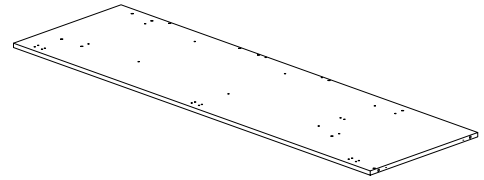
Side Panel Right

③ X 1



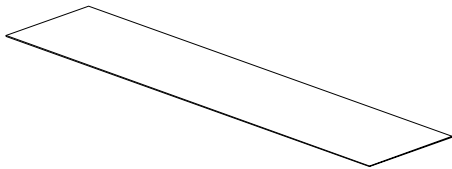
Center Panel Left Big

④ X 1



Center Panel Right Big

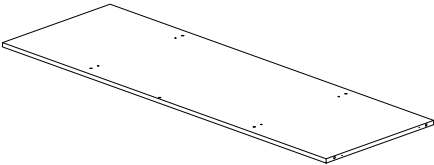
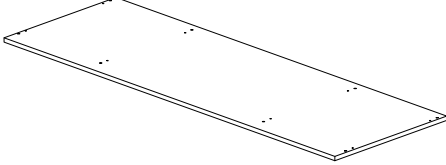
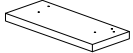

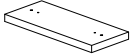
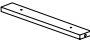
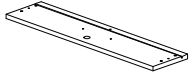

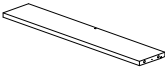

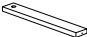
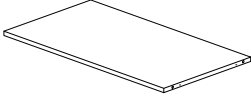

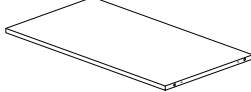
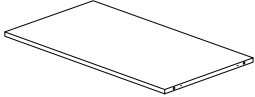
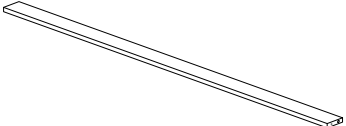
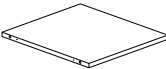
⑳ X 4



Back Panel


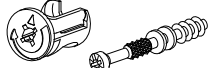
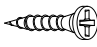


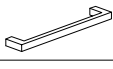


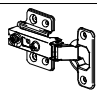
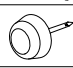

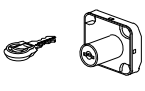
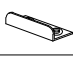
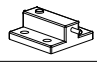

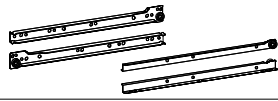

Assembly Instruction

Part List


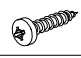
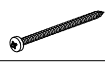

<p>⑥ X 1</p>  <p>Bottom Panel</p>	<p>⑤ X 1</p>  <p>Top Panel</p>
<p>⑫ X 1</p>  <p>Center Small Support Right</p>	<p>⑳ X 1</p>  <p>Center Support Panel</p>
<p>⑬ X 1</p>  <p>Center Small Support Left</p>	<p>㉕ X 2</p>  <p>Top Support Panel</p>
<p>⑭ X 1</p>  <p>Drawer Front Panel</p>	<p>⑮ X 1</p>  <p>Drawer Side Panel Left - Down</p>
<p>⑰ X 1</p>  <p>Drawer Back Panel</p>	<p>⑯ X 1</p>  <p>Drawer Side Panel Right - Down</p>
<p>⑱ X 1</p>  <p>Drawer Support Panel</p>	<p>⑩ X 1</p>  <p>Partition Center Bottom</p>
<p>㉒ X 1</p>  <p>Drawer Bottom Panel</p>	<p>⑧ X 1</p>  <p>Partition Center Top</p>
<p>⑨ X 2</p>  <p>Back Support Panel</p>	<p>⑦ X 2</p>  <p>Bottom Support Panel</p>
<p>⑪ X 6</p>  <p>Partition Left Right Panel</p>	

Assembly Instruction

Hardware List

No.	SHAPE	DESCRIPTION	Qty.
A		8x25mm Dowel Wood	84Pcs
B		15mm Myfix Minifix	3Sets
C		M3.5x16mm Screw	106Pcs
D		M4x45mm Screw	59Pcs
E		V Bracket	2Pcs
F		Handle KT1010.128 Black	5Pcs
G		M4x28mm Screw	17Pcs
H		M4x38mm Screw	4Pcs
I		Hinges 2/8	12Pcs
J		5/8 Nail With Pin	8Pcs
K		6/8 Power Pin	50Pcs
L		Drawer Lock	2Pcs
M		Drawer Lock Support H10.9	1Pc
N		Furniture Bolt	2Pcs
O		Aluminium Pipe(719mm)	1Pc
P		Drawer Slide (350mm)	1Set
Q		Sticker	20Pcs

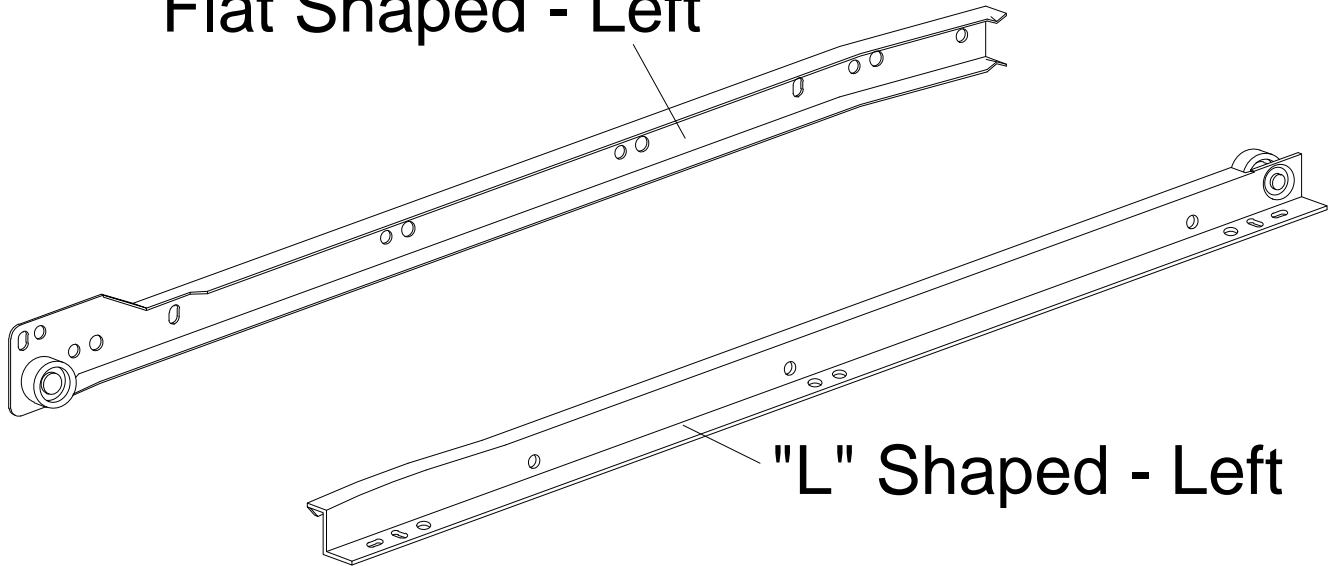
Anti Tipping Hardware

No.	SHAPE	DESCRIPTION	Qty.
a		Mounting Bracket	2Pcs
b		TP 6# x 5/8" Screw	1Pc
c		TP 8# x 2" Screw	1Pc
d		Restraint Strap	1Pc

Assembly Instruction

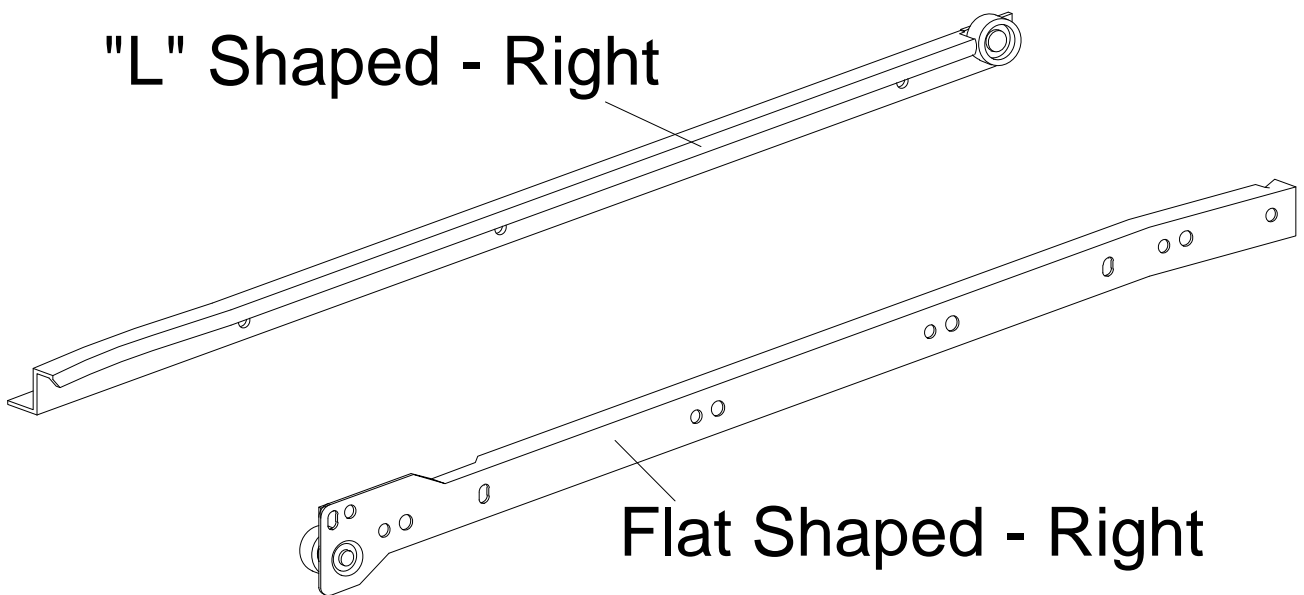
Left Drawer Silde (P)

Flat Shaped - Left



Right Drawer Silde (P)

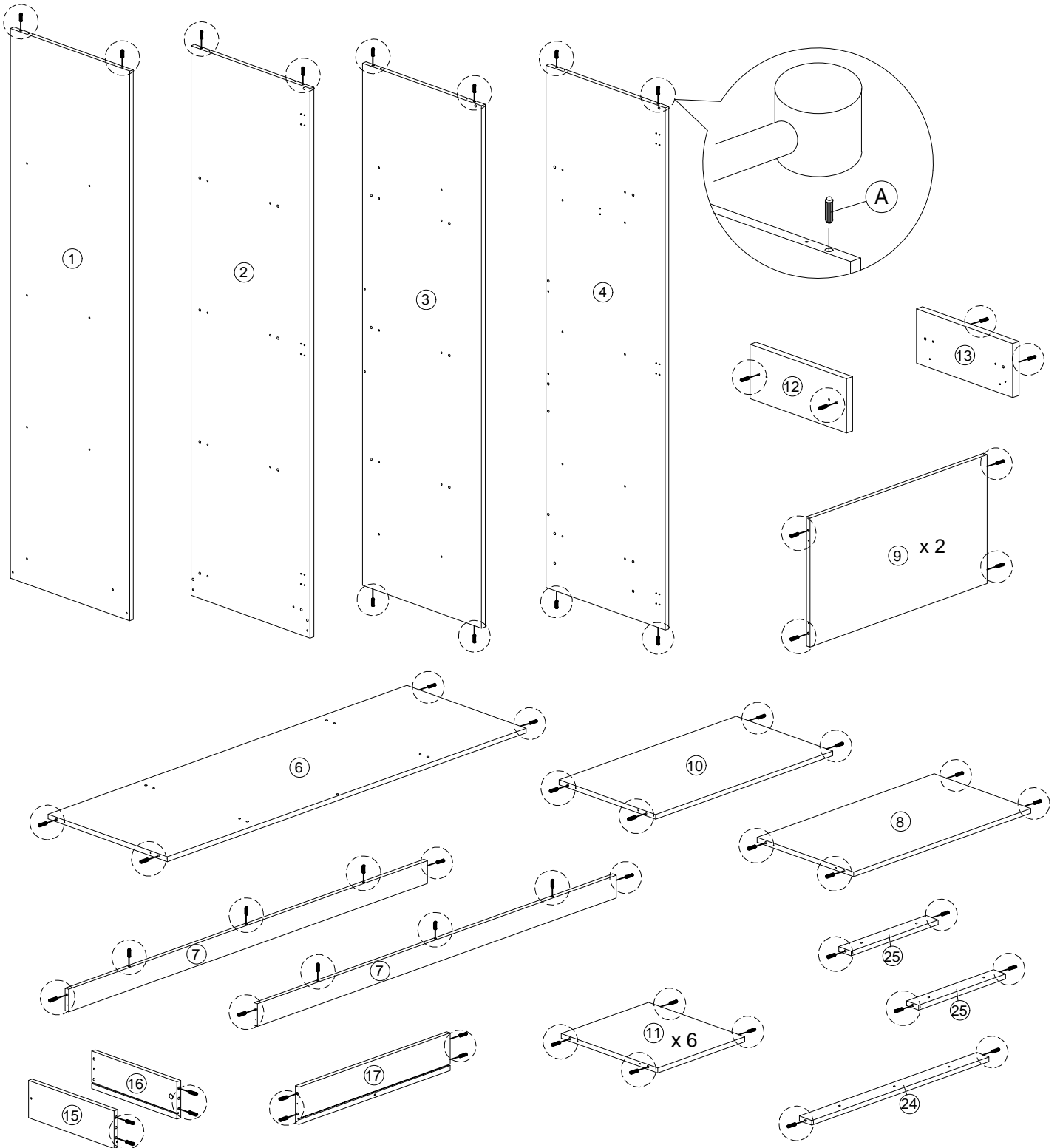
"L" Shaped - Right



Assembly Instruction

Step 1

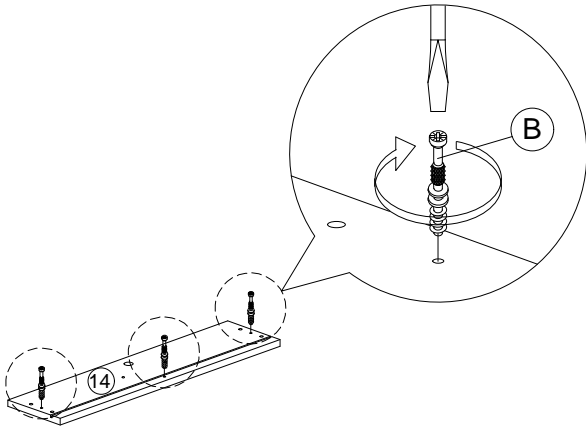
A		8x25mm Dowel Wood	84Pcs
---	---	-------------------	-------



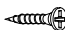

Assembly Instruction

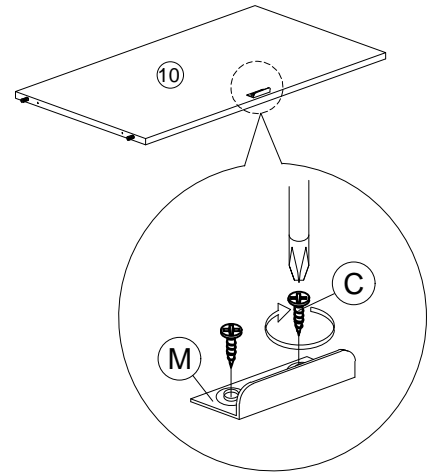
Step 2

B		Myfix	3Pcs
---	---	-------	------




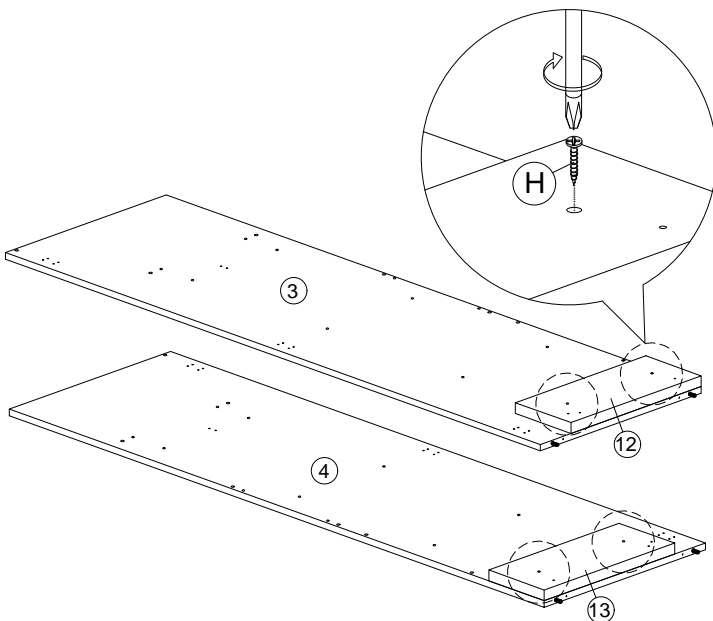
Step 3

C		M3.5x16mm Screw	2Pcs
M		Drawer Lock Support H10.9	1Pc

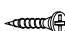



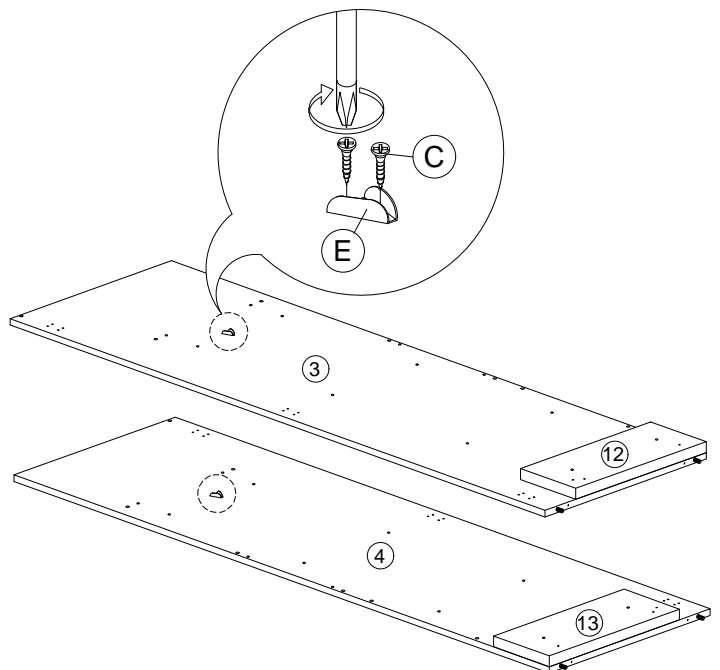
Step 4

H		M4x38mm Screw	4Pcs
---	---	---------------	------



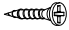

Step 5

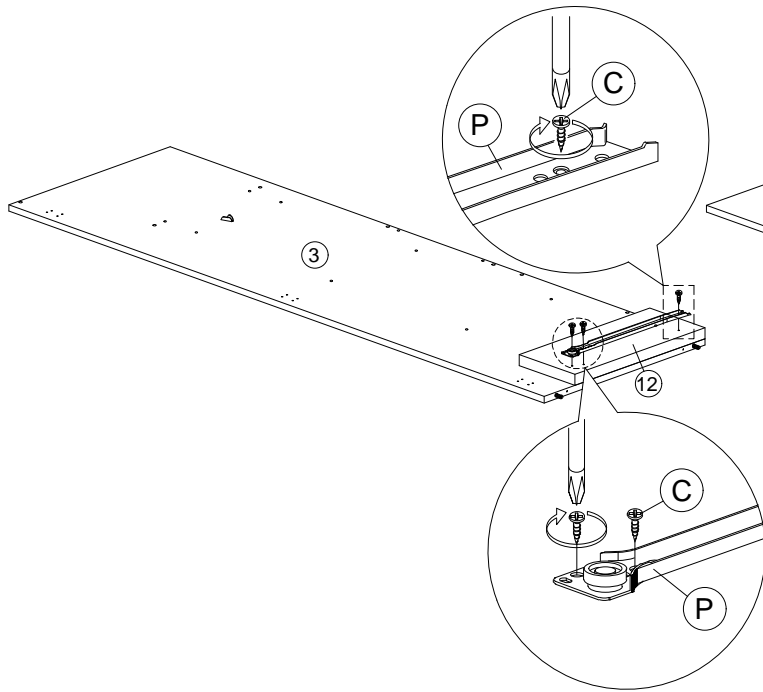
C		M3.5x16mm Screw	4Pcs
E		V Bracket	2Pcs




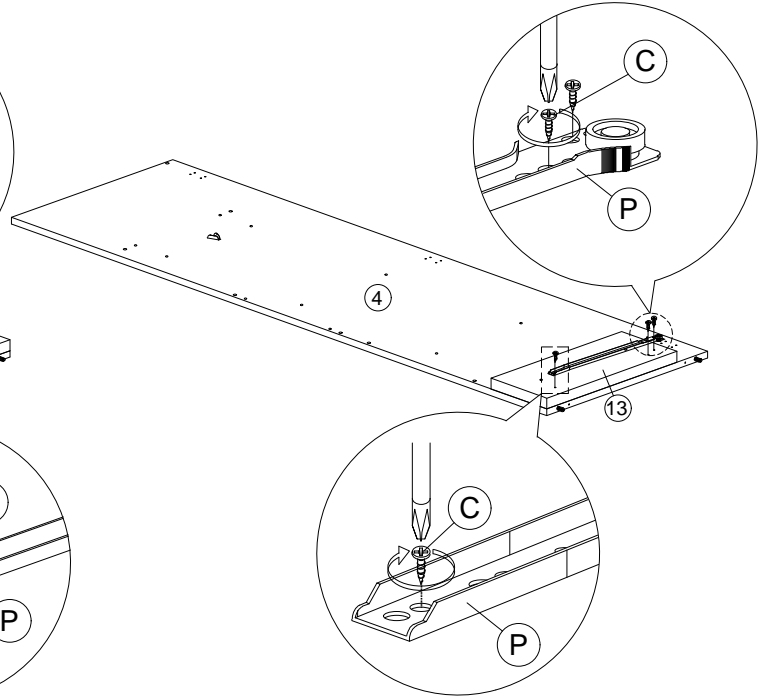
Assembly Instruction

Step 6


C		M3.5x16mm Screw	6Pcs
P		Drawer Slide 350 - R	1Pc

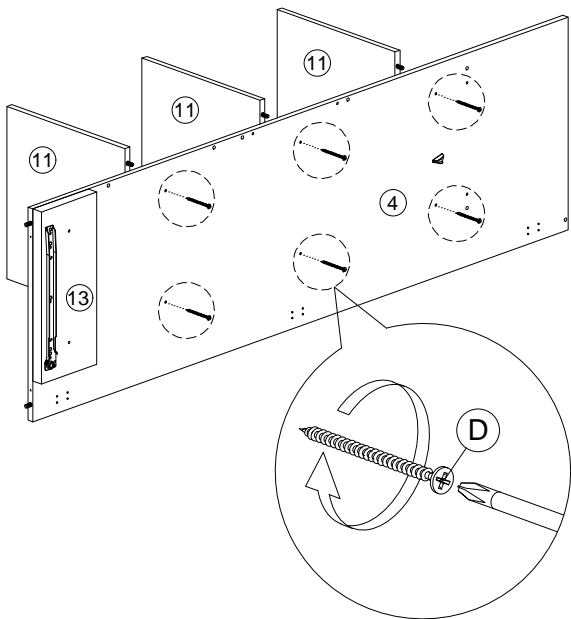


P		Drawer Slide 350 - L	1Pc
---	---	----------------------	-----




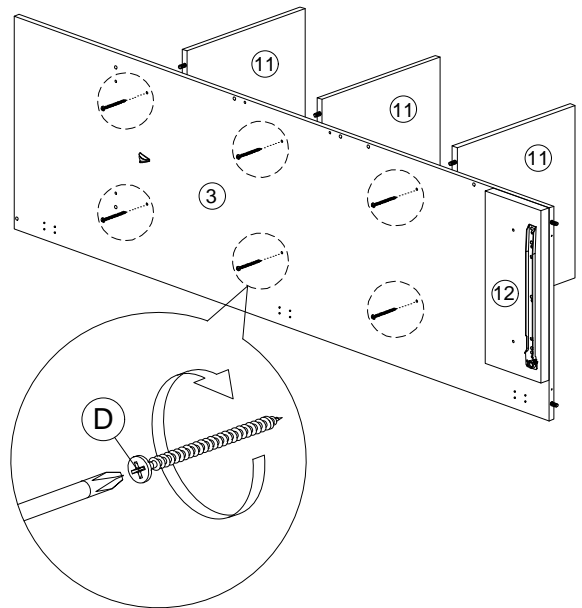
Step 7

D		M4x45mm Screw	6Pcs
---	---	---------------	------




Step 8

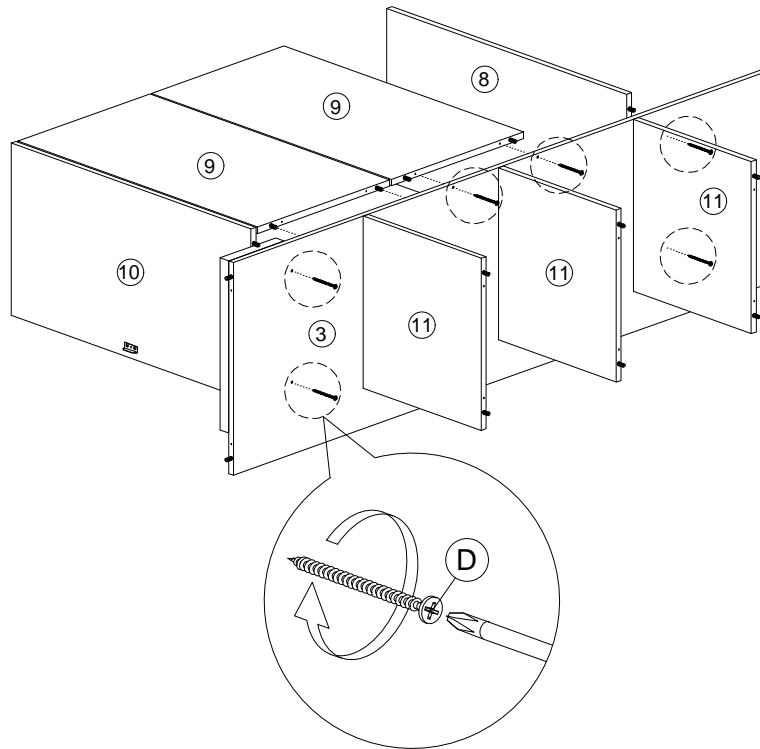
D		M4x45mm Screw	6Pcs
---	---	---------------	------




Assembly Instruction

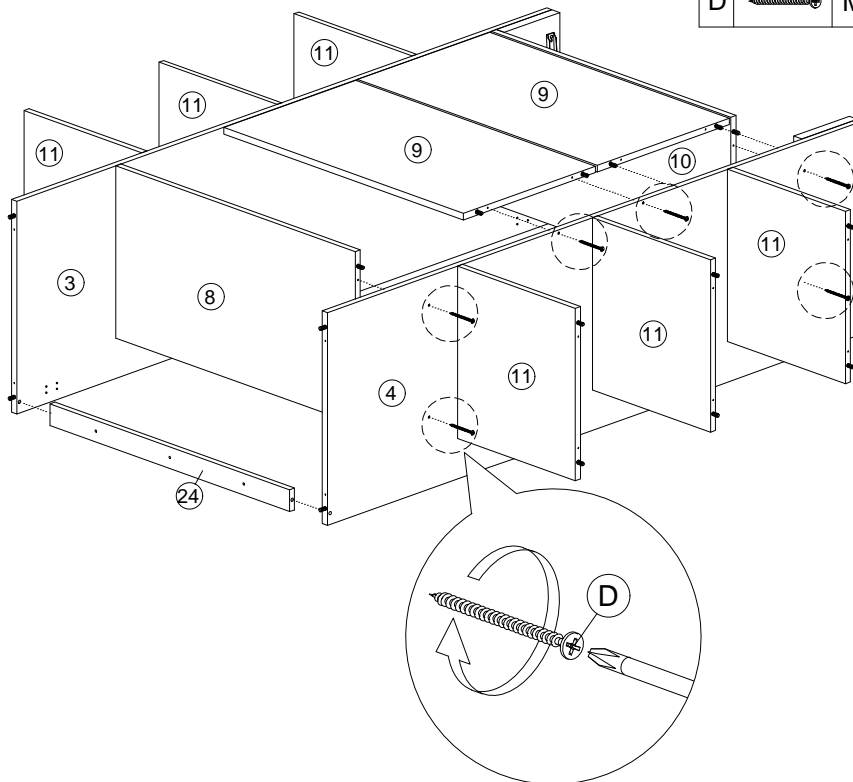
Step 9

D		M4x45mm Screw	6Pcs
---	---	---------------	------




Step 10

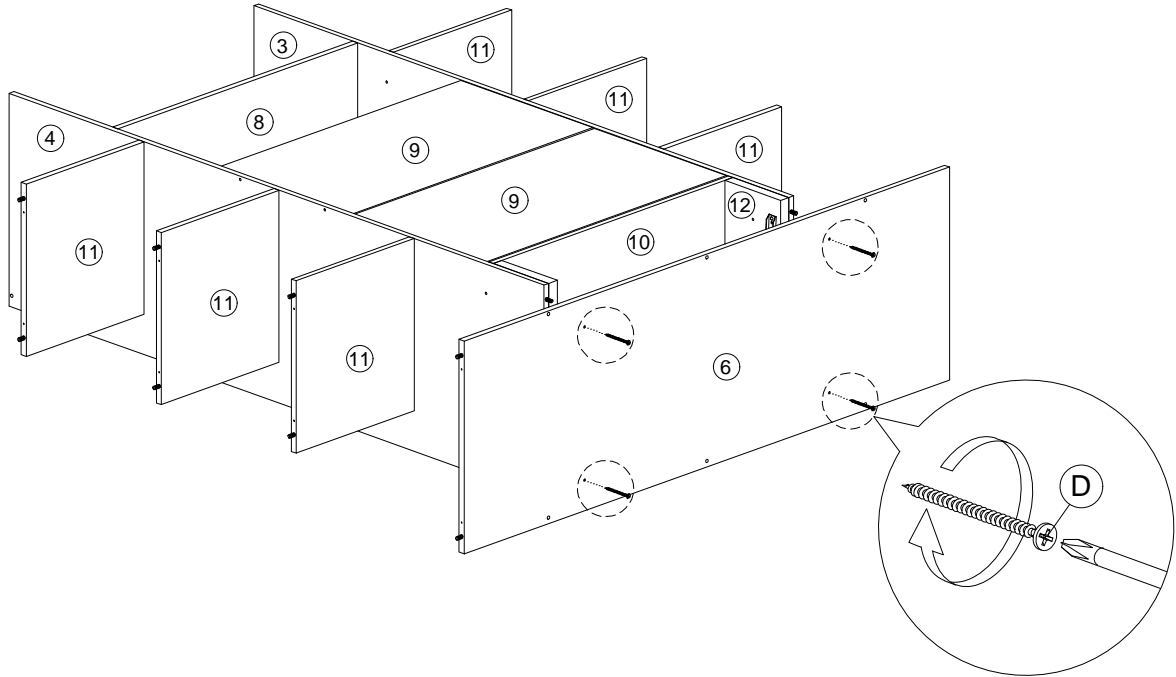
D		M4x45mm Screw	6Pcs
---	---	---------------	------



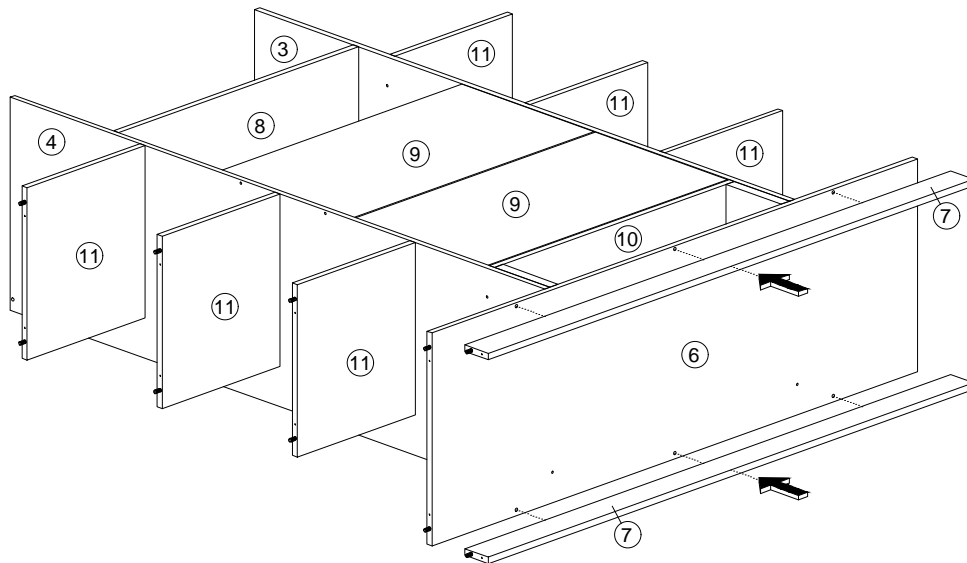
Assembly Instruction

Step 11

D		M4x45mm Screw	4Pcs
---	---	---------------	------




Step 12

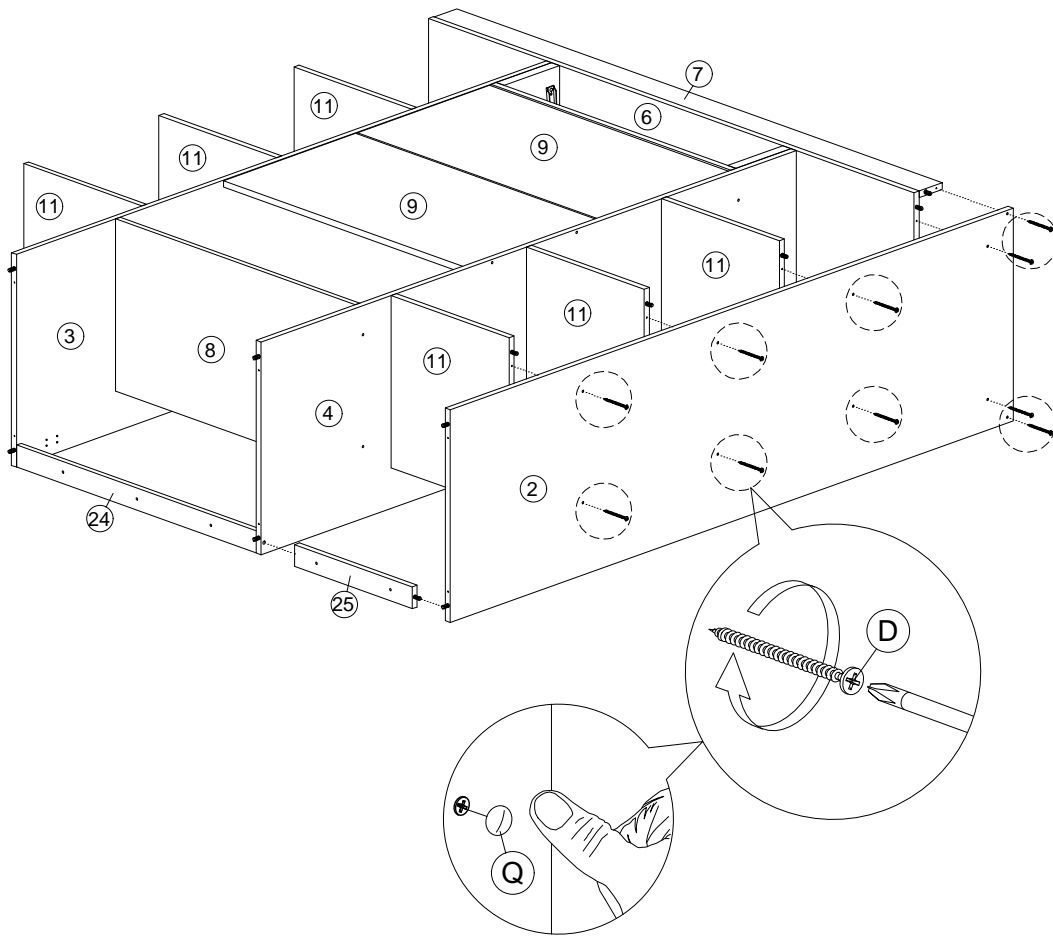


Assembly Instruction

Step 13


D		M4x45mm Screw	10Pcs
---	---	---------------	-------

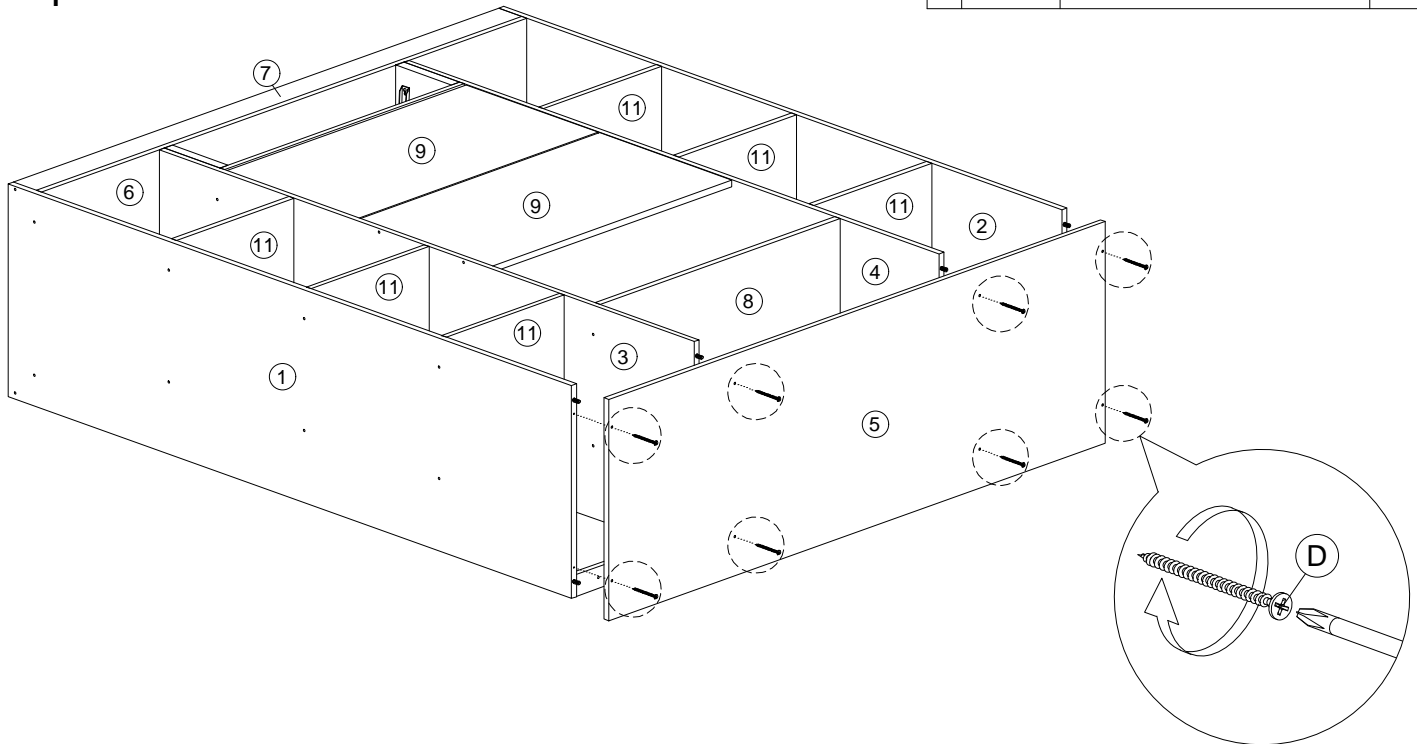
Q		Sticker	10Pcs
---	---	---------	-------



Assembly Instruction

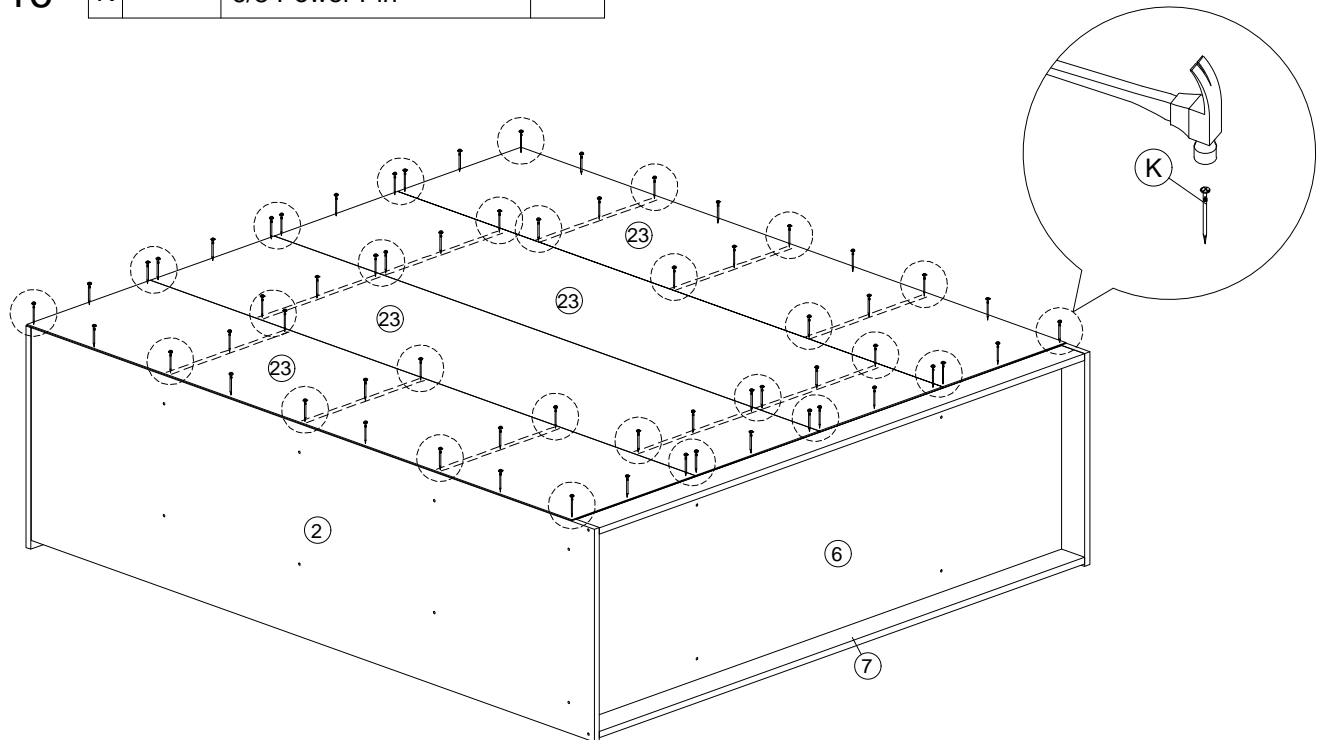
Step 15

D		M4x45mm Screw	8Pcs
---	---	---------------	------



Step 16

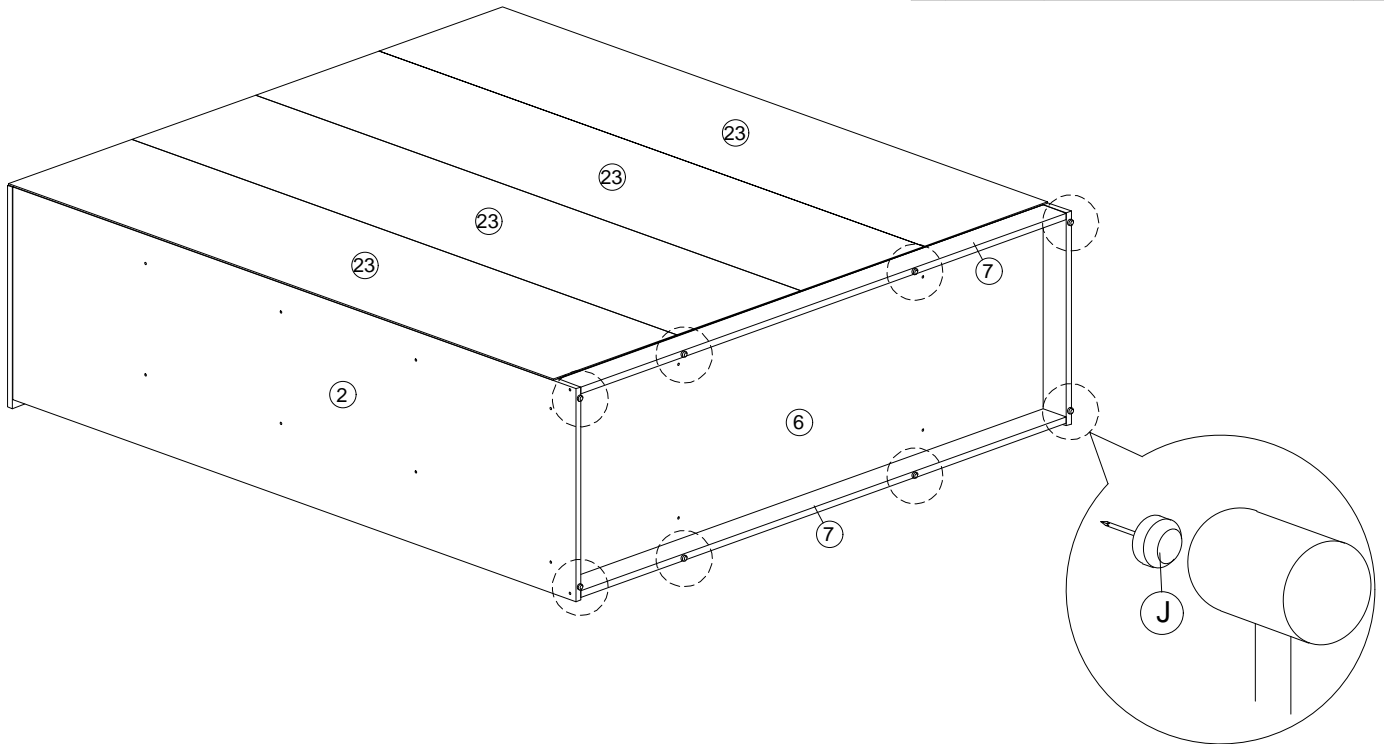
K		6/8 Power Pin	50Pcs
---	---	---------------	-------




Assembly Instruction

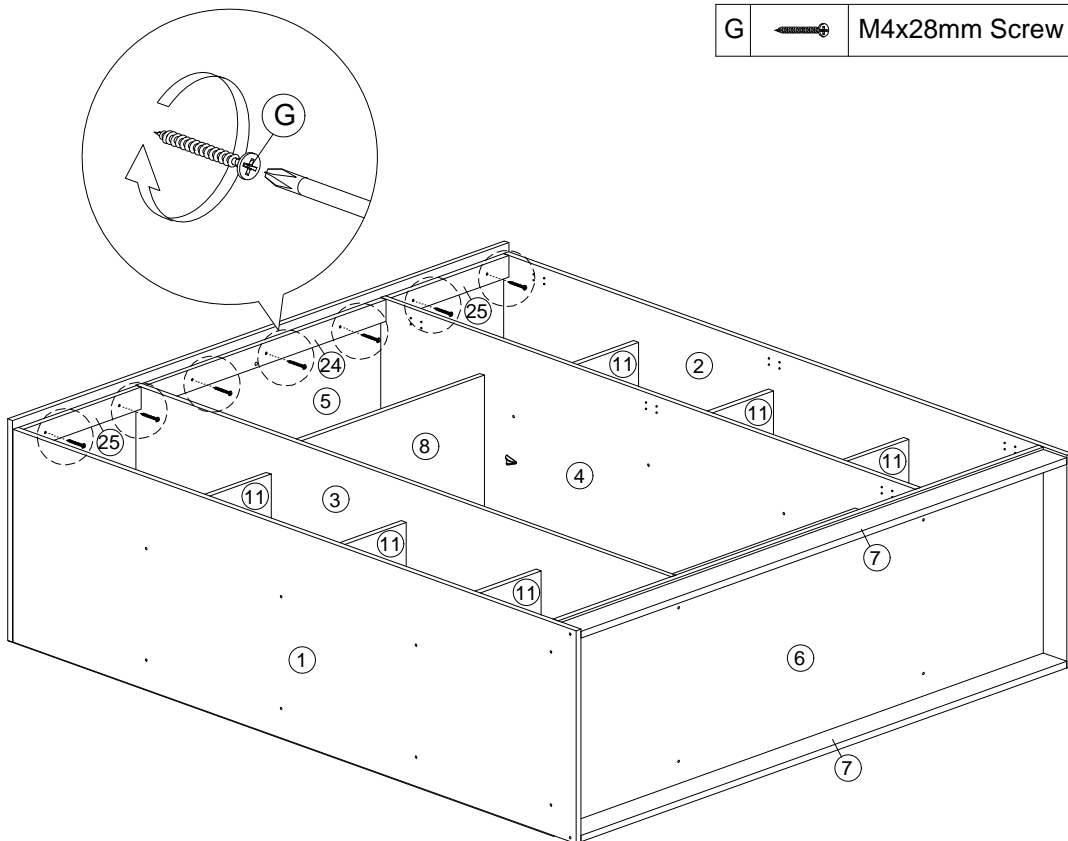
Step 17

J		5/8 Nail With Pin	8Pcs
---	---	-------------------	------




Step 18

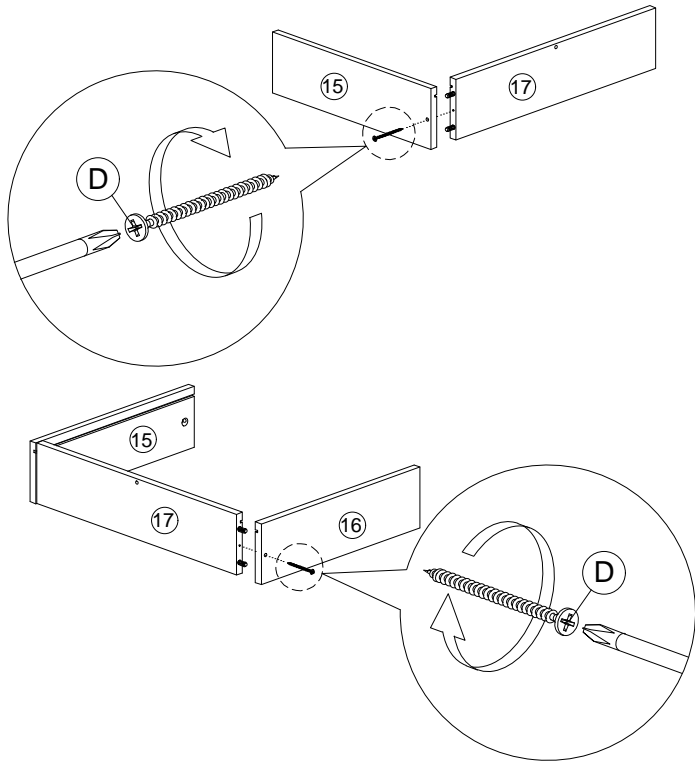
G		M4x28mm Screw	7Pcs
---	---	---------------	------




Assembly Instruction

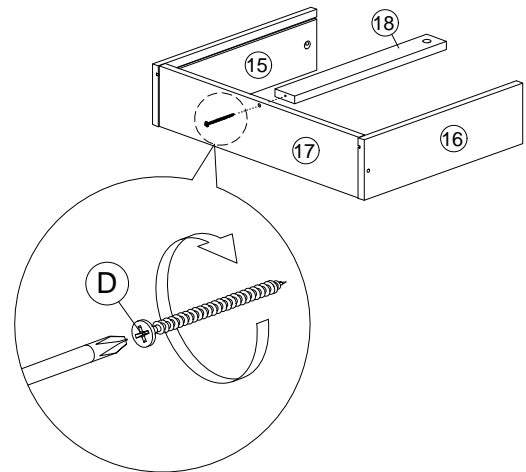
Step 19

D		M4x45mm Screw	2Pcs
---	---	---------------	------

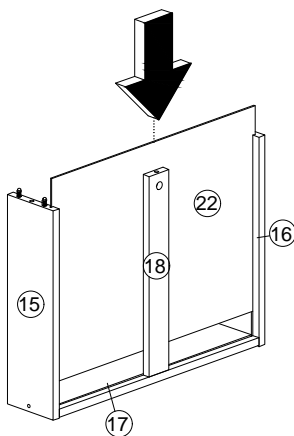


Step 20

D		M4x45mm Screw	1Pc
---	---	---------------	-----

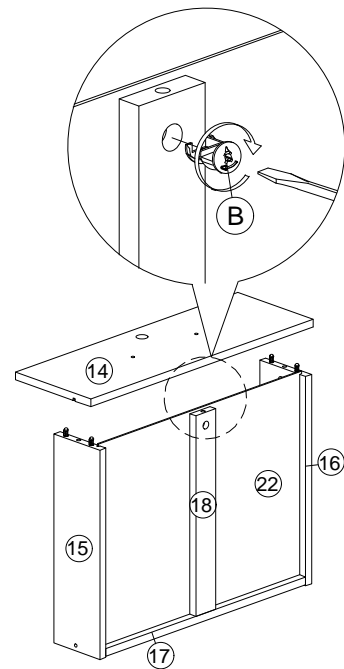


Step 21



Step 22

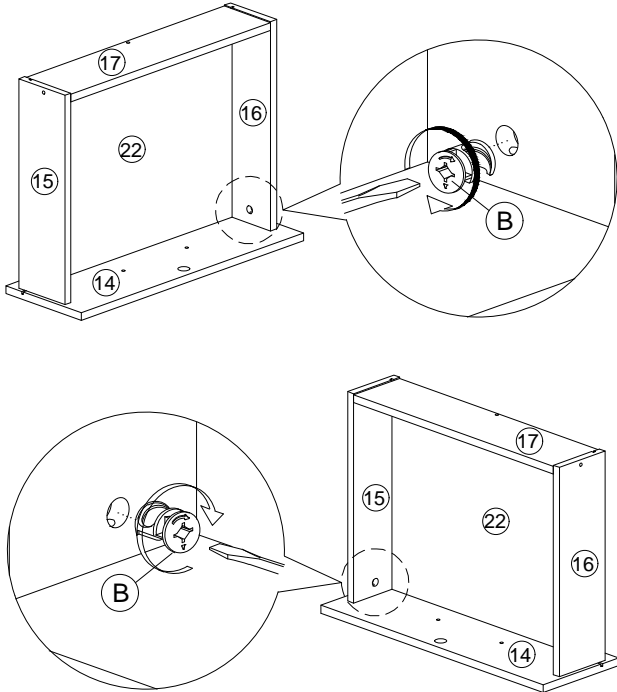
B		Minifix	1Pc
---	---	---------	-----





Assembly Instruction

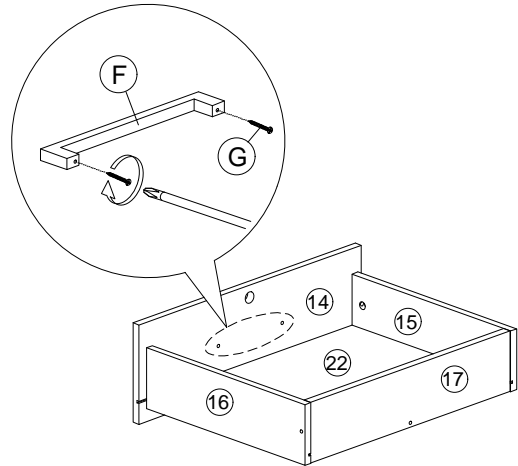
Step 23

B		Minifix	2Pcs
---	---	---------	------

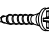



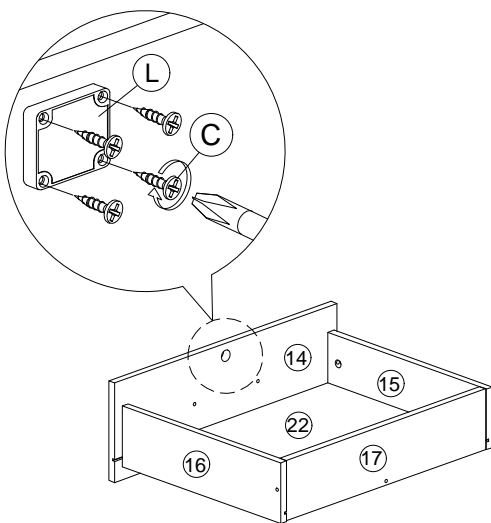
Step 24

F		Handle KT1010.128 Black	1Pc
G		M4x28mm Screw	2Pcs

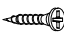



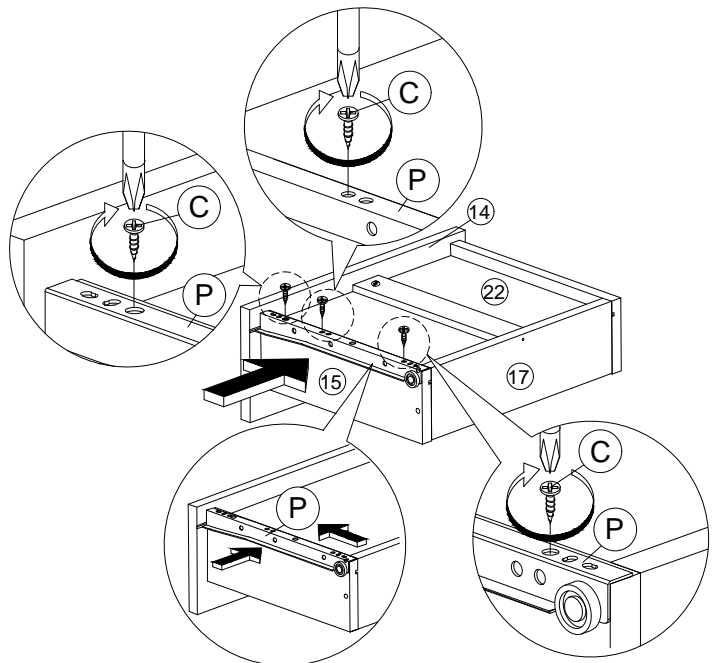
Step 25

C		M3.5x16mm Screw	4Pcs
L		Drawer Lock	1Pc



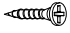

Step 26

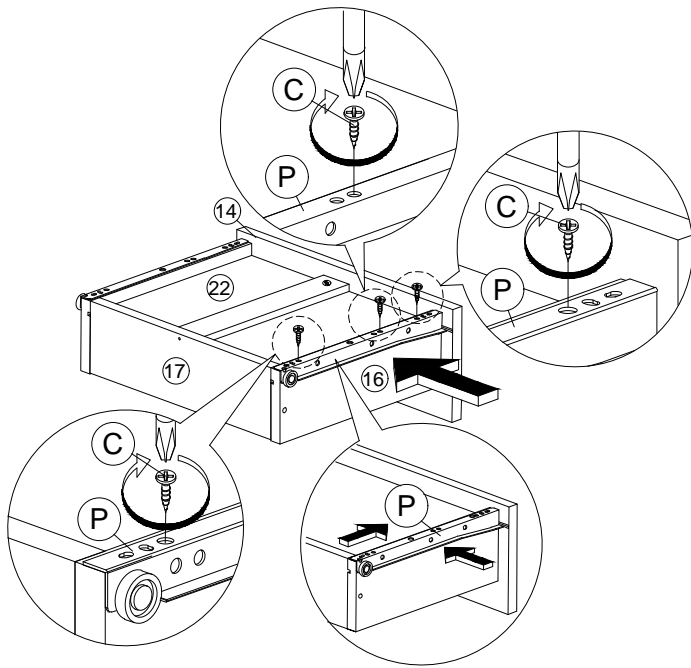
C		M3.5x16mm Screw	3Pcs
P		Drawer Slide 350 - R	1Pc



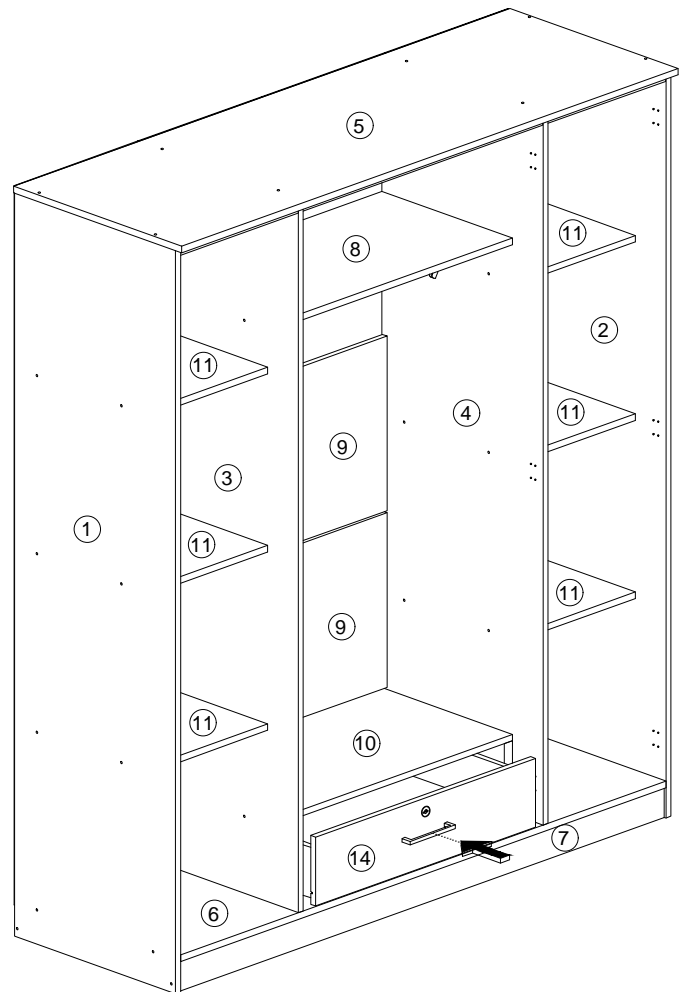
Assembly Instruction

Step 17

C		M3.5x16mm Screw	3Pcs
P		Drawer Slide 350 - L	1Pc



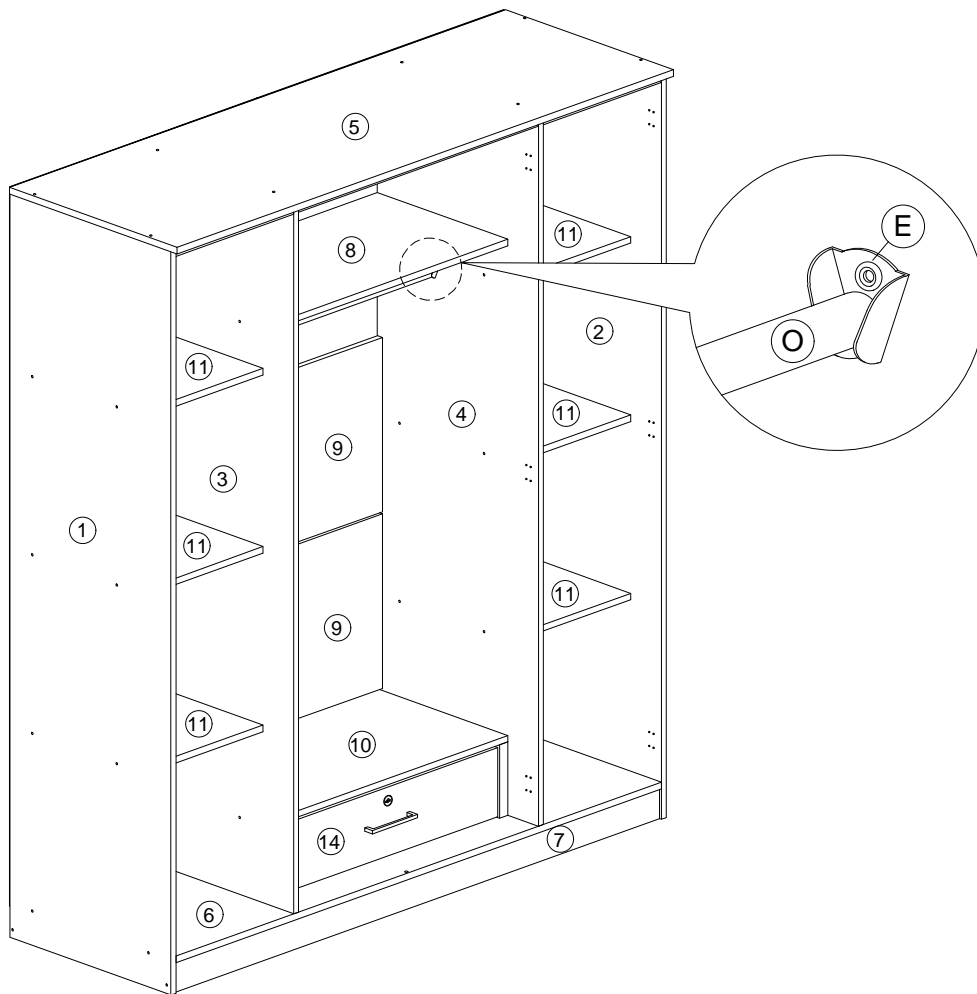
Step 28



Assembly Instruction

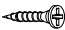
Step 29


O		Aluminium Pipe (719mm)	1Pc
---	---	------------------------	-----

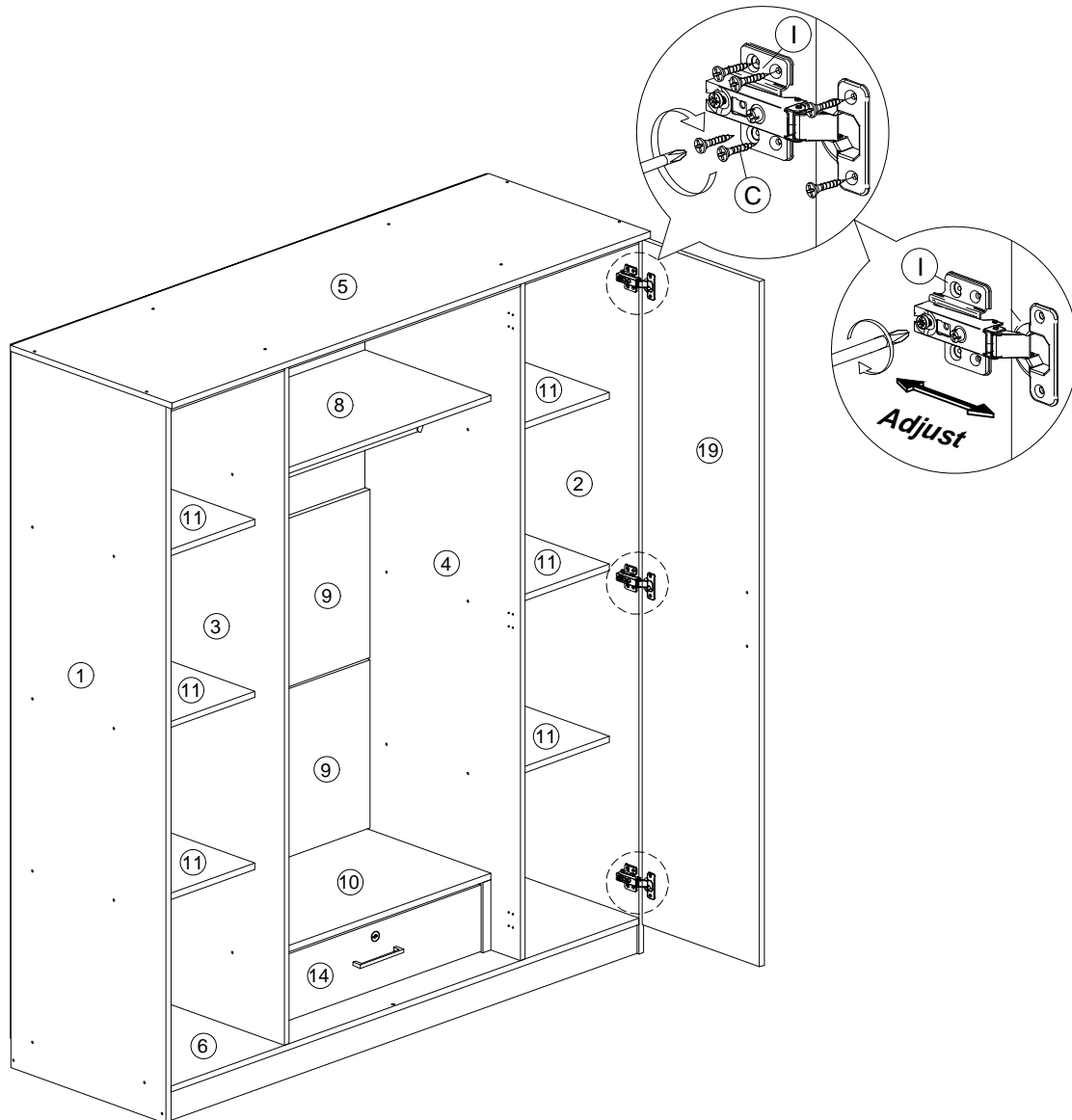


Assembly Instruction

Step 30

C		M3.5x16mm Screw	18Pcs
---	---	-----------------	-------


I		Hinges 2/8	3Pcs
---	---	------------	------

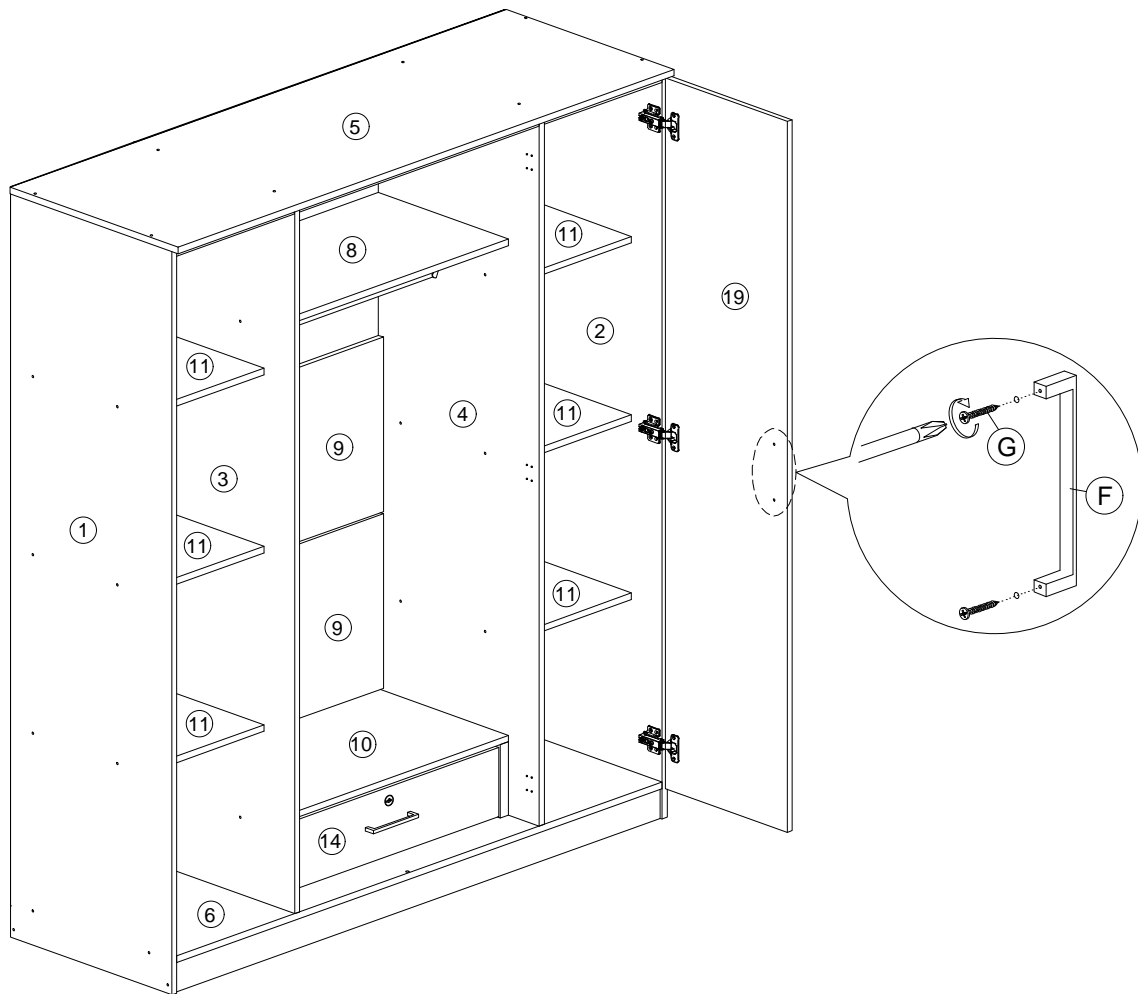


Assembly Instruction

Step 31

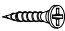
F		Handle KT1010.128 Black	1Pc
---	---	-------------------------	-----


G		M4x28mm Screw	2Pcs
---	---	---------------	------

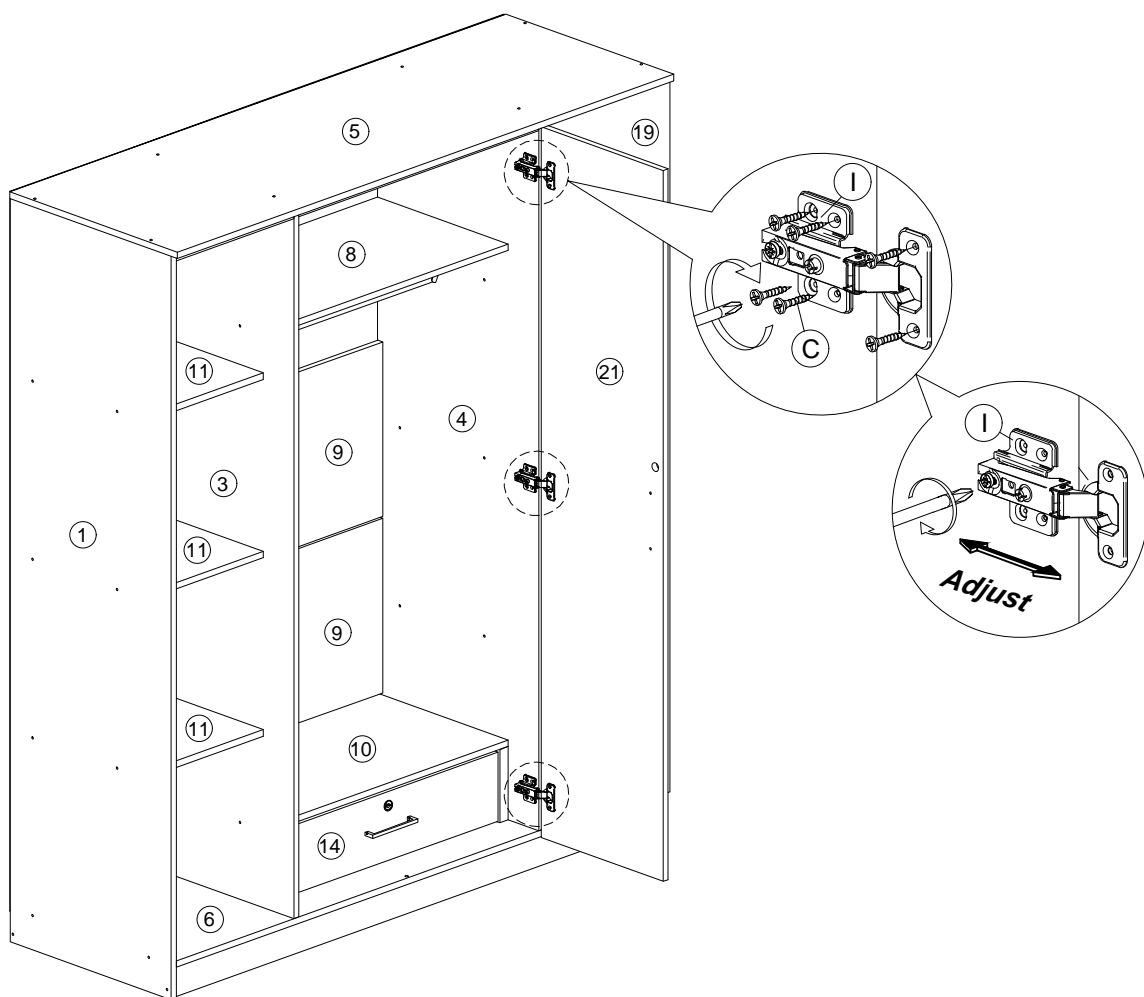


Assembly Instruction

Step 32

C		M3.5x16mm Screw	18Pcs
---	---	-----------------	-------


I		Hinges 2/8	3Pcs
---	---	------------	------

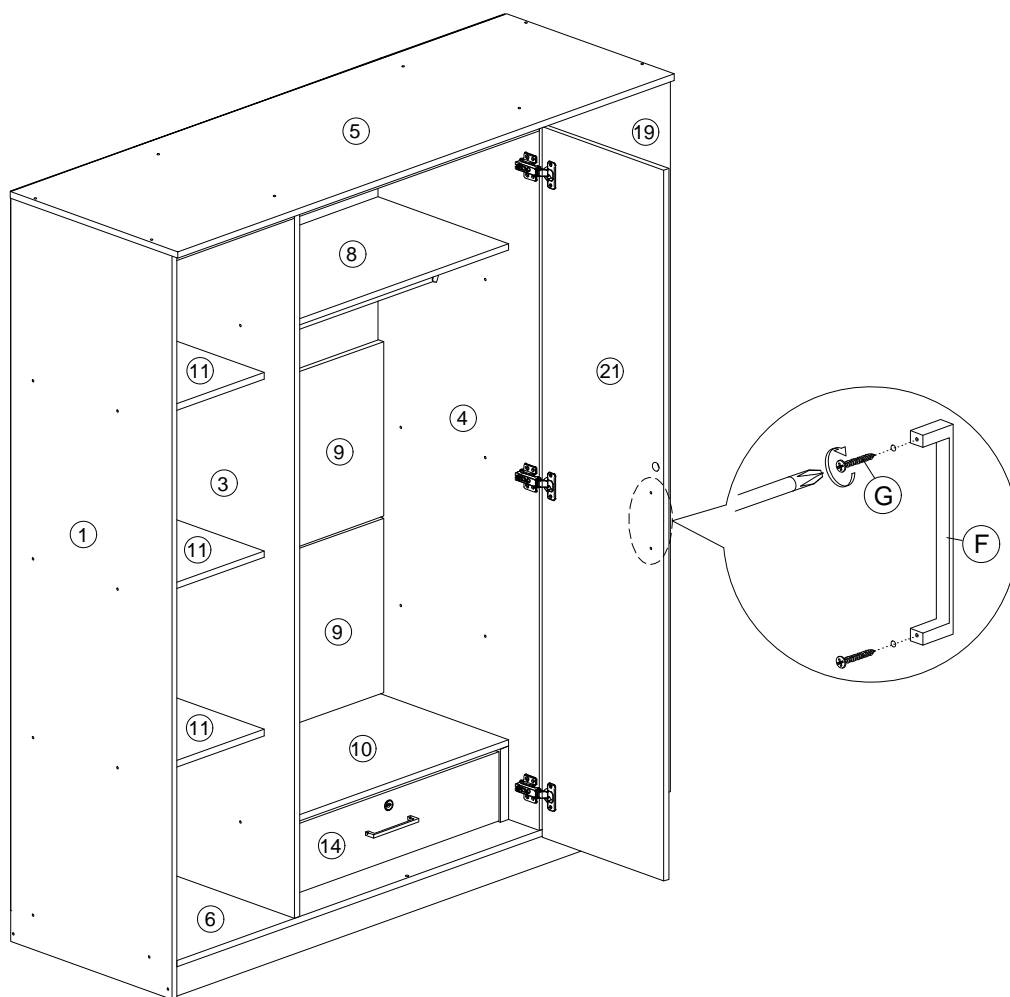


Assembly Instruction

Step 33

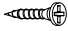
F		Handle KT1010.128 Black	1Pc
---	---	-------------------------	-----


G		M4x28mm Screw	2Pcs
---	---	---------------	------

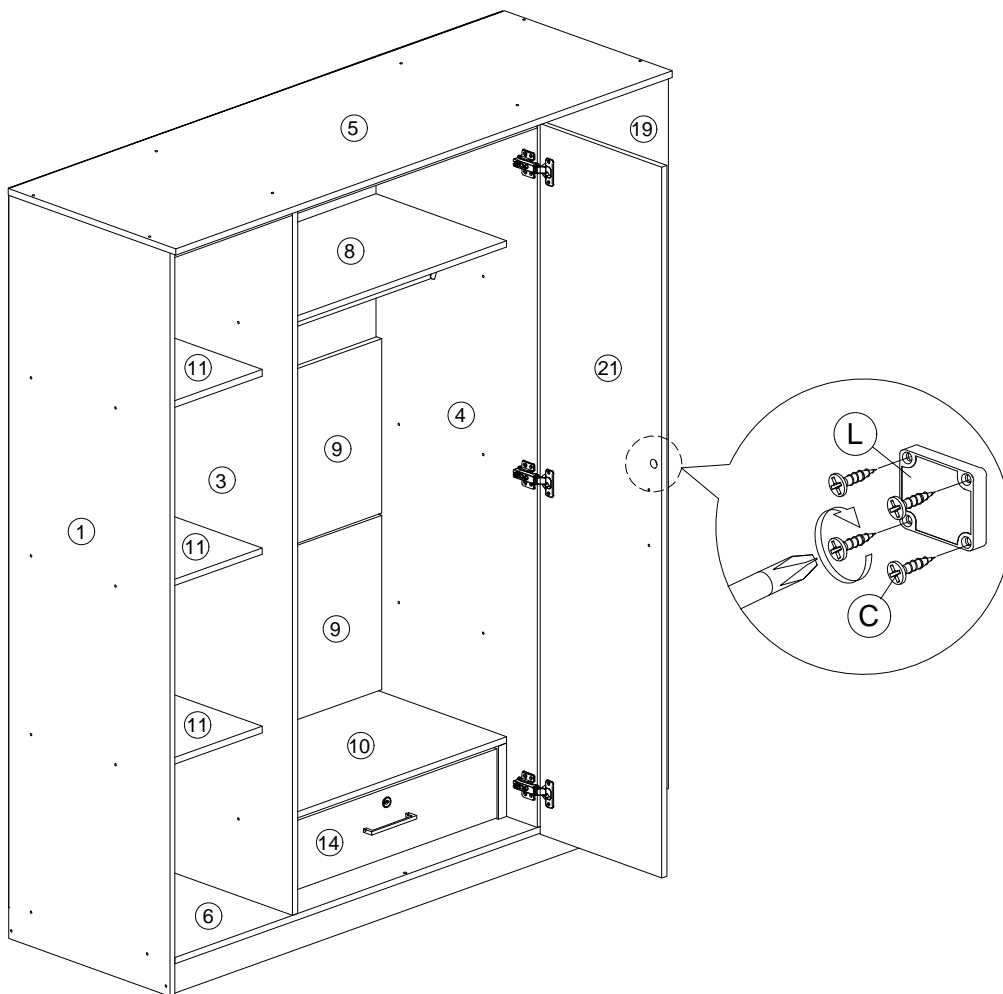


Assembly Instruction

Step 34

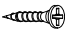
C		M3.5x16mm Screw	4Pcs
---	---	-----------------	------


L		Drawer Lock	1Pc
---	---	-------------	-----

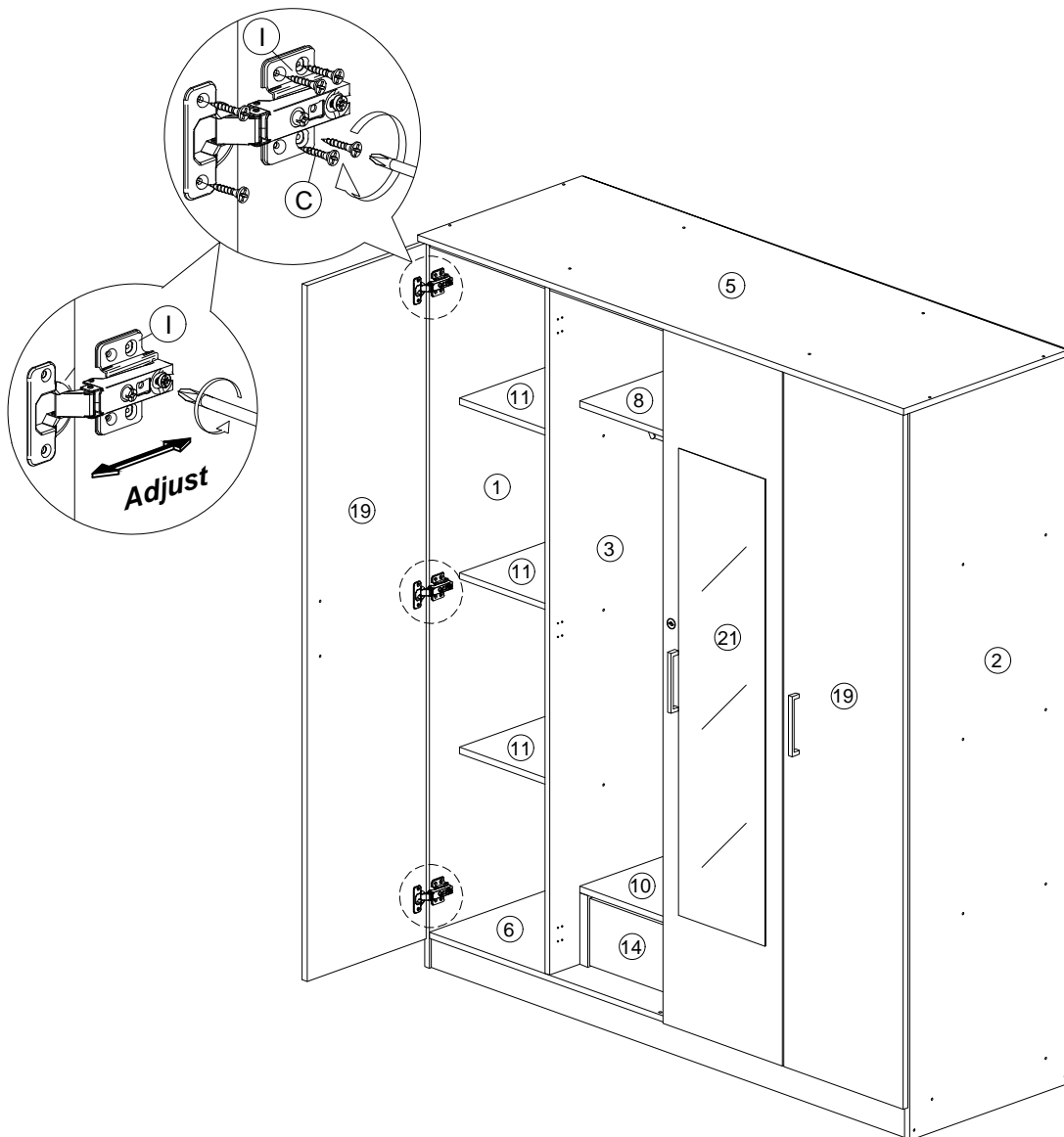


Assembly Instruction

Step 35

C		M3.5x16mm Screw	18Pcs
---	---	-----------------	-------


I		Hinges 2/8	3Pcs
---	---	------------	------

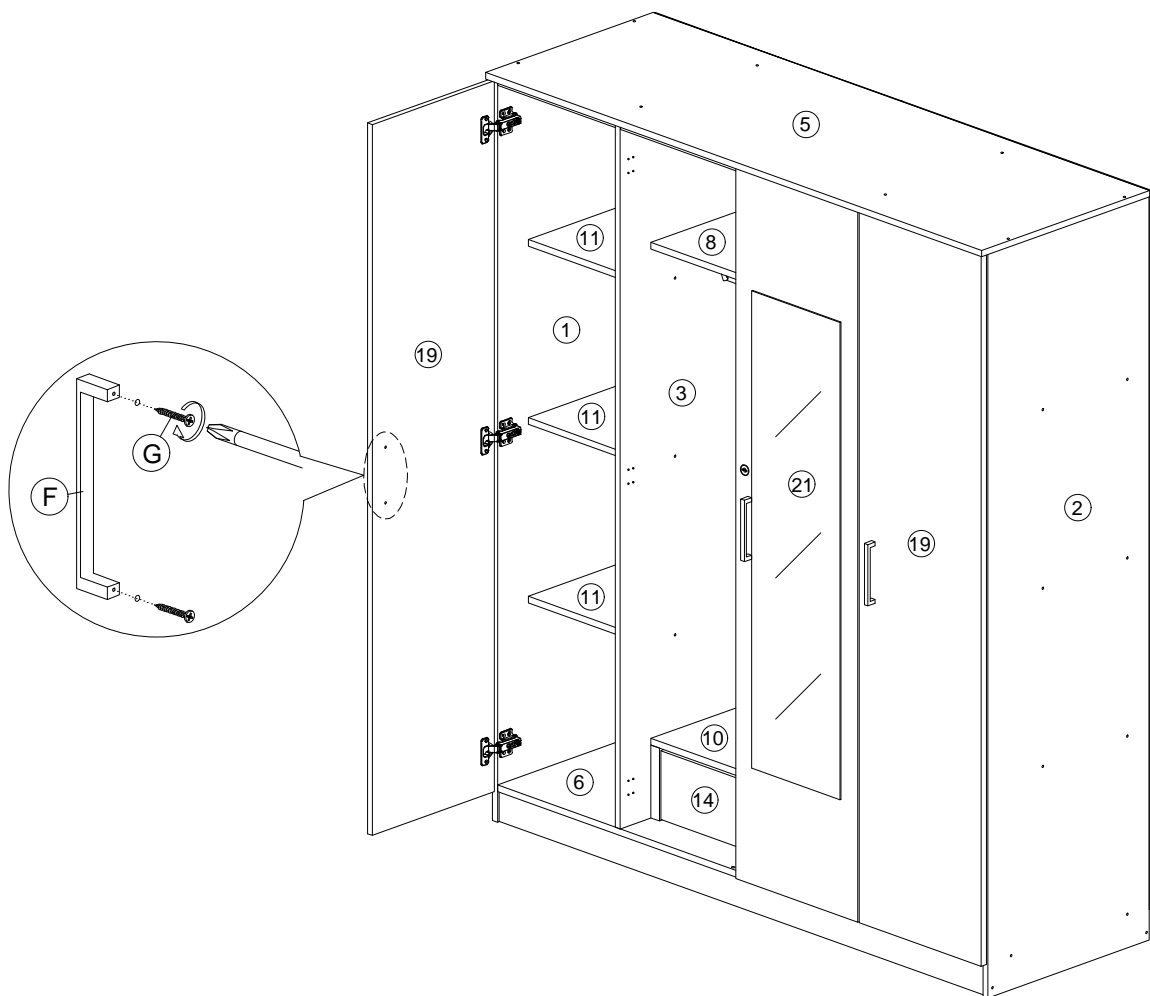


Assembly Instruction

Step 36

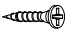
F		Handle KT1010.128 Black	1Pc
---	---	-------------------------	-----


G		M4x28mm Screw	2Pcs
---	---	---------------	------

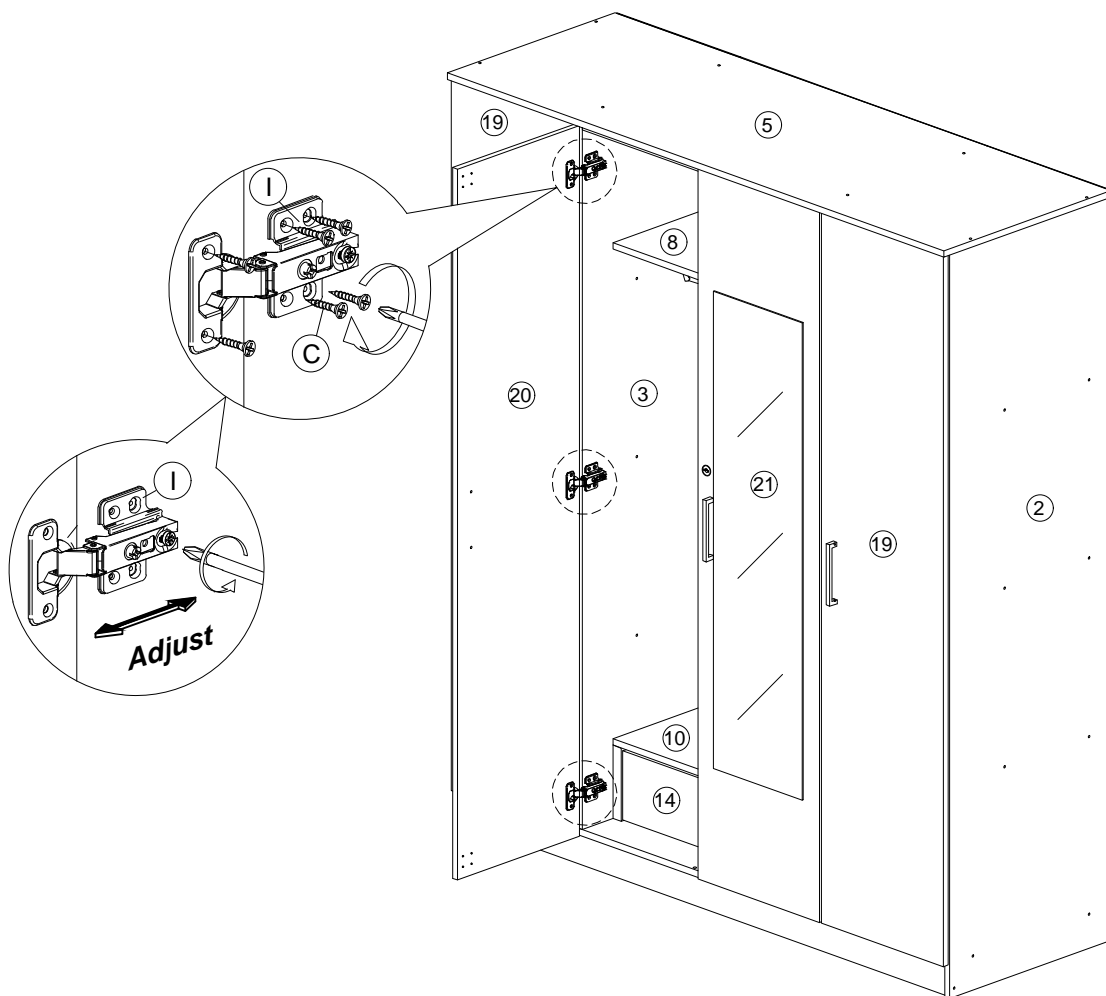


Assembly Instruction

Step 37

C		M3.5x16mm Screw	18Pcs
---	---	-----------------	-------


I		Hinges 2/8	3Pcs
---	---	------------	------

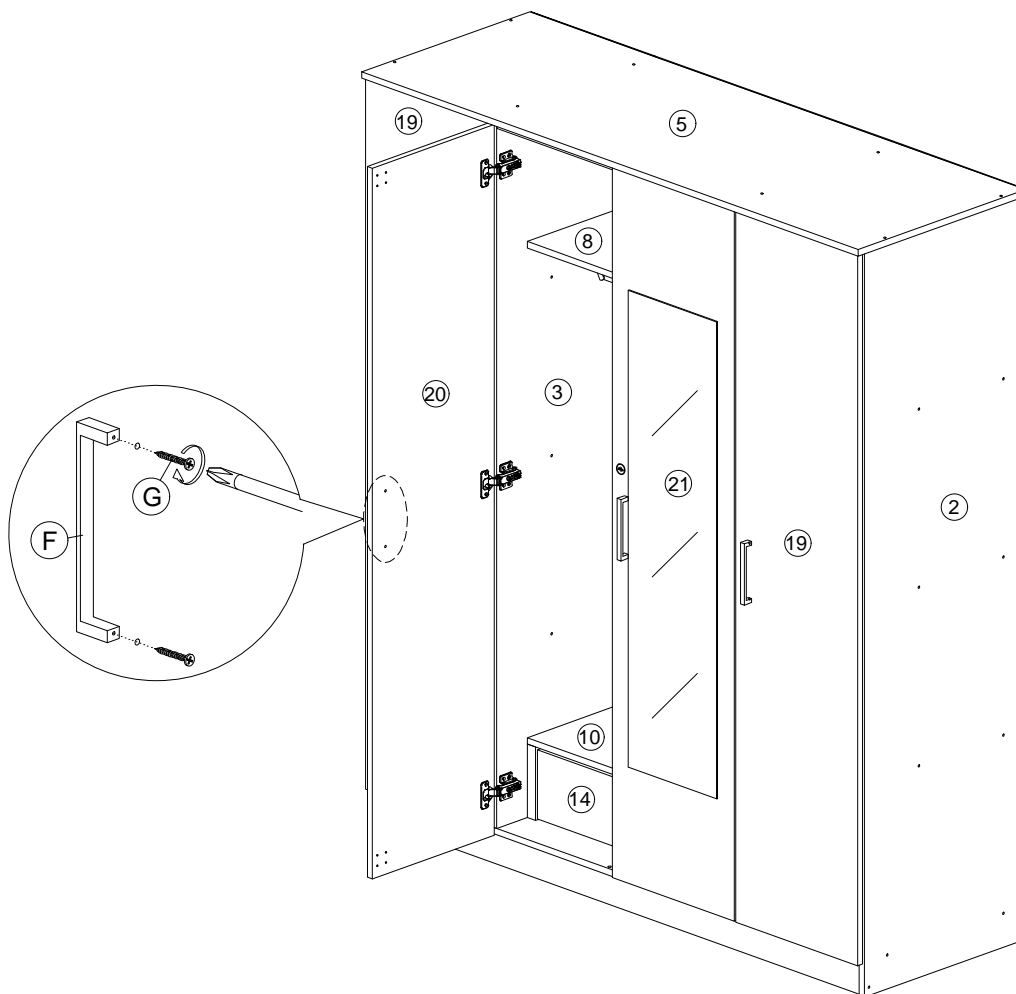


Assembly Instruction

Step 38

F		Handle KT1010.128 Black	1Pc
---	---	-------------------------	-----

G		M4x28mm Screw	2Pcs
---	---	---------------	------



FITTING OF ANTI-TIP SAFETY STRAP

STEP 1:

- Attach the mounting bracket (a) to the furniture in the solid part below the top panel a few inches away from the side of the unit.
- Screw (b) through the smallest hole of (a).

STEP 2:

- Locate a stud in behind the have to
- Place the other mounting bracket (a) on the wall stud 2 inches below the mounting bracket secured to the back of your unit.
- Attach to the wall stud using (c) through the smaller hole of (a).

STEP 3:

- Repeat the same step a few inches away from the other side of the unit.
- Place the furniture into position so both mounting brackets are vertically in line.
- Lace the end of the restraint strap through the larger holes in each mounting bracket.
- Secure the straps and lock into place.

