

NOTICE

*Please make sure that you have all parts indicted and they are in good condition before you begin assembly of this item. Refer to part list and hardware list below for guidance.

*This item should be assembled on a soft surface to prevent scratching the finish during assembly.

*This item may require periodic tightening.

*If you are having difficulty, our friendly Customer Care team is always here to help.

PREPARATION

* Before beginning assembly of product, make sure all parts are present. Compare parts with part contents list and hardware contents list.

* If any part is missing or damaged, do not attempt to assemble the product.


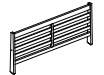


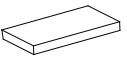





* Estimated Assembly Time: 10 minutes.

* Tools Required for Assembly (included): Allen Key

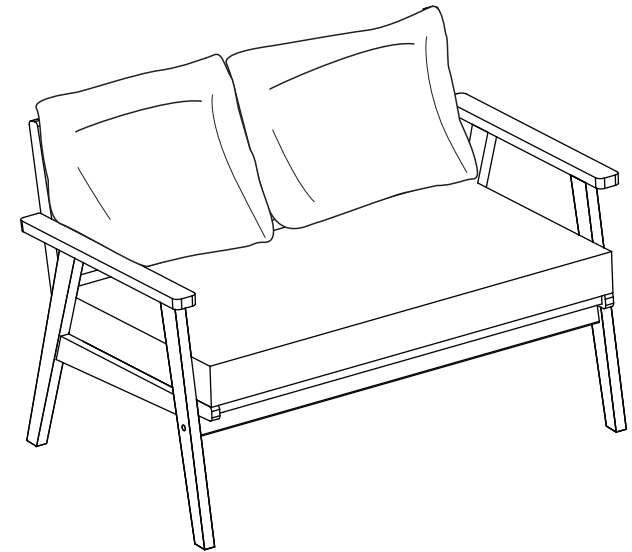
CARE AND MAINTENANCE

Store outdoor furniture indoors or cover well when not in use. Remove wooden furniture from standing water. Dust regularly with small brush or vacuum. Spills should be taken care of immediately before they harden or stain with a slightly dampened sponge. Do not use bleach solutions

Part List and Hardware List

PIECE	DESCRIPTION	PICTURE	QUANTITY
A	Leg frame		2X
B	Back frame		1X
C	Seat frame		1X
D	Cross bar		1X
CSH1	Seat cushion		1X
CSH2	Back cushion		2X
HW1	Screw: M6 x0.5 x60 mm		2X
HW2	Screw: M6 x0.5 x80 mm		2X
HW3	Allen Bolt: M6x0.5x35 mm		6X
HW4	Allen key 4		1X

Product Dimensions:29.9" W x 48.8" D x 30.7" H



Weight Capacity :400 Ibs

Warning : Do not stand on bench

Warning : Do not over torque bolts / screws

PREPARATION

*Before beginning assembly of product, make sure all parts are present. Compare parts with package contents list and hardware contents list.

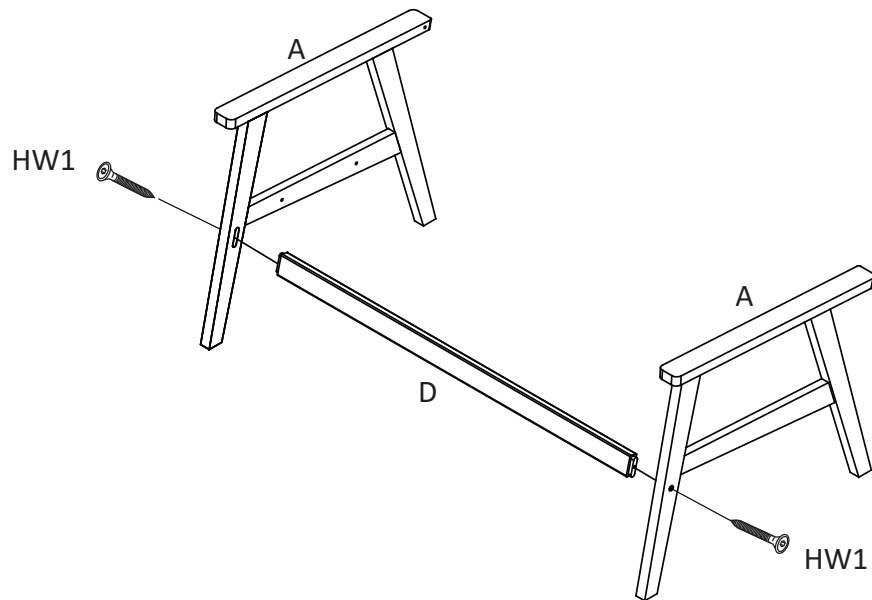
*If any part is missing or damaged, do not attempt to assemble the product.

*Estimated Assembly Time : 10 minutes.

*Tools Required for Assembly (included): Allen Key

*If you are having difficulty, our friendly Customer care team is always here to help.

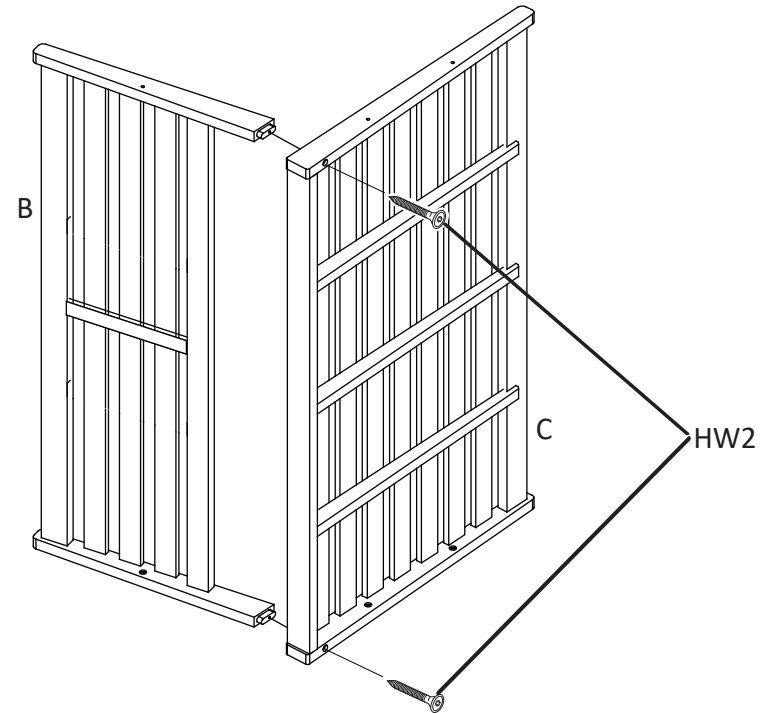
1



Step1

Attach leg frame (A) to cross bar (D) ,use screws (HW1), tighten with allen key (HW4).

2



Step 2

Tighten screws (HW2) with allen key (HW4) to attach seat frame (C) and back frame (B).

PREPARATION

*Before beginning assembly of product, make sure all parts are present. Compare parts with package contents list and hardware contents list.

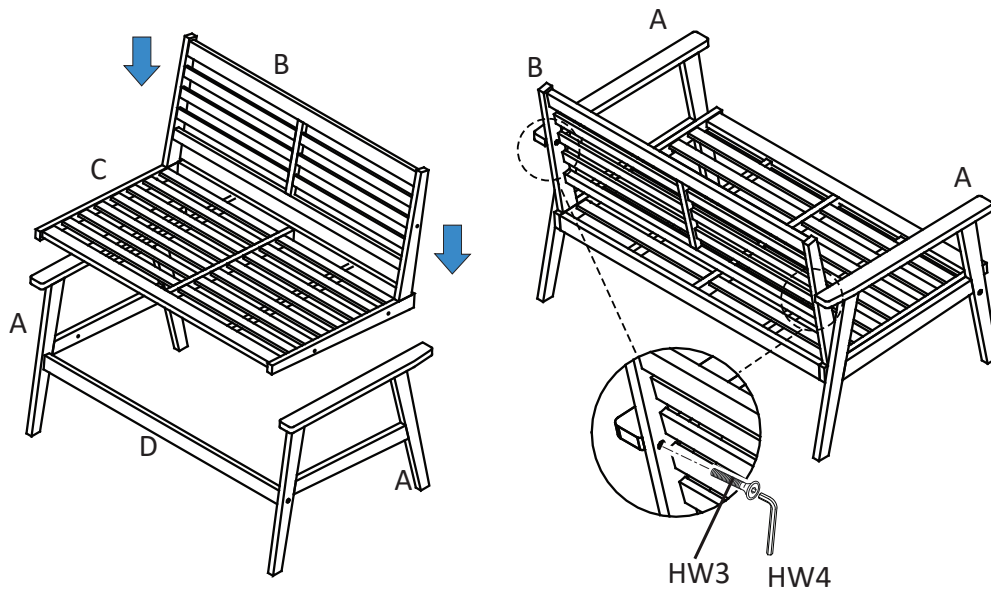
*If any part is missing or damaged, do not attempt to assemble the product.

*Estimated Assembly Time : 10 minutes.

*Tools Required for Assembly (included): Allen Key

*If you are having difficulty, our friendly Customer care team is always here to help.

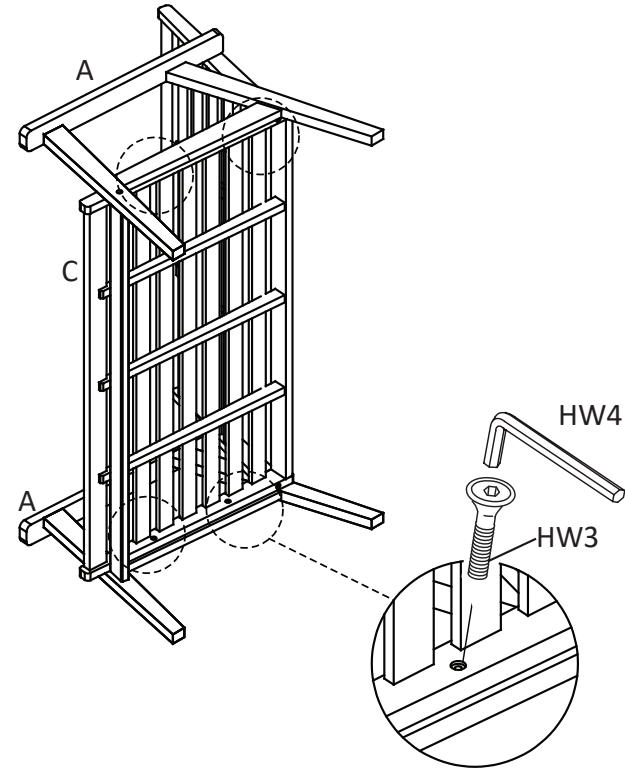
3



Step3

Attach leg frame (A) to back frame (B) and seat frame ,use Bolt (HW3), tighten with allen key(HW4).

4



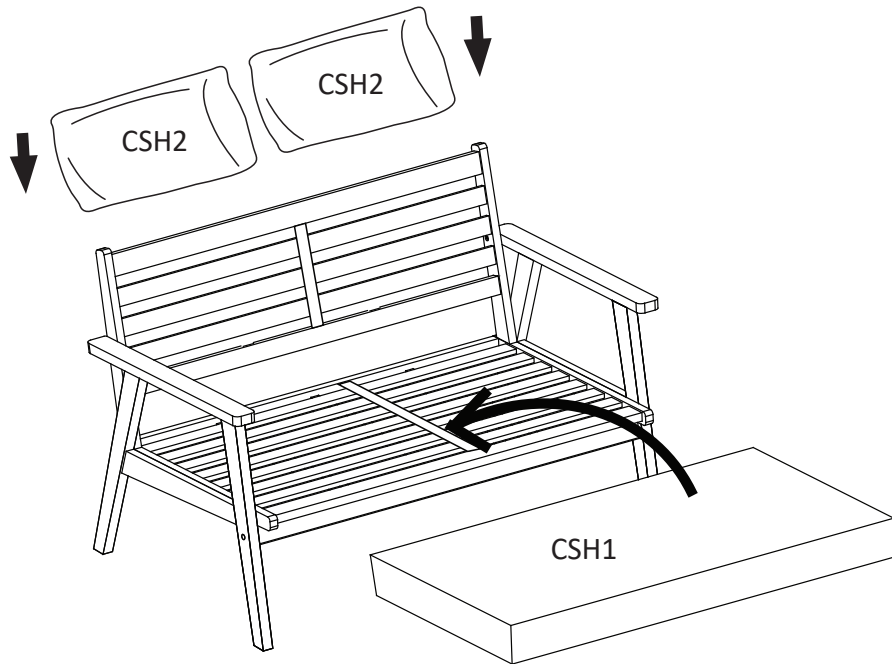
Step 4

Tighten Bolt (HW3) with allen key (HW4) to attach seat frame (C) and Leg frame (A).

PREPARATION

- *Before beginning assembly of product, make sure all parts are present. Compare parts with package contents list and hardware contents list.
- *If any part is missing or damaged, do not attempt to assemble the product.
- *Estimated Assembly Time : 10 minutes.
- *Tools Required for Assembly (included): Allen Key
- *If you are having difficulty, our friendly Customer care team is always here to help.

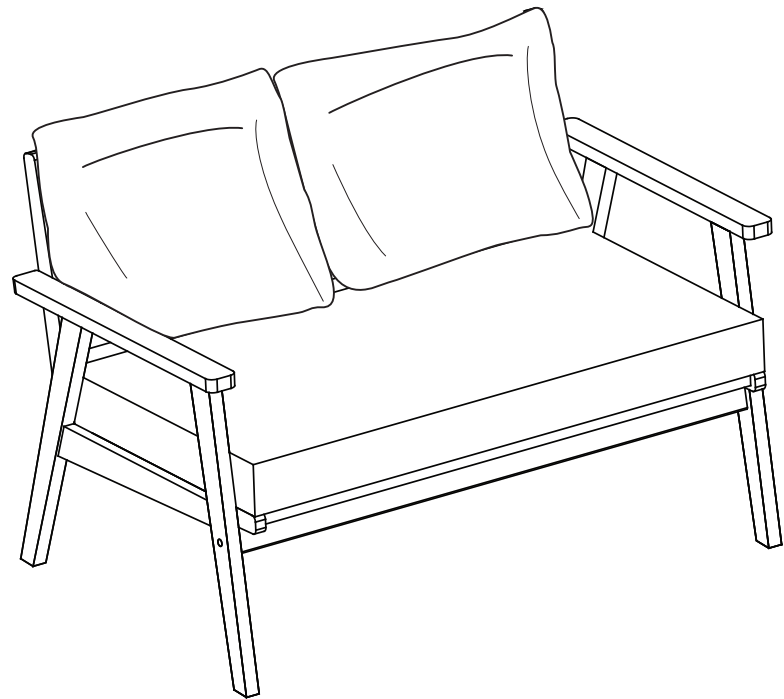
5



Step 5

Attach Ensure all screws are fully locked into position.
Place Seat Cushion (CSH1), Back Cushion (CSH2) into the Chair.
The Chair is ready to be used.

6



Step 6

Caution: This Chair can only be used on a flat, level surface