

REVISION : A

ASSEMBLY TIPS :

1. Remove hardware from box and sort by size.
2. Please check to see that all hardware and parts are present prior to start of assembly.
3. Please follow attached instructions in the same sequence as numbered to assure fast and easy assembly.

Component List

Headboard & Footboard

No	Descriptions	Qty
A	Headboard Panel	1
B	Headboard Leg Right (R)	1
C	Headboard Leg Left (L)	1
D	Footboard Panel	1
E	Bottom Slat	1
F	Slat Support Top	1
G	Slat Support Bottom	1
H	Bed Slat Support	3
I	Bed Slat 3 Holes	3
J	Bed Slat 2 Holes	10
K	Slat Cover	1


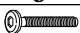






Side Rail

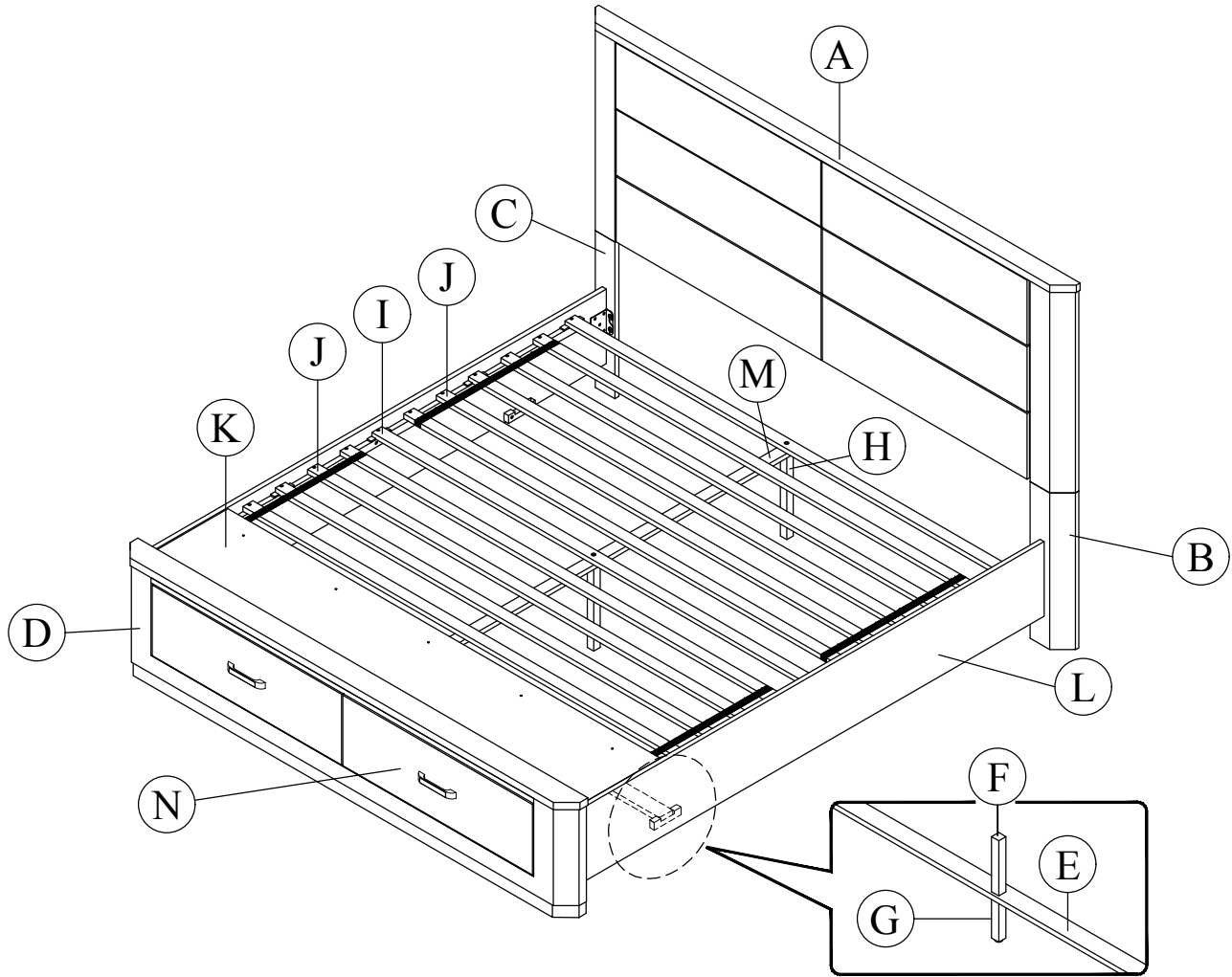
No	Descriptions	Qty
L	Side Rail	2
M	Center Slat With 3 Holes	1

Drawer

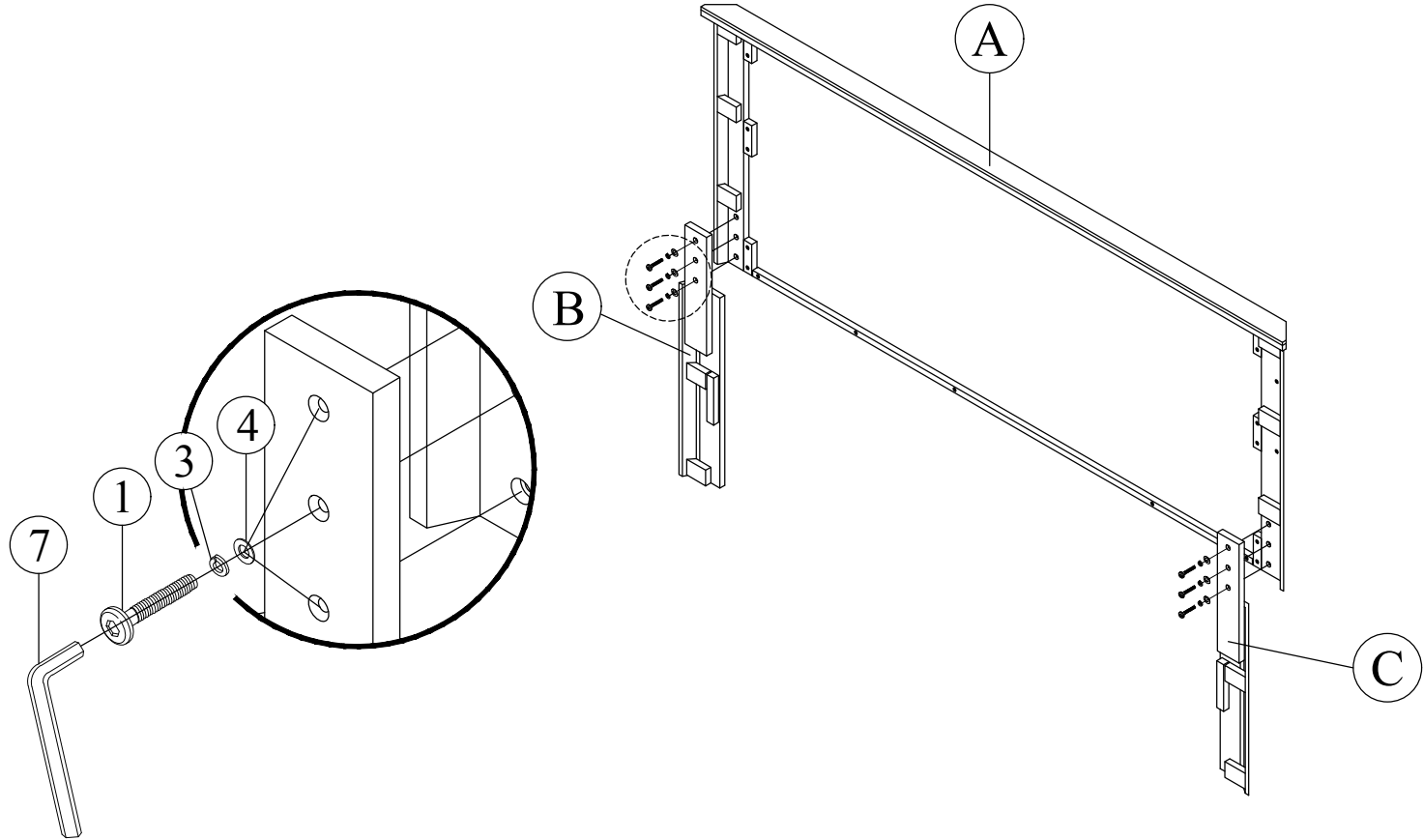
No	Descriptions	Qty
N	Drawer	2

**Hardware List
Headboard & Footboard**

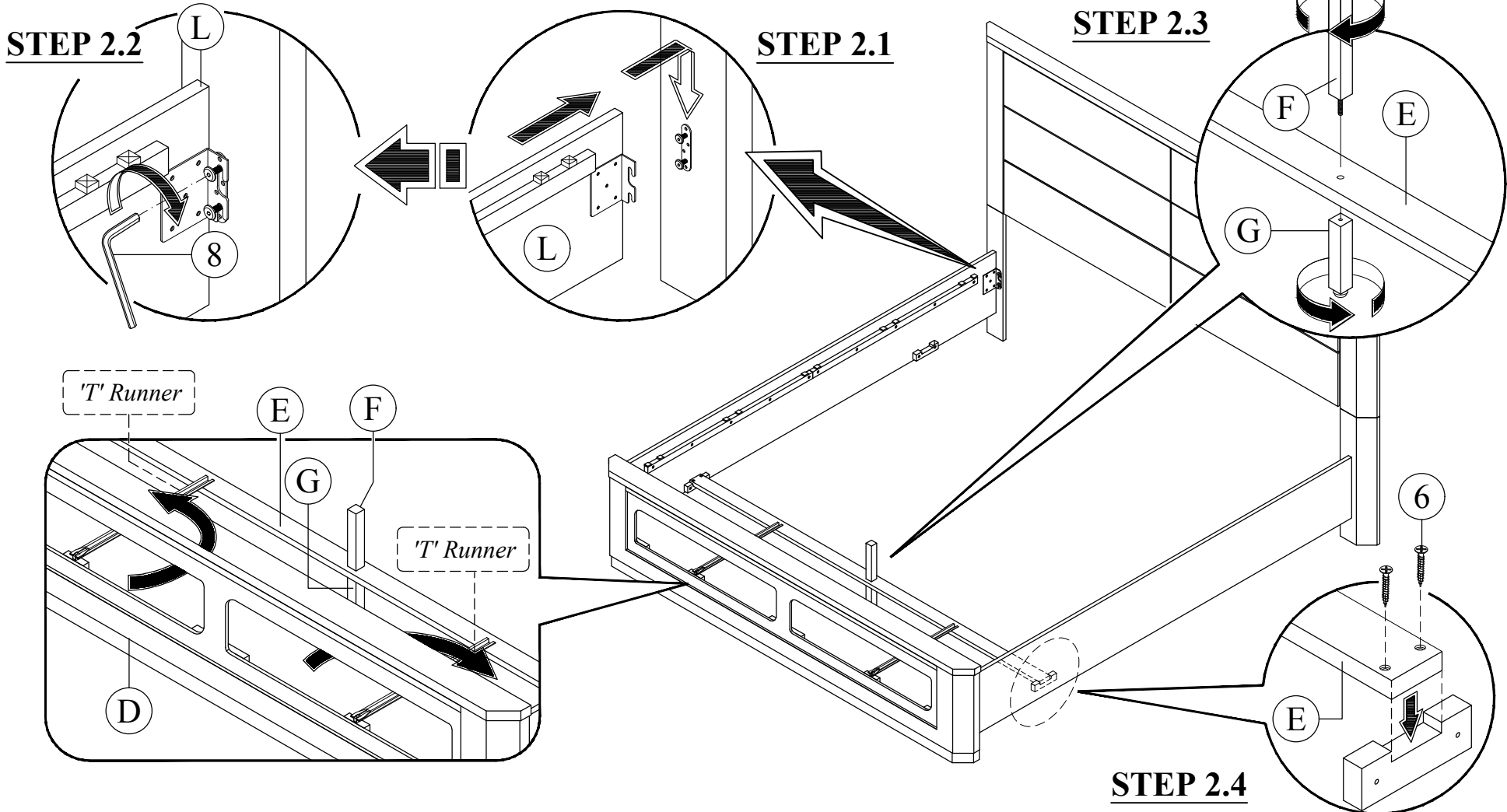
No	Descriptions	Qty
1	JCBC Screw M6 x 30mm 	6
2	JCBC Screw M6 x 50mm 	3
3	Spring Washer Ø 1/4" 	6
4	Flat Washer Ø 1/4" x 13mm 	6
5	CSK M4 x 16mm 	7
6	CSK M4 x 32mm 	30
7	L Key M4 	1
8	L Key M5 	1



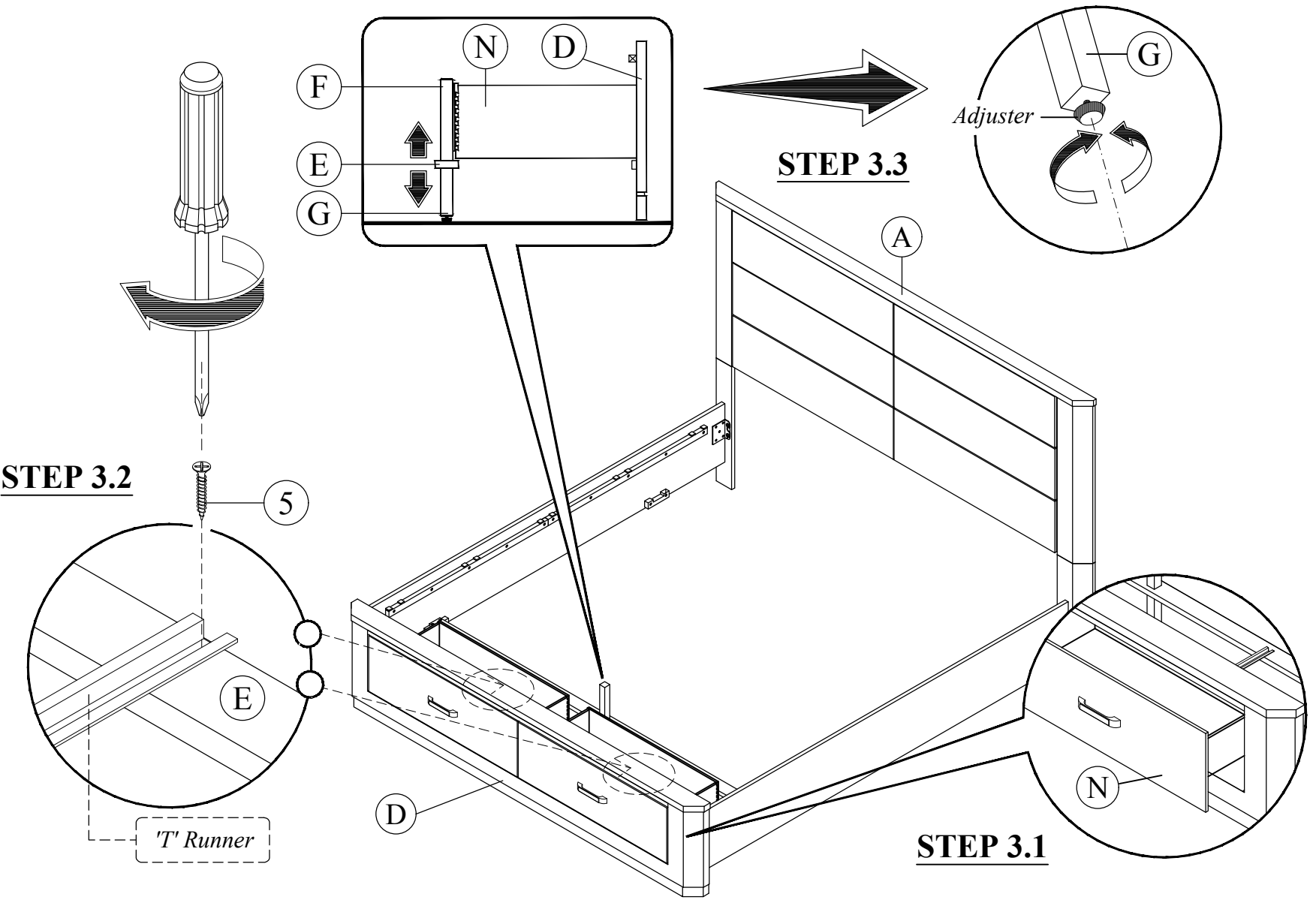
STEP 1.1: Attach & tighten the Headboard Leg (B) & (C) to the Headboard Panel (A). Affix Headboard Panel (A) & Headboard Leg (B) & (C) using JCBC M6 x 30mm (1), Spring washer $\text{\O} \frac{1}{4}$ " (3), Flat washer $\text{\O} \frac{1}{4}$ " x 13mm (4) using L key M4 (7).



- STEP 2.1: Attach the Side Rail (L) to Headboard Leg.
- STEP 2.2: Tighten screw on Headboard Leg (B) & (C) by using L key M5 (8) & repeat the same step on Footboard (D).
- STEP 2.3: Attach the Bottom Slat (E) each to a Slat Support Top (F) and fix with Slat Support Bottom (G).
- STEP 2.4: Fix the Bottom Slat (E) to Side Rail (L) with CSK M4 x 32mm (6).
- STEP 2.5: Move 'T' runner at Footboard (D) to Bottom Slat (E).

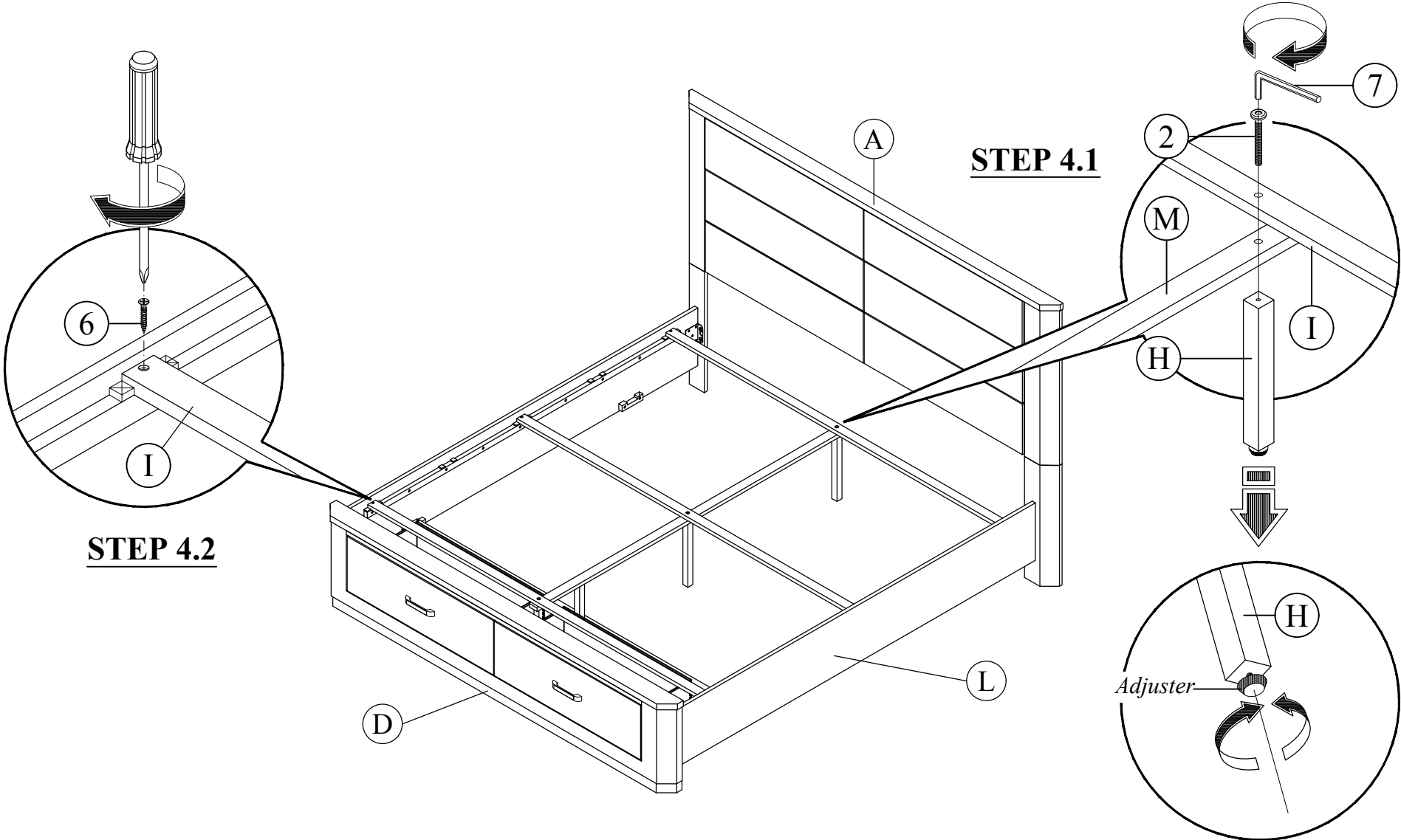


STEP 3.1: Insert Drawer (N) to Footboard (D) until completely closed.
STEP 3.2: Tighten 'T' runner at Footboard (D) to Bottom Slat (E) with CSK M4 x 16mm (5).
STEP 3.3: If Drawer (N) does not close properly, adjust the adjuster at the bottom of Slat Support Top (F) up or down until the Drawer (N) closes tightly.

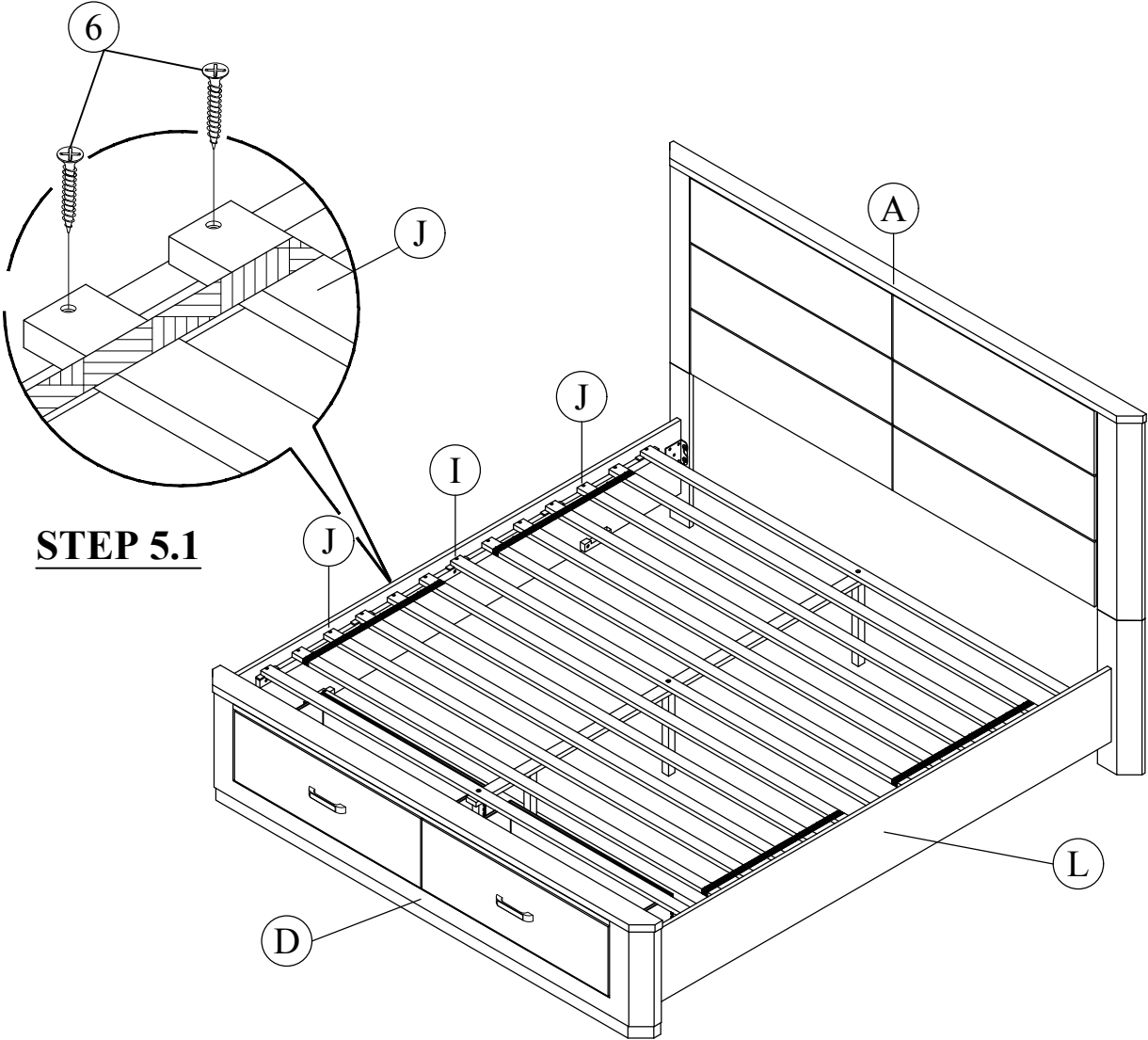


STEP 4.1: Attach the Center Slat with 3 Holes (M), Bed Slat 3 Holes (I) to Bed Slat Support (H). Tighten with JCBC M6 x 50mm (2) by using L Key M4 (7).

STEP 4.2: Tighten Bed Slat 3 Holes (I) to Side Rail (L) with CSK M4 x 32mm (6).

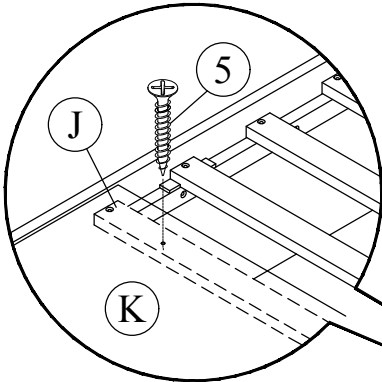


STEP 5.1: Attach Bed Slat 2 Holes (J) and tighten to Side Rail (L) with CSK M4 x 32mm (6).



STEP 5.1

STEP 5.2: Attach the Slat Cover (K) to top Bed Slat 3 Holes (I) & Bed Slat 2 Holes (J) .
STEP 5.3: Tighten Slat Cover (K) to Bed Slat 2 Holes (J) with CSK M4 x 16mm (5).



STEP 5.2 & 5.3

