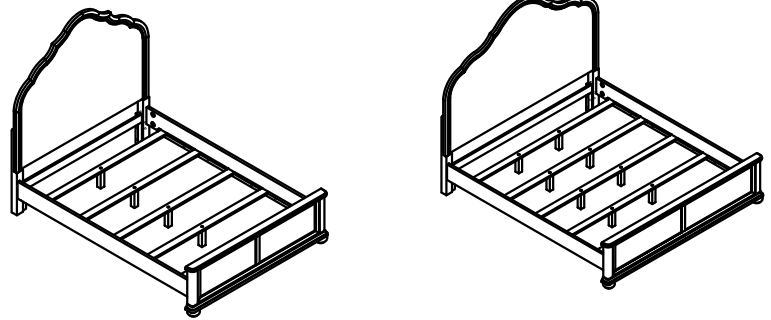


ASSEMBLY INSTRUCTIONS

309-314C

309-317C/309-318C



TOOLS REQUIRED:

- Wrench (supplied, part # D)
- Screwdriver (not supplied)

BEFORE YOU START:

1. Check the parts against the parts list to make sure all items are present.
2. Assemble your furniture on a soft, flat surface to avoid scratching the finish.
3. CAUTION: Do not over tighten screws, nuts or bolts during assembly.
4. Your furniture may require occasional tightening.

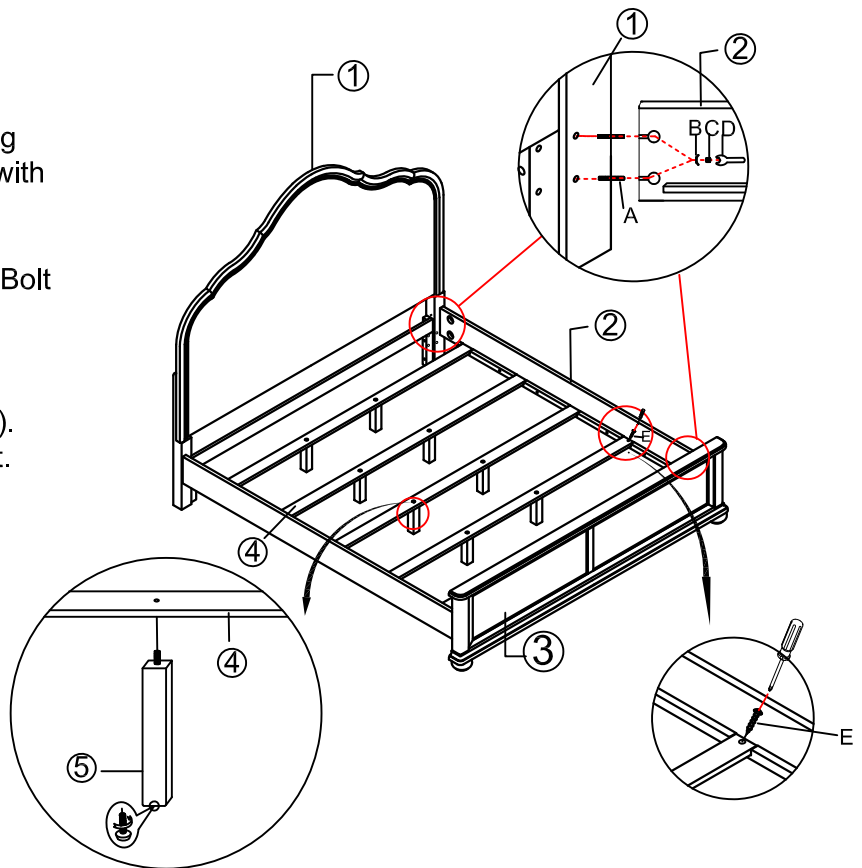
INSTRUCTIONS:


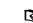



1. Attach two side rails (2) to headboard (1) by using Bolt (A), Curved washer (B), Nut (C) and tighten with Wrench (D). As shown on Figure 1 .

2. Attach two side rails (2) to footboard (3) by using Bolt (A), Curved washer (B), Nut (C) and tighten with Wrench (D). As shown on Figure 1 .

3. Put slats (4) onto side rails (2), fix it with Screw (E). Attach middle legs (5) onto each slats by turning it. Adjust the leveler on middle legs if necessary. As shown on Figure 1 .

Figure 1



HARDWARE LIST				
NO.	DRAWING	DESCRIPTION	SIZE	Q'TY
A		Bolt	Ø5/16"x4"	8PCS
B		Curved washer	Ø5/16"	8PCS
C		Nut	Ø5/16"	8PCS
D		Wrench	Ø5/16"	1PC
E		Screw	1 1/4"	10PCS

Thank you for purchasing furniture
from american drew!