

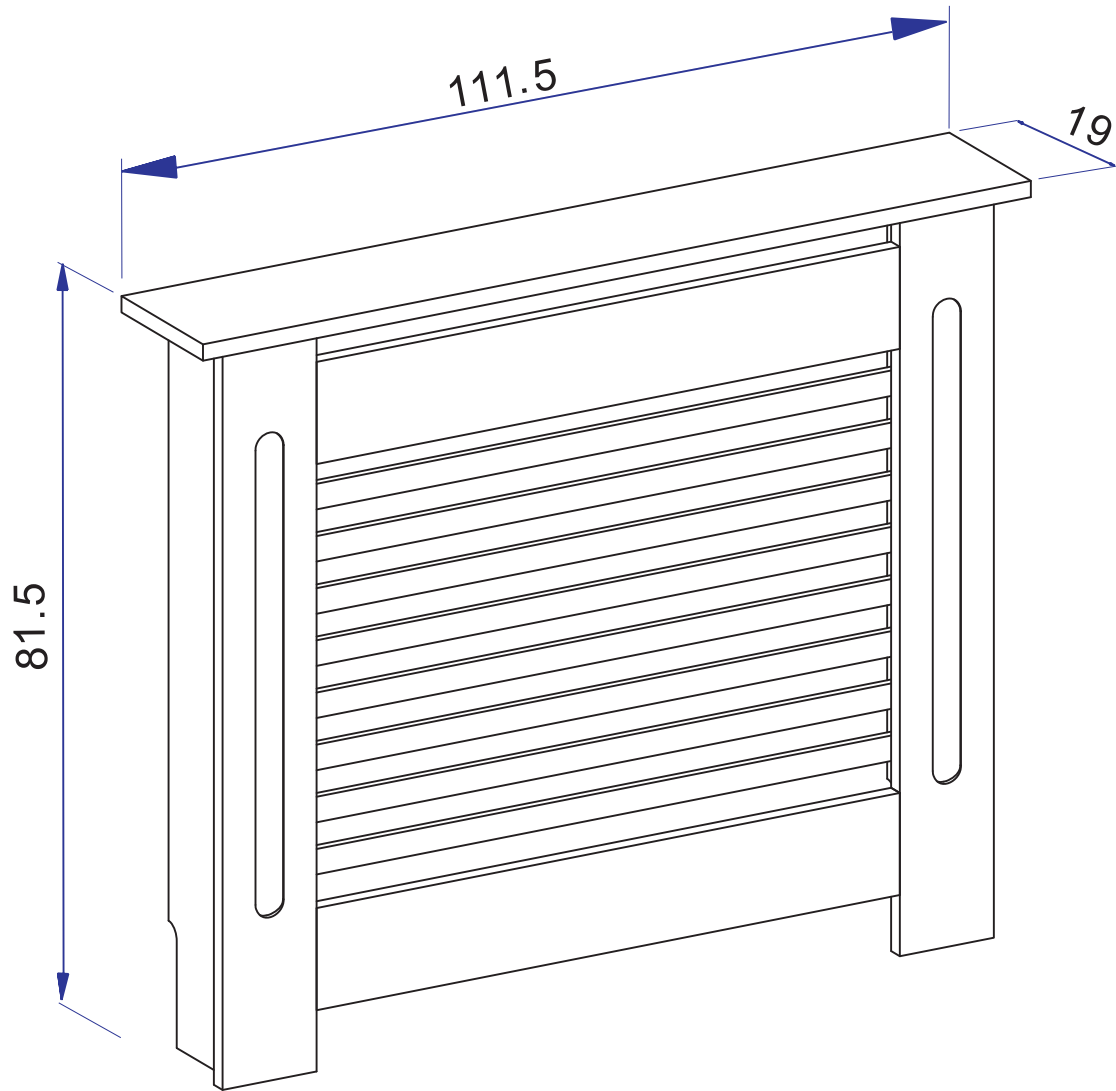
# GLOBAL PROCUREMENT AND MARKETING LIMITED


## York Medium Radiator Cover

Assembly Instructions – Please keep for future reference

RADYORSGY

RADYORSWT



Dimensions	No. people	Assembly Time	SKU #
Width: 111.5 cm Depth: 19 cm Height: 81.5 cm		20 mins (approx.)	

### Important

- PLEASE READ THESE INSTRUCTIONS FULLY BEFORE STARTING ASSEMBLY
- PLEASE DO NOT THROW THE PACKAGING AWAY UNTIL YOU ARE SATISFIED WITH PURCHASE, GOODS NEED TO BE RETURNED IN ORIGINAL PACKAGING.

# ⚠ Safety and Care Advice

## Important

- PLEASE READ THESE INSTRUCTIONS FULLY BEFORE STARTING ASSEMBLY
- PLEASE DO NOT THROW THE PACKAGING AWAY UNTIL YOU ARE SATISFIED WITH PURCHASE, GOODS NEED TO BE RETURNED IN ORIGINAL PACKAGING.

- Check you have all the components and tools listed on pages 4 and 5.
- Remove all fittings from the plastic bags and separate them into their groups.
- Keep children and animals away from the work area, small parts could choke if swallowed.
- Make sure you have enough space to lay out the parts before starting.
- Do not stand or put weight on the product, this could cause damage.
- Assemble the item as close to its final position (in the same room) as possible.
- Assemble on a soft, level surface to avoid damaging the unit or your floor.
- We do not recommend the use of power drill/drivers for inserting screws, as this could damage the unit. Only use hand screwdrivers.
- Dispose of all packaging carefully and responsibly.



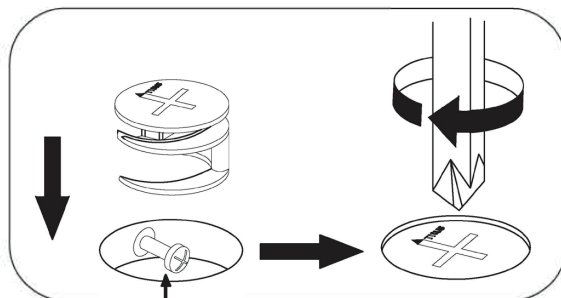
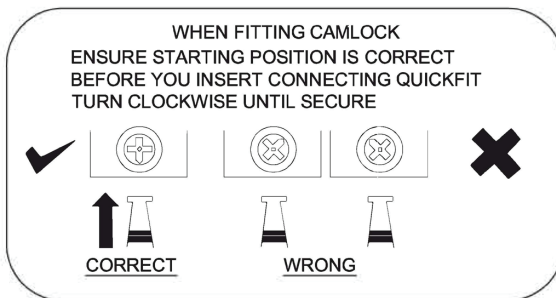
## Care and Maintenance

- Only clean using a damp cloth and mild detergent, do not use bleach or abrasive cleaners.
- From time to time check that there are no loose screws on this unit.
- This product should not be discarded with household waste. Take to your local authority waste disposal centre.

If kept outside please ensure in the winter months that the product is correctly covered or put away into a dry environment to prevent corrosion, weathering or damage.

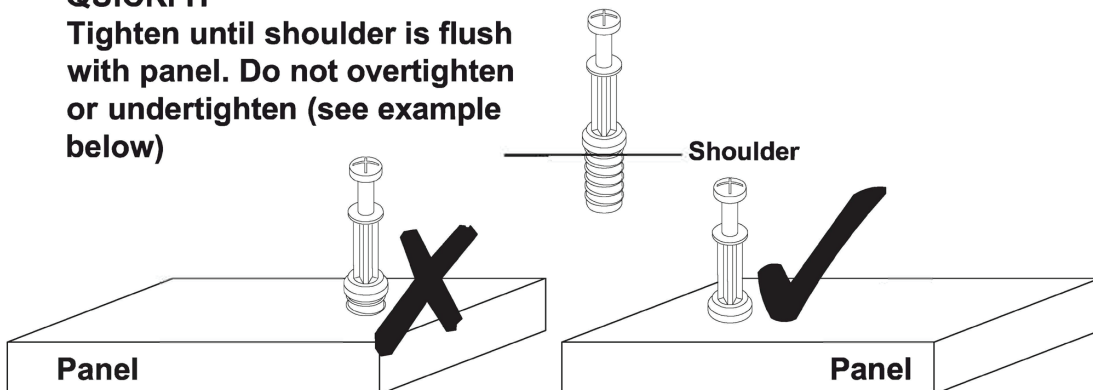
If your product is not designed to be outside, we recommend that it is always kept indoors in a dry environment.

## SPECIAL TIPS FOR FITTING CAM-LOCKS AND QUICKFIT



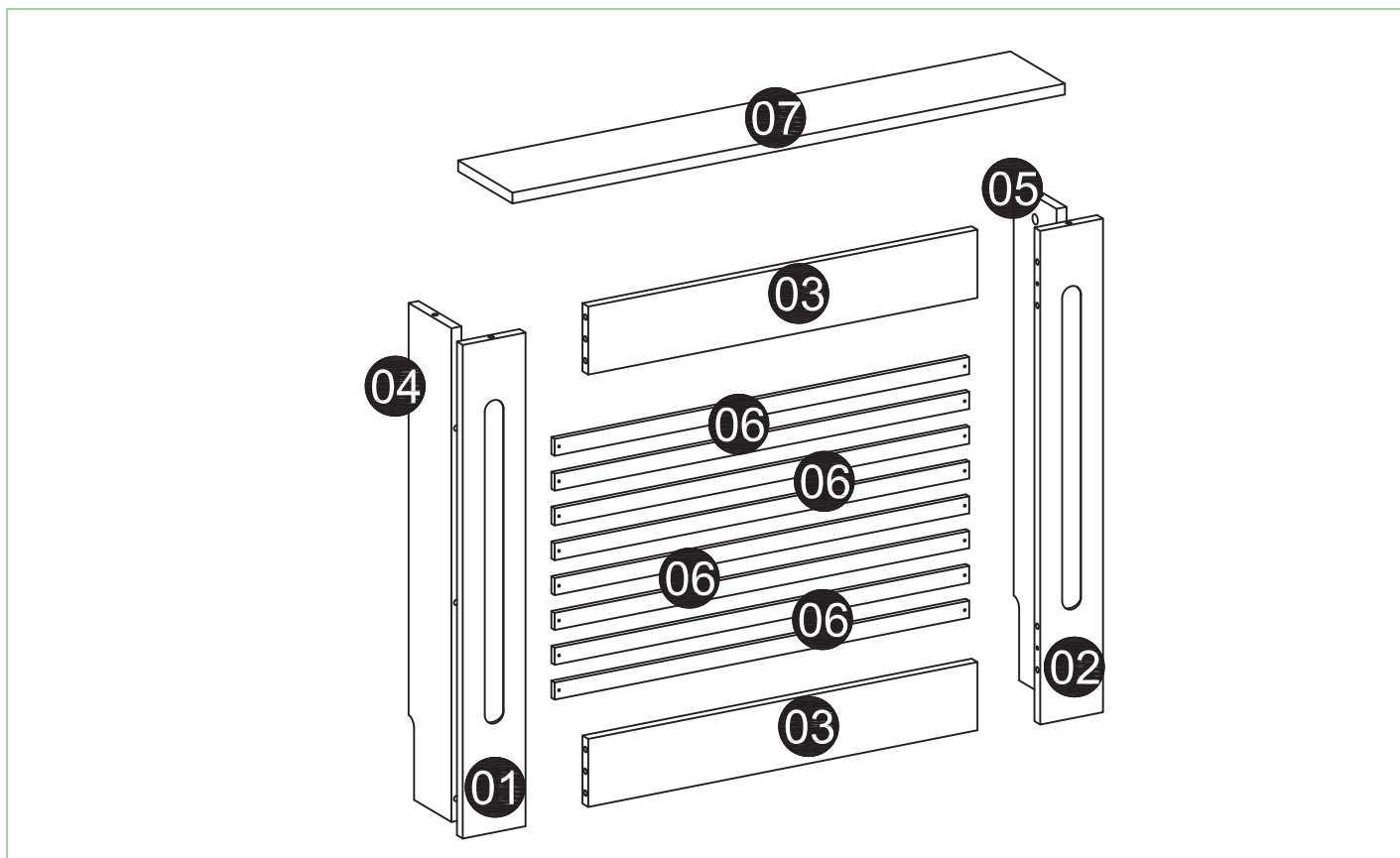
### QUICKFIT

**Tighten until shoulder is flush with panel. Do not overtighten or undertighten (see example below)**



**If you are unhappy with the product and wish to return it, please follow the retailer's returns procedure.**

# Exploded View



## Components - Panels

Please check that you have all the components listed below before constructing your item.




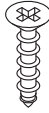


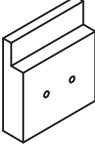
Part No	Description	Qty	Size (mm)	Thickness (mm)
1	LEFT PANEL	1	810x113	12
2	RIGHT PANEL	1	810x113	12
3	TOP RAIL AND BOTTOM RAIL	2	850x105	12
4	LEFT LEG	1	810x168	12
5	RIGHT LEG	1	810x168	12
6	CENTRAL SLATS	8	895x47	5
7	TOP PANEL	1	1115x190	12

**Important** – Please read these instructions fully before starting assembly

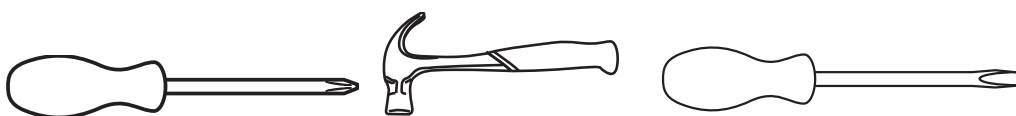
# Components - Fixings

Please check that you have all the components listed below before constructing your item.

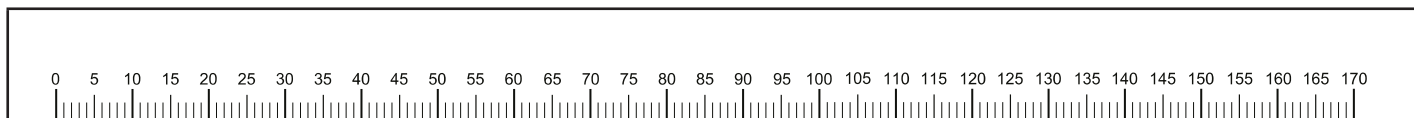
**Note:** The quantities below are the correct amount to complete the assembly. In some cases more fittings may be supplied than are required.

(A)	CAM lock dowel x14 	(B)	CAM lock x14 	(C)	Wood dowel x8 	(D)	Screw x16 
(E)	Screw x4 	(F)	Wall anchor x4 	(G)	Wood block x2 		

## Tools Required



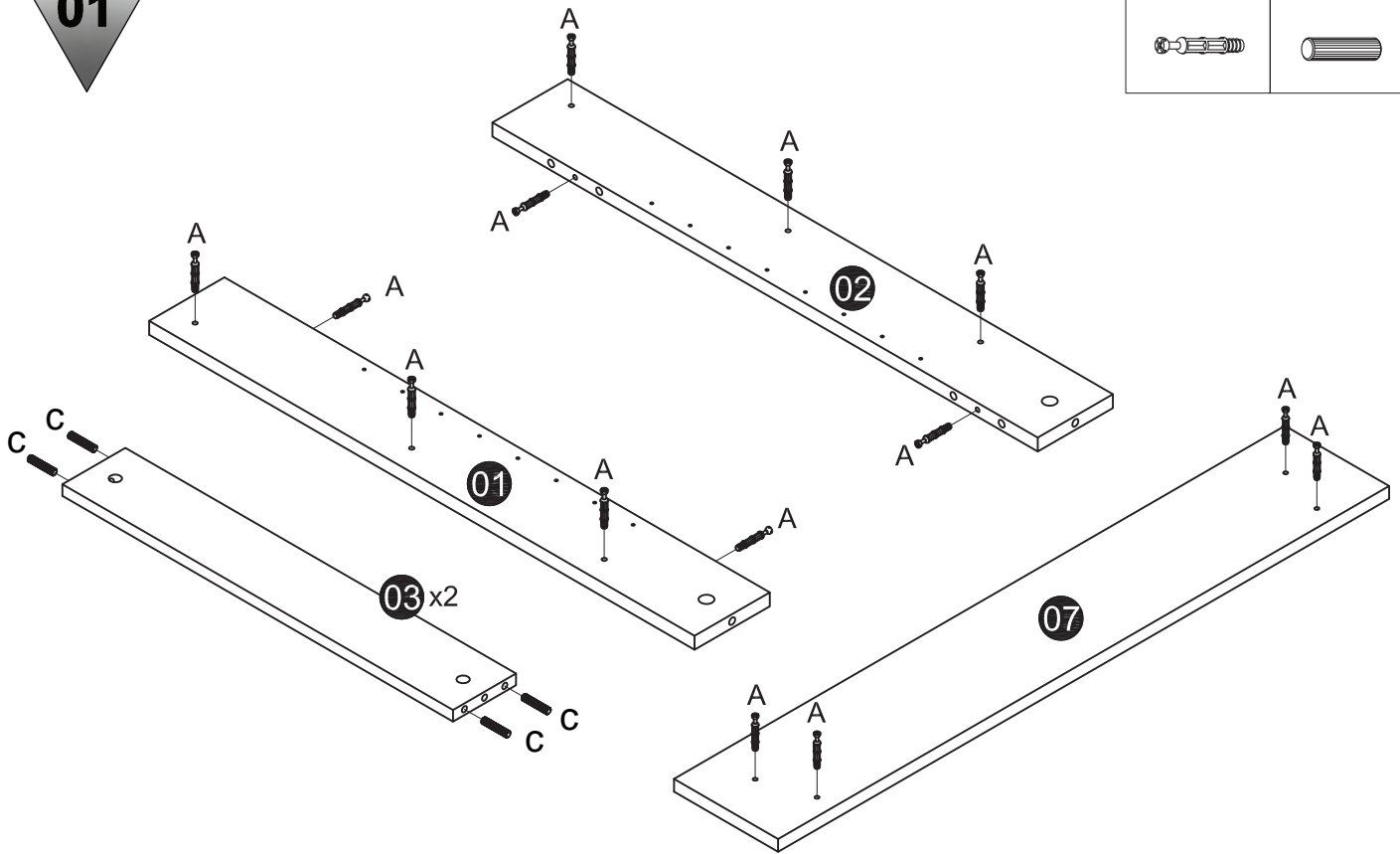
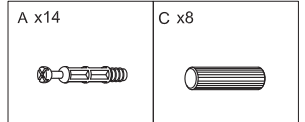
**Ruler** – Use this to measure your screws (mm)



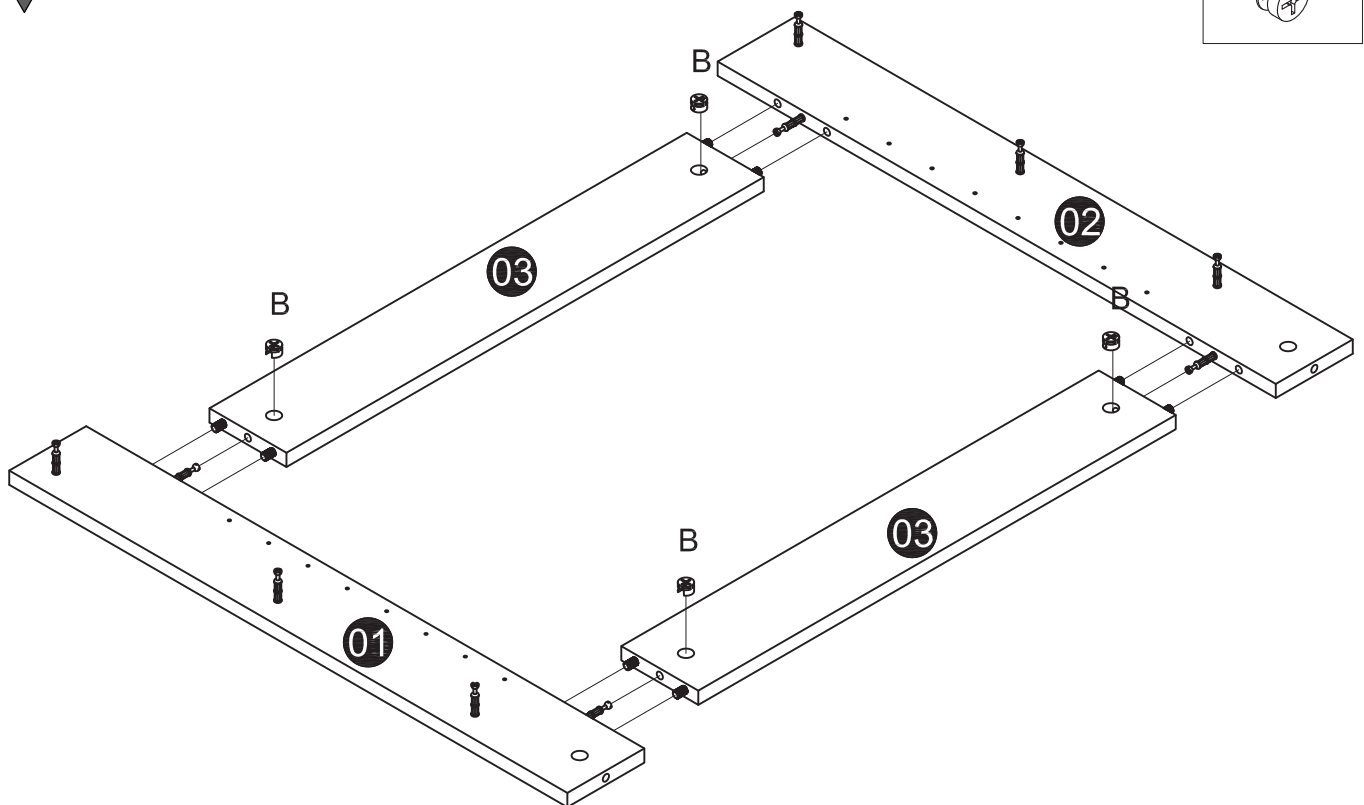
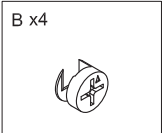
**Important** – Please read these instructions fully before starting assembly

# Assembly Instructions

01

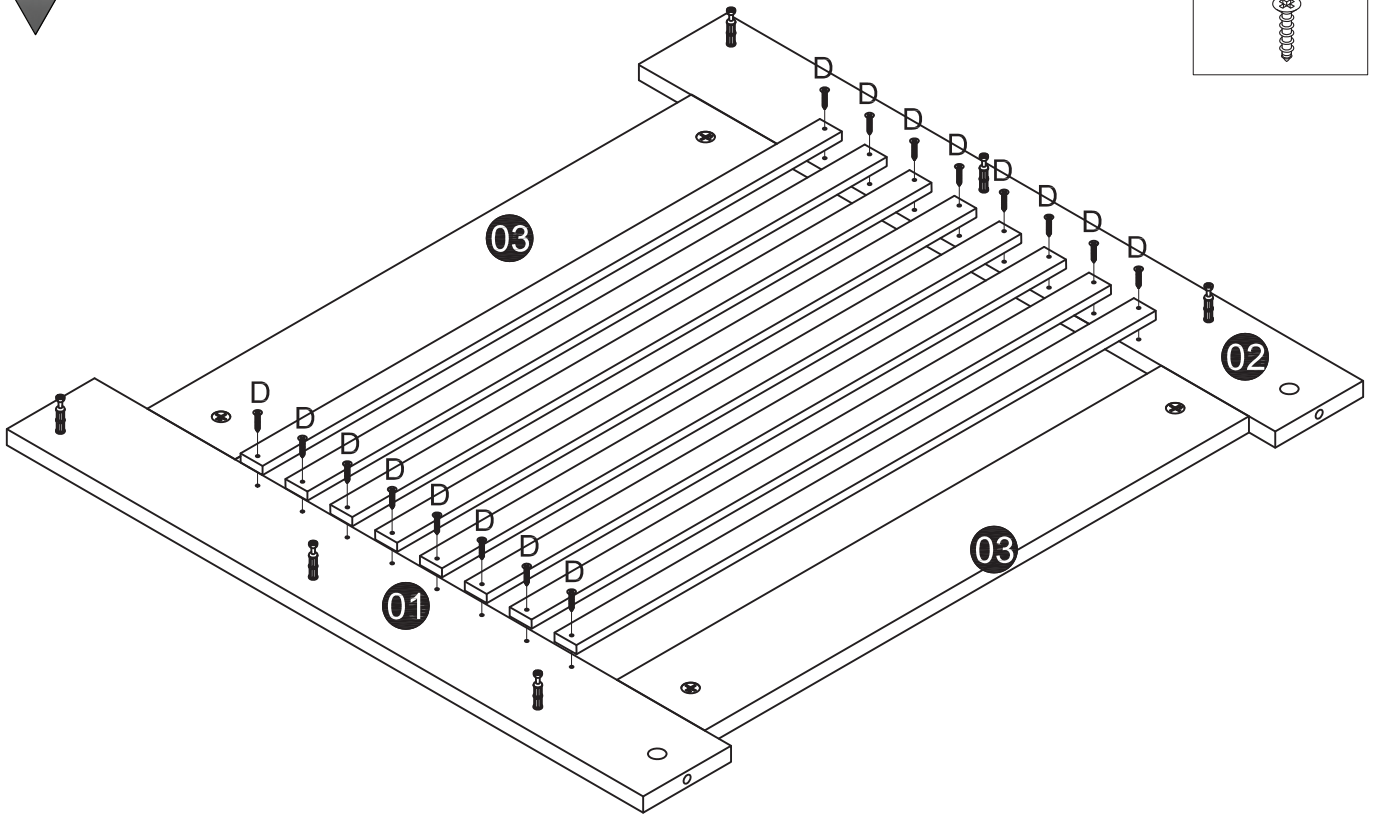


02



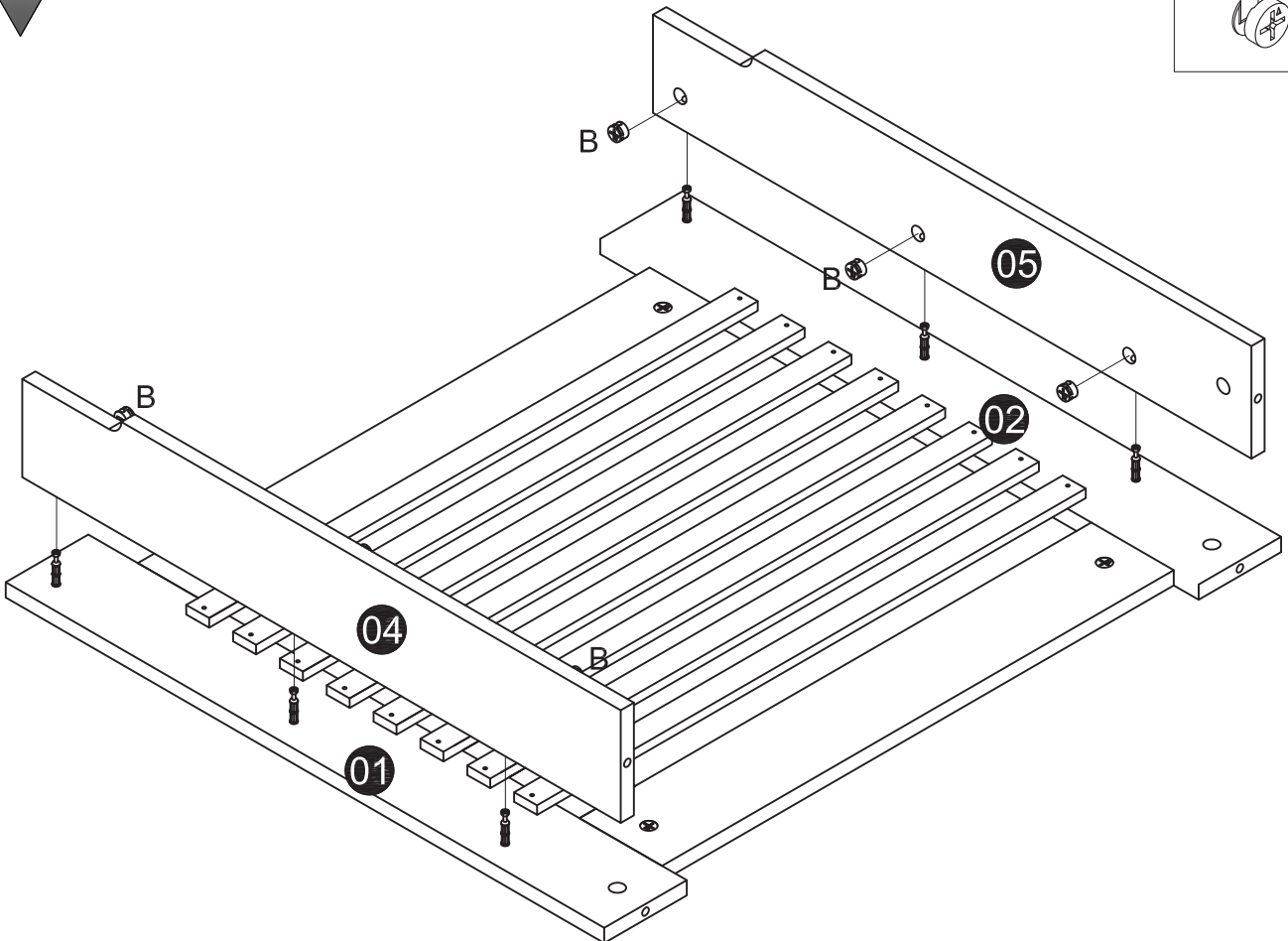
03

D x16

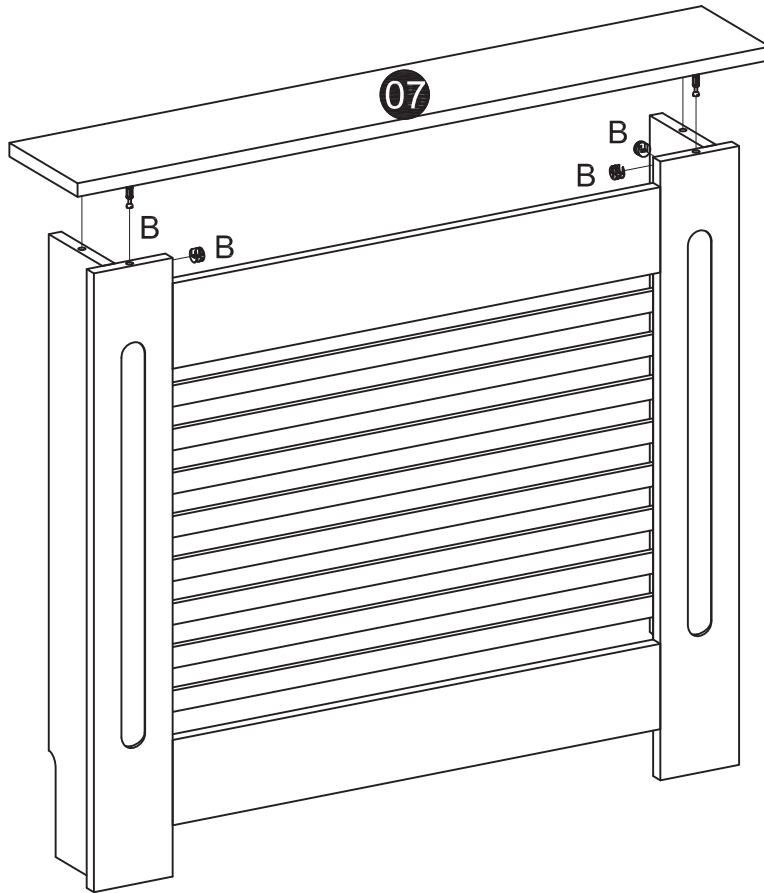


04

B x6



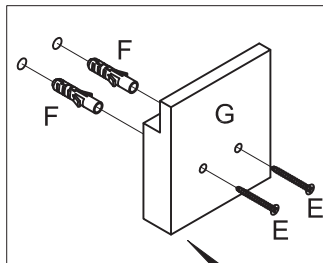
05



B x4



06



E x4



F x4



G x2



