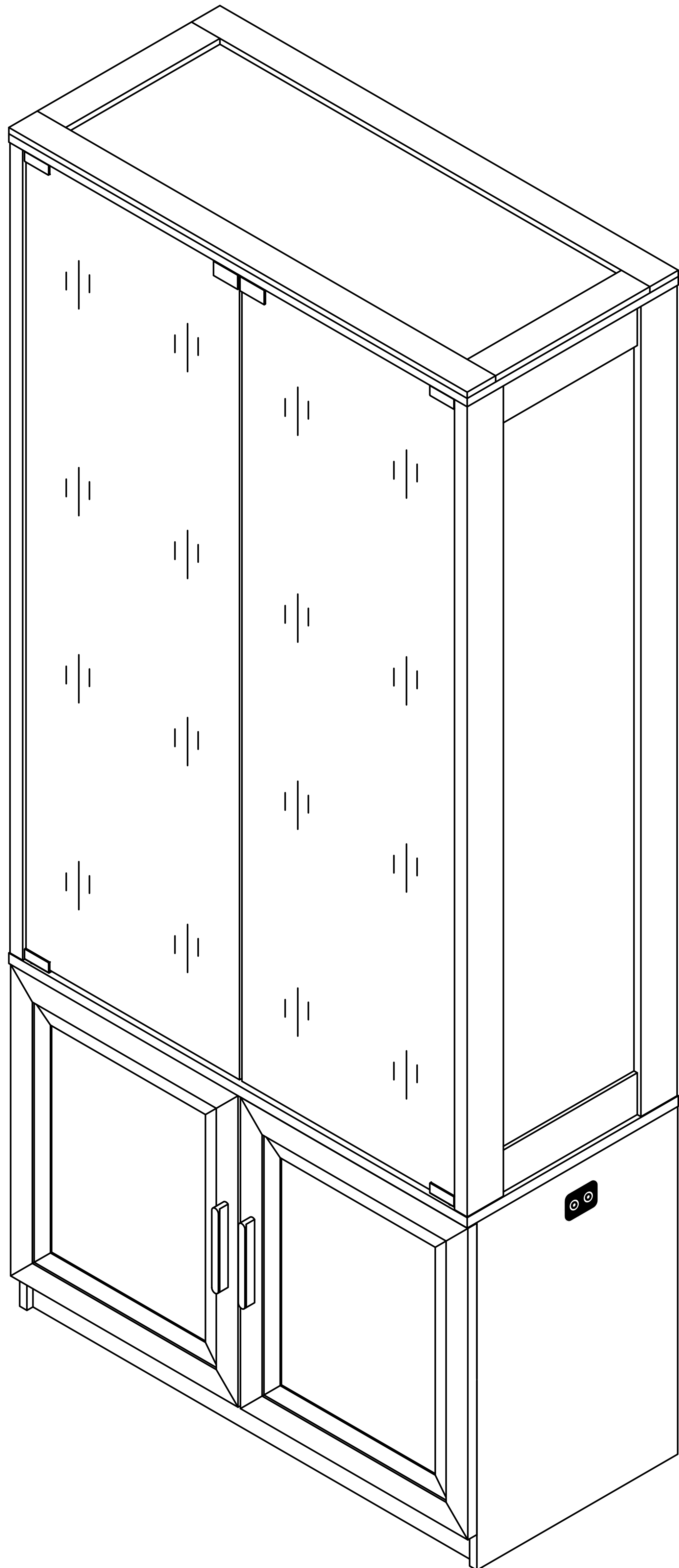
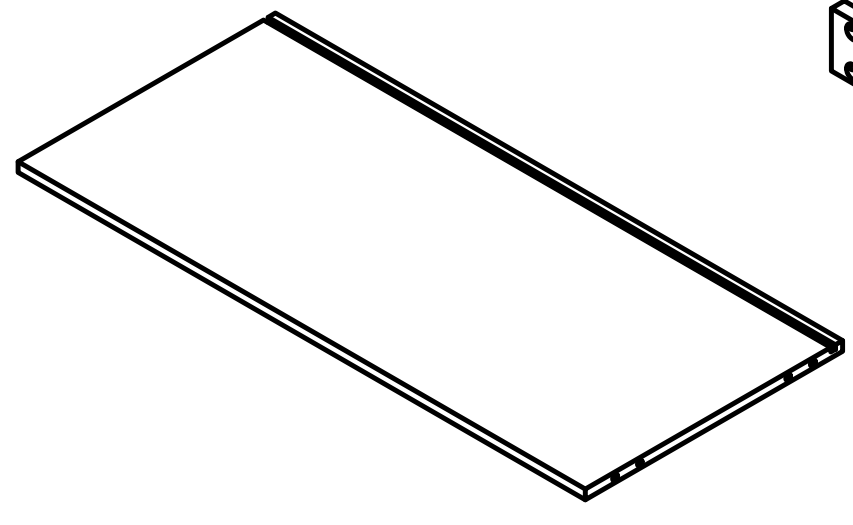
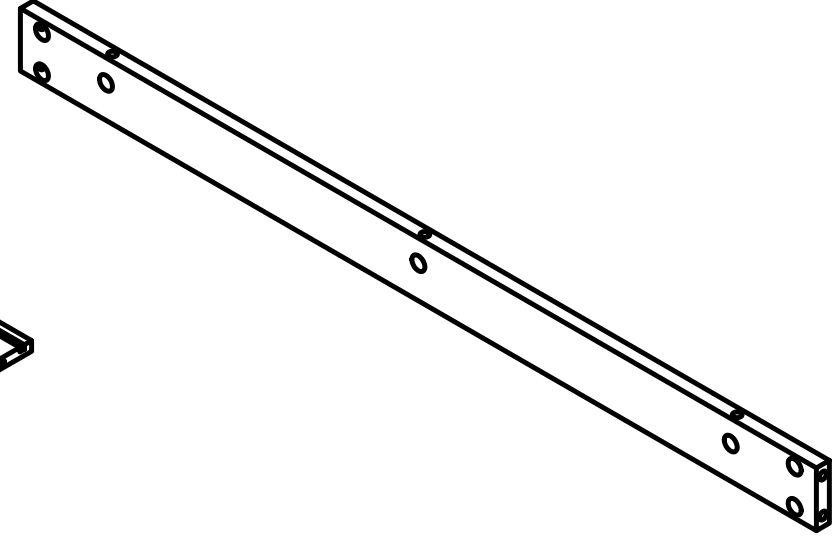


Product Installation Instructions

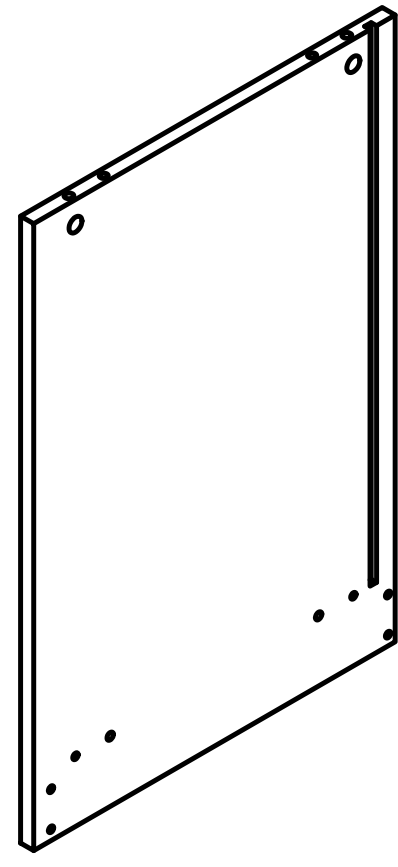




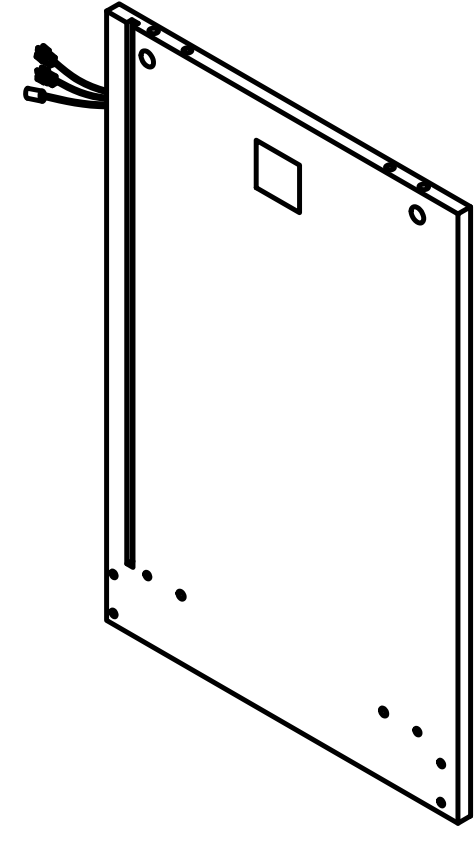
Ax1



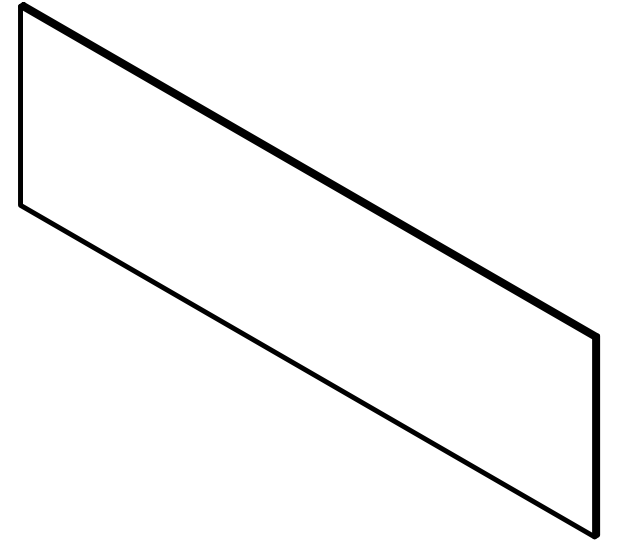
Bx2



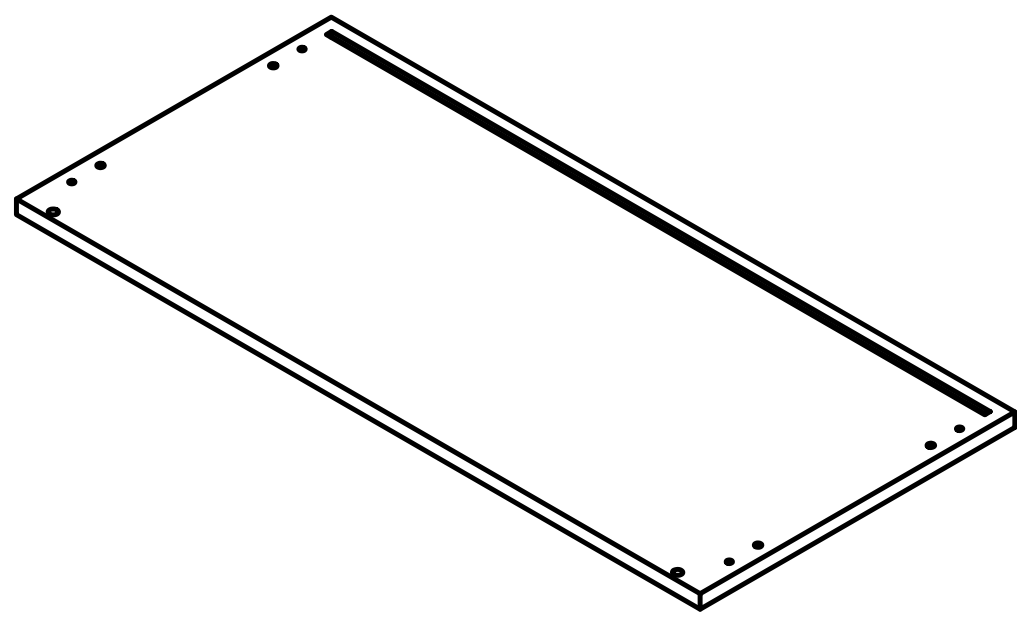
Cx1



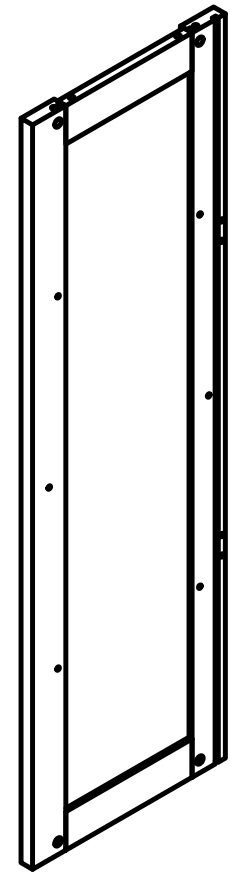
Dx1



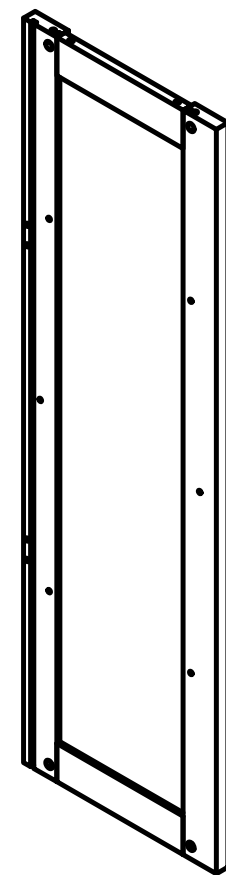
Ex2



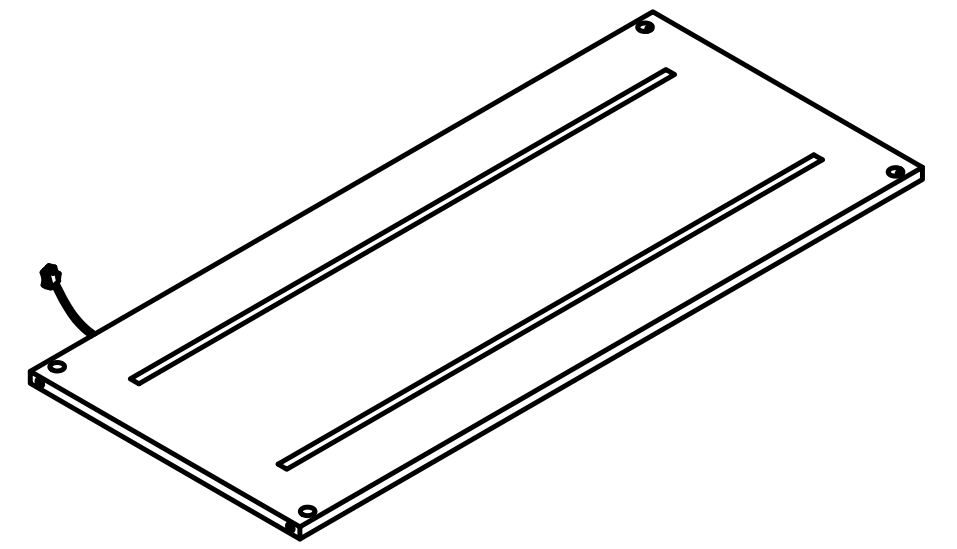
Fx1



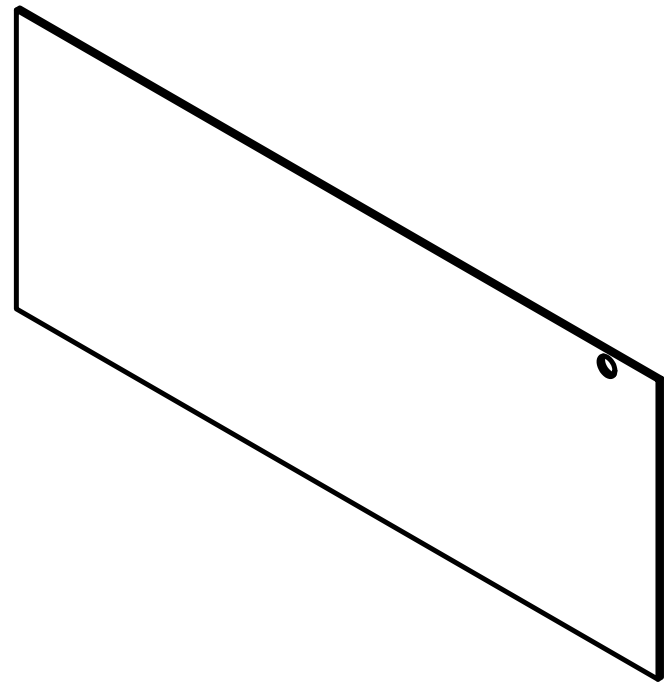
Gx1



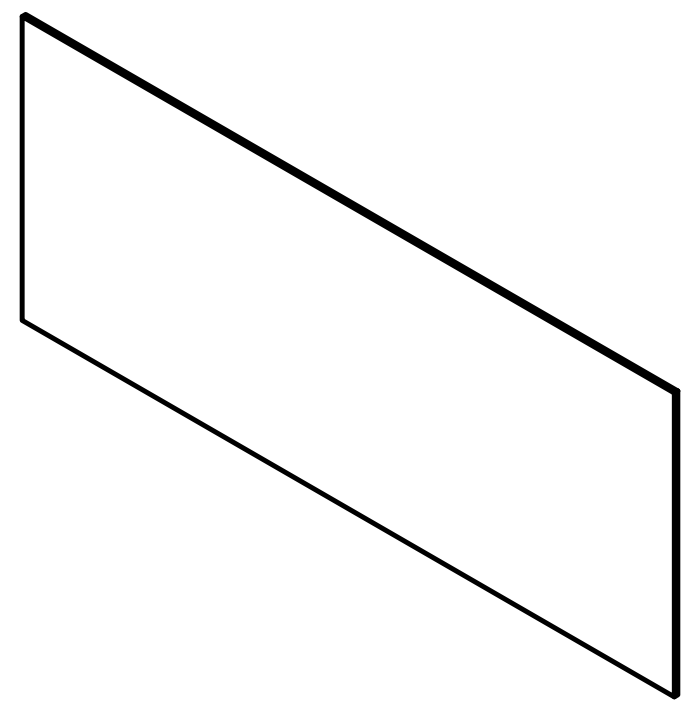
Hx1



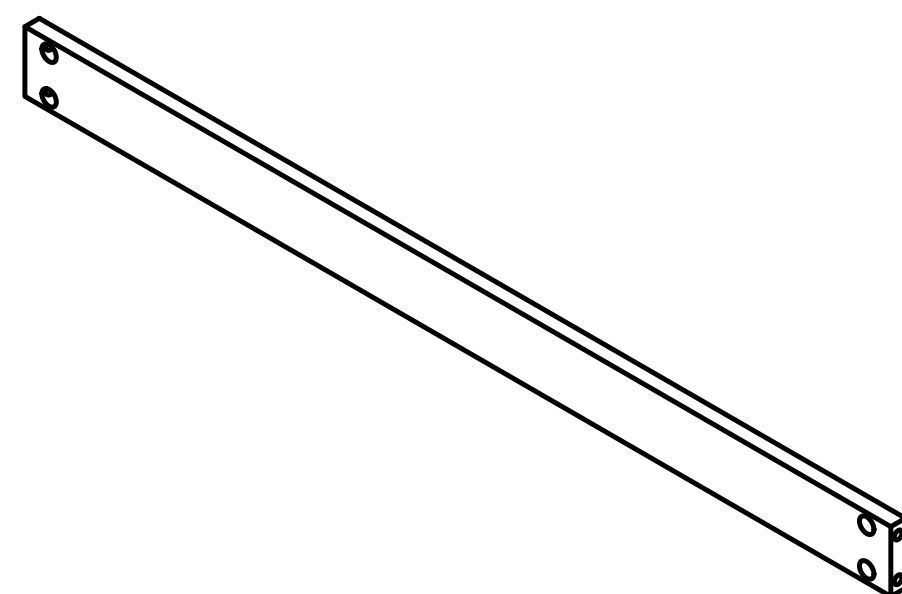
Ix1



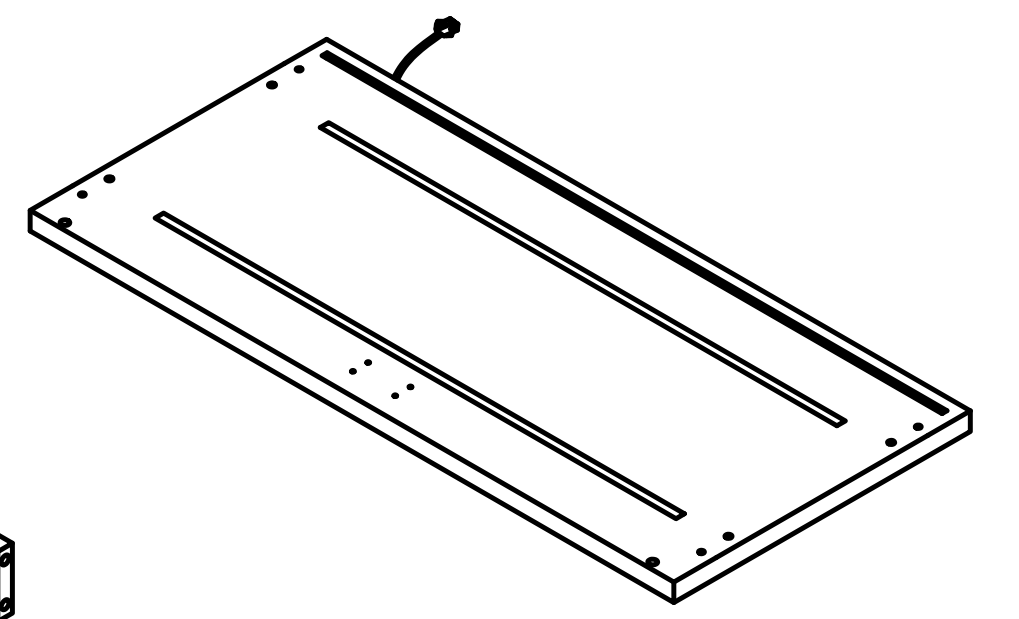
Jx1



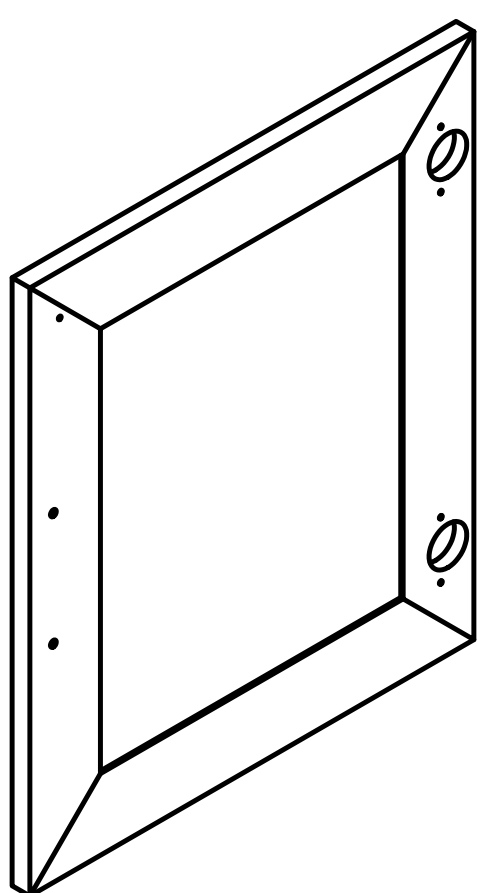
Kx3



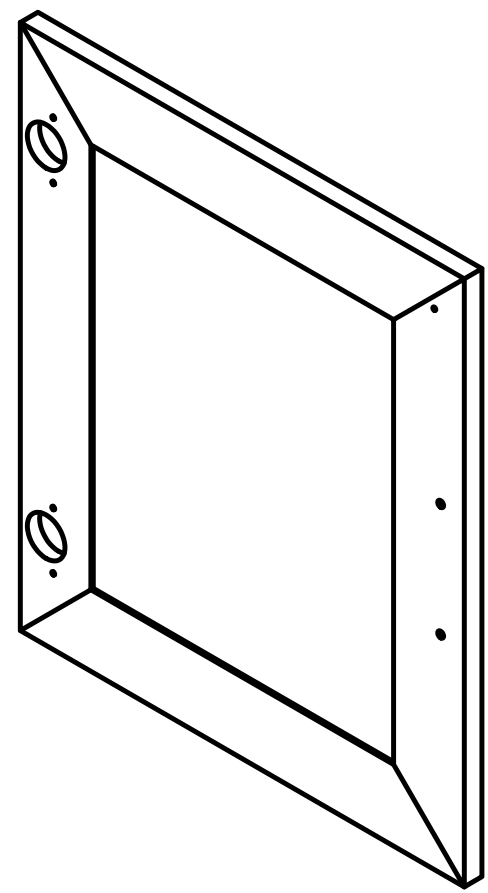
Lx2



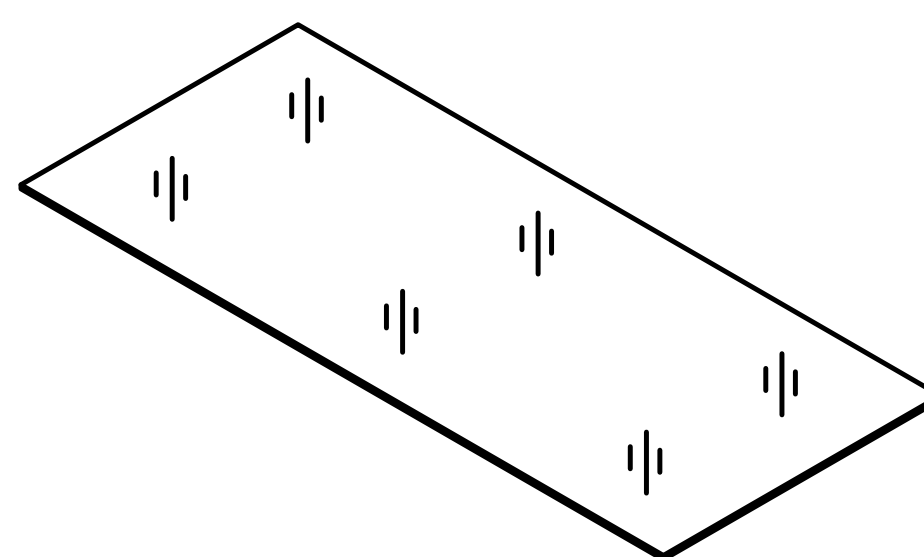
Mx1



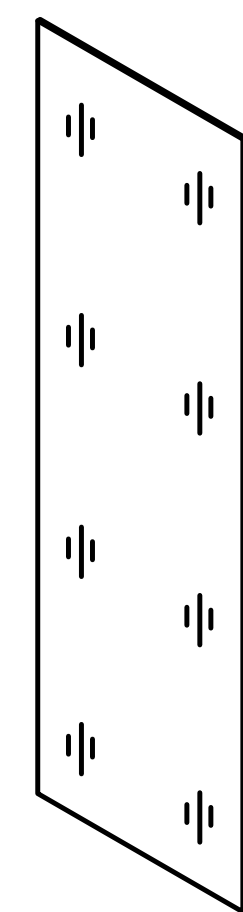
Nx1



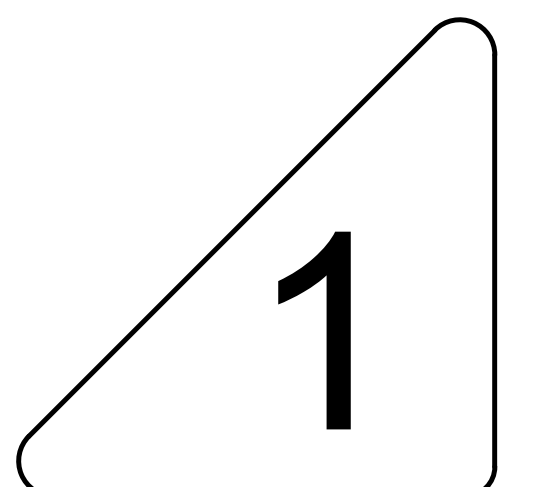
Ox1



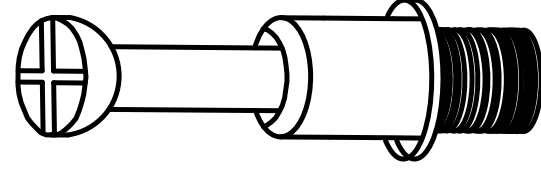
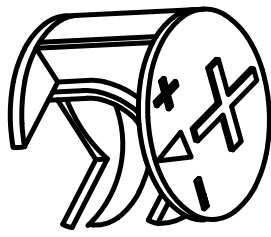
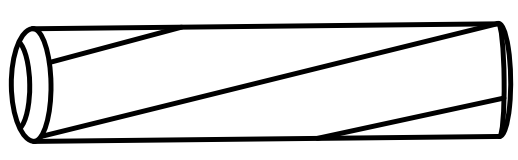
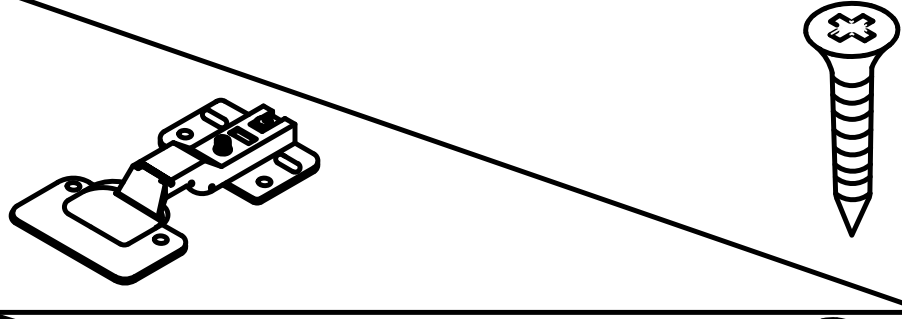
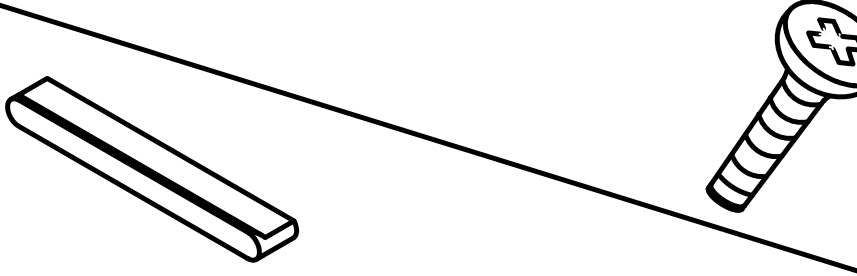

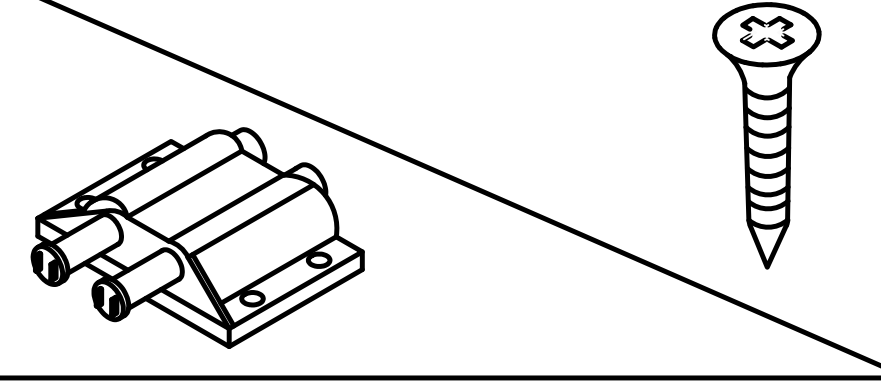
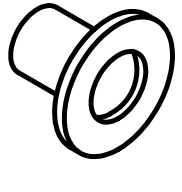
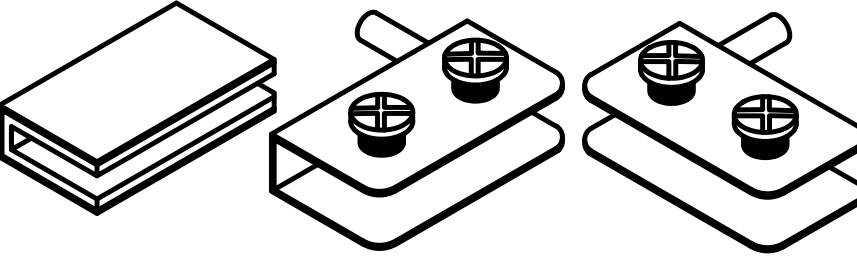
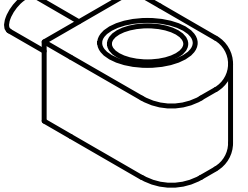
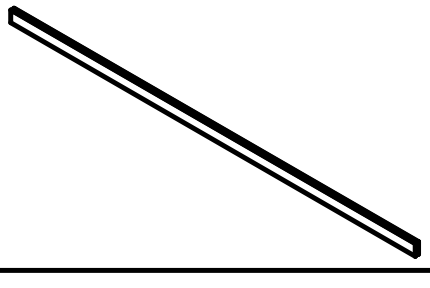
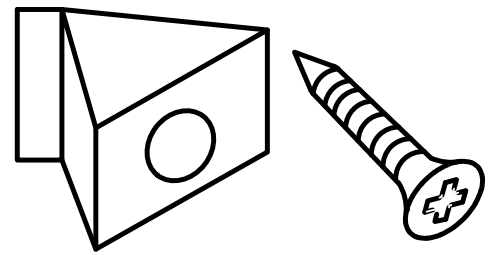
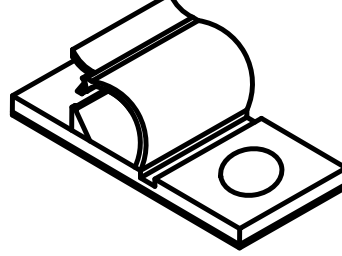
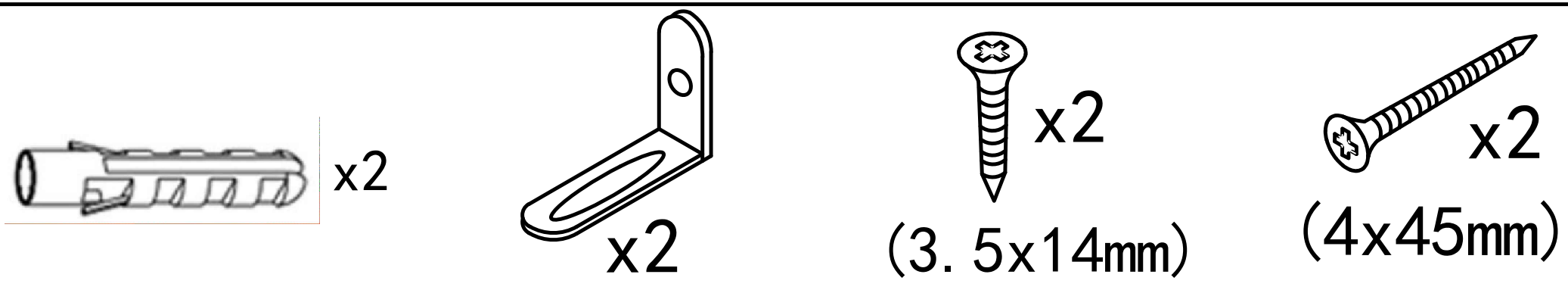
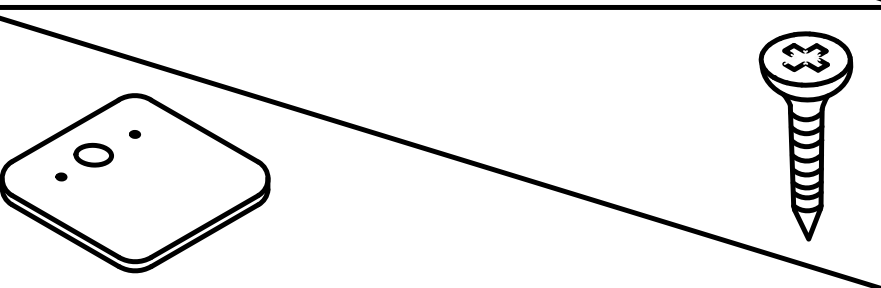
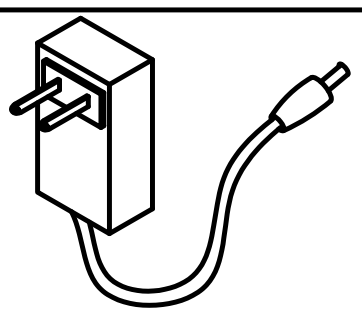
Px2



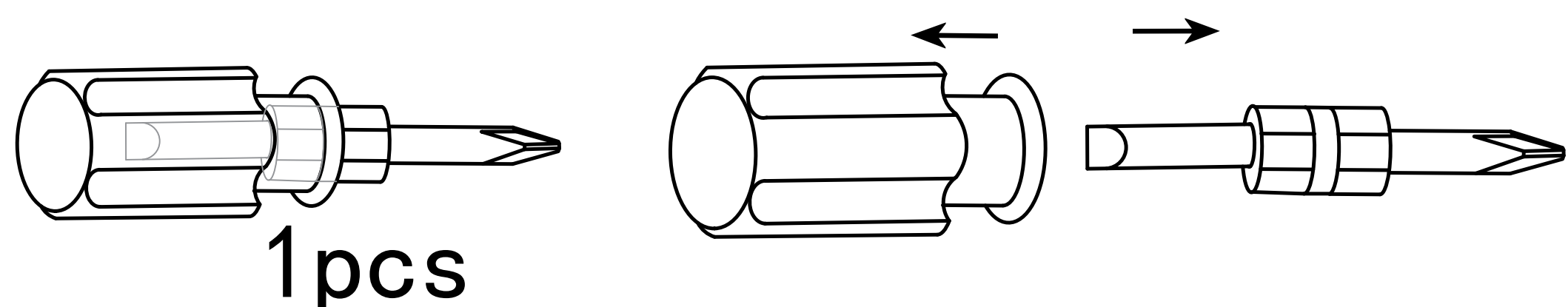
Qx2



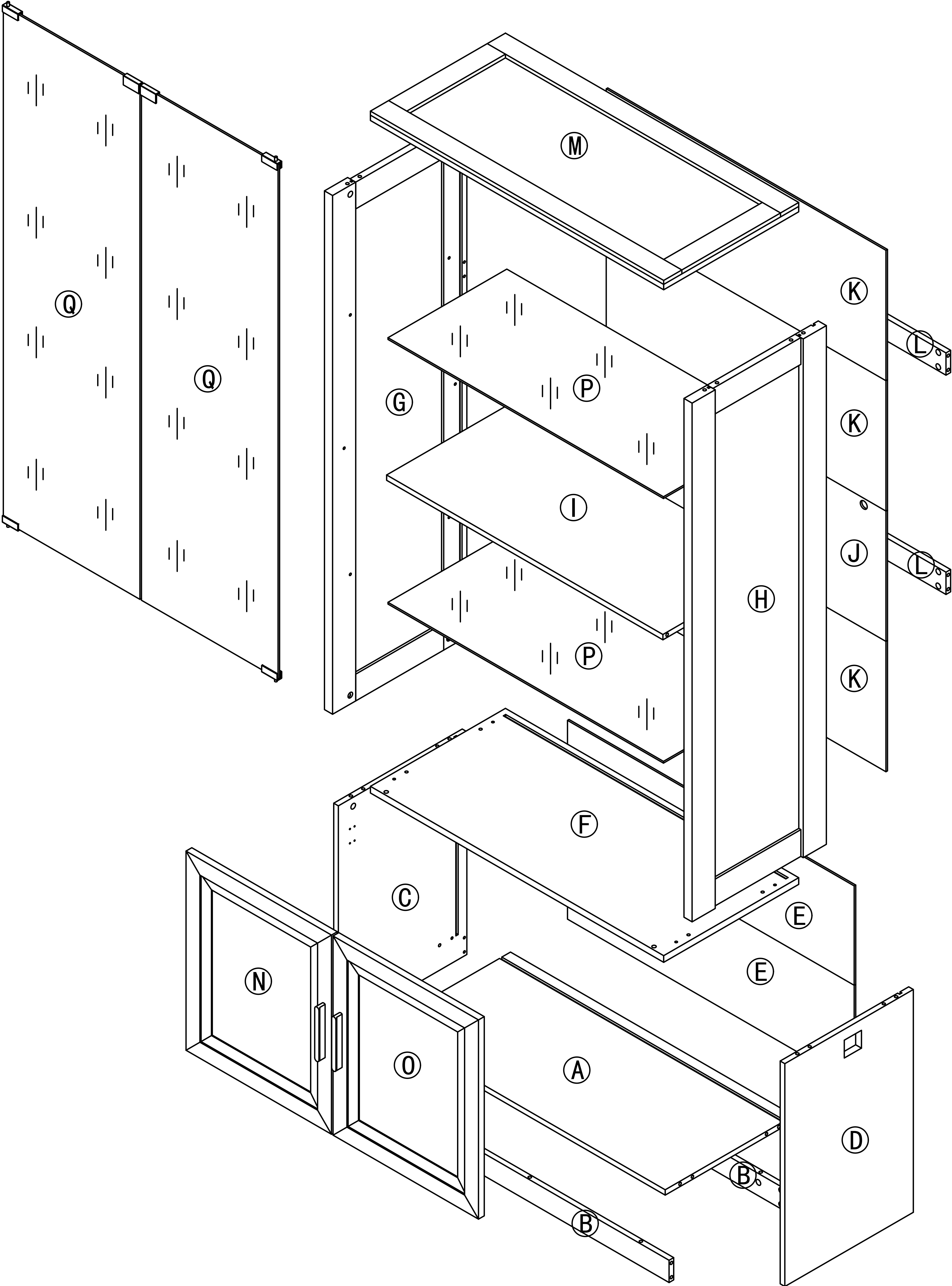
1

①		Two in one screw (6x28mm)	42pcs +4pcs
②		Two in one nut (10x12mm)	42pcs +4pcs
③		Wood chipping (6x30mm)	16pcs +4pcs
④		Hinge & Screw (3.5x12mm)	24pcs +4pcs 4pcs
⑤		Handle & Screw (4x18mm)	4pcs +1pcs 2pcs
⑥		Non-slip pads (50x10)	6pcs
⑦		Rebound device & Screw (3x16mm)	4pcs +1pcs 1pcs
		Rubber ring	4pcs
		Iron sheet & Hinge	2pcs
⑧		Laminate support nail	8pcs +1pcs
⑨		Backboard card strip(714mm)	2pcs
⑩		Fixing clip & screw (3x16mm)	22pcs +2pcs
⑪		Wire clamp	3pcs +1pcs
⑫	Anti Fall Hardware	 x2 x2 (3.5x14mm) x2 (4x45mm) x4	
⑬		Door Magnet & Screw (3x12mm)	2pcs +1pcs 1pcs
⑭		Iron Sheet & Screw (3x12mm)	2pcs +1pcs 2pcs
		AC/DC Adapter (12V=3.0A)	1pcs

Double-head screwdriver, use as required

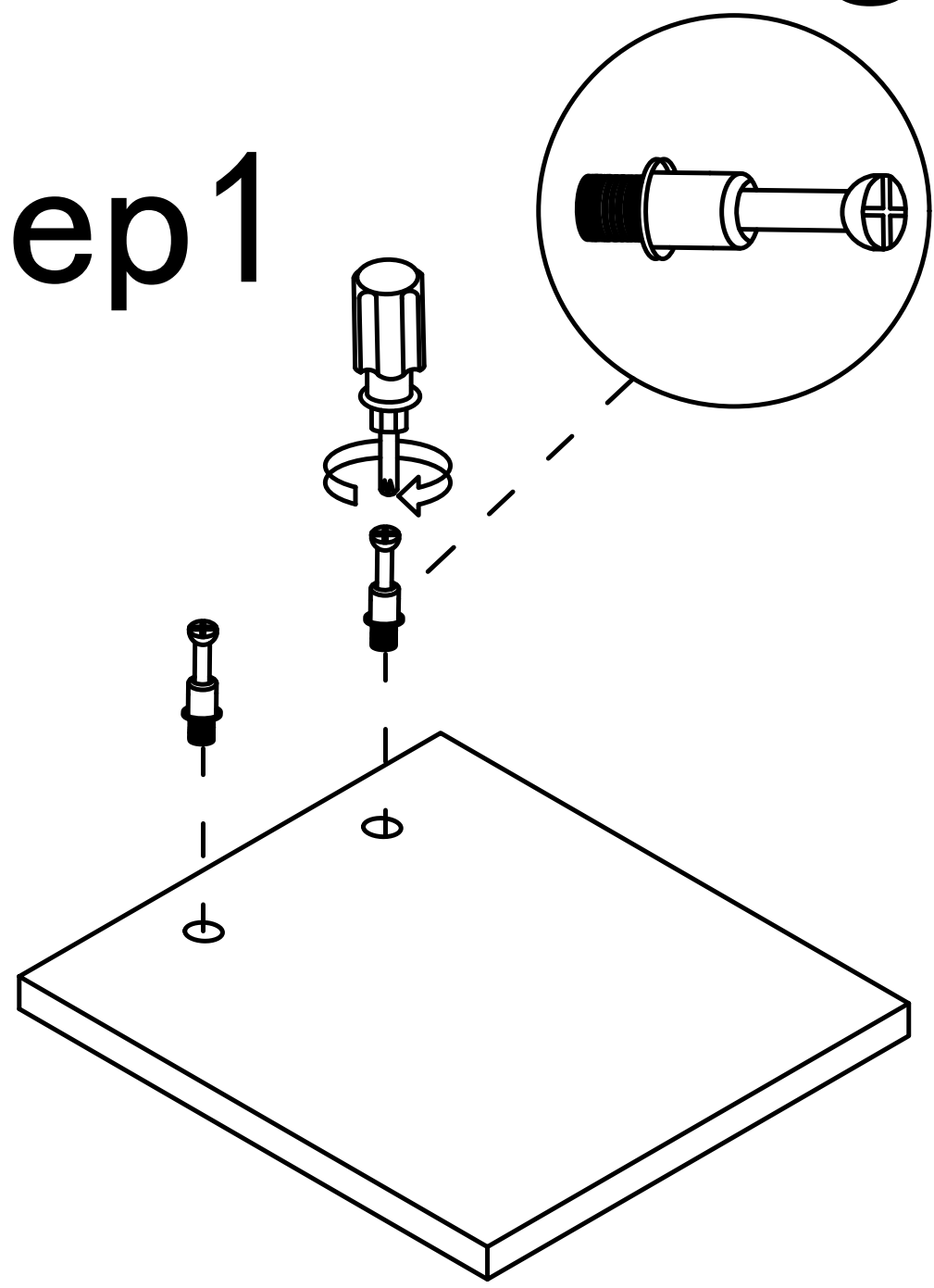


Product structure decomposition

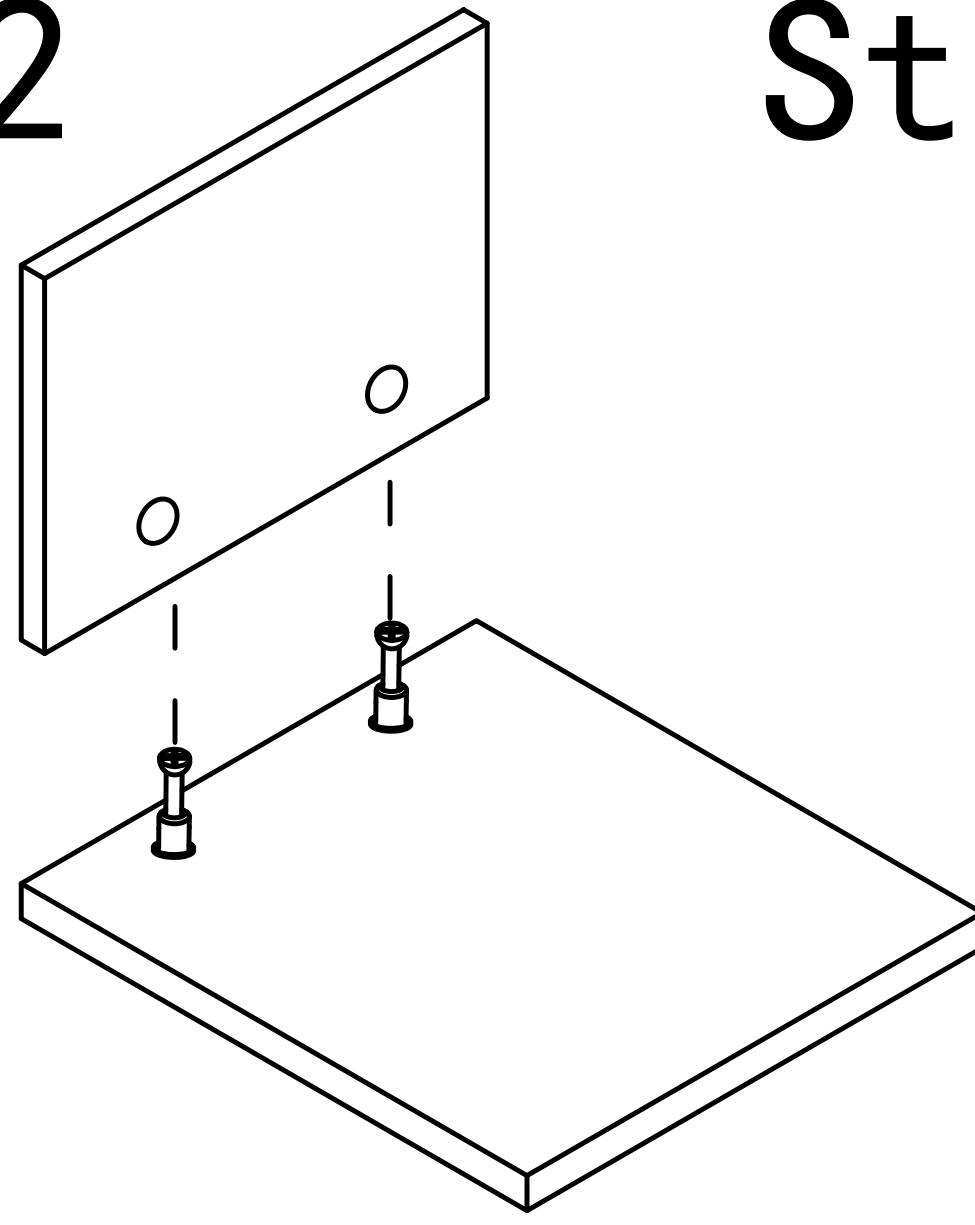


Use parts ① and ②

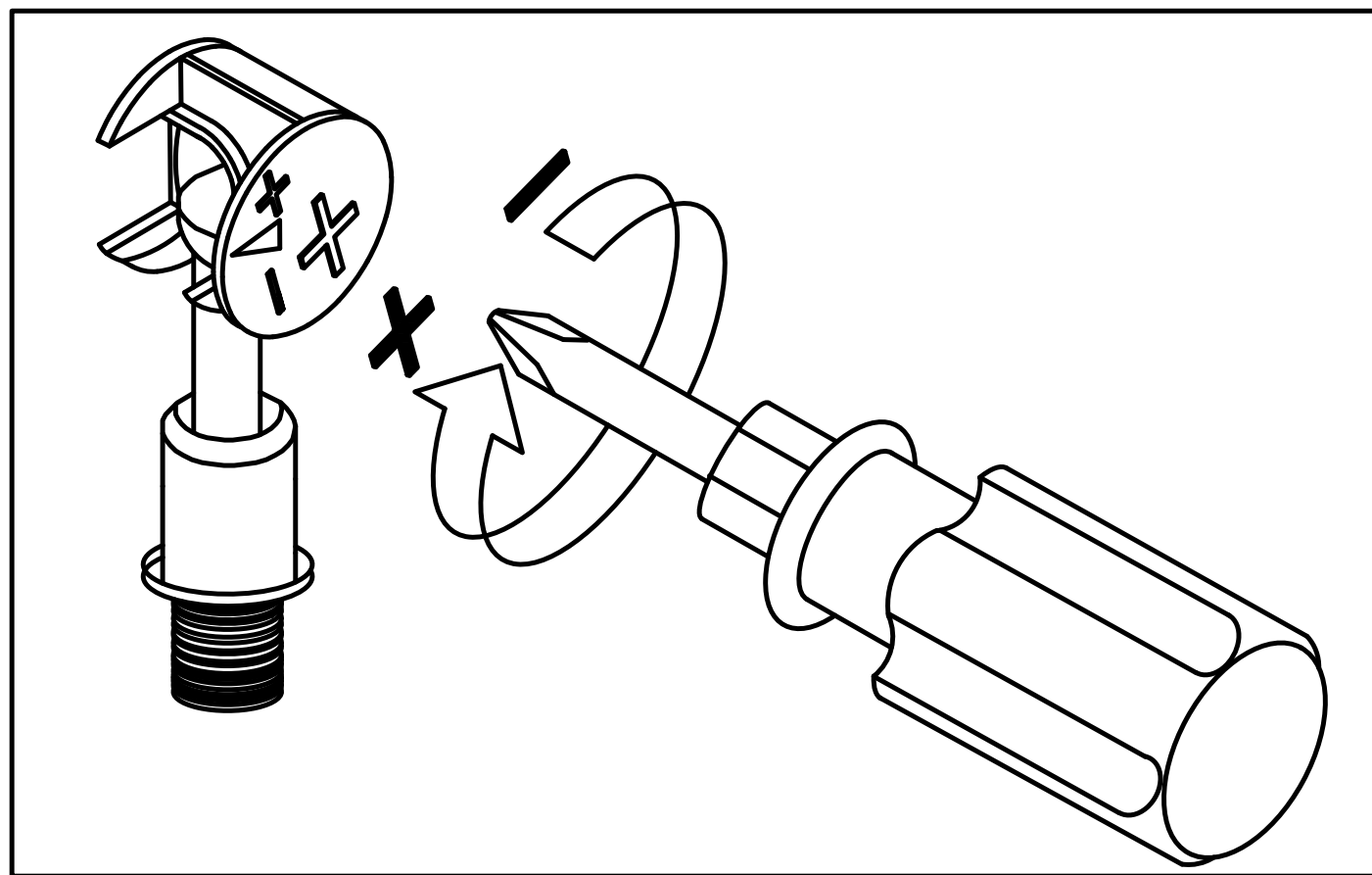
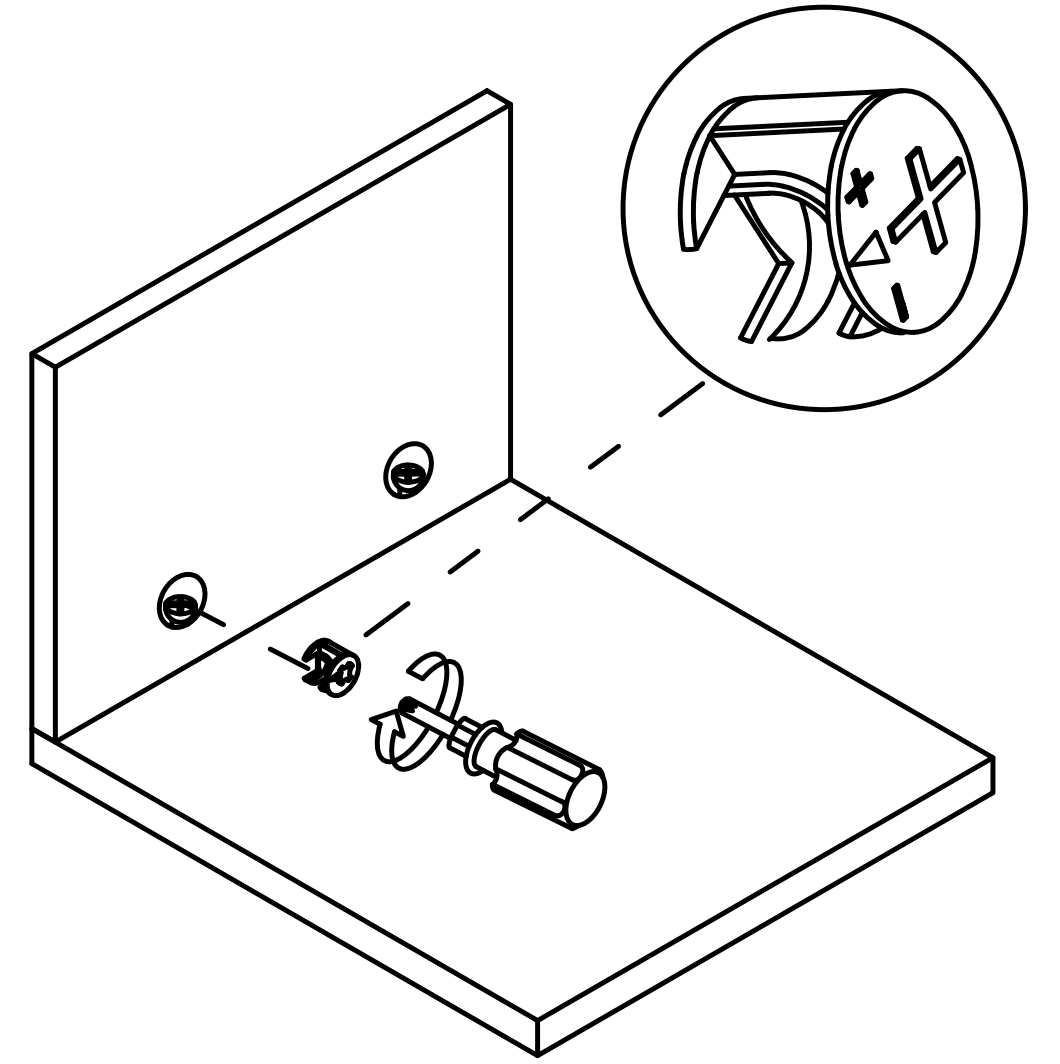
Step 1



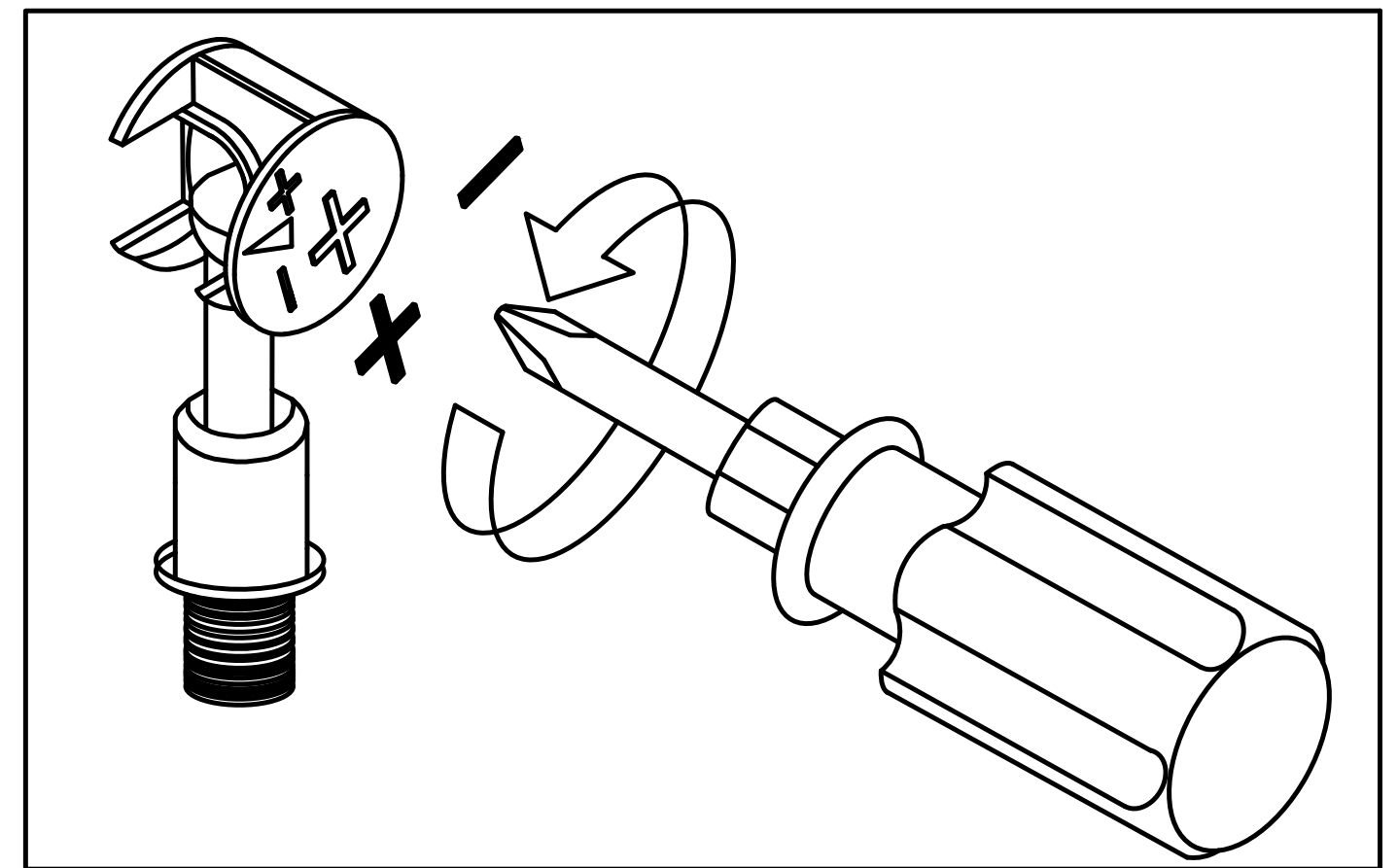
Step 2



Step 3

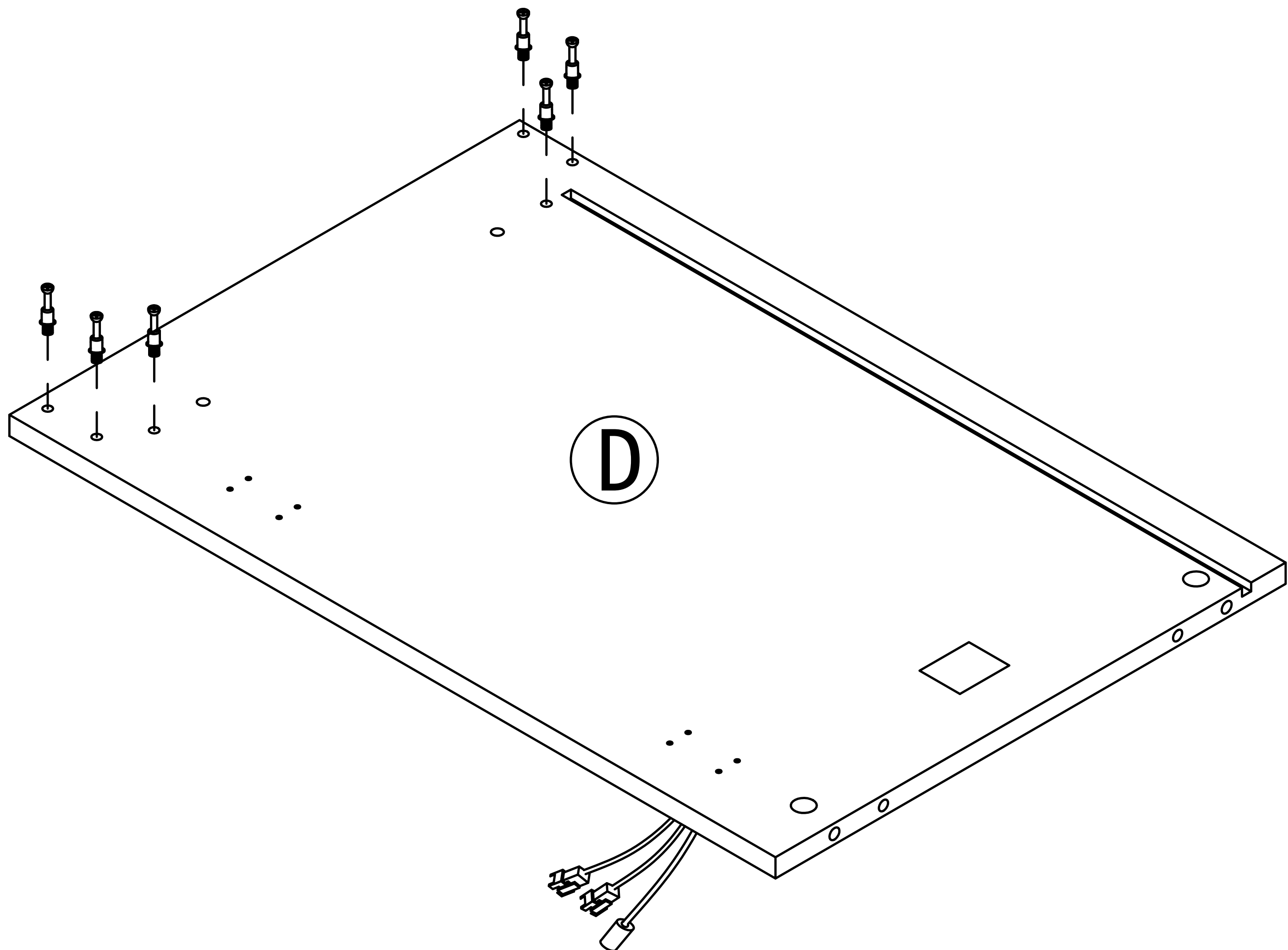
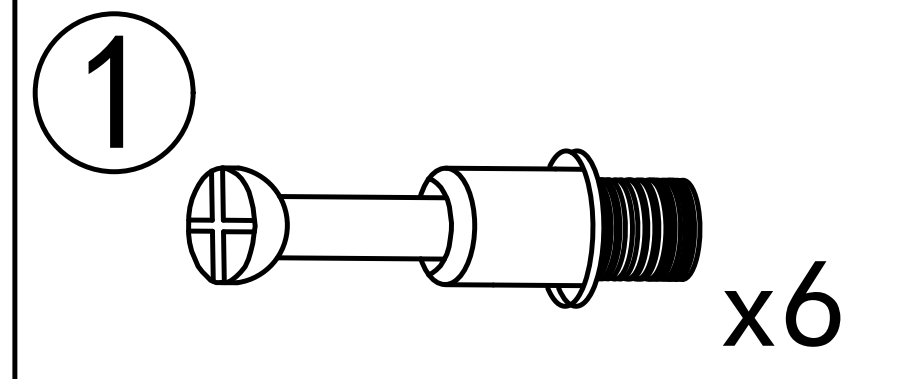


Use a screwdriver to lock in the direction of the "+" sign



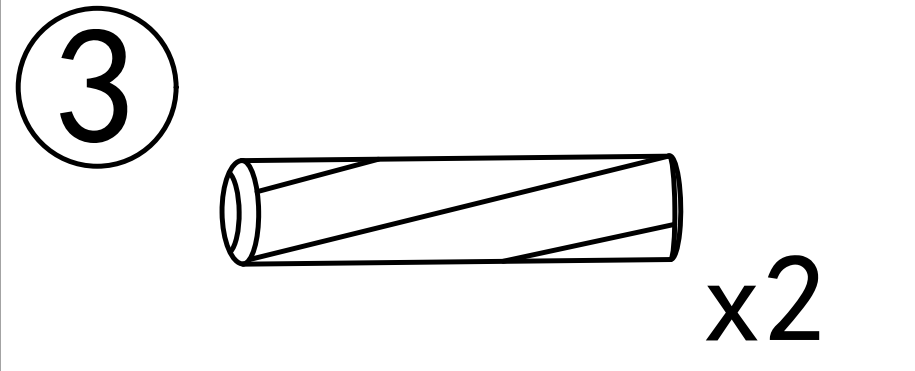
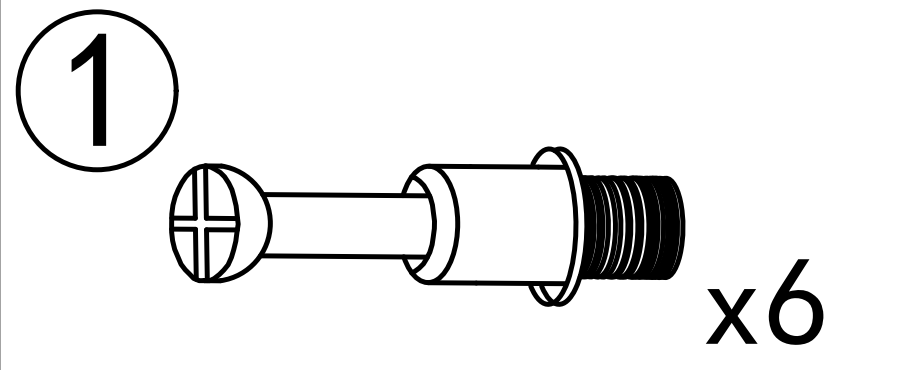
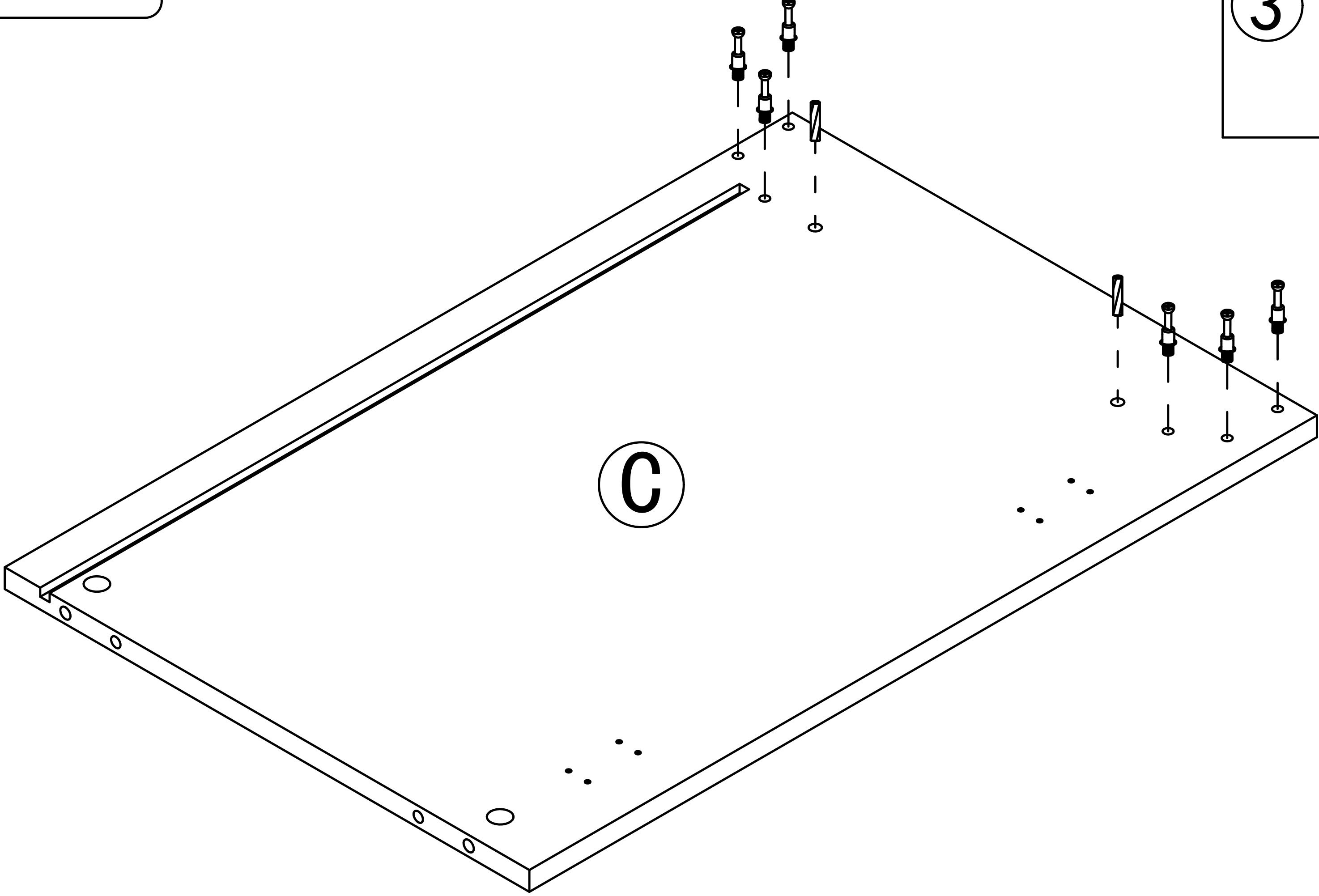
Disassemble along the direction of "-" sign

Step 1

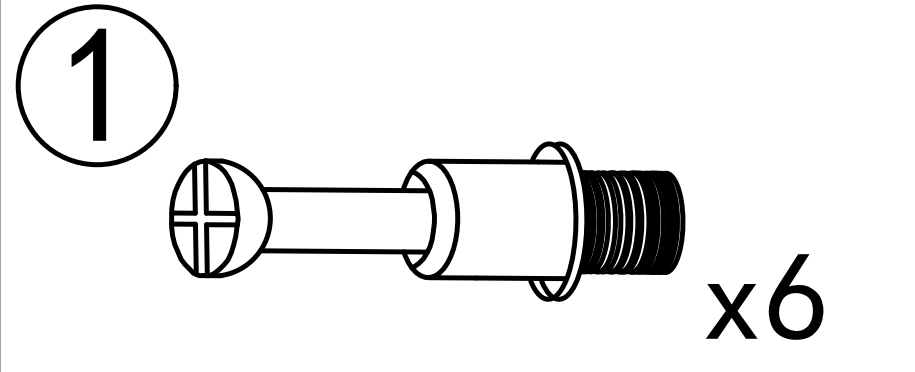
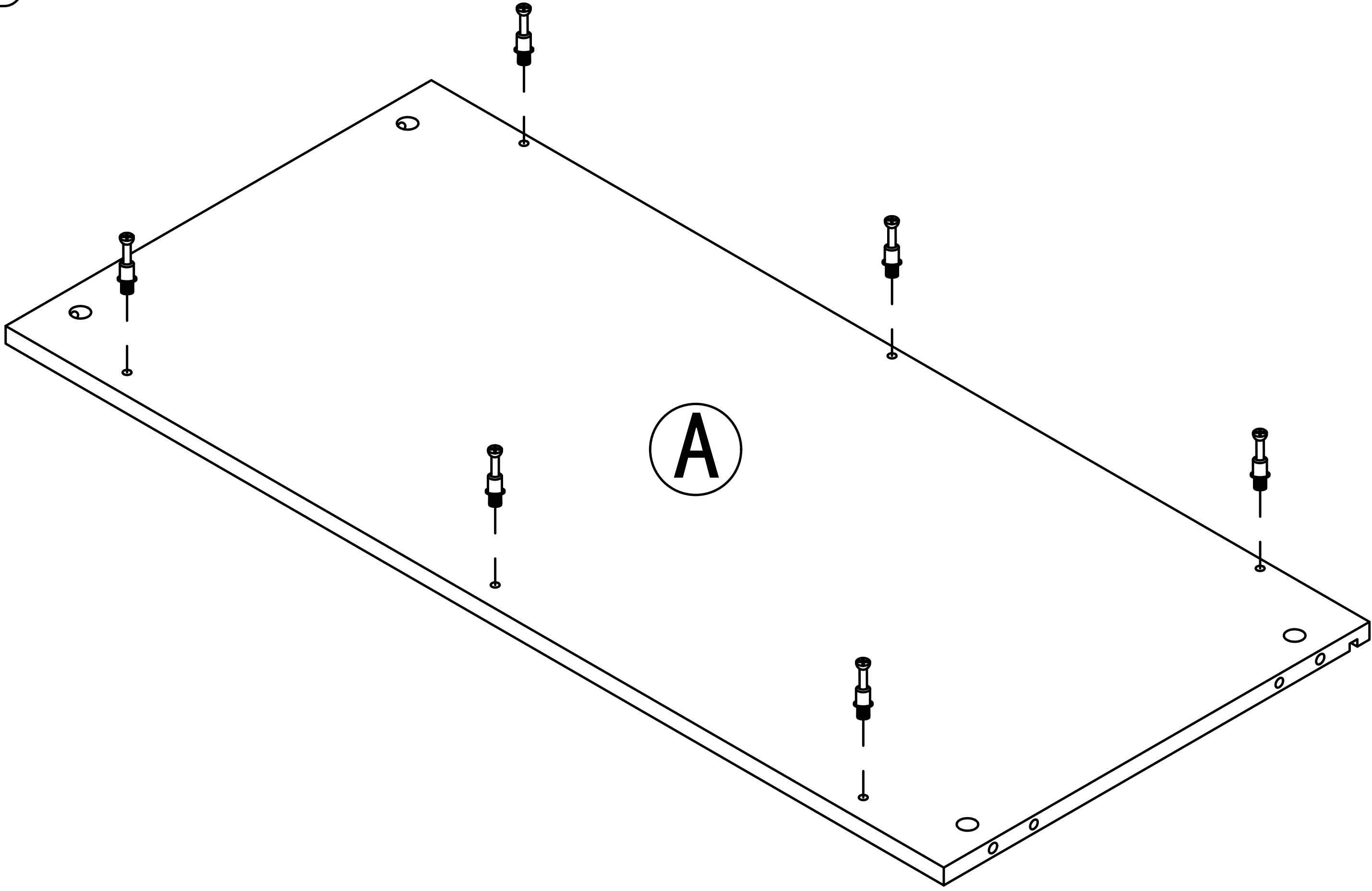


4

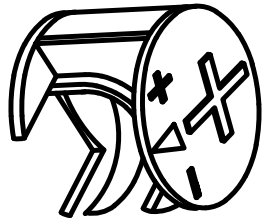
Step 2

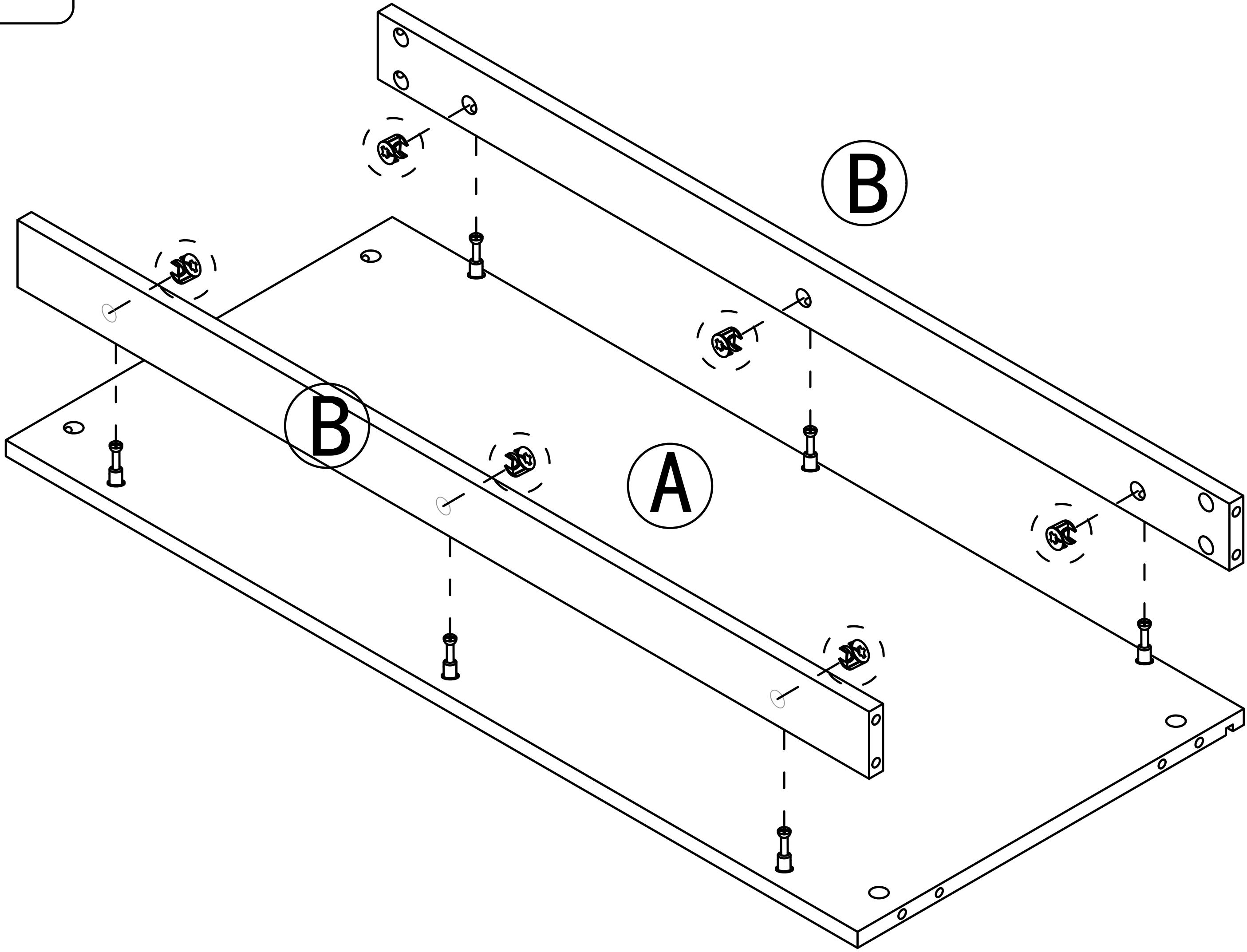


Step 3

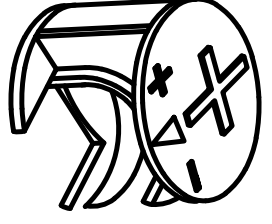


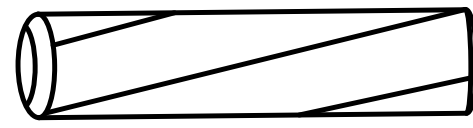
Step 4

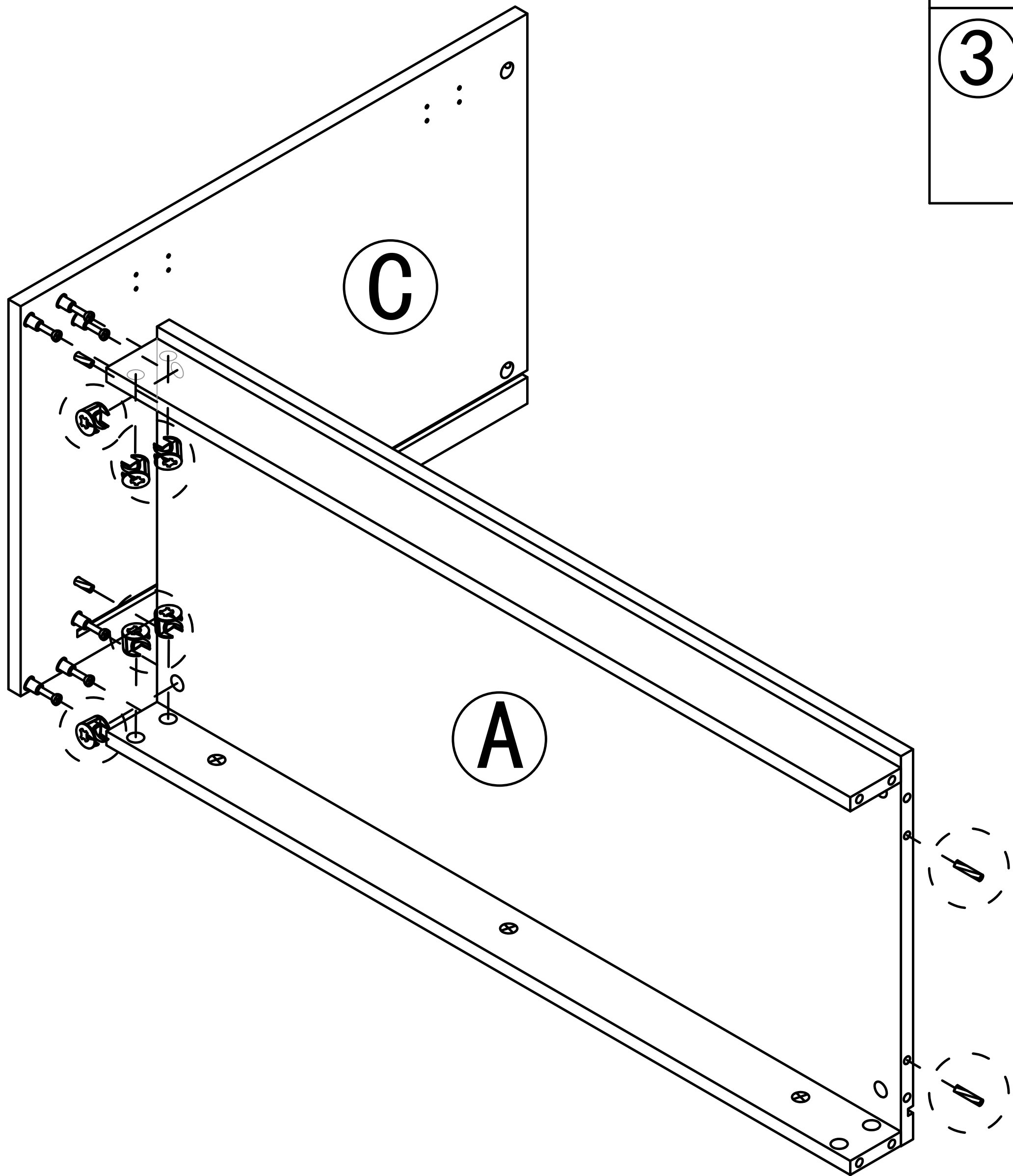
②  x6



Step 5

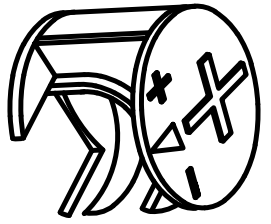
②  x6

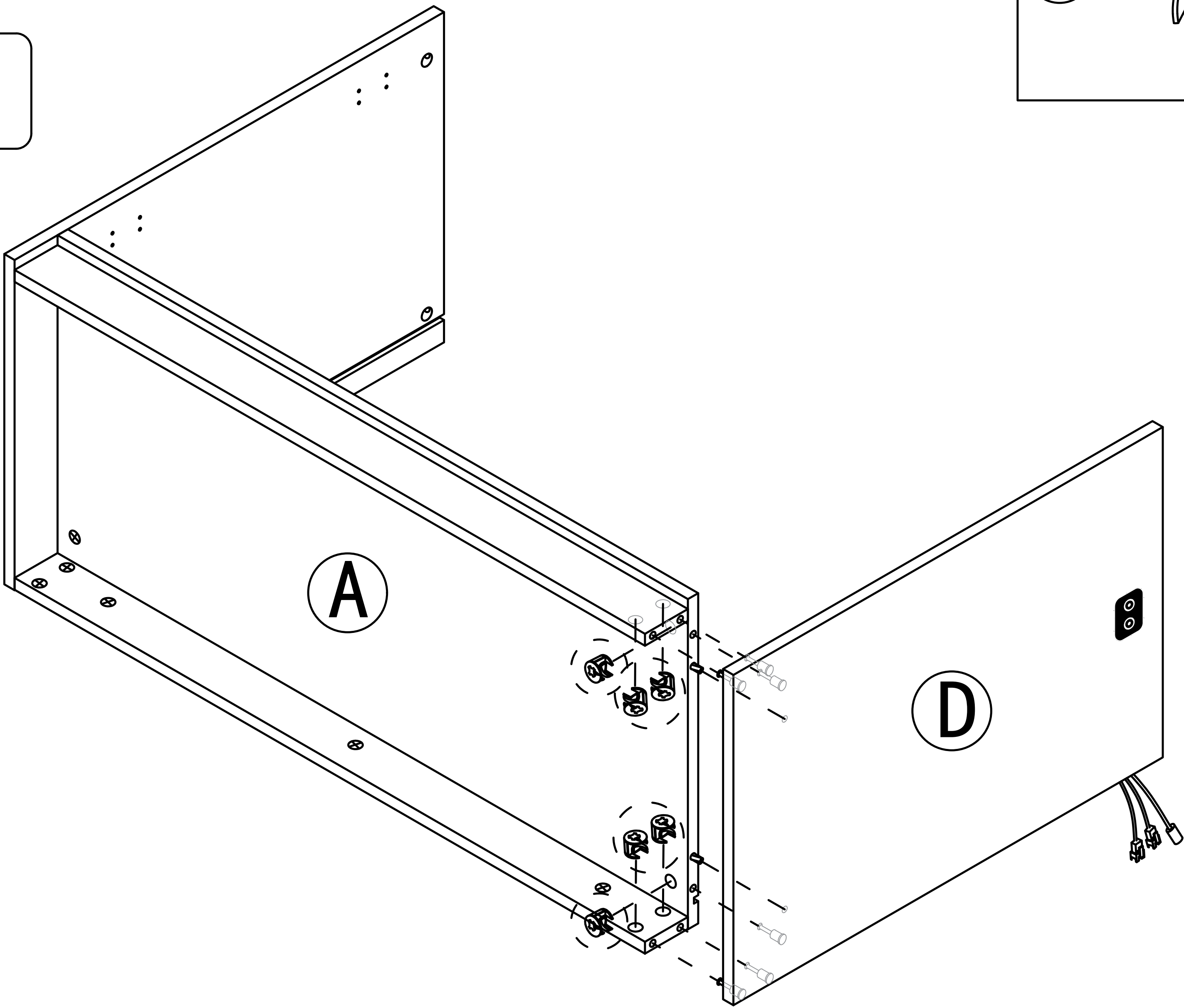
③  x2



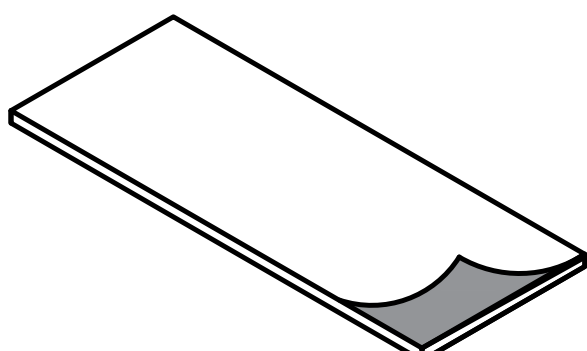
6

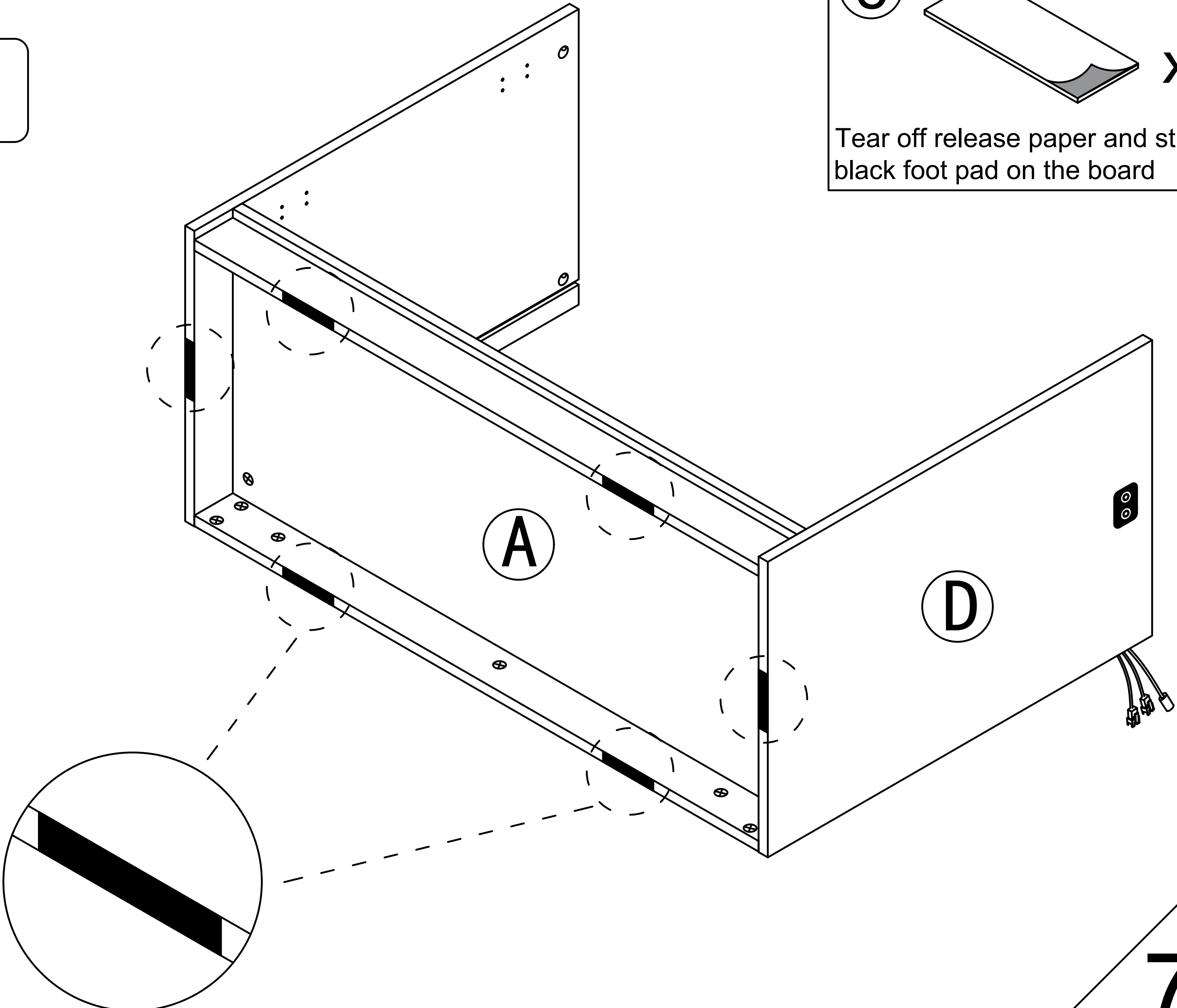
Step 6

②  x6



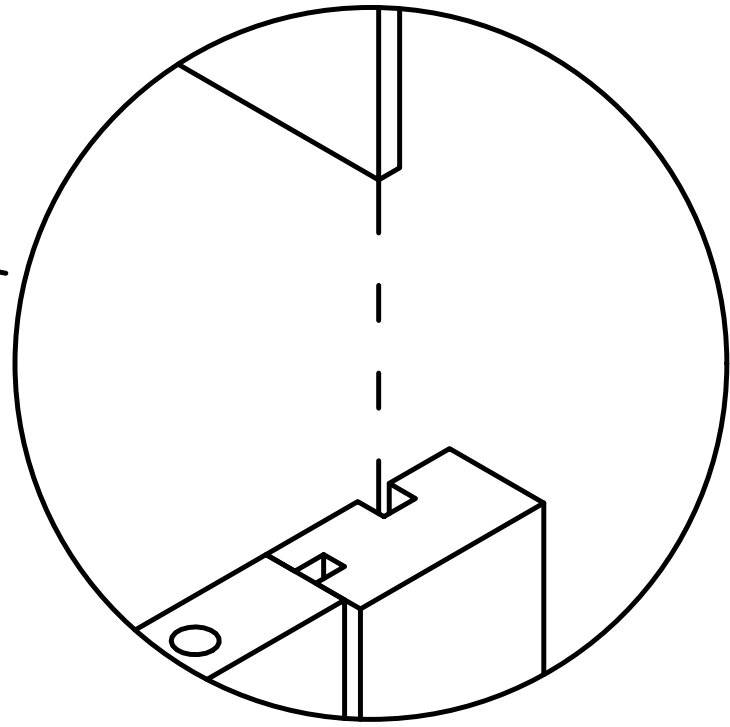
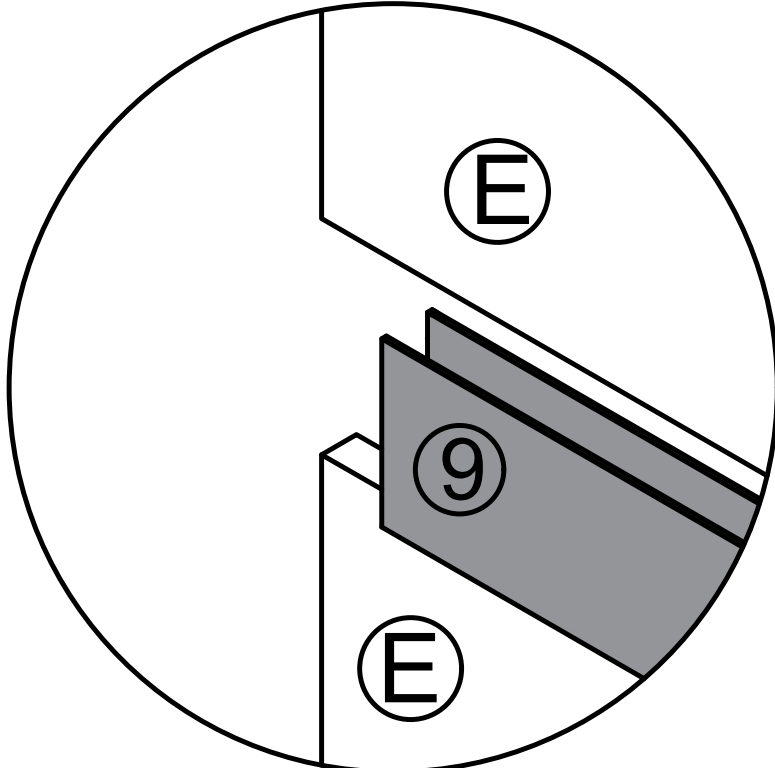
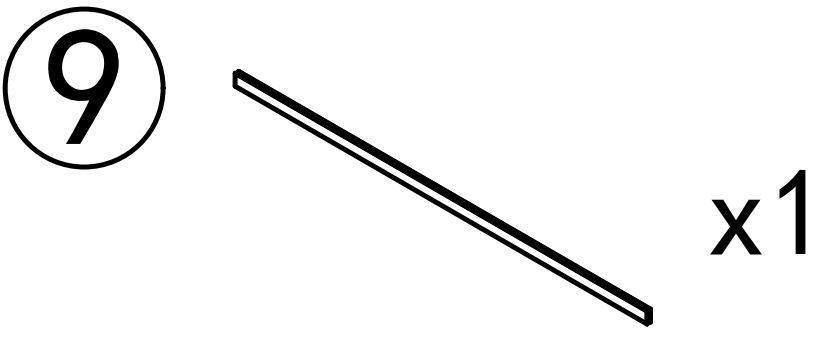
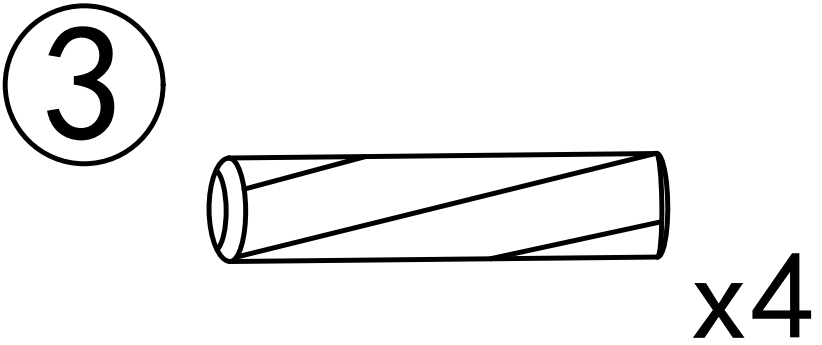
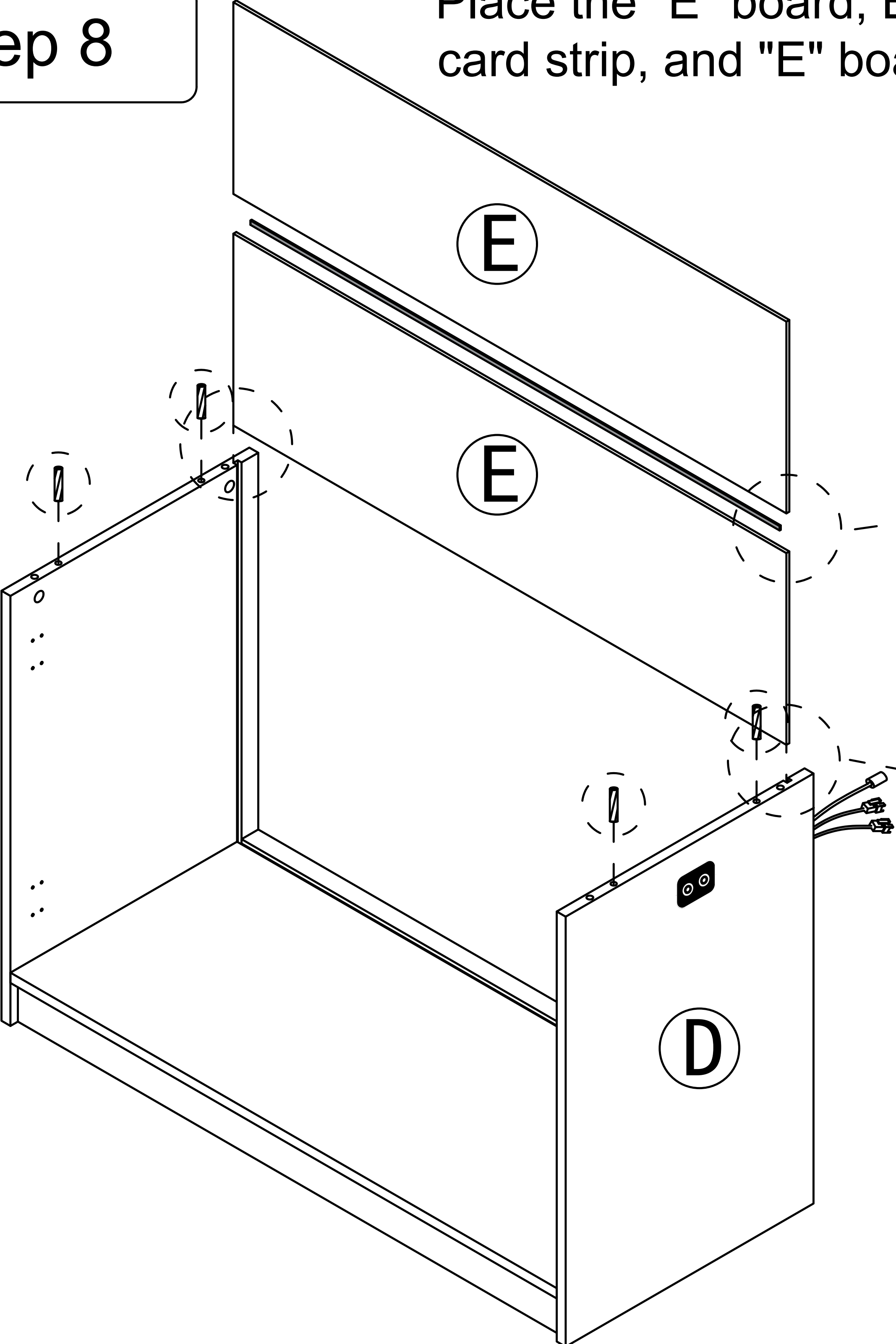
Step 7

⑥  x6
Tear off release paper and stick the black foot pad on the board

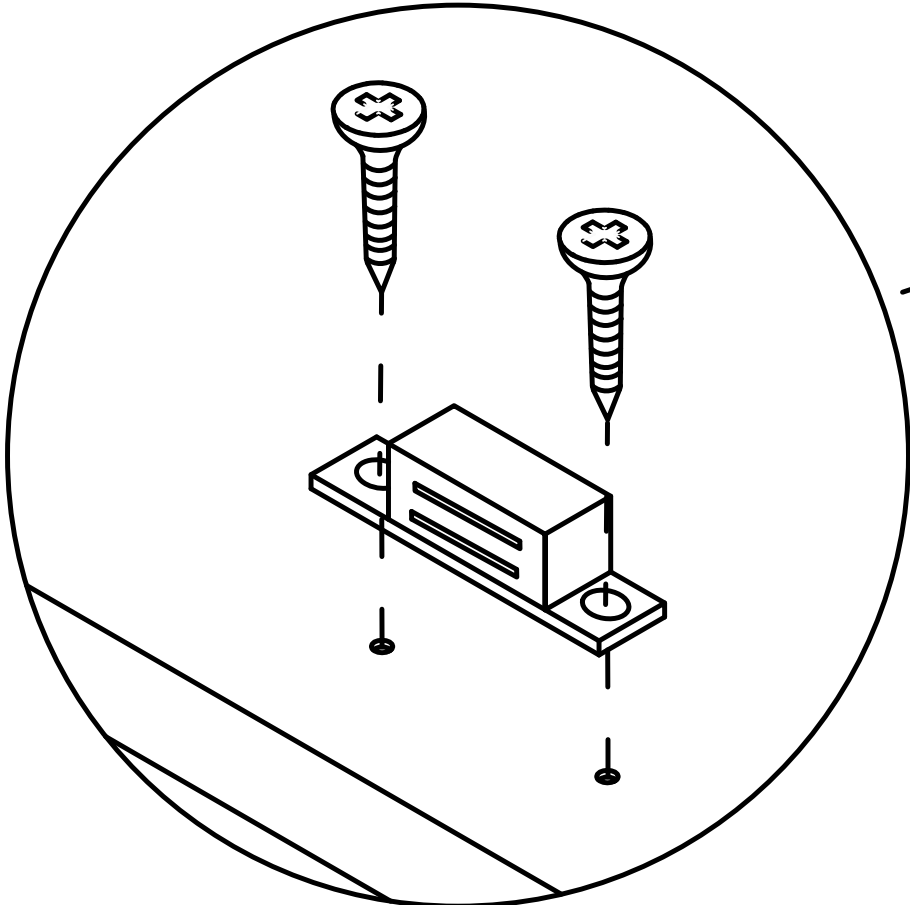
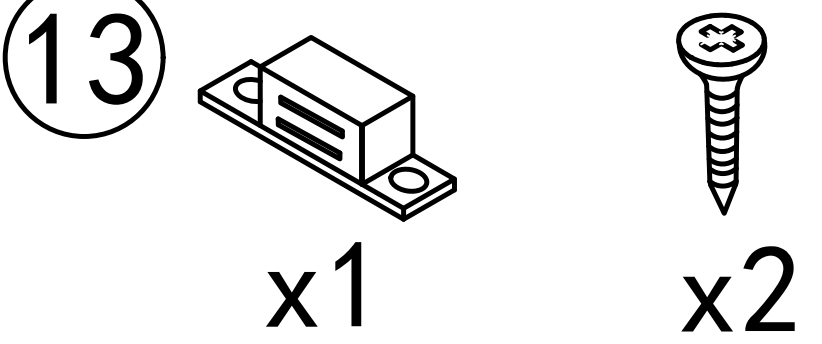
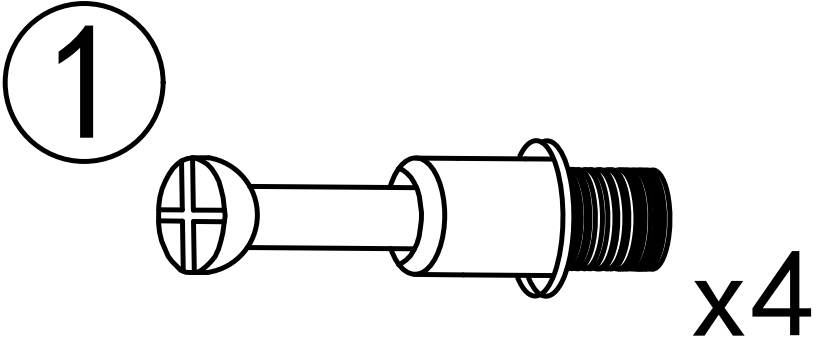
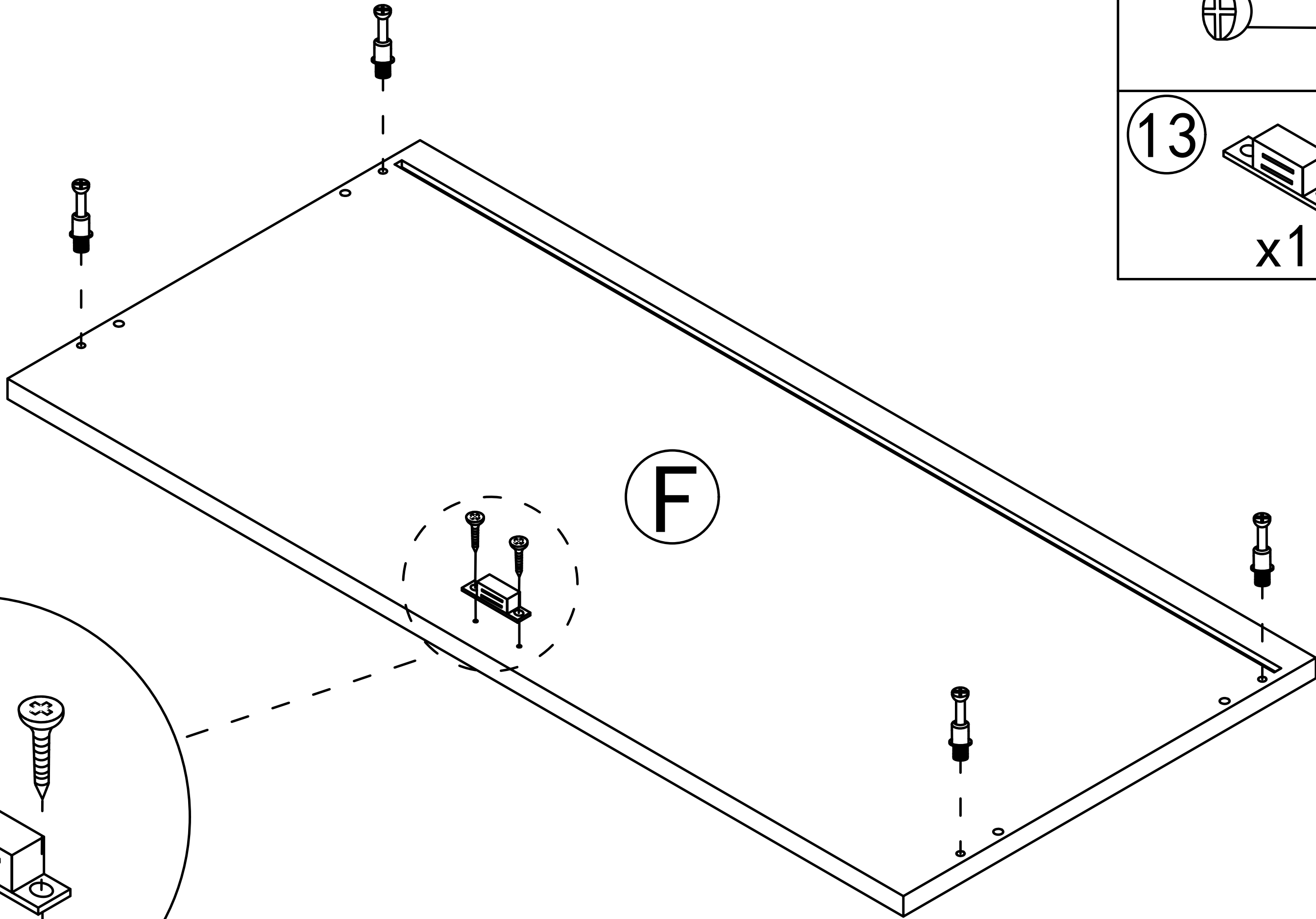


Step 8

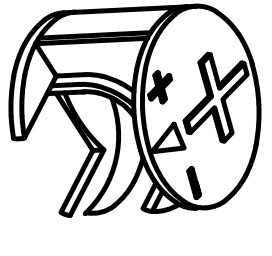
Place the "E" board, Backboard card strip, and "E" board in order

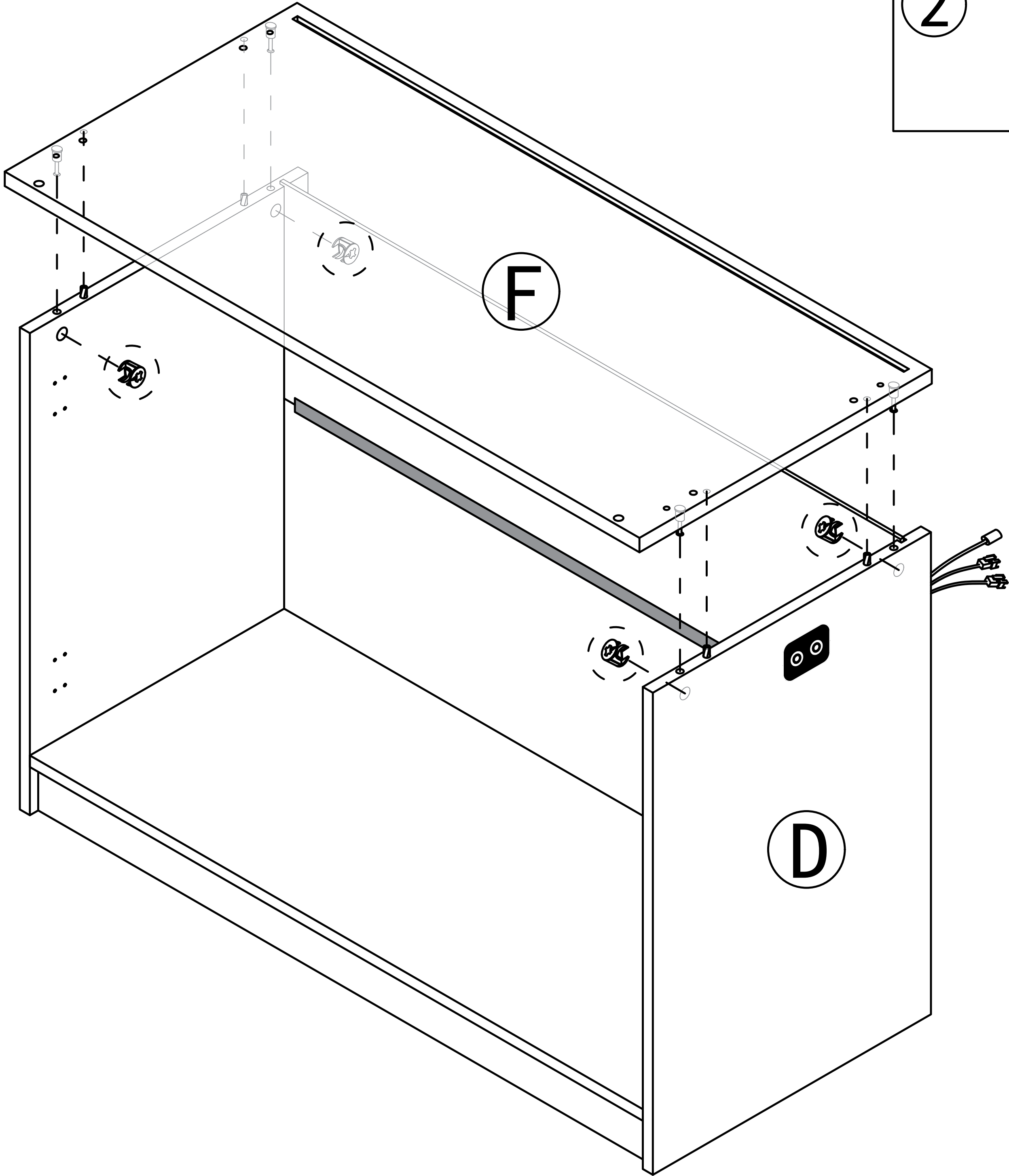


Step 9

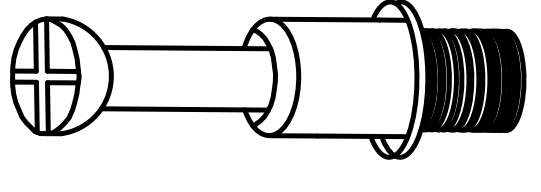


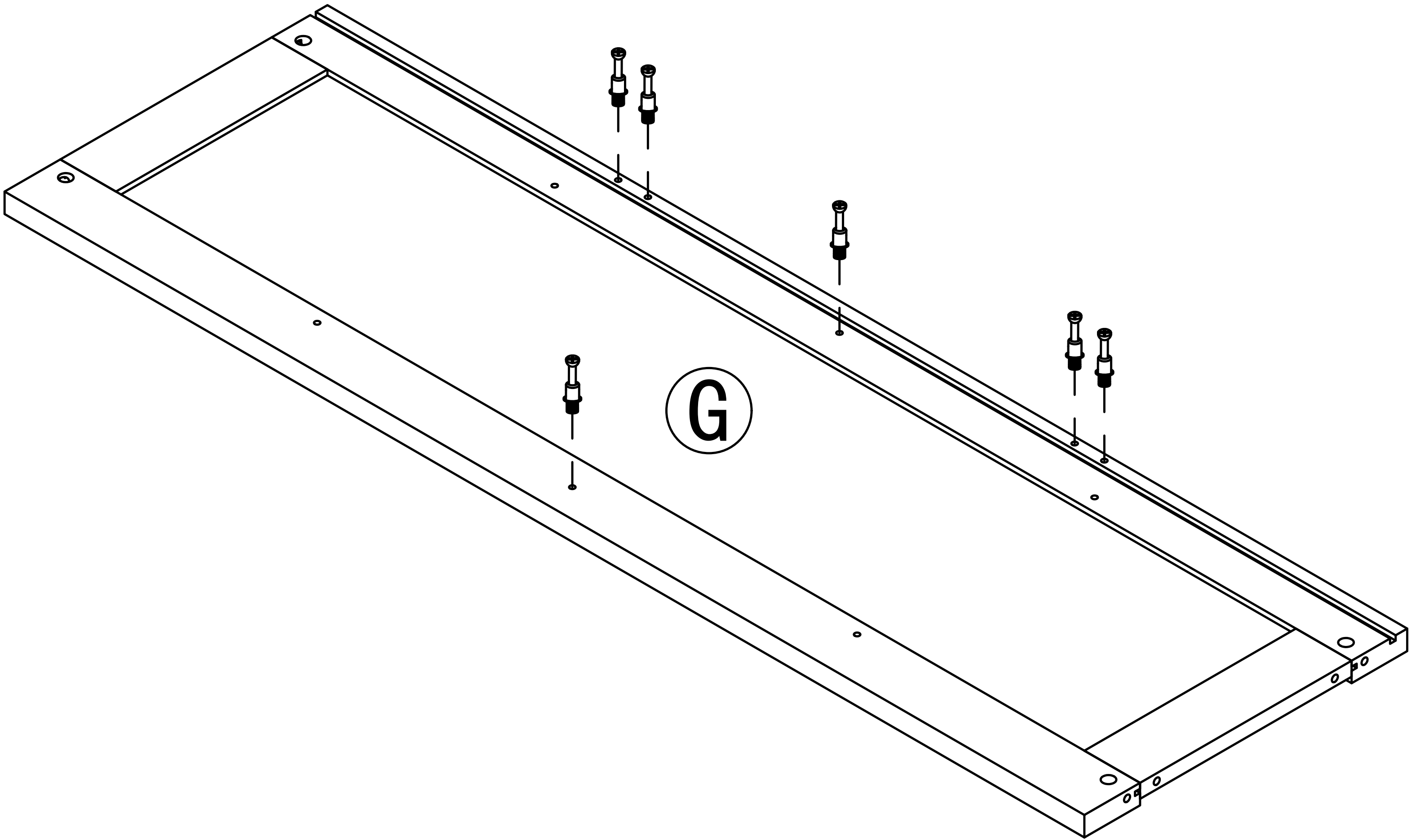
Step 10

②  x4

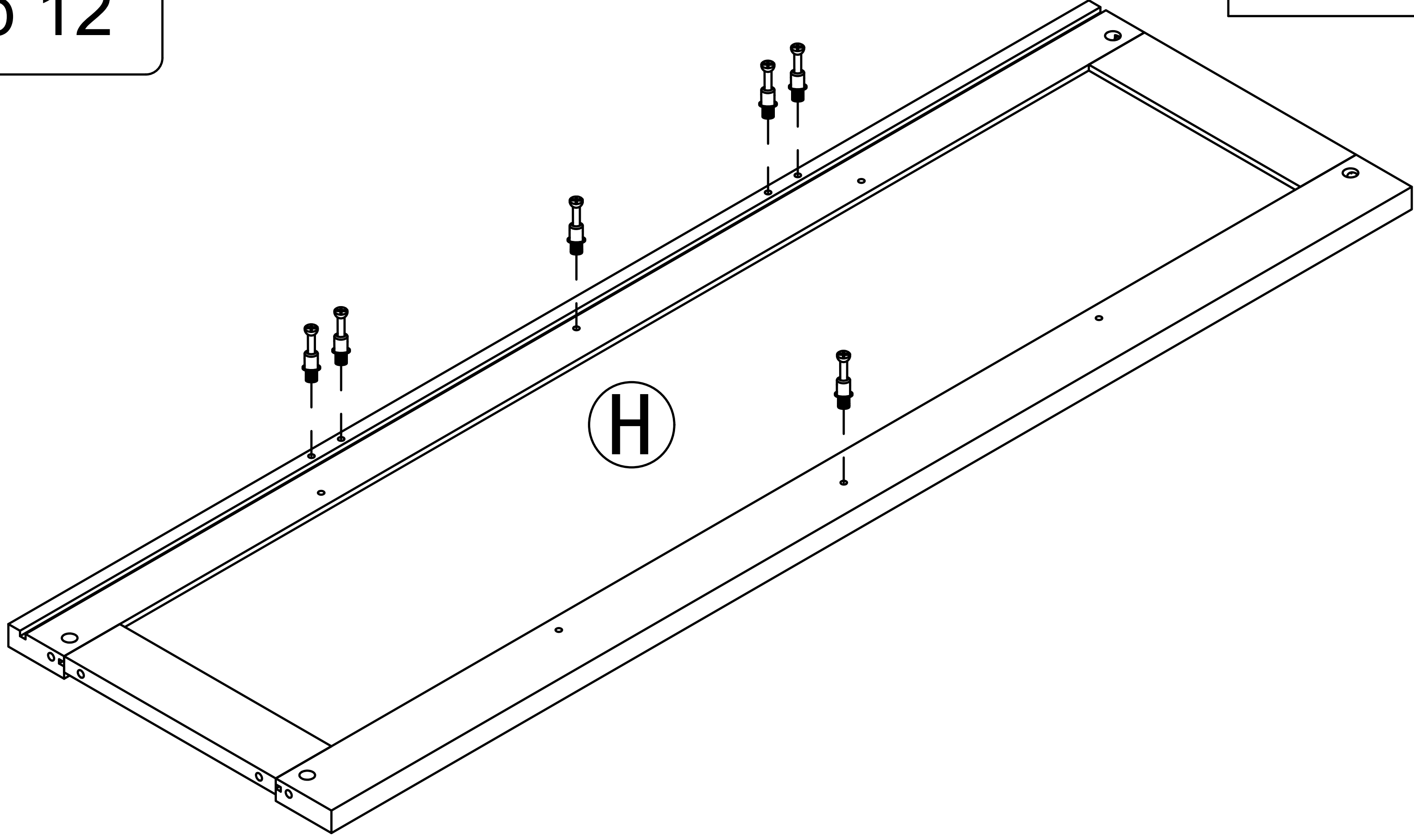
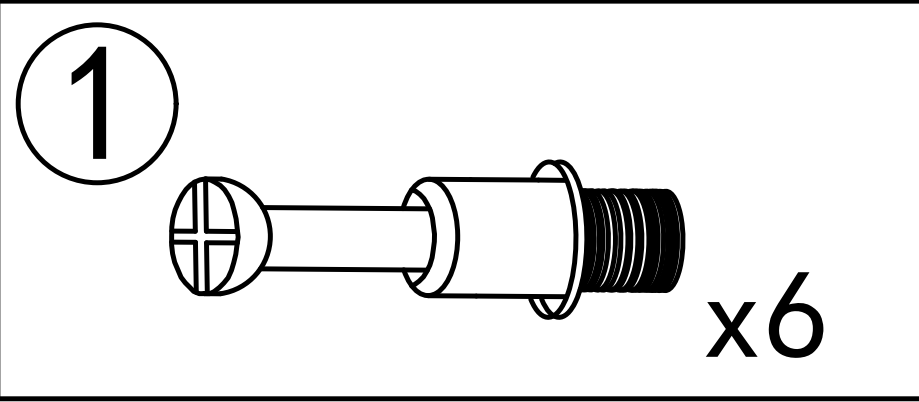


Step 11

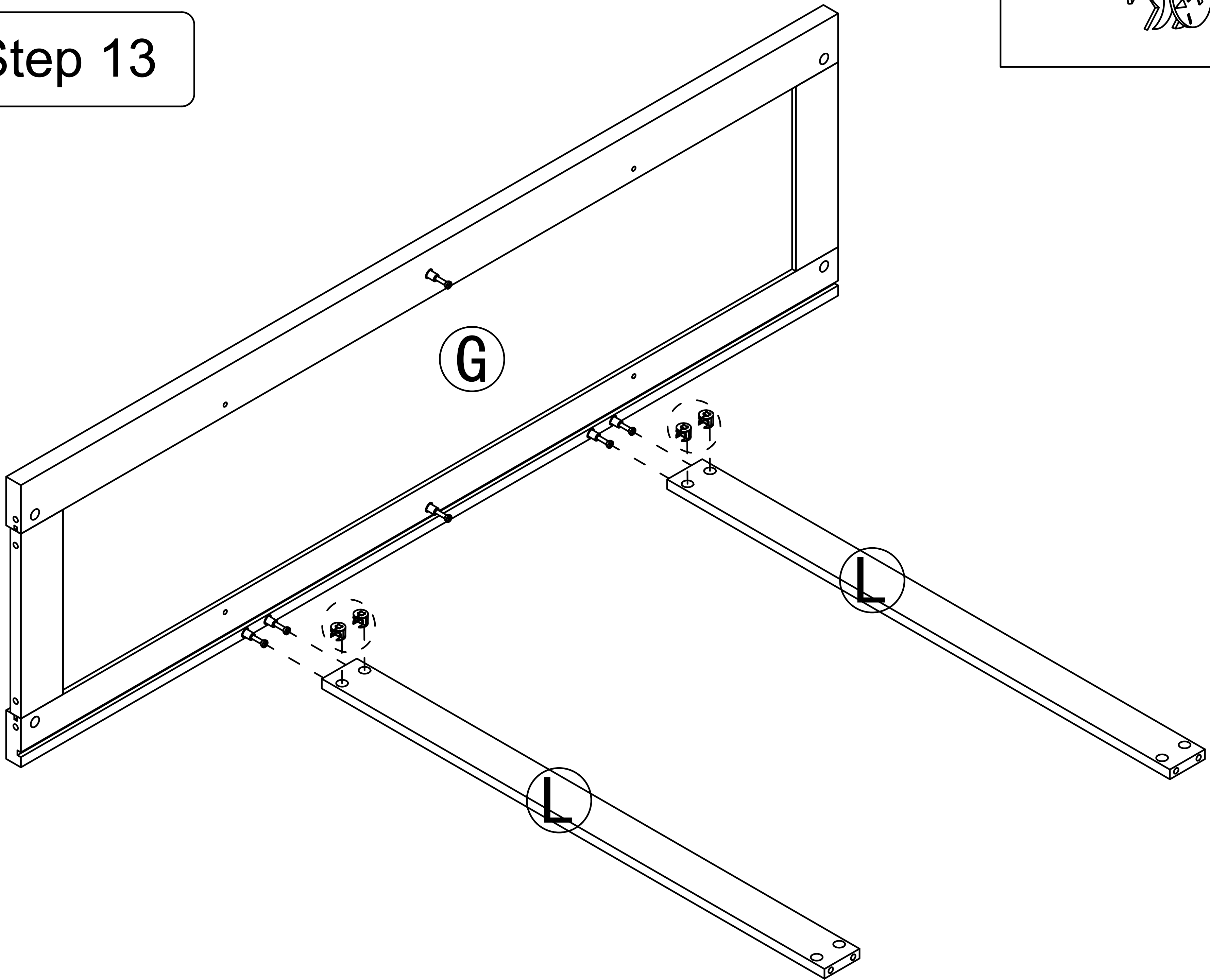
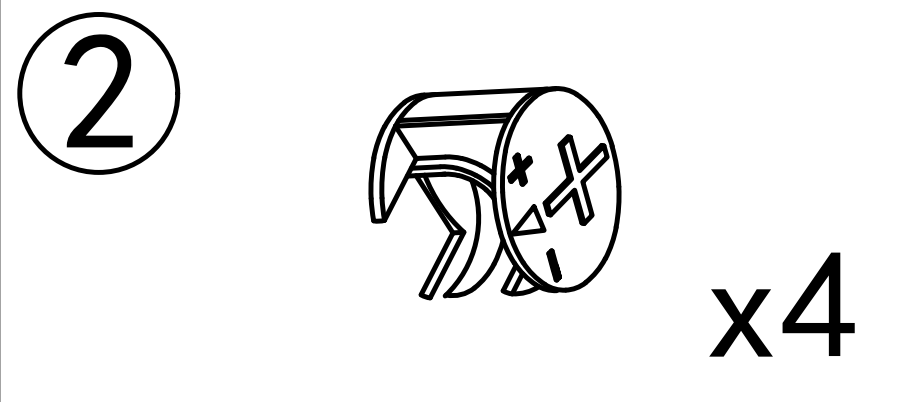
①  x6



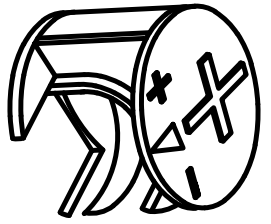
Step 12

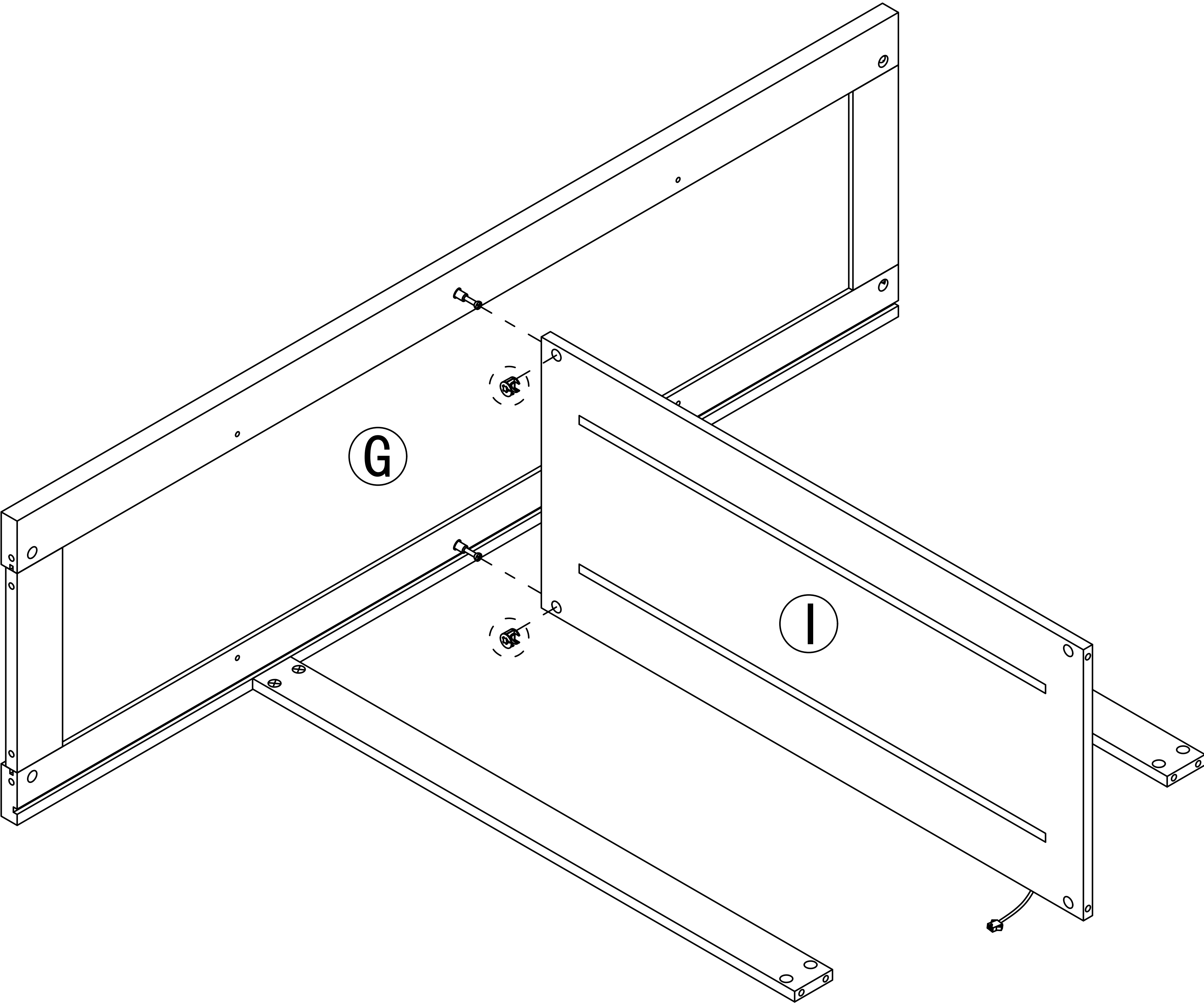


Step 13



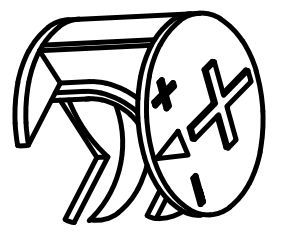
Step 14

②  x2

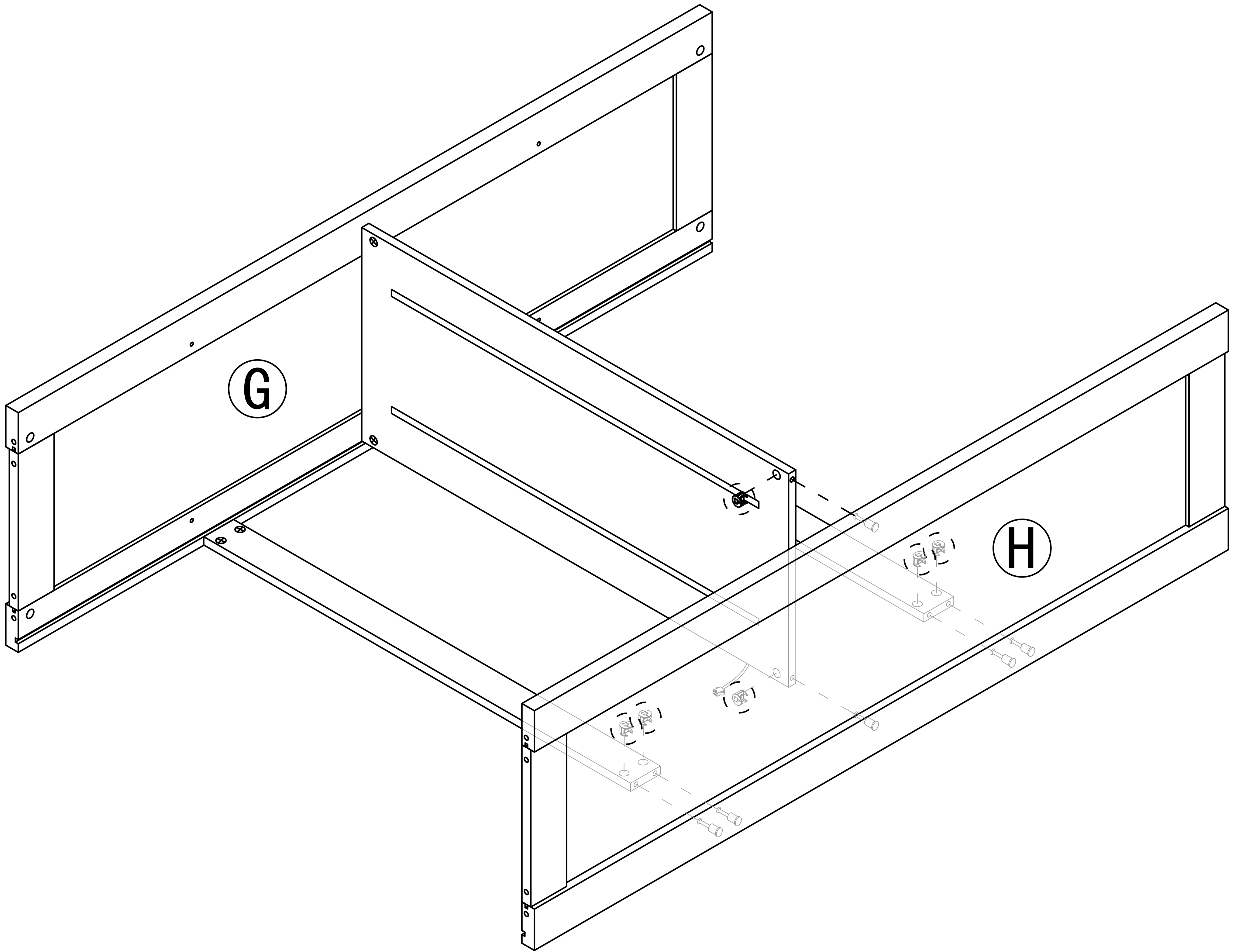


Step 15

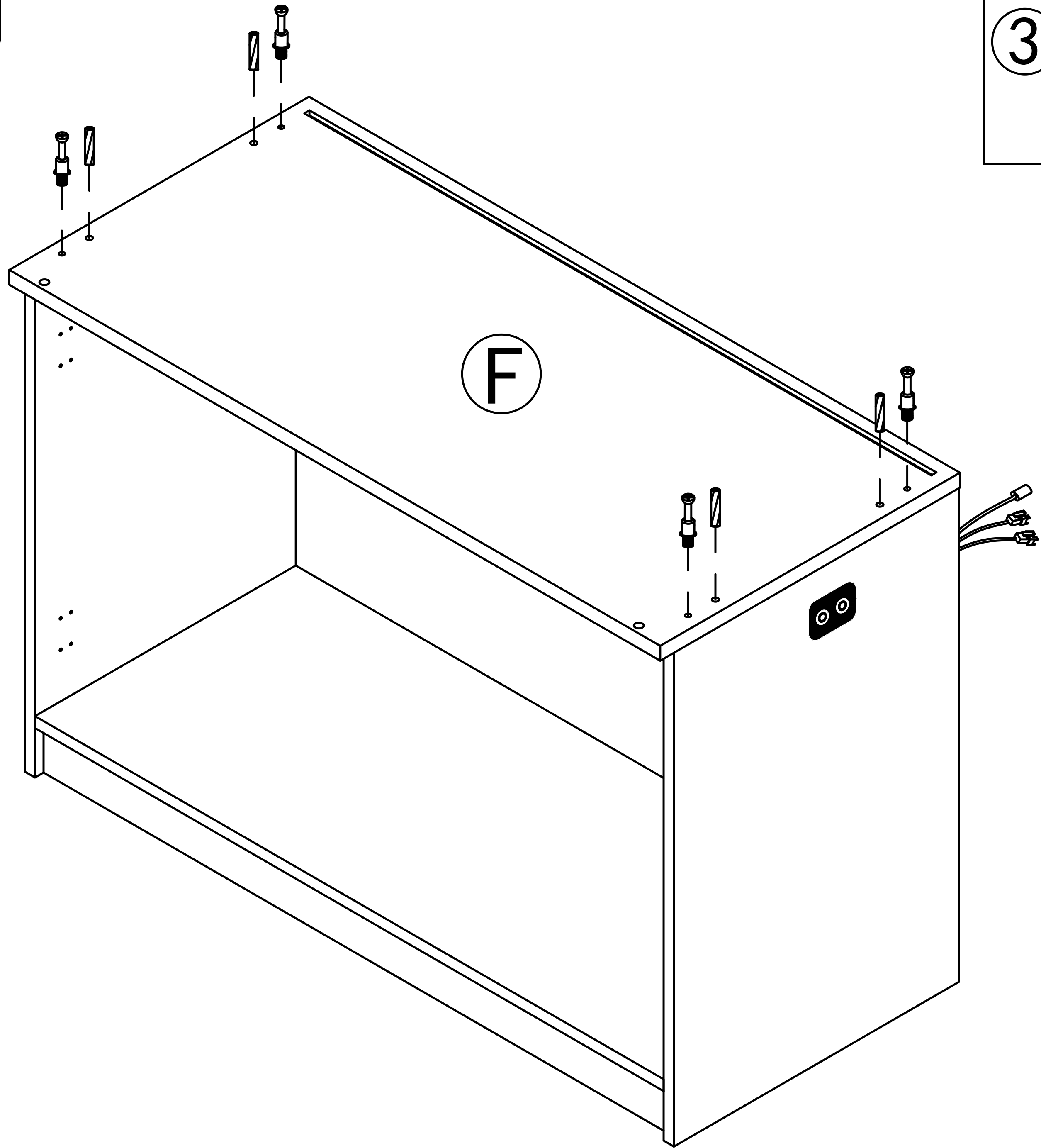
2

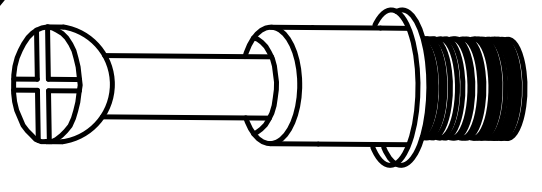
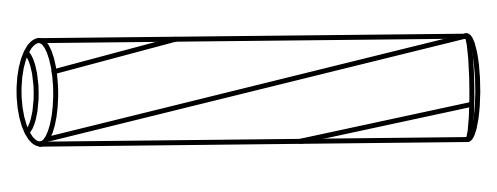


x6

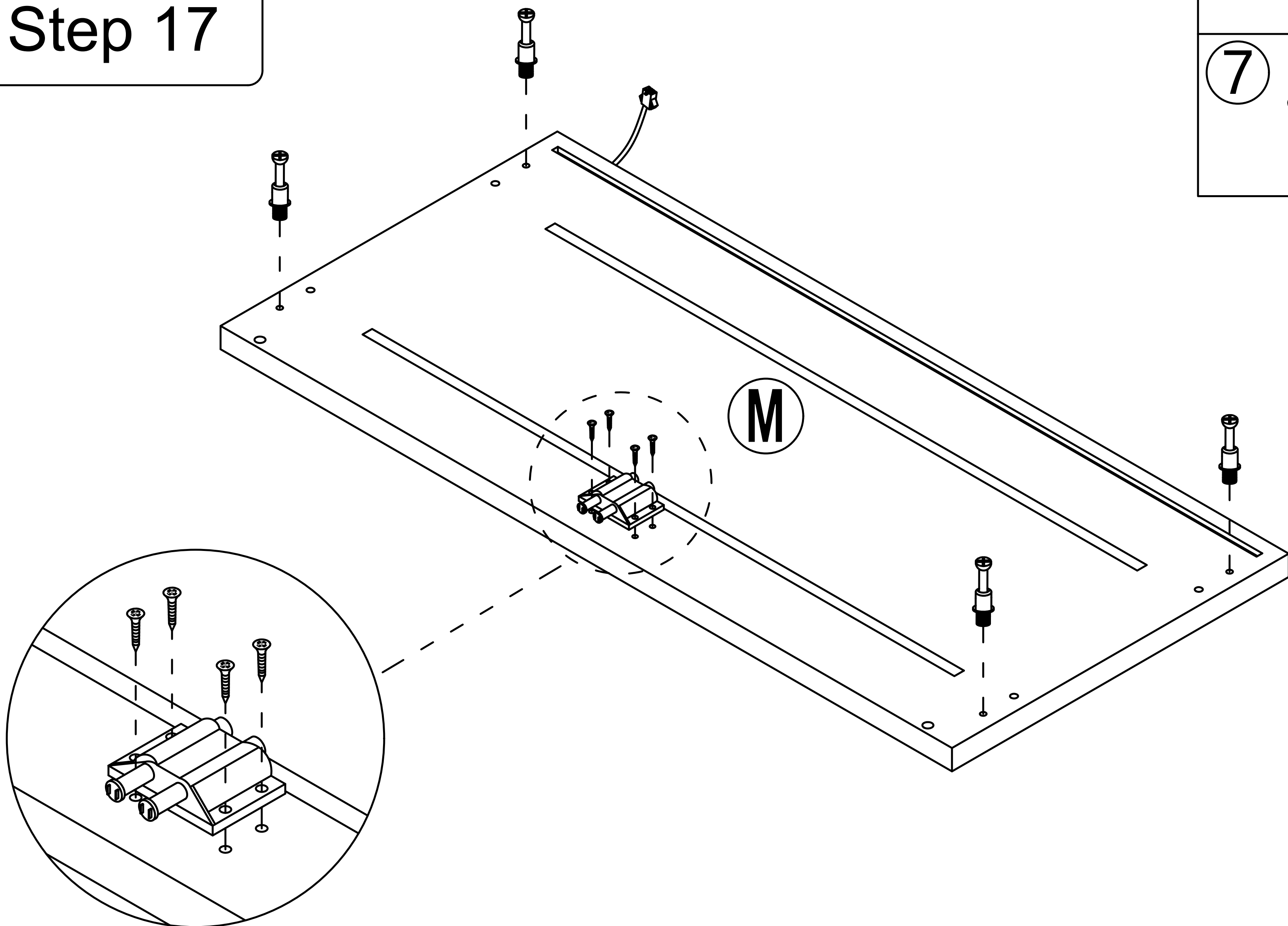


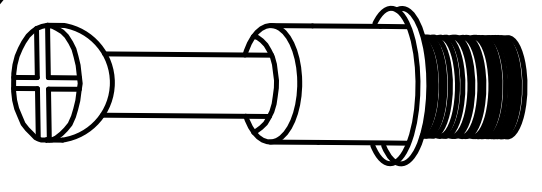
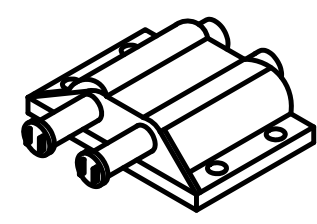
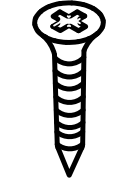
Step 16



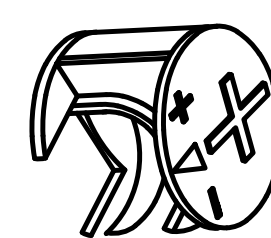
- ①  x4
- ③  x4

Step 17



- ①  x4
- ⑦  x1  x4

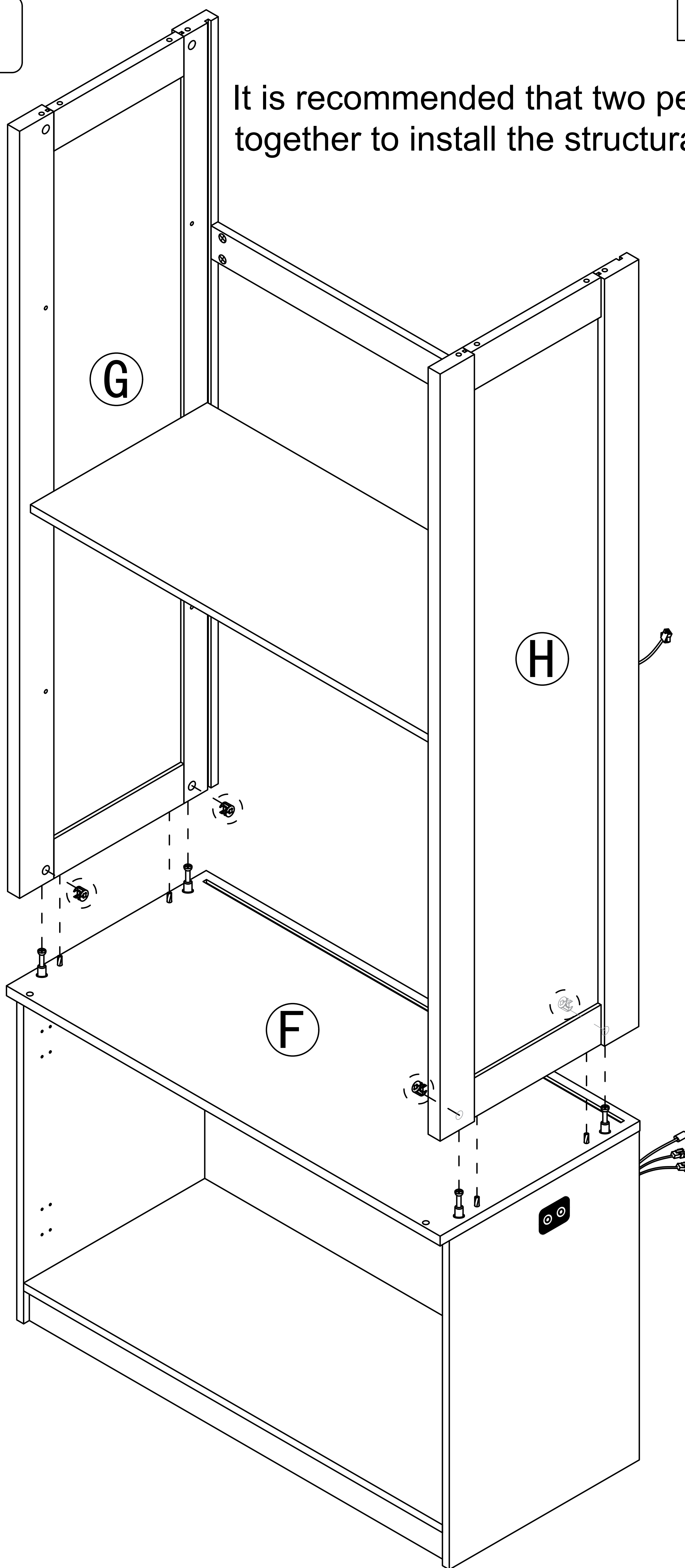
2



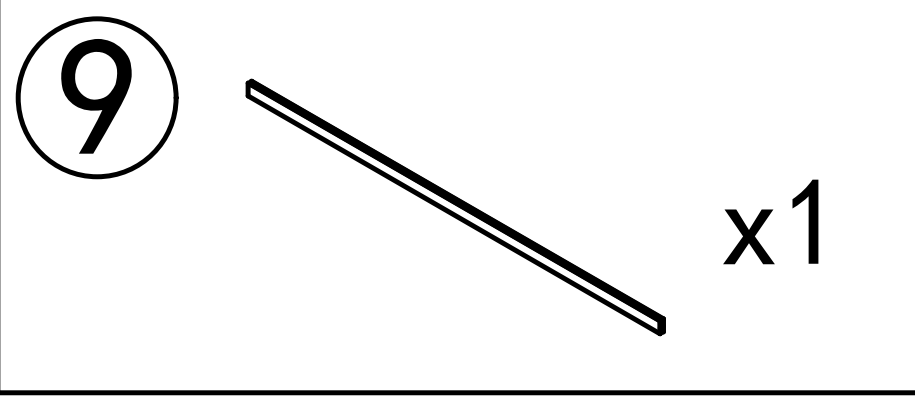
x4

Step 18

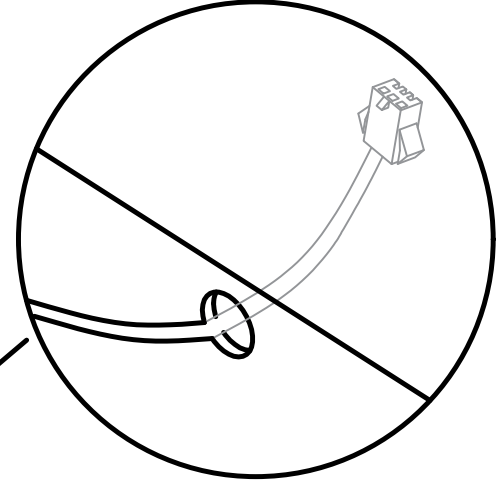
It is recommended that two people work together to install the structural wood panels.



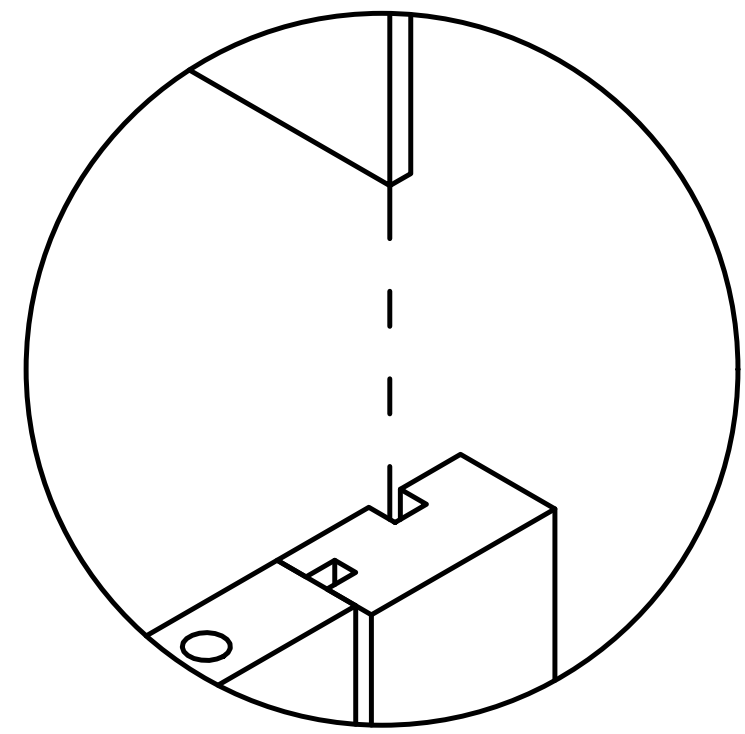
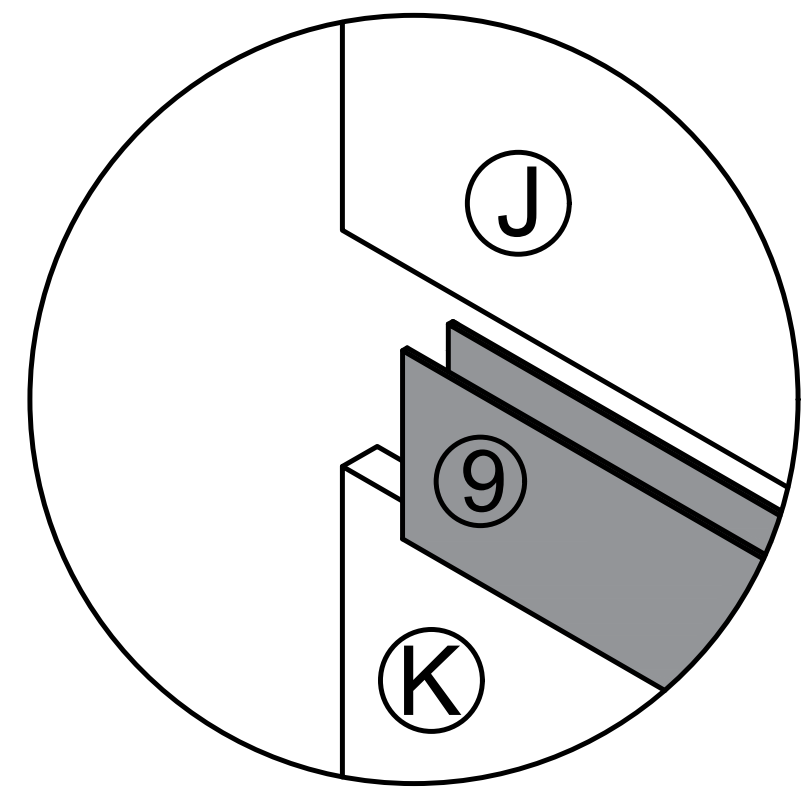
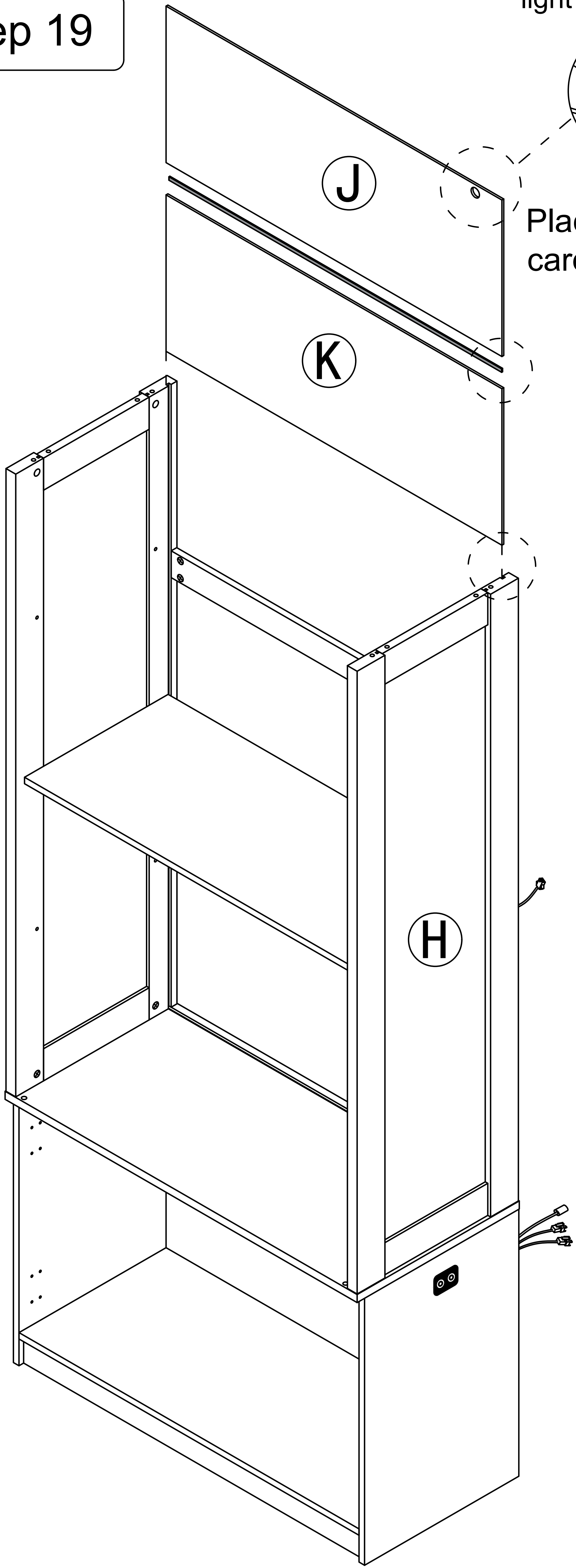
Step 19




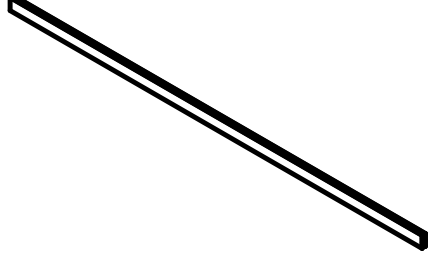
light wire exit hole

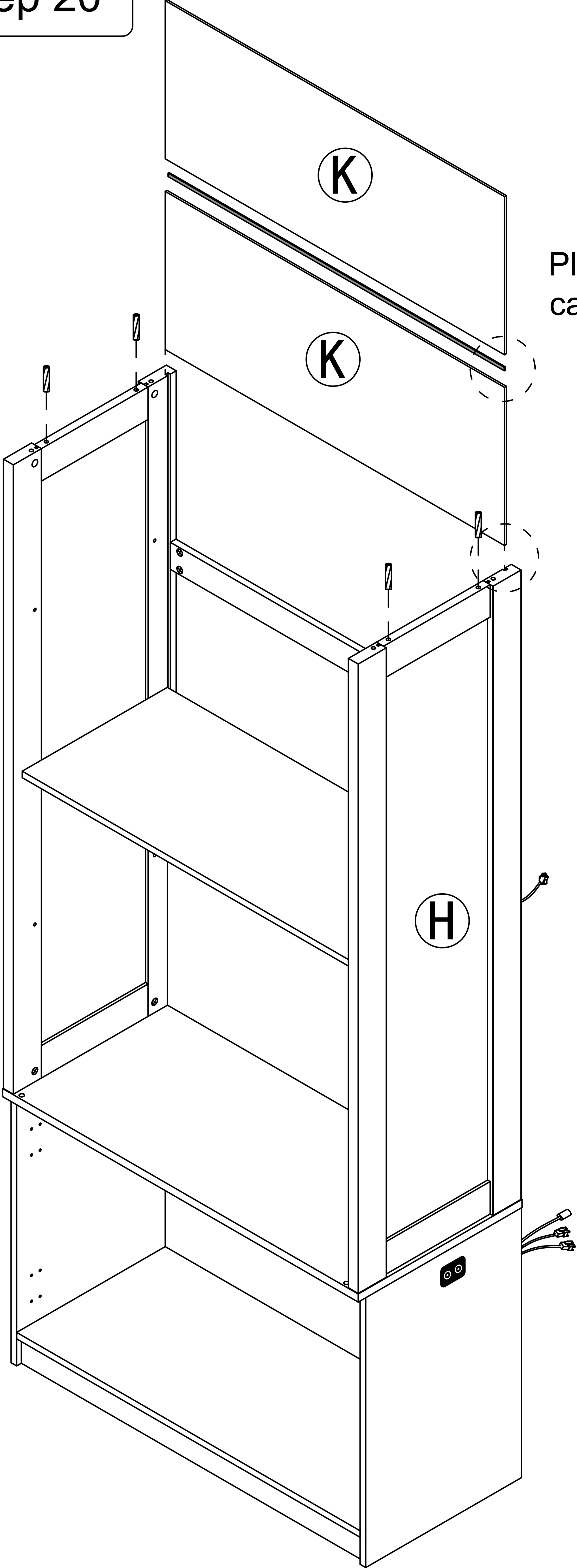


Place the "K" board, Backboard card strip, and "J" board in order

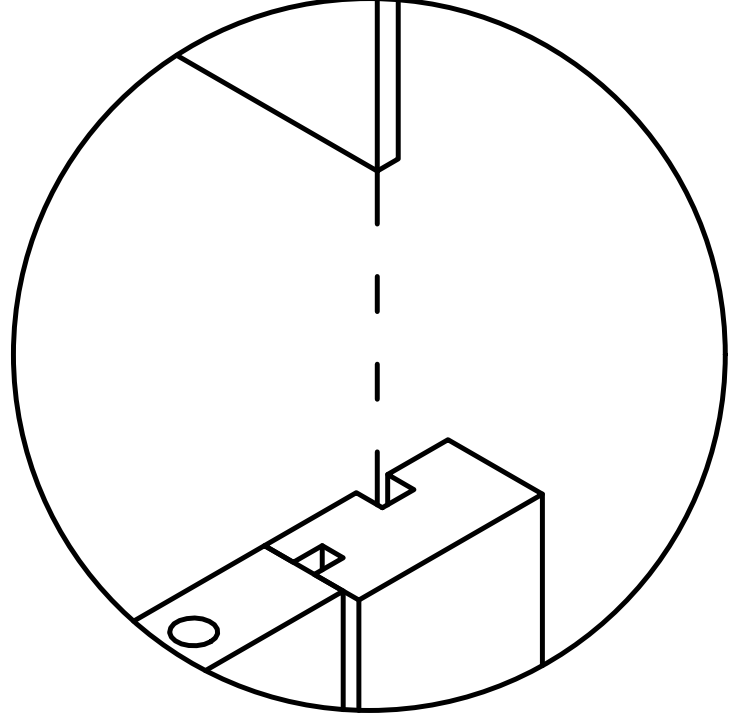
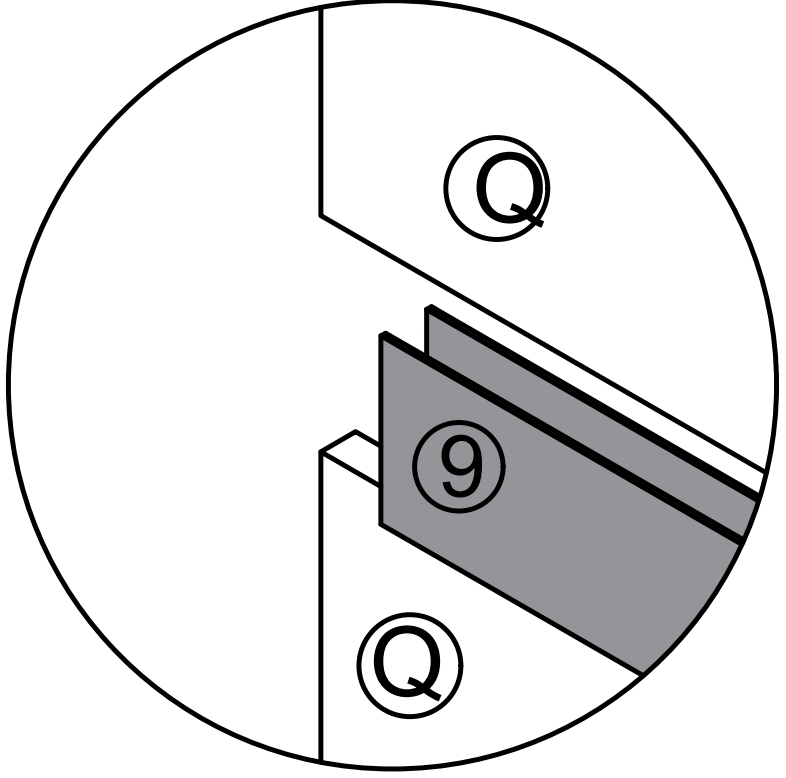


Step 20

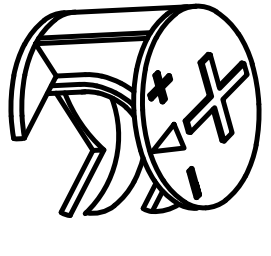
- ③  x4
- ⑨  x1

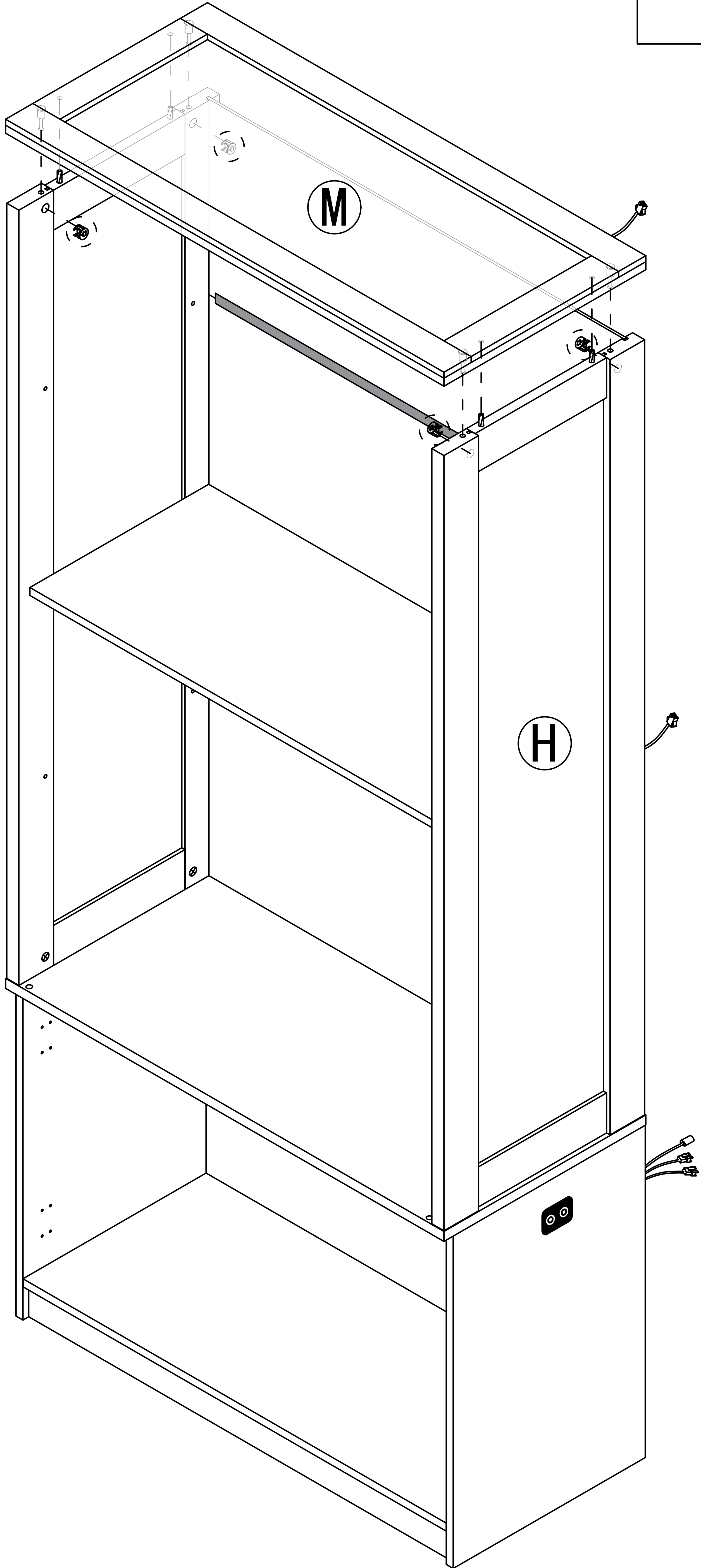


Place the "Q" board, Backboard card strip, and "Q" board in order

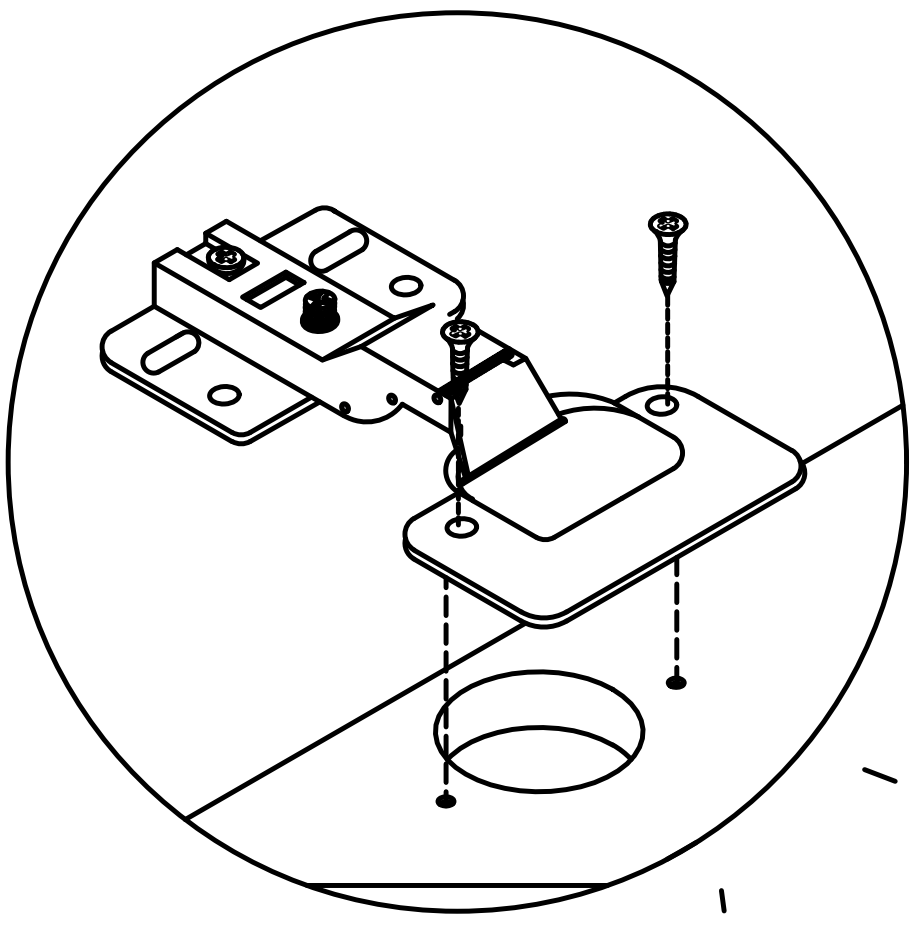


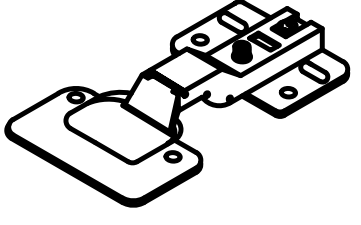
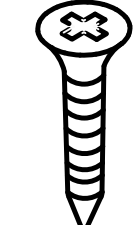
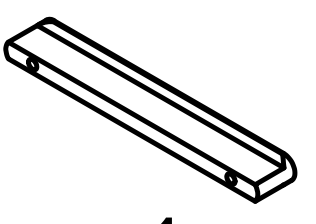

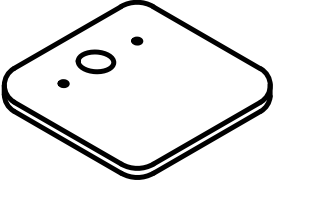
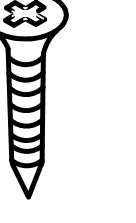
Step 21

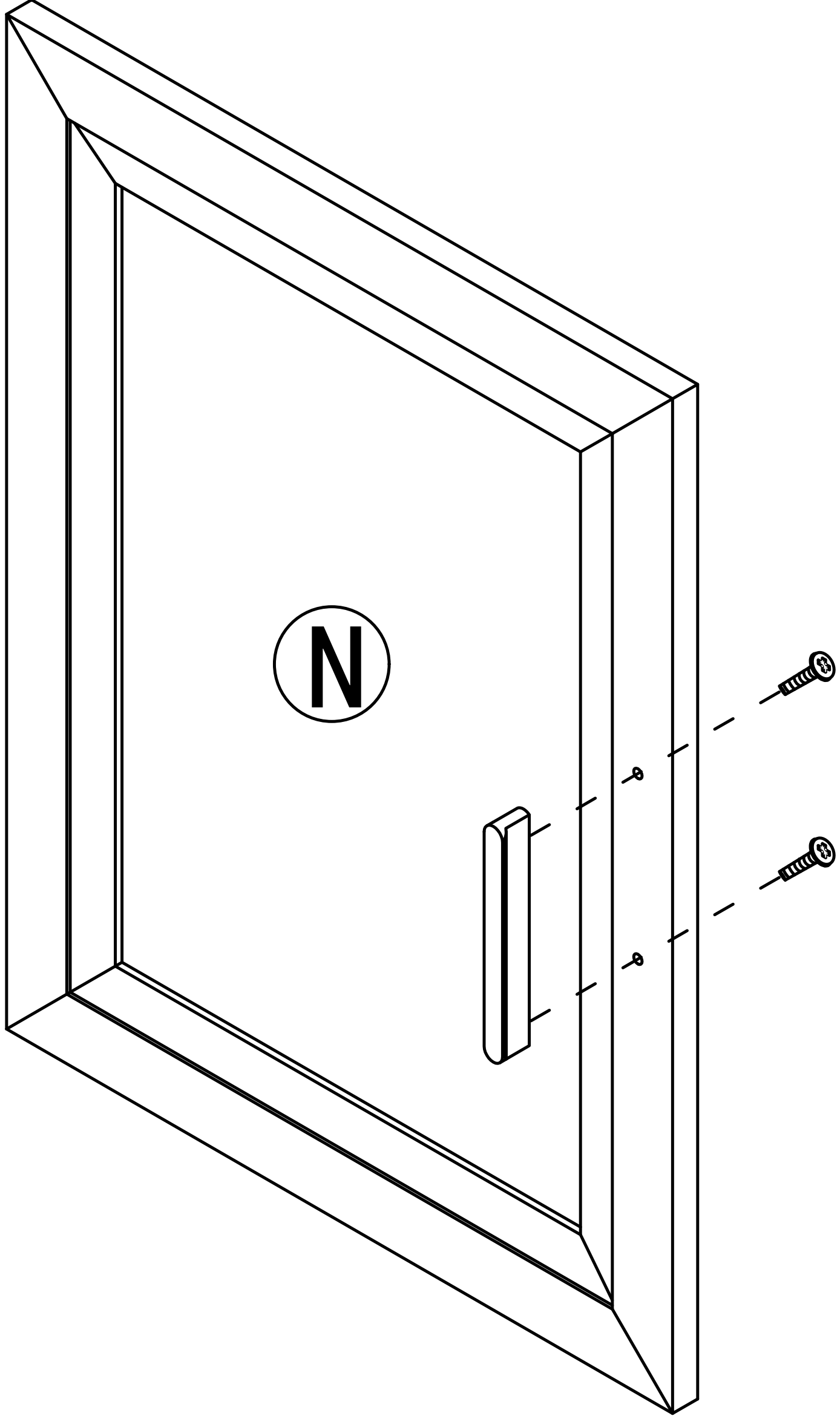
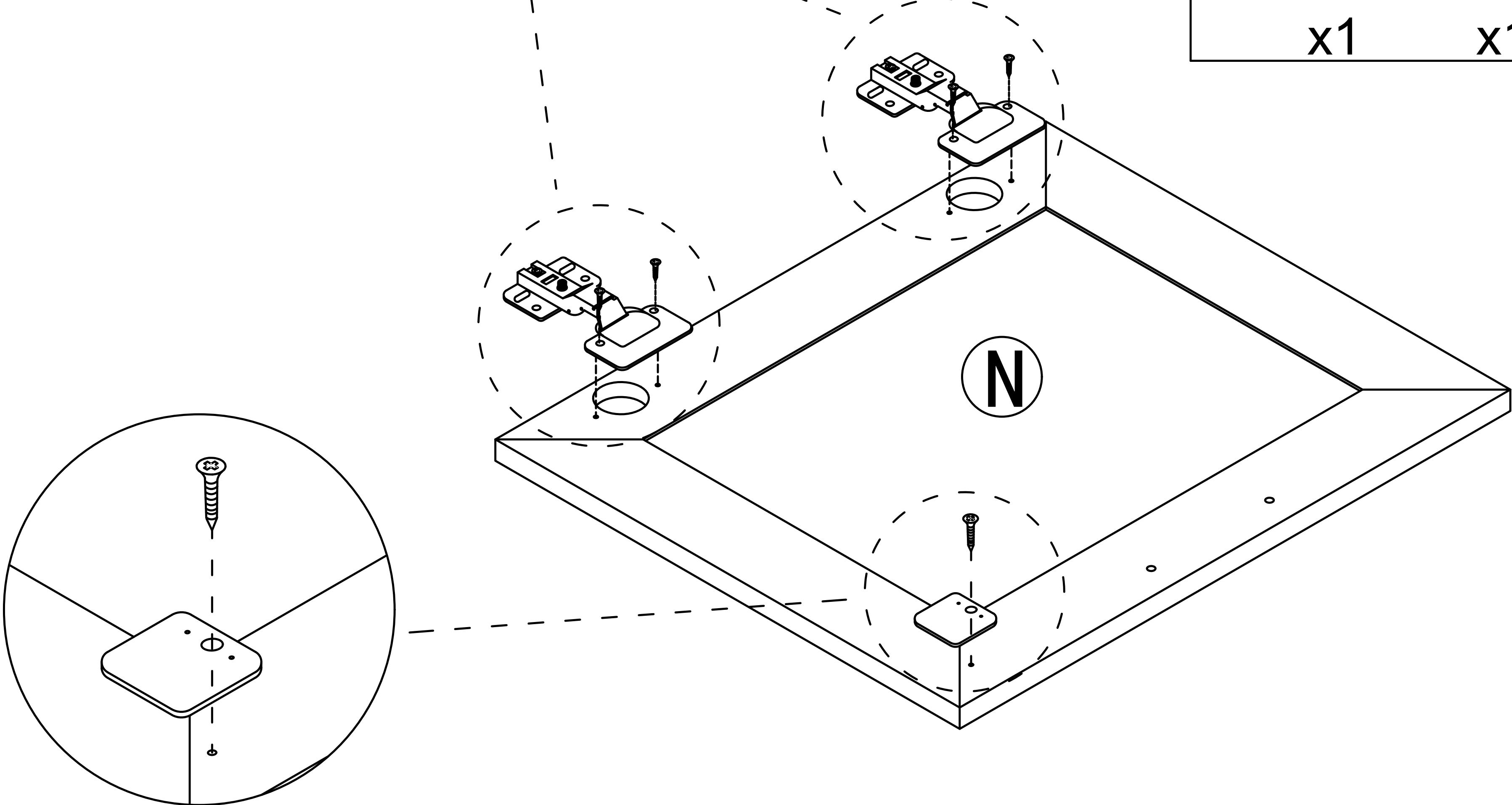
②  x4



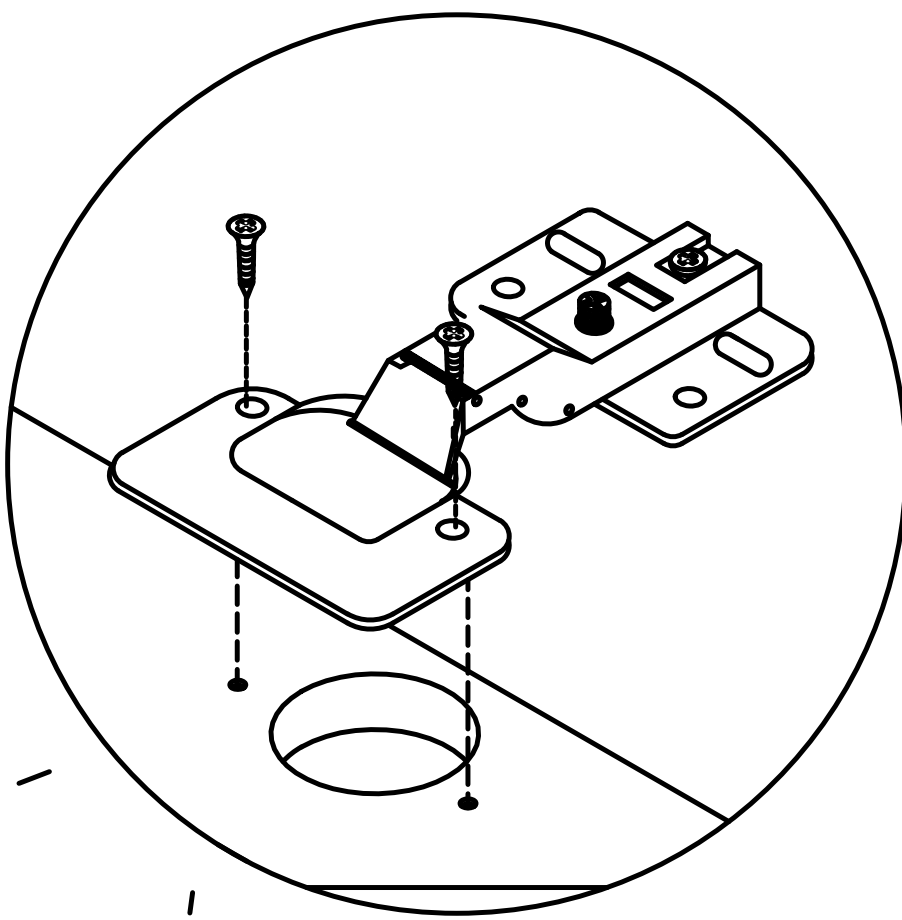
Step 22

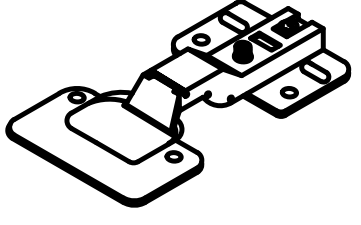
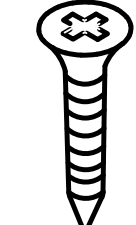
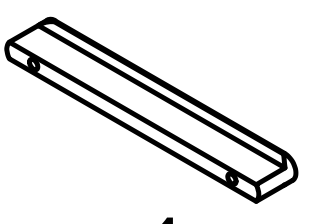

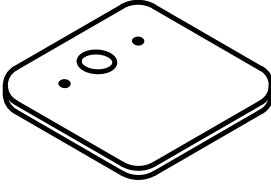
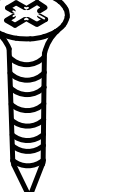


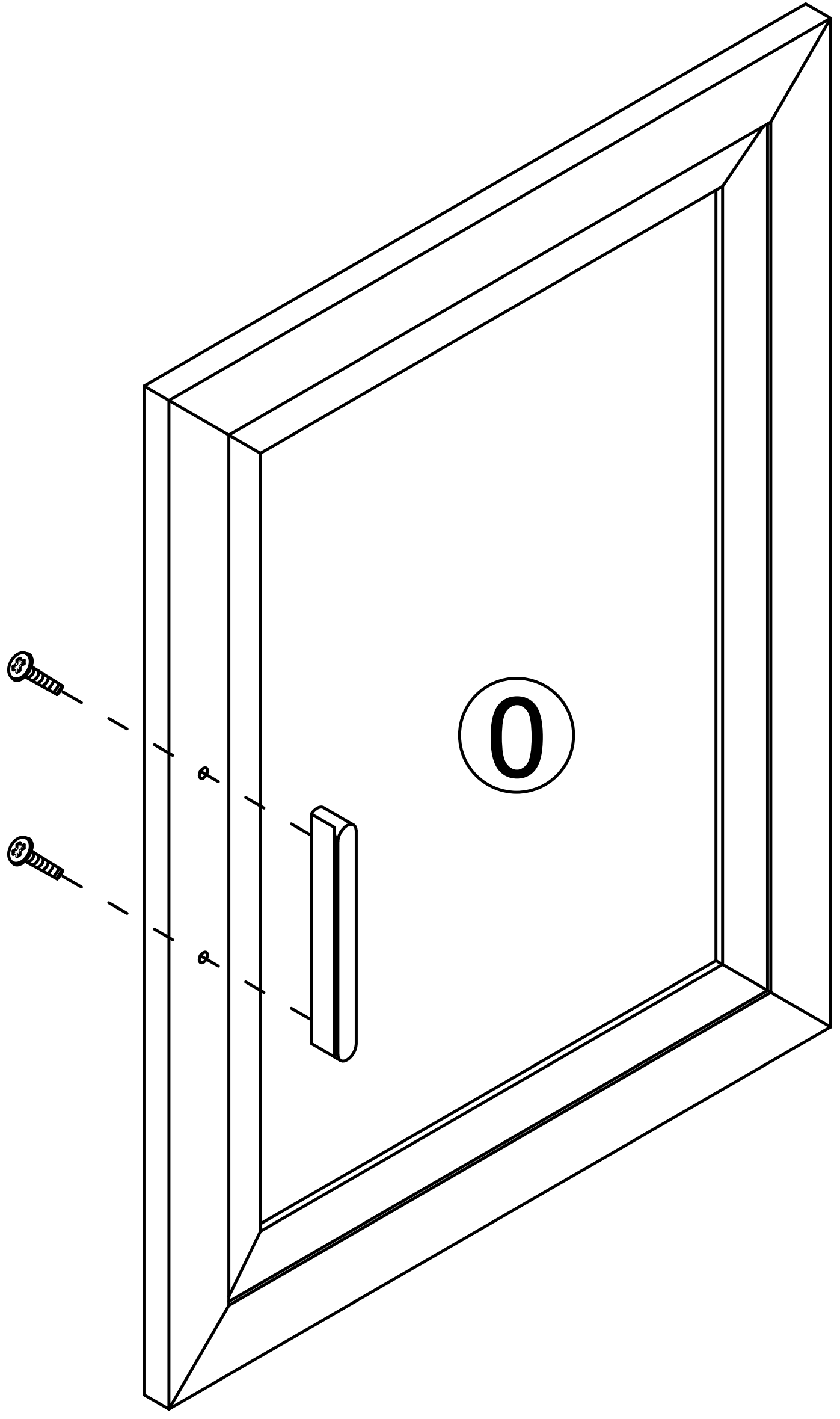
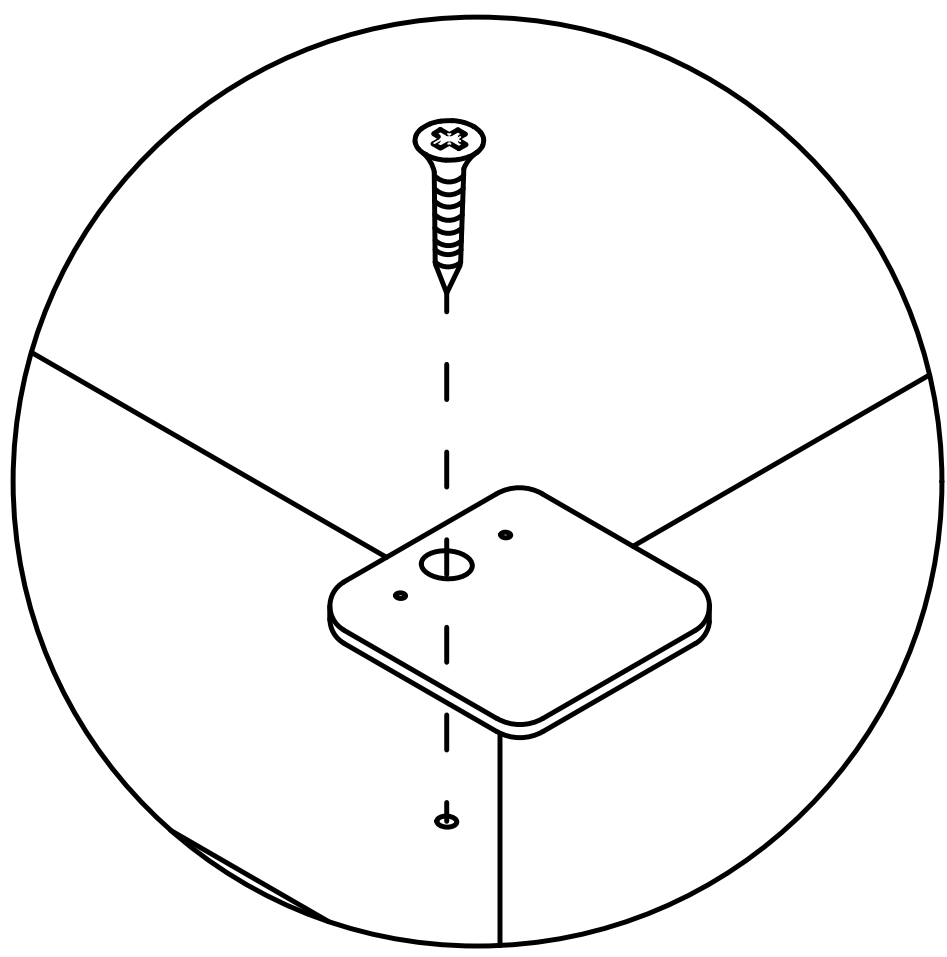
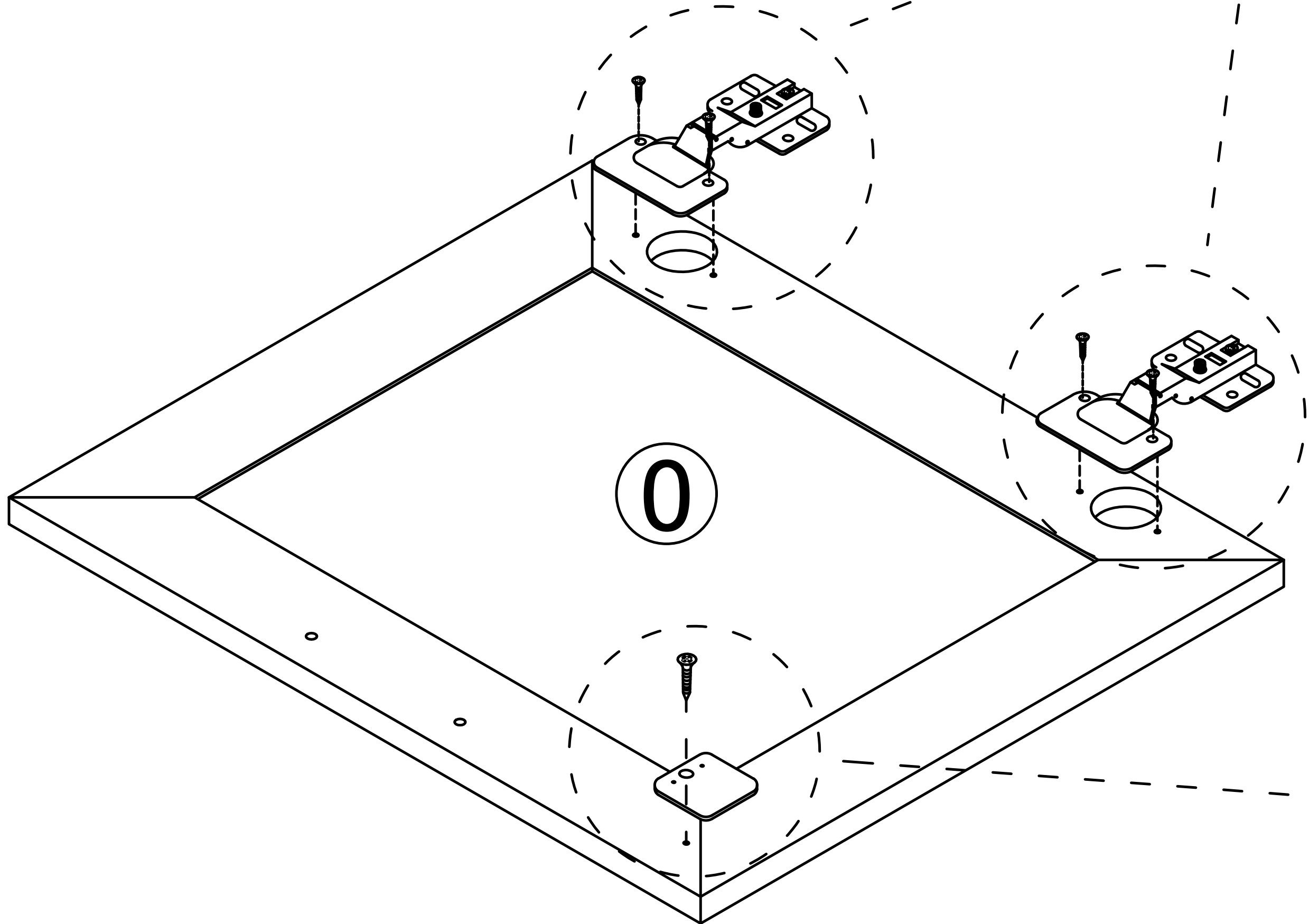
- | | | |
|---|---|---|
| ④ |  |  |
| | x2 | x4 |
| ⑤ |  |  |
| | x1 | x2 |
| ⑭ |  |  |
| | x1 | x1 |



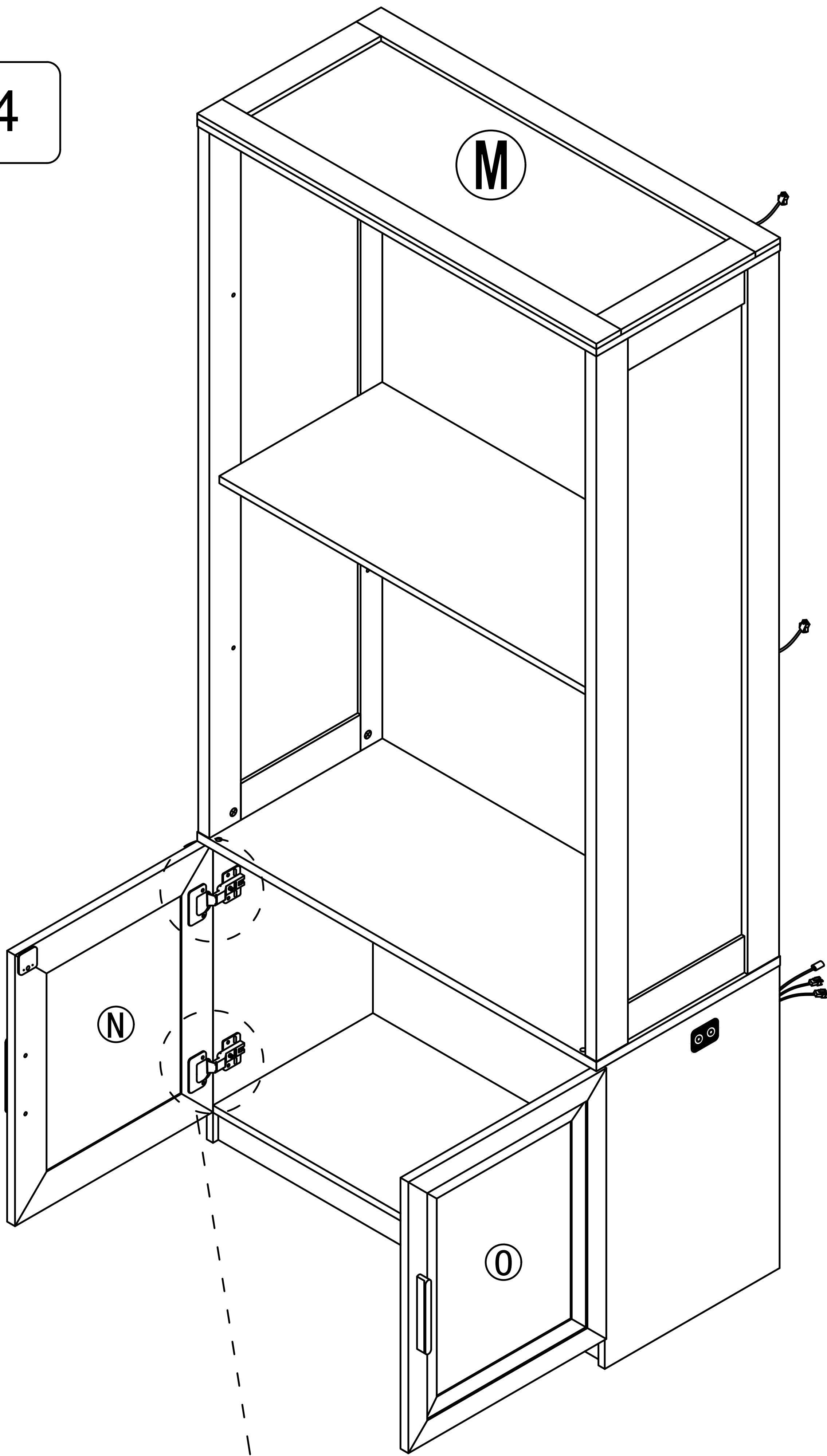
Step 23



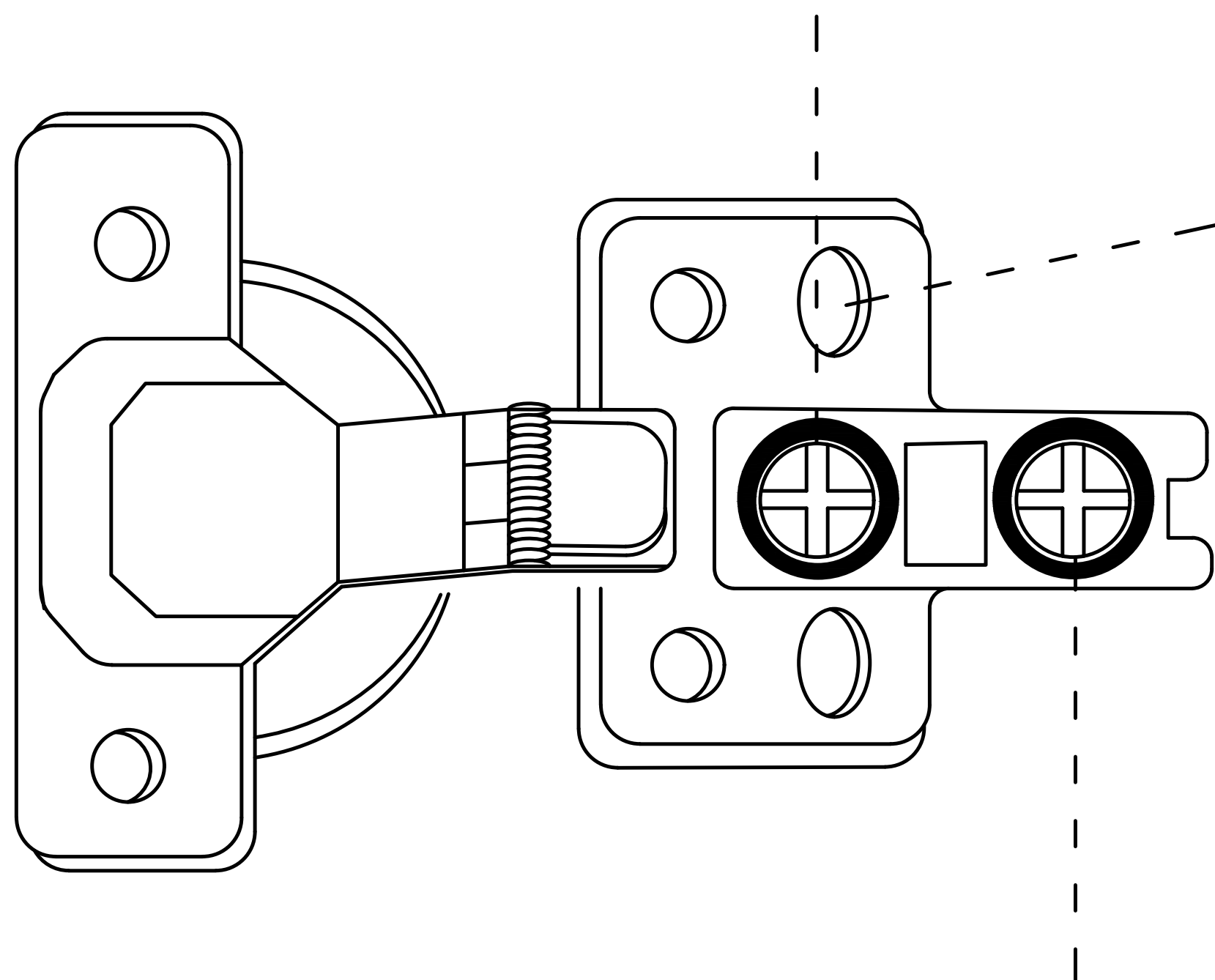
- | | | |
|---|---|---|
| ④ |  |  |
| | x2 | x4 |
| ⑤ |  |  |
| | x1 | x2 |
| ⑭ |  |  |
| | x1 | x1 |



Step 24



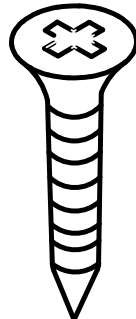
Turning this screw can effectively adjust the size of the door gap.

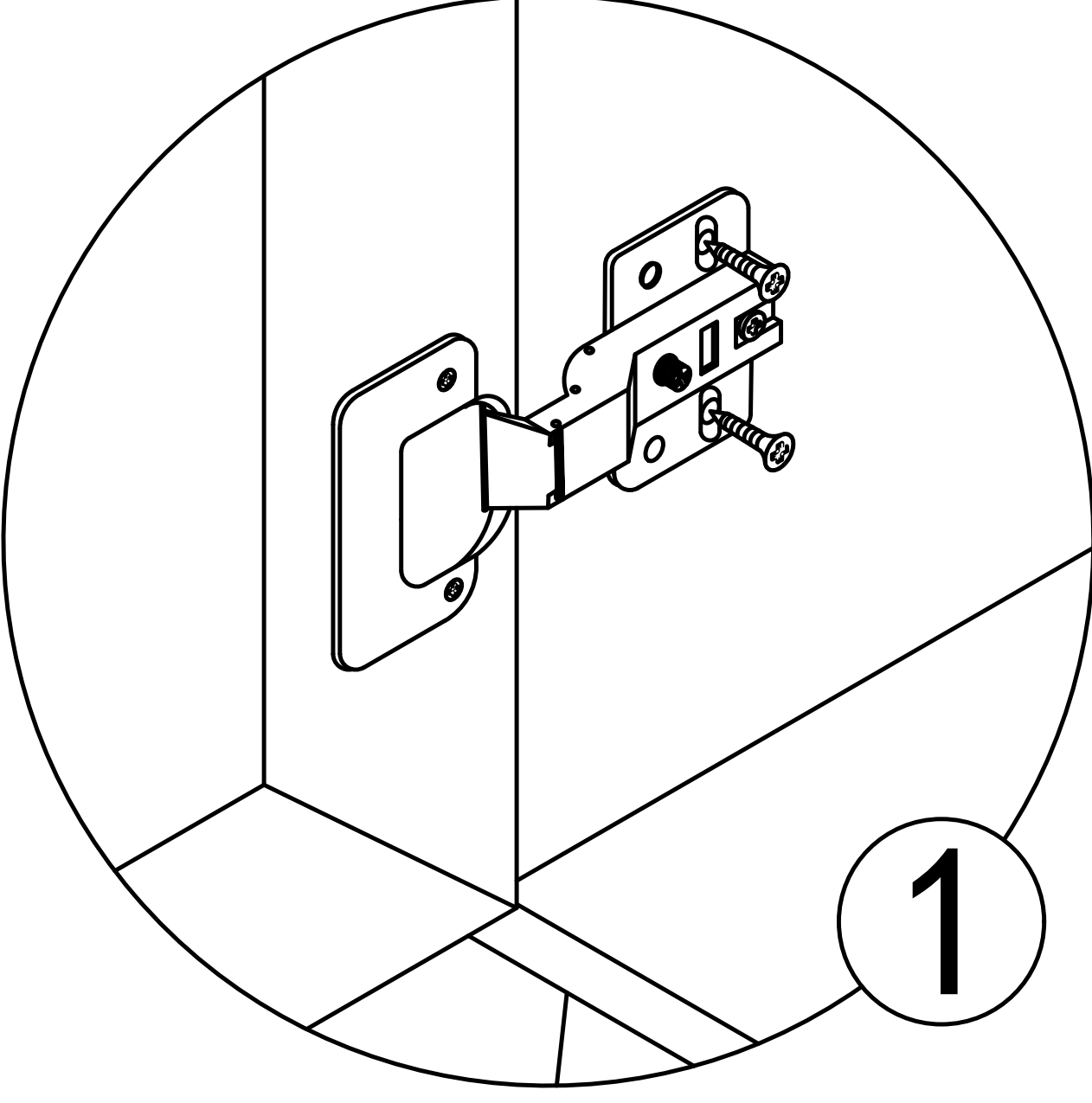
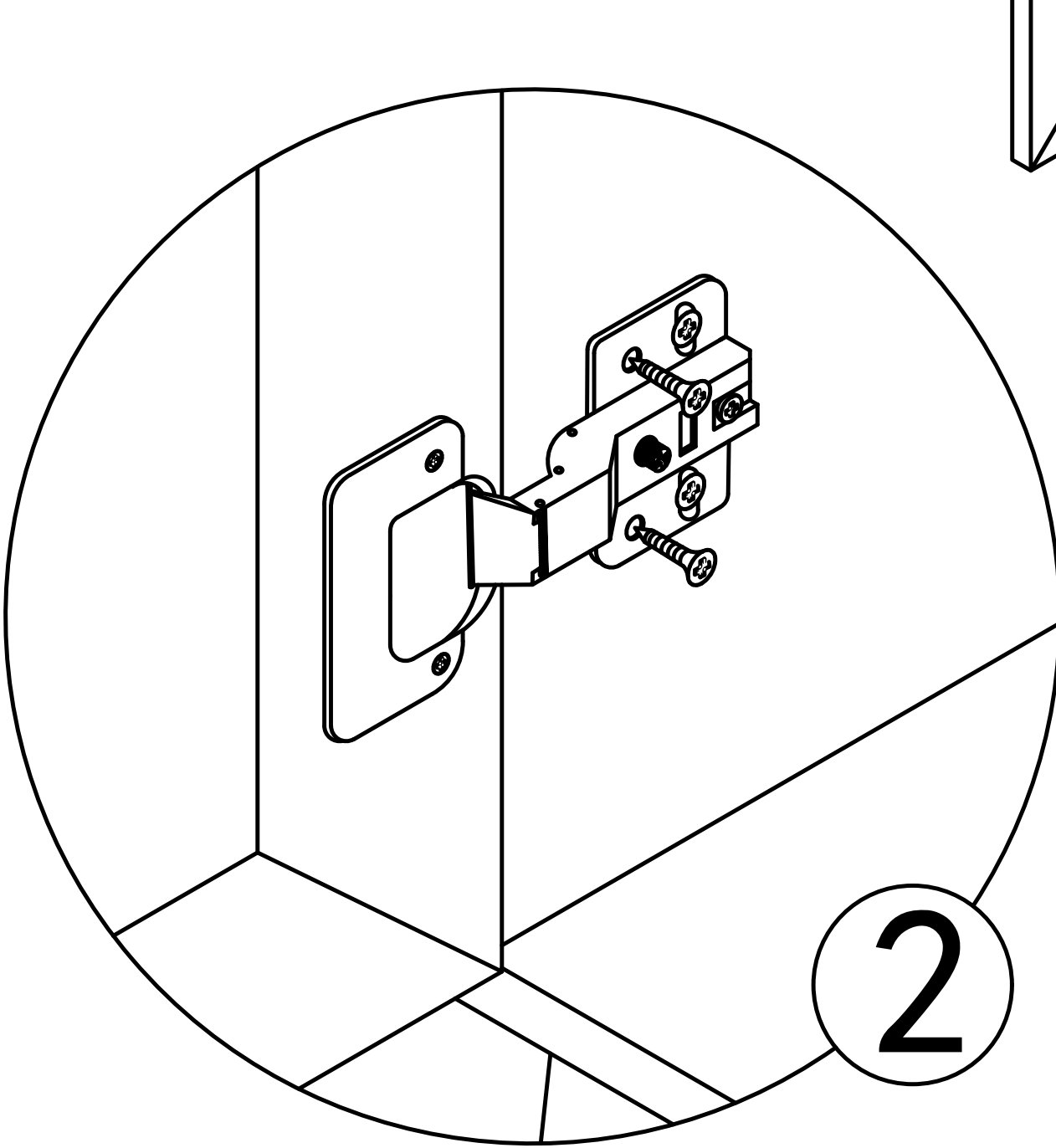
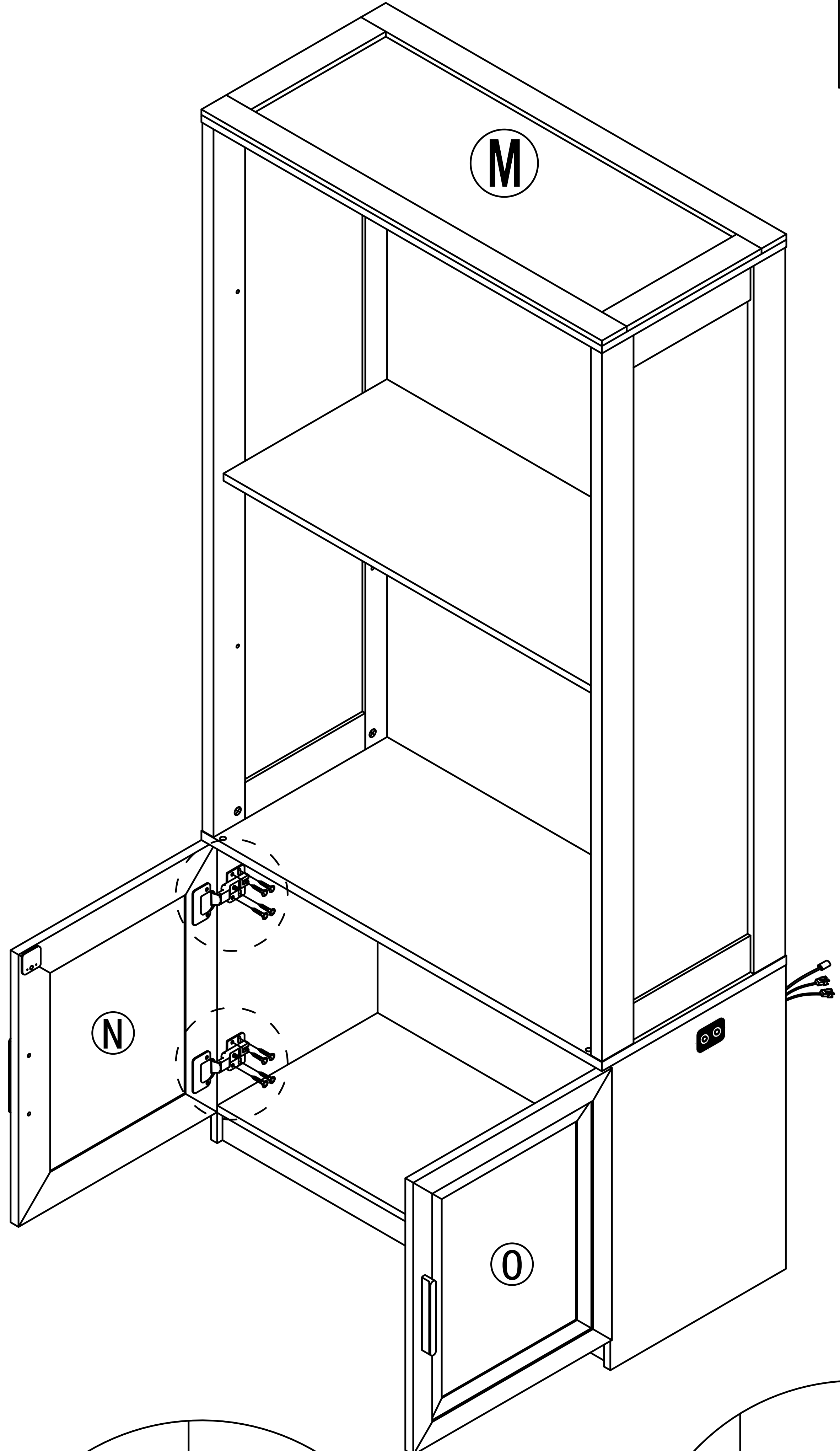


Adjust hole control the up and down height of the door

Turn this screw to adjust the door panel to be flat with the side panel.

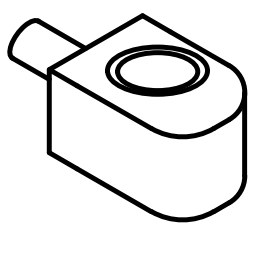
Step 25

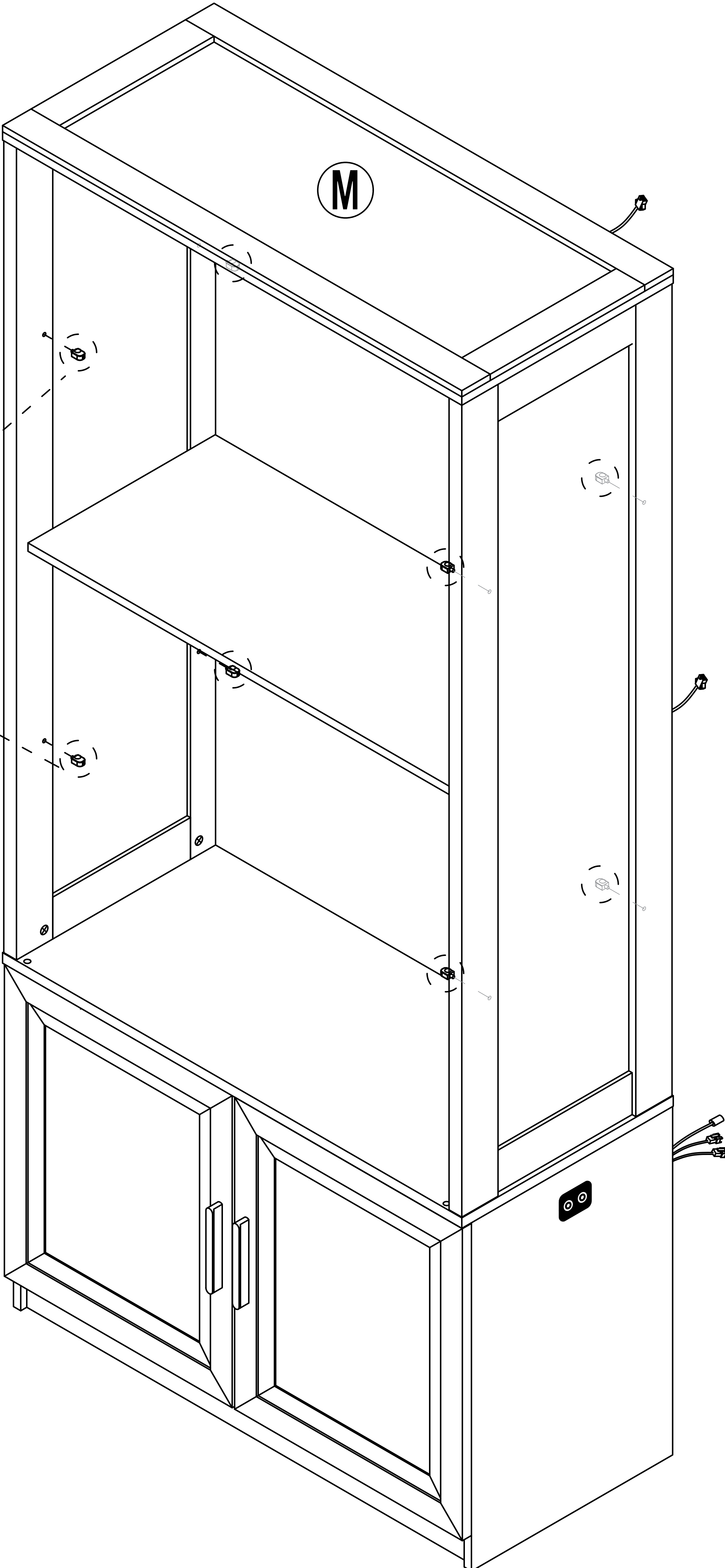
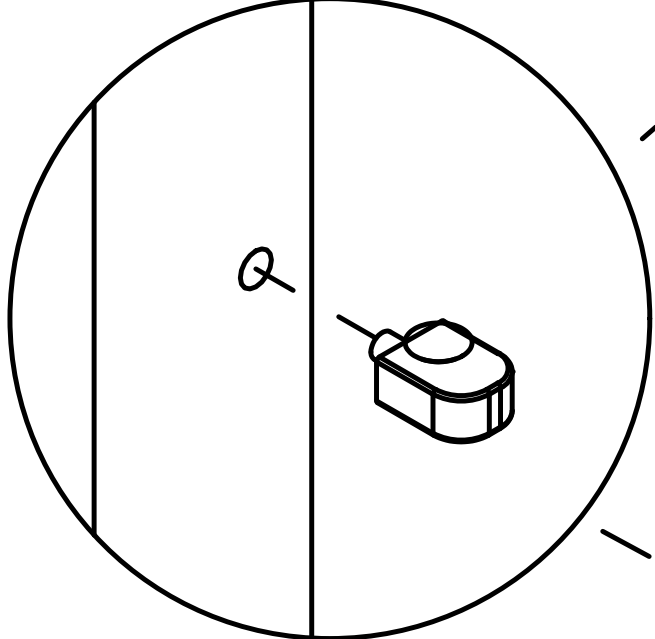
④  x8



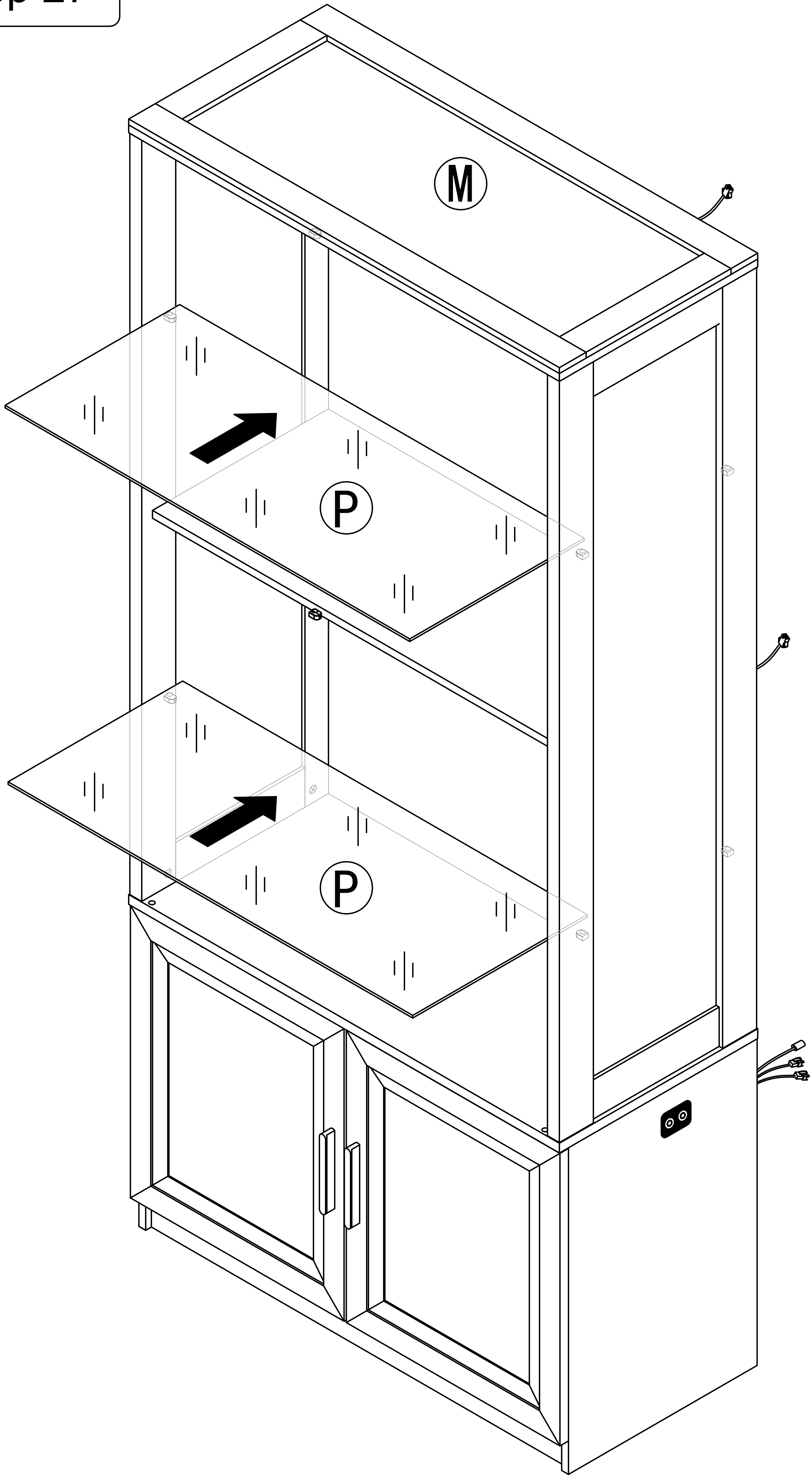
First lock the elliptical hole
then lock the fixed hole

Step 26

8  x8

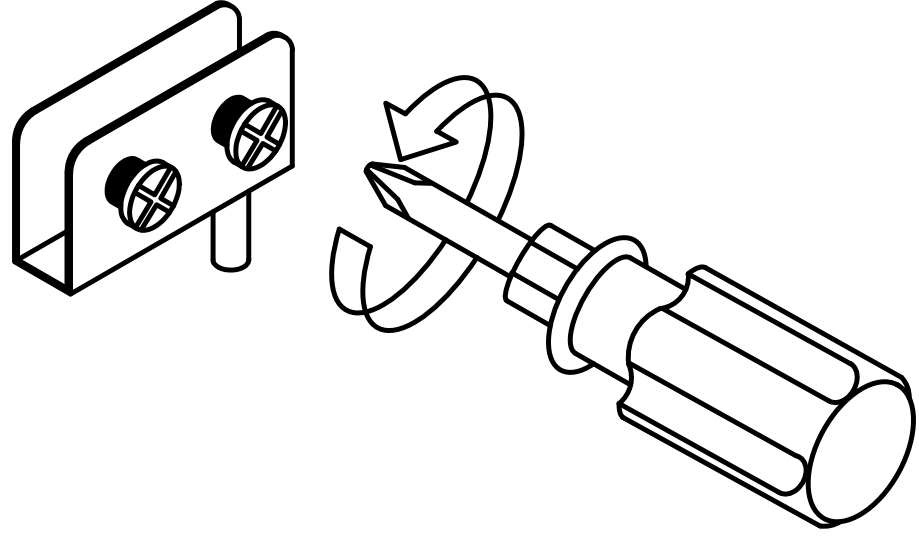


Step 27

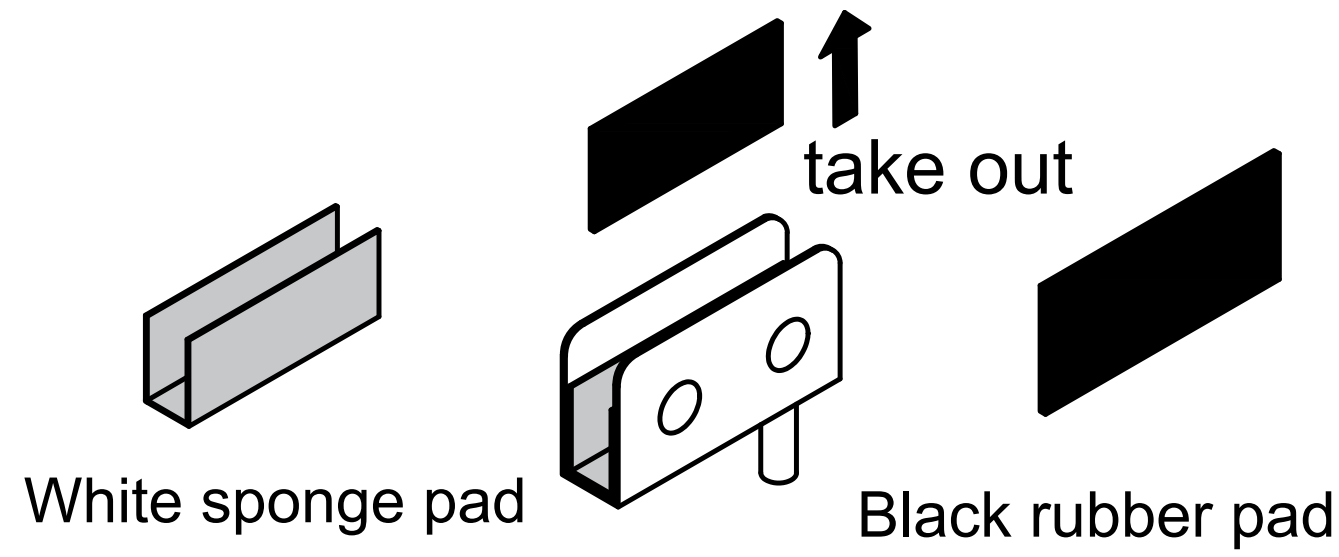


Step 28

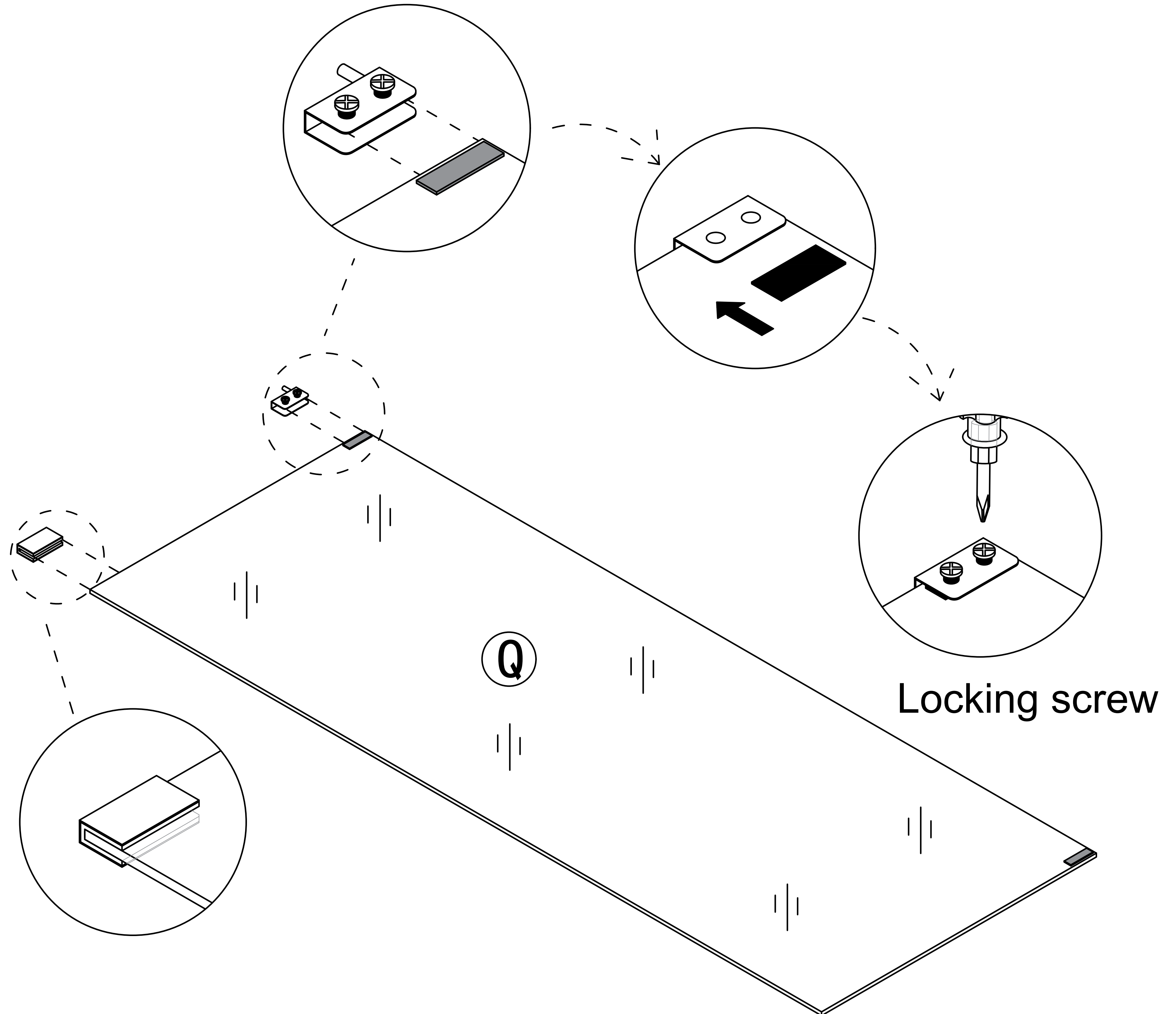
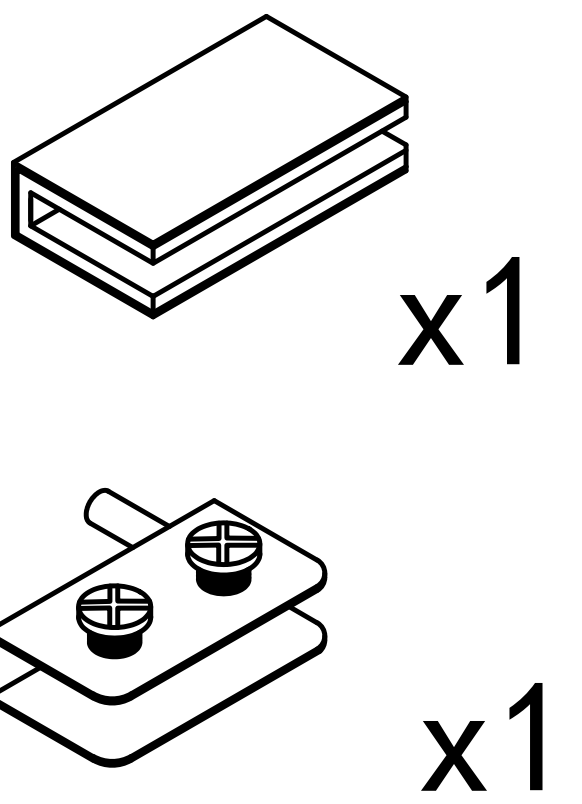
First, completely unscrew the screws on the parts



Then take out the black rubber pad from the inside of the part, and the white sponge remains unchanged inside the part.



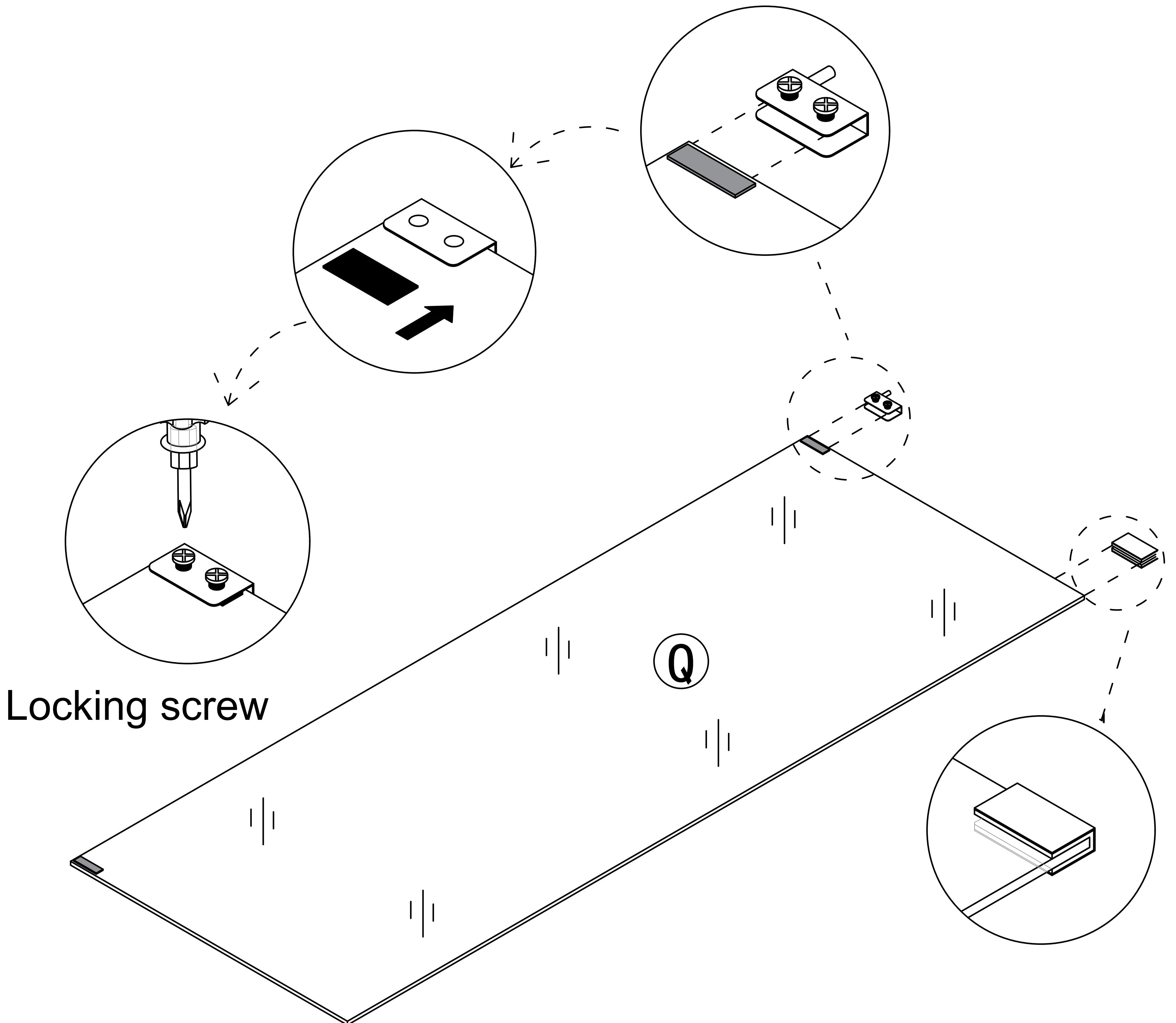
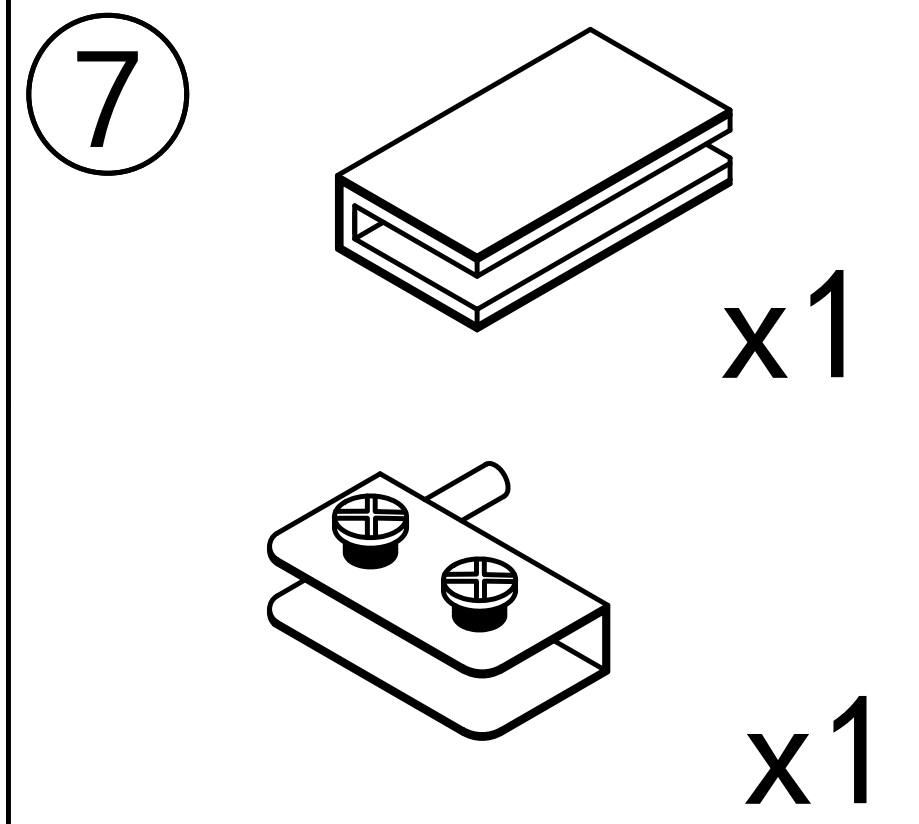
7



Pay attention to the direction of the door hinge, rotate the screws to compress the black gasket, and do not place it in the opposite direction

Place the black gasket on the side where the screws are installed

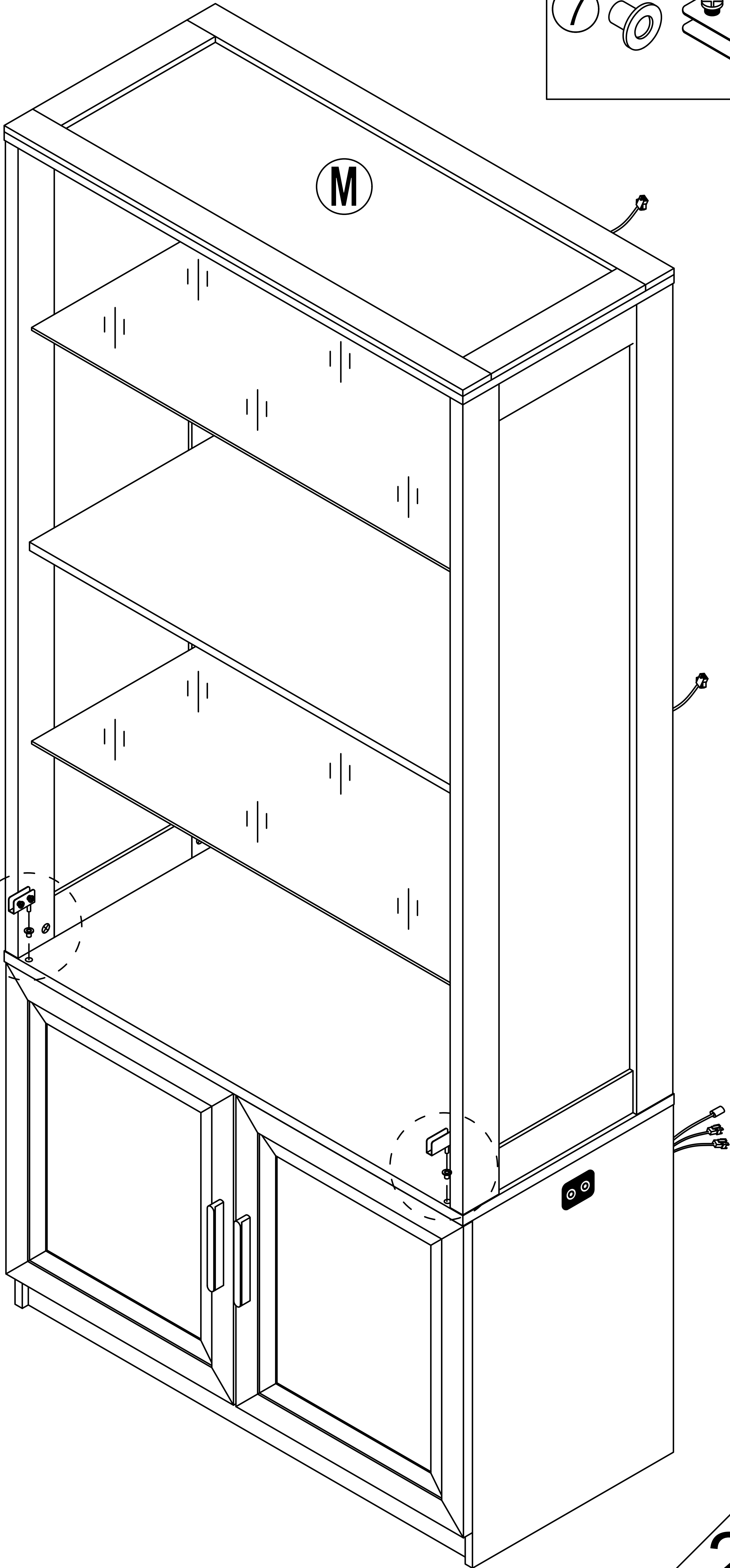
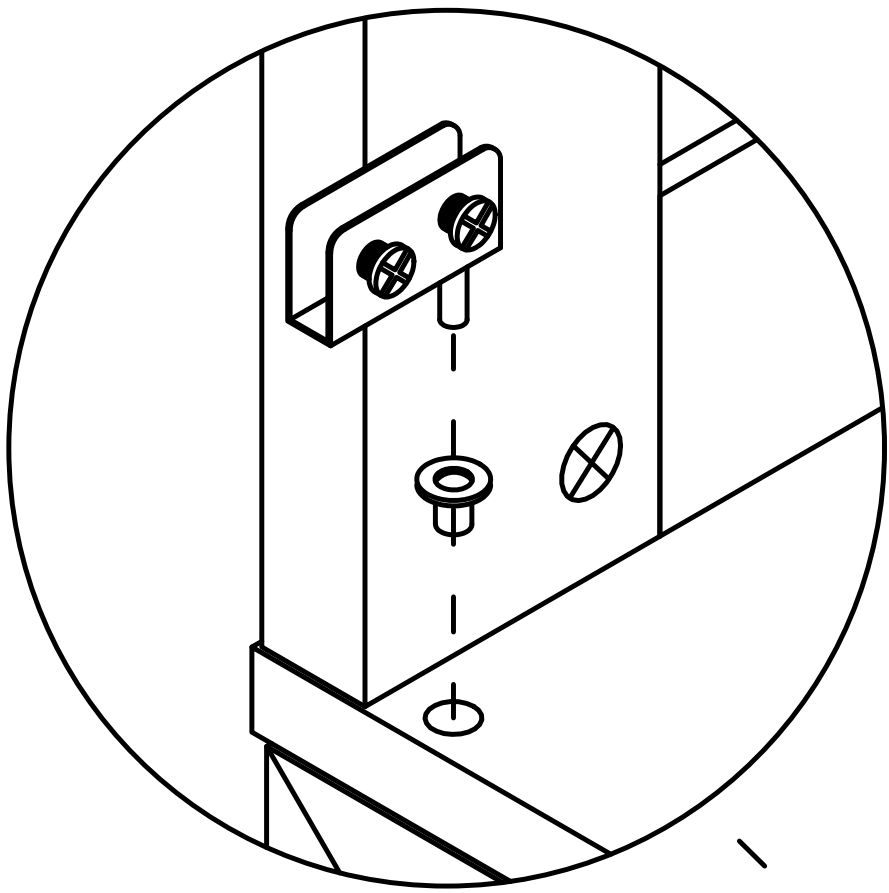
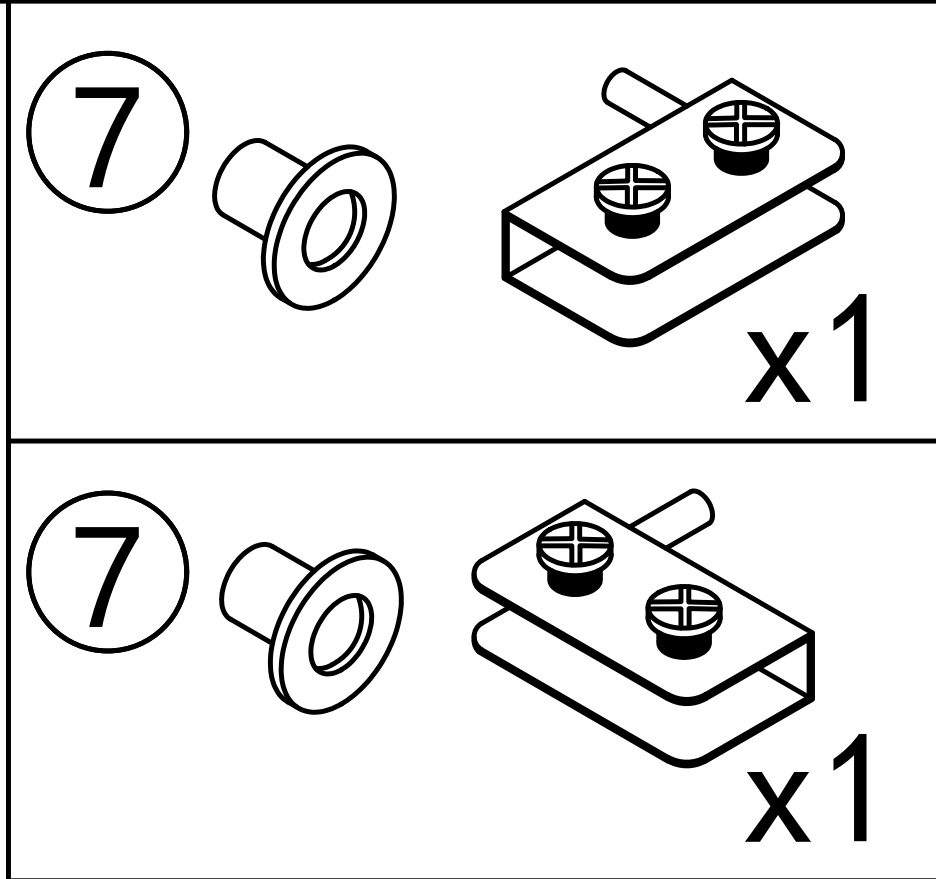
Step 29



Pay attention to the direction of the door hinge, rotate the screws to compress the black gasket, and do not place it in the opposite direction

Place the black gasket on the side where the screws are installed

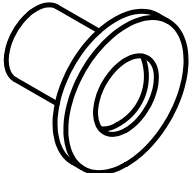
Step 30



Step 31

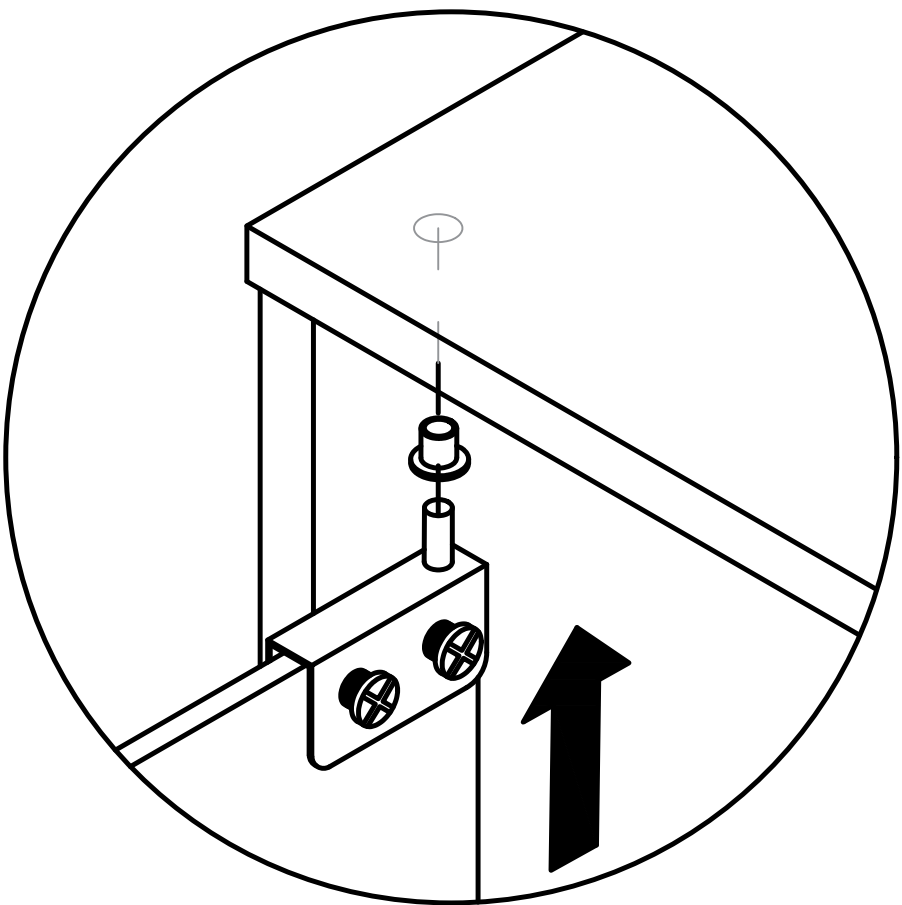
Pay attention to the direction of the door hinge during installation

7

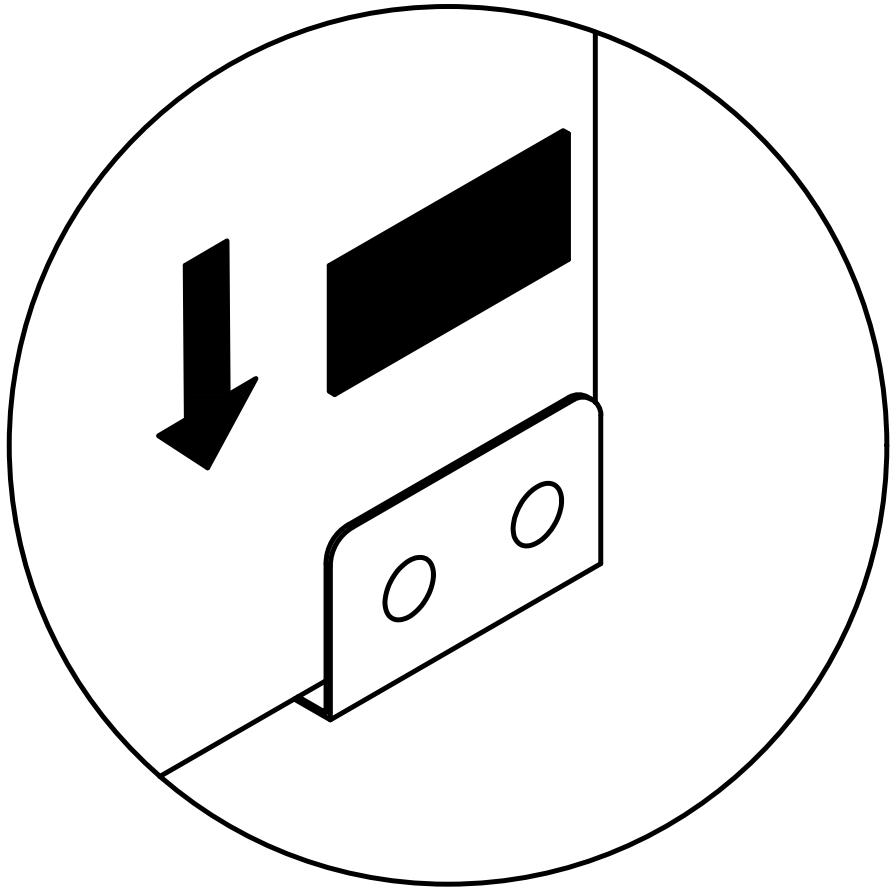


x2

When installing a glass door, it is recommended to have two people install it to avoid the glass door colliding or hitting oneself.

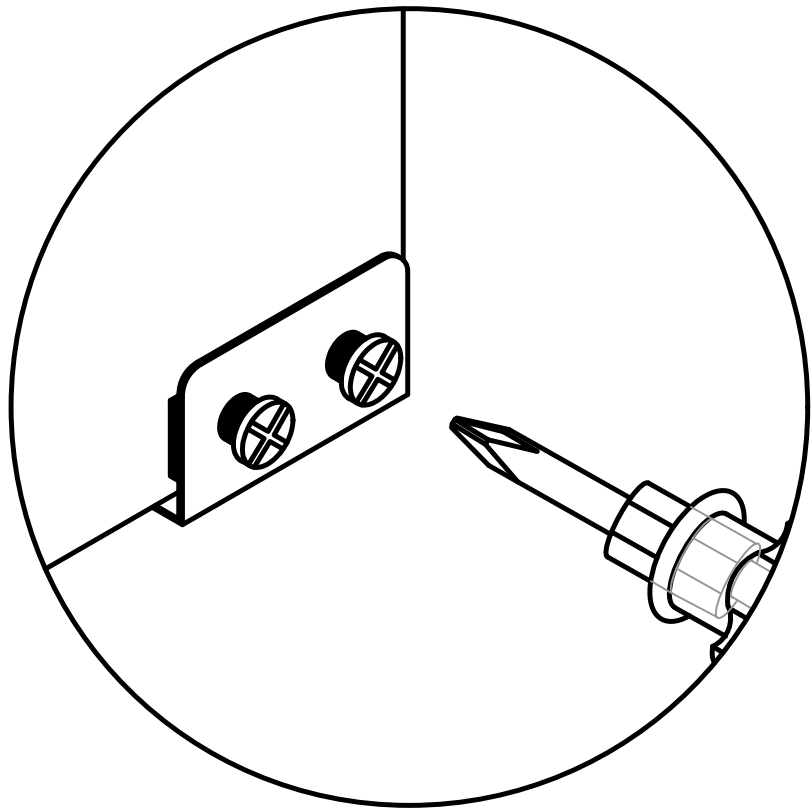


first



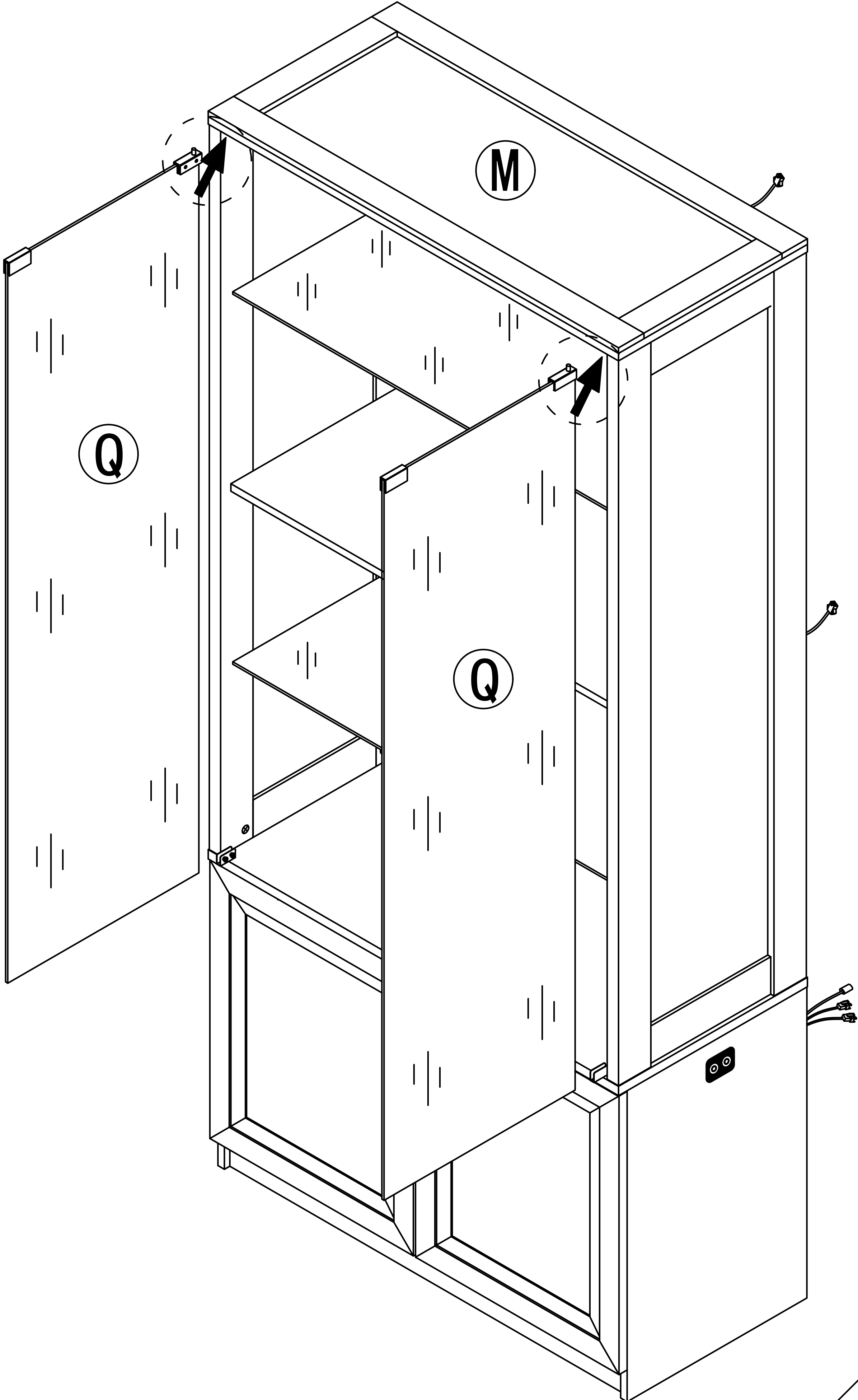
second

After installing the glass door, place the black gasket on the side where the screws are installed



third

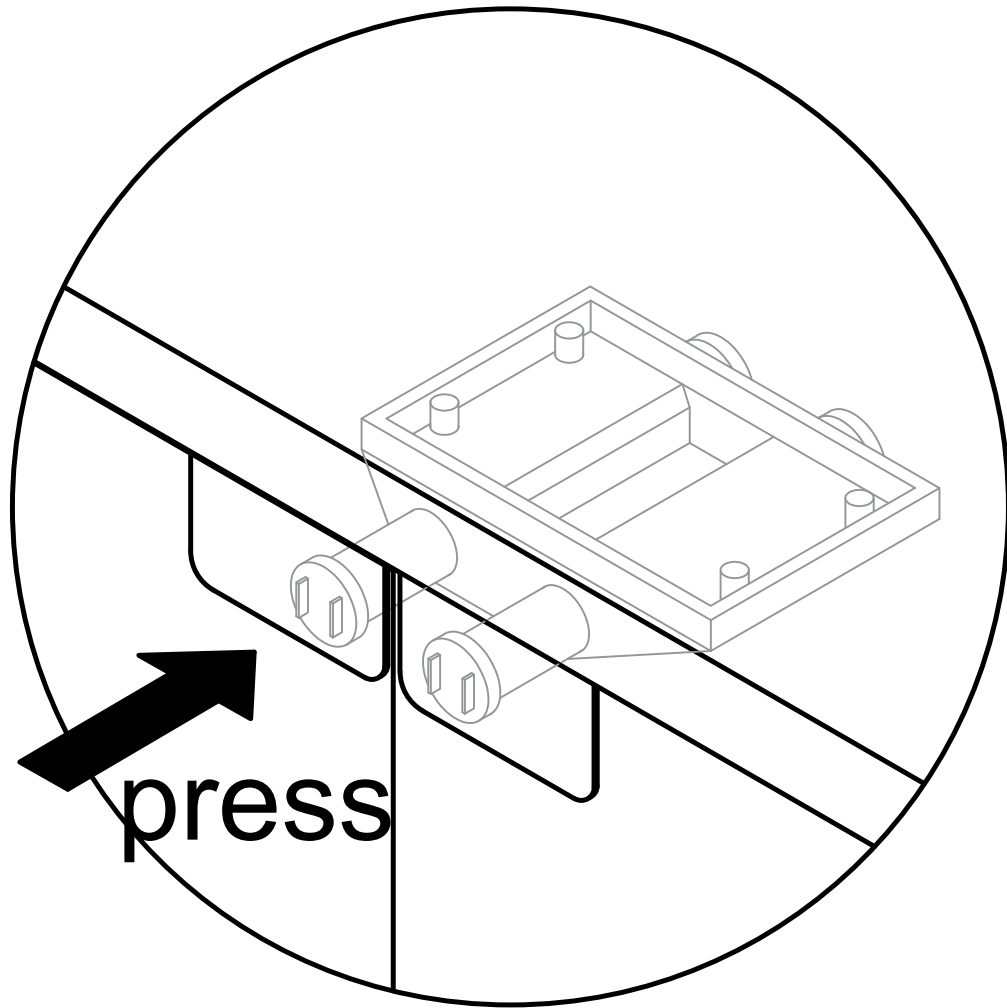
Locking screw



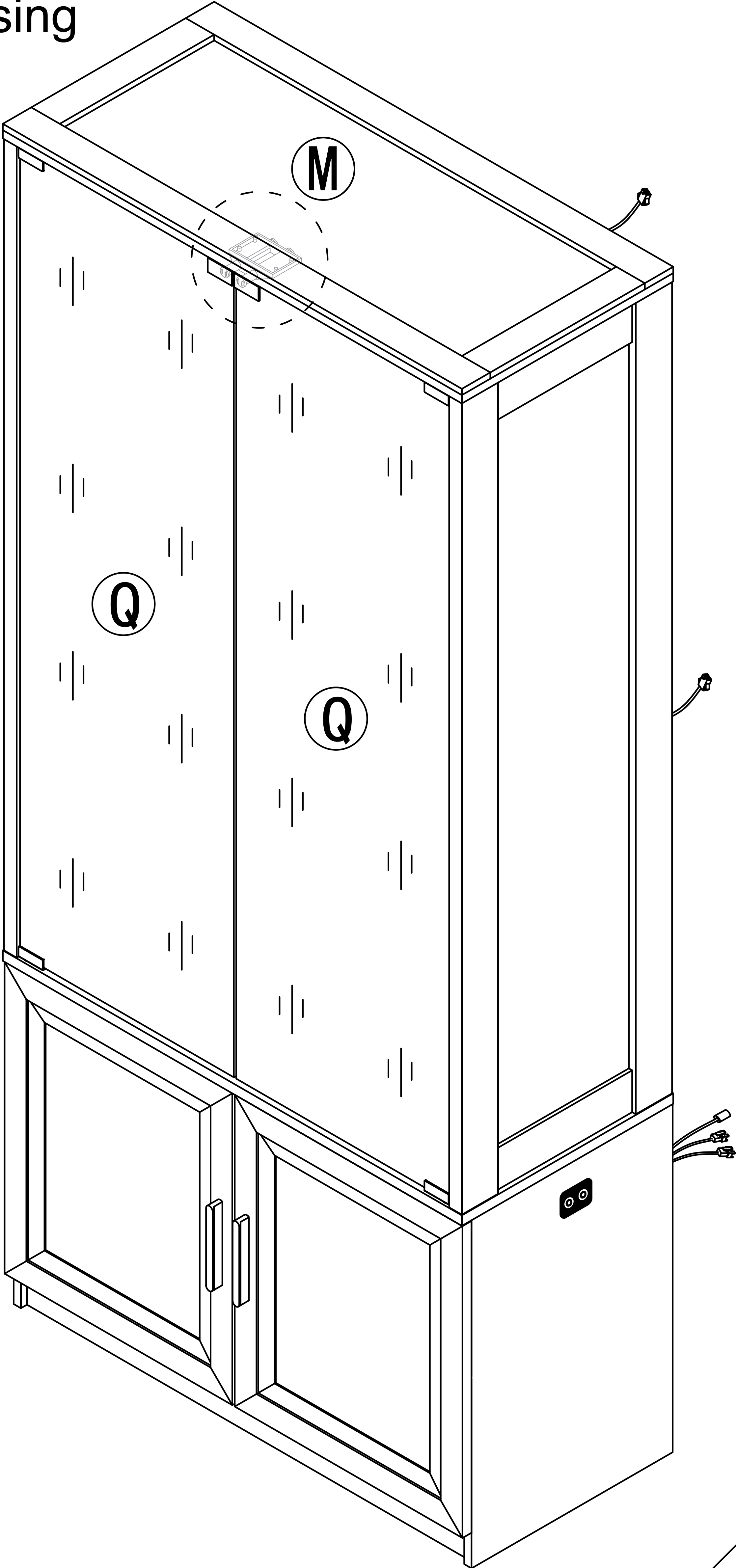
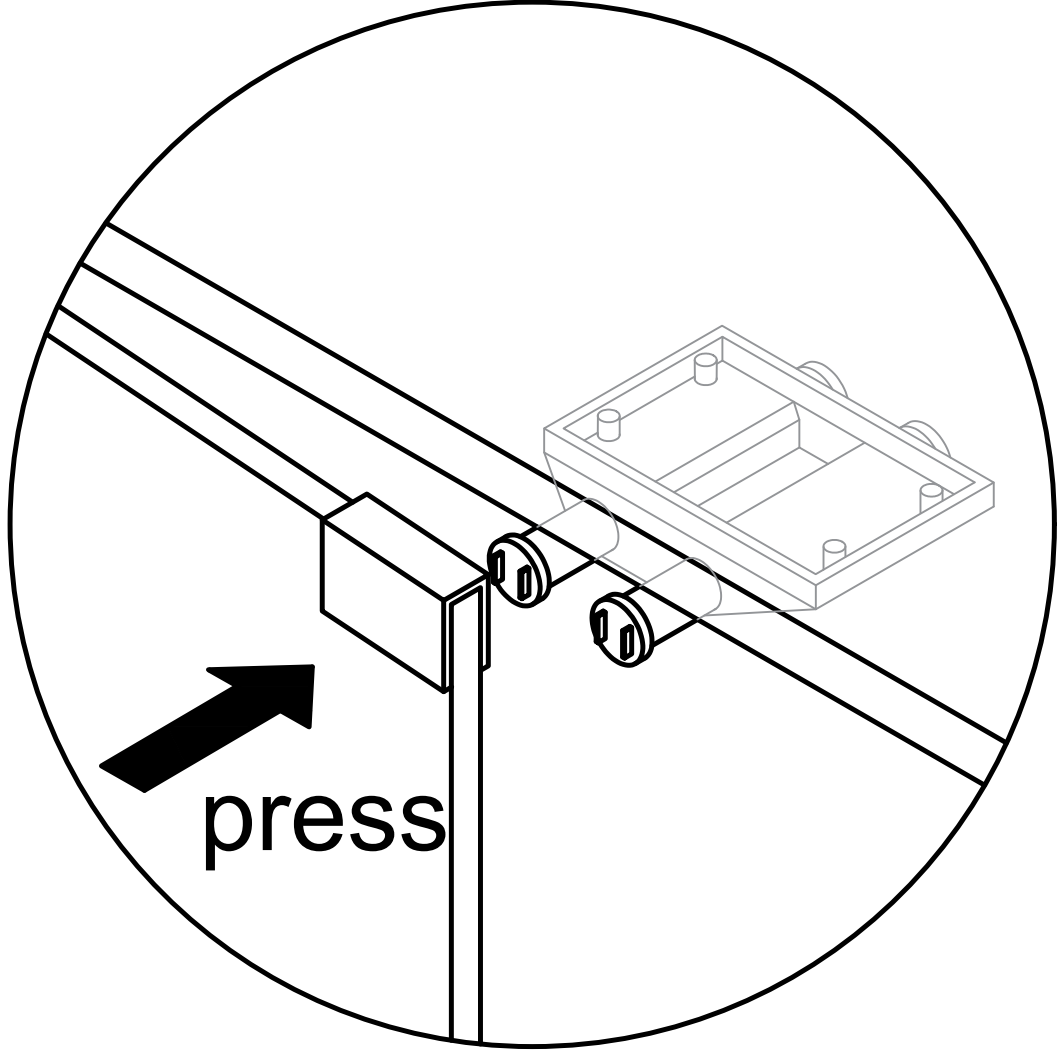
Step 32

The rebound device automatically opens and closes by pressing

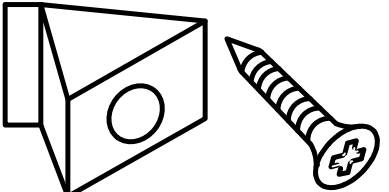
Open the glass door

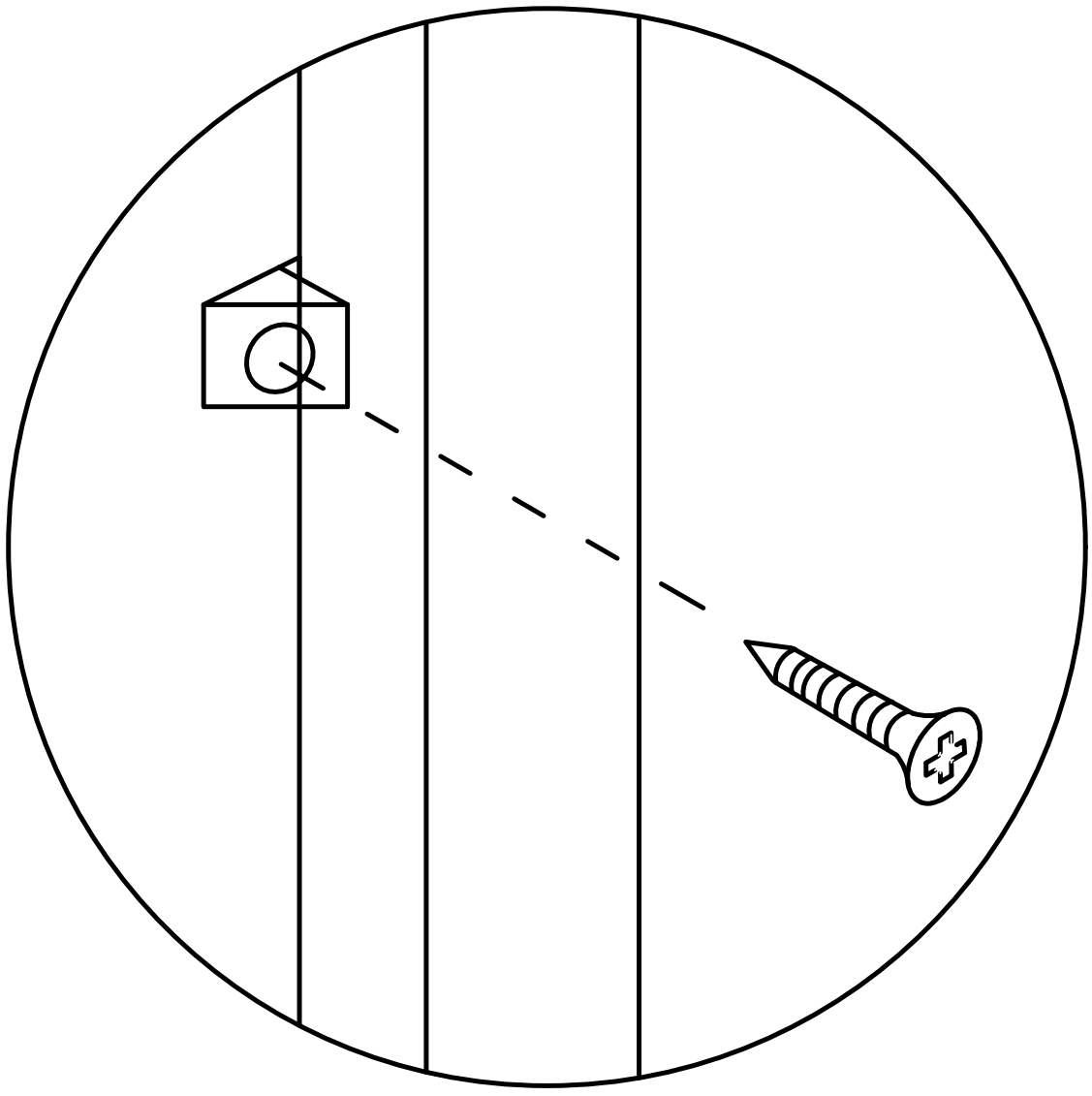
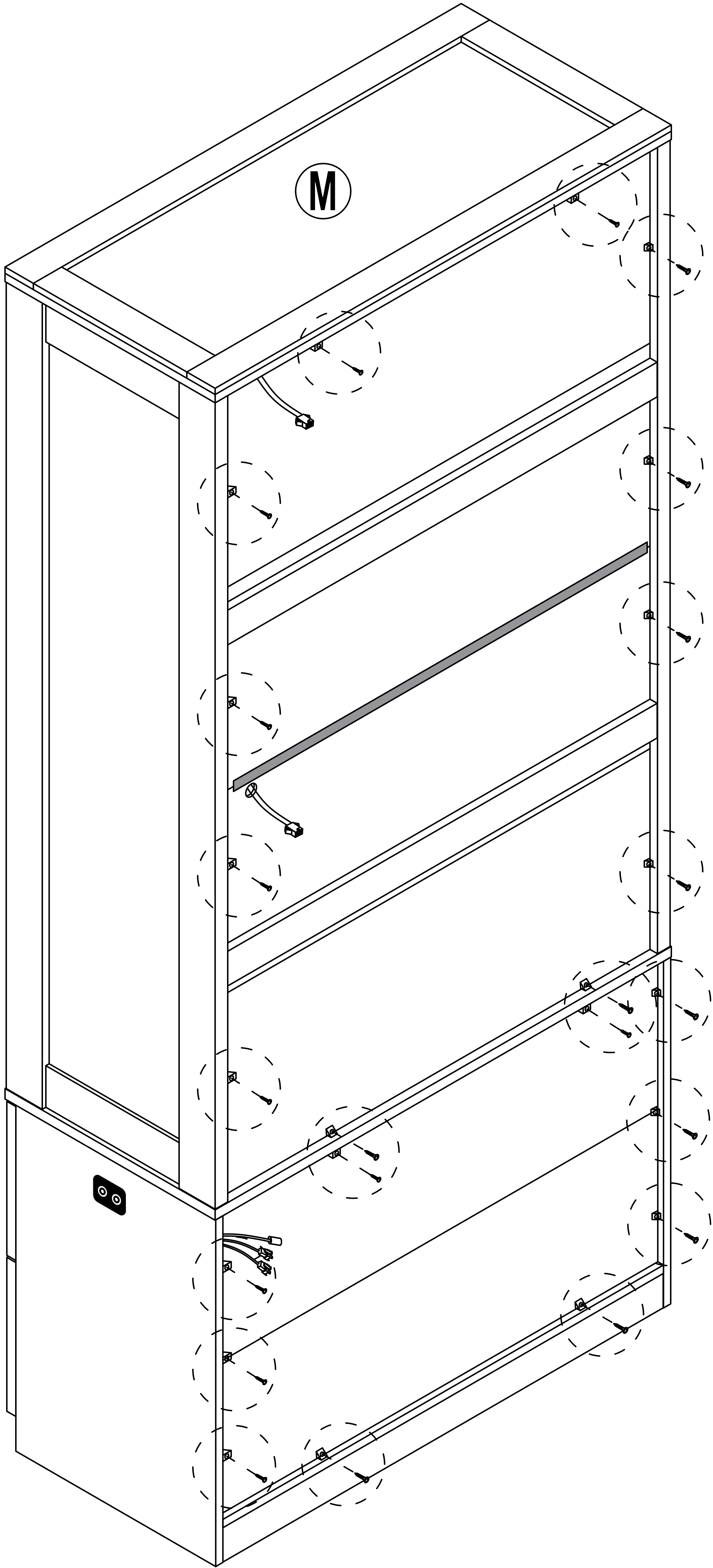


Close the glass door

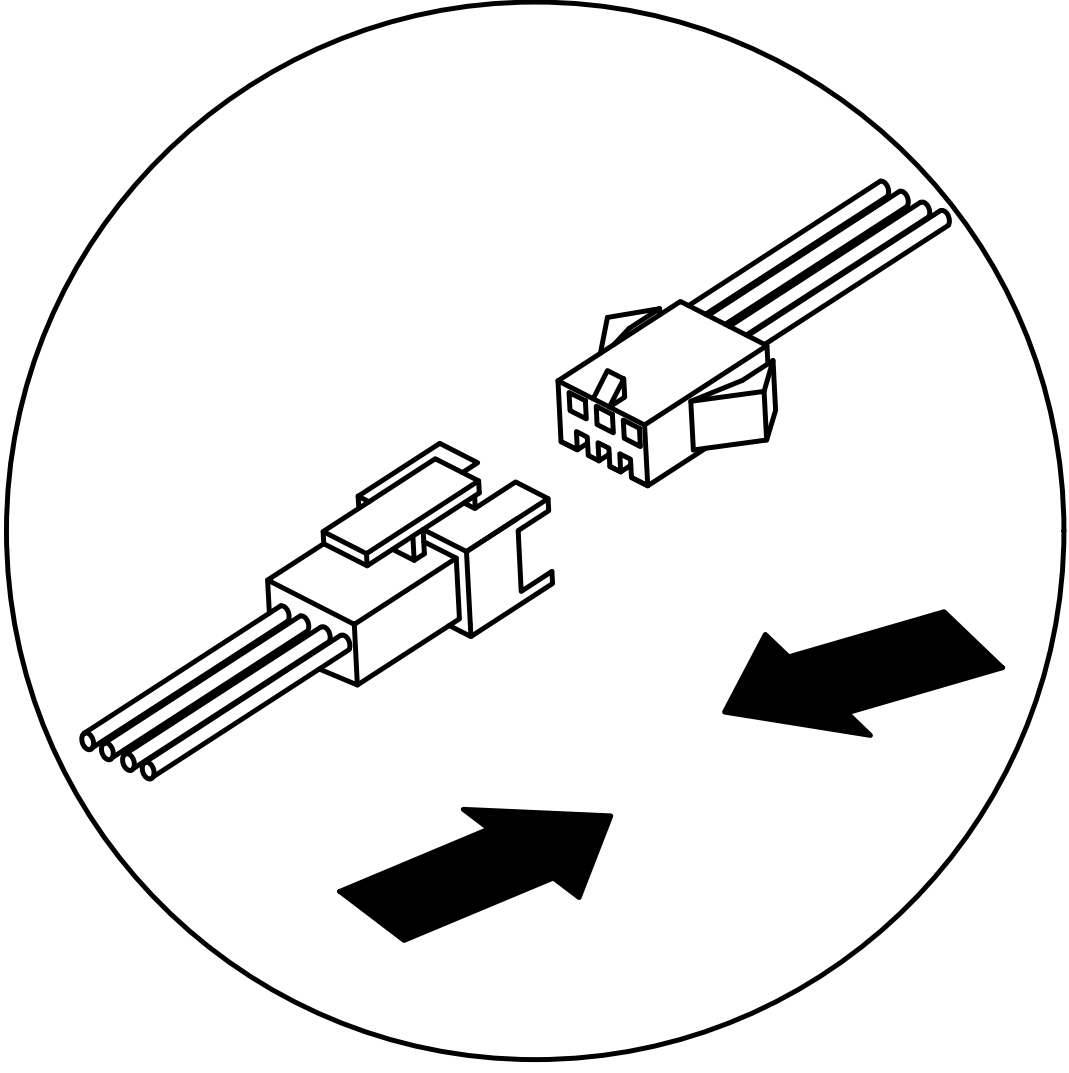
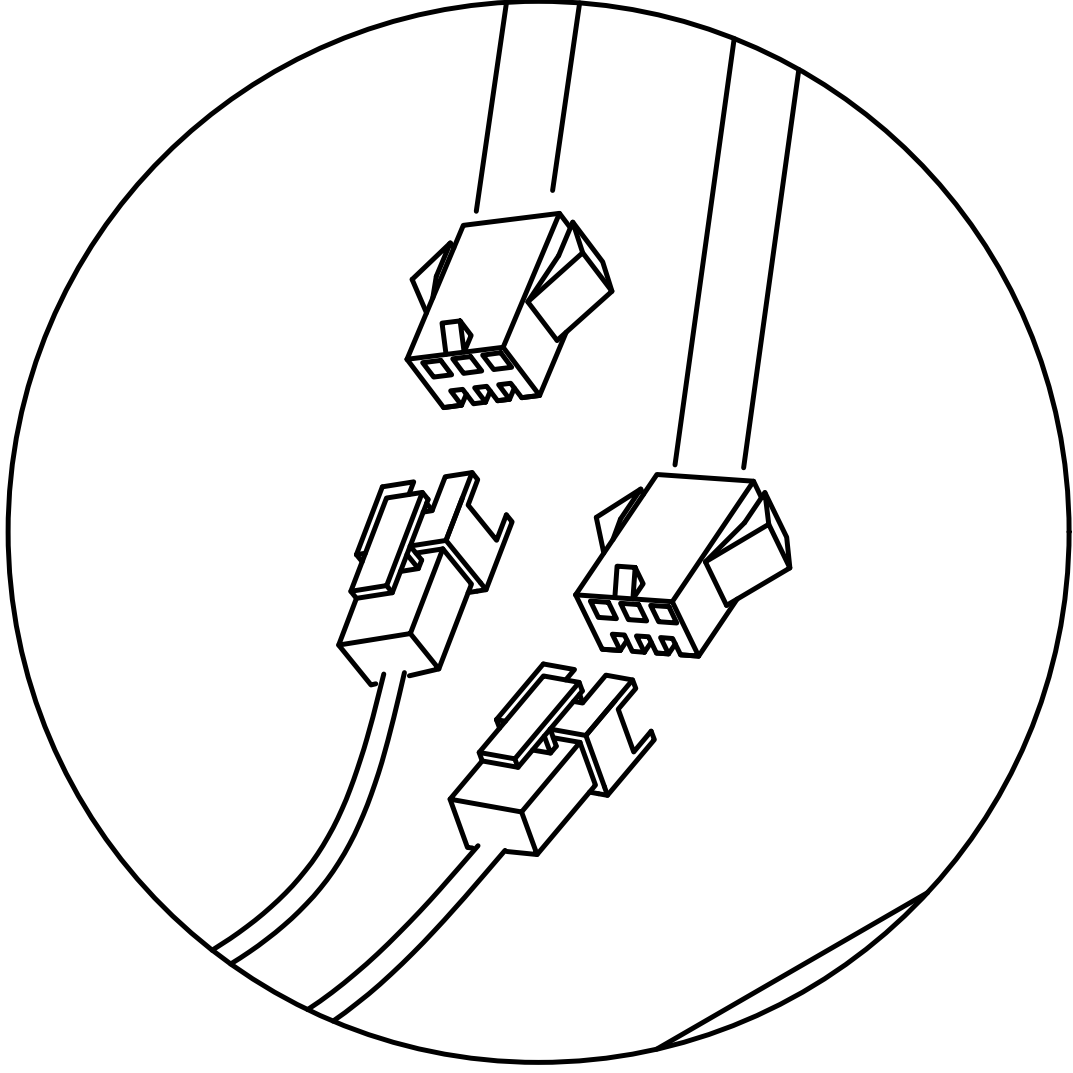
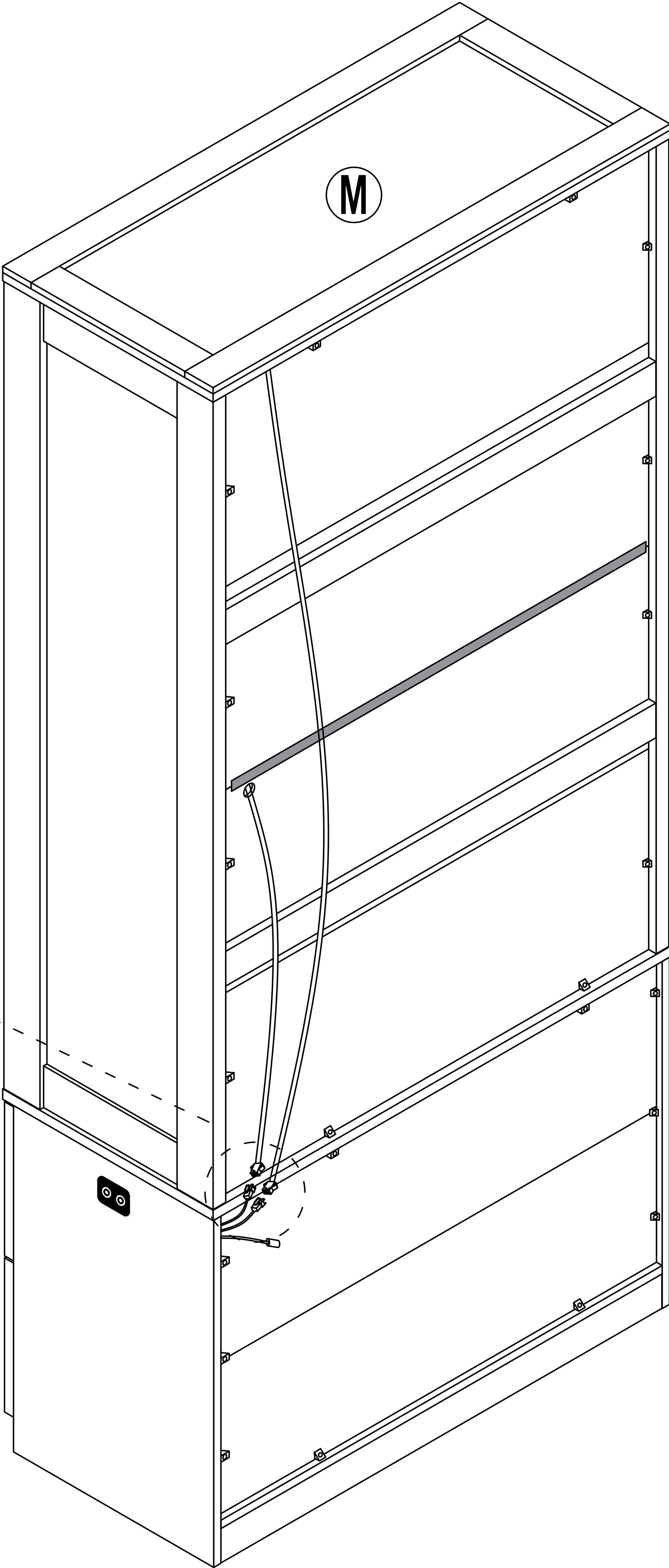


Step 33

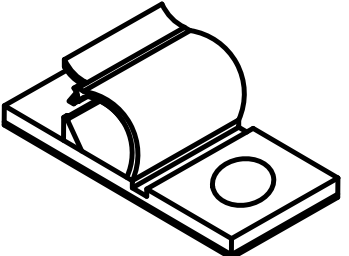
10  x22

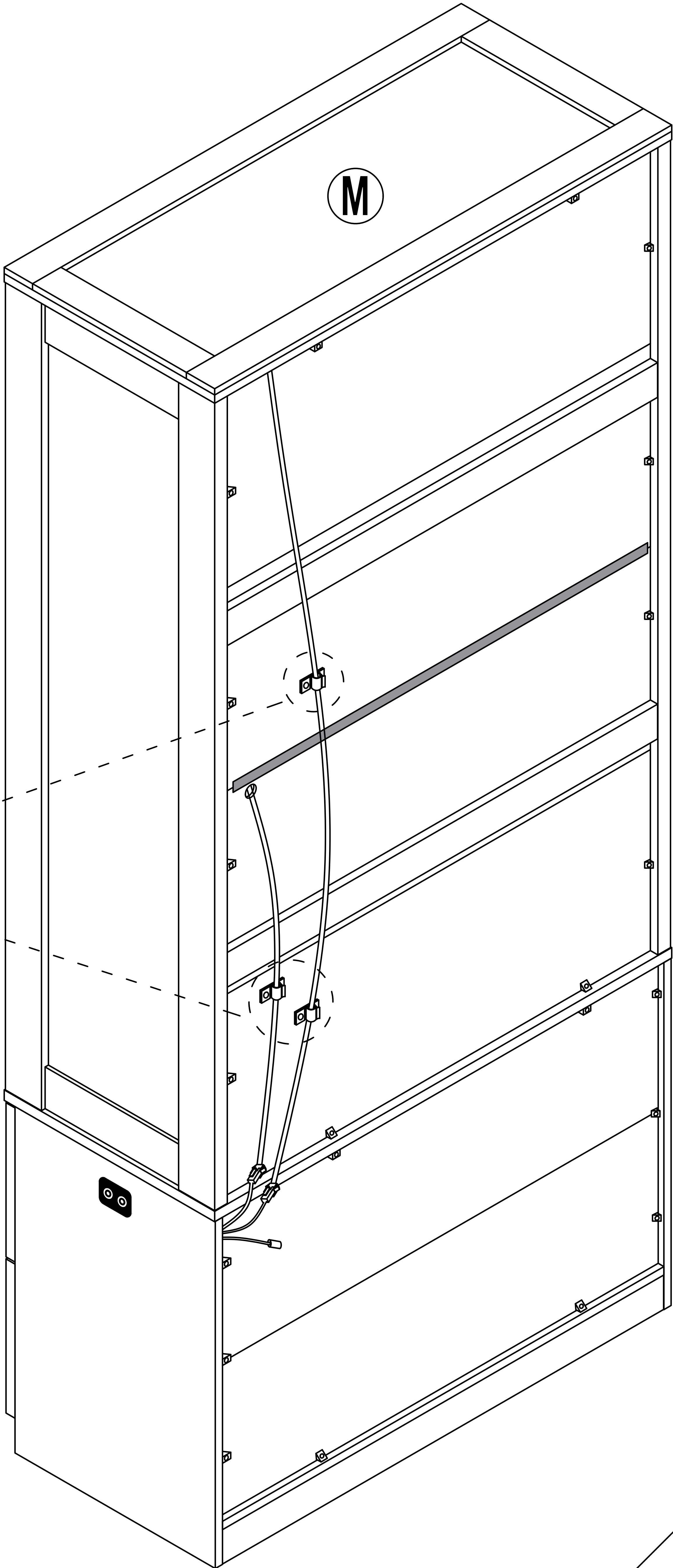
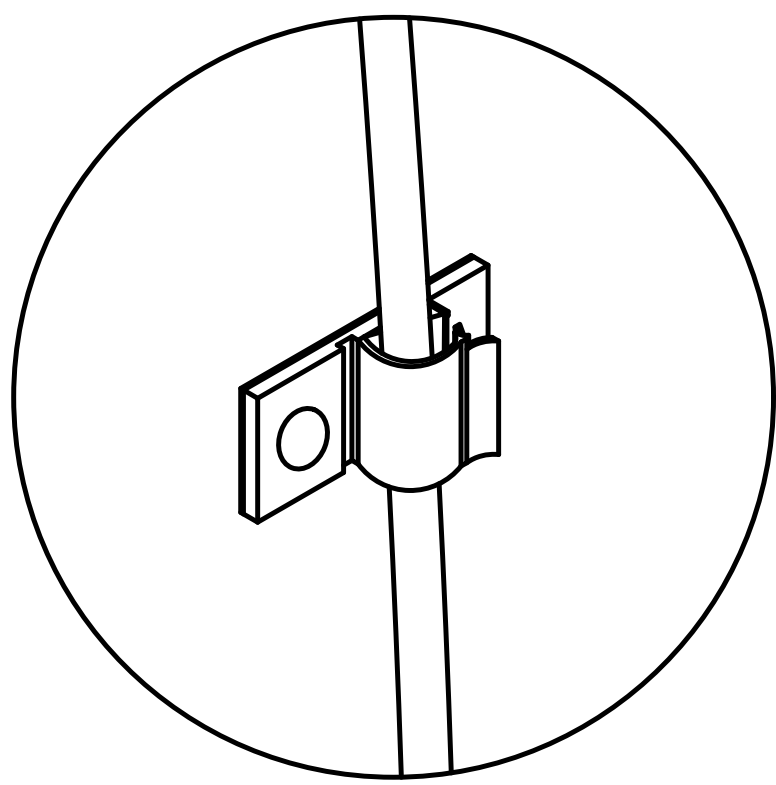


Step 34

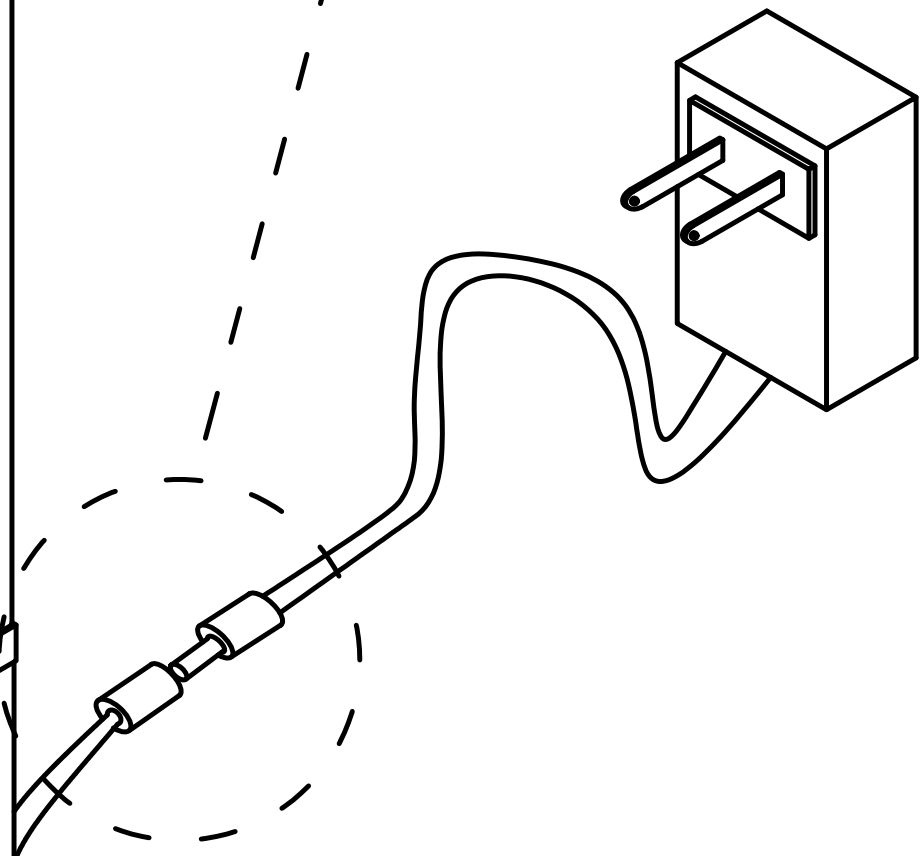
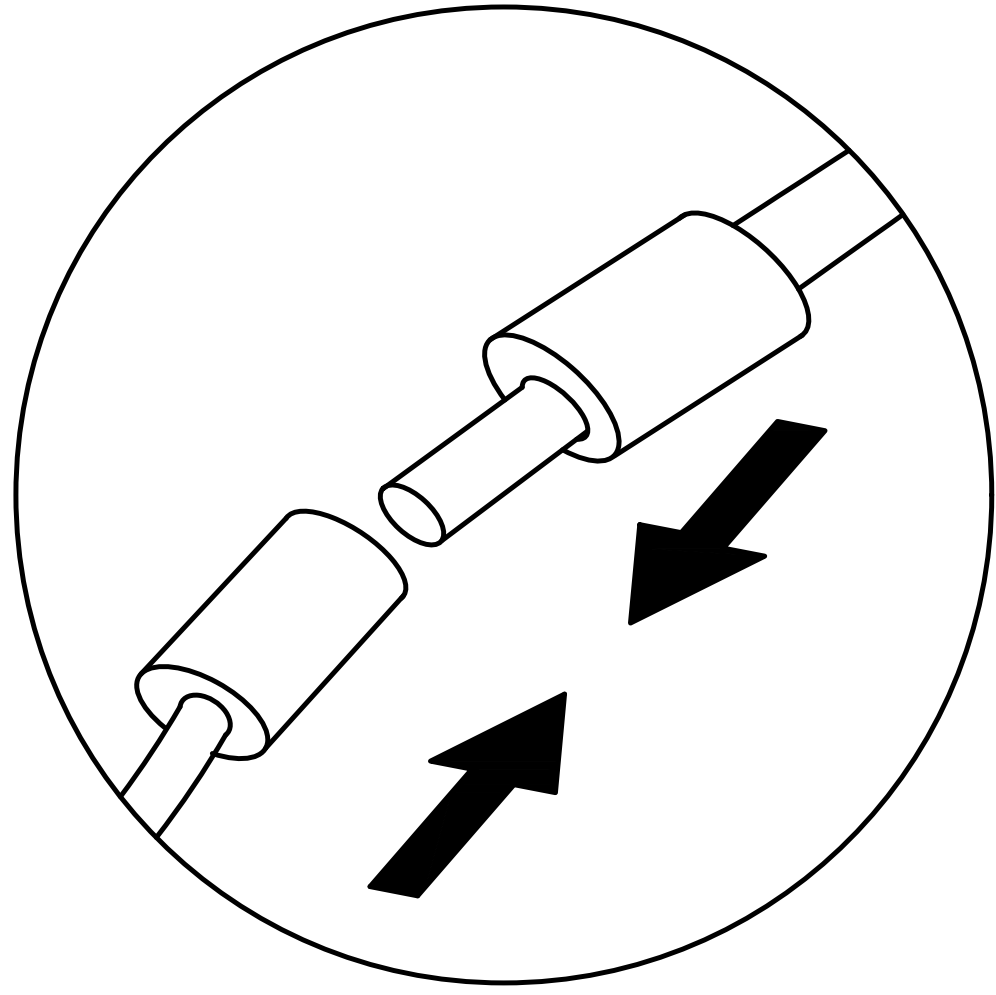
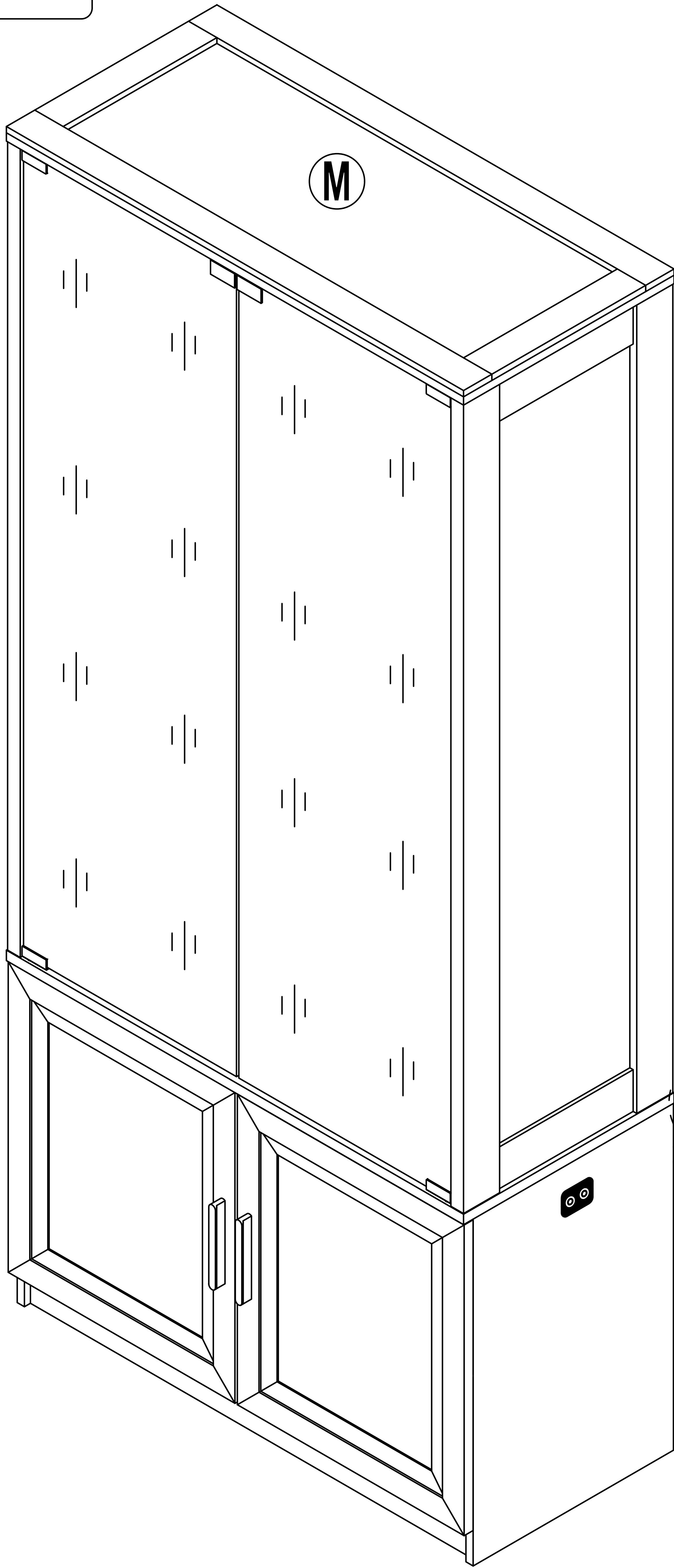
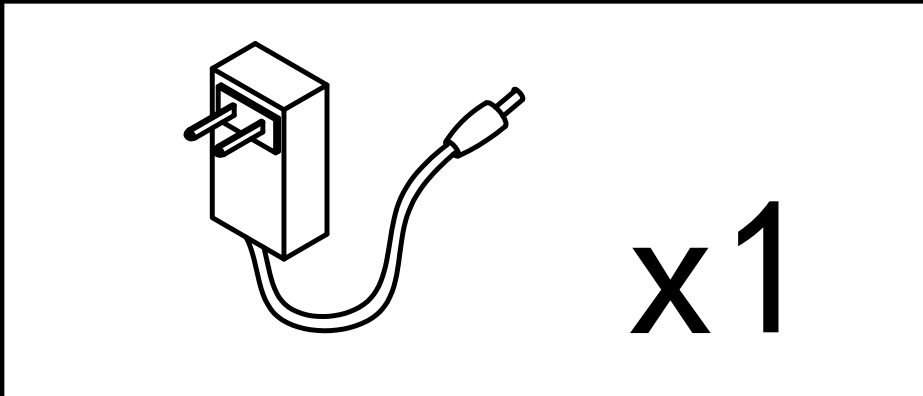


Step 35

11  x3

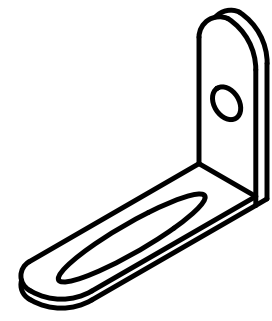
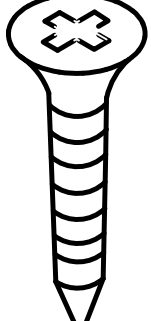
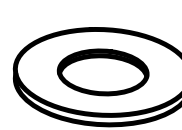


Step 36

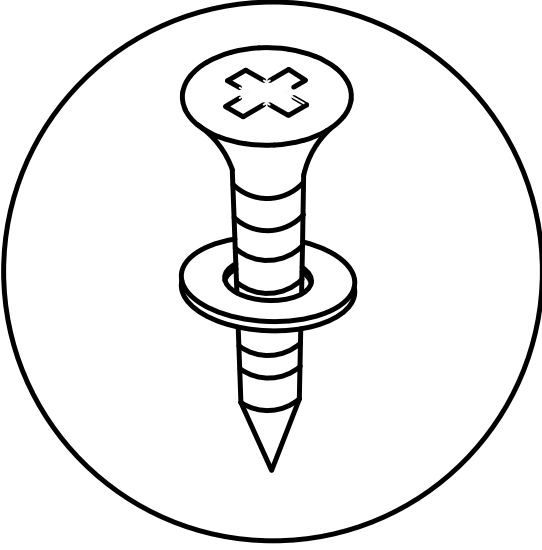


Step 37

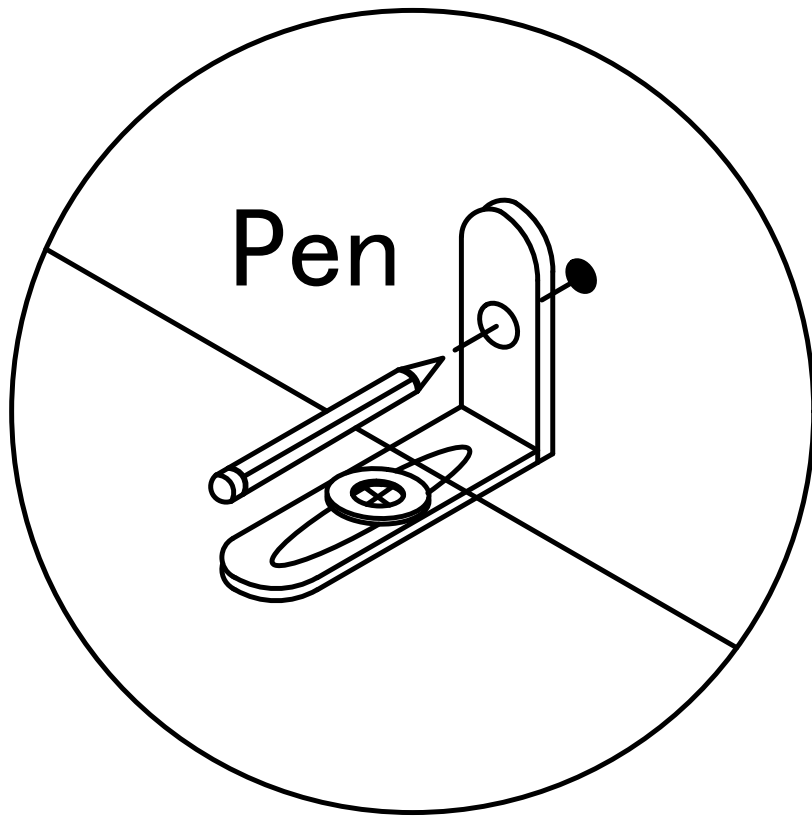
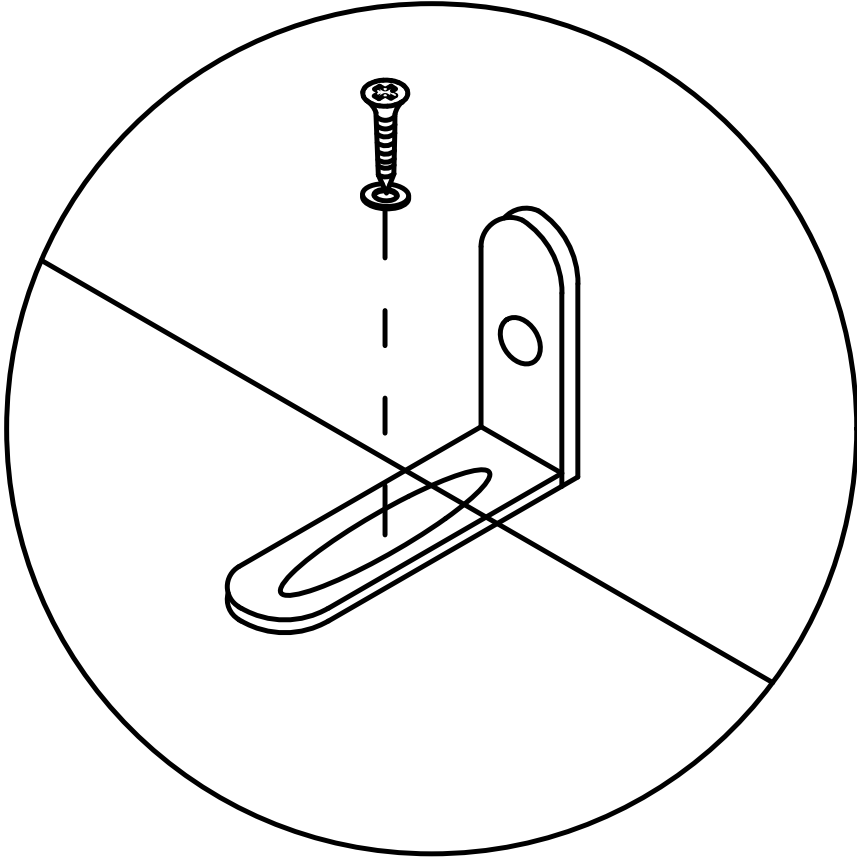
Install as required

12  x2  x2
 x2

3.5x14mm


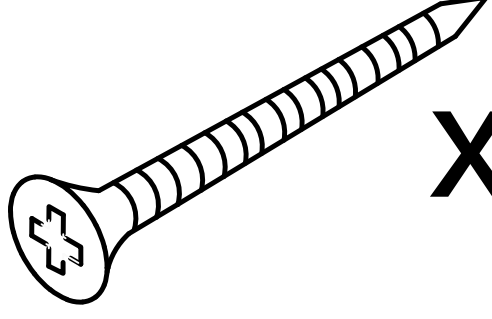
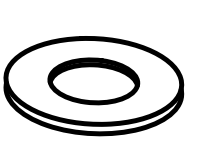


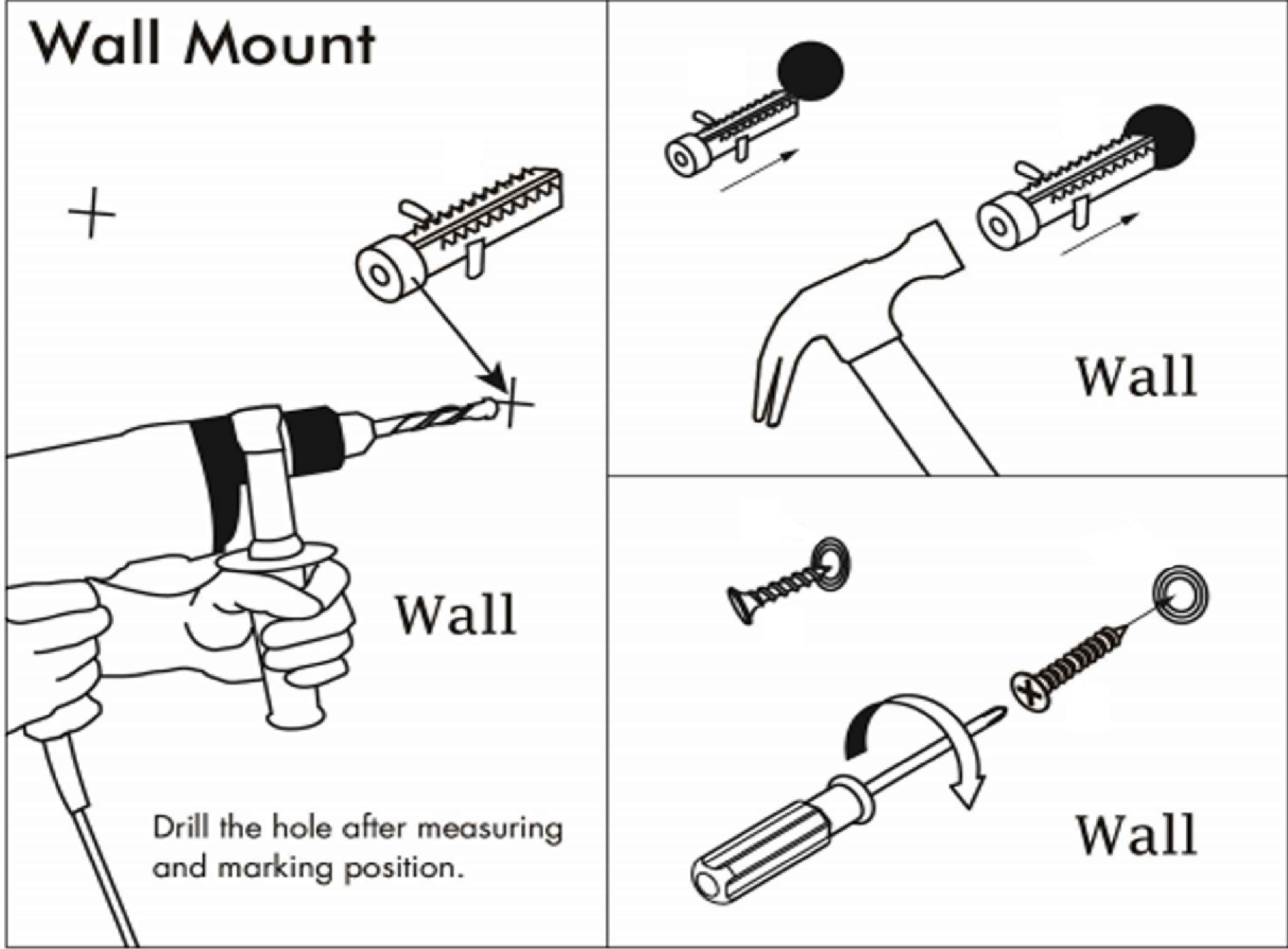
Install the anti fall hardware on the cabinet as shown in the picture first



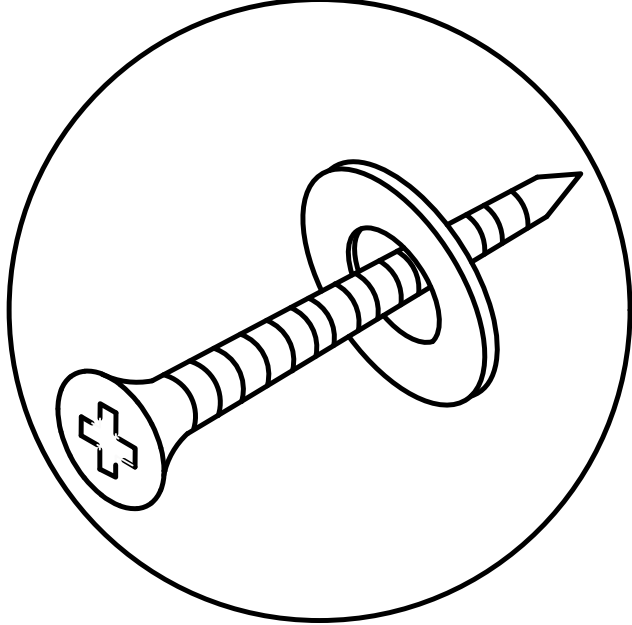
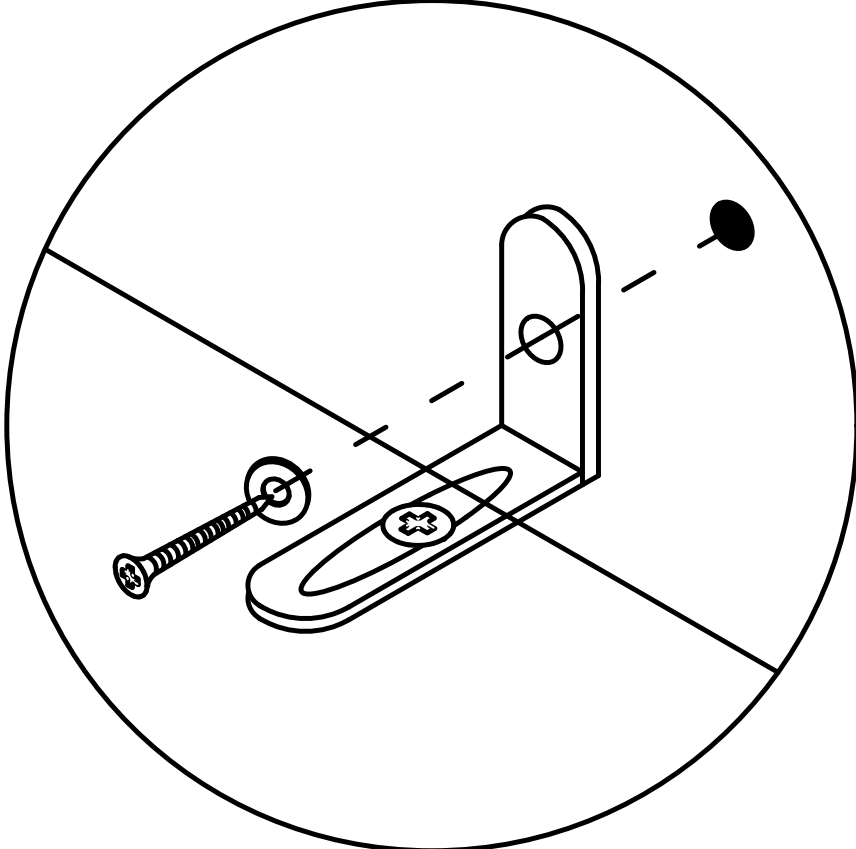
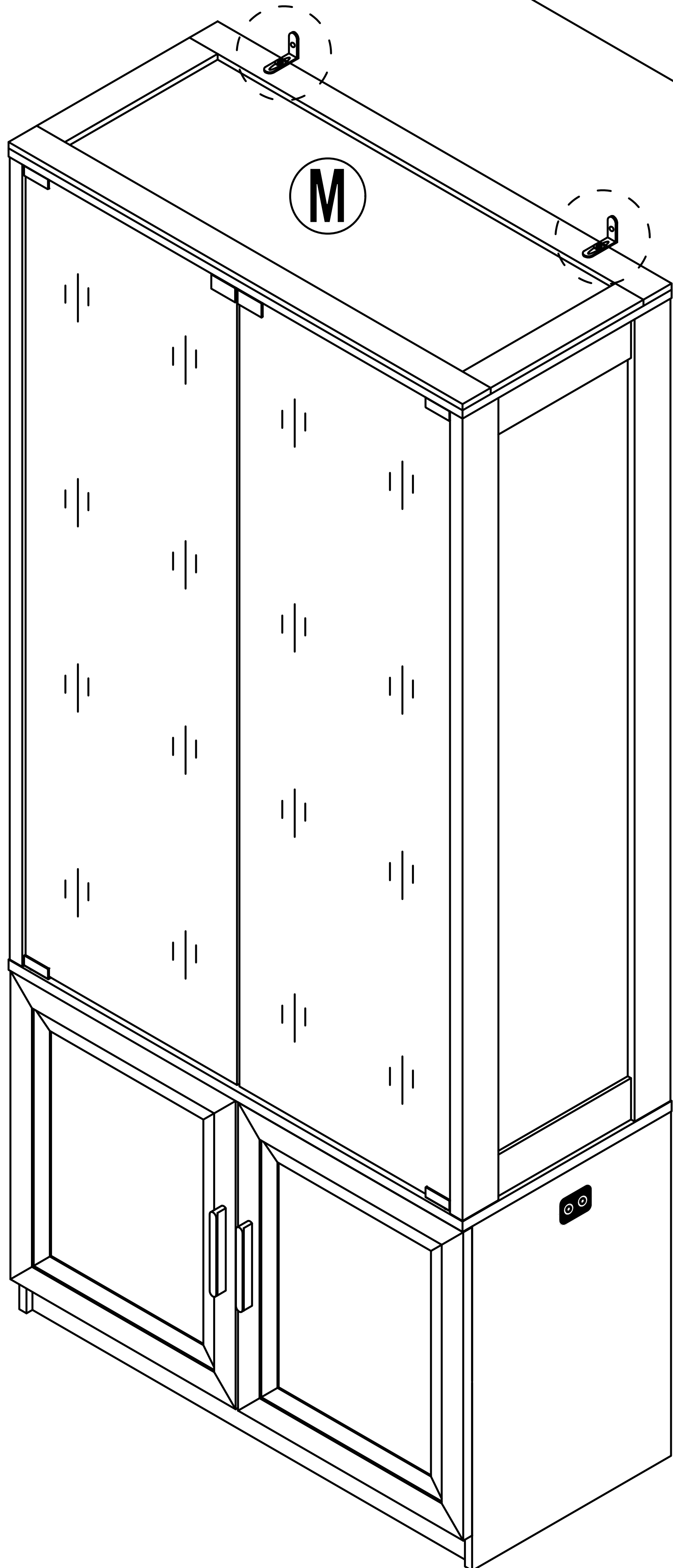
Then mark the wall with a pen through the holes in the anti-fall hardware

Step 38

- 12  x2
-  x2  x2



Drill the hole with an electric drill and punch in the colloidal particles



4x45mm

Fix the dressing table to the wall

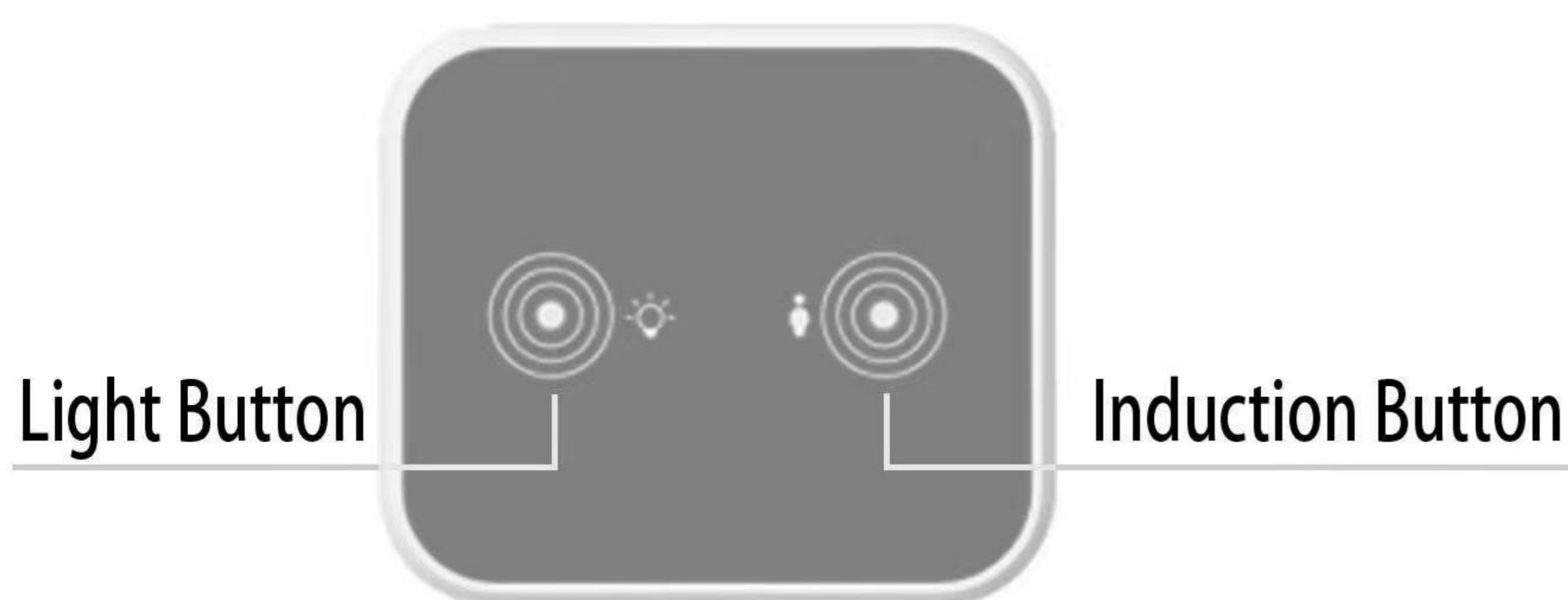
User's Guide

Thank you for purchasing this product. To use this product, please plug it into a 12V DC power supply. Please use if the product works normally after connecting to power.

Introduction

The box is an intelligent controller with 2 touch buttons. It can turn ON/OFF the light, change light colors, and adjust the light luminance.

Product Show



ATTENTION PLEASE

1. If there is no touch response suddenly, Re-plug the power to reset the touch static electricity.
2. If bubbles appear on the panel, remove the protective film.

Operation



This touch button is used to turn on/off, change colors, and adjust brightness.

A. Short touch -> lighting on -> short touch -> change light color -> short touch -> change light color -> short touch -> lighting off. B. Long touch -> adjust the luminance



This touch button is used to turn on/off the induction function.

A. Short touch to turn on the induction function. It can auto-turn on the light when people are close to the controller in 1 meters. It can auto power off the light when the body is far away from the controller after 30 seconds.

B. Long touch to turn off the induction function.

C. Note: When you touch the light button to change the light modes, the induction function will automatically turn off. It is best to turn on this function after selecting the light color and adjusting the brightness you want.