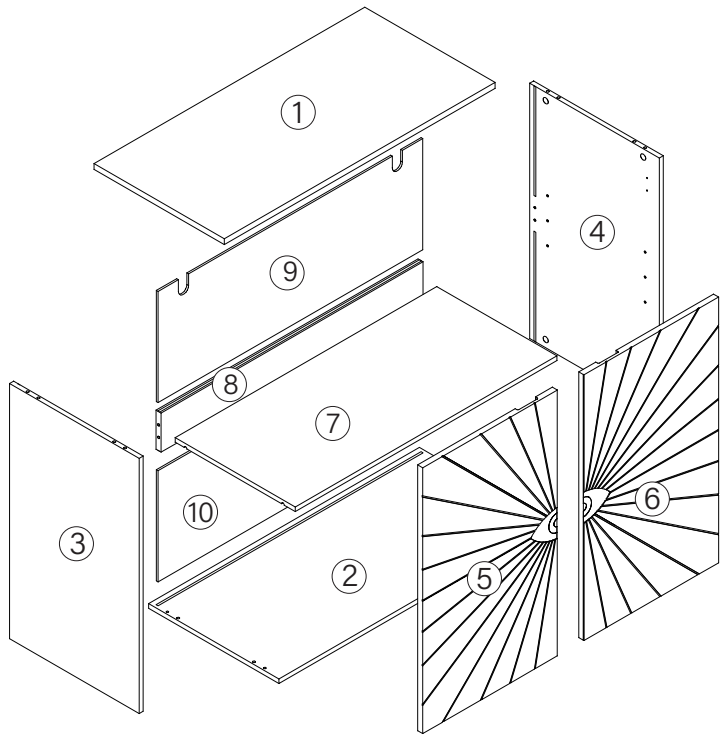


### **Before the Installation**

1. Do not throw away packing materials until assembly is complete for small parts may come loose inside the carton during shipment, If parts are missing, please contact us.
2. Assemble this item on a soft surface, such as carpet to protect the finish.
3. Proper assembly of this item requires 2 people.
4. Do not fully tighten the screws during initial assembly. Fully tighten screws only once all pieces which are correctly assembled.
5. If you encounter any problems during installation, refer to two solutions: Follow the installation product page or contact our customer service.
6. A Philips head screwdriver and hammer is required for the assembly of this product.
7. Power tools should not be used to assemble this product.

### **Care and Cleaning**

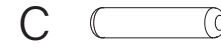
1. Move your product carefully, with 2 people lifting it to the preferred location .
2. To protect the finish, avoid use chemicals and household cleaners.
3. All hot serving dishes should be placed on a pad.
4. Any liquid spilled onto the top should be cleaned up immediately with a dry cloth.



x12



x12



6x30

x8



3.5x12

x48



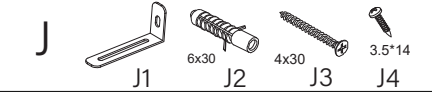
x4



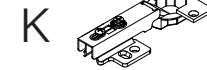
x4



x8

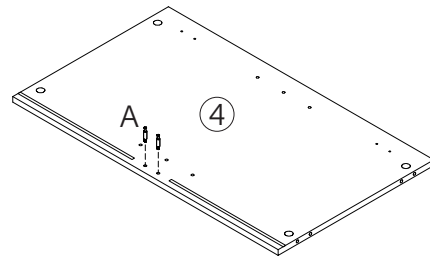
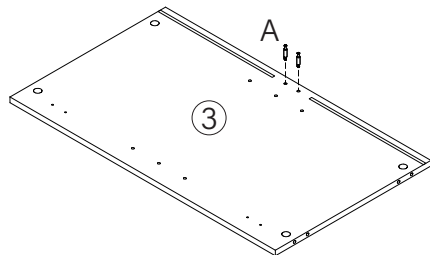
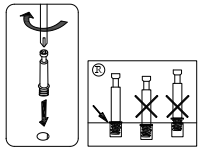


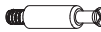
x2



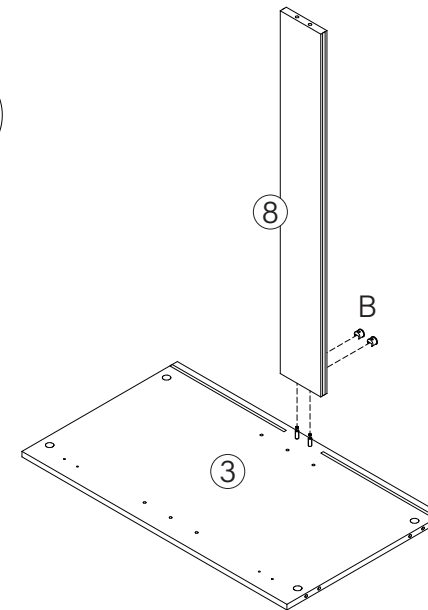
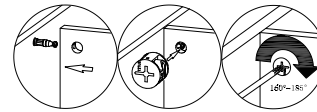
x4

### STEP 1:



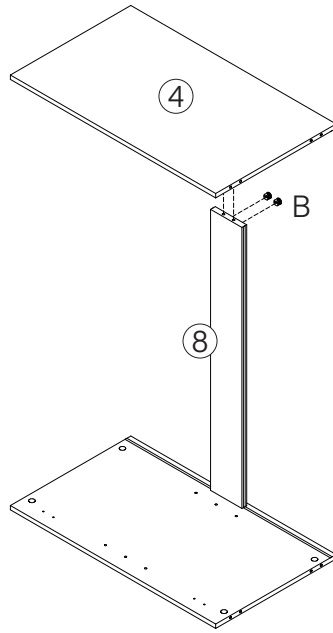
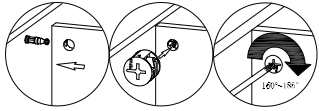
A  x4

### STEP 2:



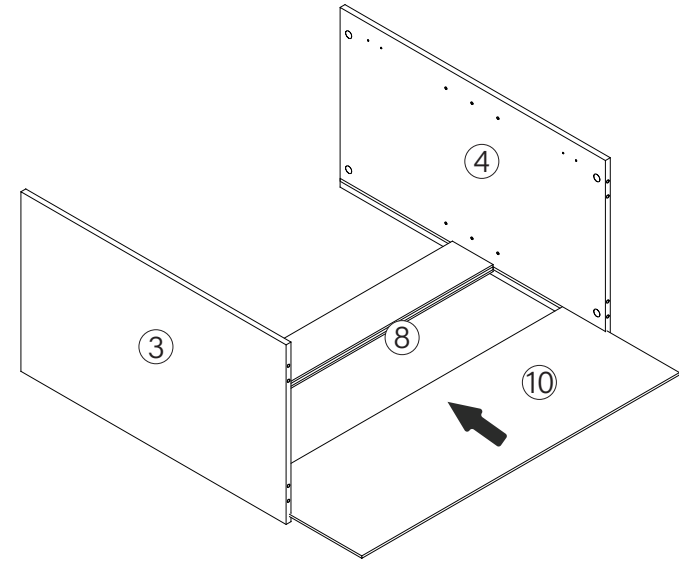
B  x2

### STEP 3:

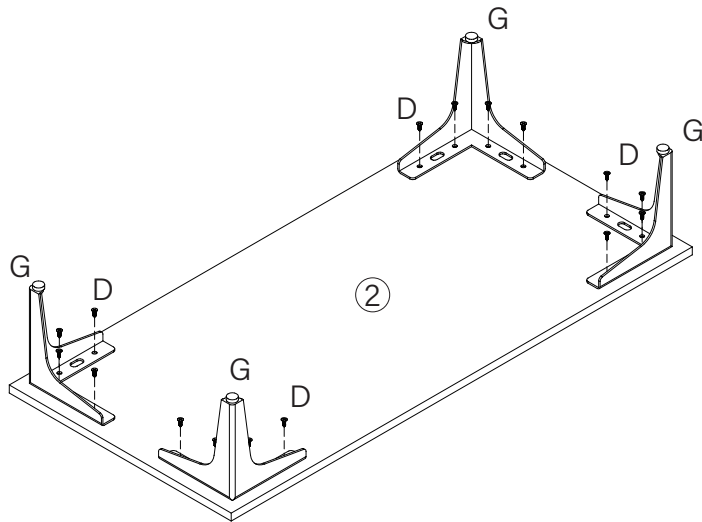




B  x2

### STEP 4:

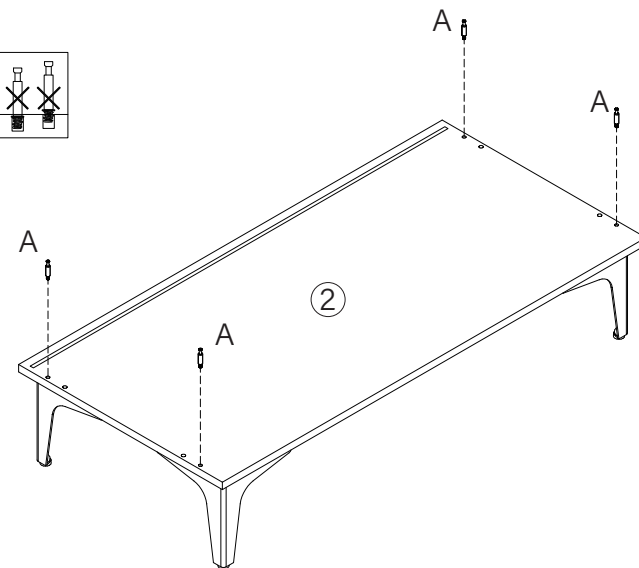
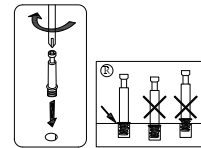


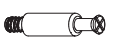
### STEP 5:



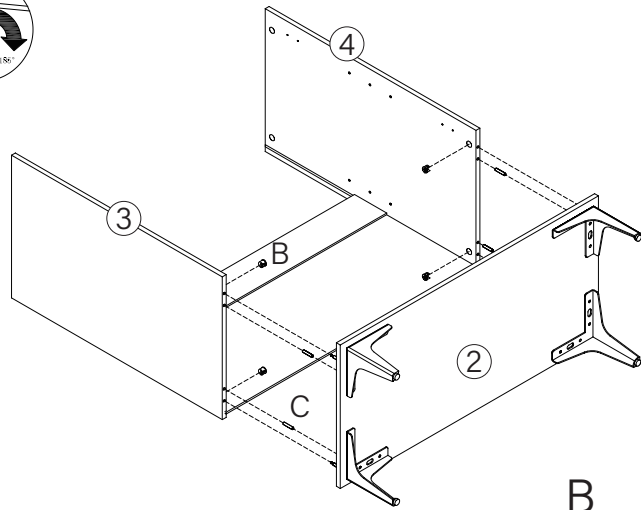
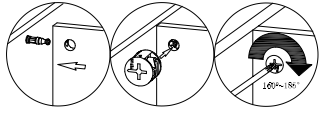
D  x16  
G  x4



### STEP 6:



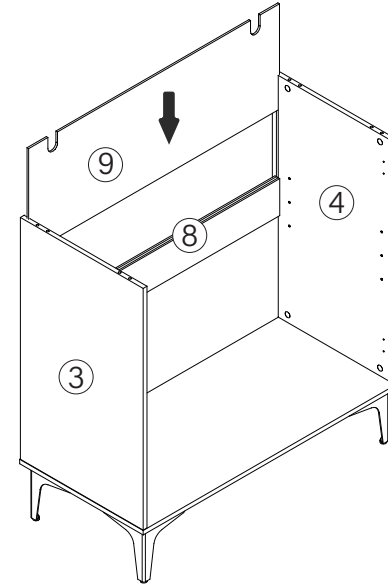
A  x4

### STEP 7:

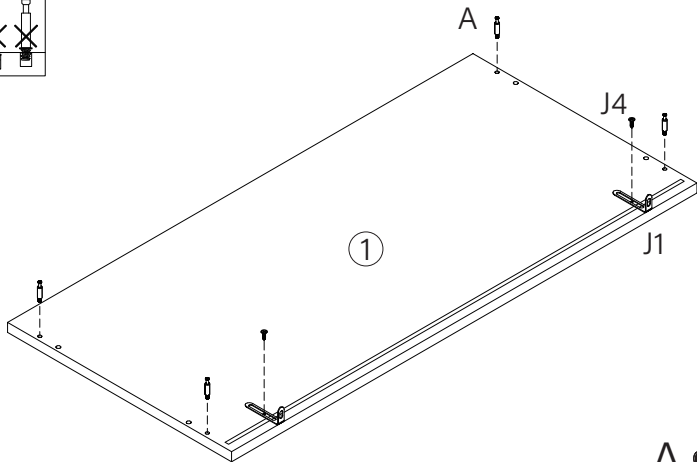
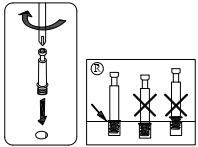





B  x4  
C  x4

### STEP 8:

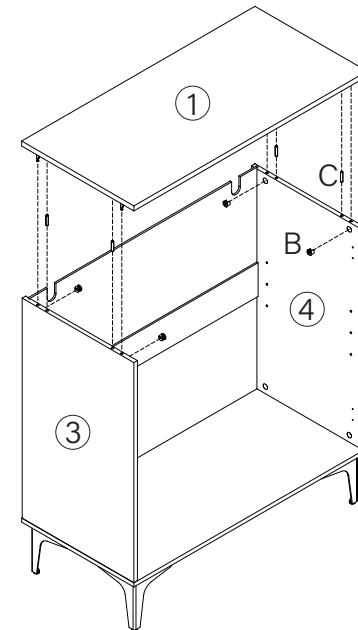
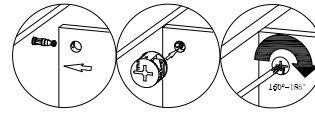




### STEP 9:



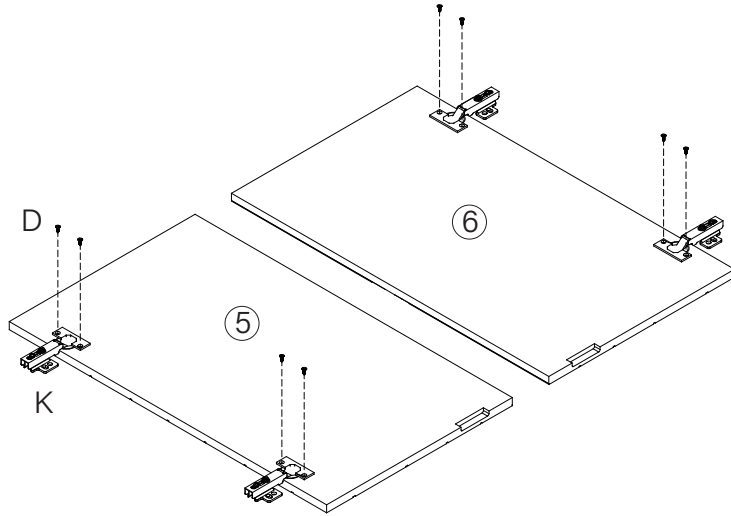
A  x4  
J1  x2  
J4  x2  
3.5\*14



### STEP 10:



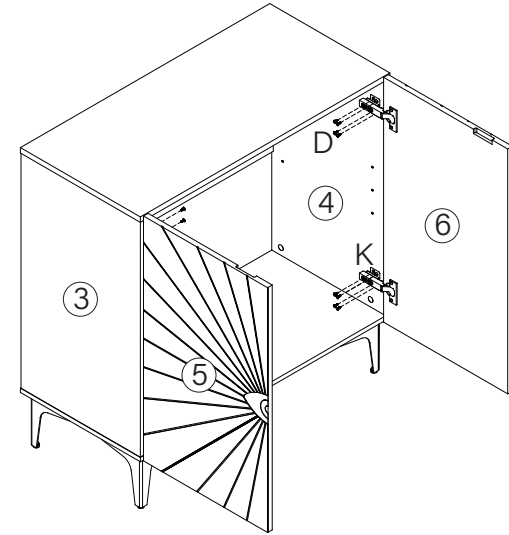
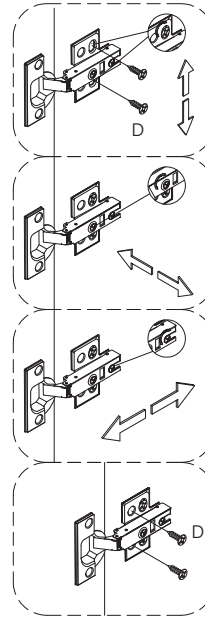
B  x4  
C  x4

### STEP 11:



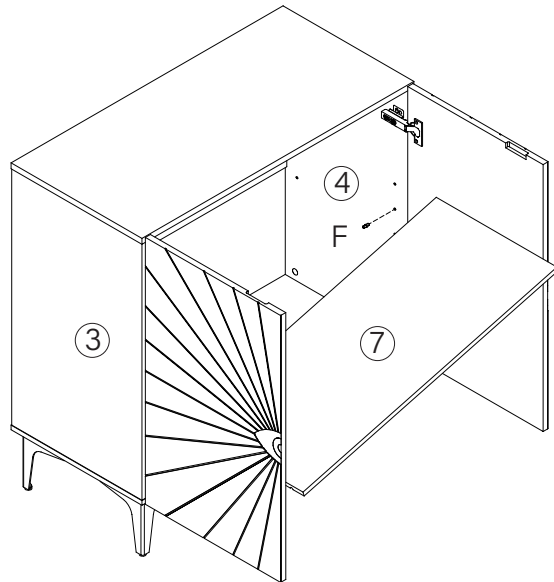
D  x8  
K  x4


### STEP 12:



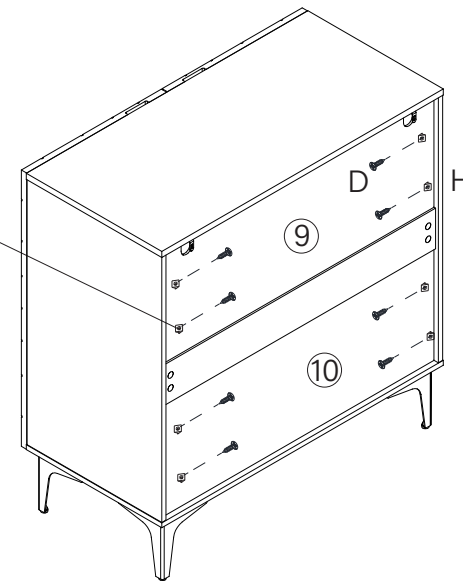
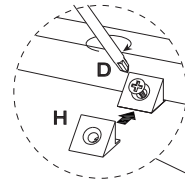
D  x16


### STEP 13:



F  x4

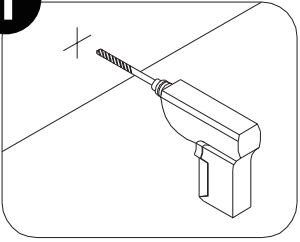
### STEP 14:



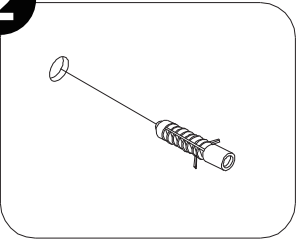
D  x8  
H  x8

# STEP 15:

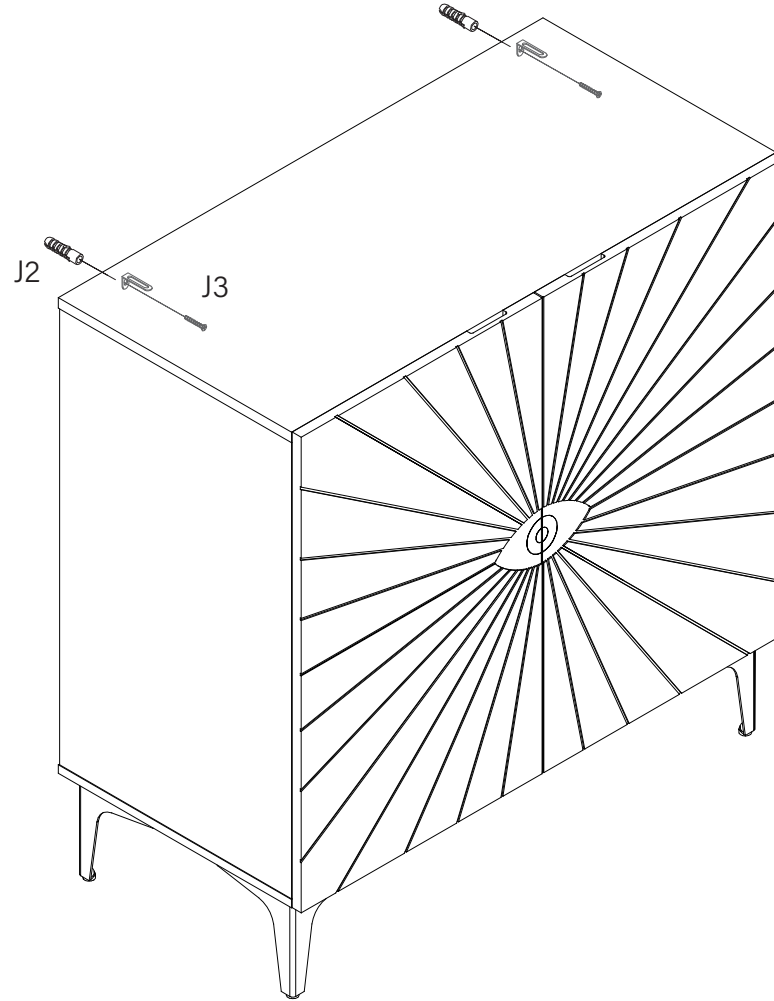
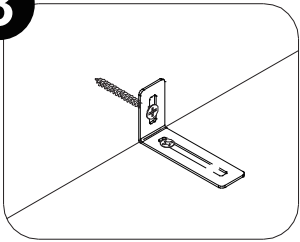
1



2



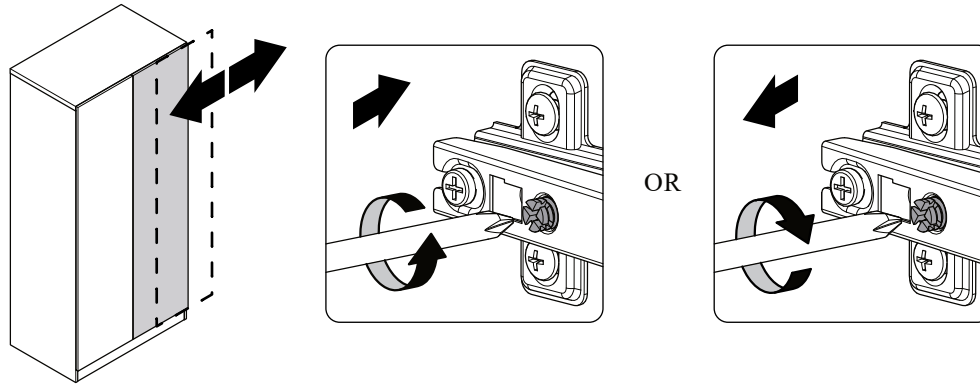
3



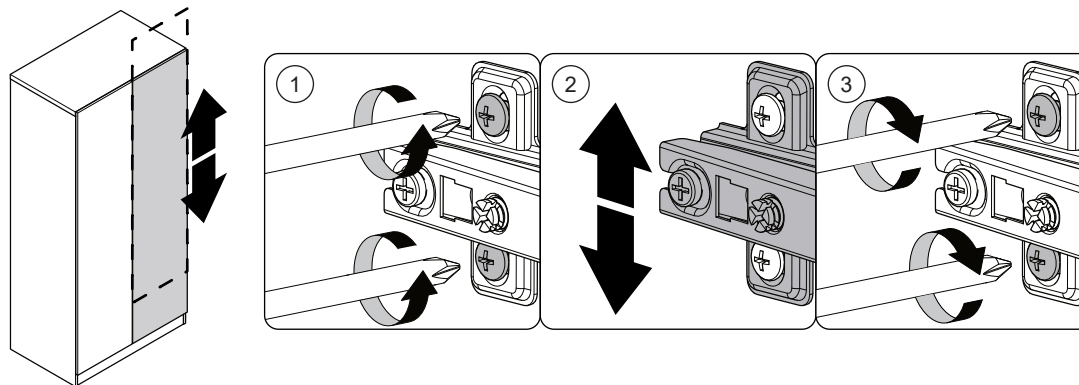
- |    |                                                                                       |    |
|----|---------------------------------------------------------------------------------------|----|
| J2 |  | x2 |
| J3 |  | x2 |

## SPECIAL TIPS FOR DOOR ALIGNMENT

A. Lateral adjustment (Moving door left-right) by screw adjusting



B. Vertical adjustment (Moving door up-down) via the slot on the mounting plate



C. Front-to-back adjustment (Spacing Door Off Cabinet) by slacking the hinge arm mounting screw

