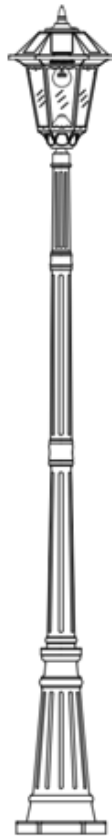


SOLAR LAMP POST
US Patent # 7172307
US Patent # 9458970
Instruction Manual



Introduction

Thank you for your purchase! Our solar charged accent lighting eliminates the problems associated with most solar lighting available today. Our solar charged lights are brighter and last all night with a typical solar charge. Unique design, superior light output and numerous installation options confirm the outstanding value of our product.

The company also offers unique multi-purpose rechargeable products that range from party lights to emergency lighting products.

Please read the instruction manual carefully to obtain the best results from your purchase.

WARNING: These Light bulbs are built and designed for our products only. They are not designed to be used in other electrical sockets. For the same reason, regular AC and/or Low Voltage bulbs cannot be used in our products.

NOTE: If you are replacing an existing gas/electric post light, you must consult a certified technician to cancel them before installation.

1. Solar Lamp Location

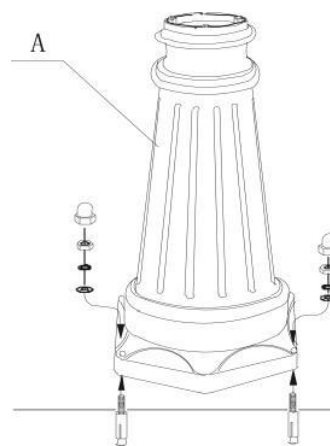
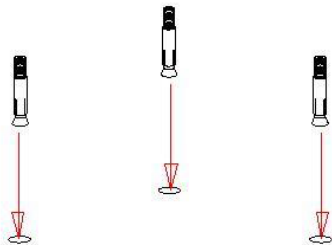
For optimum light duration throughout the night, it is very important to mount your solar lamp post in a spot where it will receive the maximum amount of direct sunlight throughout the day. The solar light must be charged in full sun for two days in the "ON" position for the best results.

NOTE: The following steps are for reference only. Consult your local hardware store for the best installation method for your chosen surface.

2. Installation Instructions (Using Included Hardware)

1. Mark three holes using the template and drill the holes using a 0.5-inch drill bit, into a solid surface no smaller than the anchor bolts. The holes shall be lined up with the holes of the lamp base.
2. Put the anchor bolts into the drilled holes with their threaded ends facing up **(Fig. 1)**.
3. Place the lamp base onto the anchor bolts and secure base with the provided nuts using a wrench **(Fig. 2)**.
4. Make sure the lamp base is stable before proceeding with installation.

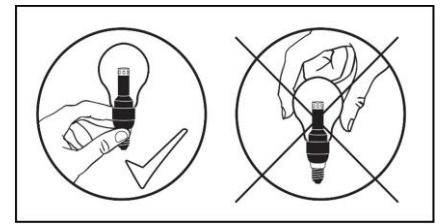
(Fig. 1)



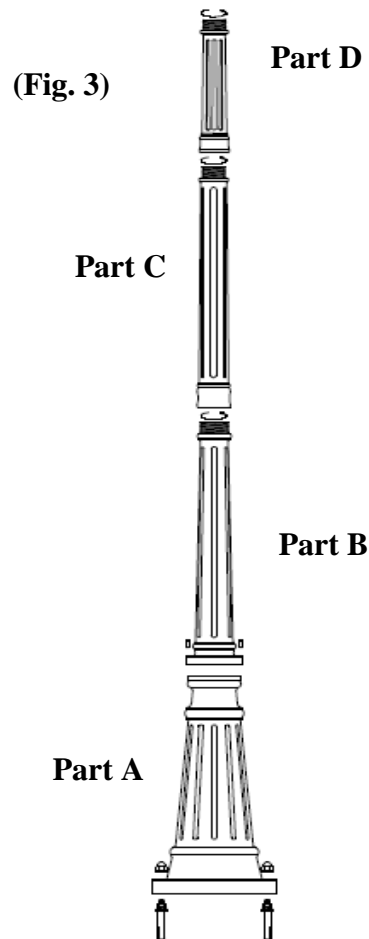
(Fig. 2)

5. Place **Part (B)** over **Part (A)** and using a wrench or screwdriver, tighten provided bolts **(Fig. 3)**.

6. Assemble **Part (B)**, **Part (C)**, and **Part (D)** in order and twist clockwise until parts are secured together (**Fig. 3**).
7. Screw lamp finial into the top of the lamp.
8. Screw in provided A-60 bulb while gripping the base only see (**Fig. 4**); re-attach fixture top.
9. Attach the lamp to the pole by twisting the mount clockwise to **Part (D)**.



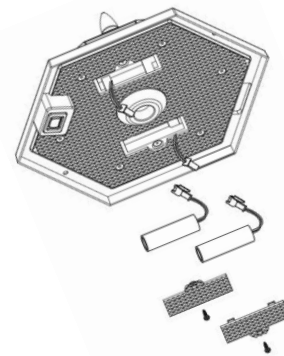
(Fig. 4)

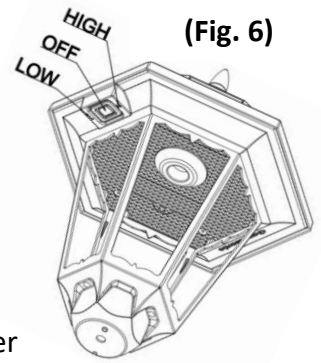


(Fig. 5)

3. Operation Instructions

1. Turn the external operation switch to Low or High position (**Fig.5**) according your preferences:
 - a. For softer light and longer duration.
 - b. For brighter light output.
2. The solar lamp will automatically operate at dusk.





3. Replacing the Batteries

(After several years of use, the batteries may need replacing).

1. Make sure the ON/OFF switch is in the “OFF” position.
2. Unscrew the two screws on the upper part to detach it from the lamp **(Fig. 6)**.
3. Unscrew the battery compartment’s screws located on the silver reflector and remove the compartment doors.
4. Unclip the battery connectors and remove the old batteries. Make sure the new batteries are high quality – Li-Ion Battery packs (3.2 Volt / 1500 mAh) with matching connector.
5. Install the new batteries into the battery compartments.
6. Reassemble the unit by reversing the above procedure.

Maintenance

Clean the solar panels regularly with a damp towel to guarantee optimum performance. Do not use any type of solvent for cleaning and be careful not to put too much pressure on the solar panels while cleaning.

Trouble Shooting

If your solar charged light does not come on at dusk despite observance of all the instructions, please try the following steps:

1. Make sure that the solar lamp post is not being affected by any other light source.
2. Ensure the solar lamp post is not positioned in the shade during the day.
3. Make sure the switch on the lamp head is in either the Low or High position.
4. Check that the batteries are installed correctly.

NOTE: The performance of the solar lamp post will vary with the time of year. It will deliver more light when it has had a full day in the sun rather than a day in overcast weather.

WINTERTIME TIPS: For optimal performance, be sure to remove any snow or debris accumulation from solar panel(s). A solar panel free of debris will charge the batteries much more efficiently.

WARNING: Please keep out of reach of children. Do not dispose of Li-Ion battery in the regular trash, municipal waste stream or by fire as batteries may leak or explode. Do not open, short circuit, or mutilate batteries as injury may occur. Preserve our environment by recycling Li-Ion batteries or disposing of them in accordance with local, State and federal regulations. Do not mix old and new batteries.

