

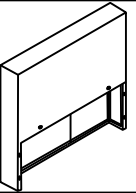
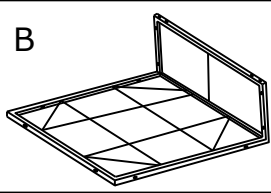
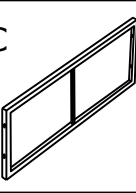
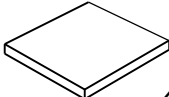
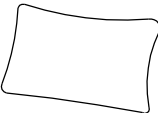




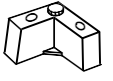




Rattan Sofa Instruction

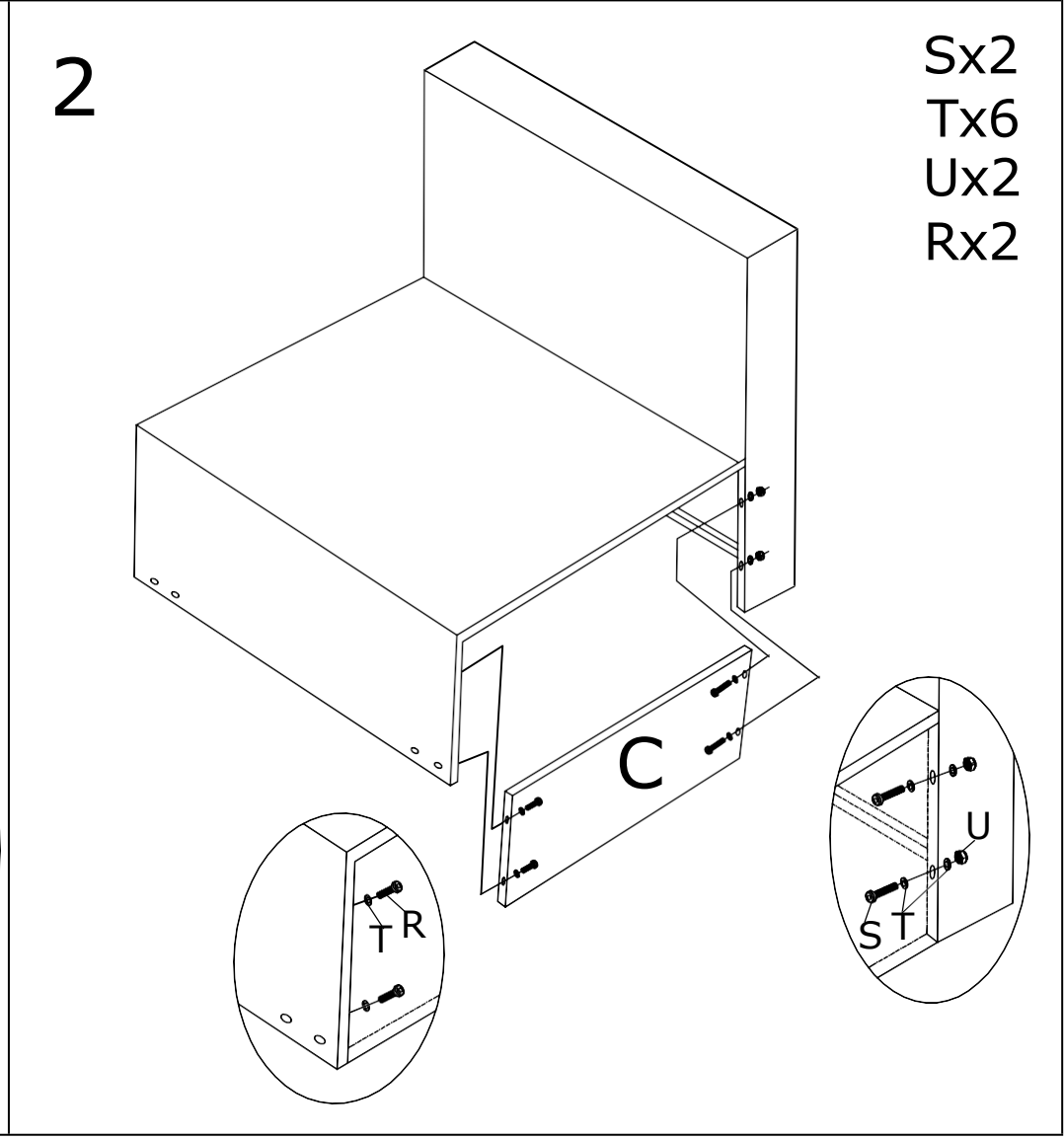
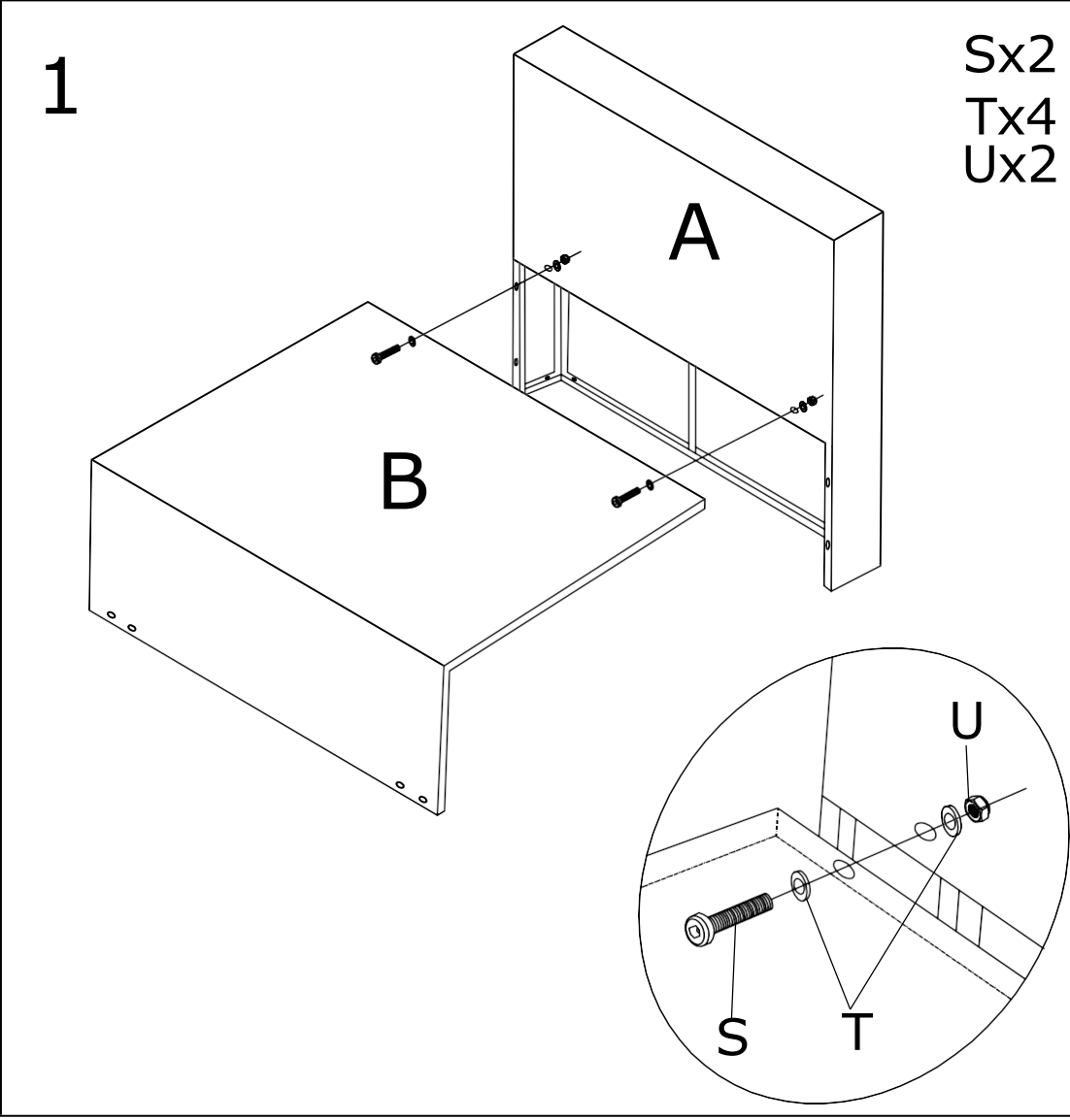


NOTE:

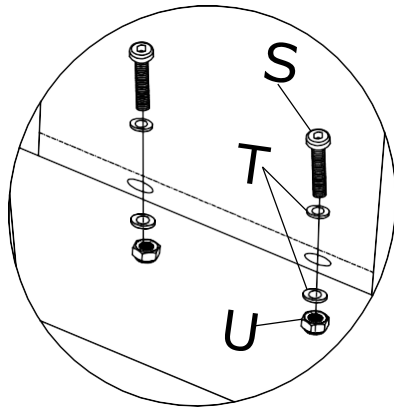
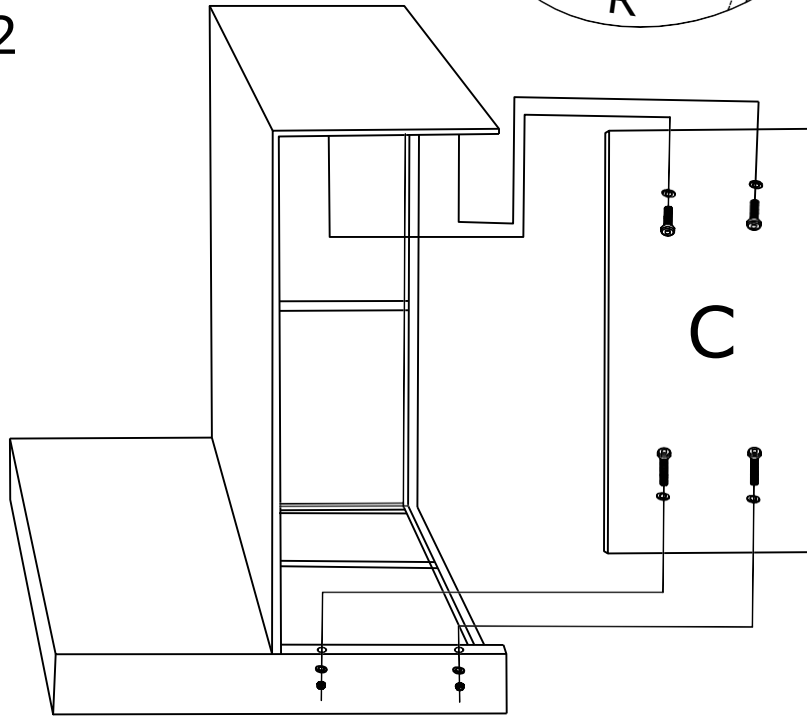
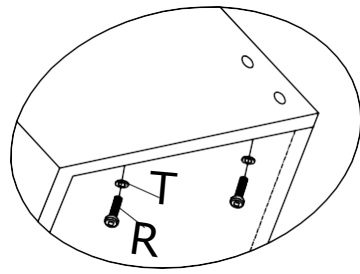
[Most important !!!] See the video first! It will save you one hour.

1. Please DO NOT fix screws tightly before all screws and holes connected.
2. Keeping all screws half-tightened will make assembling easier .
3. Please email us with pictures if you need any help during assembling.
4. Don't expose the cushions in the sun for a long period of time and cover the set or put cushions indoor when there is rain or snow expected for long periods of time.
5. Please don't discard packing boxes before all cushion chairs are assembled without first making sure there are no issues with assembly or parts. We will ask for the SKU# on boxes if there are any issues reported so please keep that information and have it available. Thank you!
6. This products will come from TWO BOXES.
If you got one of them. Don't worry. The others are on the way. Or Email us.

A  4	B  4	C  8	D  4	E  4	R  M6x35 16	S  M6x45 56	T  96	U  56
P  8	Q  8	V  1	W  1	X  6				



Sx2
Tx6
Ux2
Rx2



3

4

Sx8
Tx8
Ux8

Qx2
Px2

