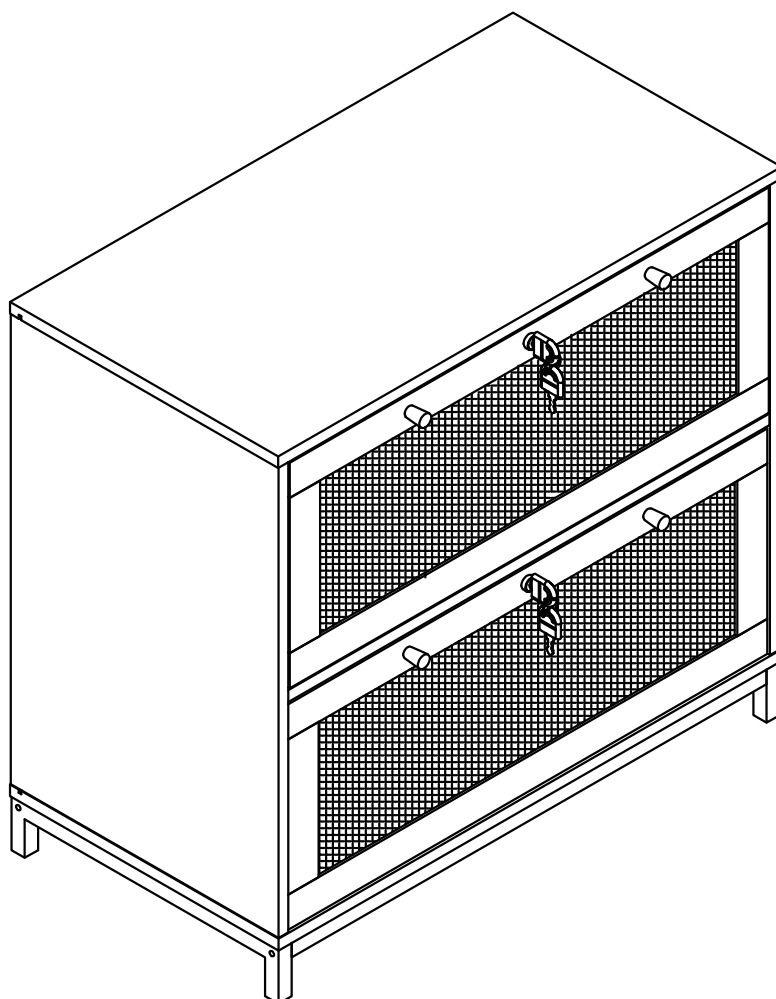


# Assembly Instruction



# BEFORE STARTING

## Before Using Product



- Read each step carefully before starting. It is very important that each step is performed in the correct order. If these steps are not followed in sequence, assembly difficulties will occur.



- Make sure all parts are included. Most board parts are labeled or stamped on the raw edge.

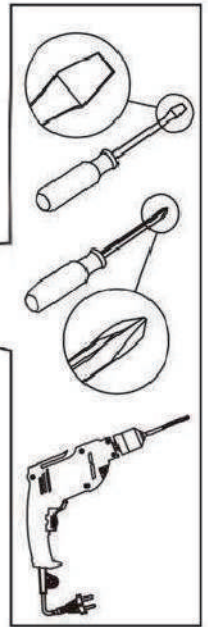
- Prepare a flat and Philips screwdriver (not included)  
A Power Screwdriver is recommended.



- Work in a spacious area and near where the unit will be used, preferably on a carpet, or use a piece of the cardboard packaging to protect your floor and product.



- For a smooth assembly process, we suggest you keep a lite tightness for all the screws during assembly. After the whole product is assembled, firmly tighten all the screws.



Estimated Time for Assembly

**1-1.5 hours**



Estimated People for Assembly

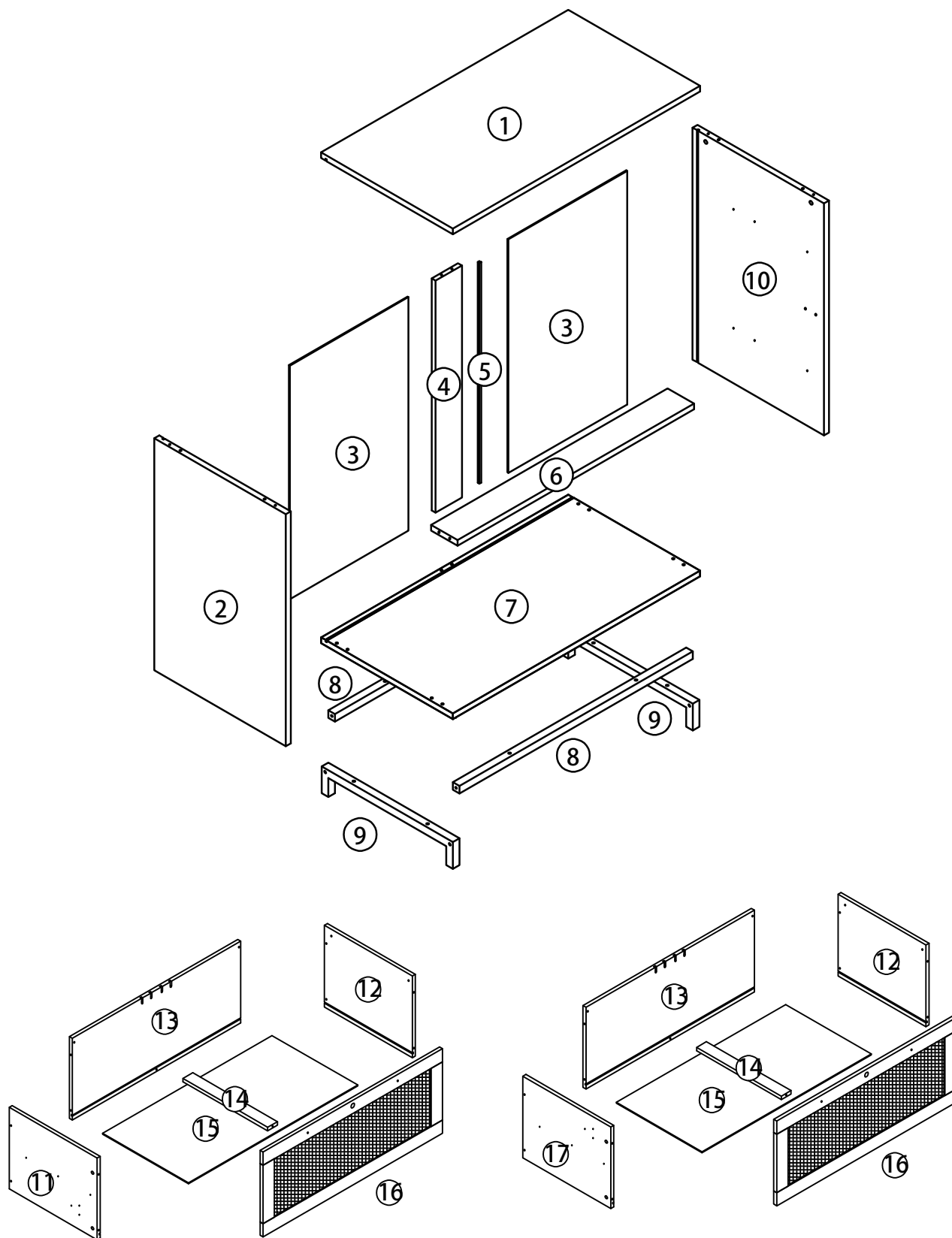
**2**

## **!** WARNING:

- Do not allow children to climb on unit
- Serious or fatal crushing injuries can occur from furniture tip-over. To prevent this furniture from tipping over, it must be permanently fixed to the wall. Fixing devices for the wall are not included since different wall materials require different types of fixing devices. Use fixing devices suitable for the walls in your home. For advice on suitable fixing systems, contact your local specialized dealer
- Avoid sharp objects or corrosive chemicals to prevent damage to the product
- During assembly, keep parts and packaging materials away from children and pets as there could be potential injury and choking hazards

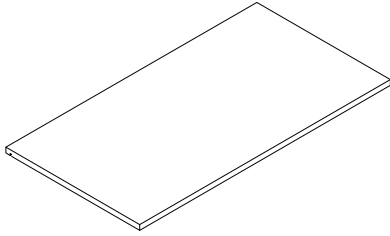
# IDENTIFY PARTS

One unit per box



# COMPONENTS

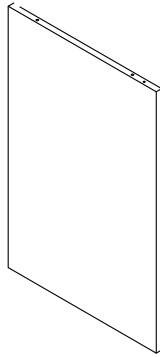
1



749x399x15mm

Top Panel x1

2



610x398x15mm

Left Panel x1

3



617x363mm

Back Panel x2

4



610x79x12mm

Back Vertical Bar x1

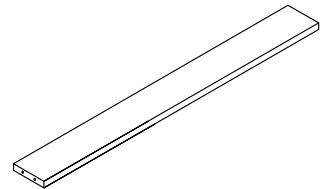
5



608mm

Back Connecting Strip x1

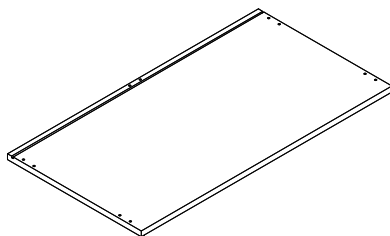
6



718x79x15mm

Brace x1

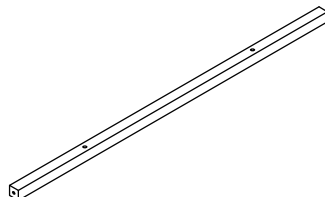
7



749x399x15mm

Bottom Panel x1

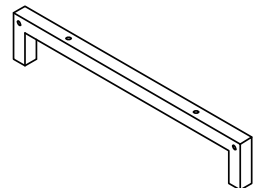
8



708x20x20mm

Iron Brace x2

9

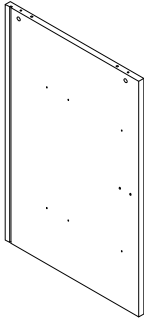


398x75x20mm

Iron Side Frame x2

# COMPONENTS

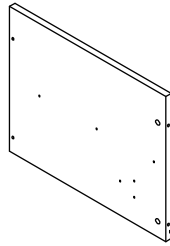
10



610x398x15mm

Right Panel x1

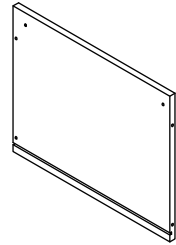
11



350x280x12mm

Upper Drawer Left panel x1

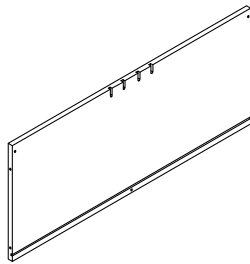
12



350x280x12mm

Drawer Right Panel x2

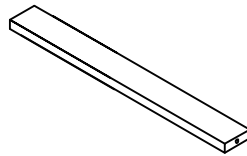
13



670x280x12mm

Drawer Back Panel x2

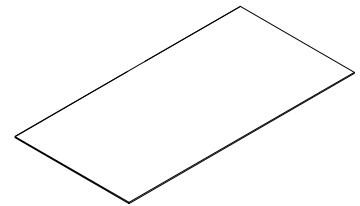
14



337x39x12mm

Drawer Brace x2

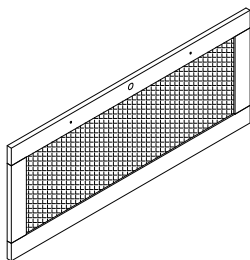
15



677x344mm

Drawer Bottom Panel x2

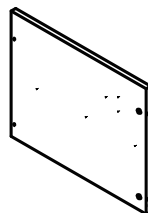
16



713x292x15mm

Drawer Front Panel x2

17



350x280x12mm

Lower Drawer Left Panel x1

# COMPONENTS

**A**



+1(spare)

Φ6X35mm

Cam Bolt x20

**B**



+1(spare)

Φ15X10mm

Cam Lock x20

**C**



+1(spare)

Φ6X30mm

Wood Dowel x8

**D**

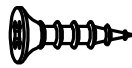


+1(spare)

Φ4X35mm

Screw x10

**E**



+3(spare)

Φ3X12mm

Screw x30

**F**

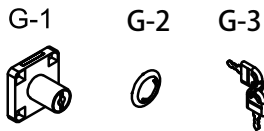


+1(spare)

Φ5X40mm

Screw x6

**G**



Lock & Key x2

**H**



Φ4X18mm  
Handle Screw, Handle x4

**I**



Φ5X30mm

Screw x8

**J**

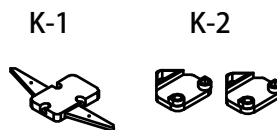


+2(spare)

Φ3X16mm

Screw x11

**K**



Anti-Tipping Device x1

**L**



Drawer Slide x4

# COMPONENTS

M

M-1



M-2



Φ3X16mm

Back Panel Wedge & Screws x4

N



Φ6X35mm

Screw x4

O

O-1



O-2



O-3



Φ4X12mm

Anti-tipping Belt & Washer & Screw x2

P

P-1



P-2



P-3



Φ4X45mm

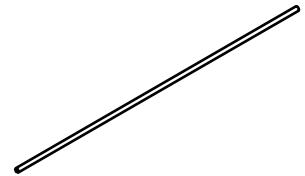
Expansion Screw & Washer & Screw x2

Q



Wrench x1

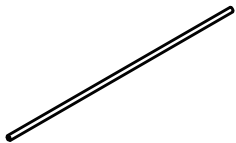
R



682mm

Long Hanging Rod x4

S



348mm

Short Hanging Rod x8

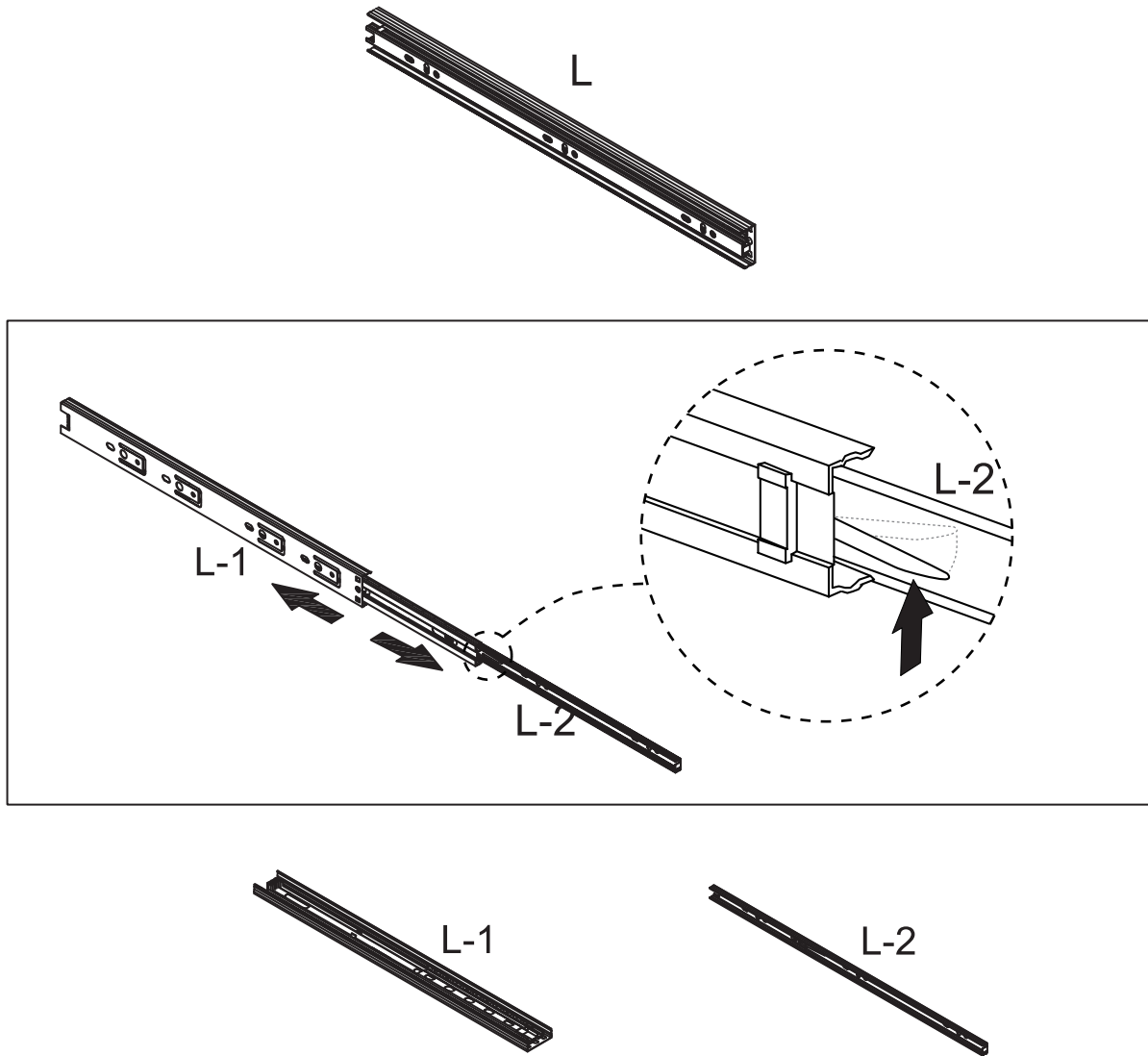


(spare)

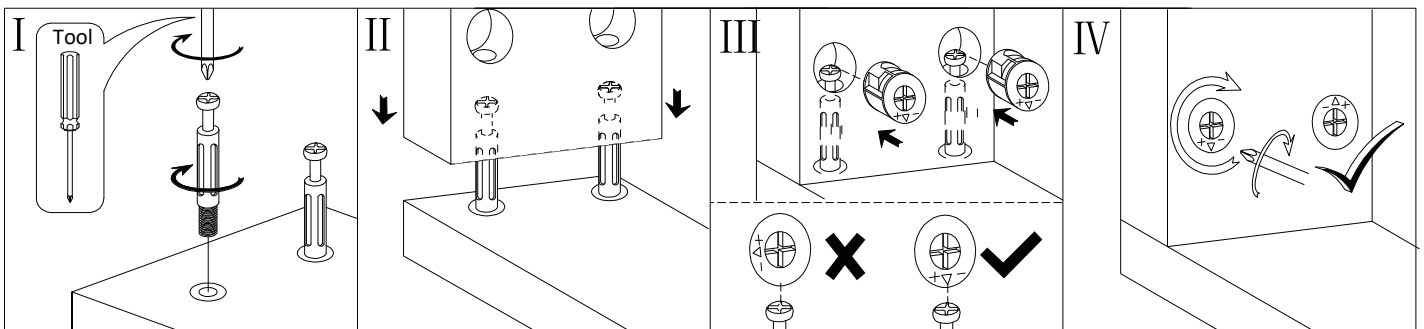
Plastic Anchor x3

# ASSEMBLY STEPS

Detach the drawer slide before assembling it, there is a detach button on the side of the drawer slide and you can remove the drawer slide by pressing the button down



## "A & B" Hardware installation example

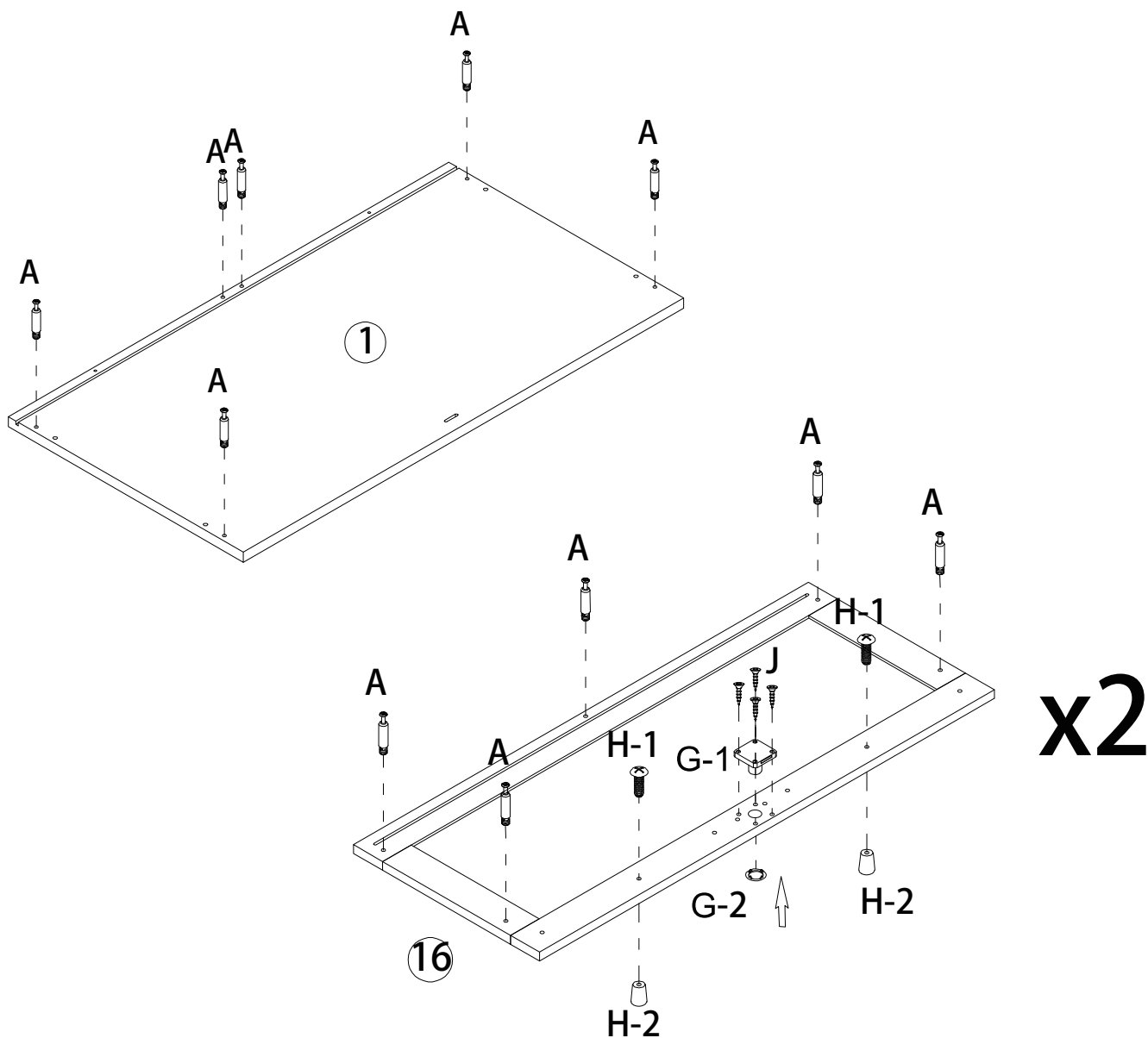


# ASSEMBLY STEPS

A x 16	M6x35mm	G x 2	G-1	G-2	H x 4	H-1	M4x18mm	H-2	J x 8	M3x16mm
--------	---------	-------	-----	-----	-------	-----	---------	-----	-------	---------

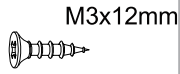
## STEP 1

1. Fix screw(A) on panel (1) and (16) respectively.
2. Use screw(H-1) to tighten handle(H-2) and fix it on panel(16).
3. Use screw(J) to fix lock(G-1) on panel(16), and then insert (G-2).



# ASSEMBLY STEPS

E x 18

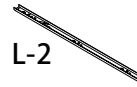


K x 2



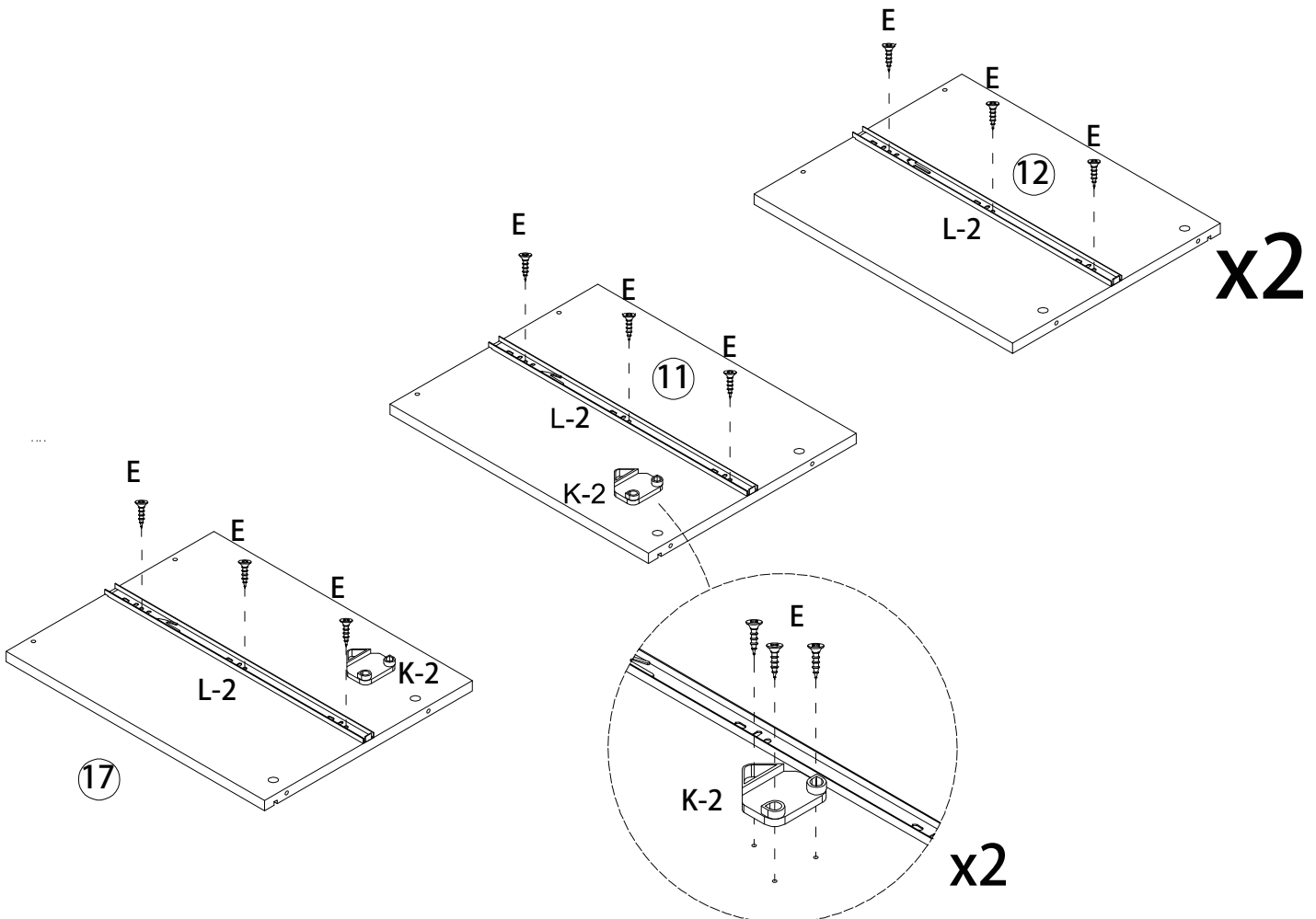
L x 4

L-2

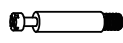
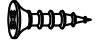





## STEP 2

1. Use screw (E) to secure anti-tipping drawer locker (K-2) to panel (11) and (17).
2. Use screw (E) to secure drawer slide (L-2) to panel (11), (12) and (17).

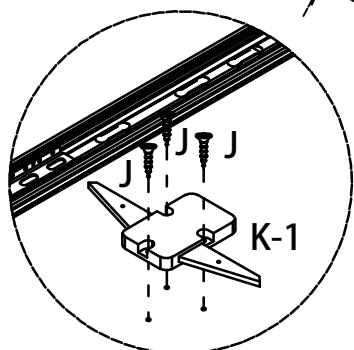
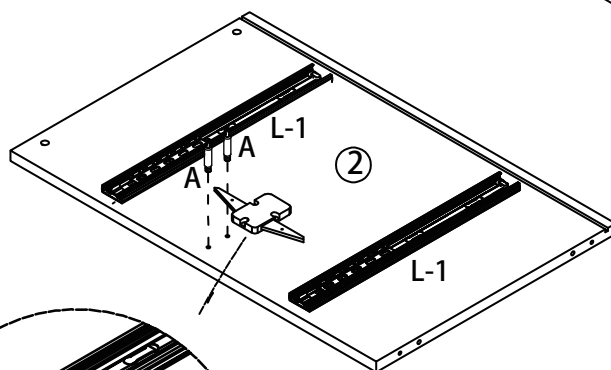
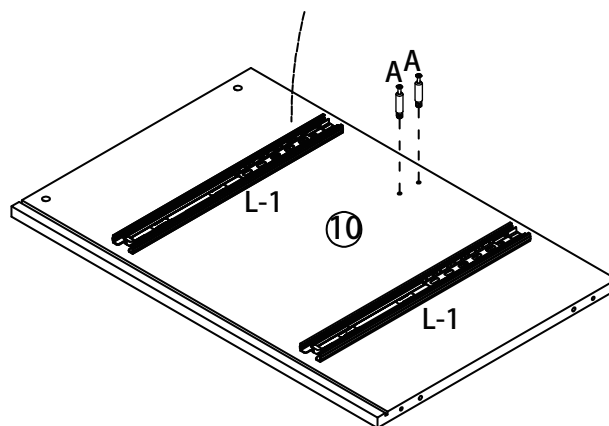
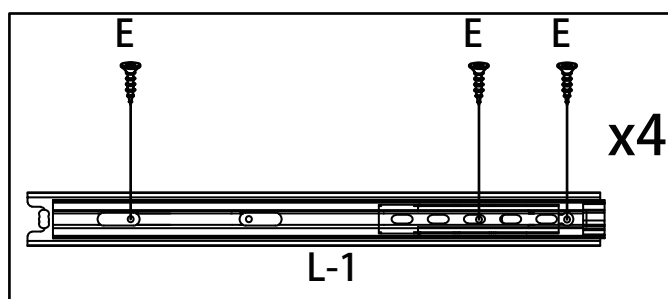


# ASSEMBLY STEPS

A x 4	 M6x35mm	E x 12	 M3x12mm	J x 3	 M3x16mm	K x 1	 K-1
L x 4	 L-1						

## STEP 3

1. Fix screw(A) on panel(2) and (10) respectively.
2. Use screw(E) to fix drawer slide(L-1) on panel(2) and (10) respectively.
3. Use screw(J) to fix anti-tipping drawer locker(K-1) on panel(2).

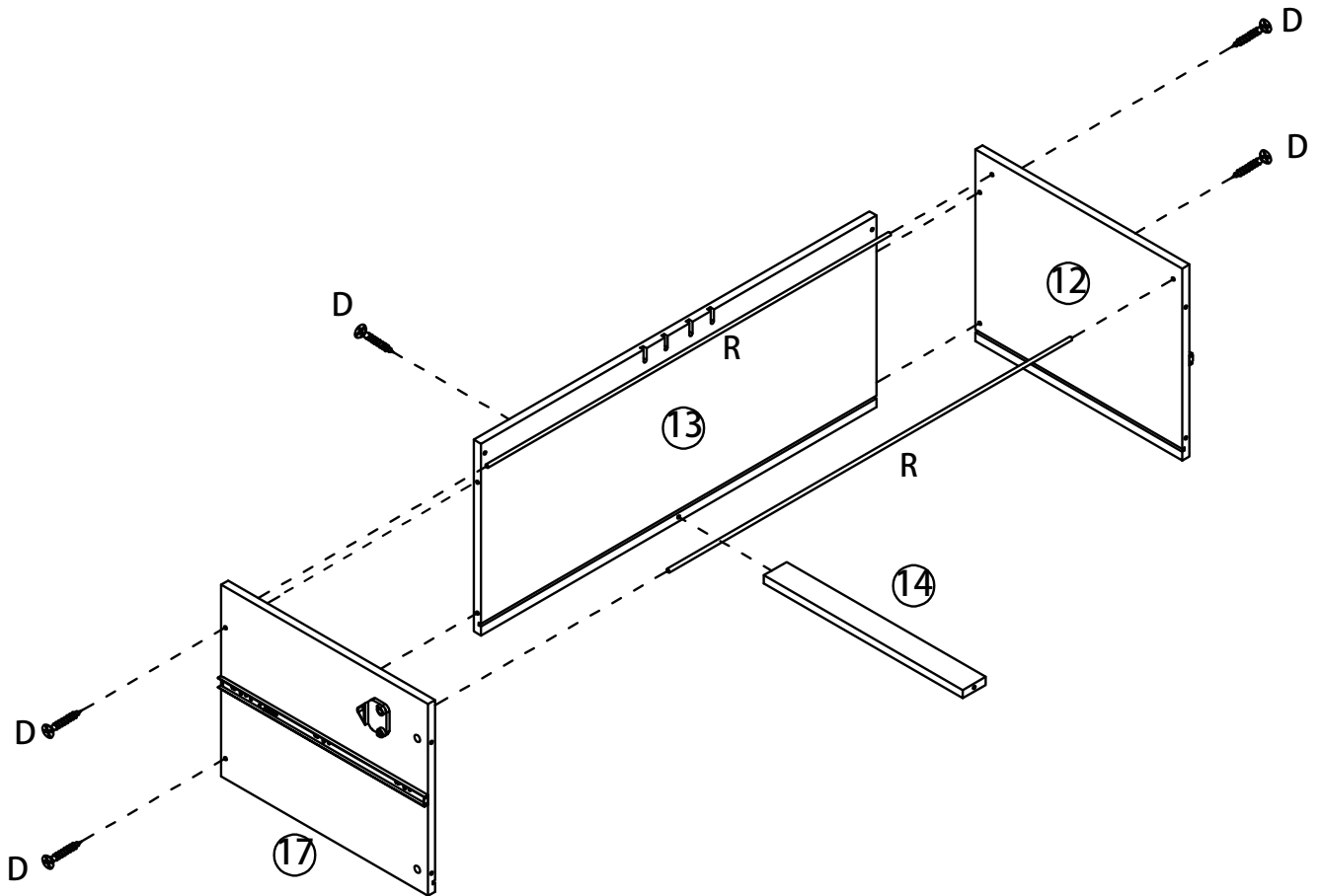


# ASSEMBLY STEPS

D x 5	M4x35mm 	R x 2	682mm 
-------	--	-------	--

## STEP 4

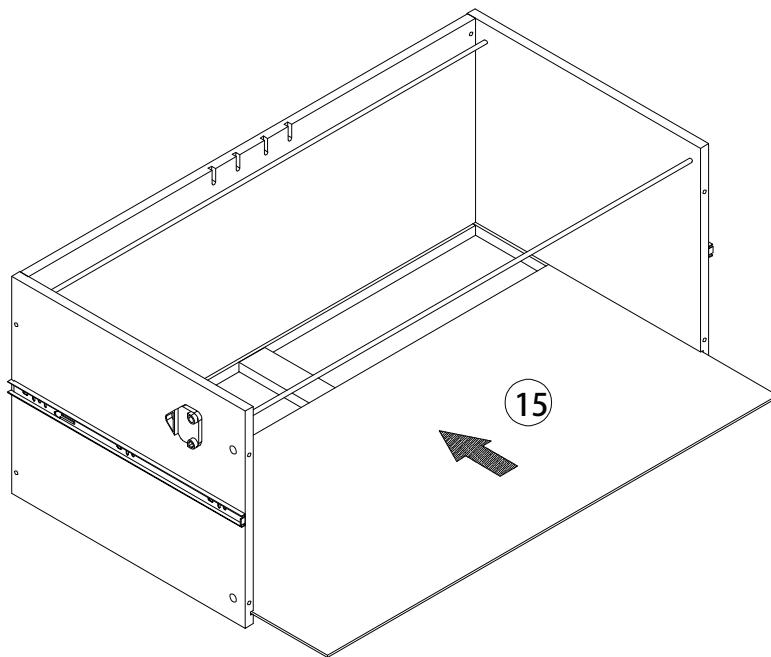
1. Use screw(D) to connect panel(12)&(13)&(14)(17).
2. Insert long hanging rod(R) along the hole.





# ASSEMBLY STEPS

## STEP 5

1. Place panel(15) along the groove.

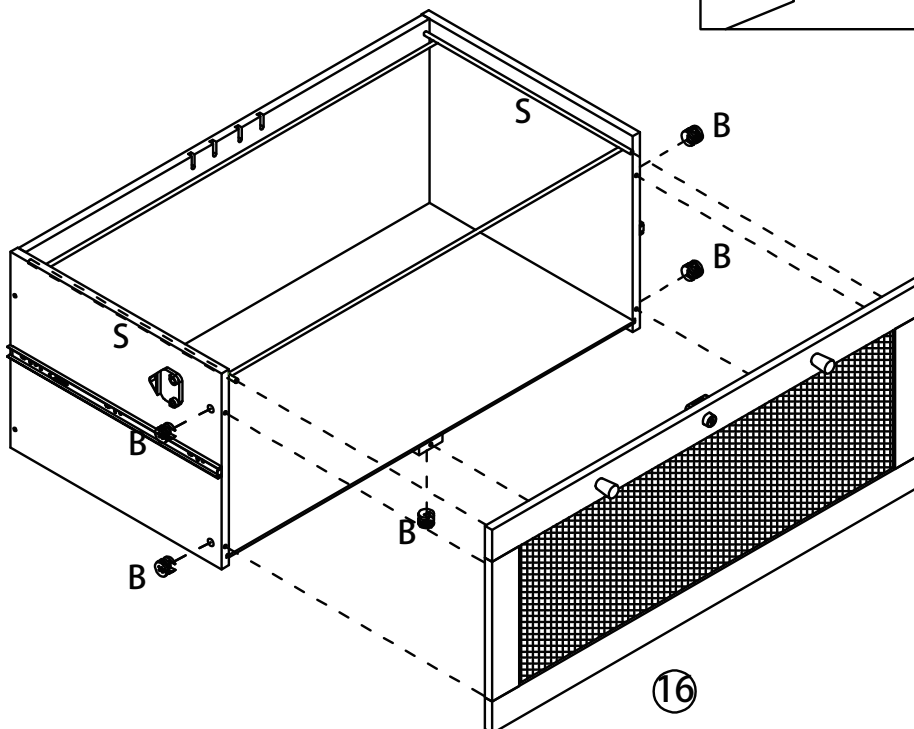
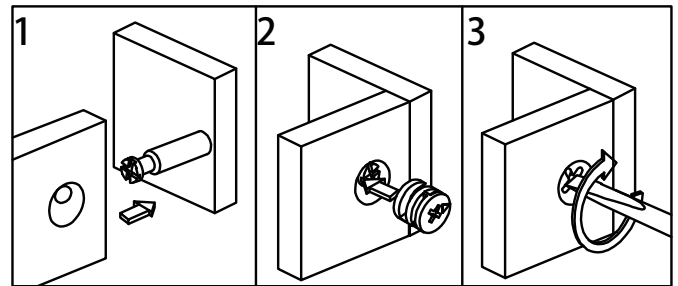


# ASSEMBLY STEPS

B x 5	M15x10mm 	S x 2	 348mm
-------	---	-------	---

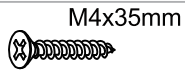
## STEP 6

1. Insert short hanging rod(S) along the hole.
2. Connect panel(16) and tighten it with cam lock(B).



# ASSEMBLY STEPS

D x 5

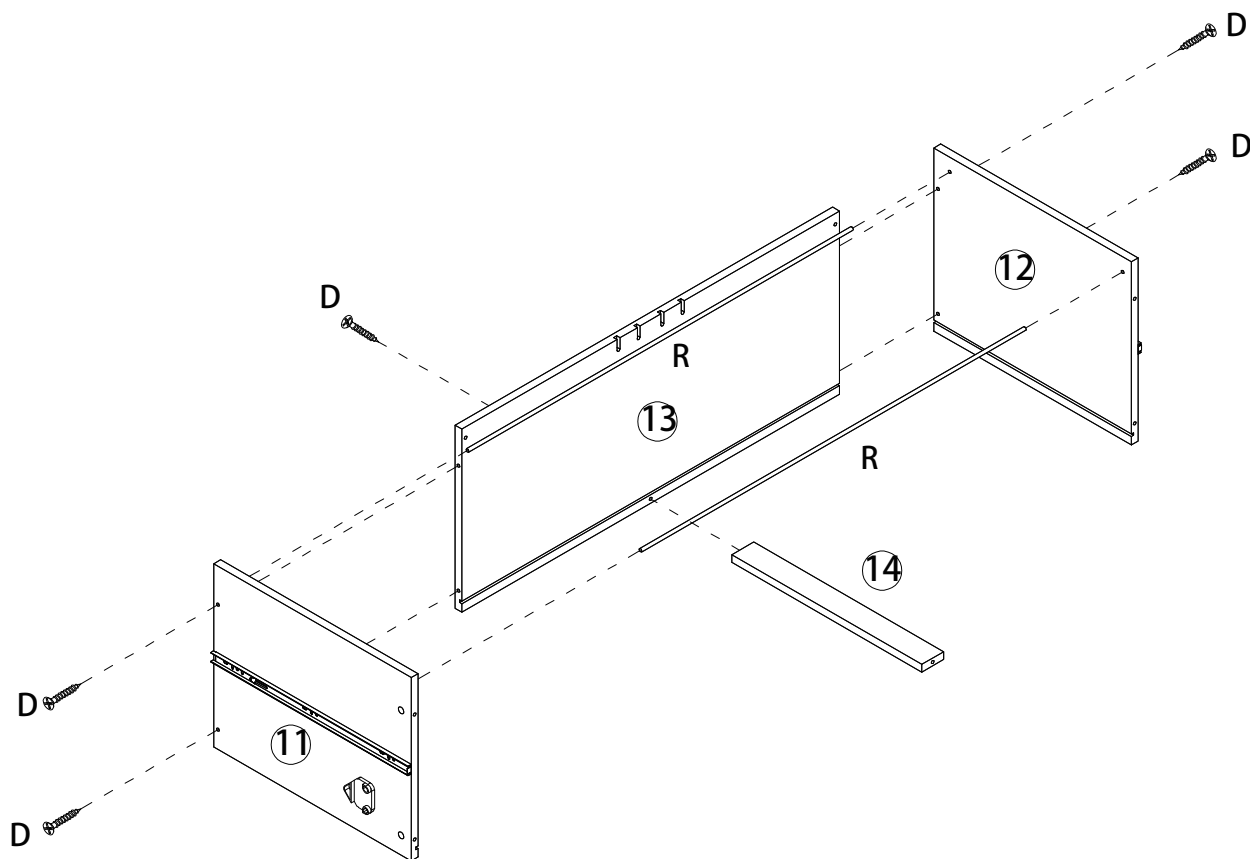


R x 2



## STEP 7

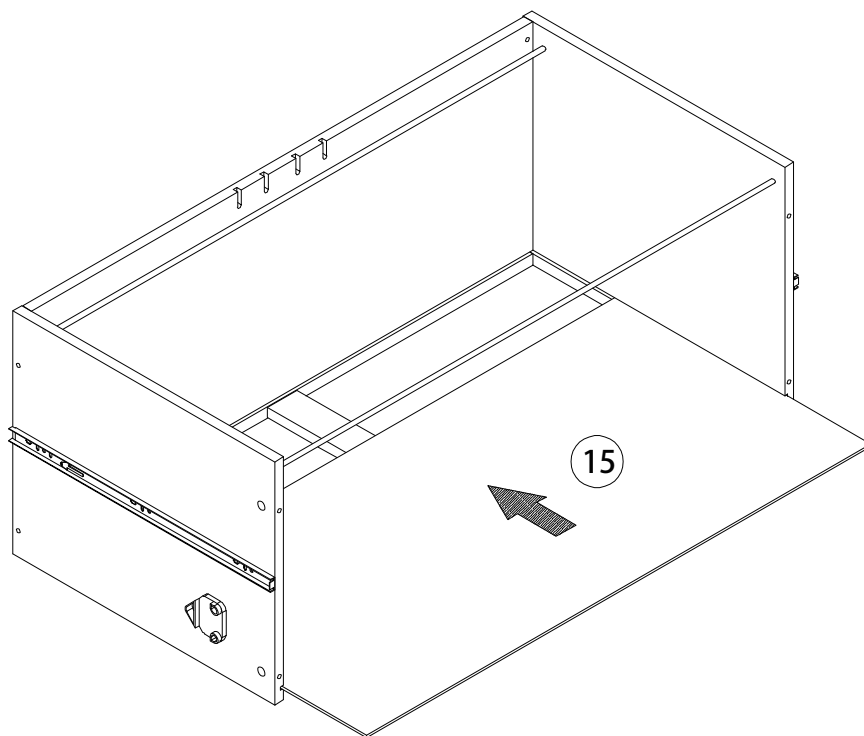
1. Use screw(D) to connect panel(11)&(12)&(13)&(14).
2. Insert long hanging rod(R) along the hole.




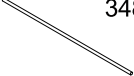
# ASSEMBLY STEPS

## STEP 8

1. Place panel(15) along the groove.

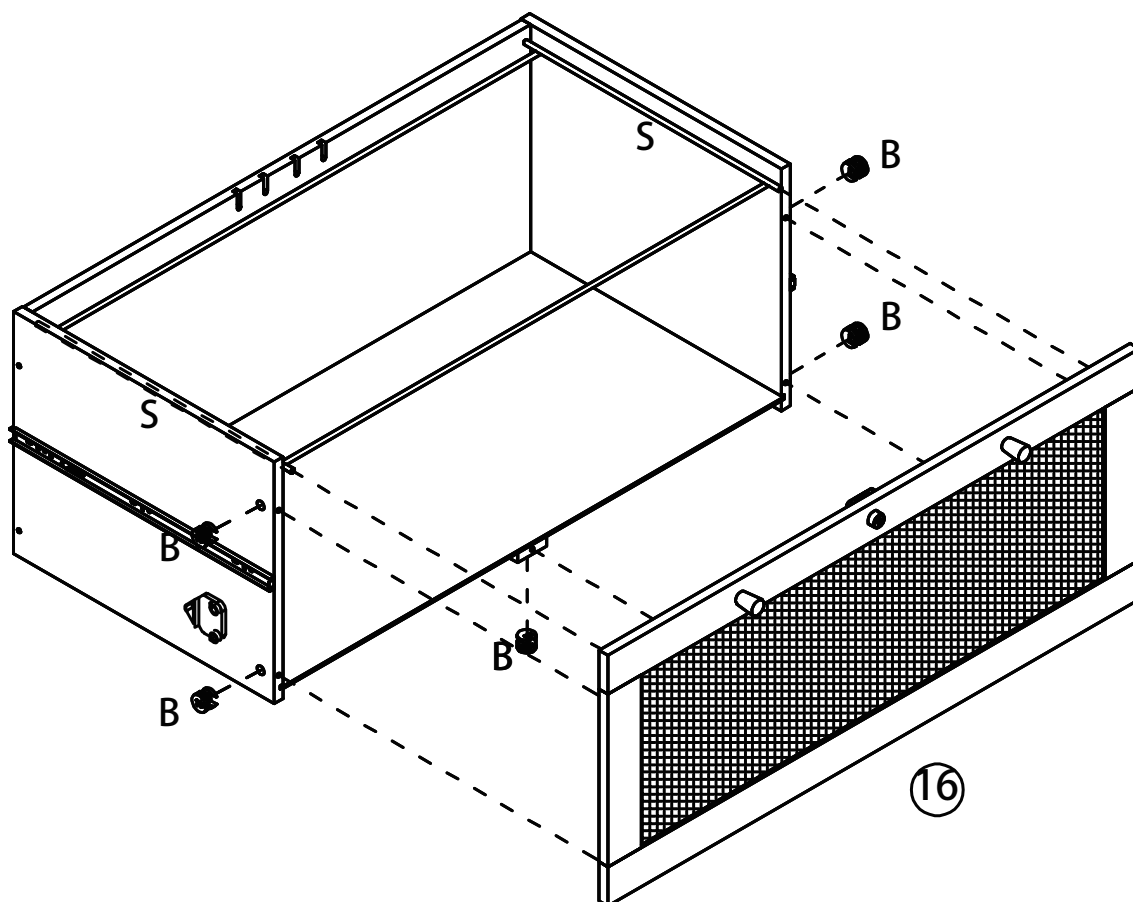


# ASSEMBLY STEPS

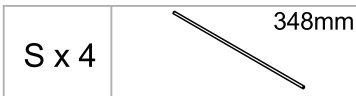
B x 5	M15x10mm 	S x 2	 348mm
-------	---	-------	---

## STEP 9

1. Insert short hanging rod(S) along the hole.
2. Connect panel(16) and tighten it with cam lock(B).

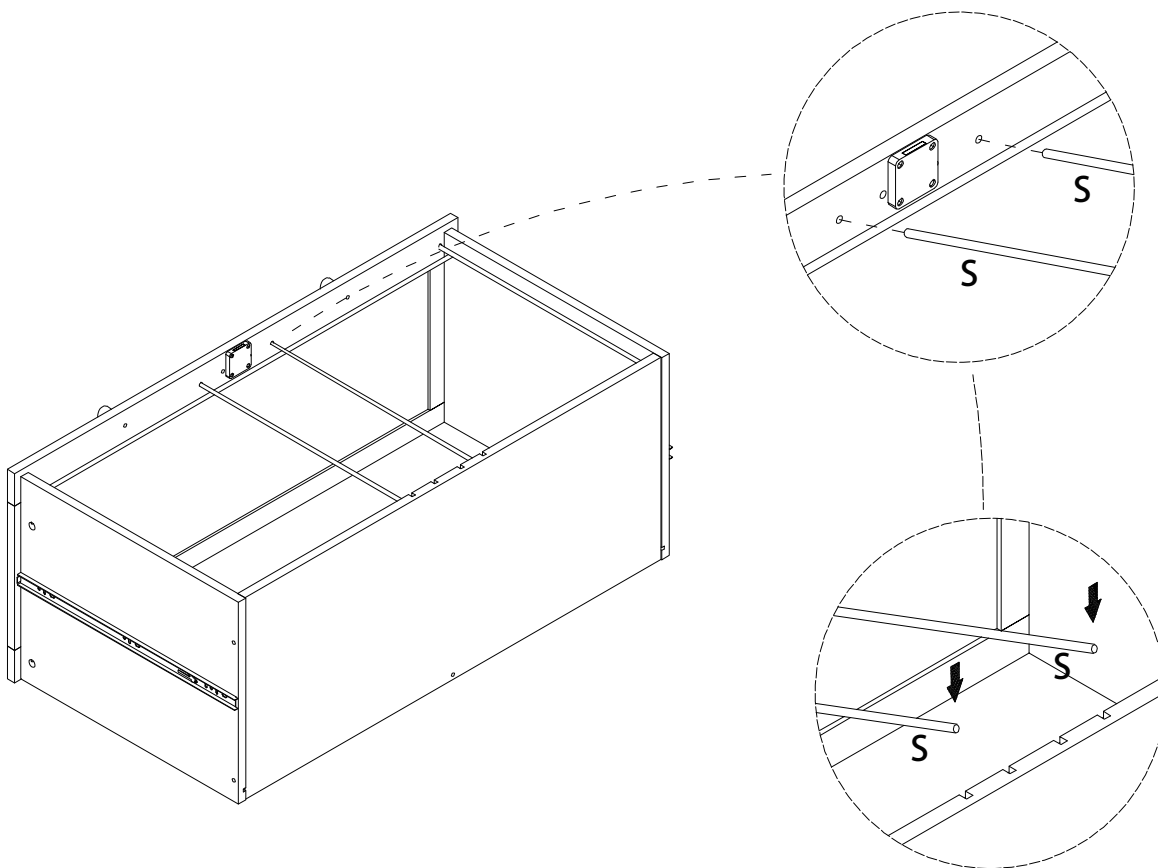


# ASSEMBLY STEPS



## STEP 10

1. Insert the short hanging rod(S) into 2 drawers along the hole.



x2

# ASSEMBLY STEPS

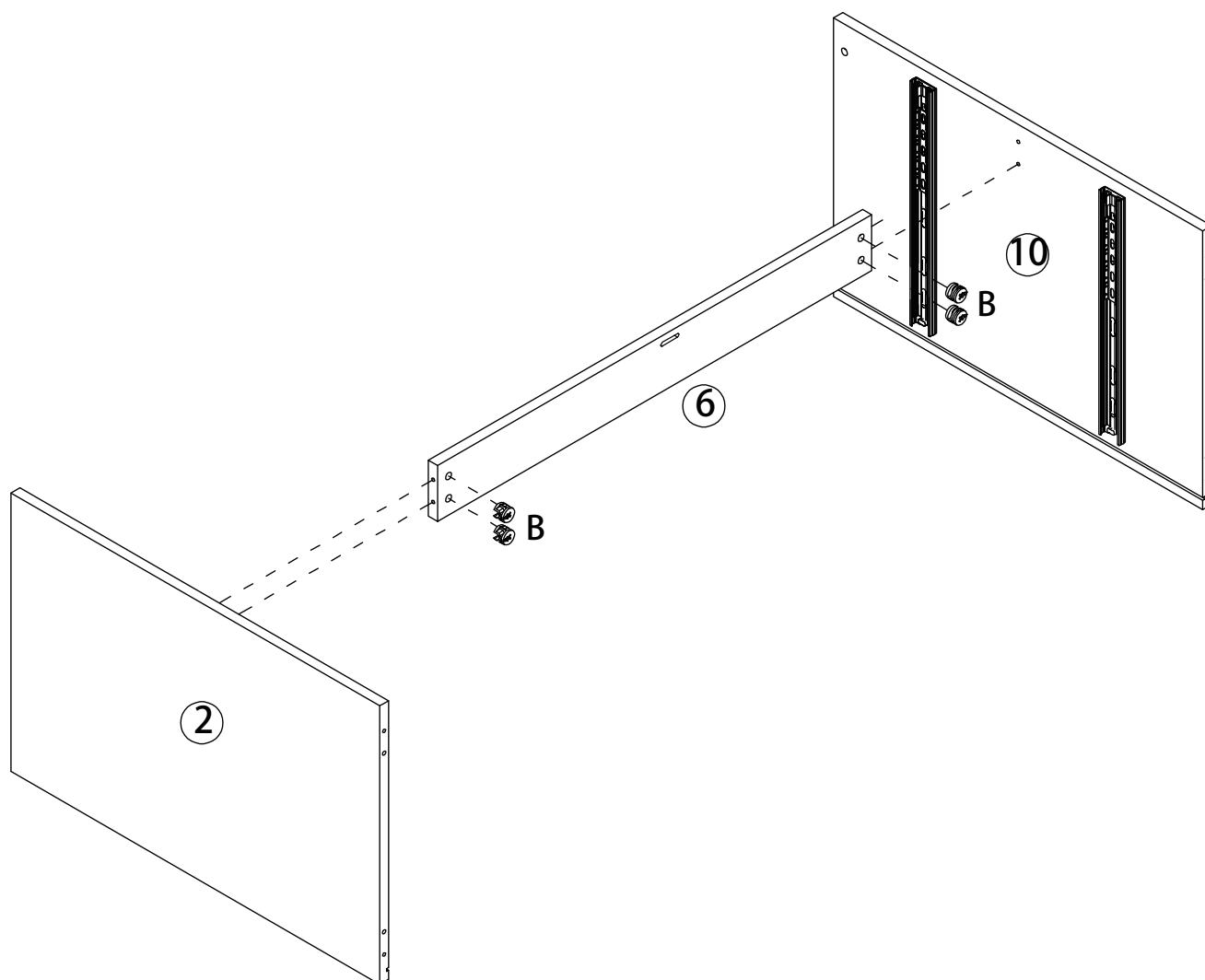
B x 4

M15x10mm


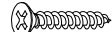


## STEP 11

1. Connect panel (2)&(6)&(10) and tighten them securely using cam lock(B).

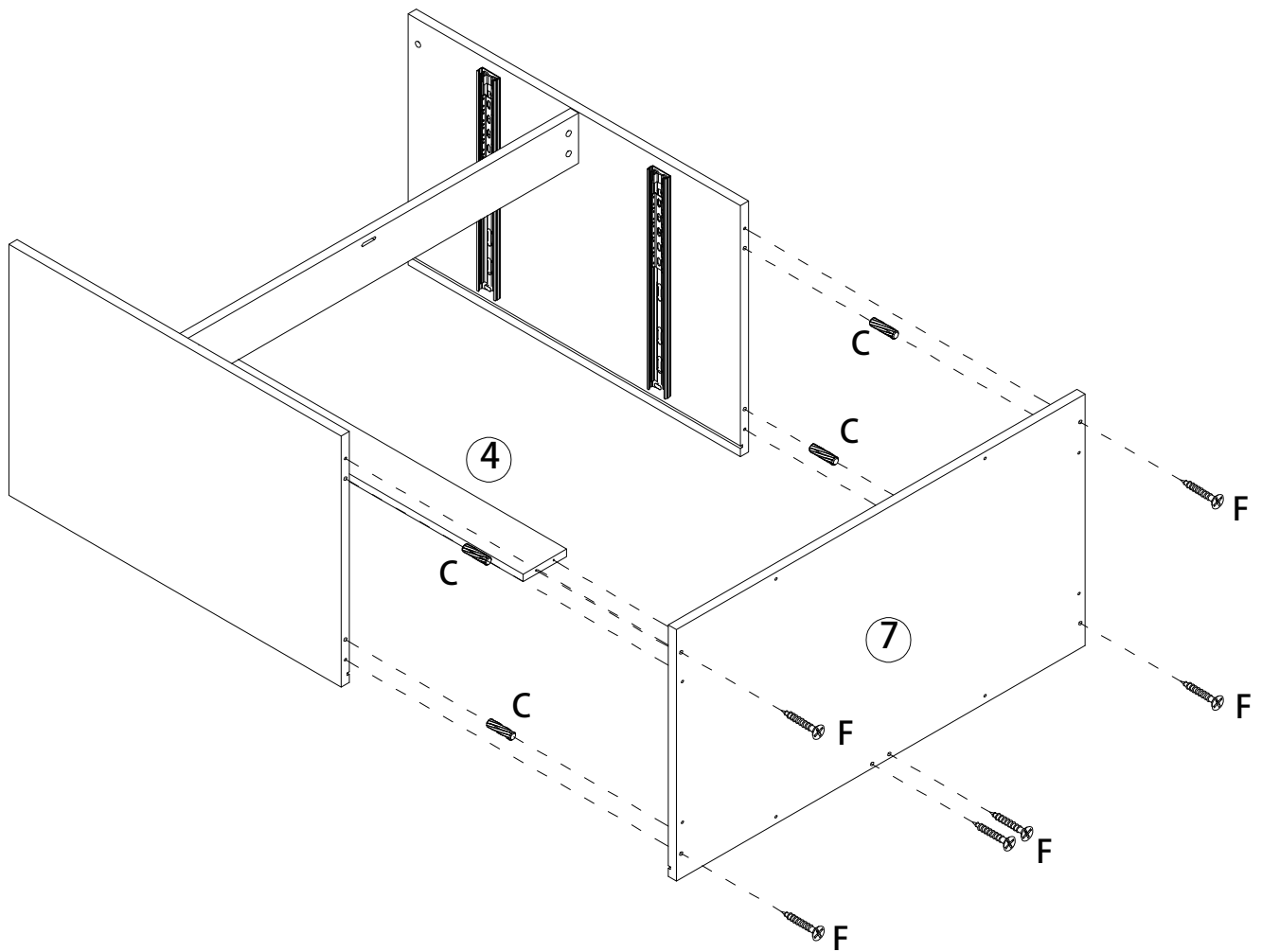


# ASSEMBLY STEPS

C x 4	M6x30mm 	F x 6	M5x40mm 
-------	--	-------	--

## STEP 12

1. Use screw(F) and dowel(C) to connect panel(4)&(7) to the cabinet.

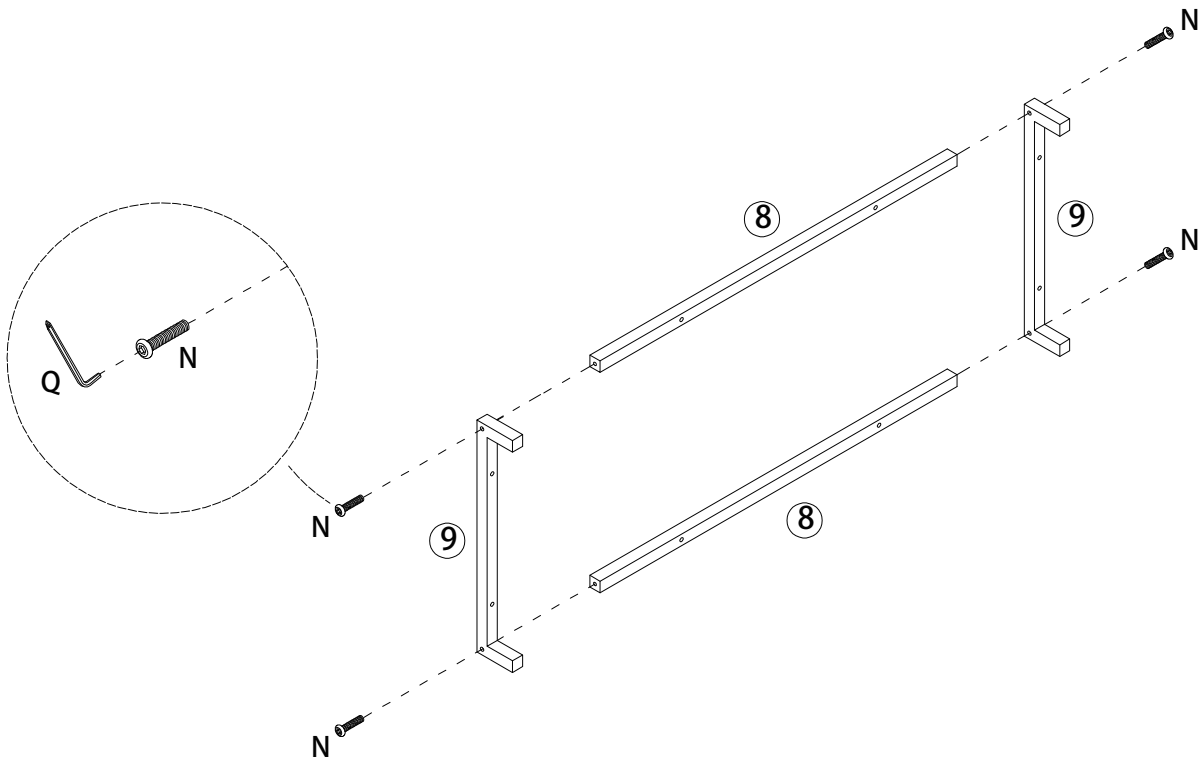


# ASSEMBLY STEPS

N x 4	M6x35mm 	Q x 1	
-------	--	-------	---

## STEP 13

1. Use wrench(Q) to fix screw(N), and connect iron parts(8) and (9).



# ASSEMBLY STEPS

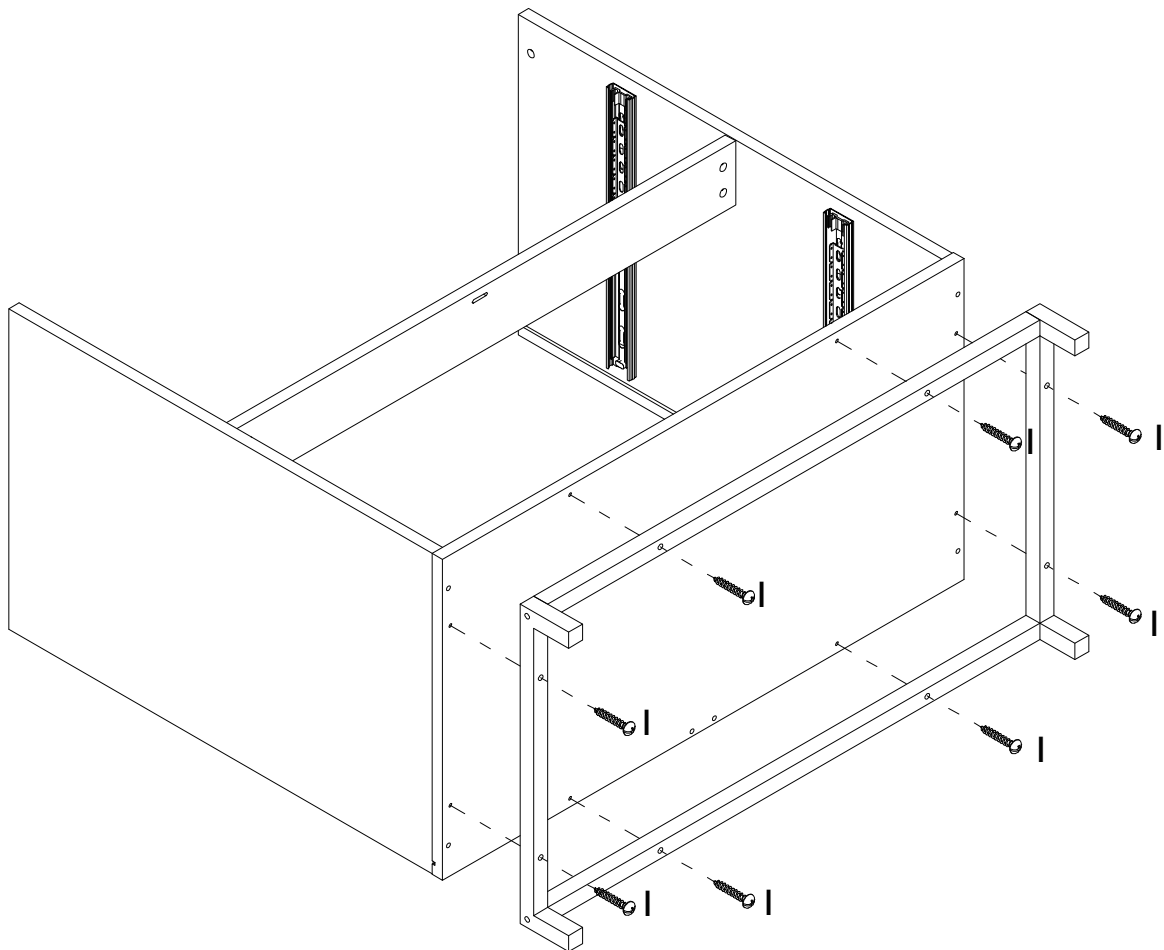
1 x 8



M5x30mm

## STEP 14

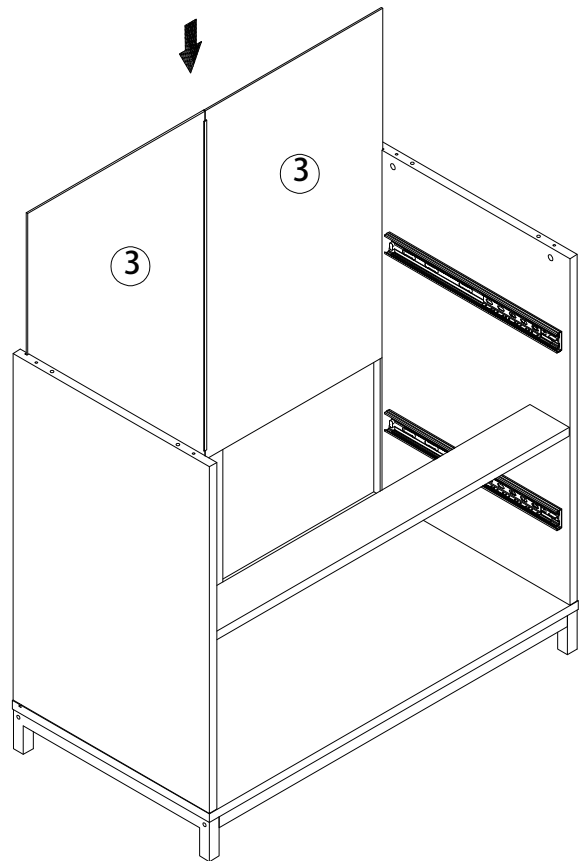
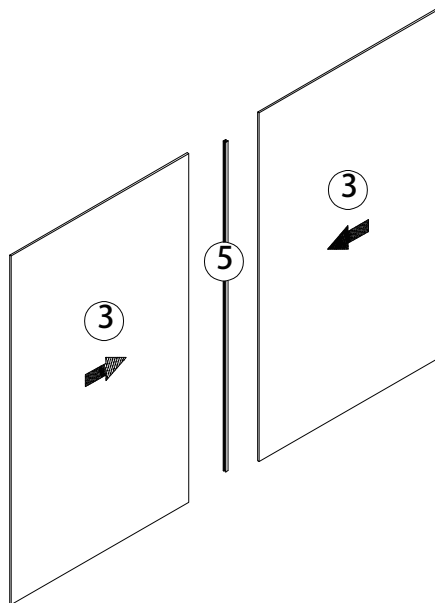
1. Use screw(I) to connect iron parts(8)&(9) to the cabinet.



# ASSEMBLY STEPS

## STEP 15

1. Insert the panel (3) and (5) into the cabinet along the groove.

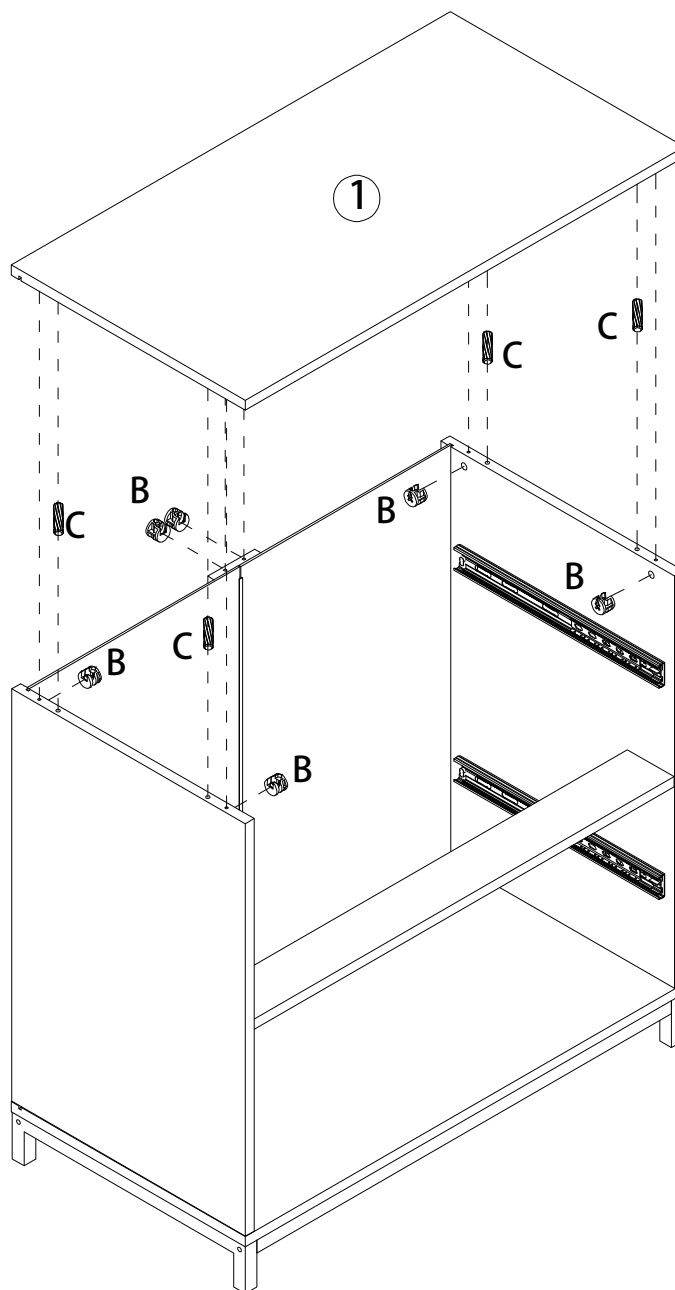


# ASSEMBLY STEPS

B x 6	M15x10mm 	C x 4	M6x30mm 
-------	---	-------	--

## STEP 16

1. Connect panel(1) to the cabinet using dowel(C) and tighten it securely with cam lock(B).

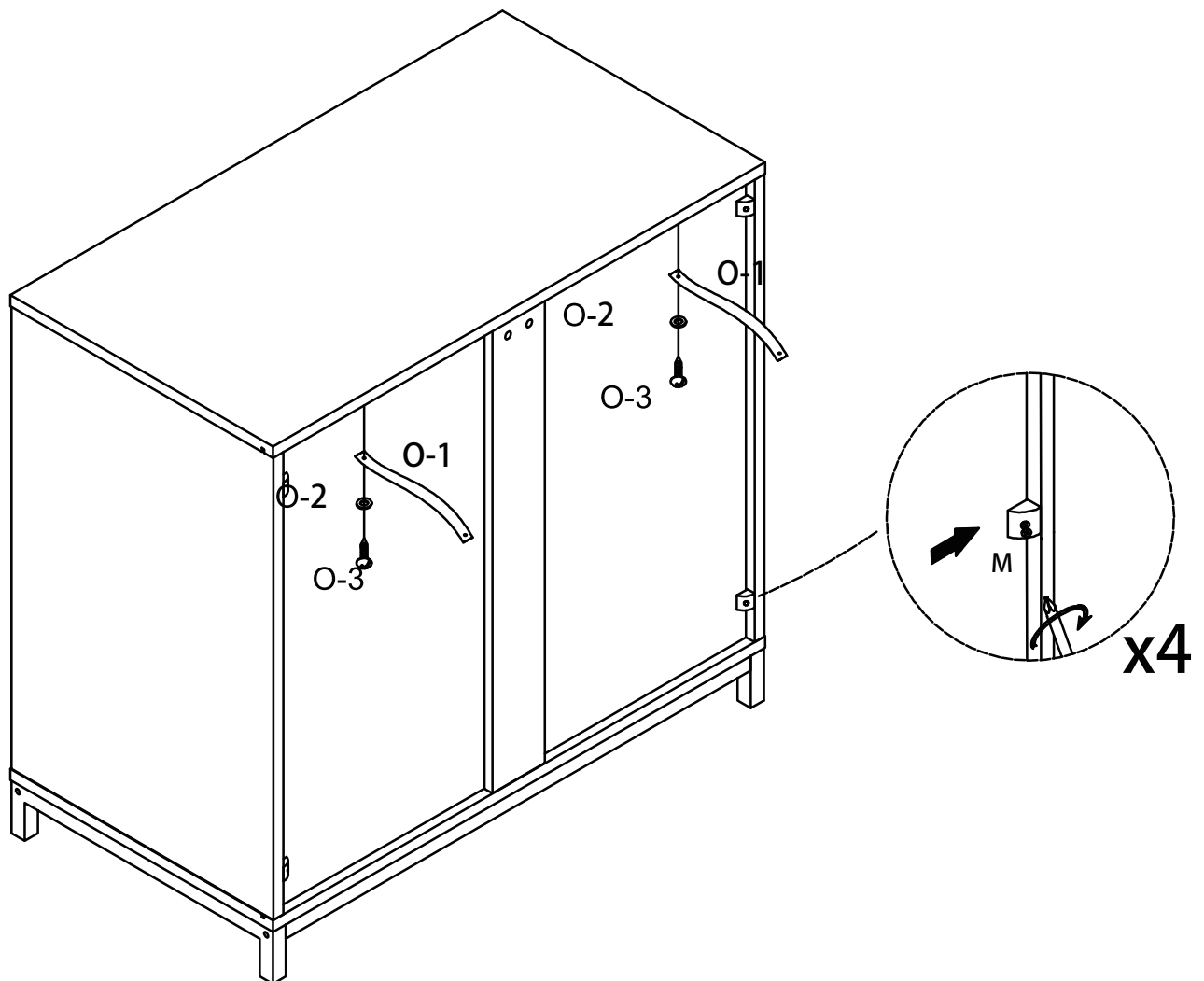


# ASSEMBLY STEPS

M x 4	M-1	M3x16mm	M-2	O x 2	O-1	O-2	O-2	M4x12mm	O-2
-------	-----	---------	-----	-------	-----	-----	-----	---------	-----

## STEP 17

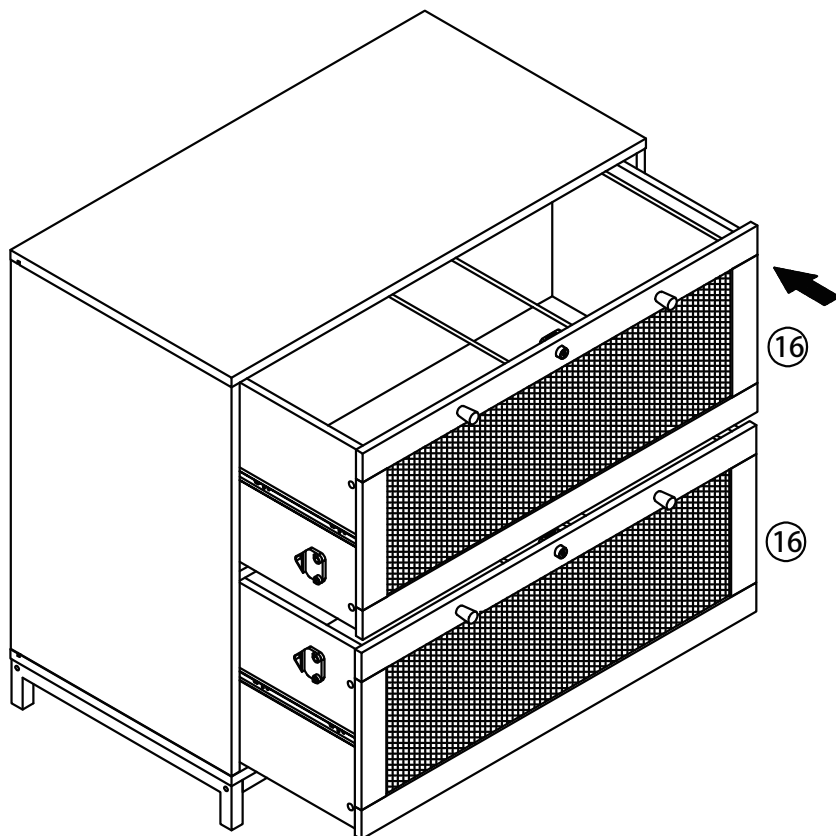
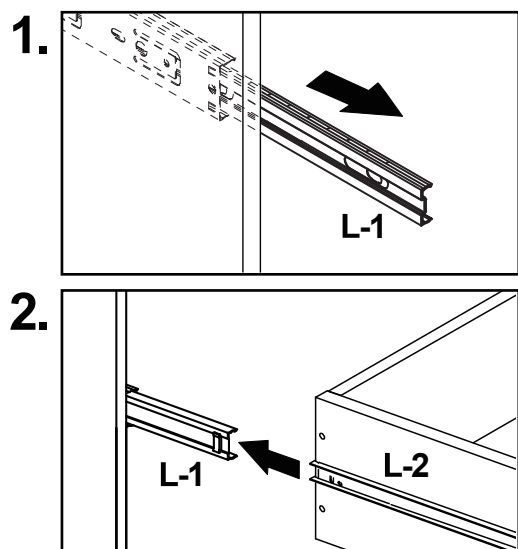
1. Insert wedge(M-1) into the gap of the cabinet back panel and fix it with screw(M-2).
2. Use screw(O-3) to pass through washer(O-2) and fix the belt(O-1).



# ASSEMBLY STEPS

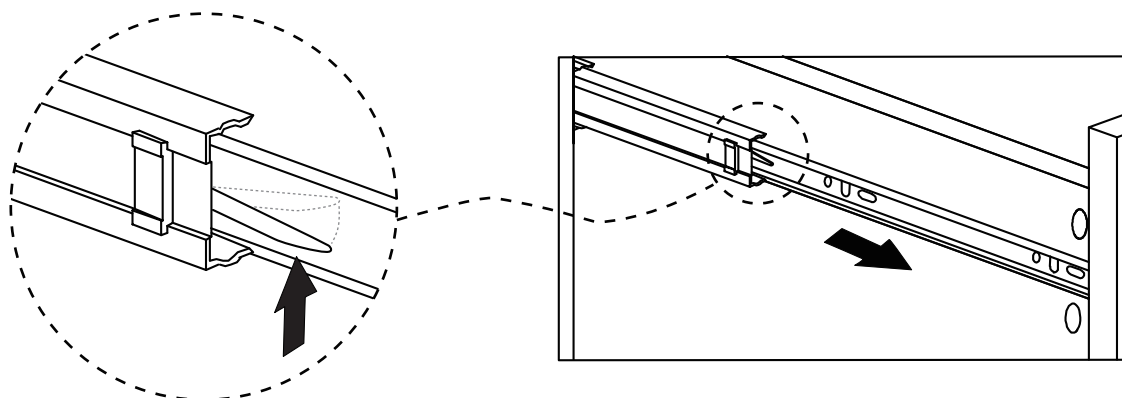
## STEP 18

1. Align the drawer slides and push 2 drawers into the cabinet.






## Drawer Disassembly

If you need to remove the drawer, lift the lever on the left side slide upward and push down the lever on the right side slide, then slowly pull out the drawer.

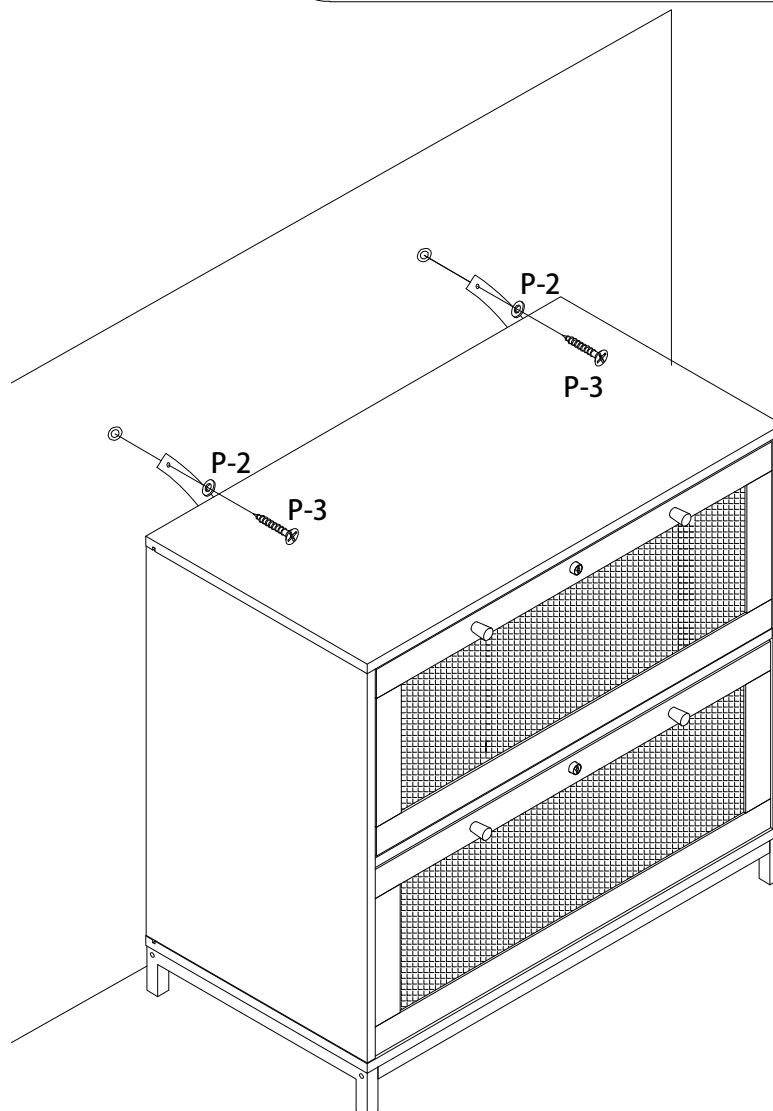
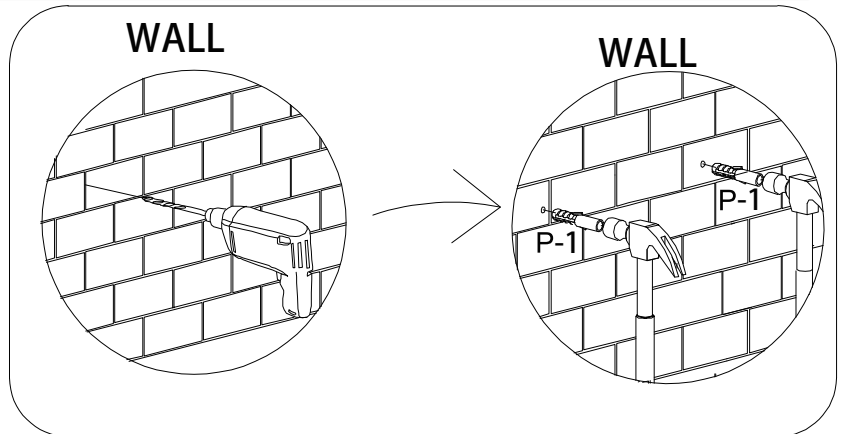


# ASSEMBLY STEPS

P x 2	P-1 	P-2 	M4x45mm P-3 
-------	---	---	--

## STEP 19

1. Drill 2 holes in the wall and then insert the expansion screw(P-1) into the wall.
  2. Use screw(P3) to pass through the washer(P-2) and lock the cabinet in the wall.
- \*This step is to ensure the stability of the cabinet and prevent it from tipping over.



# ASSEMBLY STEPS

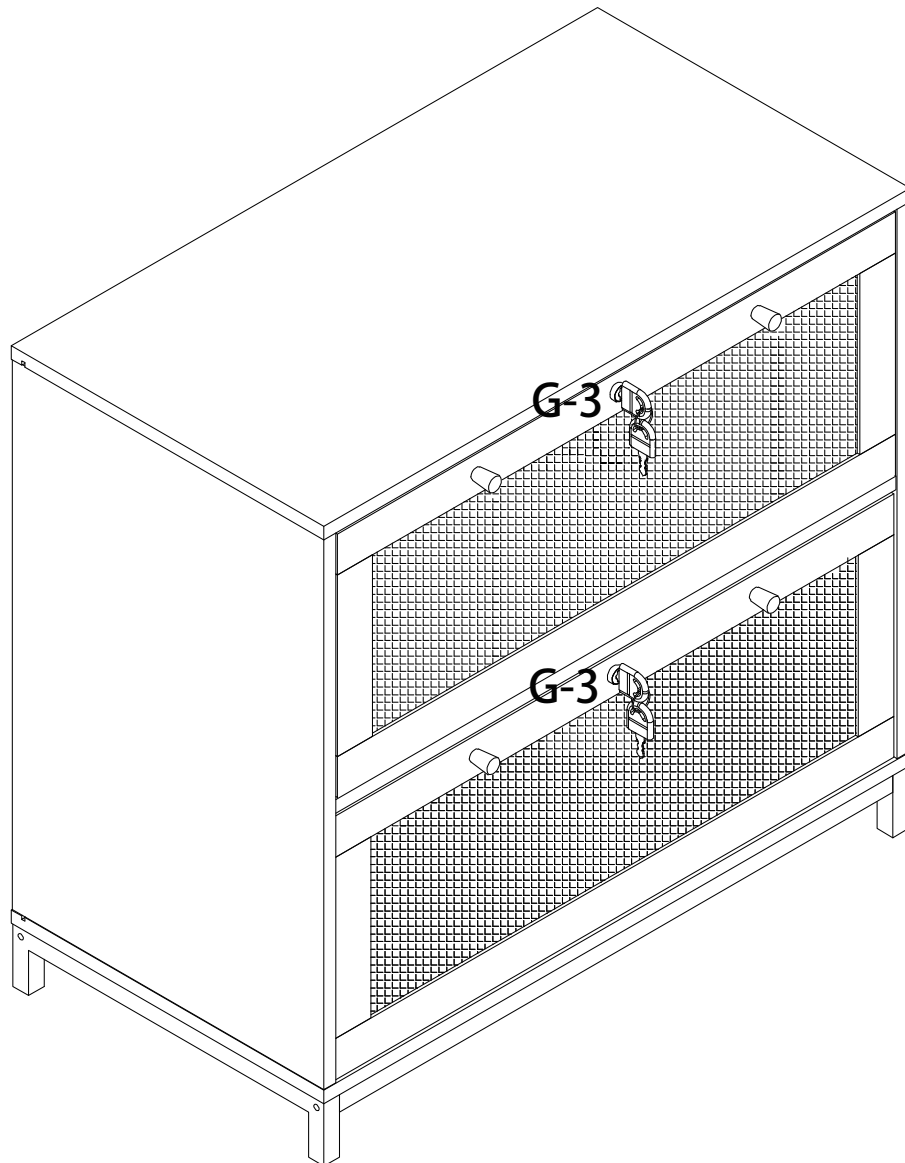
G x 2

G-3



## STEP 20

1. Insert keys(G-3) into the locks of 2 drawers.



# Supplementary Instructions for Safe Use

## English

### **WARNING**



Children have died from furniture tipover. To reduce the risk of furniture tipover:

- ALWAYS install tipover restraint provided.
- NEVER put a TV on this product.
- NEVER allow children to stand, climb or hang on drawers, doors, or shelves.
- NEVER open more than one drawer at a time.
- Place heaviest items in the lowest drawers.
- Do not defeat or remove the drawer interlock system.

This is a permanent label.

Do not remove!

## French

### **ATTENTION**



Des enfants sont morts du basculement des meubles. Pour réduire le risque de basculement des meubles:

- TOUJOURS installer la retenue de basculement fournie.
- NE JAMAIS mettre de téléviseur sur ce produit.
- NE JAMAIS permettre aux enfants de se tenir debout, de grimper, ou de s'accrocher à des tiroirs, des portes ou des étagères.
- N'ouvrez JAMAIS plus d'un tiroir à la fois.
- Placez les objets les plus lourds dans les tiroirs les plus bas.
- Ne désactivez pas et ne retirez pas le système de verrouillage du tiroir.

Ceci est une étiquette permanente.

Ne pas enlever!

## German

### **WARNUNG**



Kinder sind an einem Möbelkipp gestorben. So verringern Sie das Risiko eines Umkippen von Möbeln:

- Installieren Sie **IMMER** die mitgelieferte Kipprückhaltevorrichtung.
- Stellen Sie **NIEMALS** einen Fernseher an dieses Produkt.
- Lassen Sie Kinder **NIEMALS** an Schubladen, Türen oder Regalen stehen klettern oder hängen.
- Öffnen Sie **NIEMALS** mehr als eine Schublade gleichzeitig.
- Legen Sie schwerste Gegenstände in die untersten Schubladen.
- Besiegen oder entfernen Sie das Schubladenverriegelungssystem nicht.

Dies ist ein dauerhaftes Etikett.

Nicht entfernen!