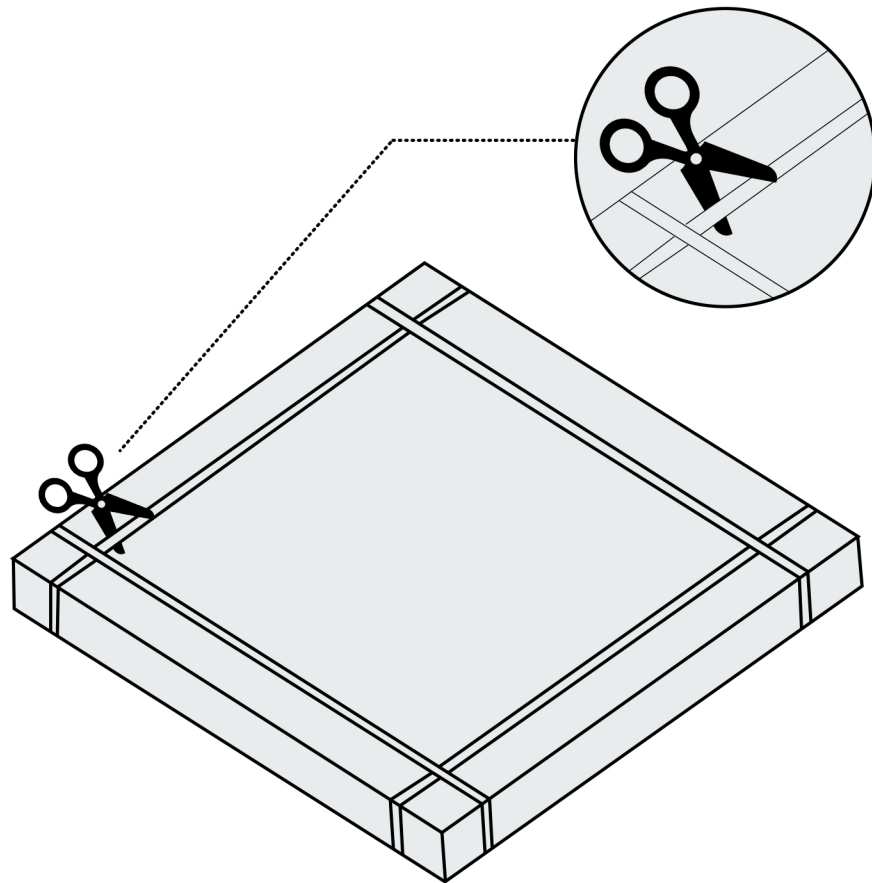
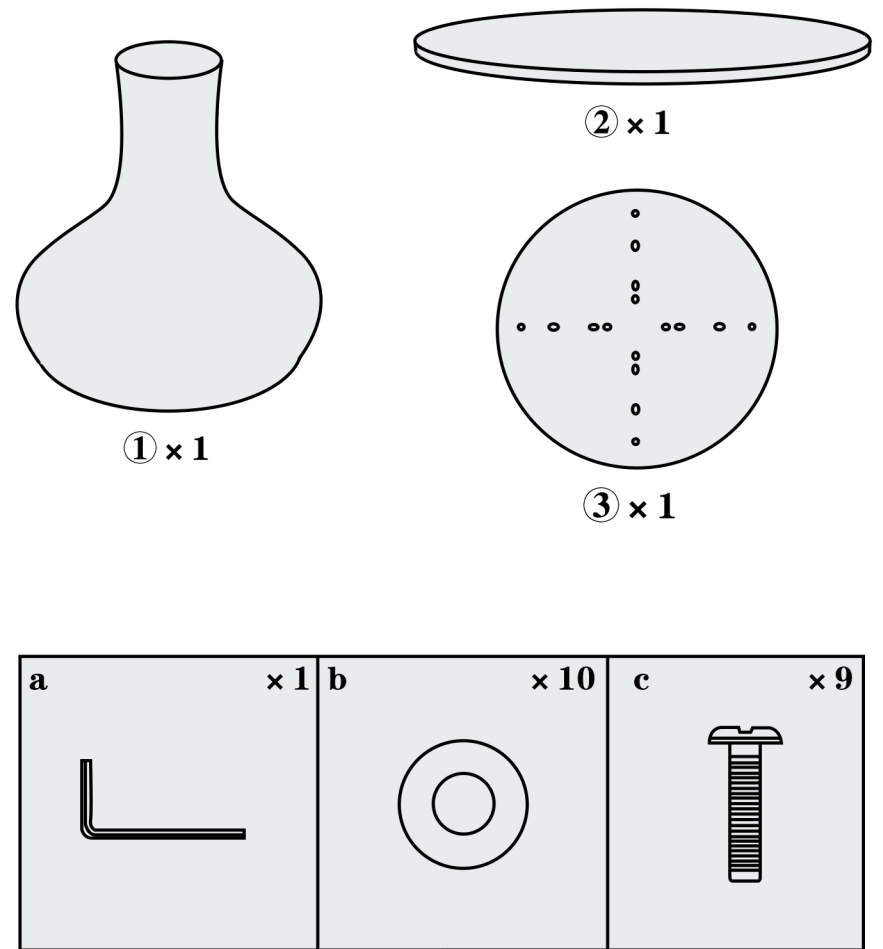


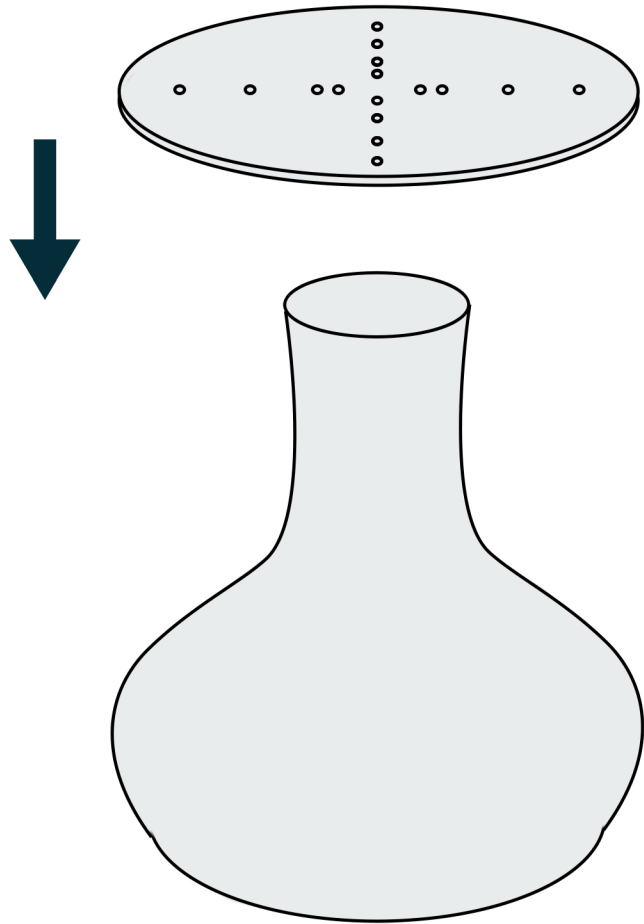
1

All the packages are intact, then let's start unpacking. Cut the PP tape with scissors and open the box directly.

2

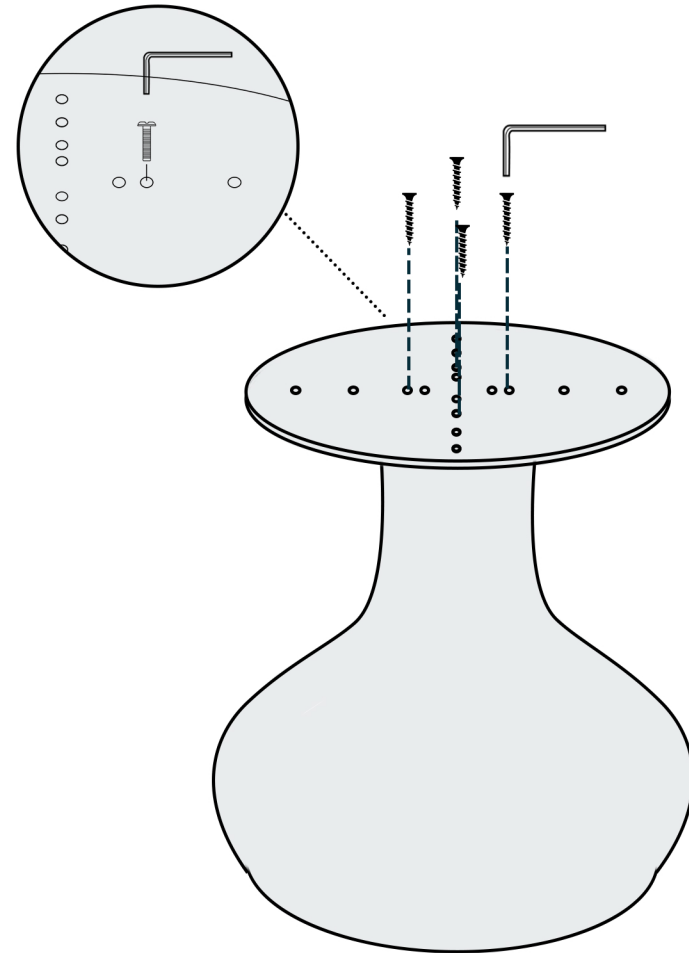
Prepare all parts well.

3



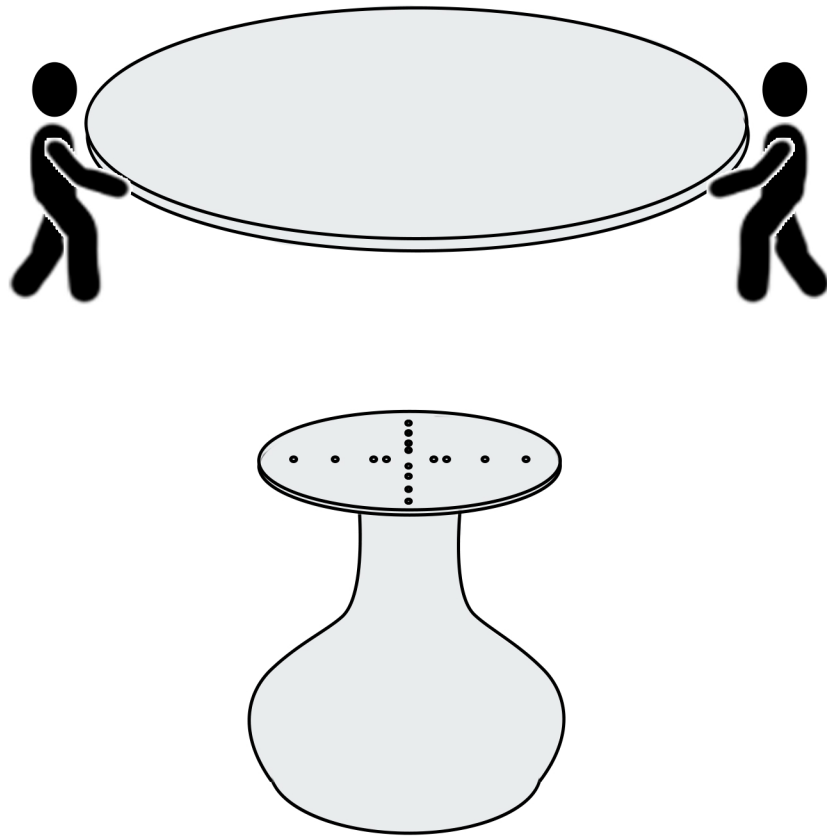
First place the connection plate on the base.

4



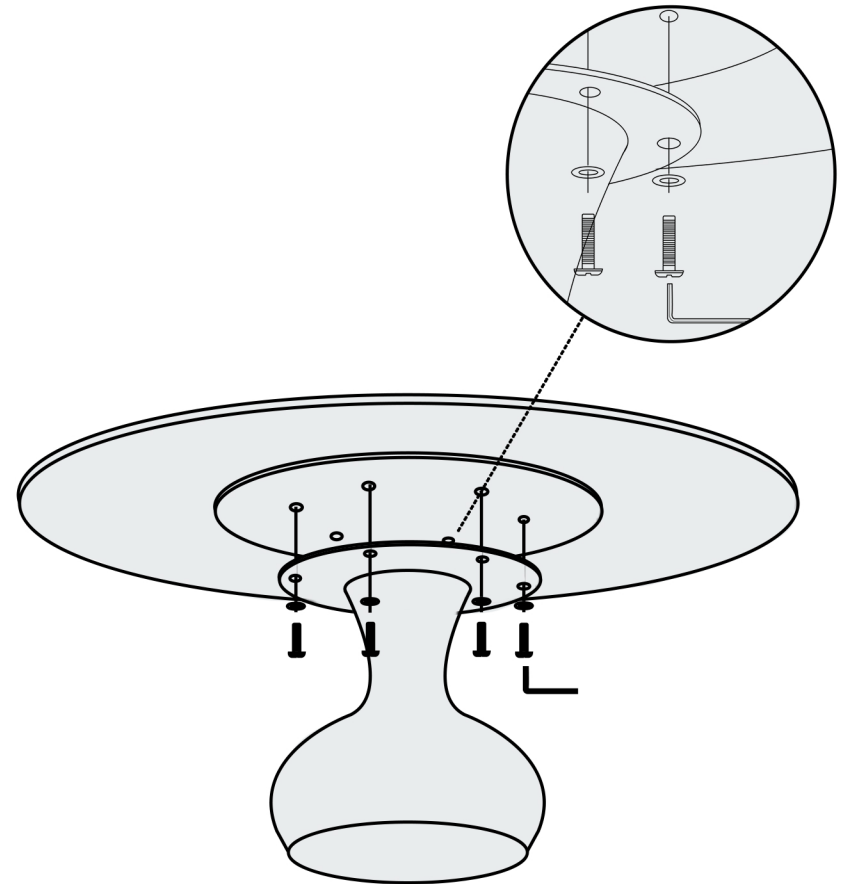
Align the holes of the connecting plate with the holes of the base, then tighten the 4 screws.

5



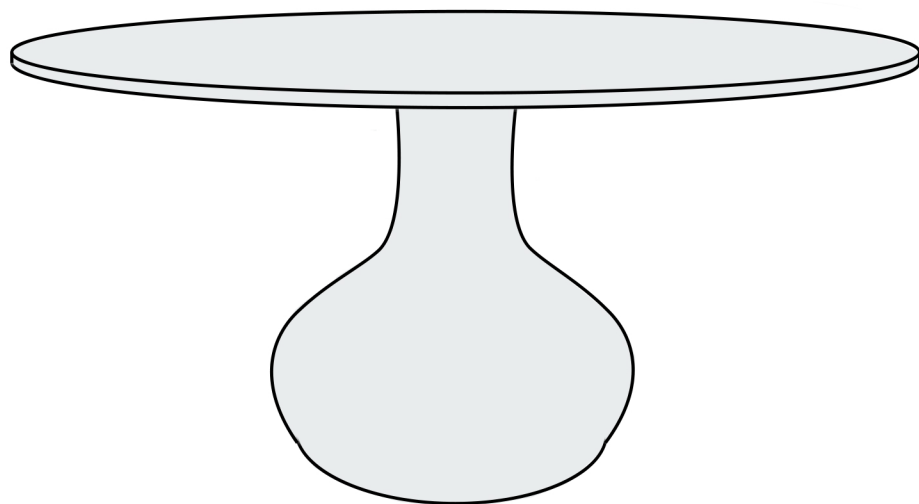
Two people lift the tabletop and place it on the installed base. Match the hole positions of the desktop and the connecting plate.

6



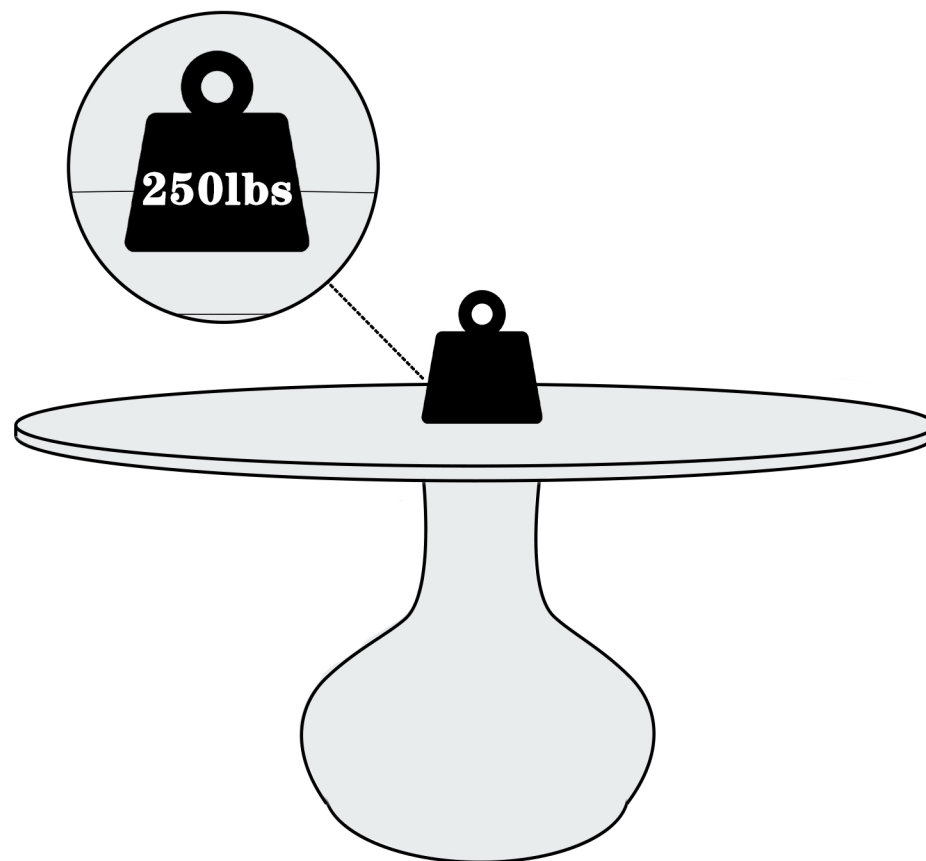
Squat down and tighten the screws corresponding to the holes on the desktop. (If the bottom of table is too dark, it is recommended to use a flashlight to illuminate the hole to help complete it quickly)

7



Assembly is completed. Wish you enjoy the warm dining moments and share happy moments with family and friends!

8



Estimated load-bearing weight in daily use.

Tip:

It is recommended not to lock each screw at first. When you reach the last screw, lock the previous screws that were not fully tightened.