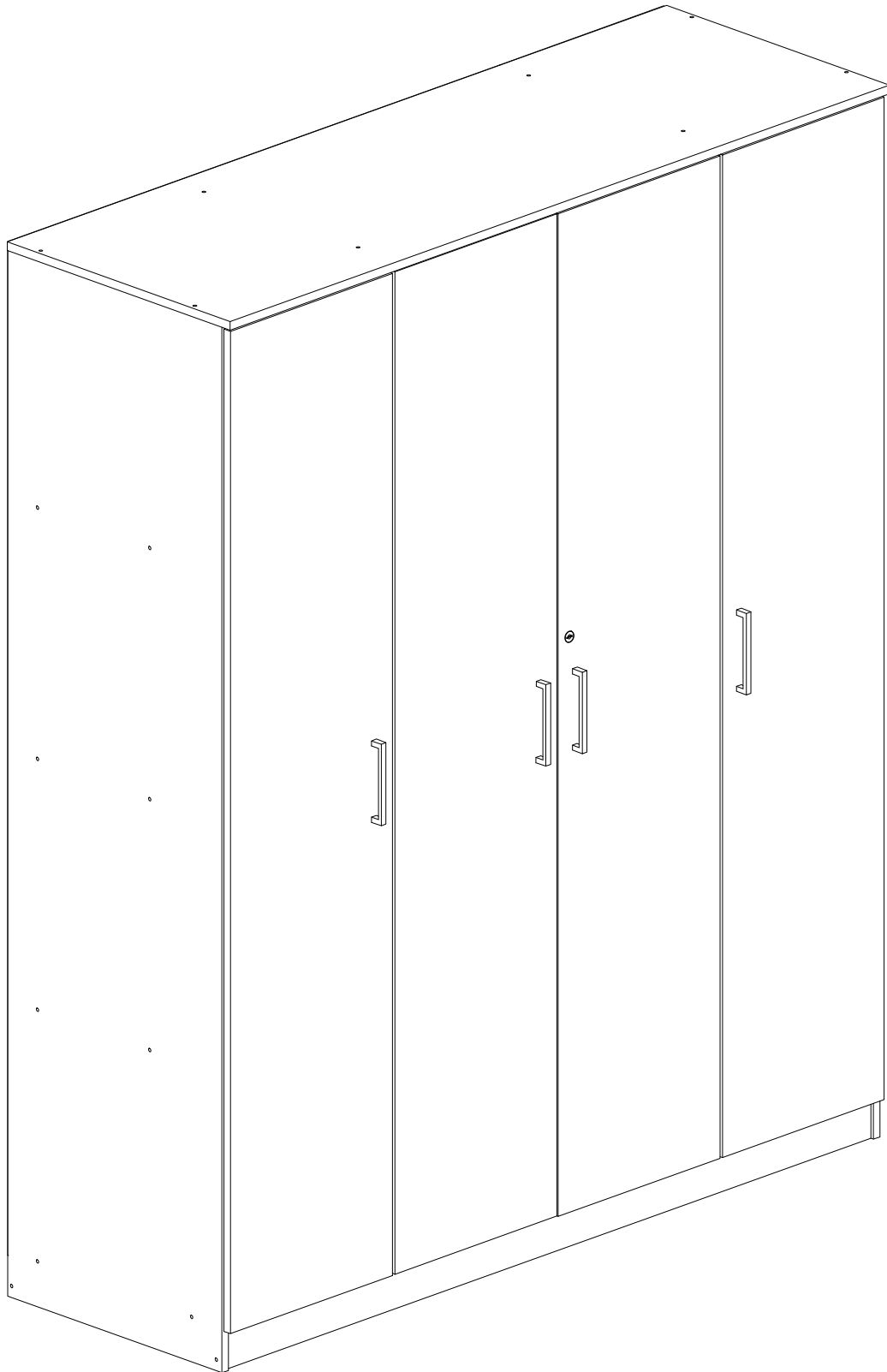
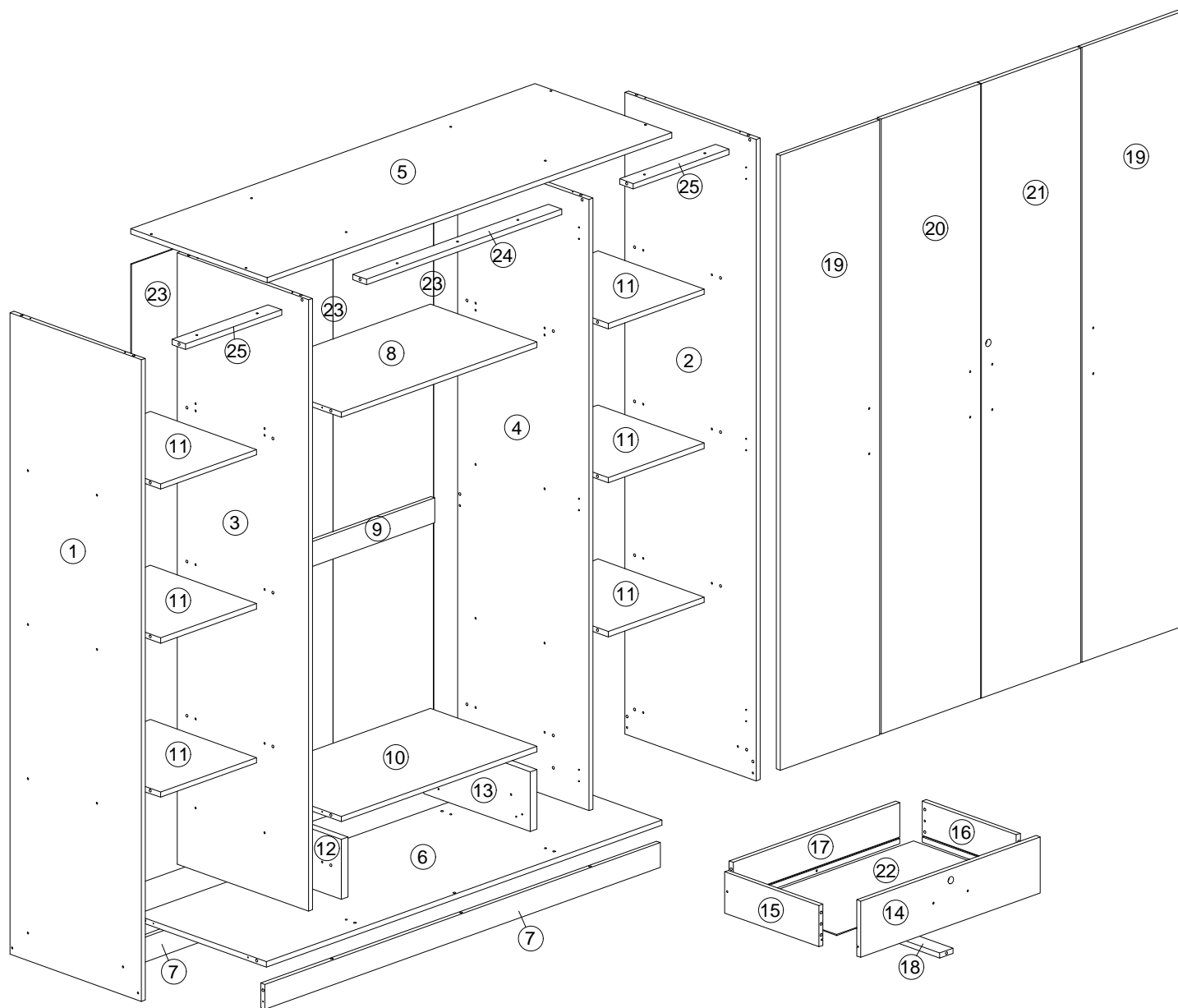


# Assembly Instruction



# Assembly Instruction

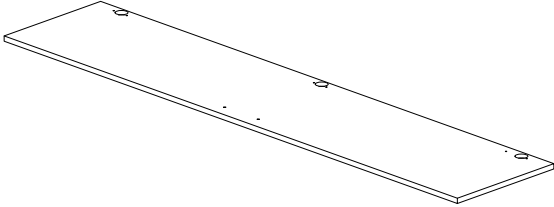
Detail :



# Assembly Instruction

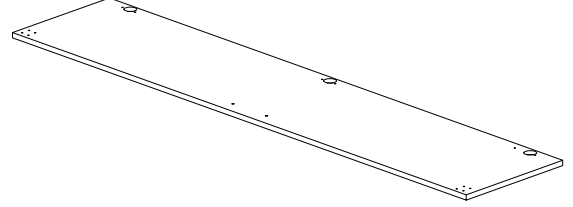
## Part List

①⑨ X 2



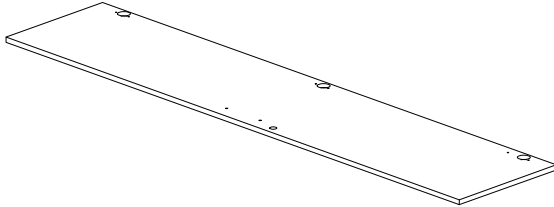
Door Left & Right

②⑩ X 1



Door Center Left

②① X 1

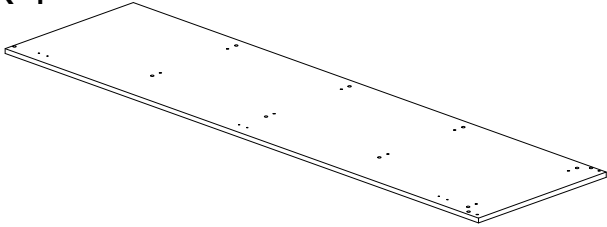


Door Center Right

# Assembly Instruction

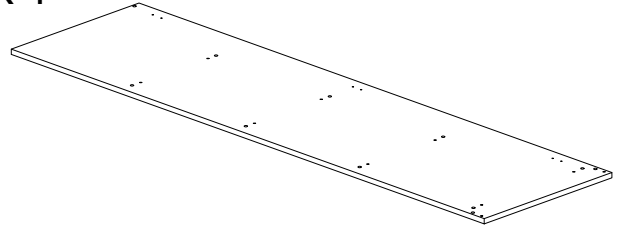
## Part List

① X 1



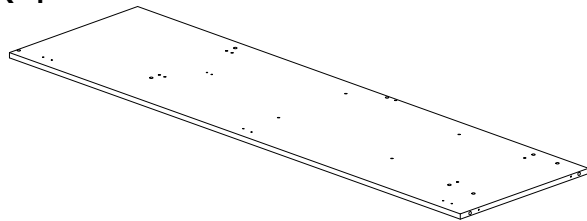
Side Left Panel

② X 1



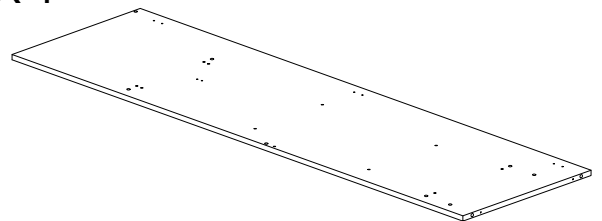
Side Right Panel

③ X 1



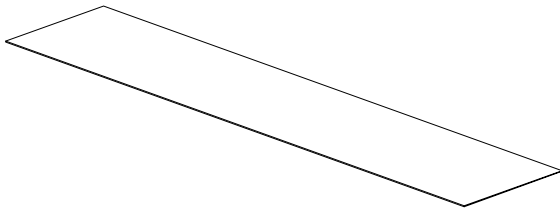
Center Left Panel

④ X 1



Center Right Panel

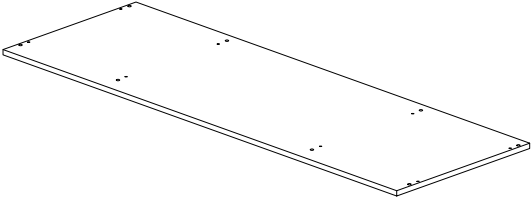
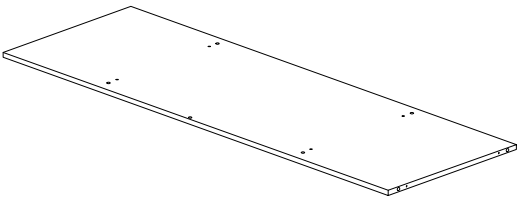
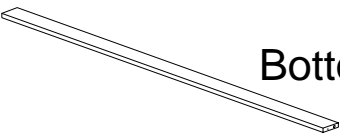
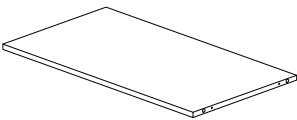

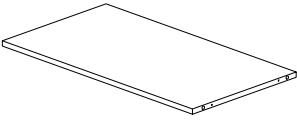
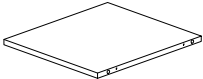
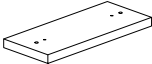
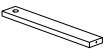
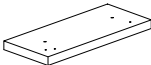

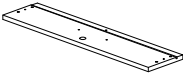

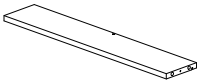
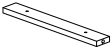
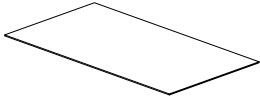
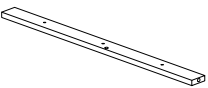
⑳ X 4



Back Panel

# Assembly Instruction

## Part List





<p>⑤ X 1</p>  <p>Top Panel</p>	<p>⑥ X 1</p>  <p>Bottom Panel</p>
<p>⑦ X 2</p>  <p>Bottom Support Panel</p>	<p>⑧ X 1</p>  <p>Partition Big Panel - Up</p>
<p>⑨ X 1</p>  <p>Back Support Panel</p>	<p>⑩ X 2</p>  <p>Partition Big Panel - Down</p>
<p>⑪ X 6</p>  <p>Partition Left &amp; Right Panel</p>	<p>⑫ X 1</p>  <p>Side Panel Inside Left</p>
<p>⑬ X 1</p>  <p>Drawer Support Panel</p>	<p>⑭ X 1</p>  <p>Side Panel Inside Right</p>
<p>⑮ X 1</p>  <p>Drawer Side Left Panel</p>	<p>⑯ X 1</p>  <p>Drawer Front Panel</p>
<p>⑰ X 1</p>  <p>Drawer Side Right Panel</p>	<p>⑱ X 1</p>  <p>Drawer Back Panel</p>
<p>⑲ X 2</p>  <p>Top Support Panel</p>	<p>⑳ X 1</p>  <p>Drawer Bottom Panel</p>
<p>㉑ X 1</p>  <p>Center Support Panel</p>	

# Assembly Instruction

## Hardware List

No.	SHAPE	DESCRIPTION	Qty.
A		8x25mm Dowel	78Pcs
B		15mm Myfix Minifix	3Sets
C		M3.5x16mm Screw	106Pcs
D		M4x45mm Screw	57Pcs
E		V Bracket	2Pcs
F		Handle KT1010.128 Black	5Pcs
G		M4x28mm Screw	17Pcs
H		M4x32mm Screw	4Pcs
I		Hinges 2/8	12Pcs
J		5/8 Nail With Pin	8Pcs
K		6/8 Power Pin	50Pcs
L		Drawer Lock	2Pcs
M		Drawer Lock Support H10.9	1Pc
N		Furniture Bolt	2Pcs
O		Aluminium Pipe(719mm)	1Pc
P		Drawer Slide (350mm)	1Set
Q		Sticker	20Pcs

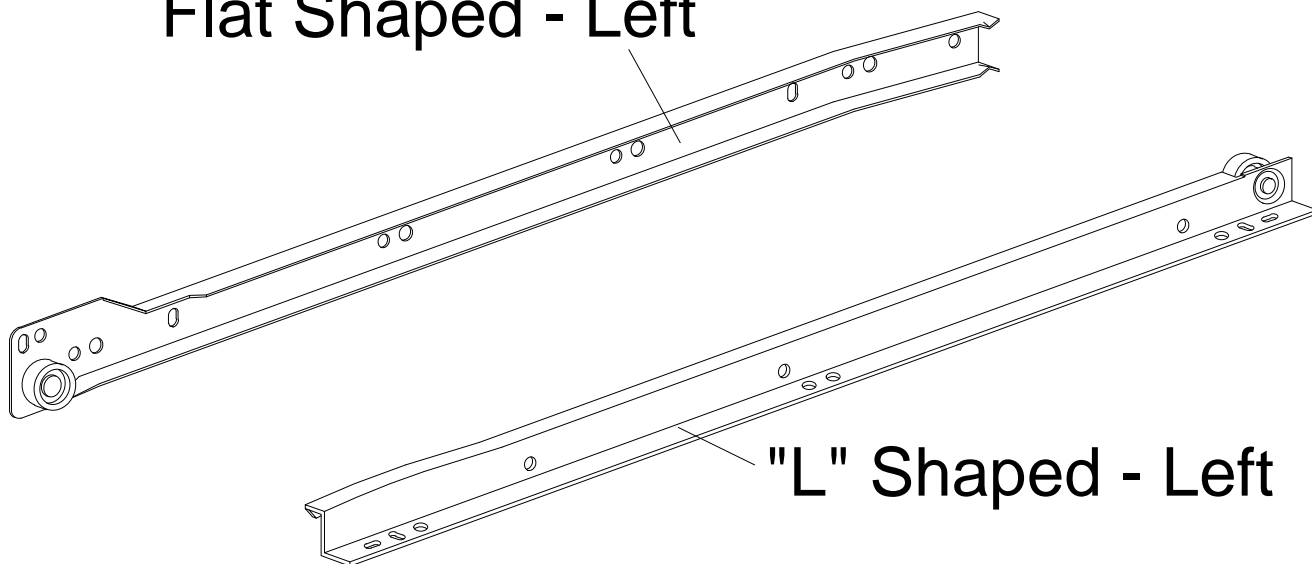
## Anti Tipping Hardware (WF303317)

No.	SHAPE	DESCRIPTION	Qty.
a		Mounting Bracket	2Pcs
b		TP 6# x 5/8" Screw	1Pc
c		TP 8# x 2" Screw	1Pc
d		Restraint Strap	1Pc

# Assembly Instruction

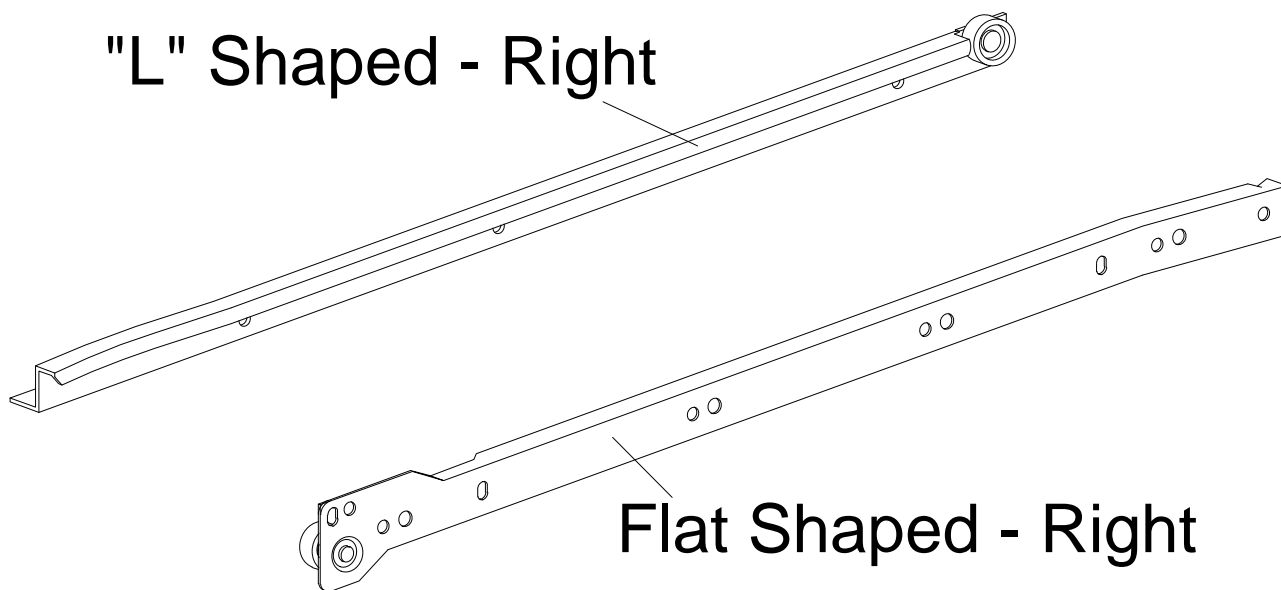
## Left Drawer Silde (P)

Flat Shaped - Left



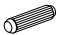
## Right Drawer Silde (P)

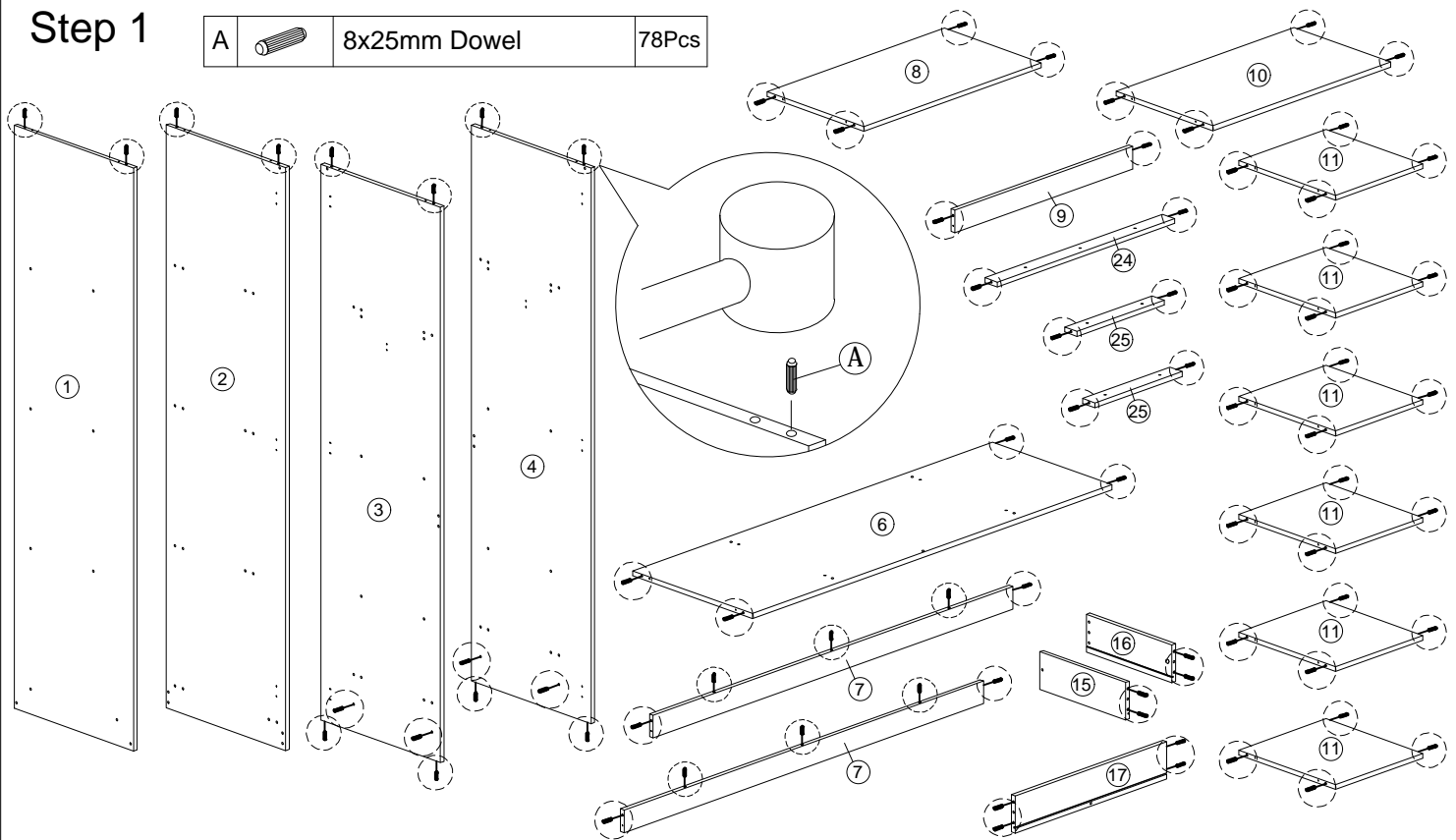
"L" Shaped - Right



# Assembly Instruction

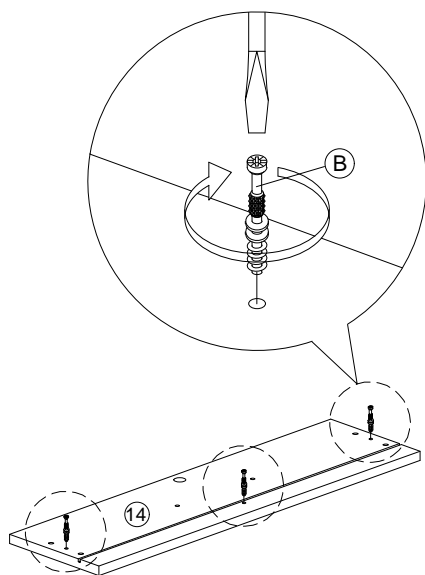
## Step 1

A		8x25mm Dowel	78Pcs
---	---	--------------	-------




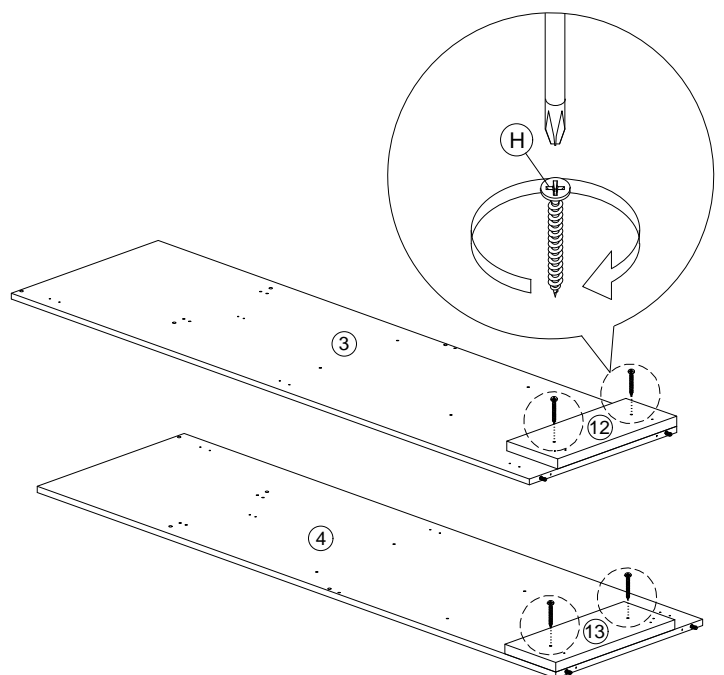
## Step 2

B		Myfix	3Pcs
---	---	-------	------





## Step 3

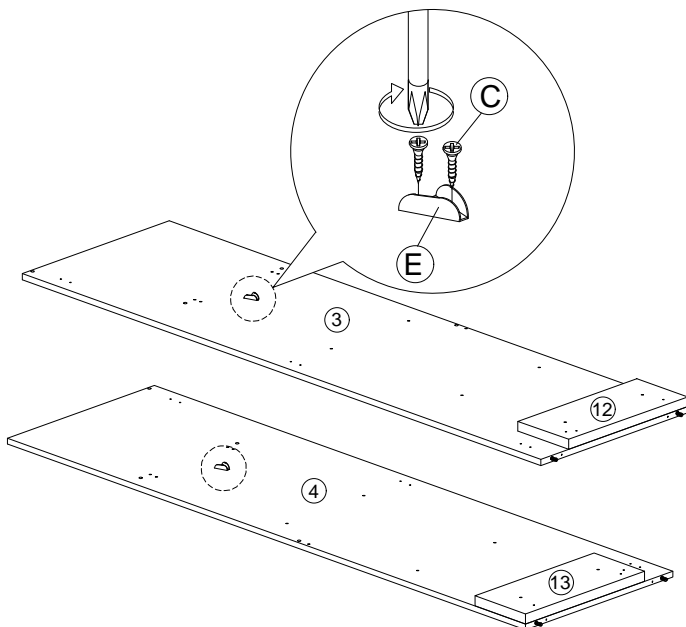
H		M4x32mm Screw	4Pcs
---	---	---------------	------



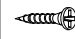

# Assembly Instruction

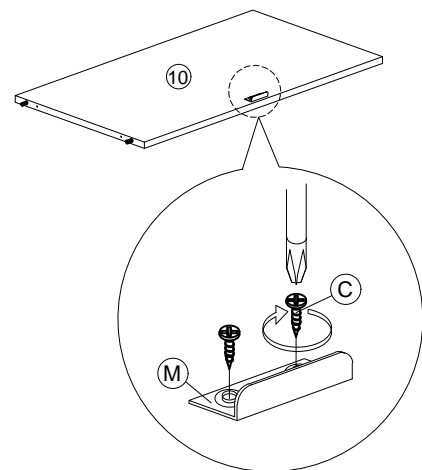
## Step 4

C		M3.5x16mm Screw	4Pcs
E		V Bracket	2Pcs





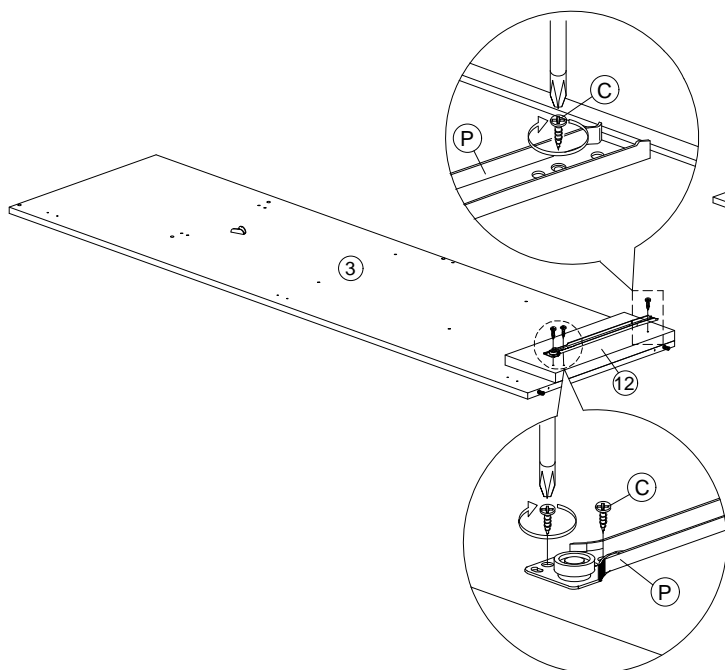
## Step 5


C		M3.5x16mm Screw	2Pcs
M		Drawer Lock Support H10.9	1Pc

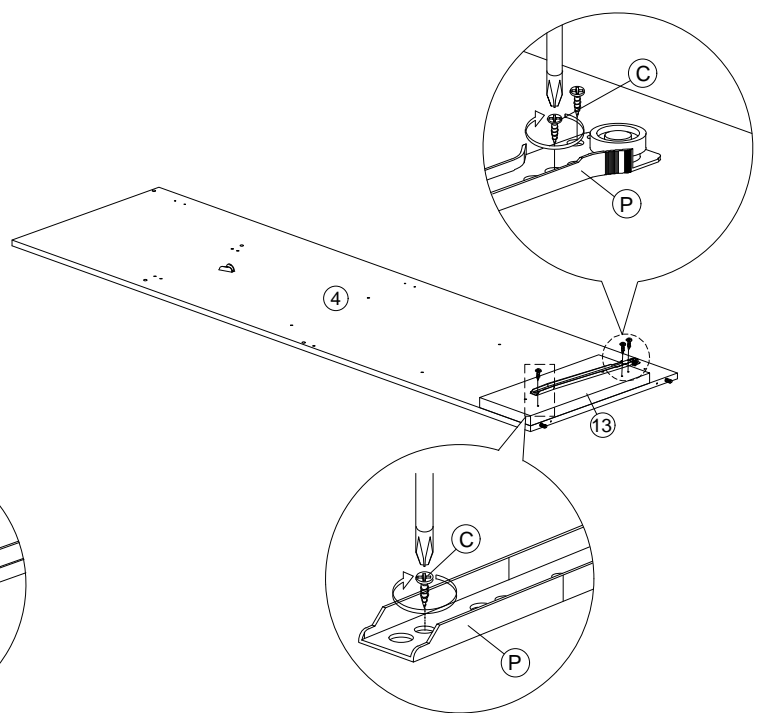


## Step 6

C		M3.5x16mm Screw	6Pcs
P		Drawer Slide 350 - R	1Pc




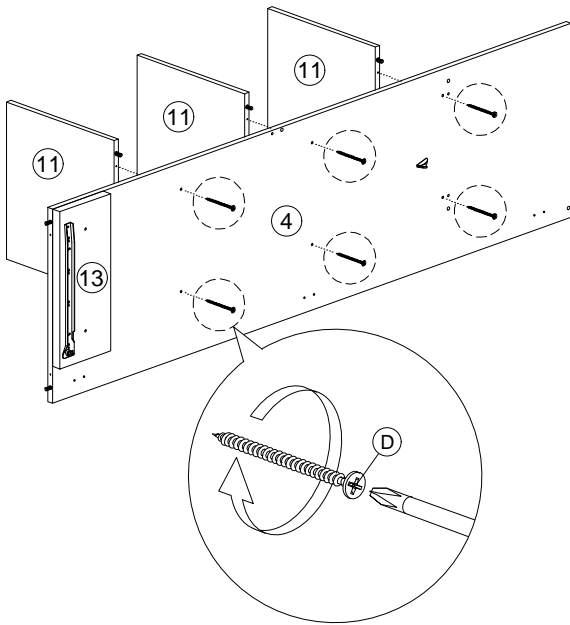
P		Drawer Slide 350 - L	1Pc
---	---	----------------------	-----




# Assembly Instruction

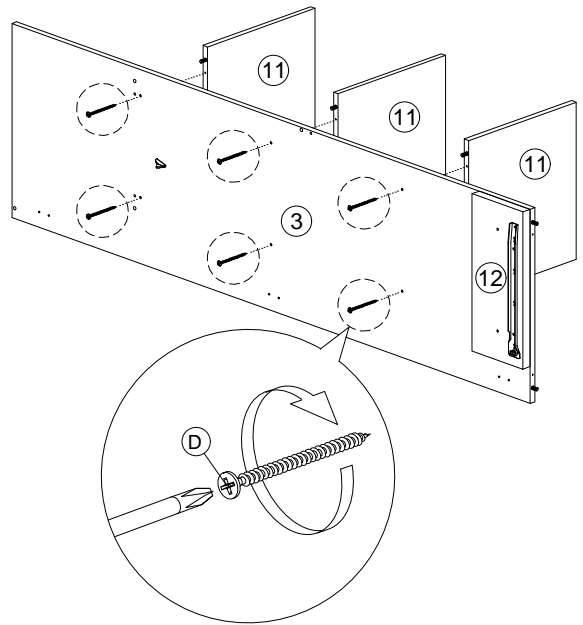
Step 7

D  M4x45mm Screw 6Pcs




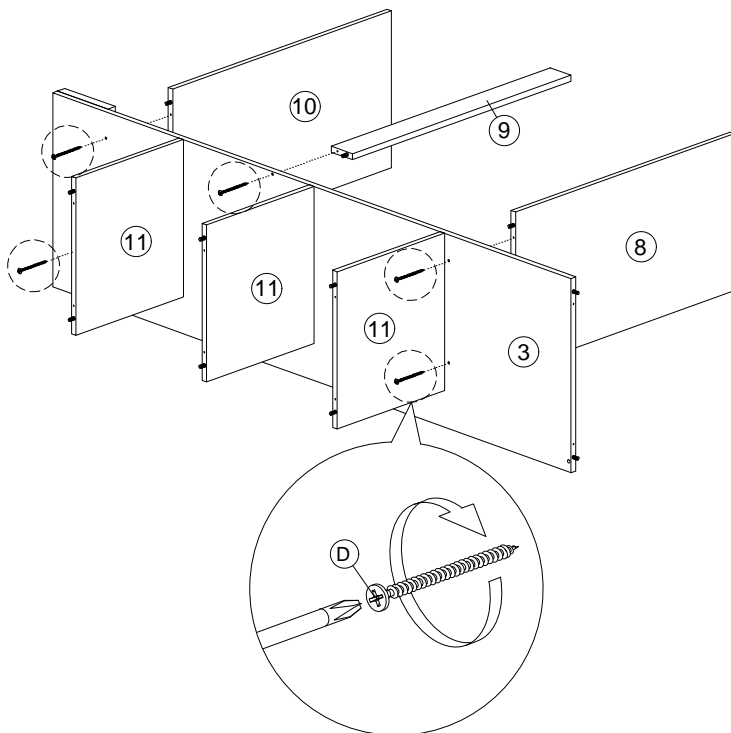
Step 8

D  M4x45mm Screw 6Pcs




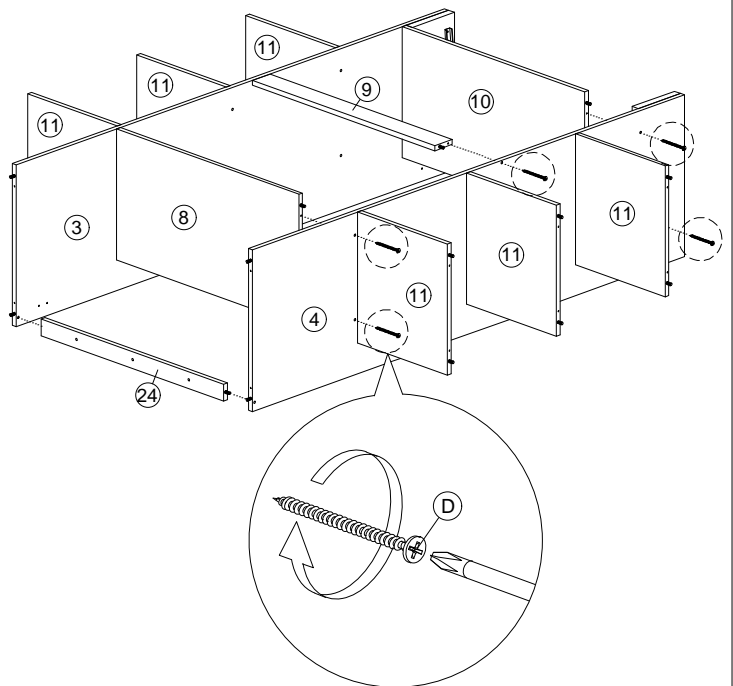
Step 9

D  M4x45mm Screw 5Pcs




Step 10

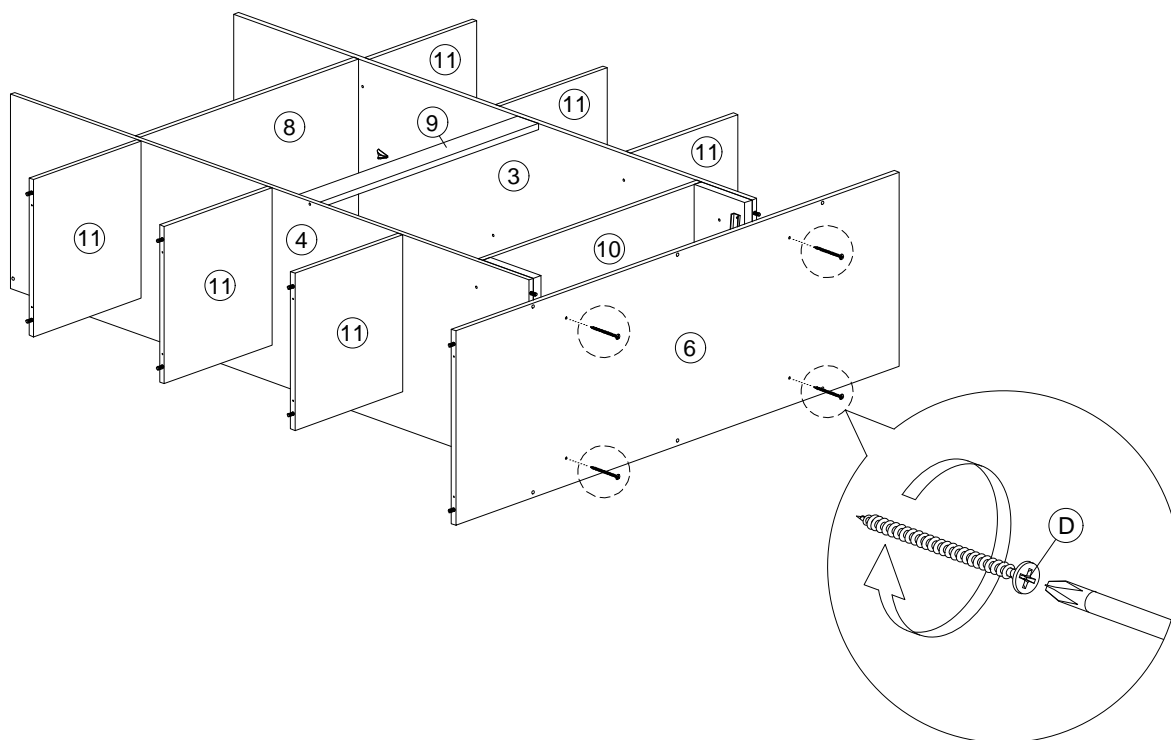
D  M4x45mm Screw 5Pcs



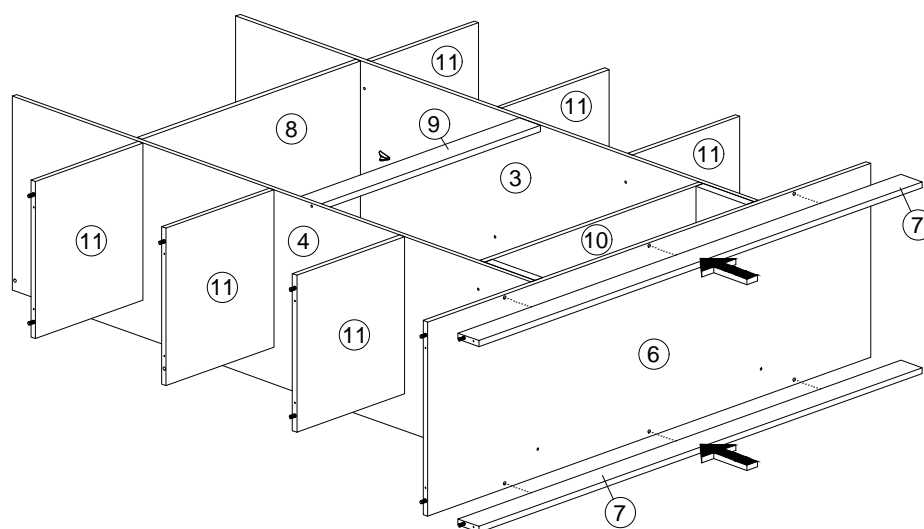
# Assembly Instruction

Step 11

D		M4x45mm Screw	4Pcs
---	---	---------------	------




Step 12

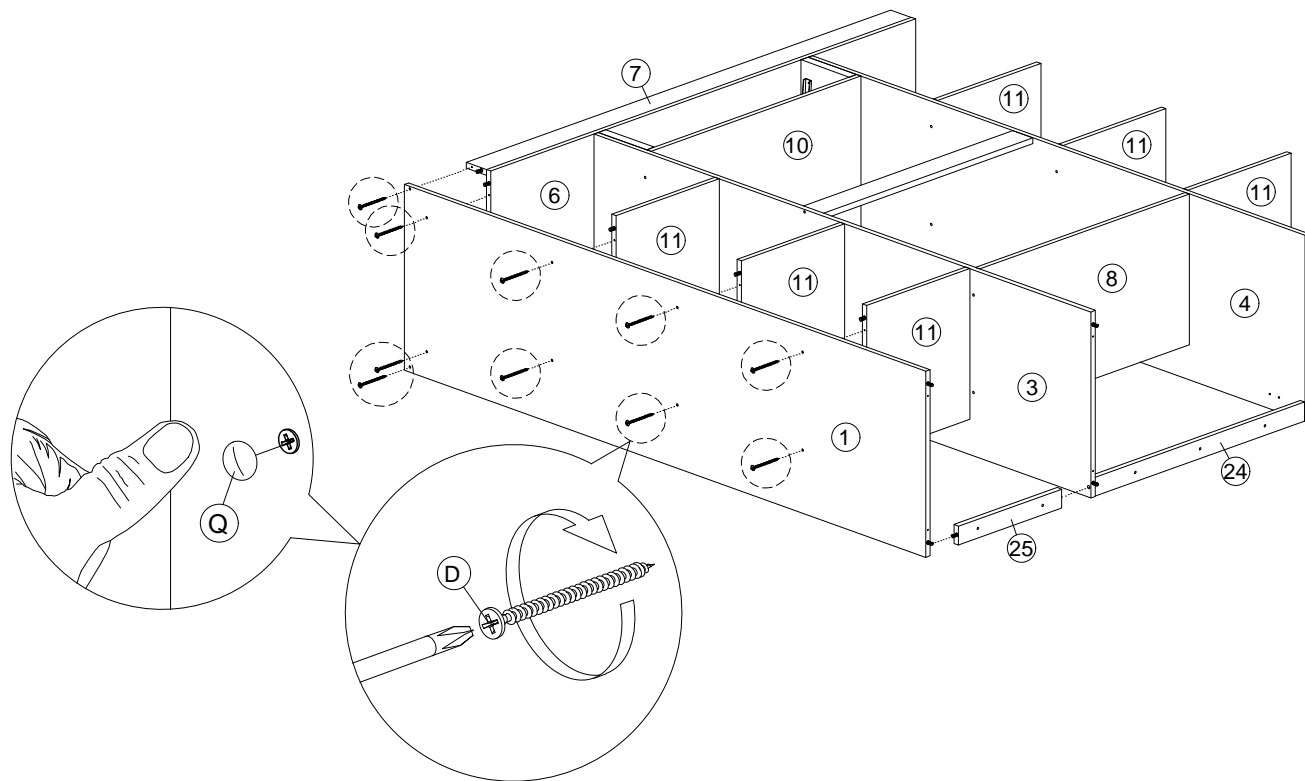


# Assembly Instruction


## Step 13

D		M4x45mm Screw	10Pcs
---	---	---------------	-------

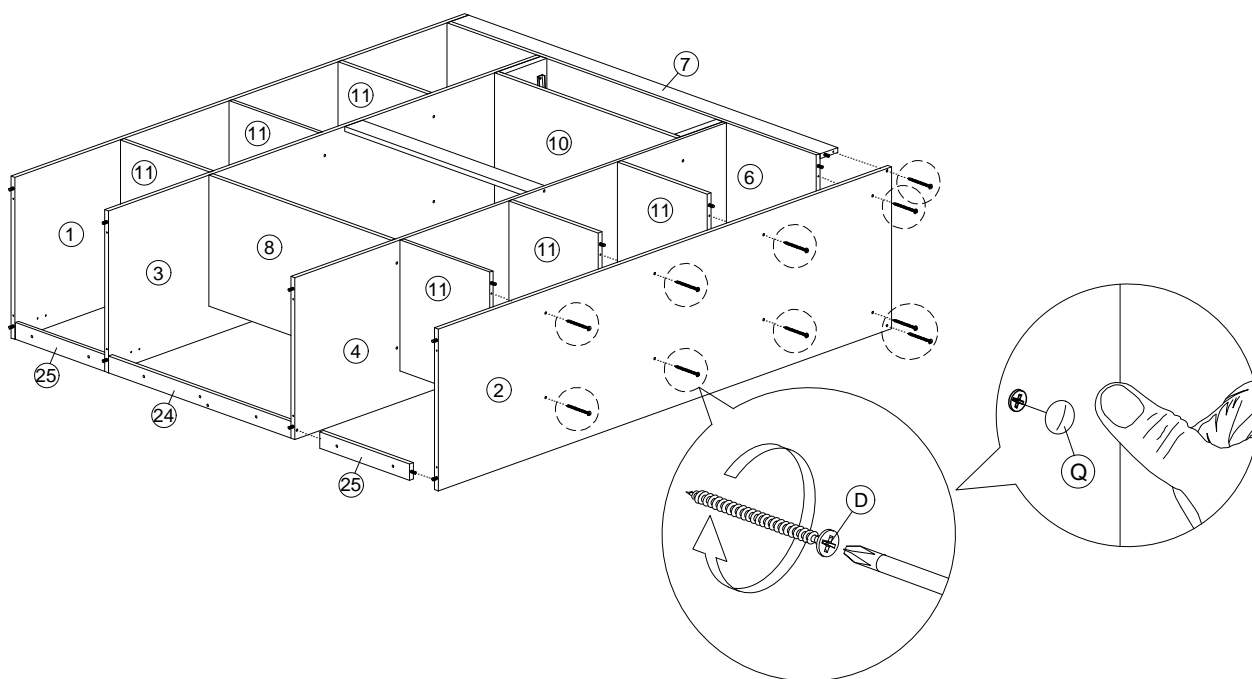
Q		Sticker	10Pcs
---	---	---------	-------



## Step 14


D		M4x45mm Screw	10Pcs
---	---	---------------	-------

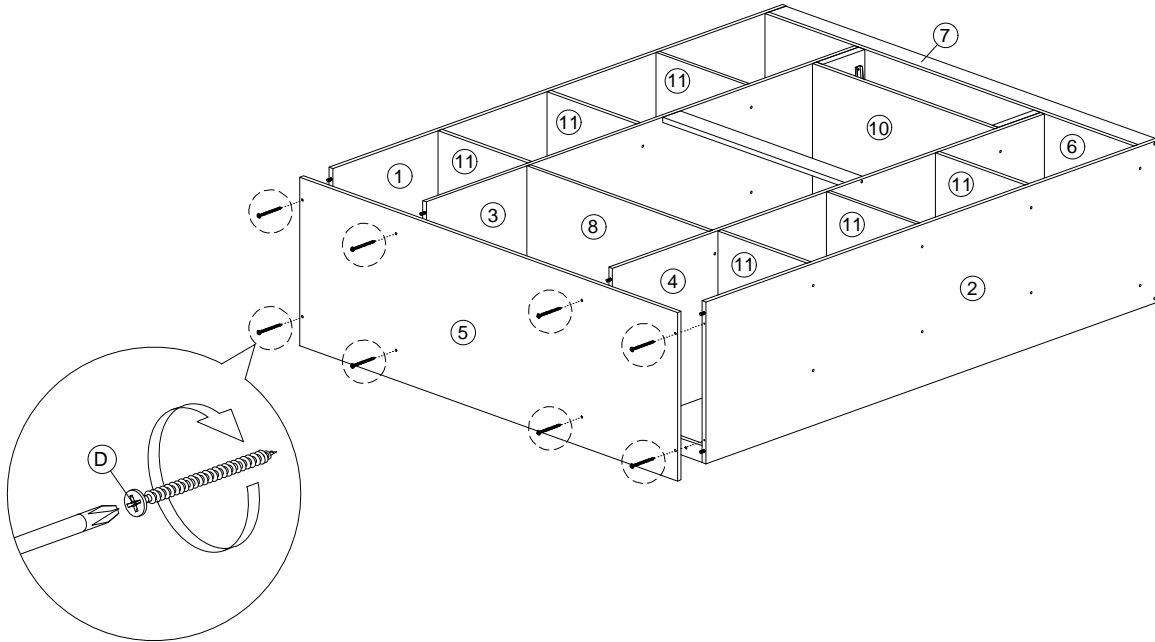
Q		Sticker	10Pcs
---	---	---------	-------




# Assembly Instruction

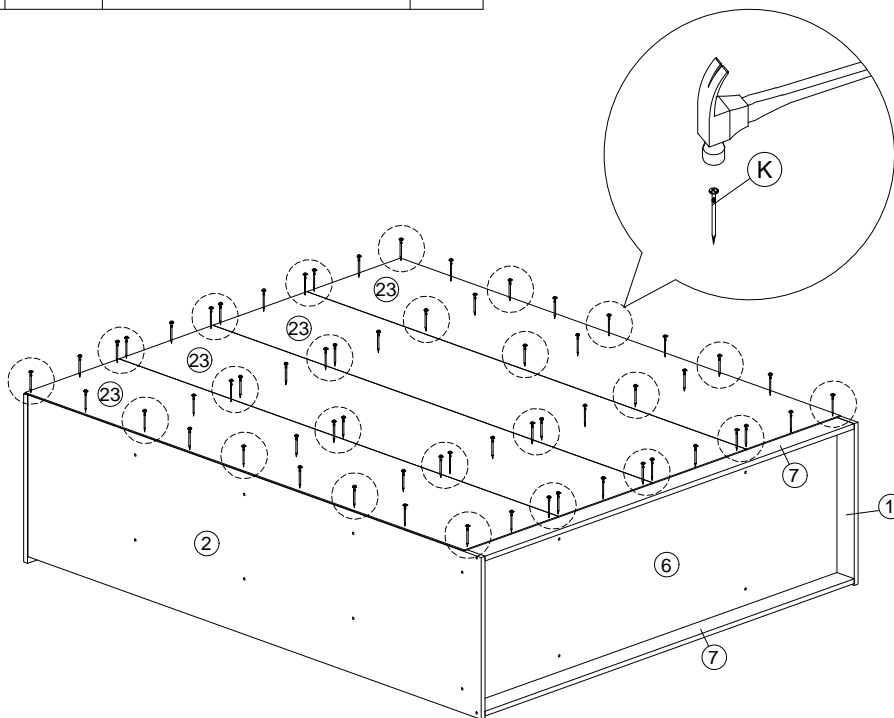
Step 15

D		M4x45mm Screw	8Pcs
---	---	---------------	------



Step 16

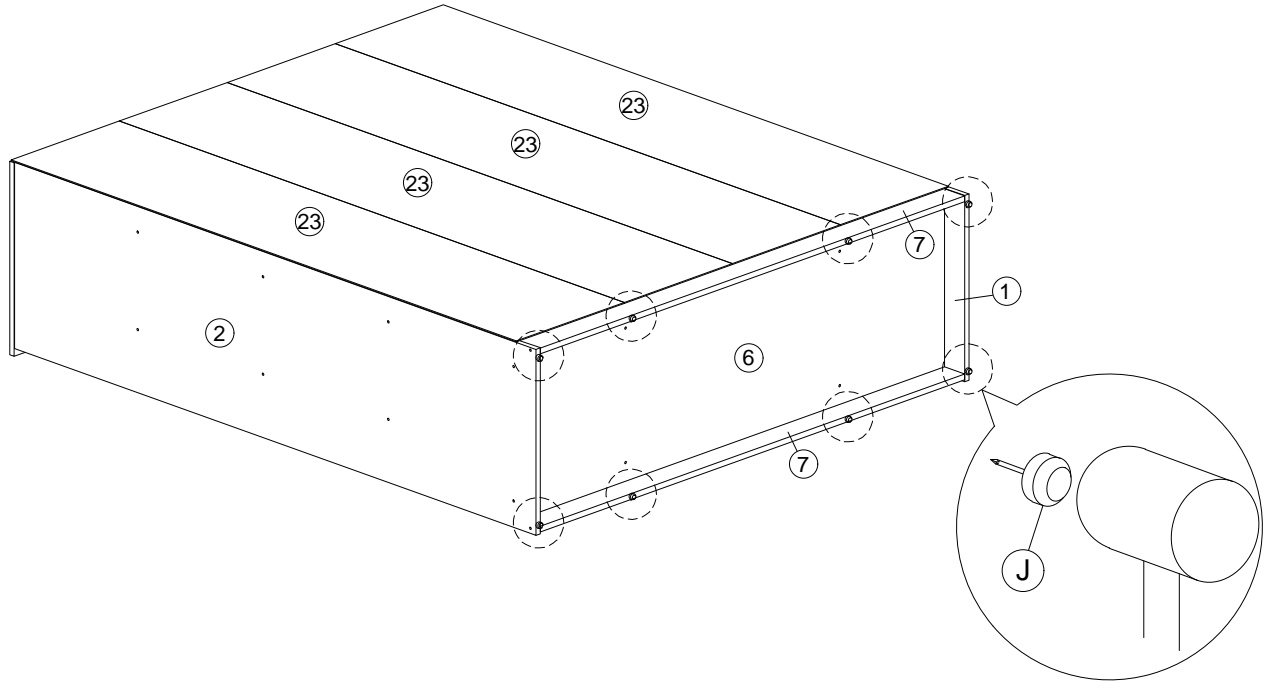
K		6/8 Power Pin	50Pcs
---	---	---------------	-------




# Assembly Instruction

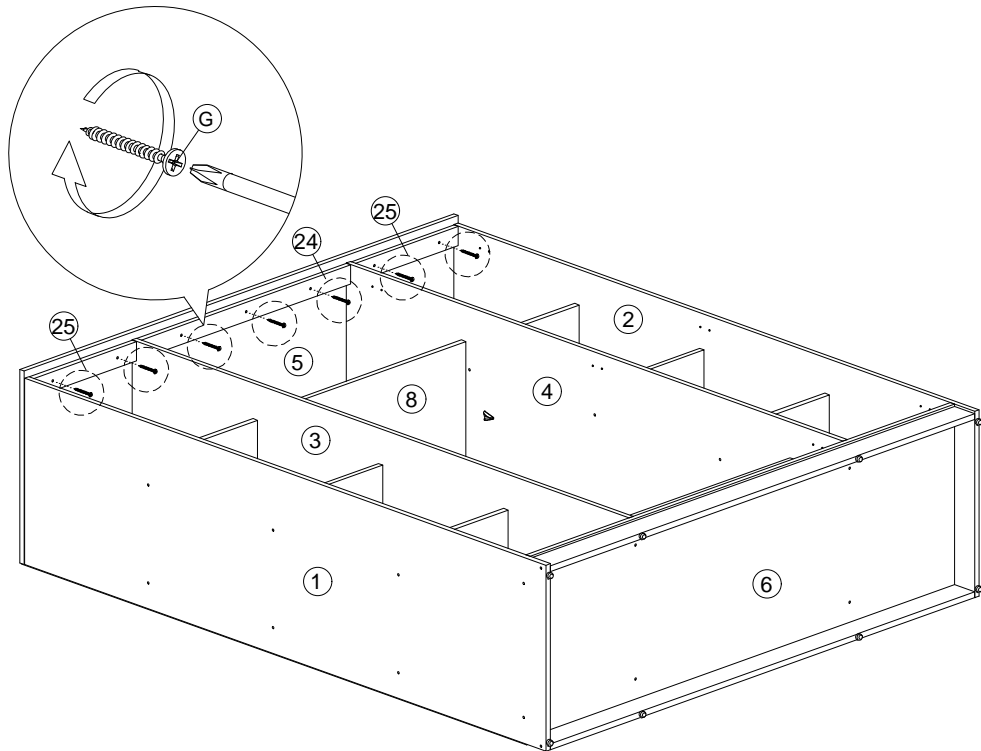
Step 17

J		5/8 Nail With Pin	8Pcs
---	---	-------------------	------




Step 18

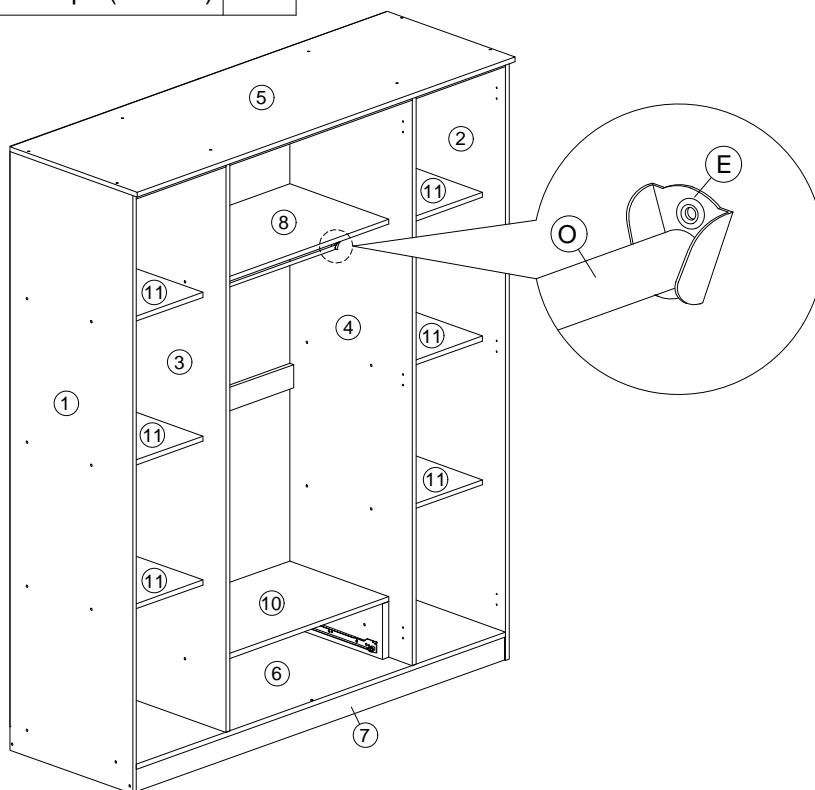
G		M4x28mm Screw	7Pcs
---	---	---------------	------



# Assembly Instruction

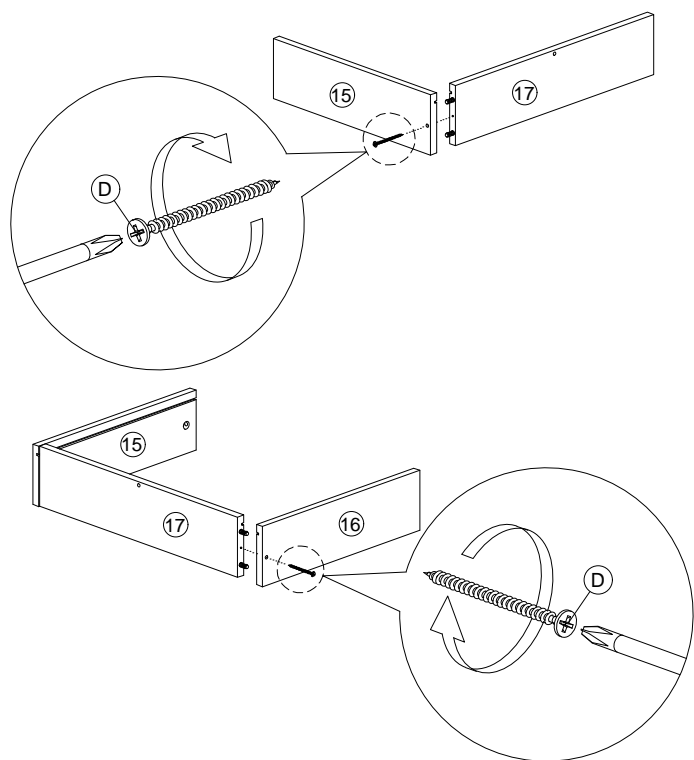
Step 19

O  Aluminium Pipe (719mm) 1Pc



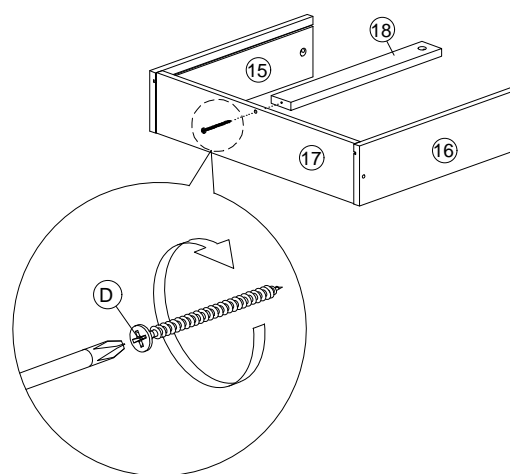
Step 20

D  M4x45mm Screw 2Pcs



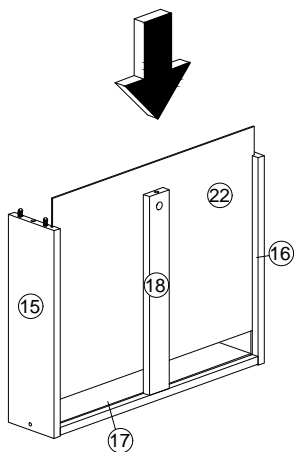
Step 21

D  M4x45mm Screw 1Pc



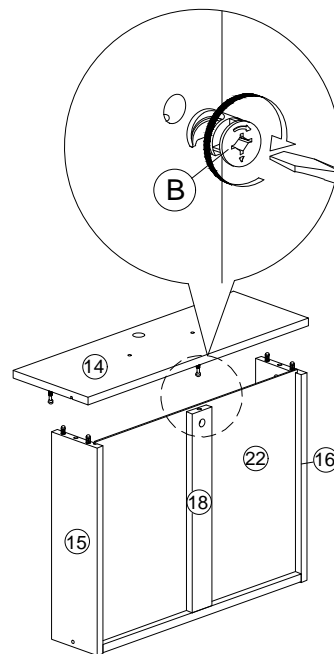
# Assembly Instruction

## Step 22



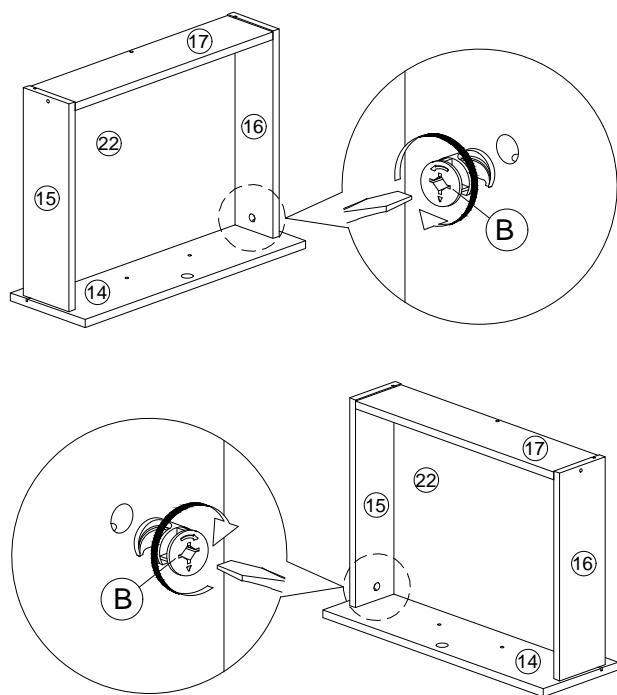
## Step 23

B		Minifix	1Pc
---	---	---------	-----





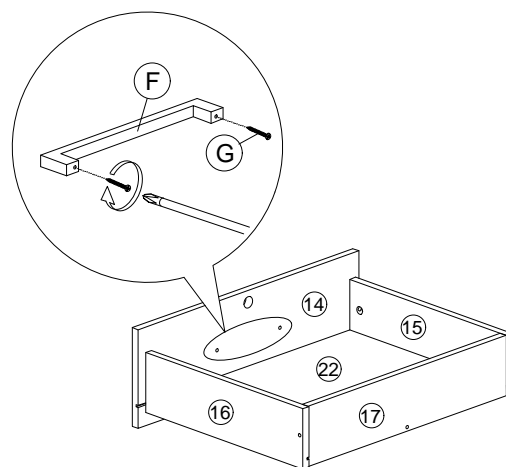
## Step 24

B		Minifix	2Pcs
---	---	---------	------





## Step 25

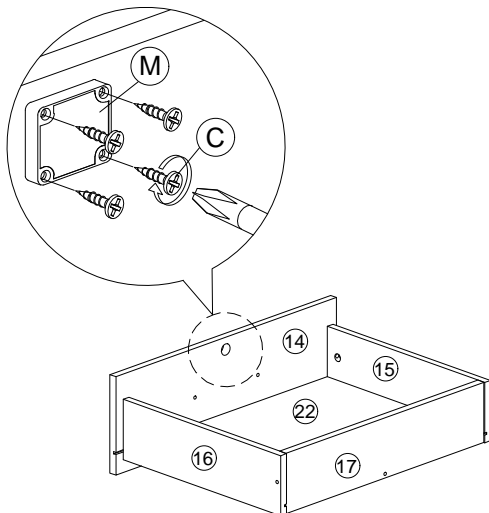
F		Handle KT1010.128 Black	1Pc
G		M4x28mm Screw	2Pcs





# Assembly Instruction

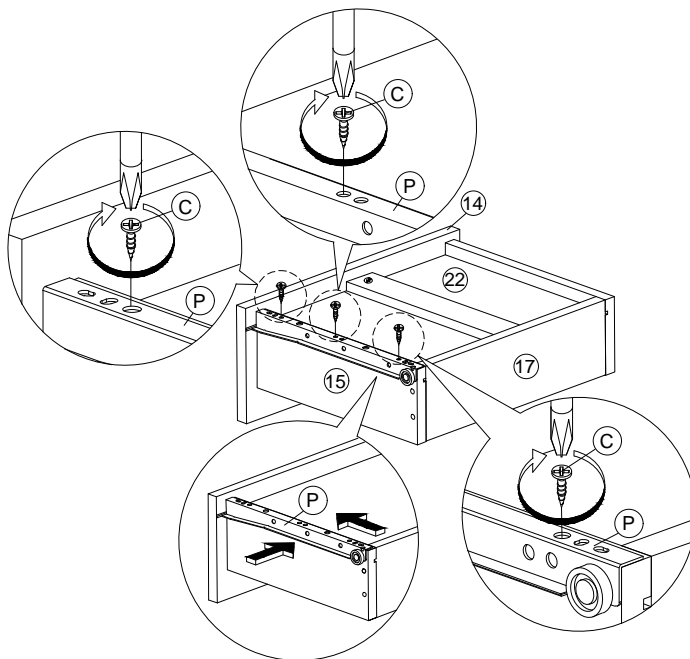
## Step 26

C		M3.5x16mm Screw	4Pcs
M		Drawer Lock	1Pc





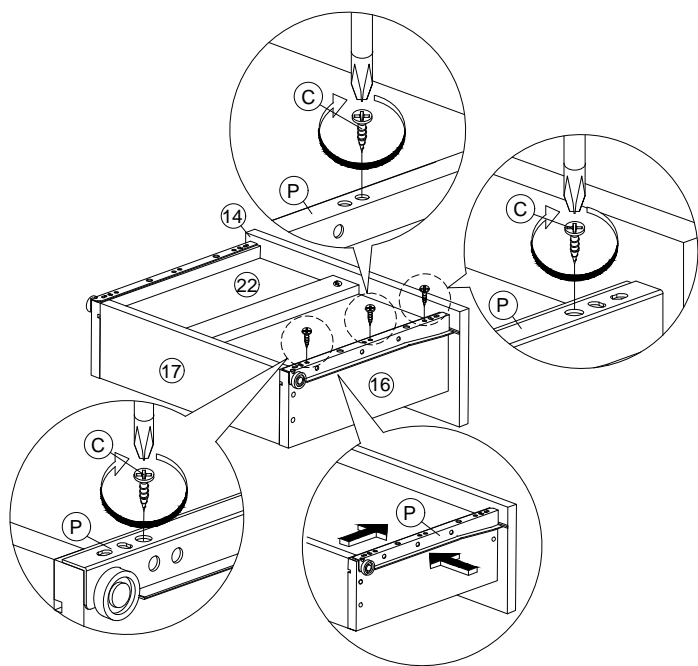
## Step 27

C		M3.5x16mm Screw	3Pcs
P		Drawer Slide 350 - R	1Pc

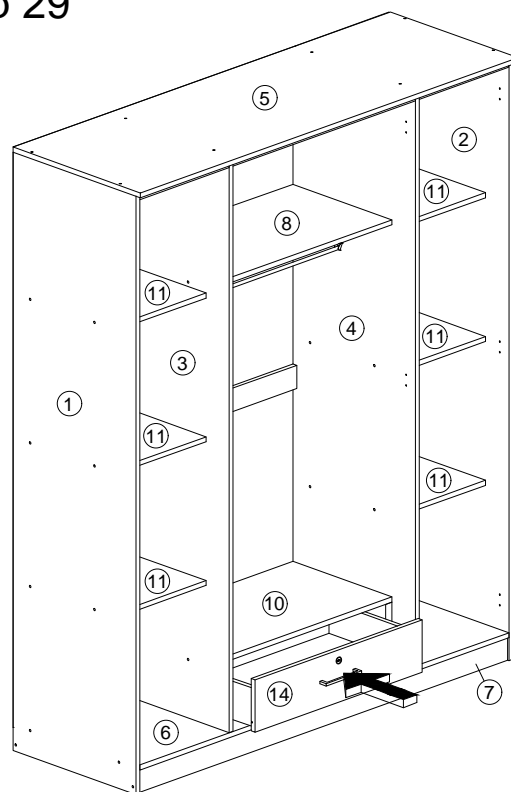


## Step 28

C		M3.5x16mm Screw	3Pcs
P		Drawer Slide 350 - L	1Pc

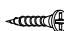



## Step 29

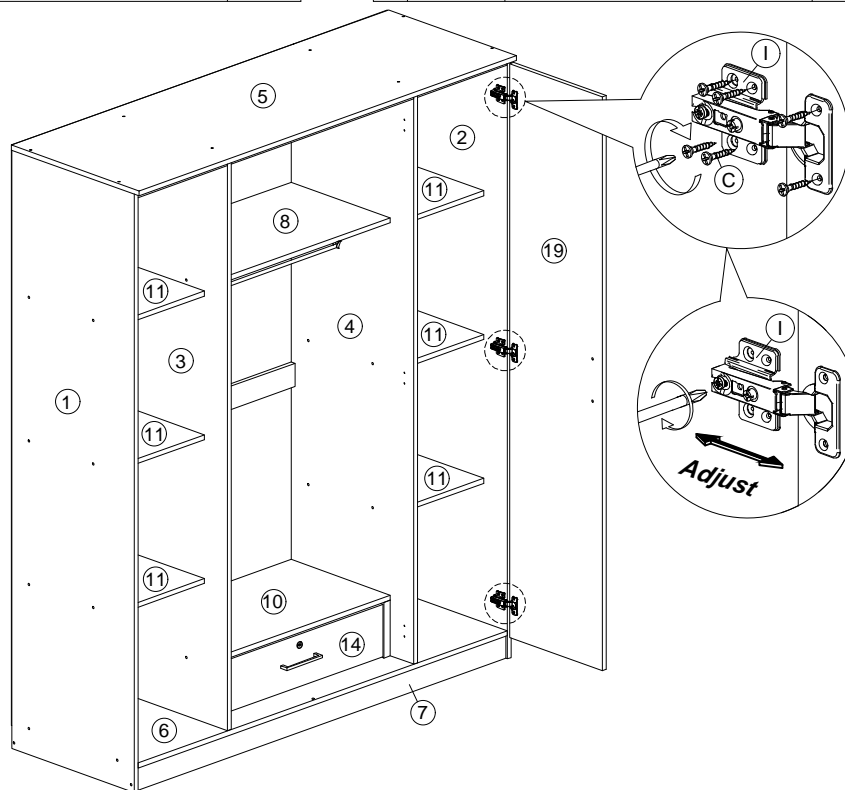


# Assembly Instruction


Step 30


C		M3.5x16mm Screw	18Pcs
---	---	-----------------	-------

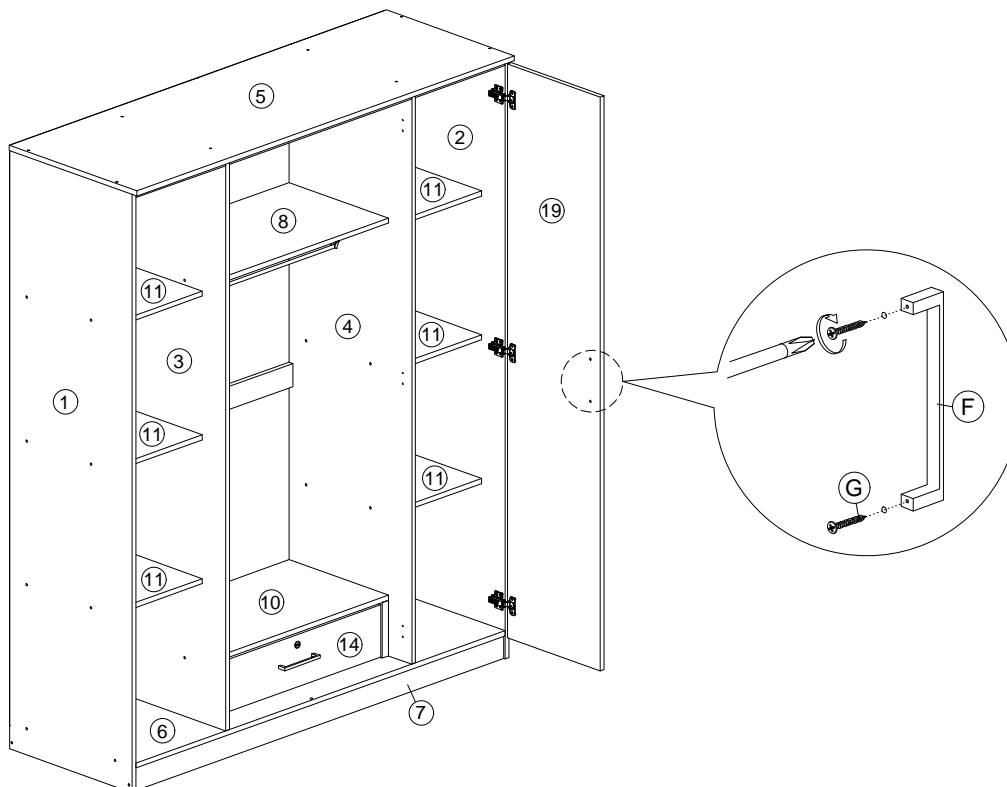
I		Hinges 2/8	3Pcs
---	---	------------	------



Step 31

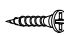
F		Handle KT1010.128 Black	1Pc
---	---	-------------------------	-----


G		M4x28mm Screw	2Pcs
---	---	---------------	------

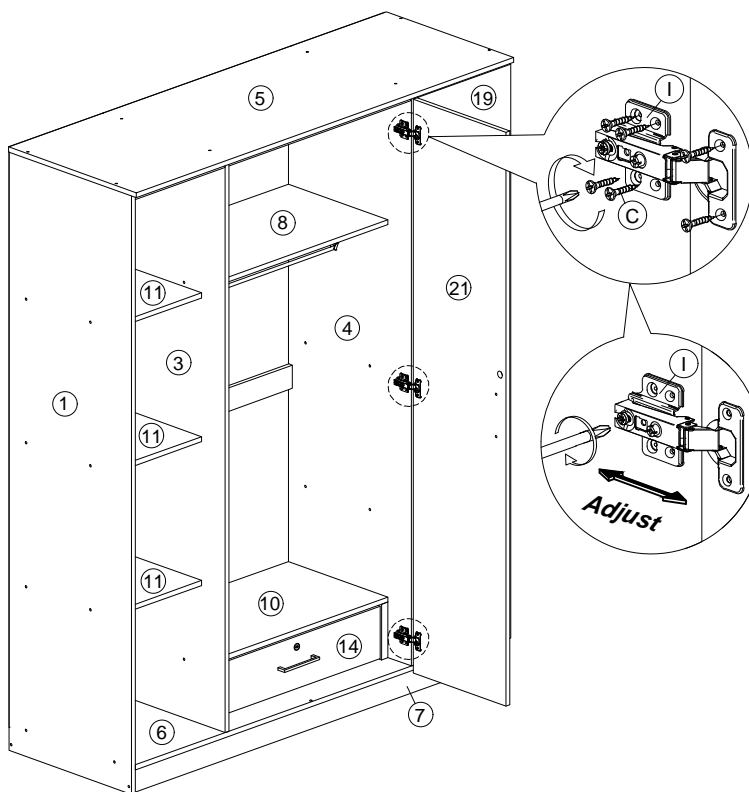


# Assembly Instruction

Step 32


C		M3.5x16mm Screw	18Pcs
---	---	-----------------	-------

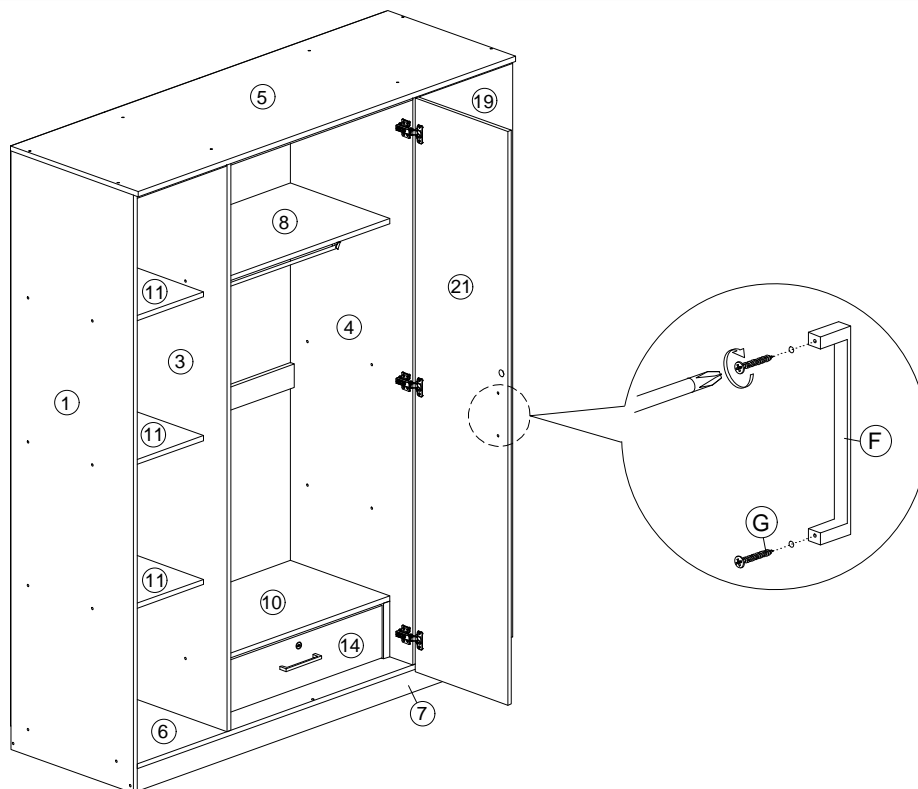
I		Hinges 2/8	3Pcs
---	---	------------	------



Step 33

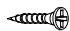
F		Handle KT1010.128 Black	1Pc
---	---	-------------------------	-----


G		M4x28mm Screw	2Pcs
---	---	---------------	------

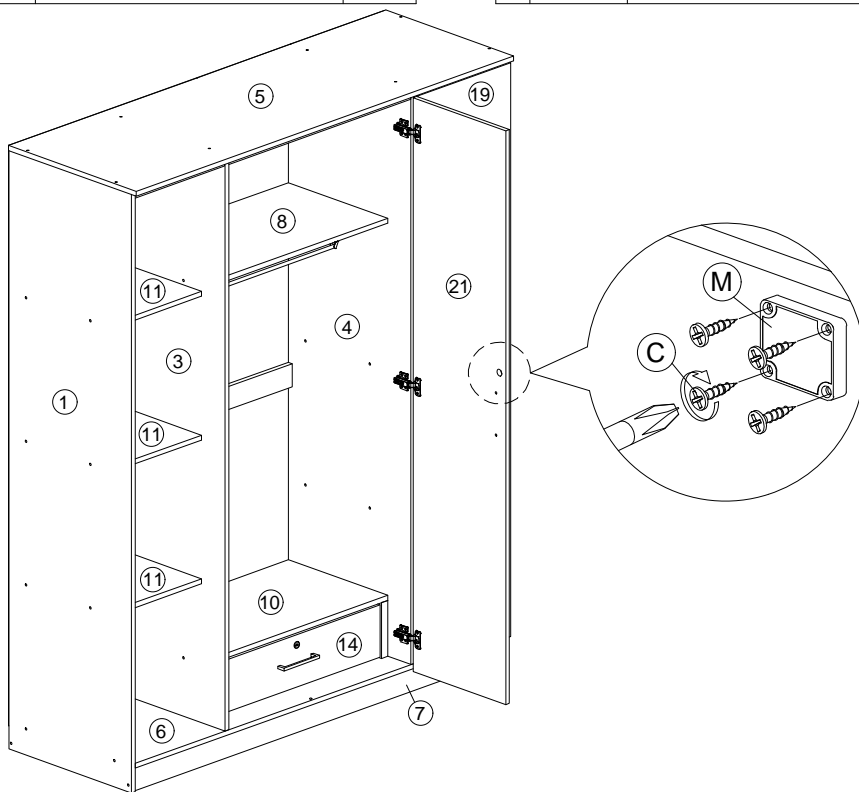


# Assembly Instruction

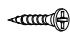
Step 34


C		M3.5x16mm Screw	4Pcs
---	---	-----------------	------

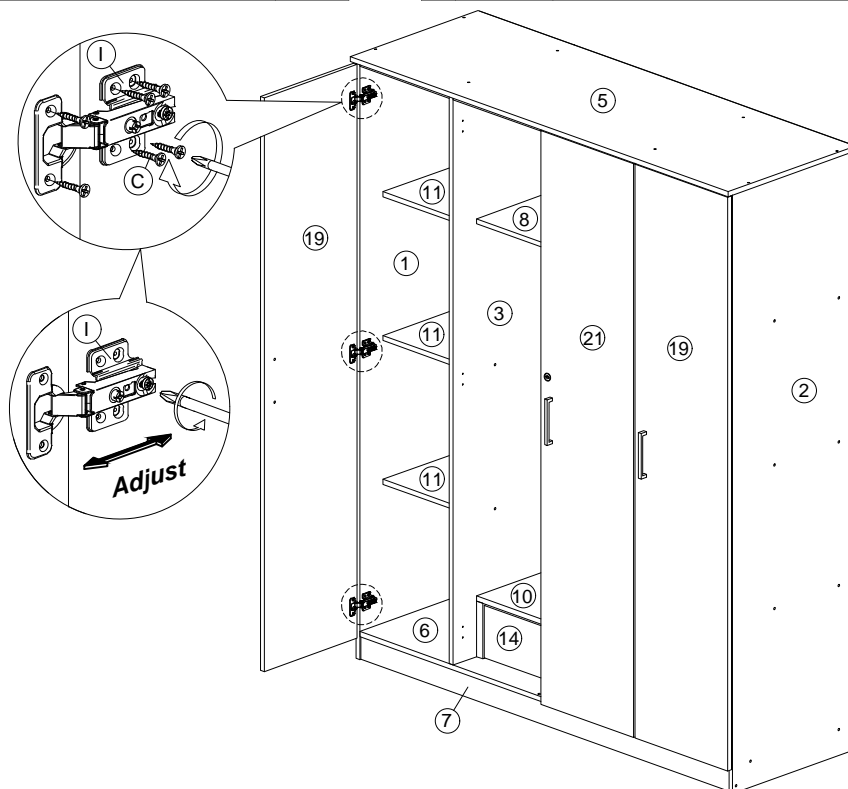
M		Drawer Lock	1Pc
---	---	-------------	-----



Step 35


C		M3.5x16mm Screw	18Pcs
---	---	-----------------	-------


I		Hinges 2/8	3Pcs
---	---	------------	------

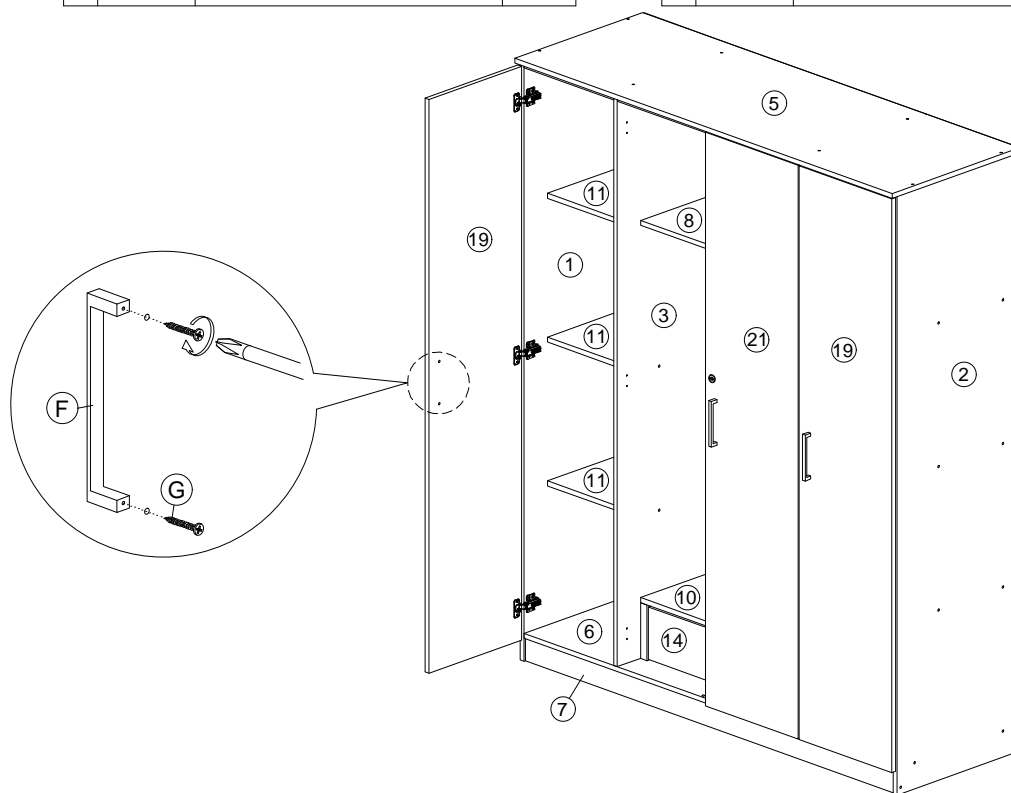


# Assembly Instruction


Step 36


F  Handle KT1010.128 Black 1Pc

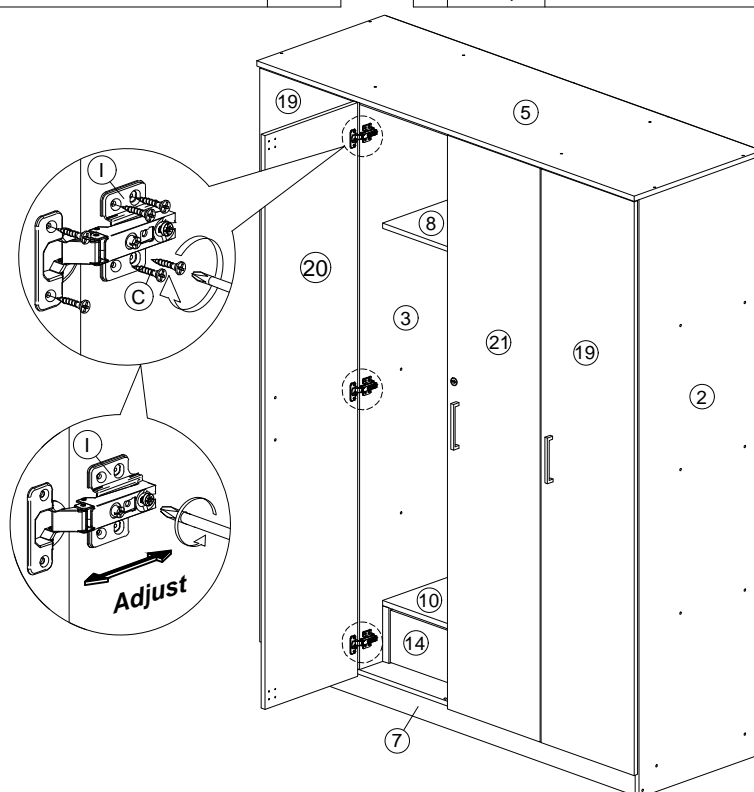
G  M4x28mm Screw 2Pcs



Step 37


C  M3.5x16mm Screw 18Pcs


I  Hinges 2/8 3Pcs

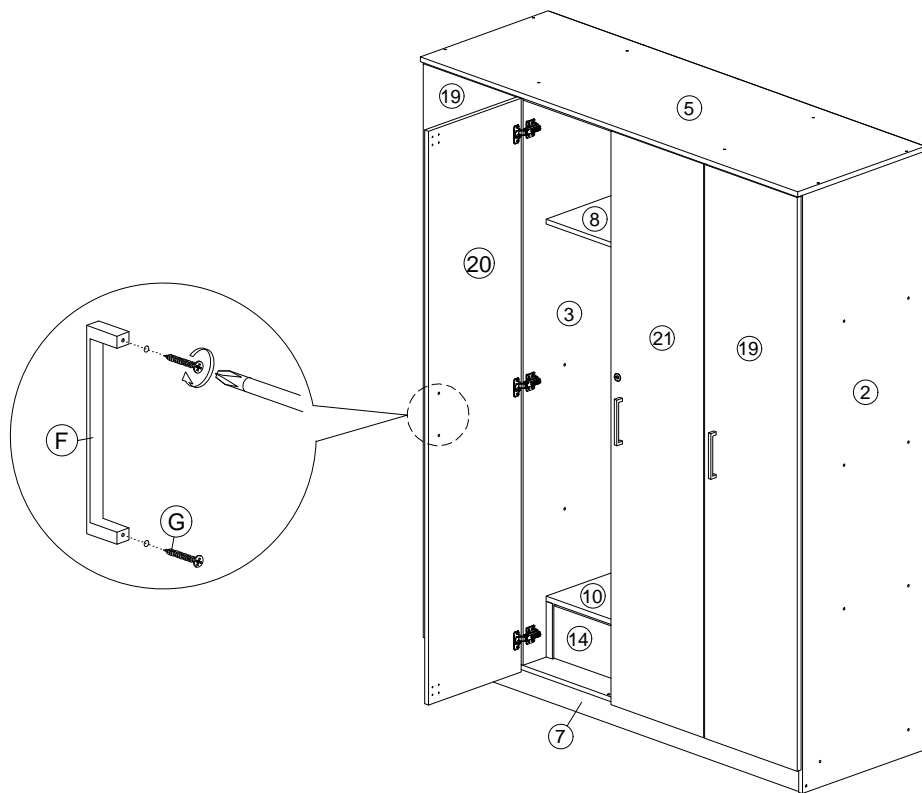


# Assembly Instruction

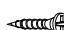
Step 38


F  Handle KT1010.128 Black 1Pc

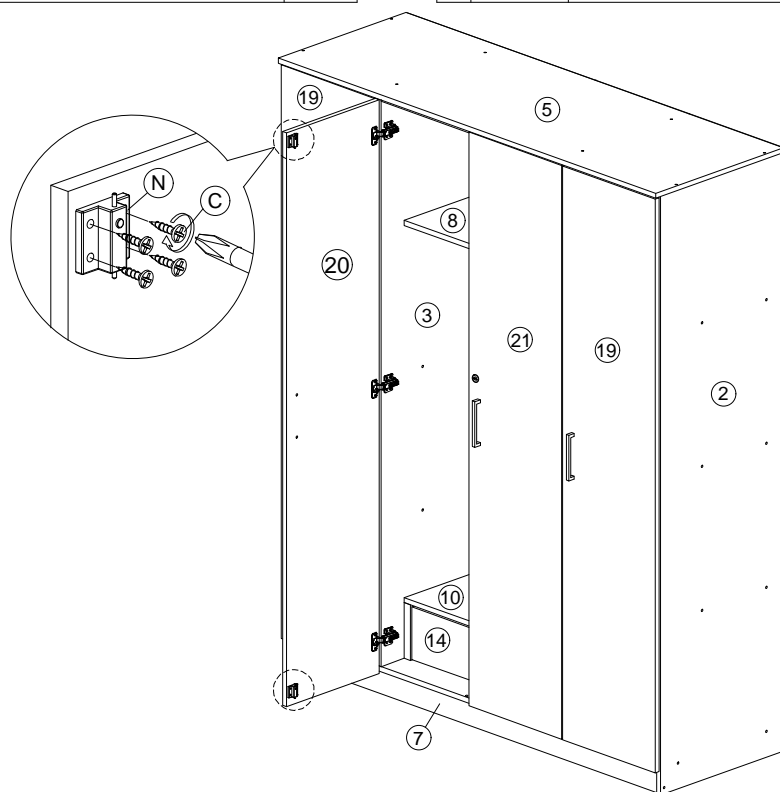
G  M4x28mm Screw 2Pcs



Step 39

C  M3.5x16mm Screw 8Pcs

N  Furniture Bolt 2Pcs



# FITTING OF ANTI-TIP SAFETY STRAP

## STEP 1:

- Attach the mounting bracket (a) to the furniture in the solid part below the top panel a few inches away from the side of the unit.
- Screw (b) through the smallest hole of (a).

## STEP 2:

- Locate a stud in behind the have to
- Place the other mounting bracket (a) on the wall stud 2 inches below the mounting bracket secured to the back of your unit.
- Attach to the wall stud using (c) through the smaller hole of (a).

## STEP 3:

- Repeat the same step a few inches away from the other side of the unit.
- Place the furniture into position so both mounting brackets are vertically in line.
- Lace the end of the restraint strap through the larger holes in each mounting bracket.
- Secure the straps and lock into place.

