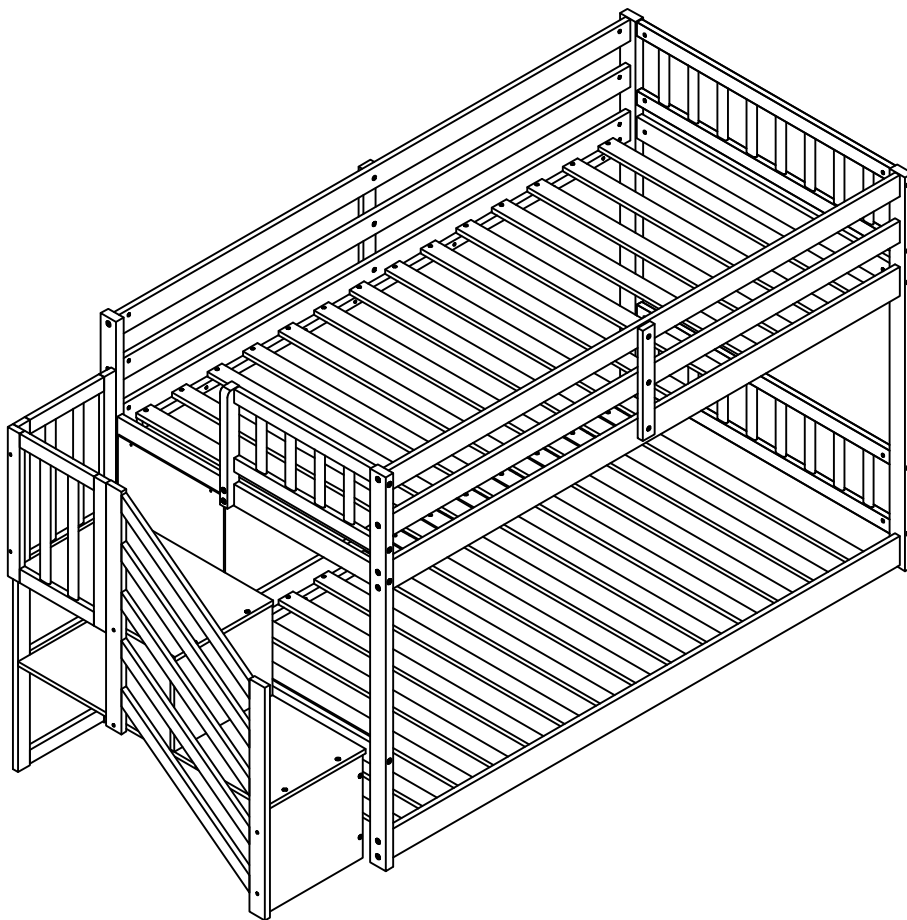


# ASSEMBLY INSTRUCTIONS

## TWIN/TWIN BUNK BED



This set is included 2 boxes if don't receive full 2 boxes please contact our customer service team.

## SAFETY WARNINGS AND GENERAL NOTES :

Follow the information on the warnings on the bunk bed end structure and on the carton. Do not remove the warning label from the bed. Always use the recommended size mattress on mattress support, or both, to help prevent the likelihood of entrapment or falls.

The top surface of the mattress must be at least 5\*inch (127mm) below the upper edge of the guardrail.

Do not allow children under 6 years of age to use the upper bunk.

Periodically check and ensure the guardrail, ladder and other components are in their proper position, free from damage, and all connectors are tight.

Do not allow horseplay on or under beds.

Always prohibit jumping on the bed.

Prohibit more than one person on upper bunk.

Always use the ladder for entering and leaving the upper bunk.

Do not use substitute parts. Contact the manufacturer or dealer for replacement parts.

Use of a night-tight may provide added safety precaution for a child using the upper bunk.

Always use guardrails on both long sides of the upper bunk.

If the bunk bed will be placed next to a wall, the guardrail that runs the full length of the bed should be placed against the wall to prevent entrapment between the bed and the wall.

The use of water or sleep flotation mattresses is prohibited.

**STRANGULATION HAZARD**-Never attach or hang items to any part of the bunk bed that are not designed for use with the bed.

Keep these instructions for future reference.

We recommend assembling your bunk bed on the shipping carton to protect your floor or carpet.

Be certain all staples are out of the box before beginning assembly on the shipping carton.

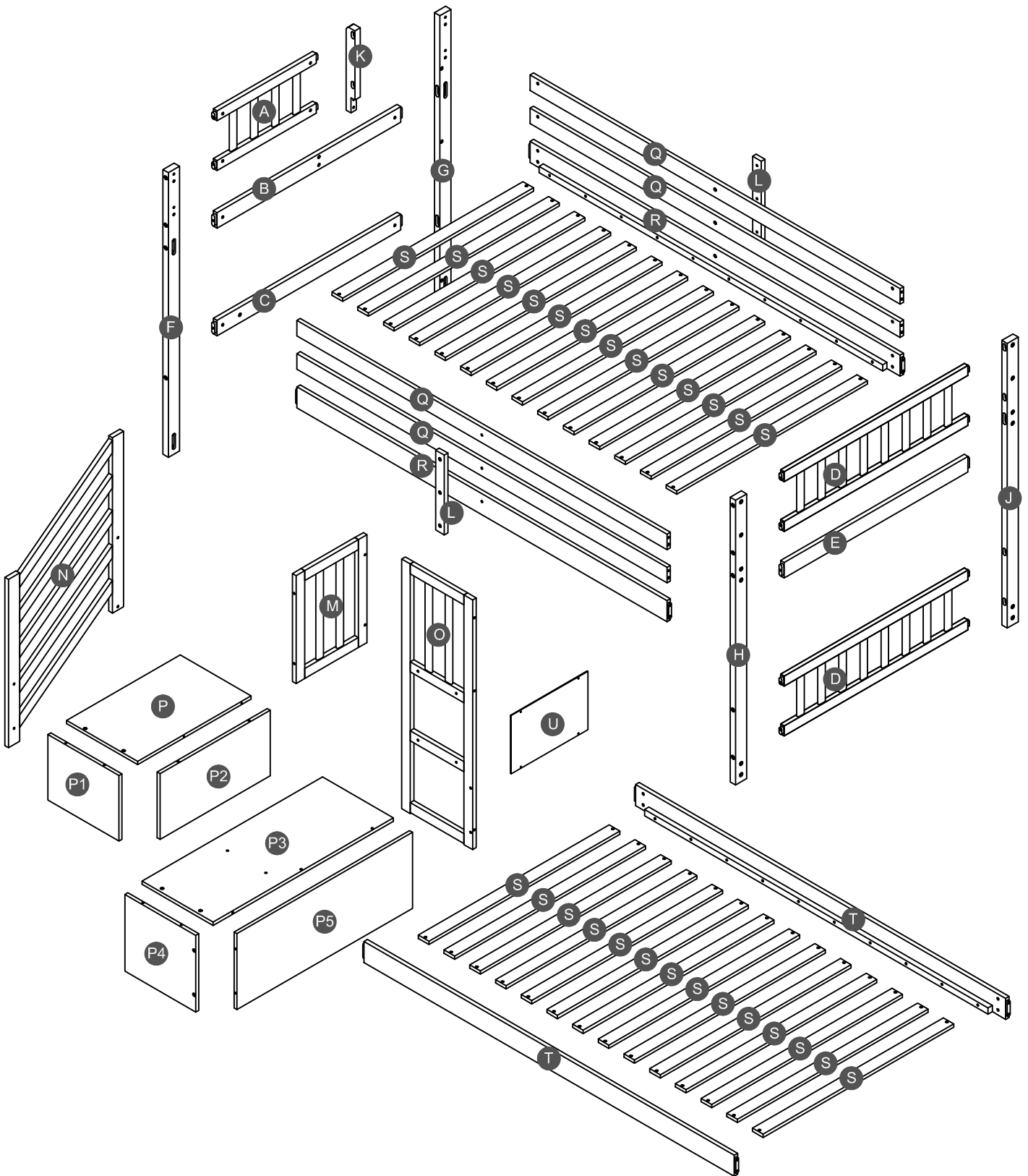
**USE ONLY MATTRESSES WHICH ARE 74"-75" LONG AND 37 1/2" - 38 1/2" WIDE ON UPPER AND ON LOWER BUNKS. ENSURE THICKNESS OF MATTRESS DOES NOT EXCEED 6".**

**SURFACE OF MATTRESS MUST BE AT LEAST 5" (127MM) BELOW THE UPPER EDGE OF GUARDRAILS.**

Replacement Parts:

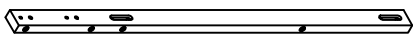
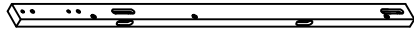
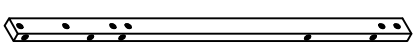
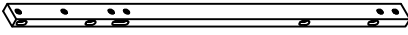


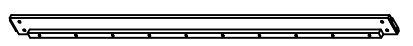
Replacement Parts, including additional guardrails, may be obtained from any of our dealers

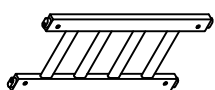
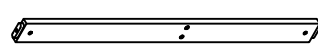
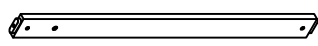
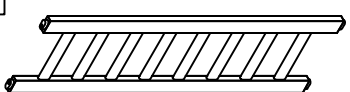
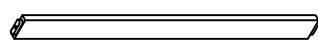
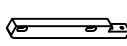
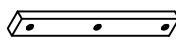
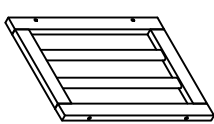
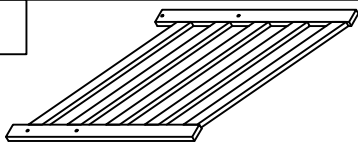
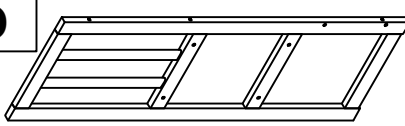
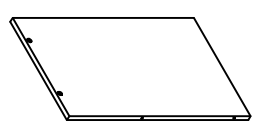
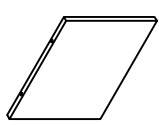
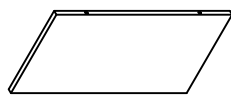
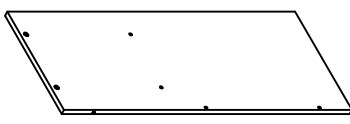
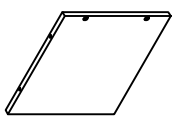
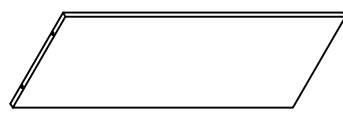
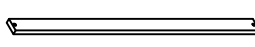
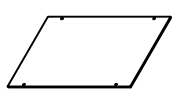
# Detail View




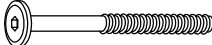
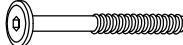

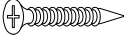
# Part List

## Hardware List

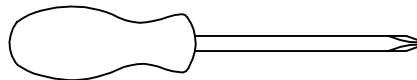
<b>F</b>  Leg FB (Front) - 1pc	<b>G</b>  Leg FB (Back) - 1pc	<b>H</b>  Leg HB (Front) - 1pc
<b>J</b>  Leg HB (Back) - 1pc	<b>Q</b>  Guard rail - 4pcs	<b>R</b>  Upper side rail-2pcs
<b>T</b>  Lower side rail-2pcs		

<b>A</b>  Upper FB - 1pc	<b>B</b>  Upper horizontal FB- 1pc	<b>C</b>  Lower horizontal FB- 1pc
<b>D</b>  Upper / Lower HB - 2pcs	<b>E</b>  Horizontal HB- 1pc	<b>K</b>  Support guard rail - 1pc
<b>L</b>  Vertical guard rail - 2pcs	<b>M</b>  Upper guard side - 1pc	<b>N</b>  Guard side - 1pc
<b>O</b>  Frame guard back - 1pc	<b>P</b>  Upper step ladder panel -1pc	<b>P1</b>  Upper front panel - 1pc
<b>P2</b>  Upper side panel - 1pc	<b>P3</b>  Lower step ladder panel -1pc	<b>P4</b>  Lower front panel - 1pc
<b>P5</b>  Lower side panel - 1pc	<b>S</b>  Slats - 28pcs	<b>U</b>  Panel (FB)- 1pc

# Hardware List





<b>1</b>  Ø10*40mm Wood dowel (8pcs)	<b>2</b>  Ø8*30mm Wood dowel (4pcs)	<b>3</b>  (Ø15)1/4"*100mm Hex-Head bolts (16pcs)
<b>4</b>  (Ø15)1/4"*80mm Hex-Head bolts (24pcs)	<b>5</b>  (Ø12)1/4"*60mm Hex-Head bolts (26pcs)	<b>6</b>  (Ø12)1/4"*35mm Hex-Head bolts (2pcs)
<b>7</b>  (Ø12)1/4"*30mm Hex-Head bolts (6pcs)	<b>8</b>  1/4"*15 (9.5mm) Horizontal-Hole bolts(66pcs)	<b>9</b>  (1/4")4.5*58mm Allen key (1pc)
<b>10</b>  Ø4*30mm Wood screws (56pcs)	<b>11</b>  Ø3.5*15mm Wood screws (4pcs)	<b>12</b>  (Ø12)1/4"*70mm Hex-Head bolts (2pcs)

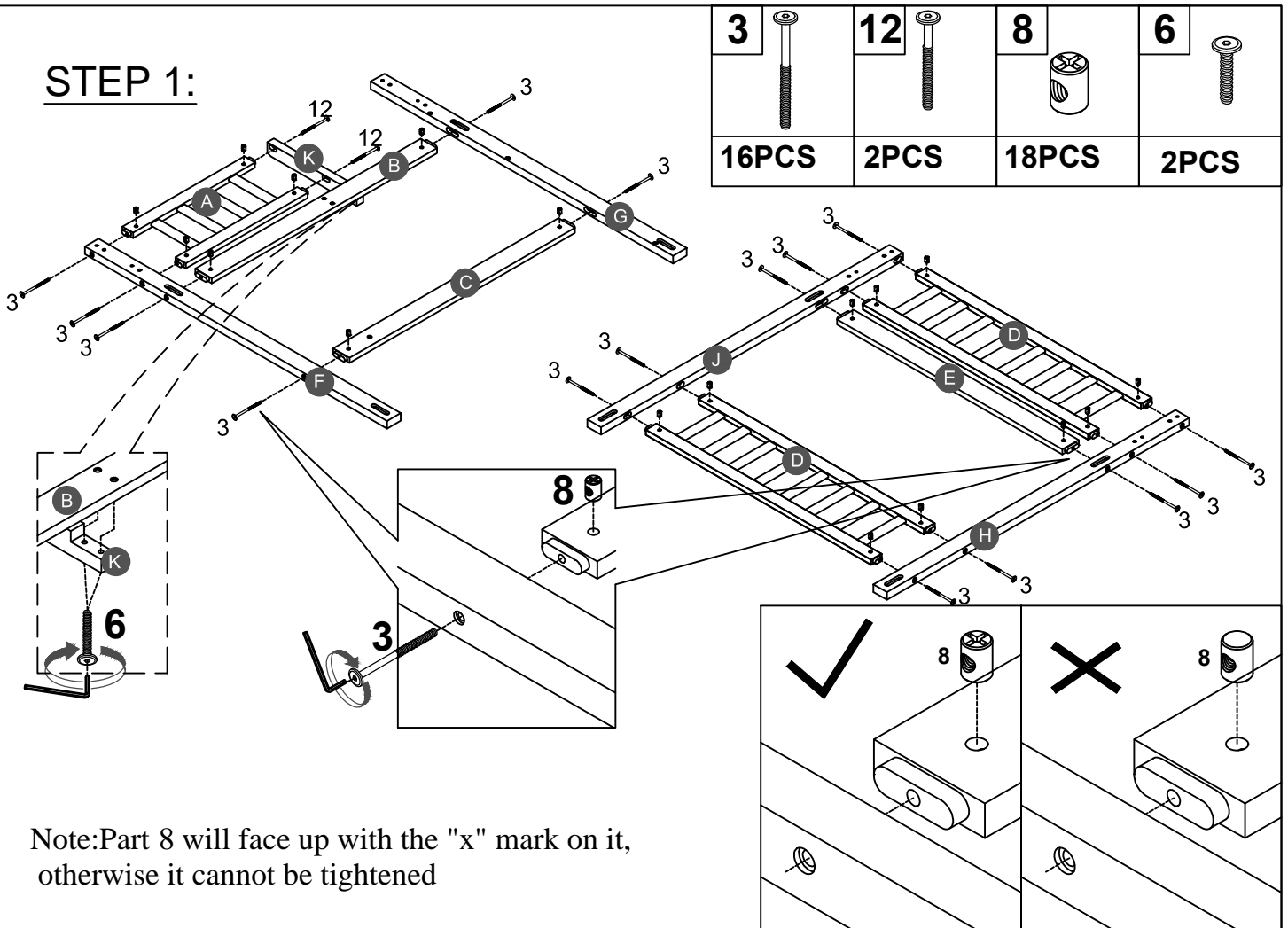
## ASSEMBLY TOOLS REQUIRED ( NOT INCLUDED )



PLEASE BE CAREFUL DO NOT DAMAGE THE HOLE POSITION WHEN YOU USE POWER TOOLS !

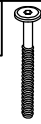



# STEP 1:

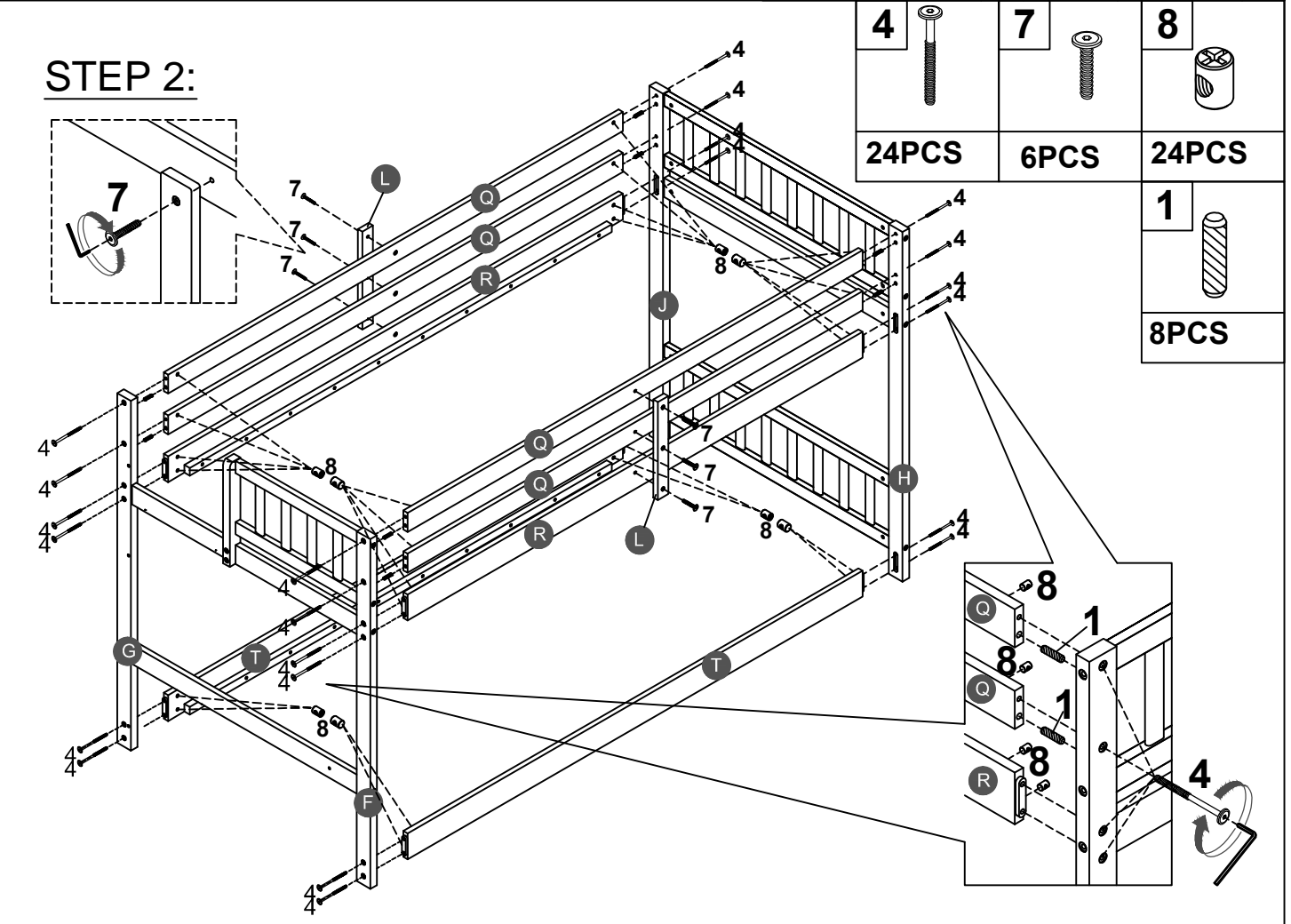
<b>3</b>		<b>12</b>		<b>8</b>		<b>6</b>	
<b>16PCS</b>		<b>2PCS</b>		<b>18PCS</b>		<b>2PCS</b>	






Note: Part 8 will face up with the "x" mark on it, otherwise it cannot be tightened

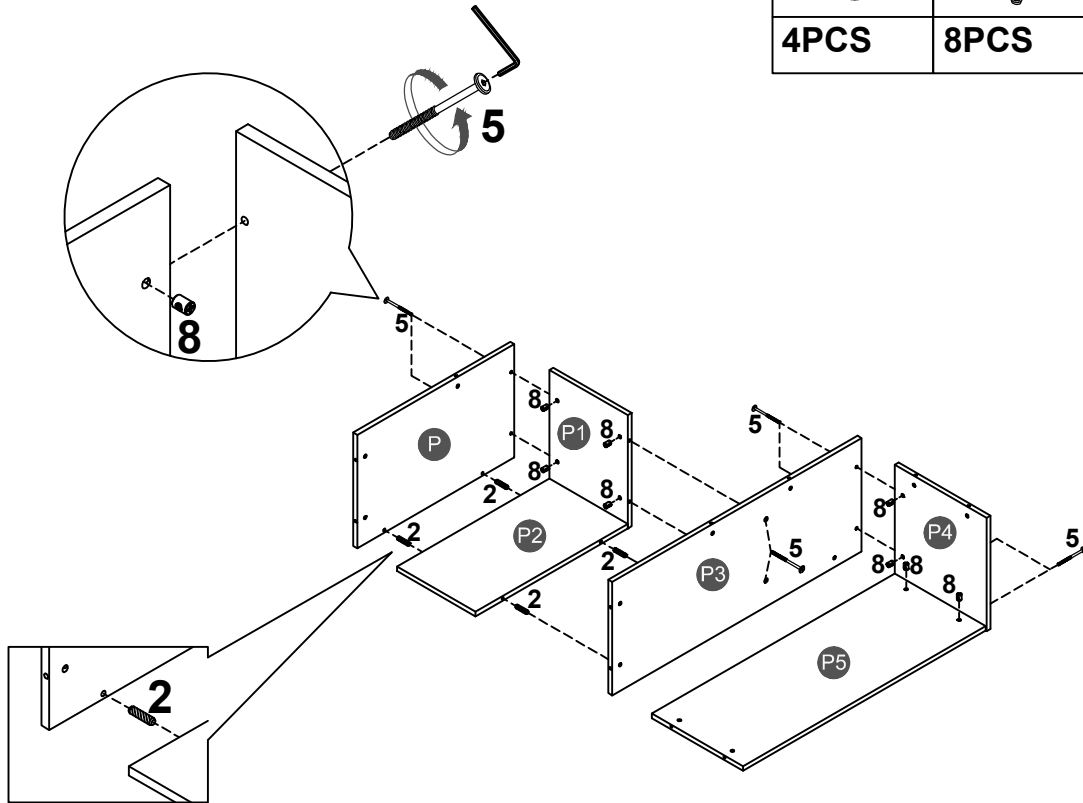
# STEP 2:

<b>4</b>		<b>7</b>		<b>8</b>	
<b>24PCS</b>		<b>6PCS</b>		<b>24PCS</b>	
				<b>1</b>	
				<b>8PCS</b>	






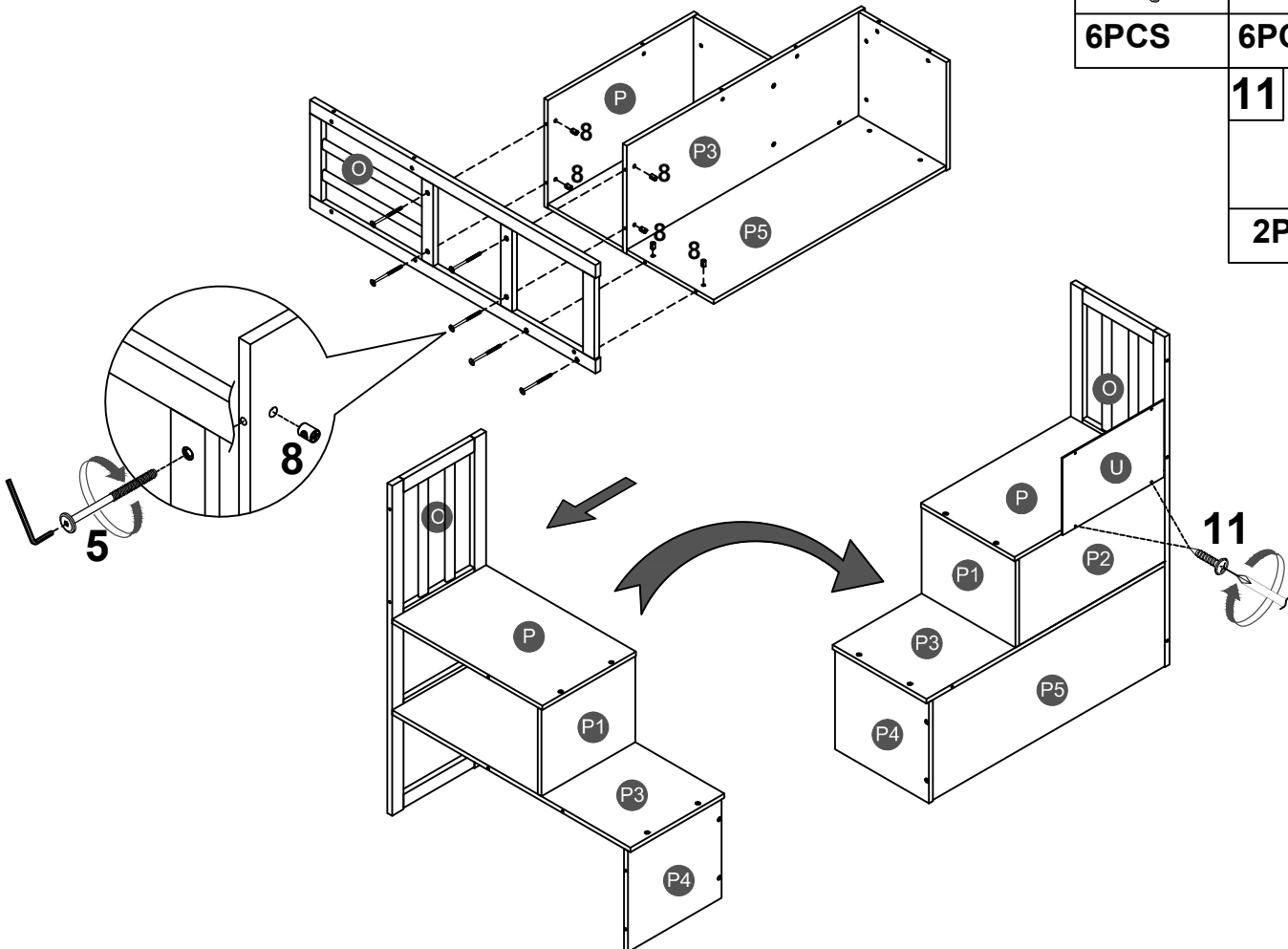
**STEP 3:**

<b>2</b>		<b>5</b>		<b>8</b>	
<b>4PCS</b>		<b>8PCS</b>		<b>8PCS</b>	

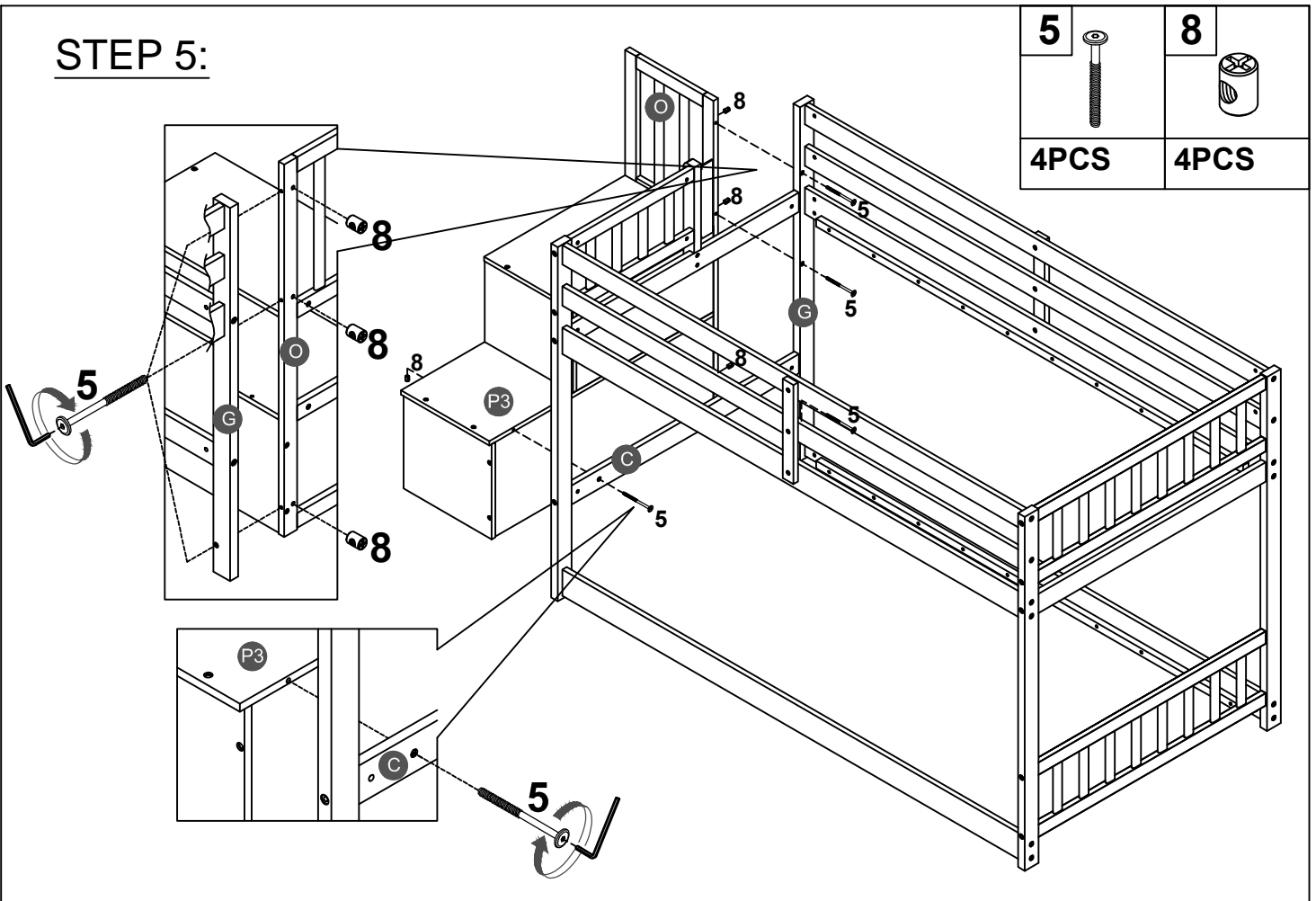


**STEP 4:**

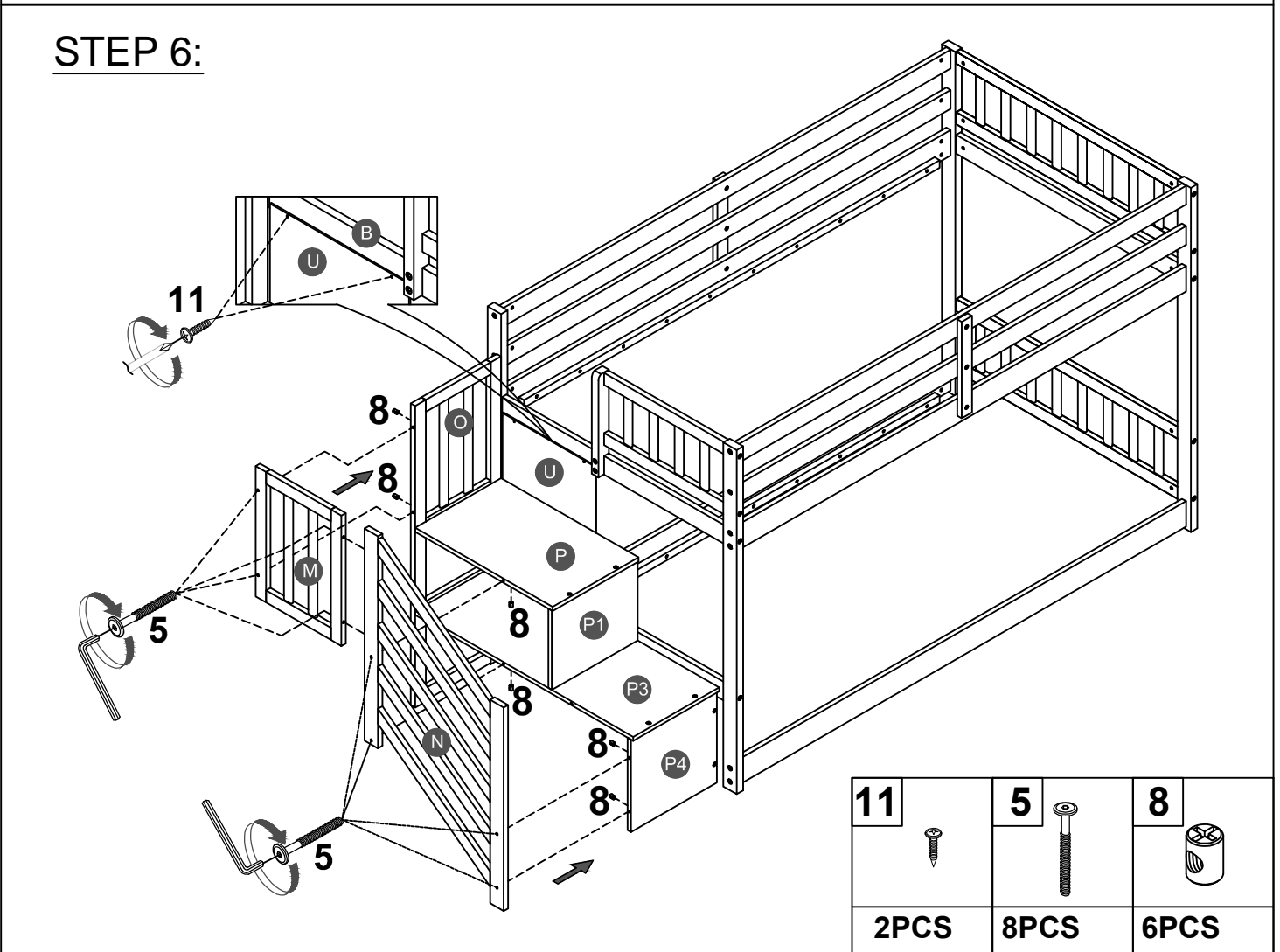
<b>5</b>		<b>8</b>	
<b>6PCS</b>		<b>6PCS</b>	
		<b>11</b>	
		<b>2PCS</b>	



**STEP 5:**



**STEP 6:**

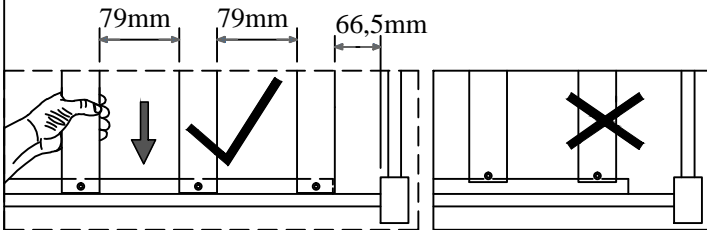
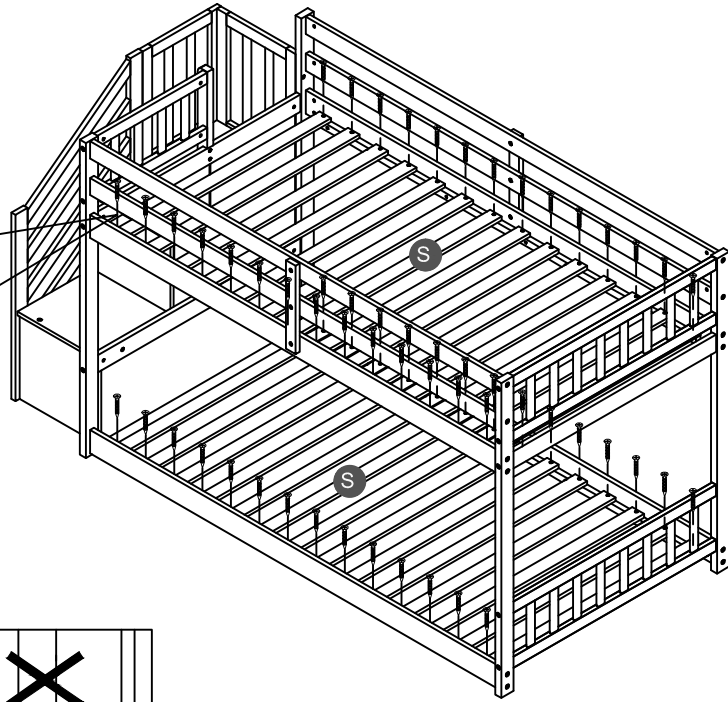
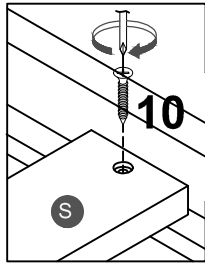


# STEP 7:

10



56PCS



Note: Do not lock the screws of the bed slats to the outermost edge of the bed slats, you need to leave a certain space at the edges, otherwise it will cause the board to break. Do not lock the bed slats on the edge of the wood, please hold firmly before screwing , hold it in place with one hand, then lock the screw.

