

TT-DT001

Version:1.1

# NOTICE

Dear Customer,

All of our products have got strict quality inspection, but we can't guarantee that each set got no issues. When you get troubles with installation or found any product issues, such as wood breakage, lacquer scratch, toolkit missing etc, we hope that you can contact our mailbox: niexift234528@163.com before you give feedback or review, we will solve your problem until you are satisfied, thank you!

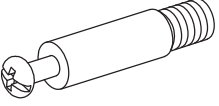
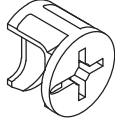
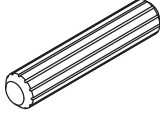
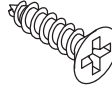
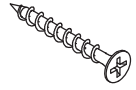
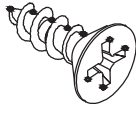
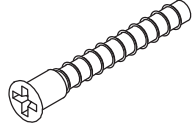
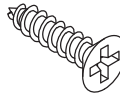



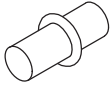
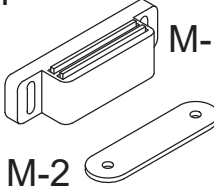
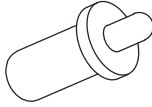
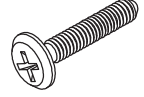


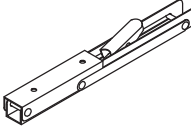
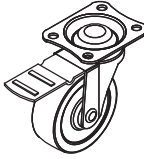
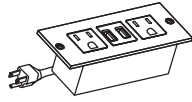
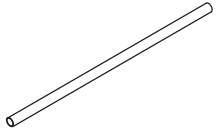
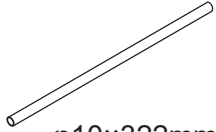

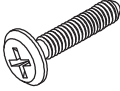
HOTAMO

Please check the installation videos on our YouTube channel named:

Kitchen Island with Power  
Outlet Installation Video



# HARDWARE LIST

<p><b>A</b></p>  <p>6×35mm 48(+2)PCS</p>	<p><b>B</b></p>  <p>48(+2)PCS</p>	<p><b>C</b></p>  <p>6×30mm 26(+2)PCS</p>	<p><b>D</b></p>  <p>M3×12mm 22(+2)PCS</p>	<p><b>E</b></p>  <p>M3.5×35mm 8 PCS</p>
<p><b>F</b></p>  <p>M3.5×14mm 11(+1) PCS</p>	<p><b>G</b></p>  <p>M5×40mm 28(+2) PCS</p>	<p><b>H</b></p>  <p>M3×14mm 25(+2) PCS</p>	<p><b>I</b></p>  <p>15×14×10mm 19(+1) PCS</p>	<p><b>J</b></p>  <p>M4×16mm 5 PCS</p>
<p><b>K</b></p>  <p>5 PCS</p>	<p><b>L</b></p>  <p>8 PCS</p>	<p><b>M</b></p>  <p>M-1 M-2 3 PCS</p>	<p><b>N</b></p>  <p>6 PCS</p>	<p><b>O</b></p>  <p>M6×40mm 4 PCS</p>
<p><b>P</b></p>  <p>M6×12mm 26(+2) PCS</p>	<p><b>Q</b></p>  <p>4 PCS</p>	<p><b>R</b></p>  <p>3 PCS</p>	<p><b>S</b></p>  <p>5 PCS</p>	<p><b>T</b></p>  <p>1 PC</p>
<p><b>U</b></p>  <p>φ10×280mm 2 PCS</p>	<p><b>V</b></p>  <p>φ10×322mm 3 PCS</p>	<p><b>W</b></p>  <p>20 PCS</p>	<p><b>Y</b></p>  <p>M6×30mm 2 PCS</p>	

**X**



DL L300

2PCS



DR L300

2PCS



CL L300

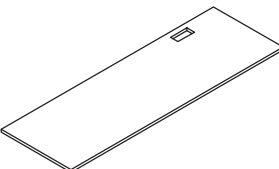
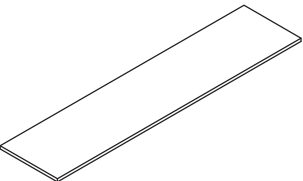

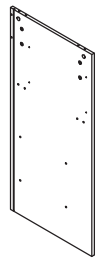
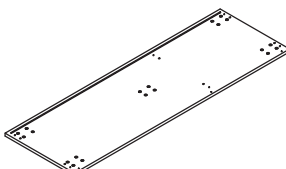
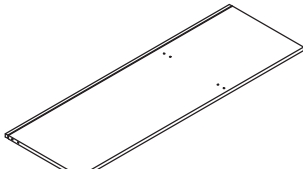
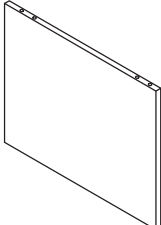
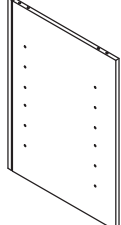
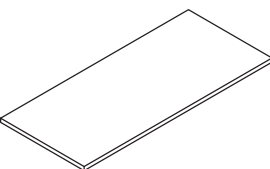
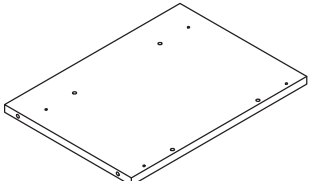
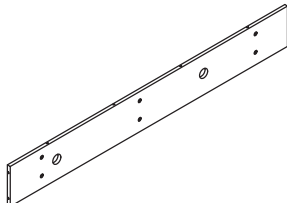
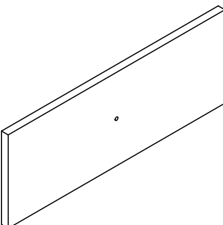
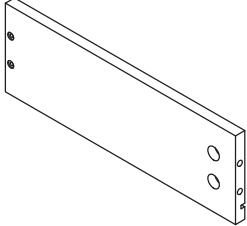
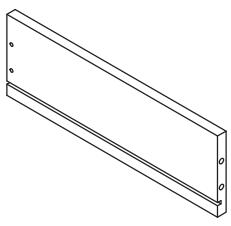
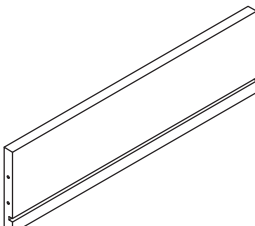
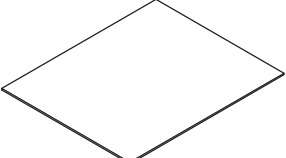
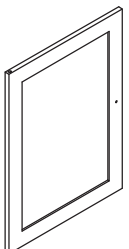
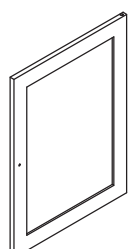
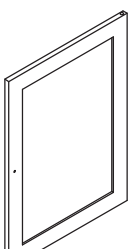


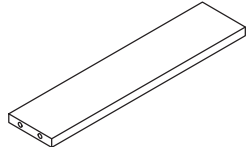
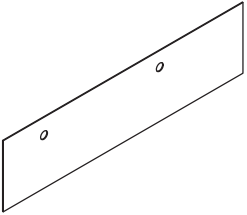
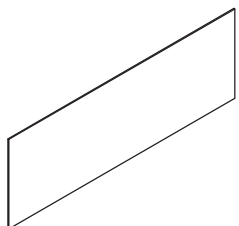
2PCS



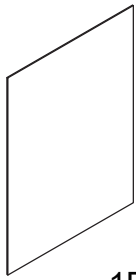
CR L300

2PCS

**PANEL LIST**

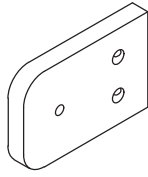
<p><b>1</b></p>  <p>1PC</p>	<p><b>2</b></p>  <p>1PC</p>	<p><b>3</b></p>  <p>1PC</p>	<p><b>4</b></p>  <p>1PC</p>
<p><b>5</b></p>  <p>1PC</p>	<p><b>6</b></p>  <p>1PC</p>	<p><b>7</b></p>  <p>1PC</p>	<p><b>8</b></p>  <p>1PC</p>
<p><b>9</b></p>  <p>2PCS</p>	<p><b>10</b></p>  <p>2PCS</p>	<p><b>11</b></p>  <p>1PC</p>	<p><b>12</b></p>  <p>2PCS</p>
<p><b>13</b></p>  <p>2PCS</p>	<p><b>14</b></p>  <p>2PCS</p>	<p><b>15</b></p>  <p>2PCS</p>	<p><b>16</b></p>  <p>2PCS</p>
<p><b>17</b></p>  <p>1PC</p>	<p><b>18</b></p>  <p>1PC</p>	<p><b>19</b></p>  <p>1PC</p>	<p><b>20</b></p>  <p>1PC</p>
<p><b>21</b></p>  <p>1PC</p>	<p><b>22</b></p>  <p>3PCS</p>	<p><b>23</b></p>  <p>1PC</p>	<p><b>24</b></p>  <p>2PCS</p>

25



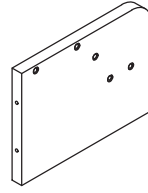
1PC

26



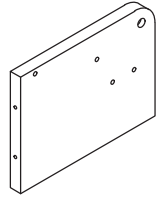
2PCS

27



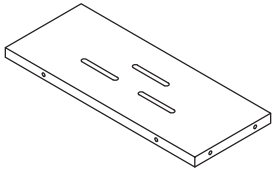
1PC

28



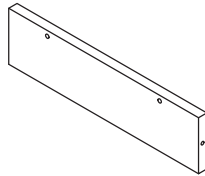
1PC

29



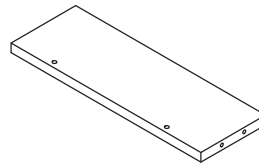
1PC

30



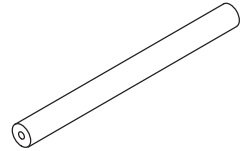
1PC

31



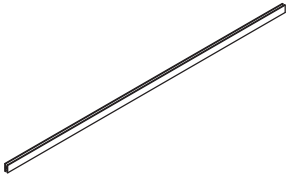
1PC

32

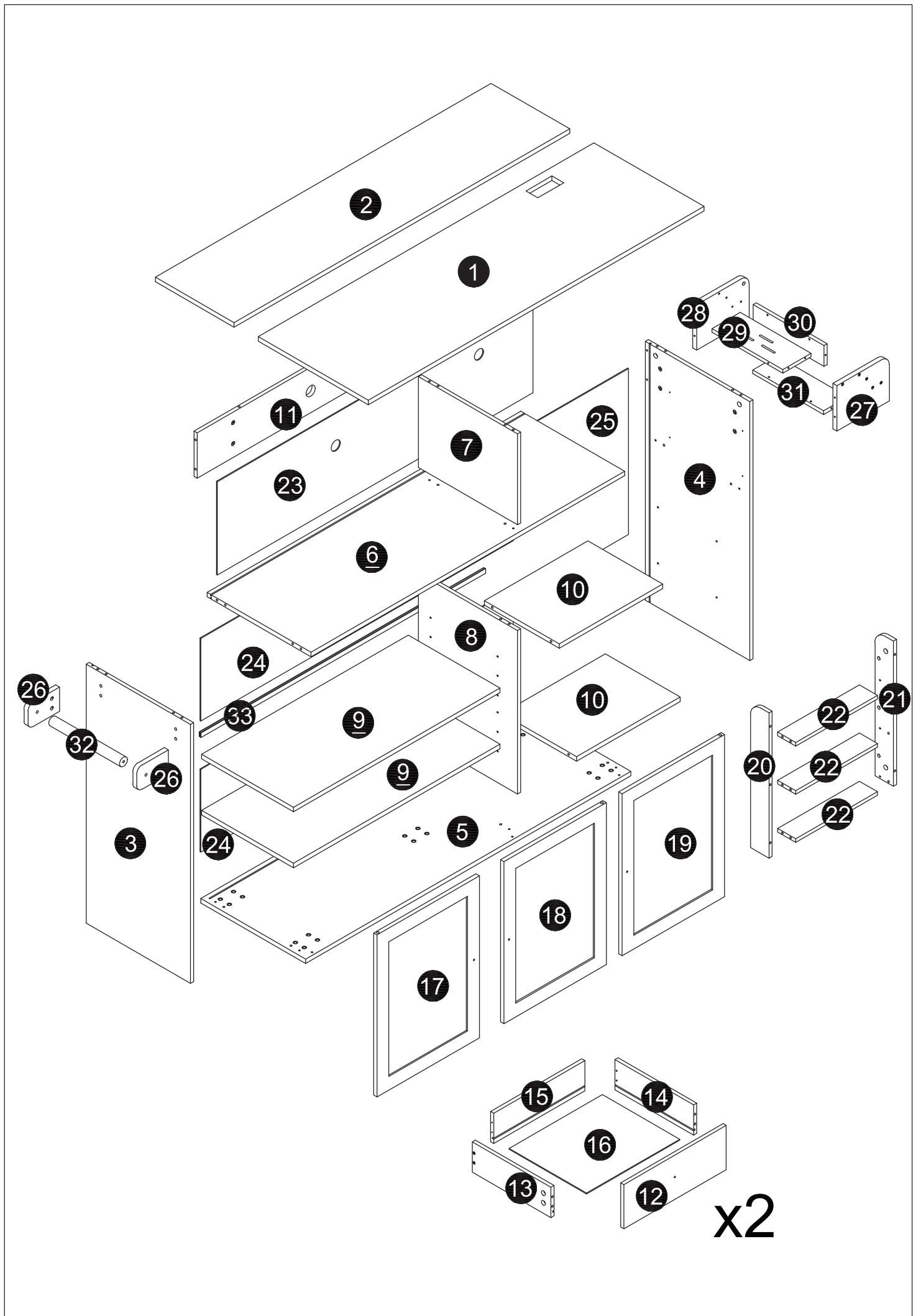


1PC

33






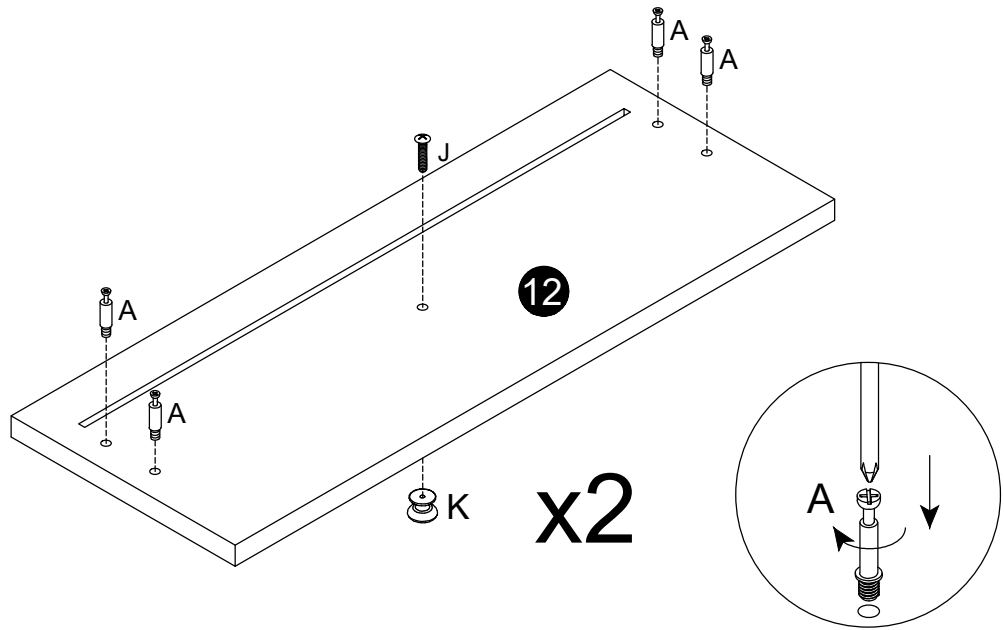
1PC



01

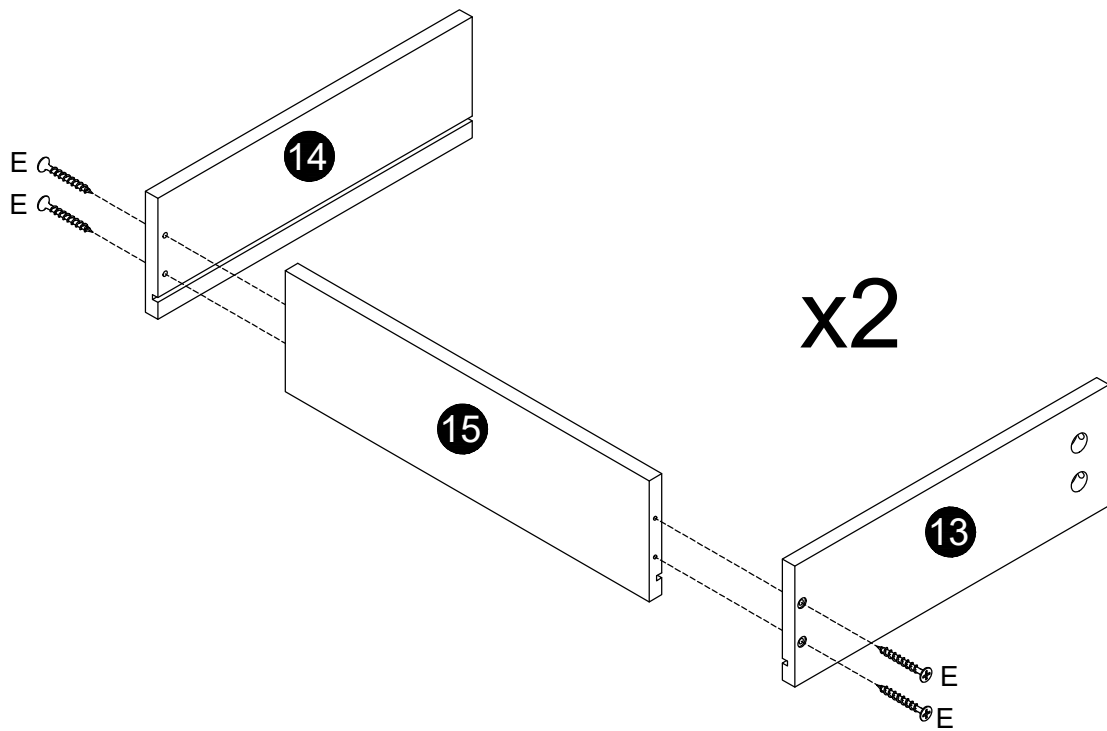
# INSTALLATION STEPS

Ax8	
Jx2	
Kx2	

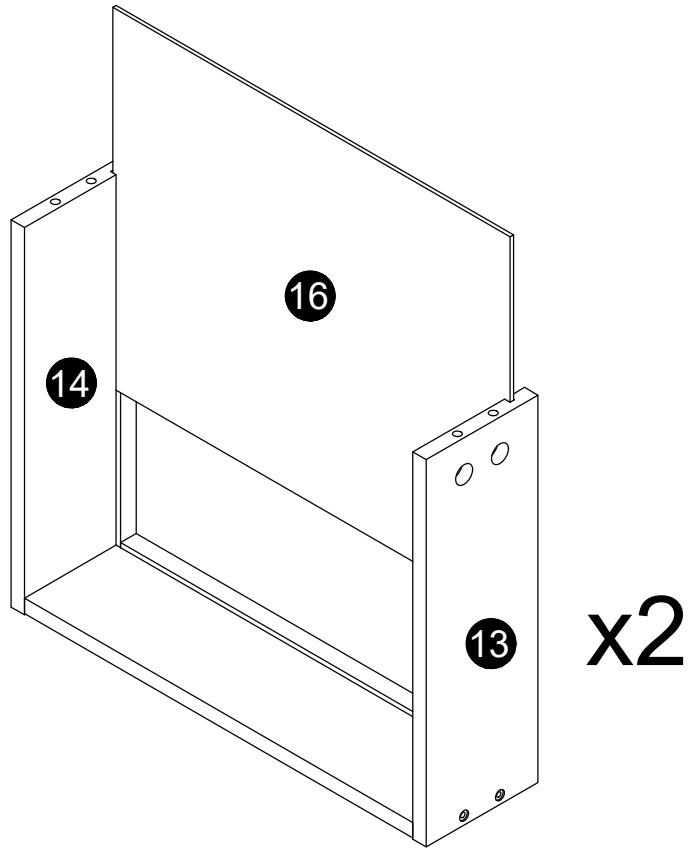


02


Ex8	
-----	---

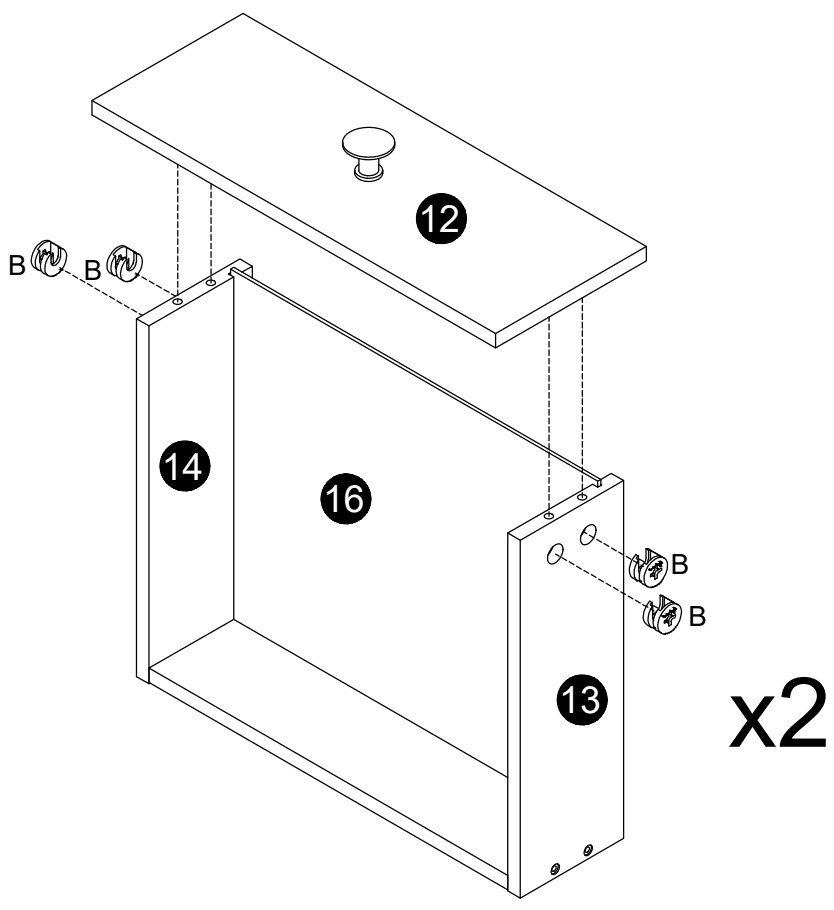


03





04

Bx8 

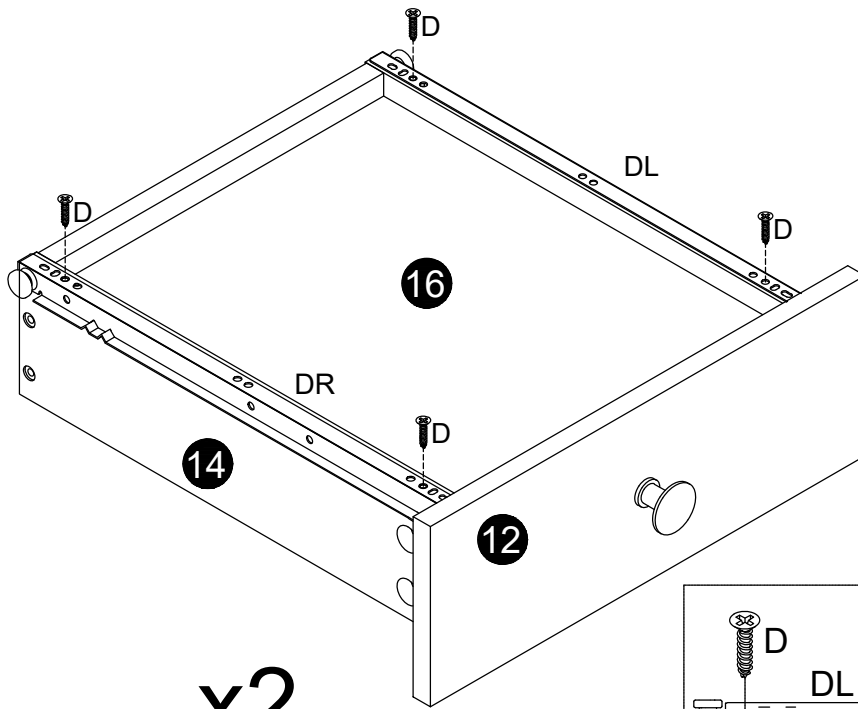


05

Dx8 

X DRx2 


X DLx2 




x2

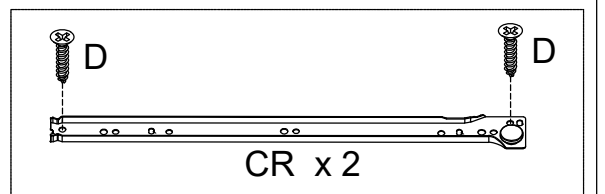
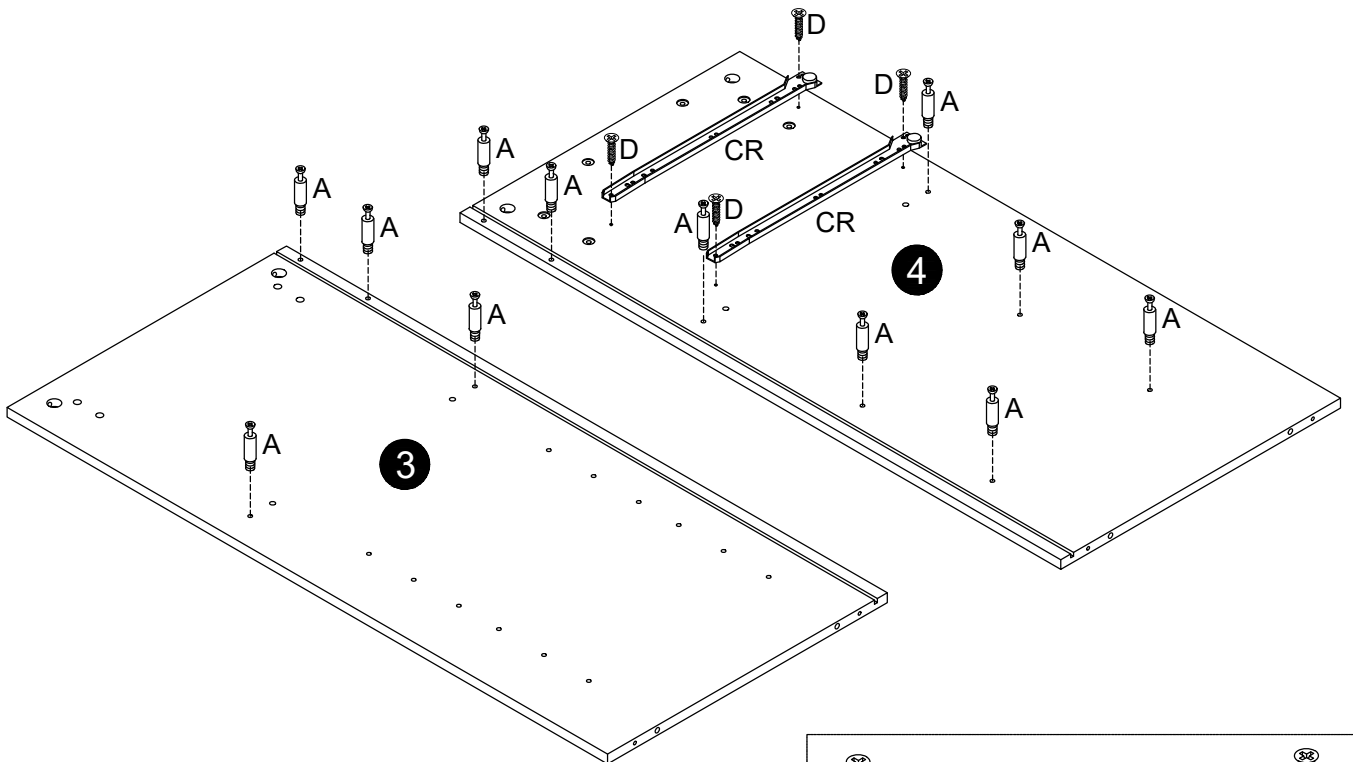


06




Ax12 

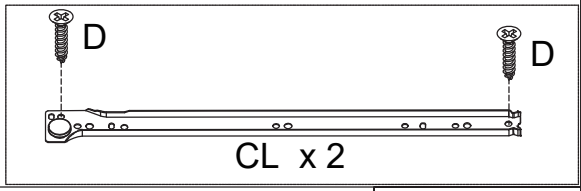
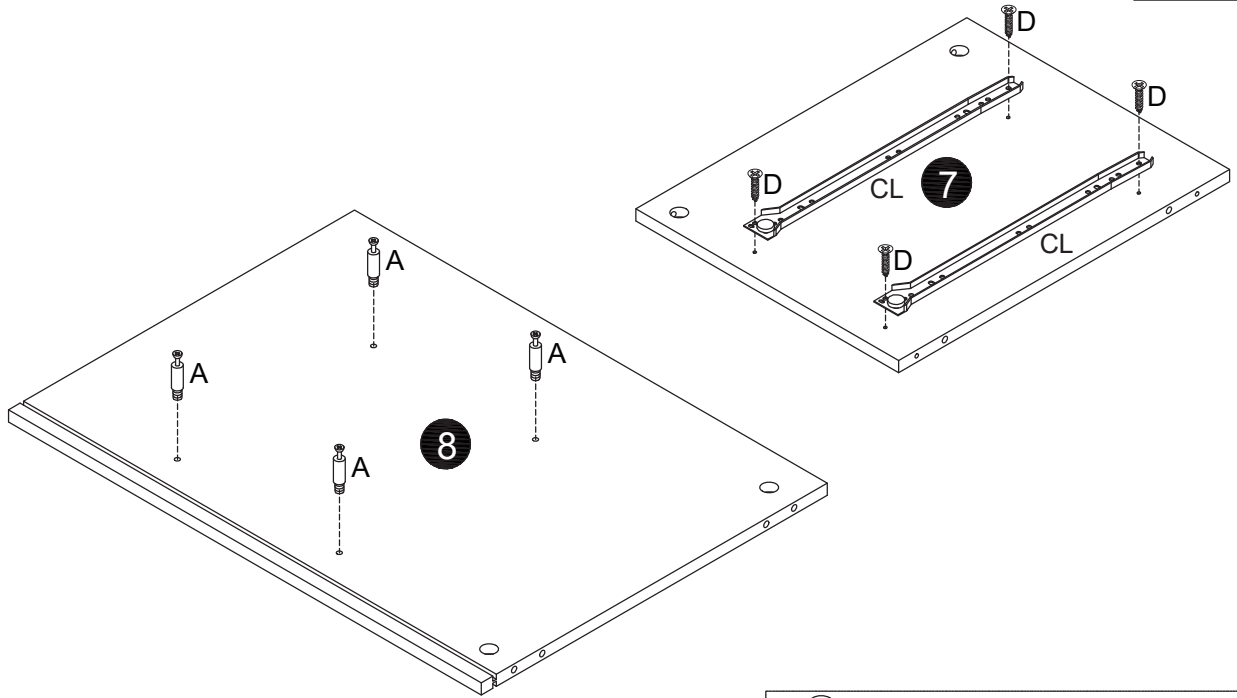
Dx4 

X CRx2 






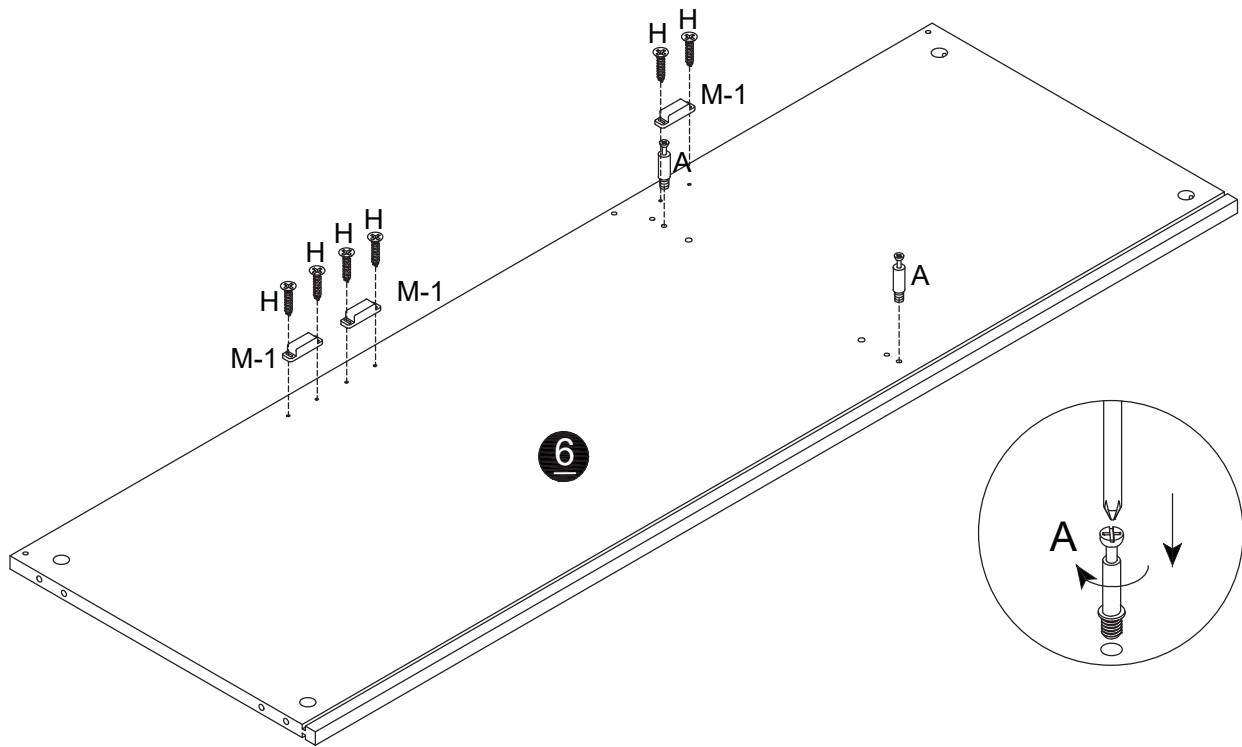
07

- Ax4 
- Dx4 
- X CLx2 





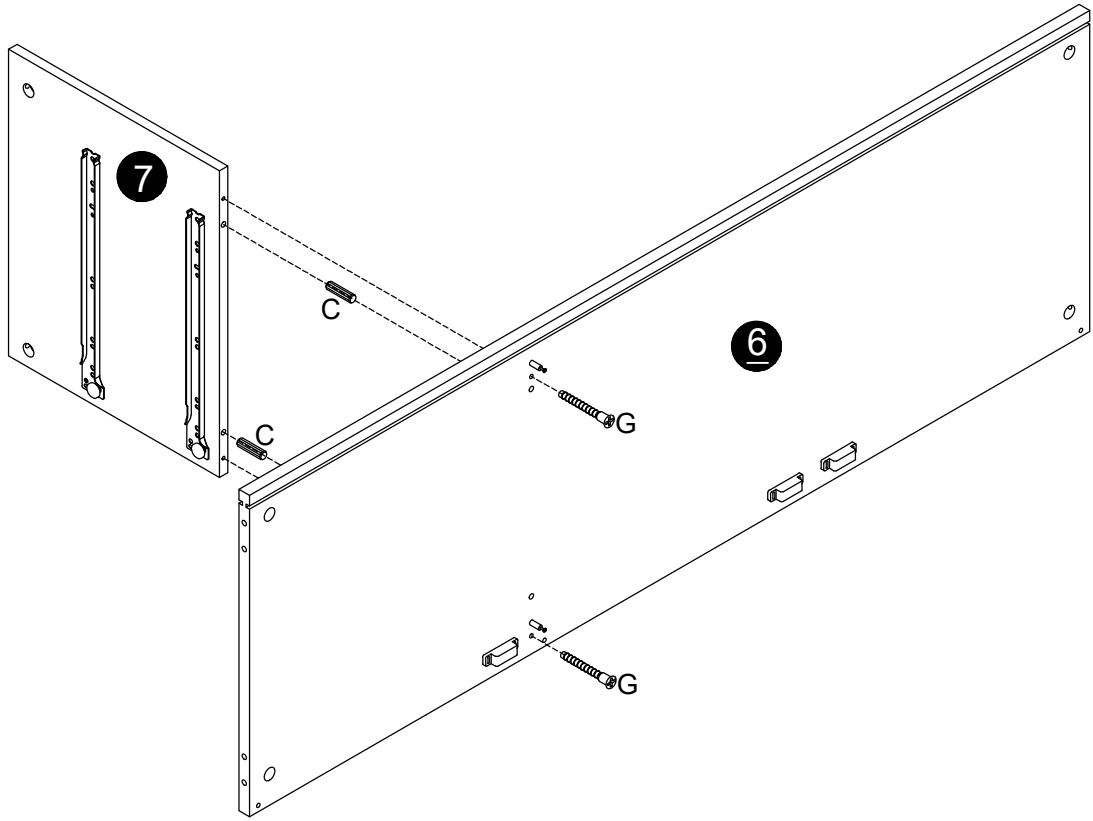
08

- Ax2 
- Hx6 
- M-1x3 





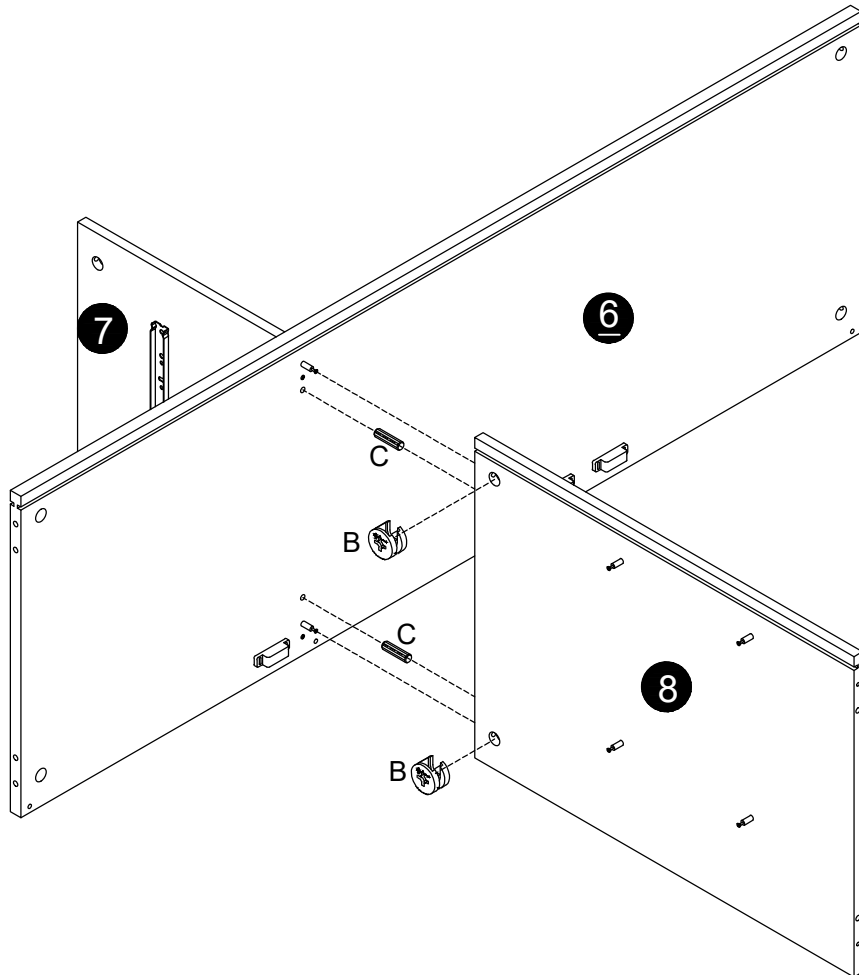
09

Cx2   
Gx2 



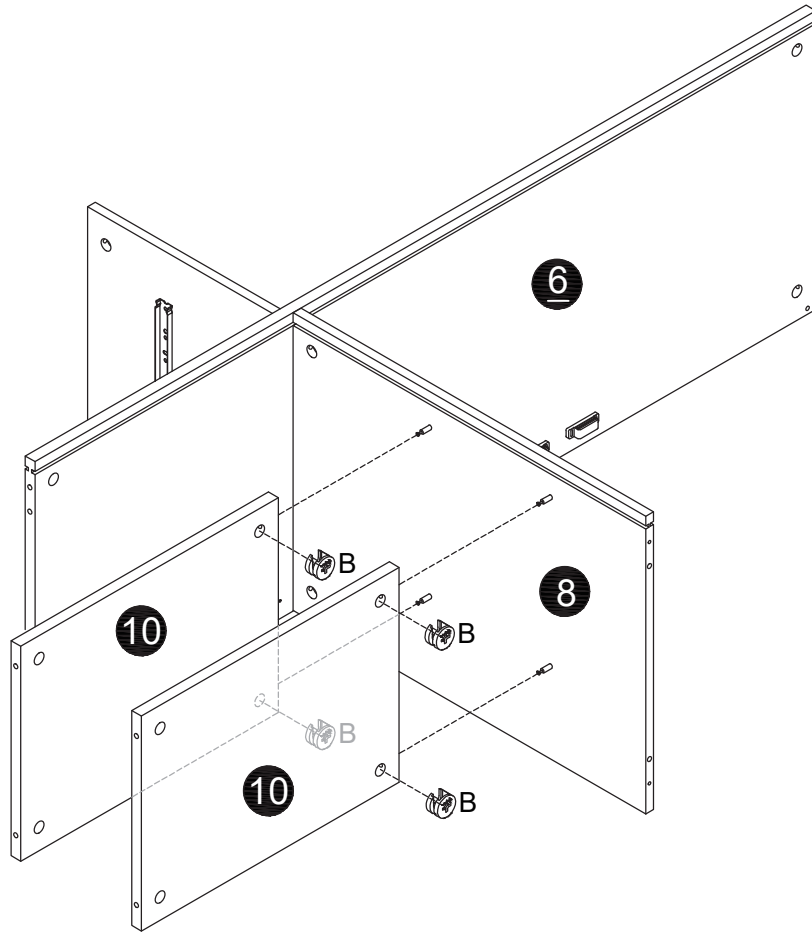
10

Bx2   
Cx2 



11

Bx4

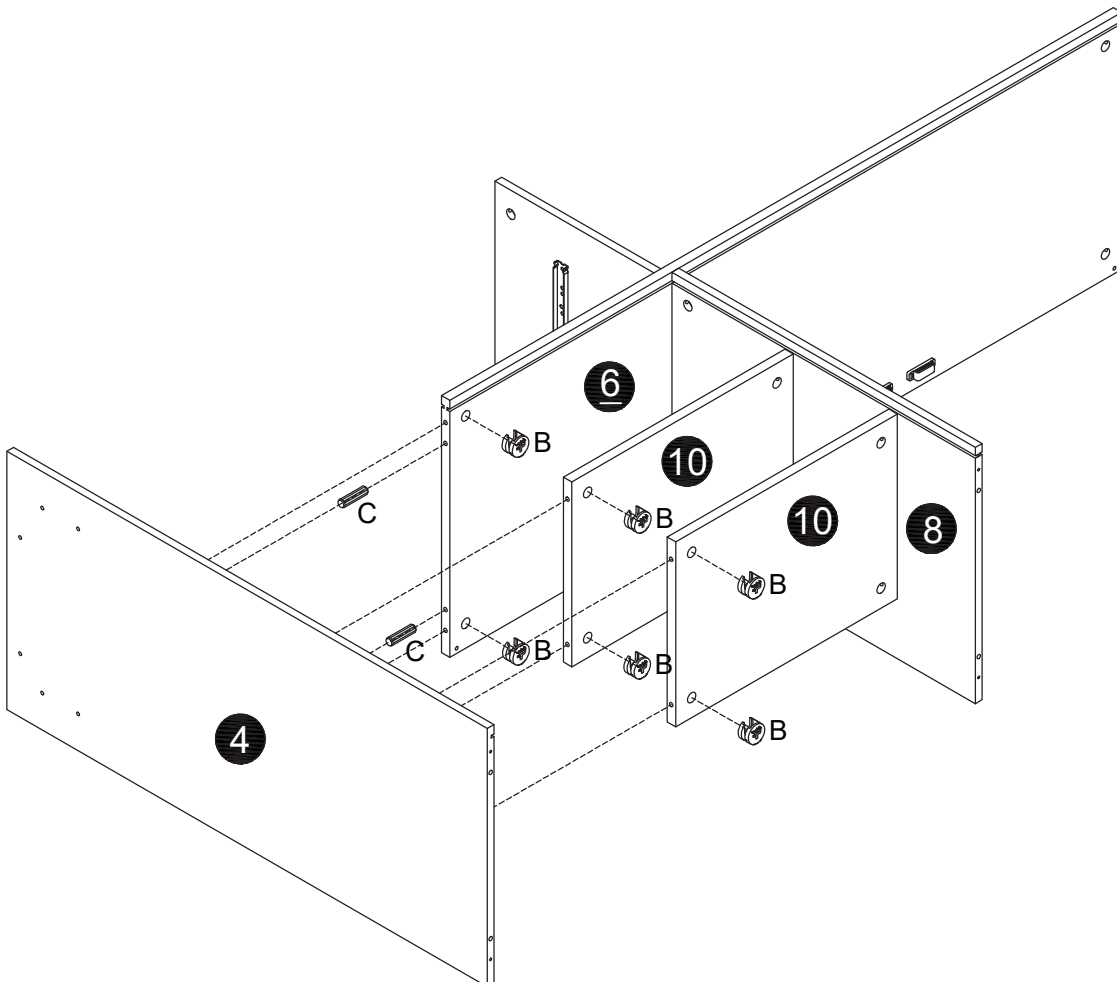


12

Bx6

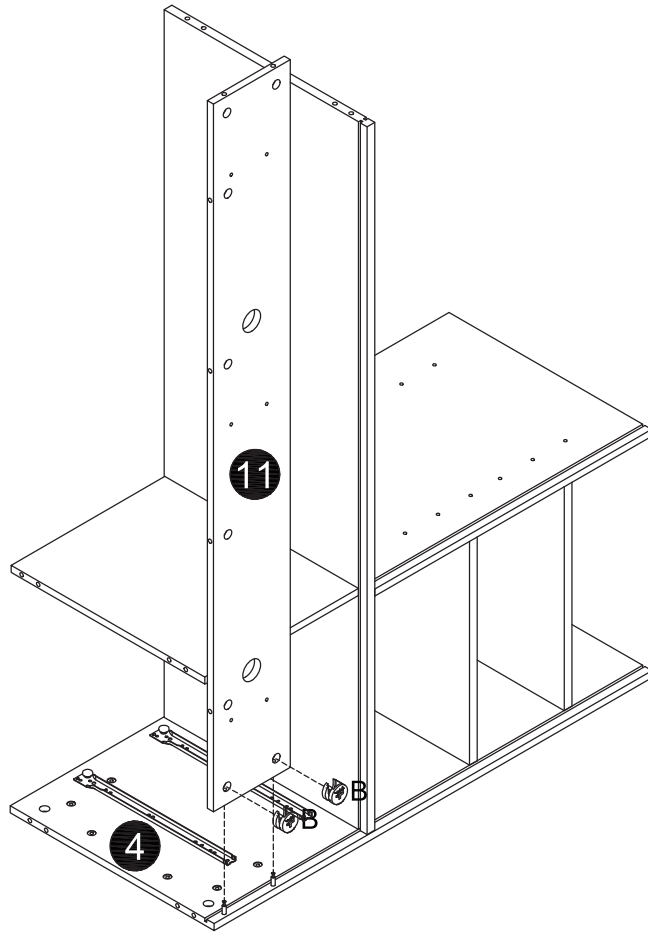


Cx2



13

Bx2

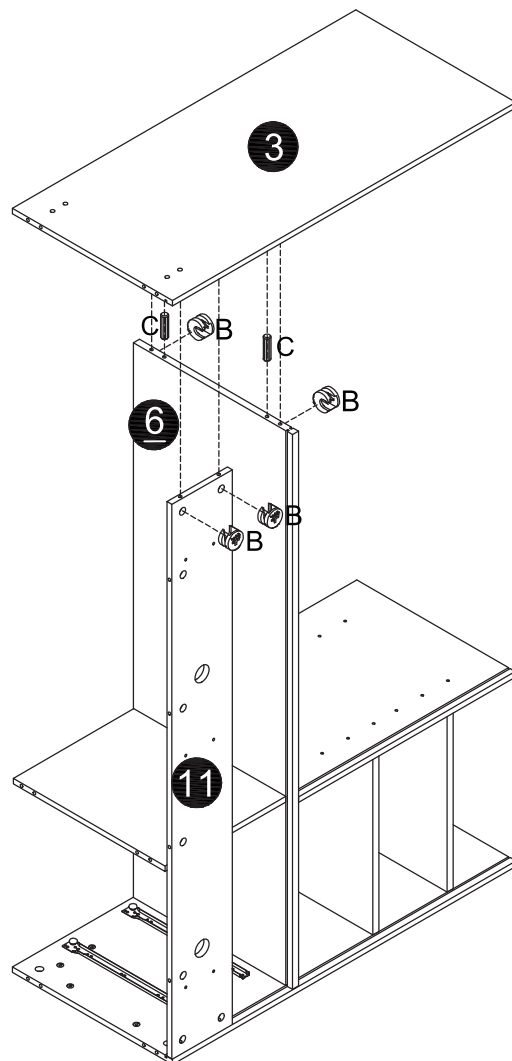


14

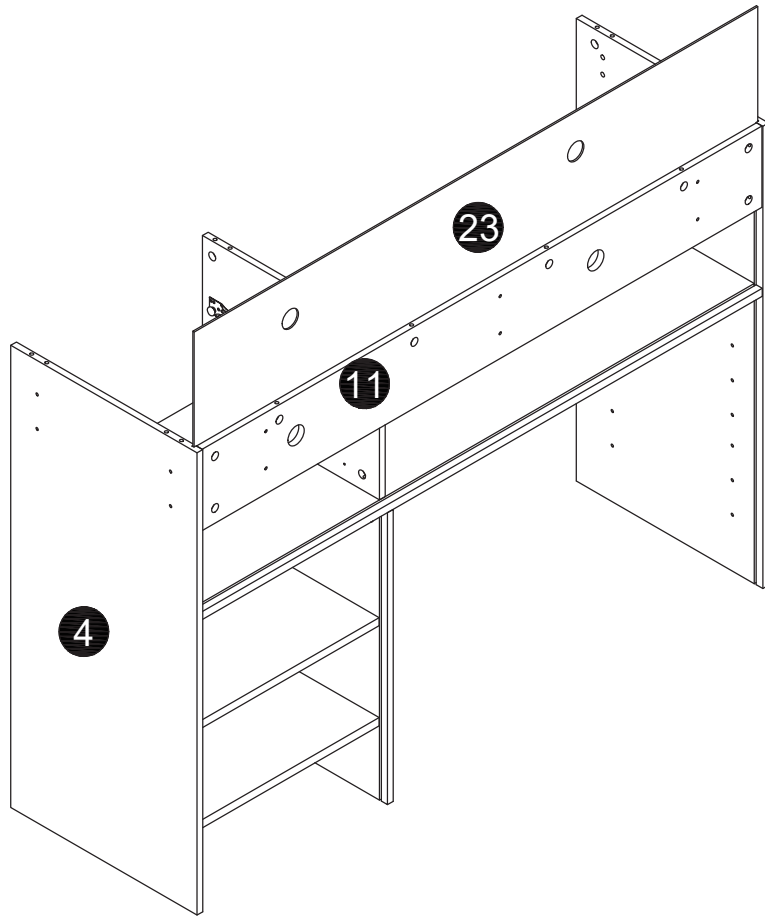
Bx4



Cx2

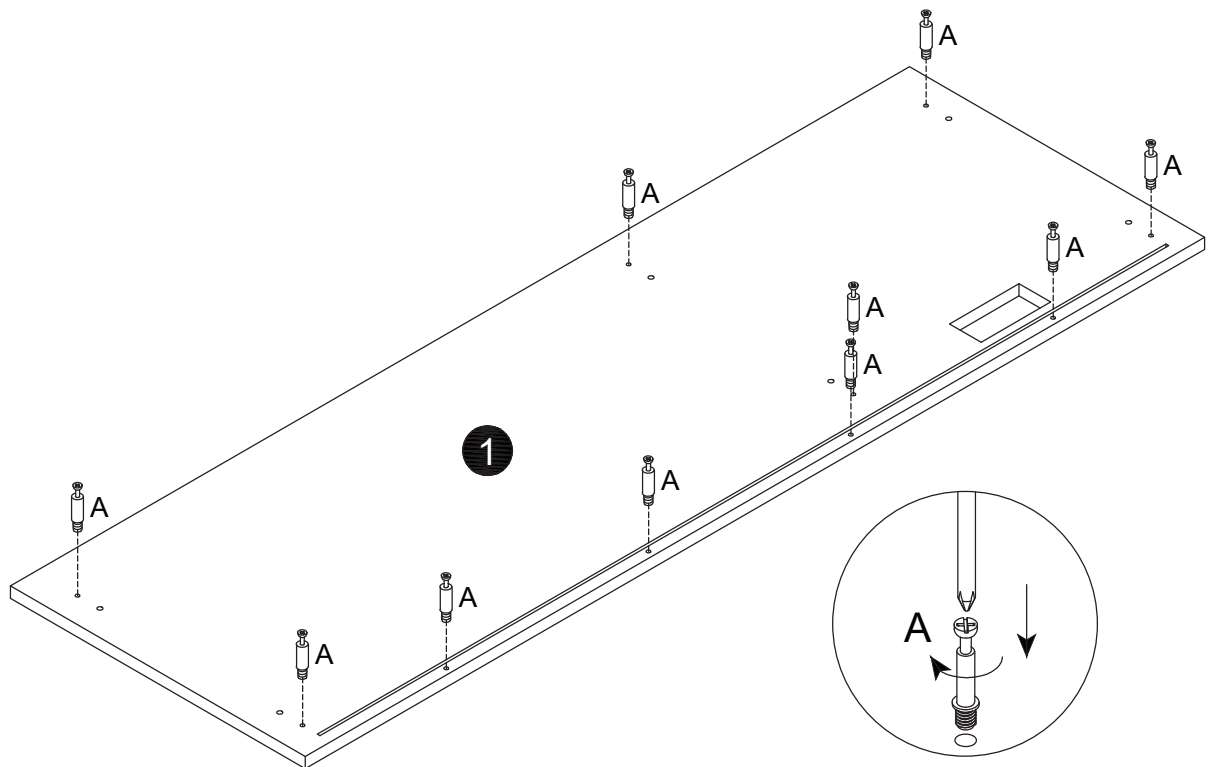


15





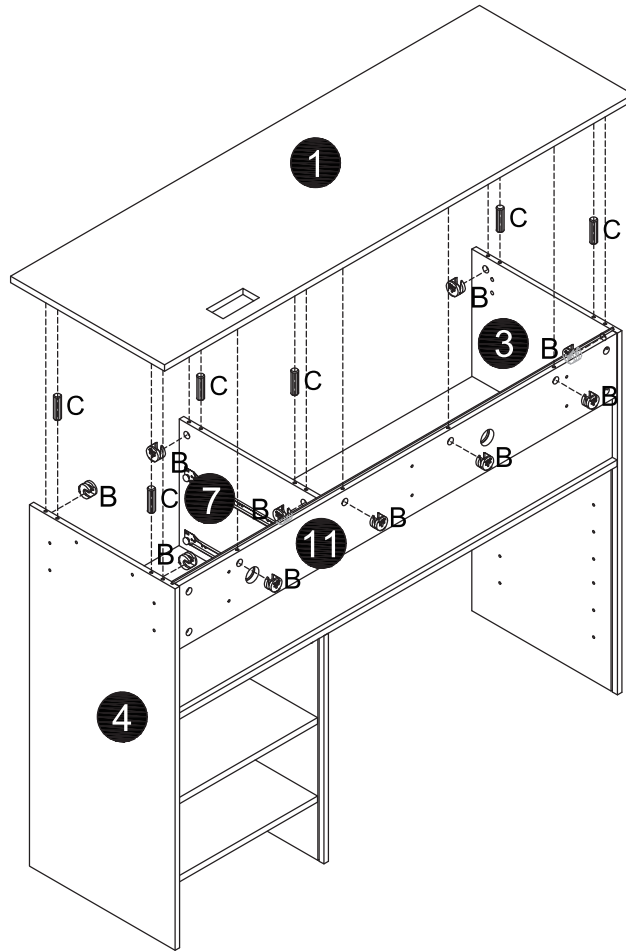
16

Ax10 

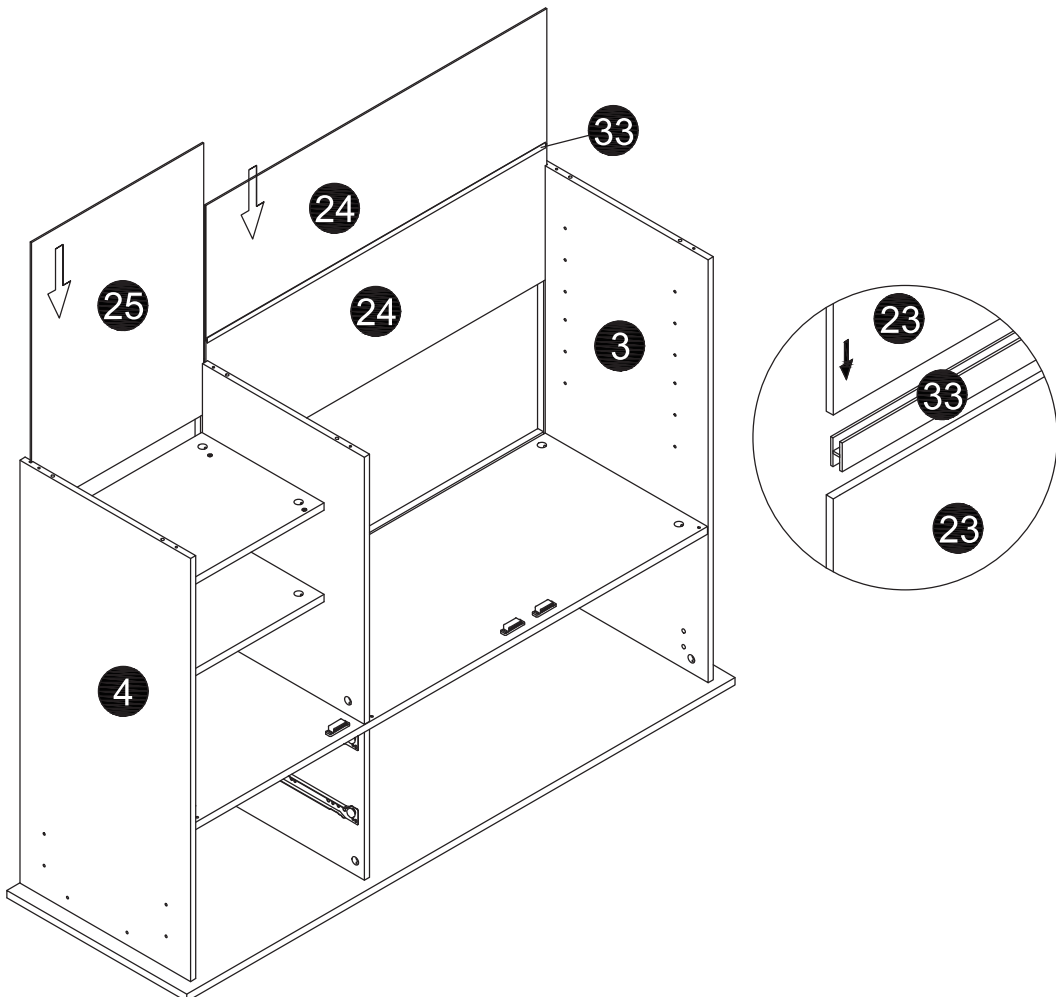


17

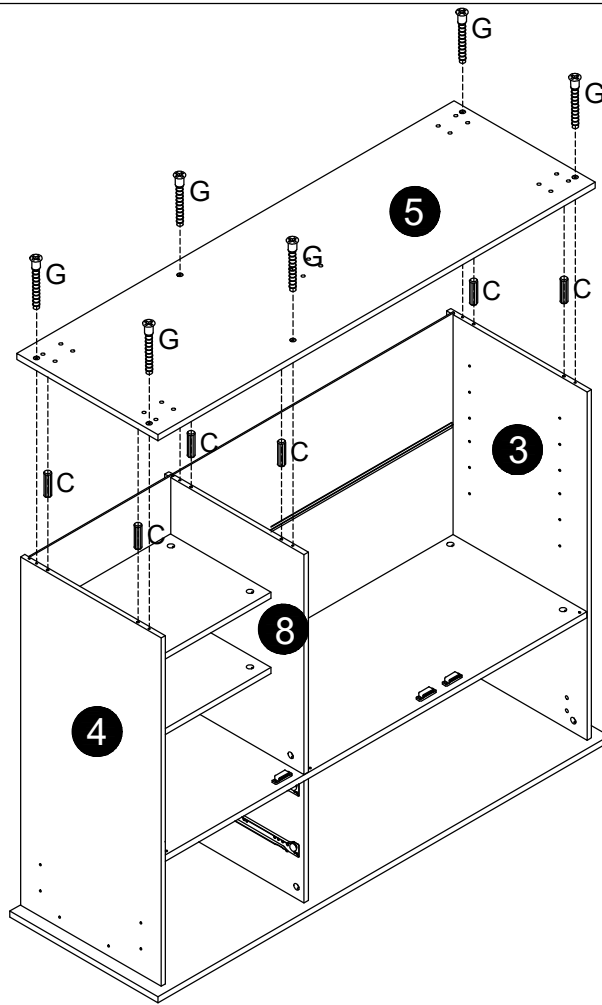
Bx10   
Cx6 





18

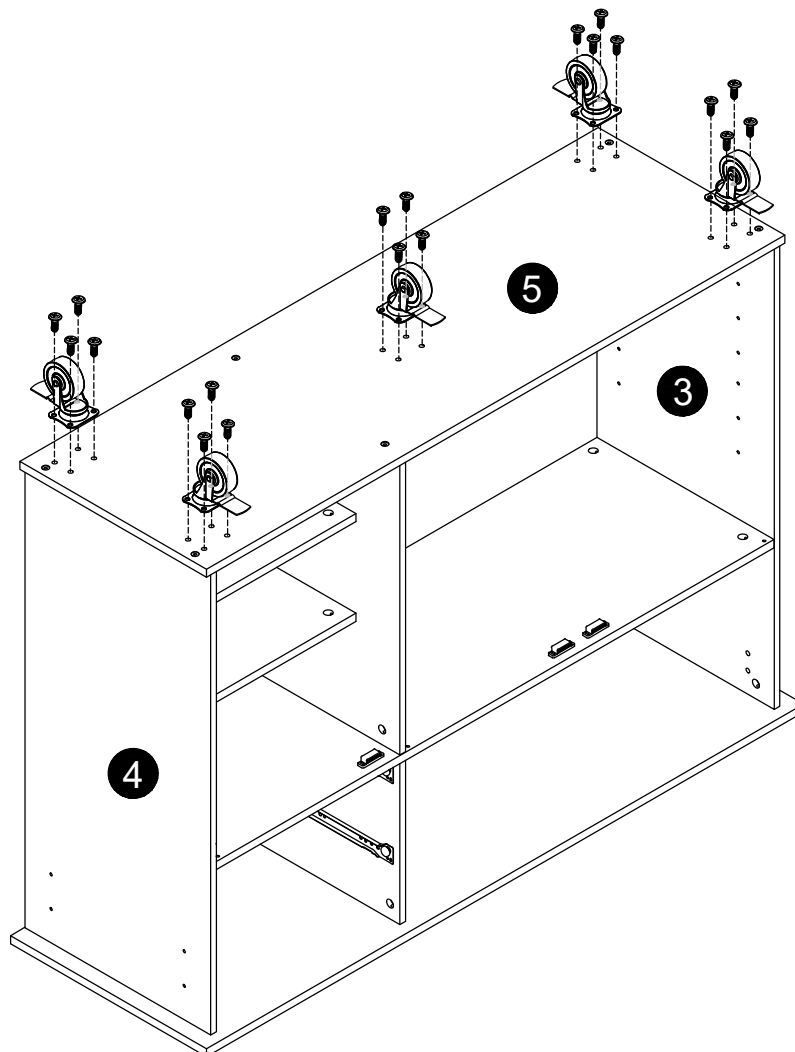




19



- Cx6 
- Gx6 

20



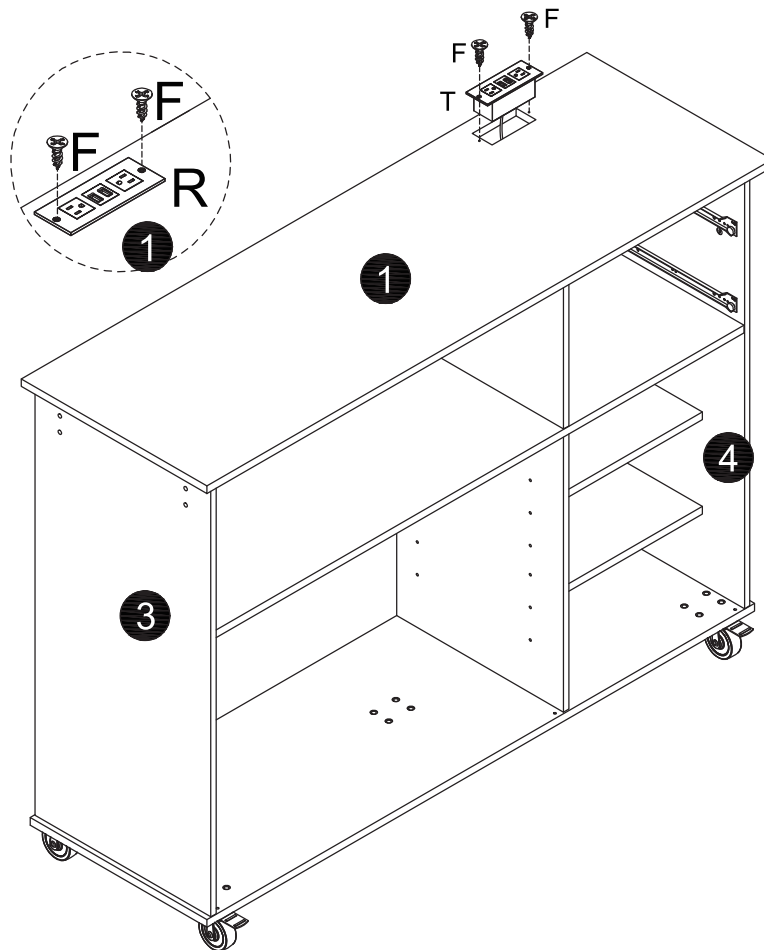
- Px20 
- Sx5 

21

Fx2



Tx1

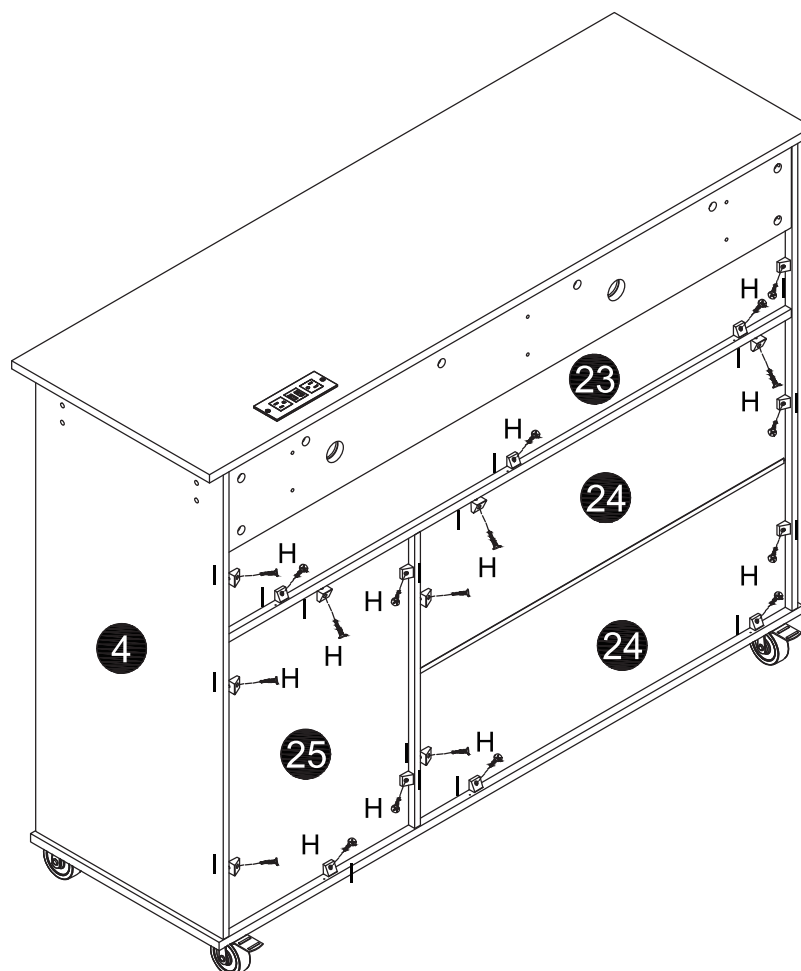


22

Hx19

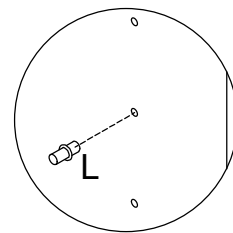
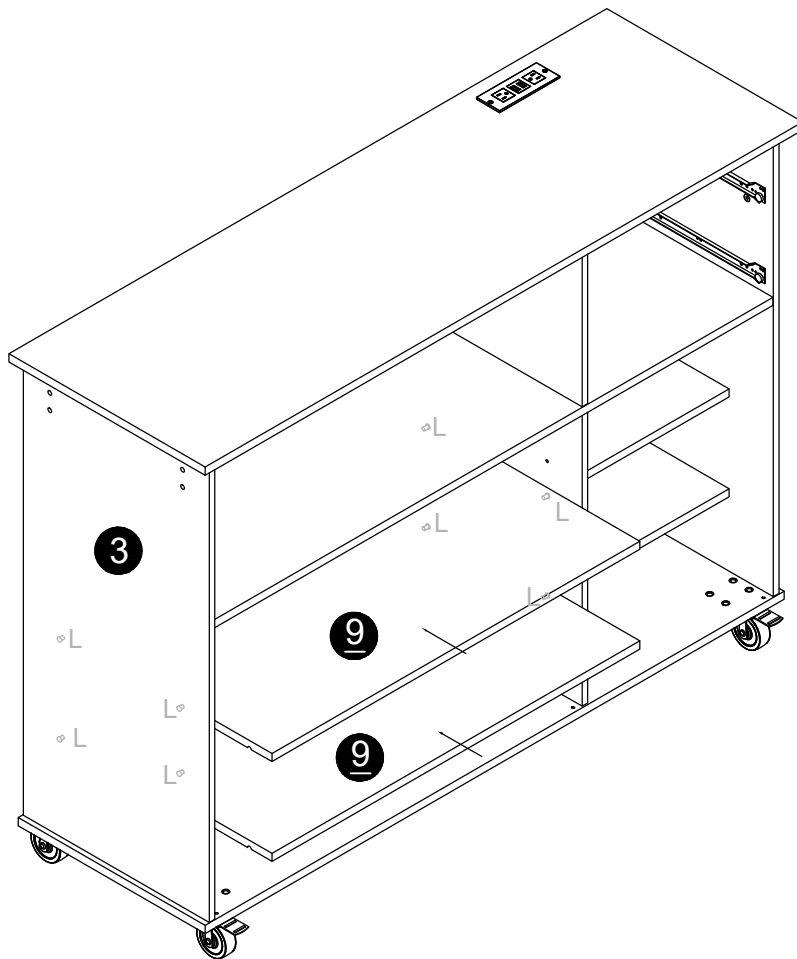


Ix19



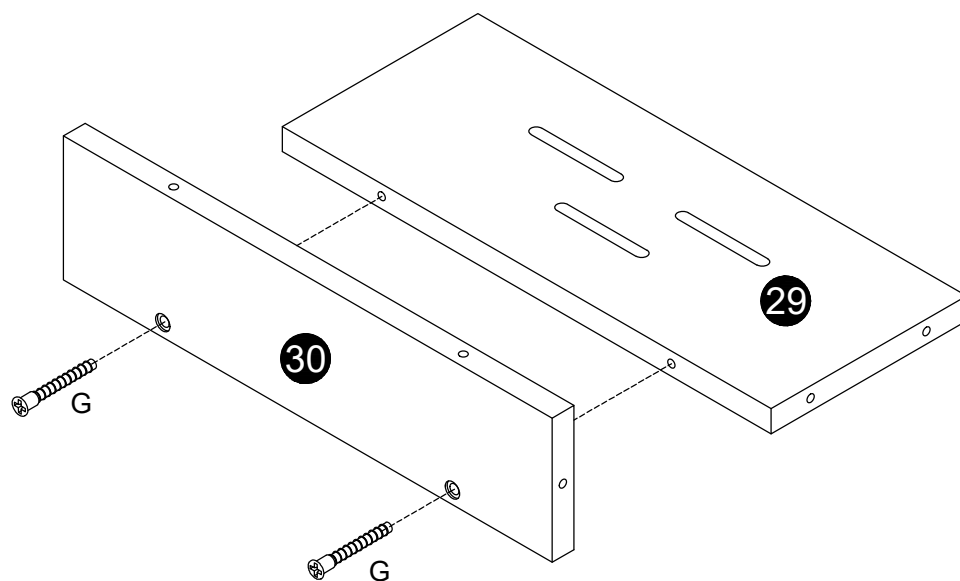
23

Lx8



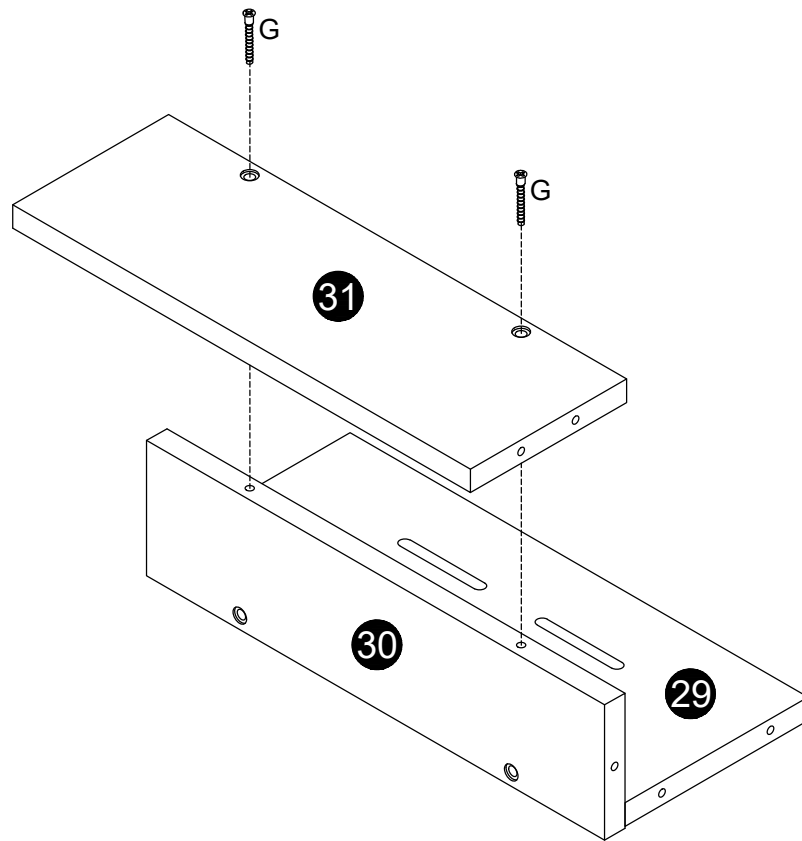
24

Gx2



25

Gx2

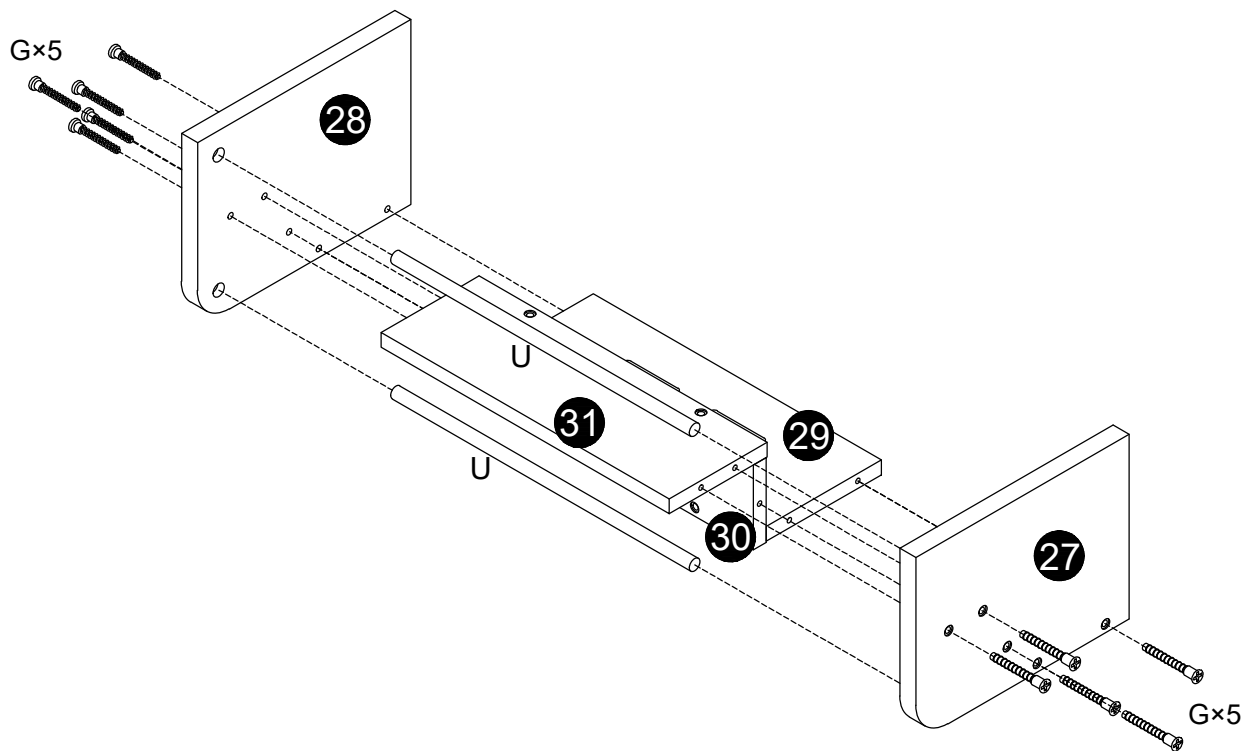


26


Gx10

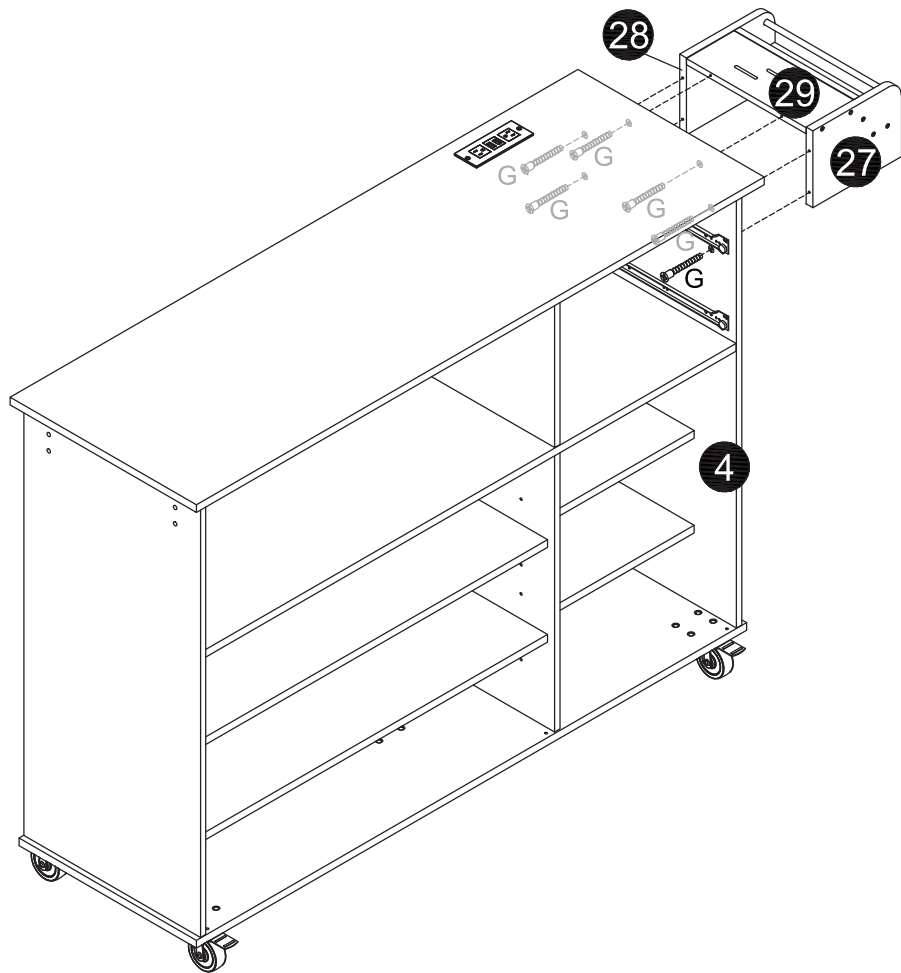


Ux2




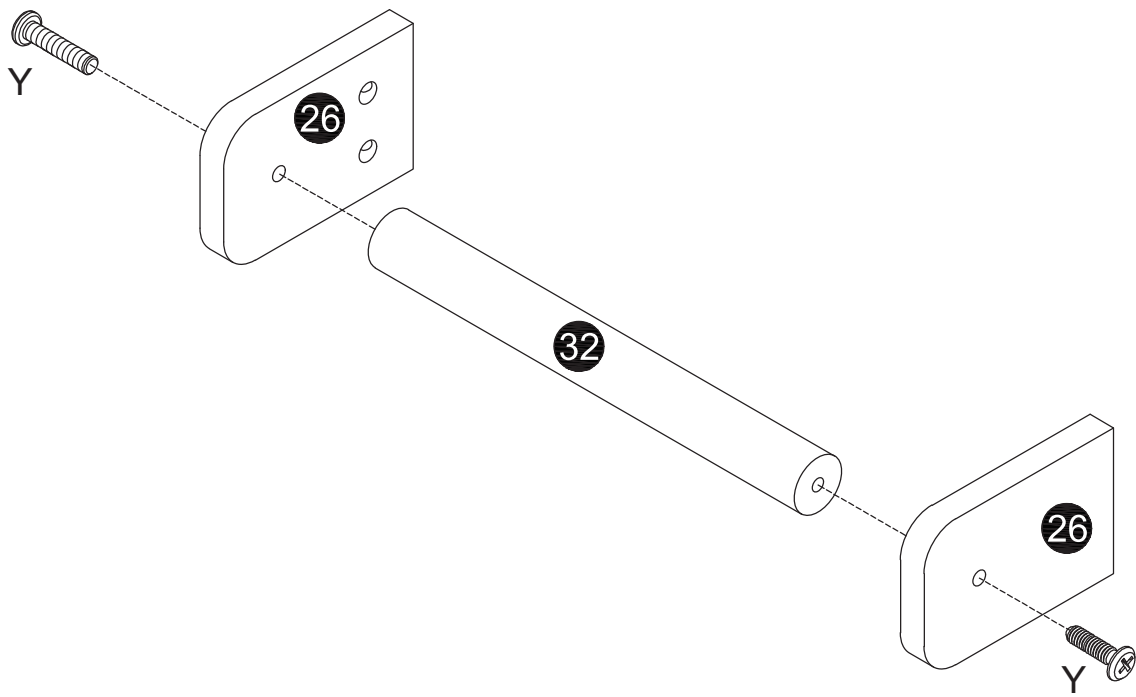
27

Gx6 




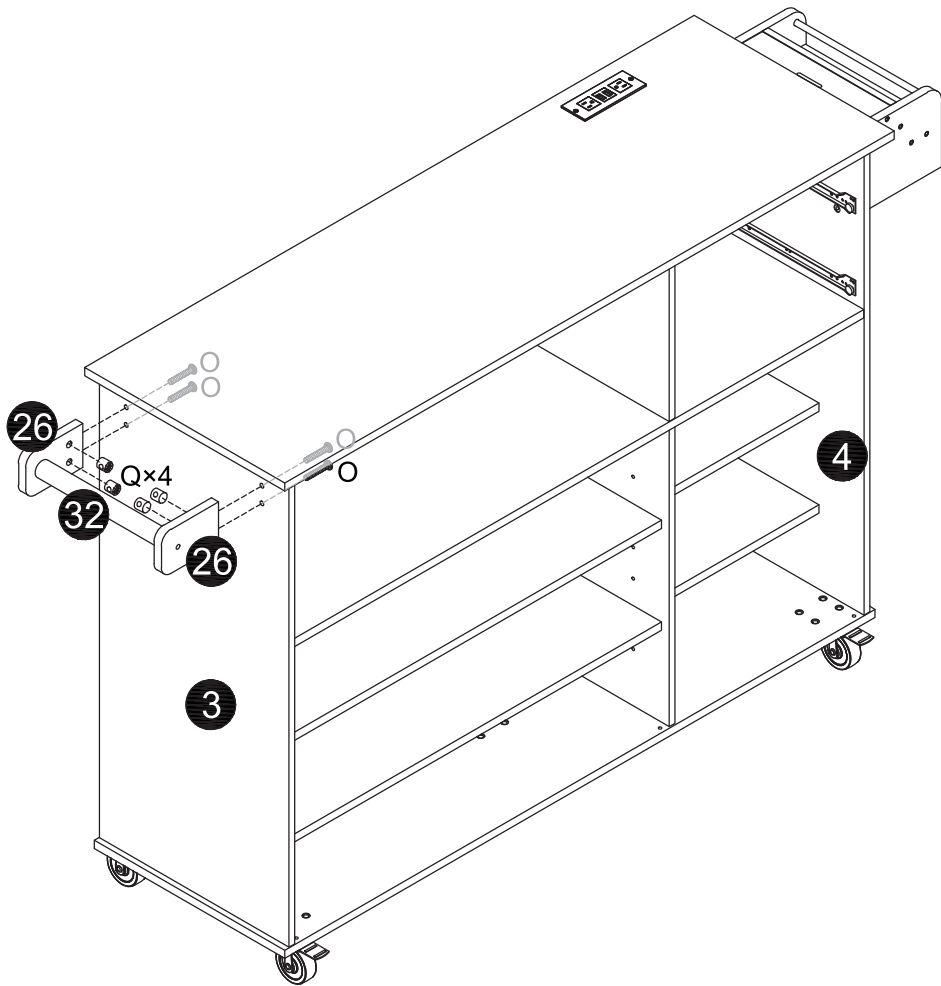
28

Yx2 





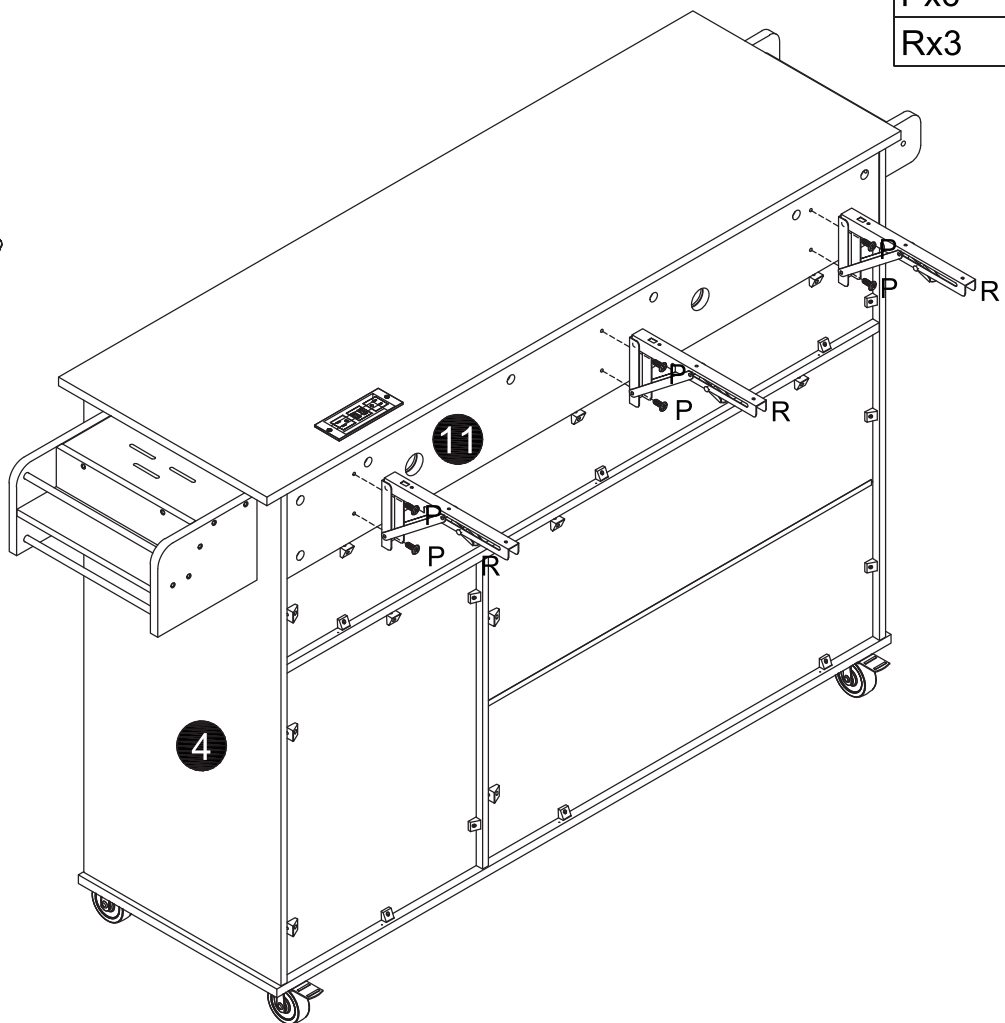
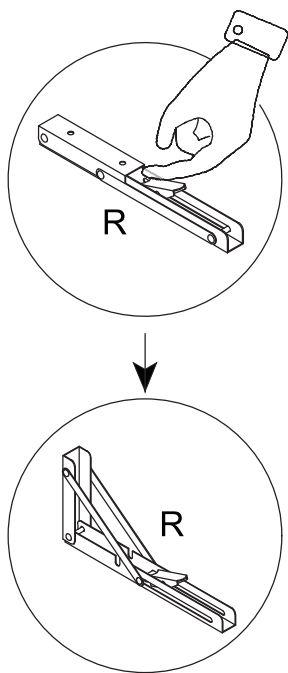
29

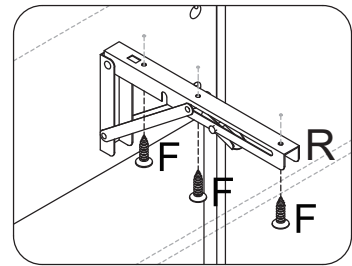
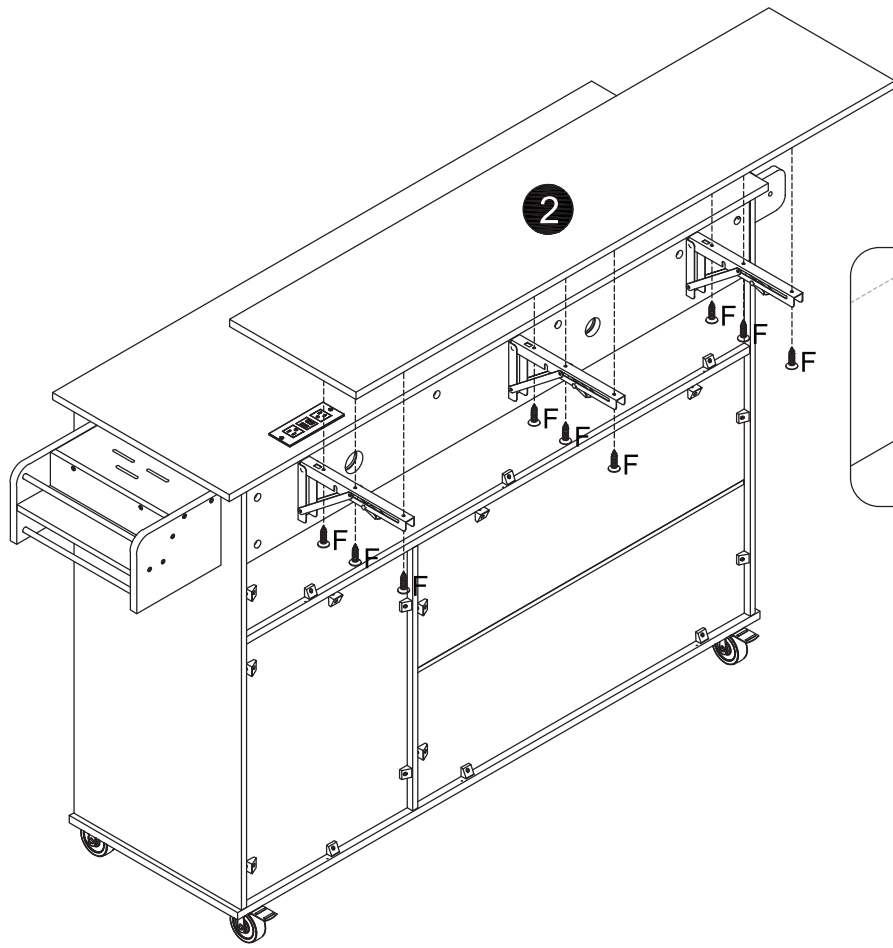
Ox4	
Qx4	



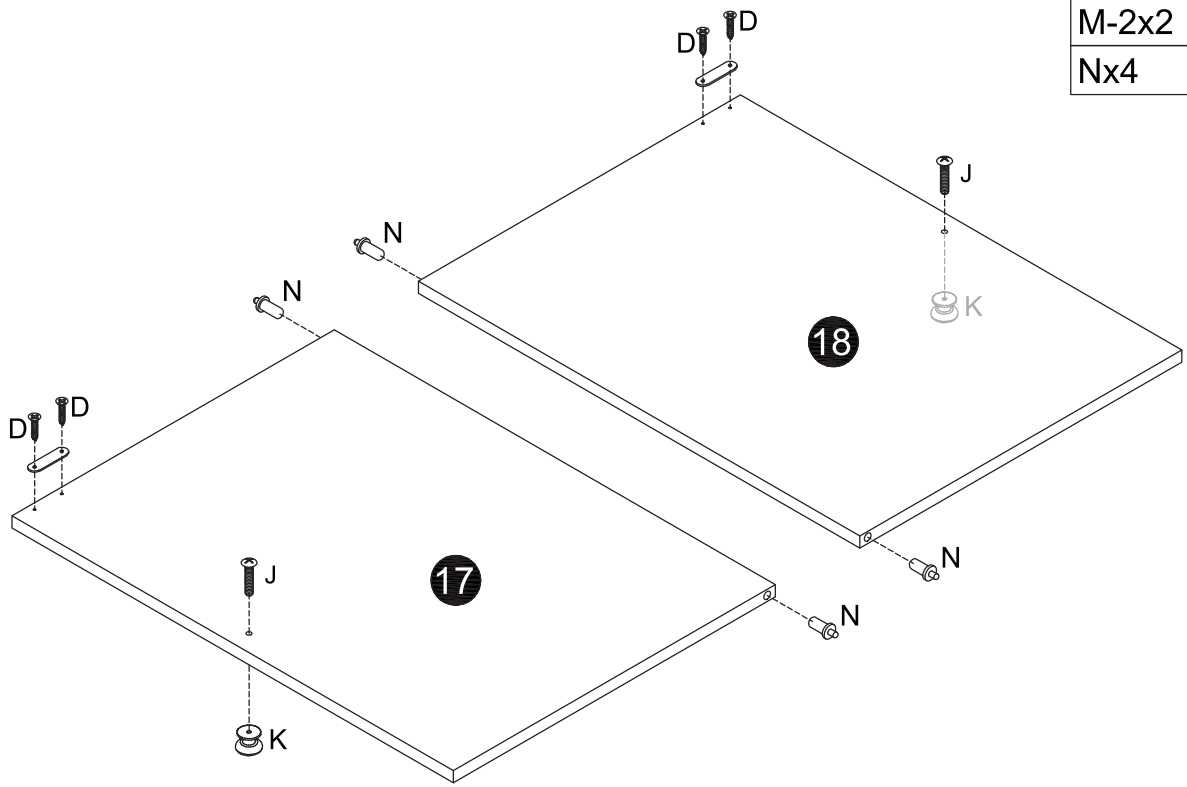
30

Px6	
Rx3	

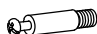







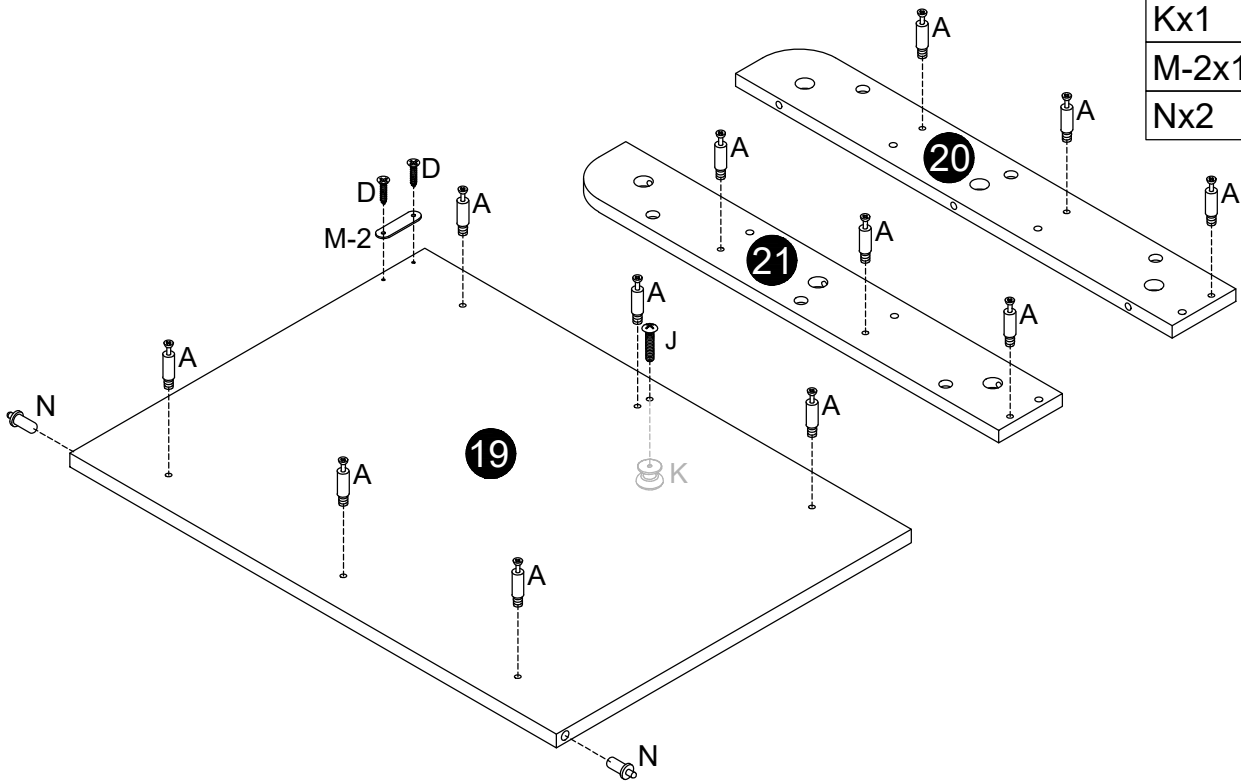


Dx4	
Jx2	
Kx2	
M-2x2	
Nx4	



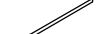


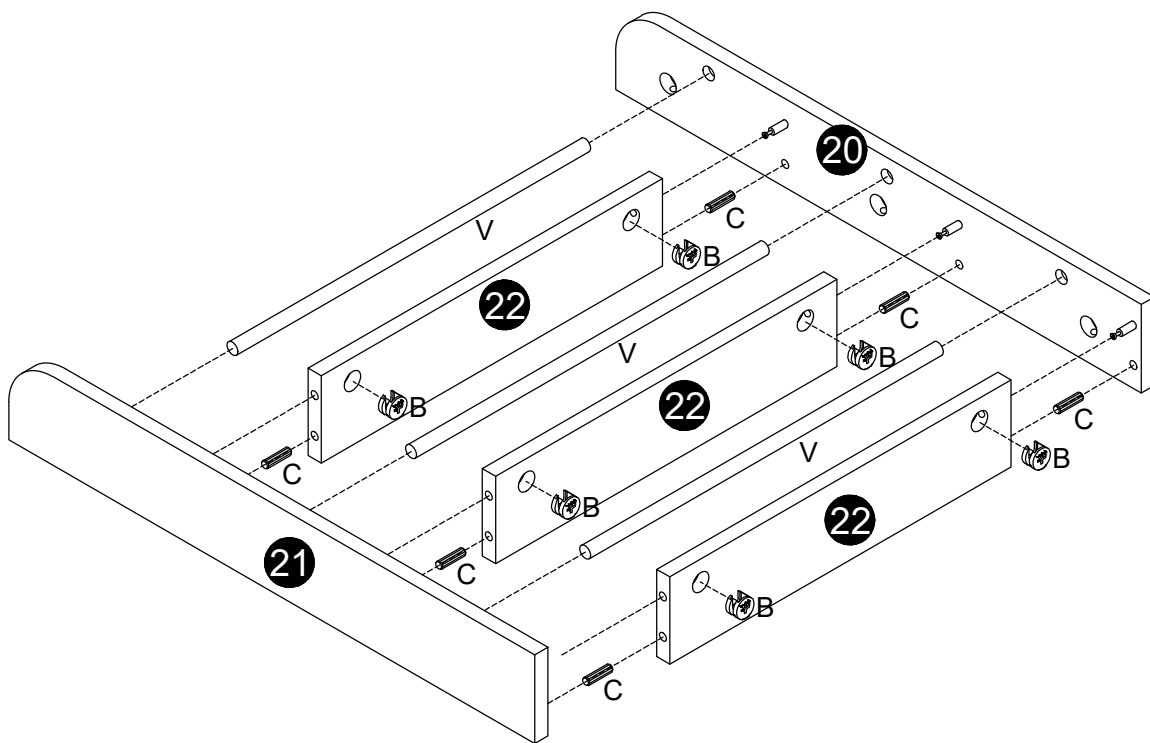
33

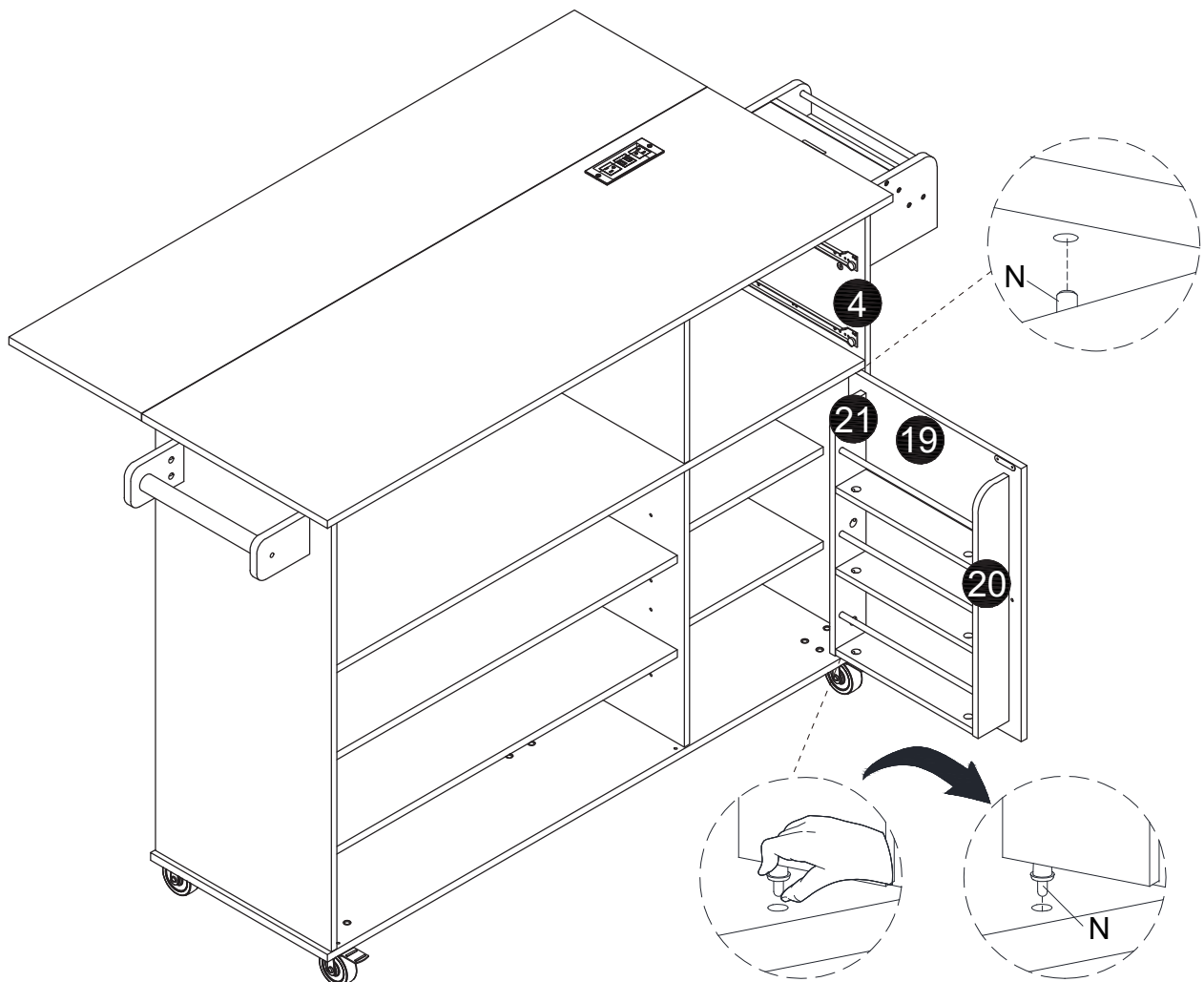
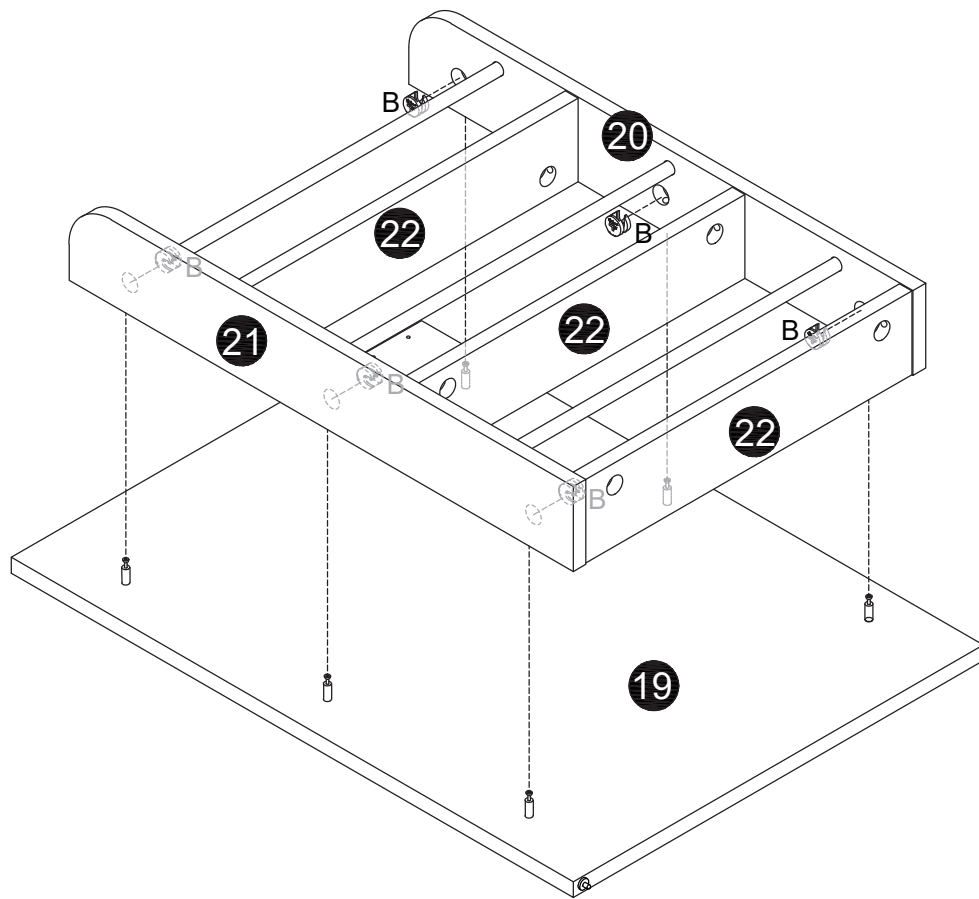
Ax12	
Dx2	
Jx1	
Kx1	
M-2x1	
Nx2	



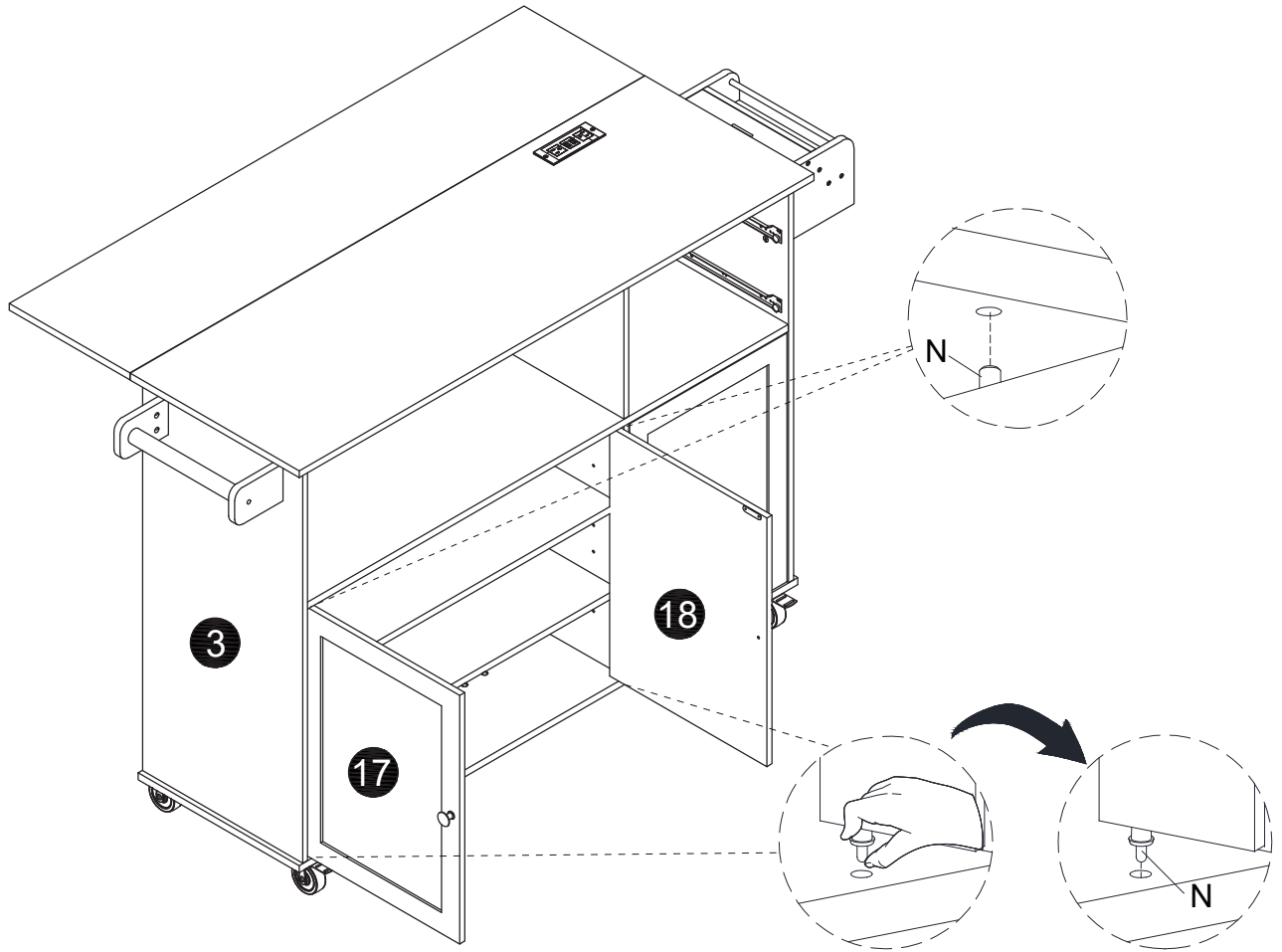
34

Bx6	
Cx6	
Vx3	





37



38

