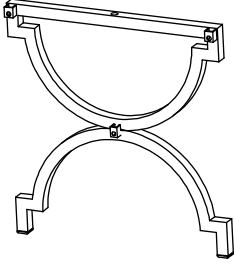
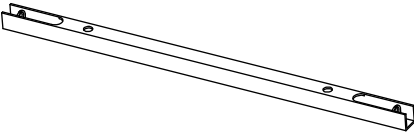
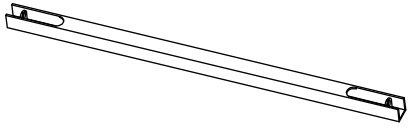
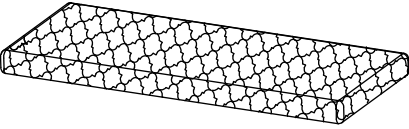
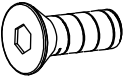
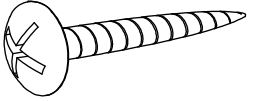
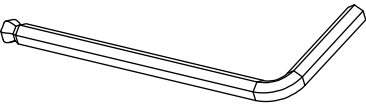
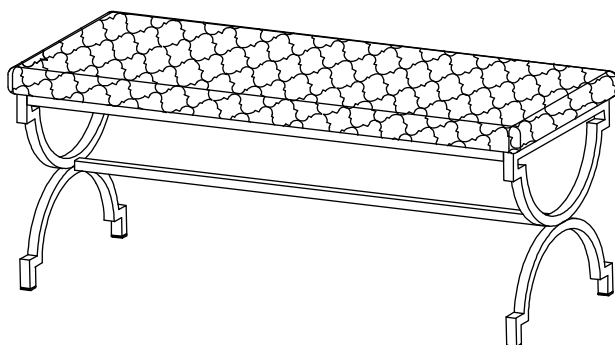


# ASSEMBLY INSTRUCTION

## FLASH BRASS BENCH

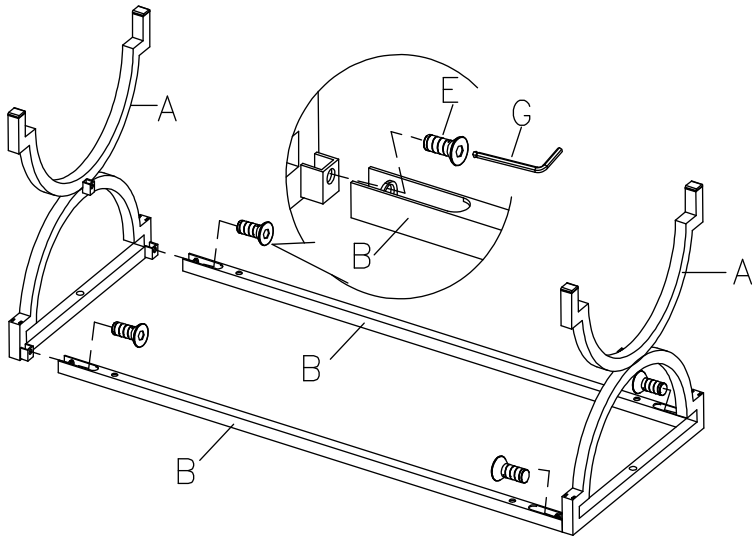
<b>A</b> Side Panel  2pcs	<b>B</b> Stretcher  2pcs	<b>C</b> Stretcher  1pc
<b>D</b> Cushion  1pc	<b>E</b> Bolt 1/4"x1/2"  6pcs	<b>F</b> Wood Screw  6pcs
<b>G</b> Allen Wrench  1pc		



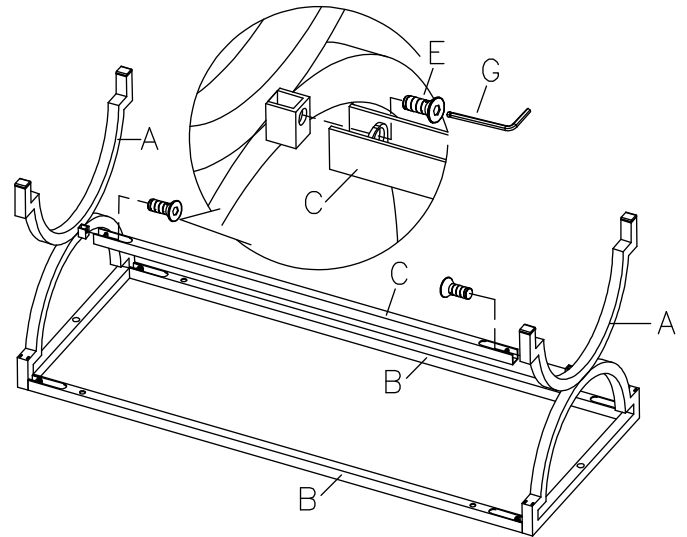
This page lists all the contents included in the box. Please take the time to identify the hardware as well as the individual components to this product. As you unpack and prepare for assembly, place the contents on a carpeted or padded area to protect them from damage.

**\*\*\* Do not tighten screws & bolts until the entire unit is completely assembled.**

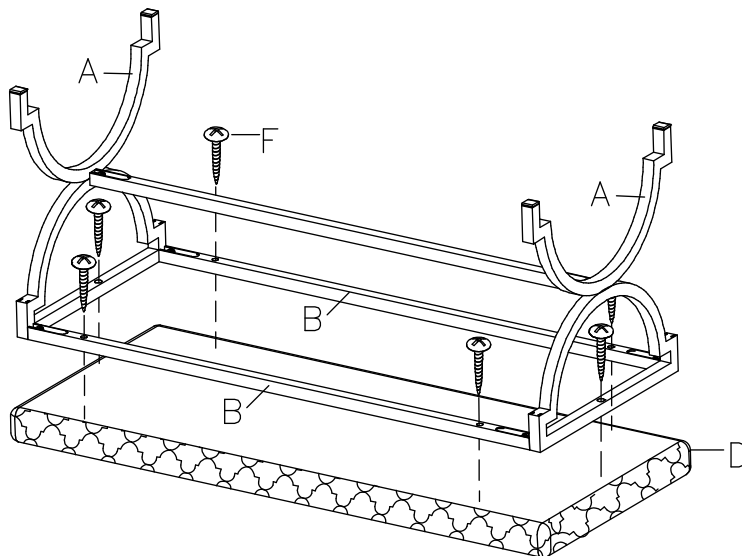
**1** Attach stretcher (B) to side panel (A) by using bolt (E) and allen wrench (G).



**2** Attach the stretcher (C) to the hole between the middle of the side panel (A) by using bolt (E) and allen wrench (G) as shown.



**3** Fix the assembled metal base on cushion (D) by using wood screw (F) as shown below. Carefully turn the assembled unit upright. The stool assembly is now complete.



### Cleaning & Care

Treat surface with care. Surface is resistant to scratches but is not scratch resistant. Clean surfaces with a dry or damp soft cloth. Do not use abrasive cleaners. Hardware may loosen over time. Periodically check that all connections are tight.