

# **INSTALLATION**

## *Product Manual*

Version: 020487US-01-24A-XD



### **IMPORTANT INFORMATION!**

please read the entire manual before starting to assemble and/or using this product. follow the manual thoroughly and keep it for further reference.



### **AVOID SCRATCHES!**

In order to avoid scratching this furniture should be assembled on a soft layer- could be a rug.



### **IMPROVE EFFICIENCY !**

Try to find a partner to install with you, which can speed up the installation efficiency and shorten the time.



### **ANTI-TOPPLE WARNING !**

Overturnd furniture can cause serious or fatal crush injuries. To prevent tipping over, be sure to use the wall attachment, if not included with this product. Please purchase the wall attachment that fit your wall. If unsure, seek professional advice. Please read and follow each step of the instructions carefully.

### **IMPORTANT !**

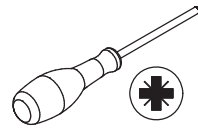
It is important that any product which is assembled using any kind of screw is re-tightened 2 weeks after assembly, and once every 3 months - in order to assure stability through-out the lifespan of the product.

For regular maintenance and cleaning of the product, for the frame, please use a rag dipped in neutral detergent to fully wipe it, and then dry it with a clean rag. For glass materials, wipe with a rag dampened with water glass cleaner, and then dry with a dry rag.

Do not use an electric screwdriver, and do not use too much force when installing, because the board is easy to break.

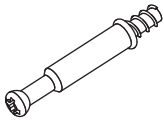


Please prepare the following tools



When installing, please carefully confirm whether each screw corresponds to the manual, accessories with similar shapes can be distinguished by size

A x 42+4



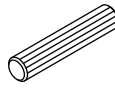
Ø6 x 35 mm

B x 42+4



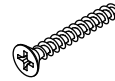
Ø15 x 9.6 mm

C x 37+4



Ø8 x 30 mm

D x 20+2



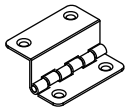
Ø4 x 35 mm

E x 132+4

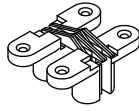


Ø3 x 12 mm

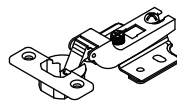
F x 10



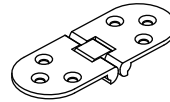
G x 7



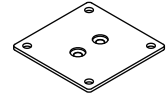
H x 4



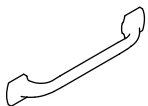
J x 8



K x 12



L x 6



M x 12+1

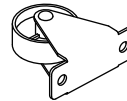


Ø4 x 16 mm

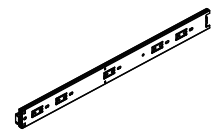
N x 3



P x 6



Q x 6



R x 148+4



Ø4 x 14 mm

S x 10

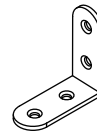


T x 26+3

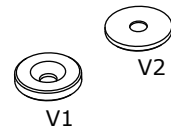


Ø3 x 14 mm

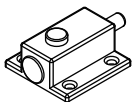
U x 8



V x 2



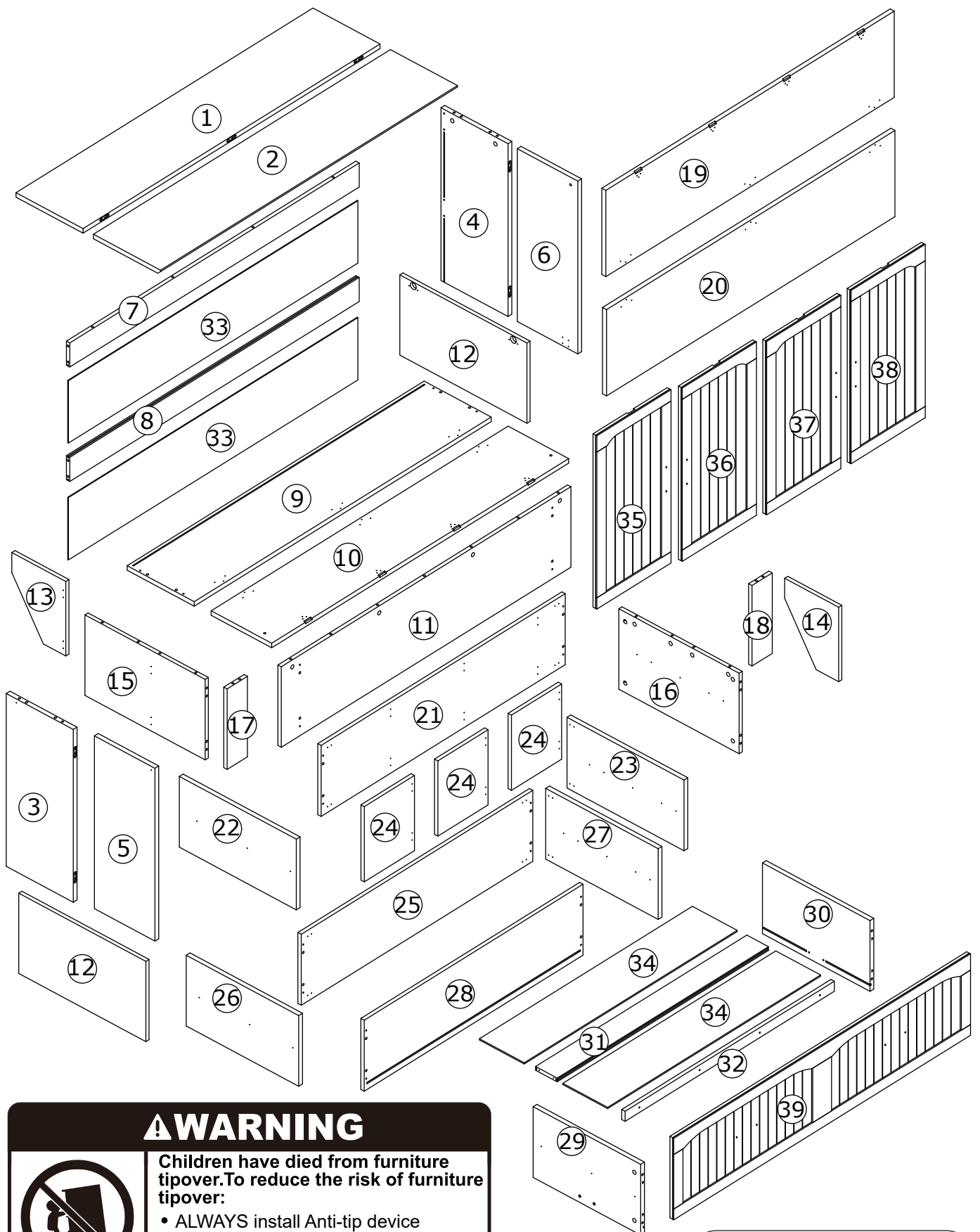
W x 4



X x 32+3



Ø4 x 25 mm



## ⚠ WARNING

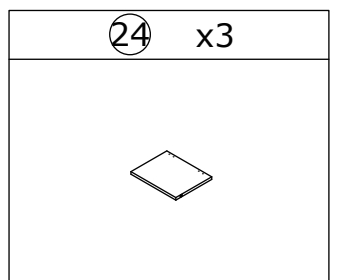
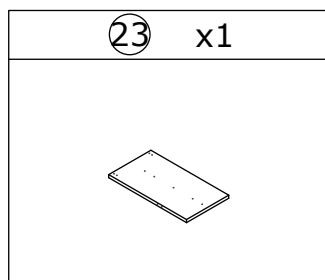
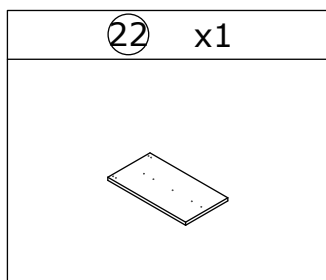
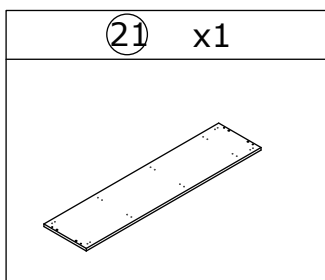
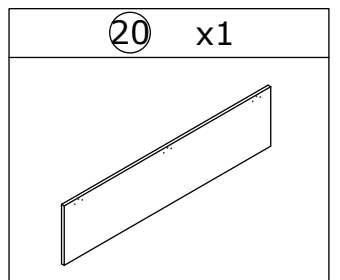
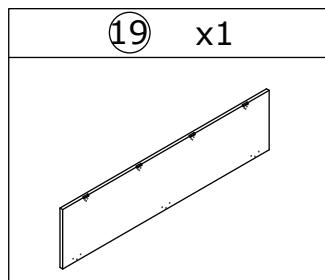
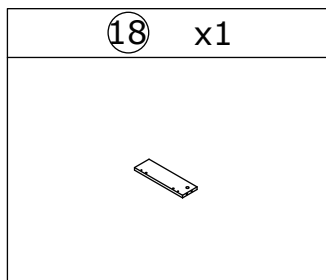
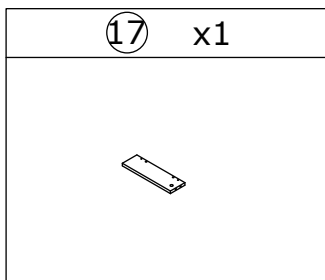
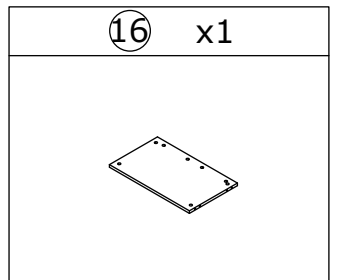
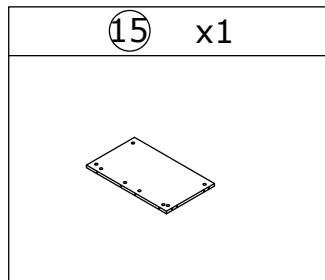
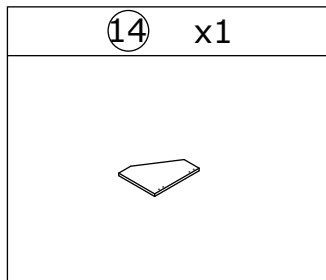
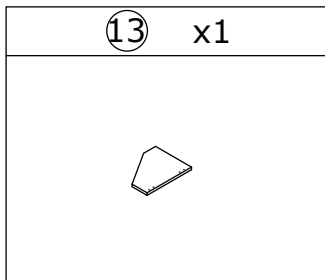
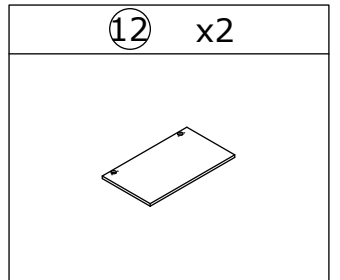
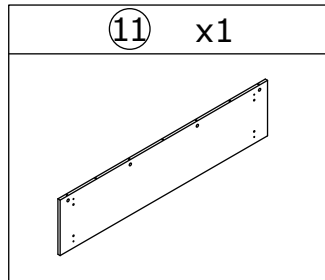
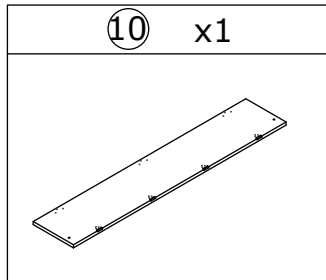
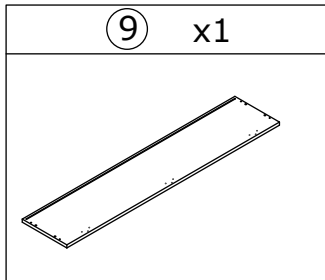
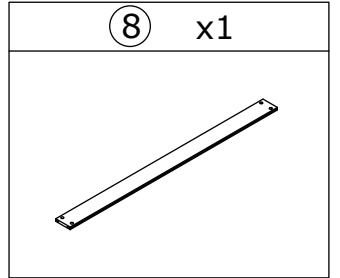
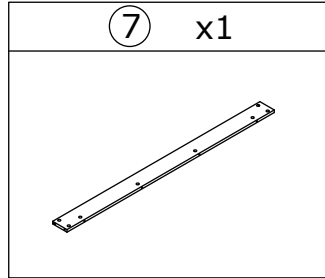
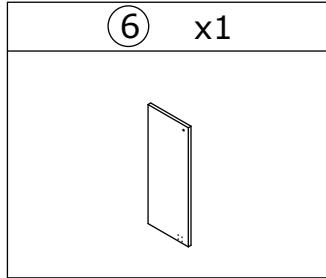
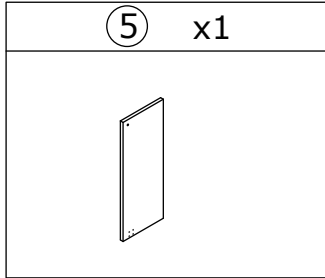
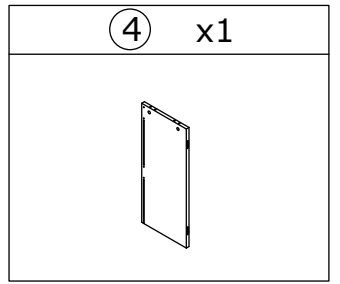
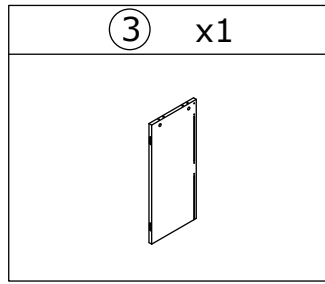
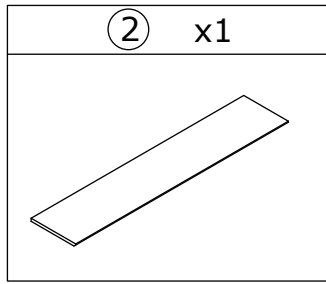
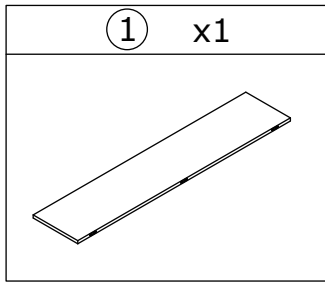


**Children have died from furniture tipover. To reduce the risk of furniture tipover:**

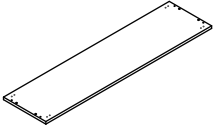
- ALWAYS install Anti-tip device provided.
- NEVER put a TV on this product.
- NEVER allow children to stand, climb or hang on drawers, doors, or shelves.
- NEVER open more than one drawer at a time.
- Place heaviest items in the lowest drawers.

*This is a permanent label.  
Do not remove!*

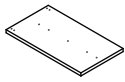




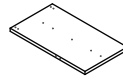
25 x1



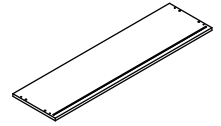
26 x1



27 x1



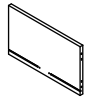
28 x1



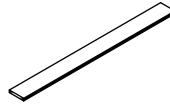
29 x1



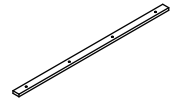
30 x1



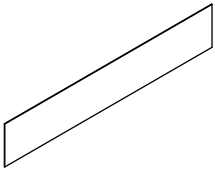
31 x1



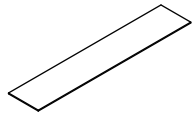
32 x1



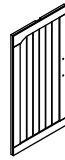
33 x2



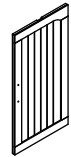
34 x2



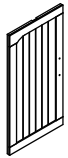
35 x1



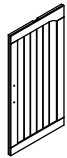
36 x1



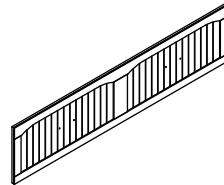
37 x1

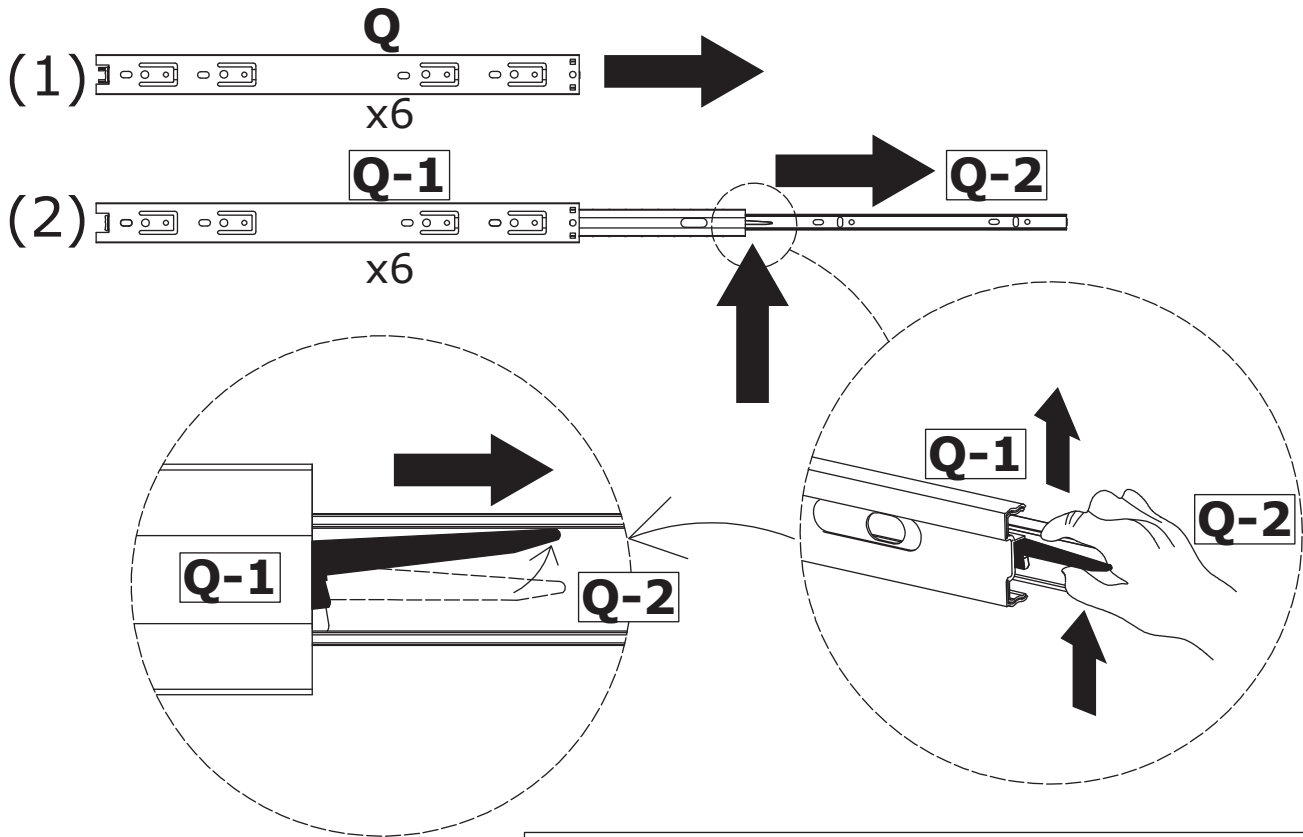


38 x1

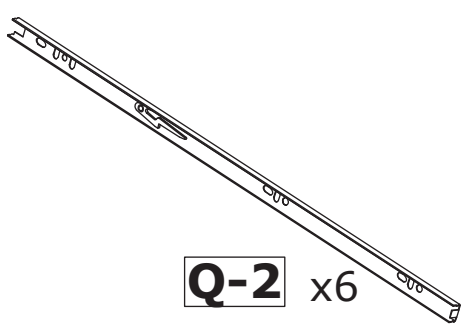
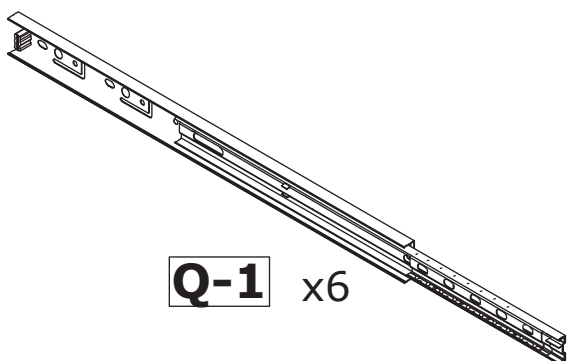
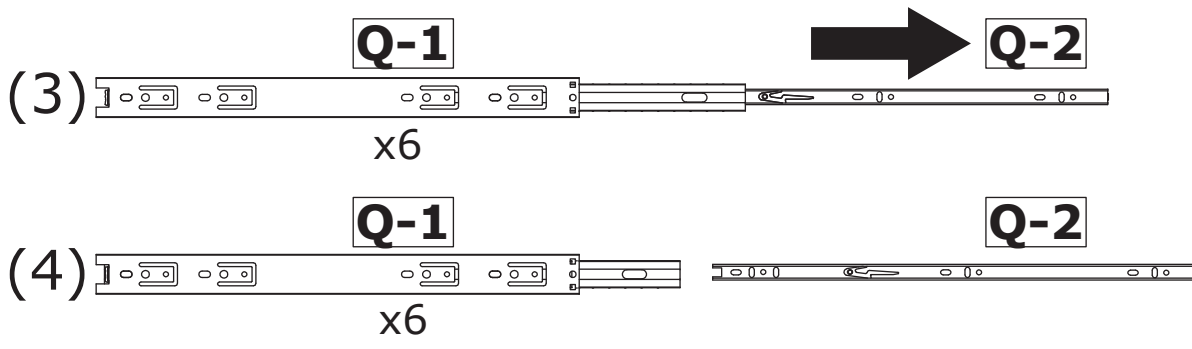


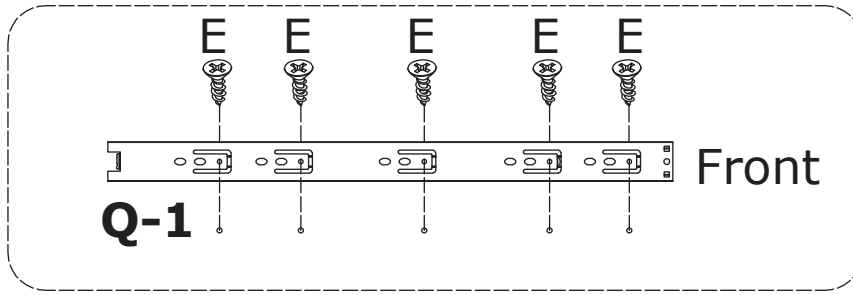
39 x1



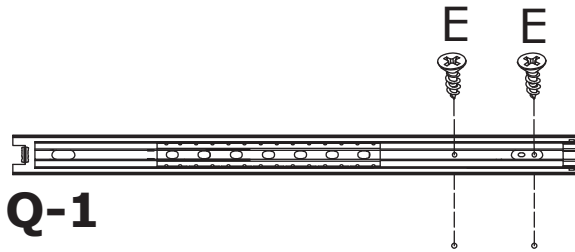


Move the black paddle upward and pull out (P-2) to the right.



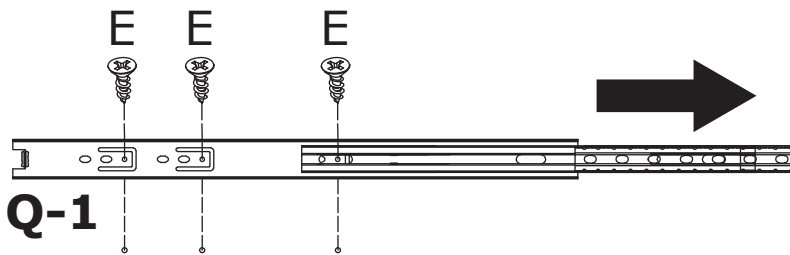


(1)



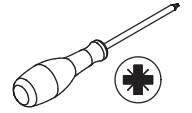
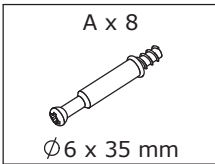
Refer to the figure above,  
lock the first, second and fifth holes first

(2)

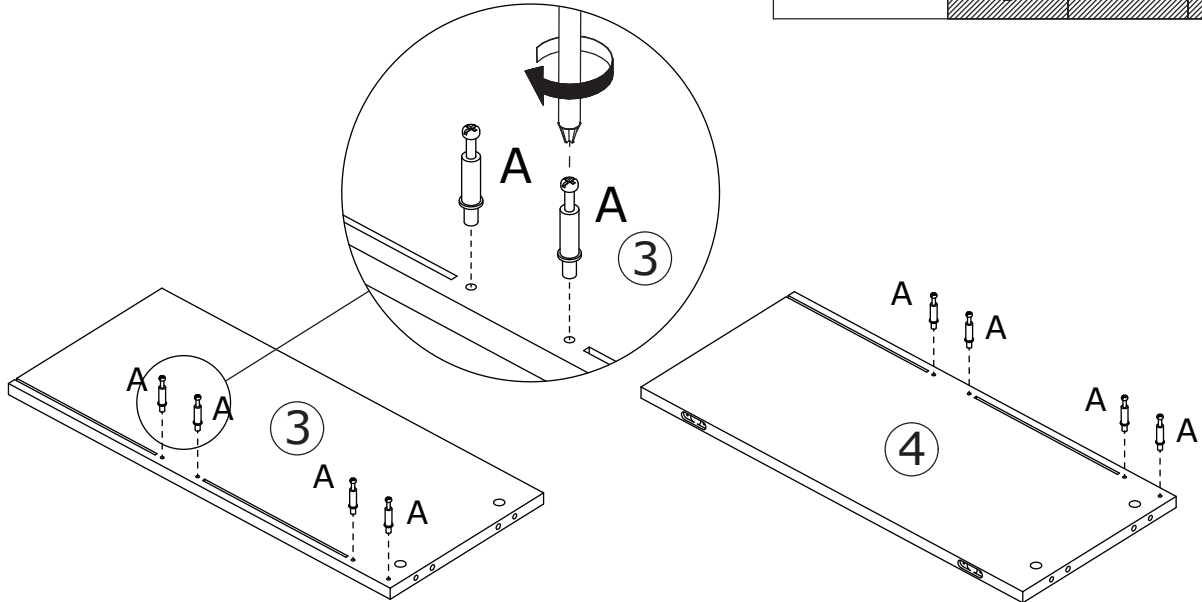
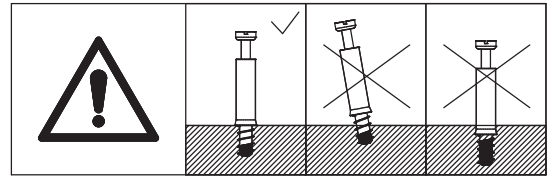


Refer to the figure above,  
open the second section and lock the third hole

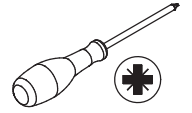
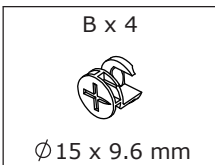
1



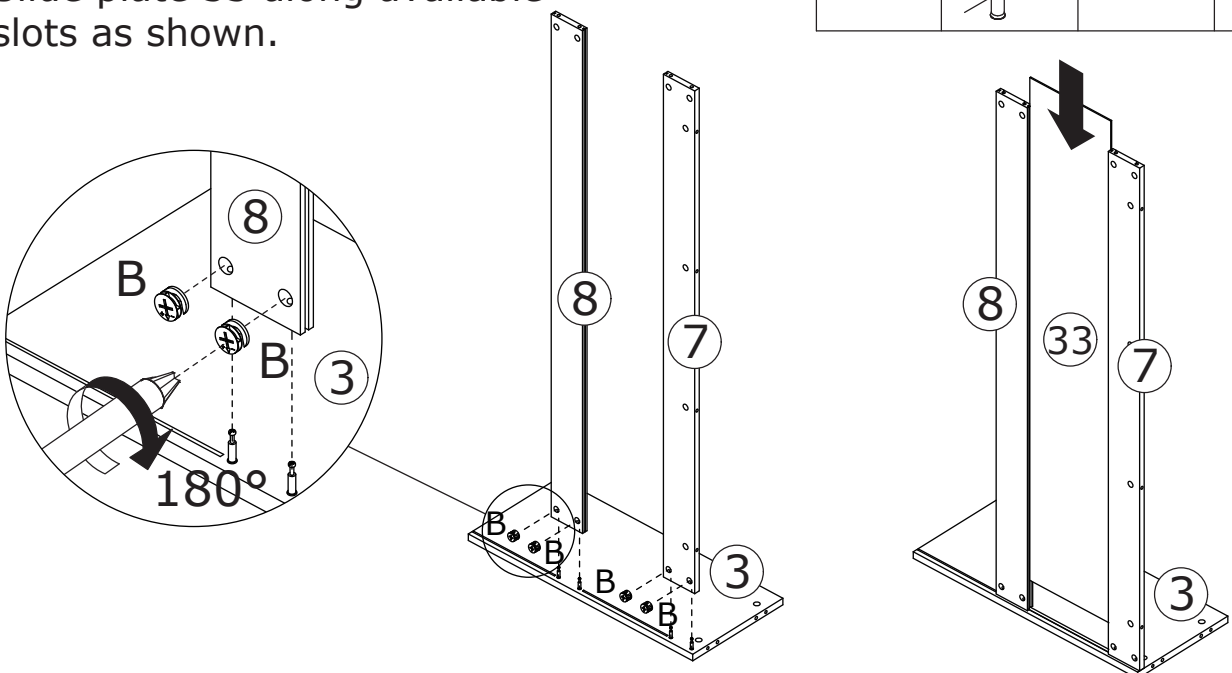
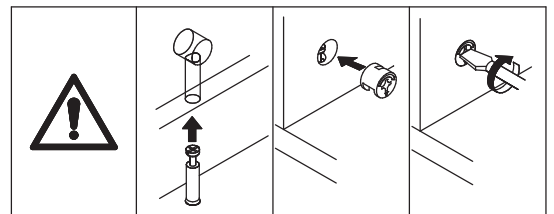
Screw eccentric rod(A)  
into plate 3 and 4 at first.



2

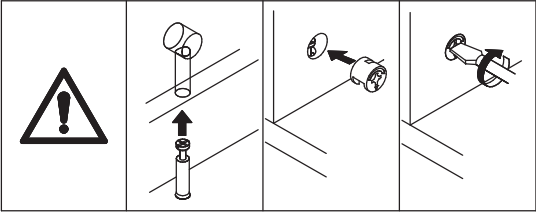
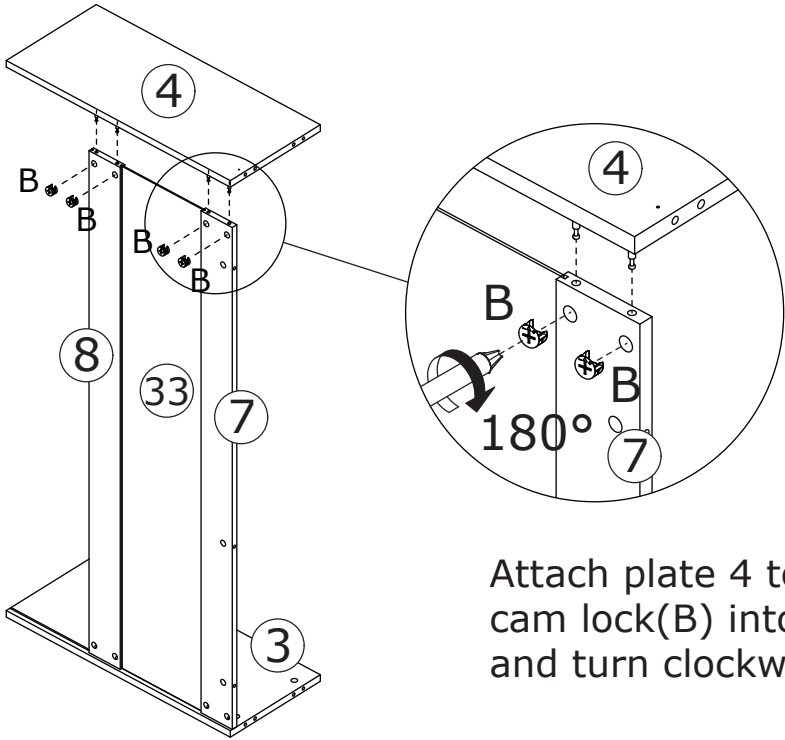


Attach plate 7 and 8 to plate 3, add cam  
lock(B) into holes in plate 7, 8 and turn  
clockwise to tighten as shown.  
Slide plate 33 along available  
slots as shown.



3

B x 4  
Ø15 x 9.6 mm

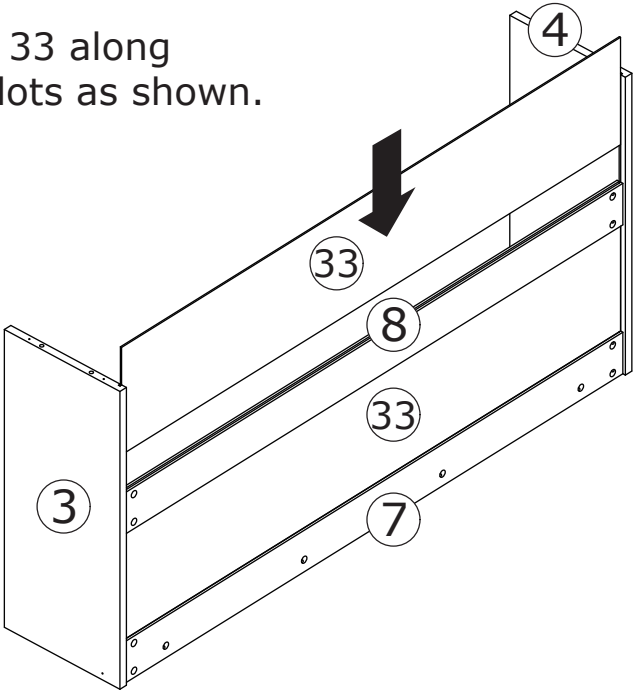


Attach plate 4 to plate 7 and 8, add cam lock(B) into holes in plate 7, 8 and turn clockwise to tighten as shown.

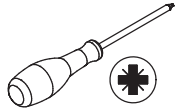
4



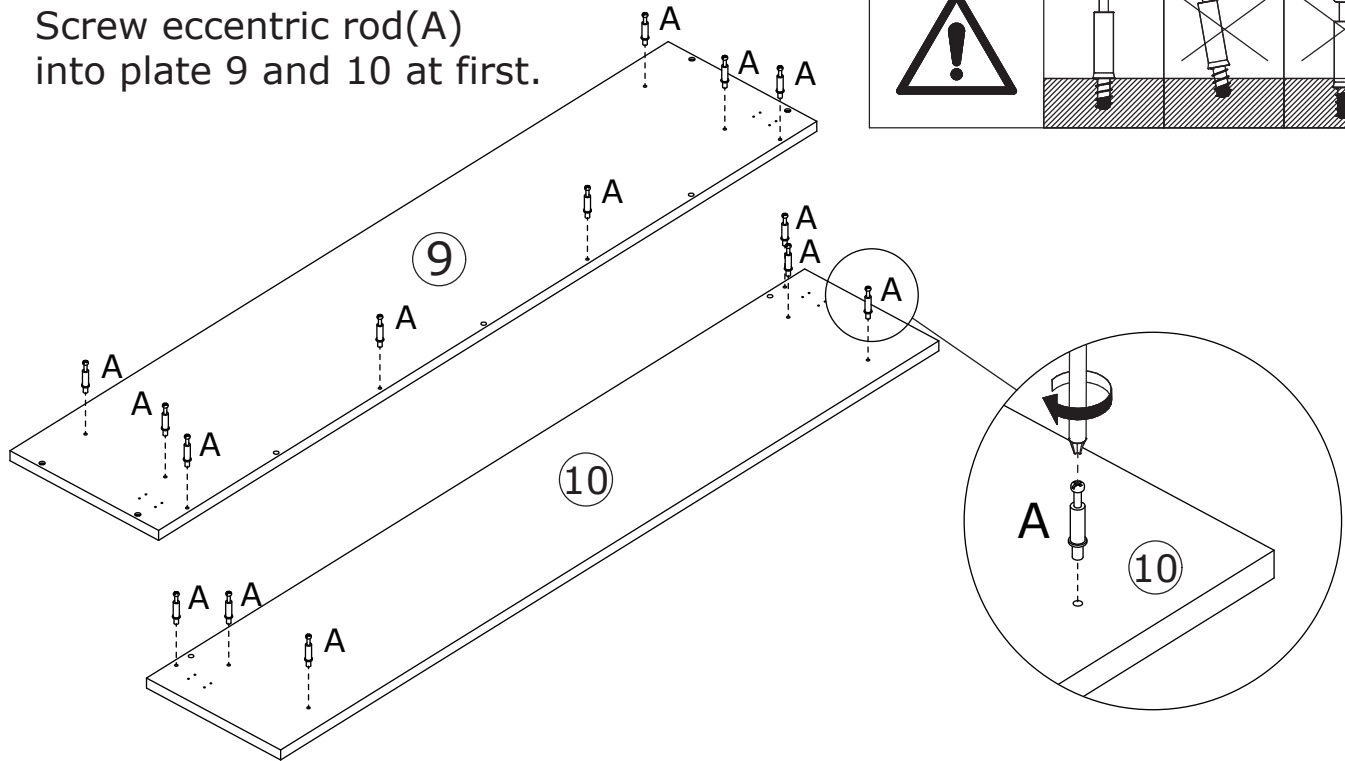
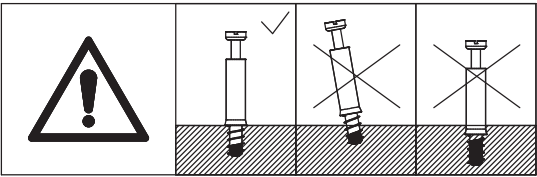
Slide plate 33 along available slots as shown.



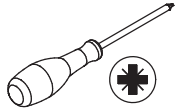
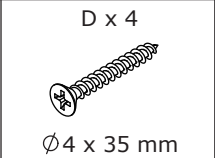
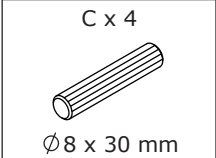
5



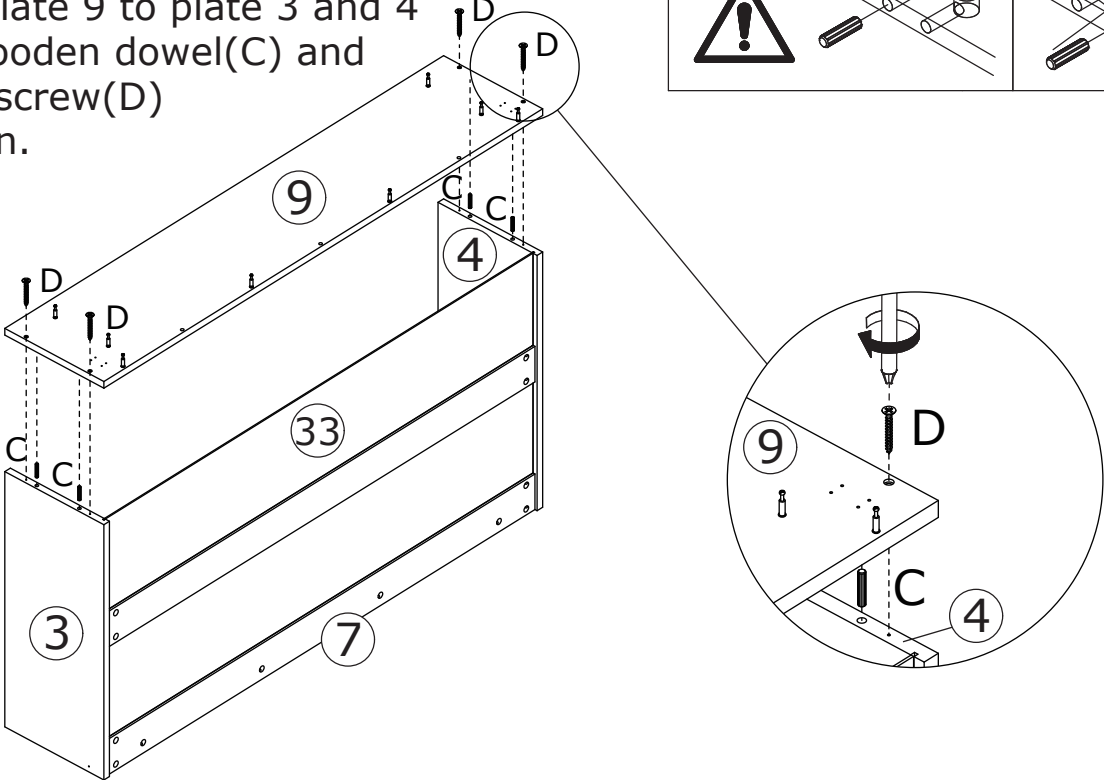
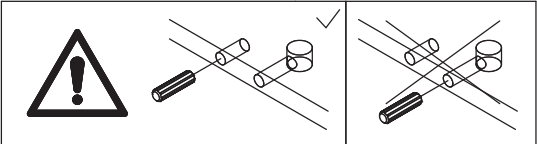
Screw eccentric rod(A)  
into plate 9 and 10 at first.



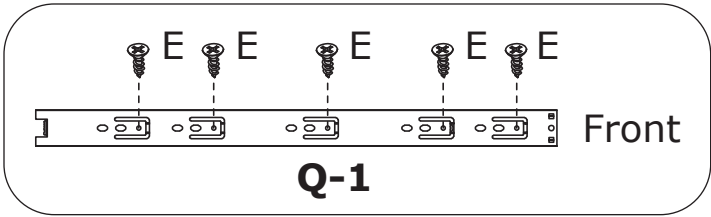
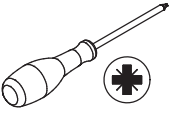
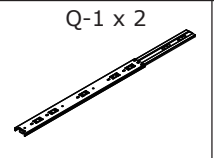
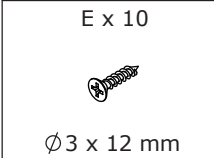
6



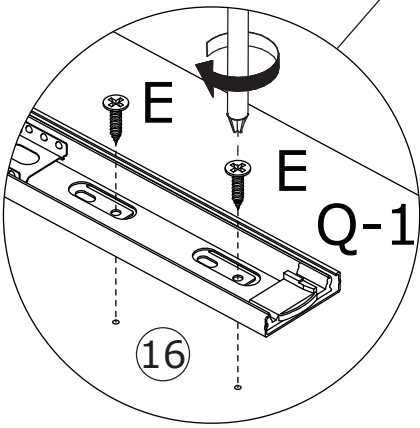
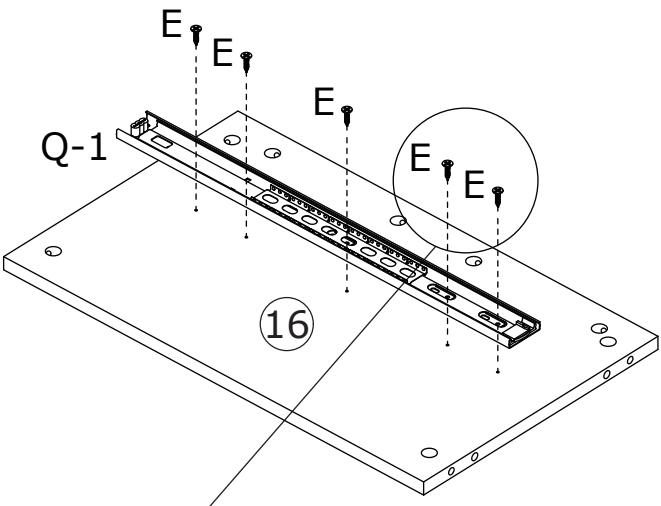
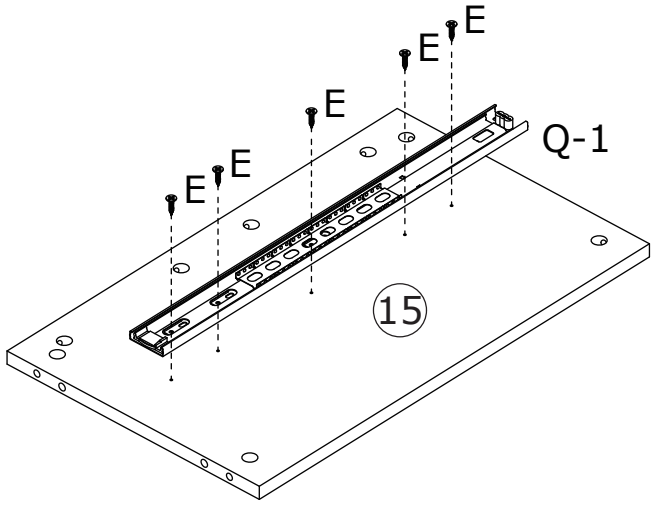
Attach plate 9 to plate 3 and 4  
using wooden dowel(C) and  
fix with screw(D)  
as shown.



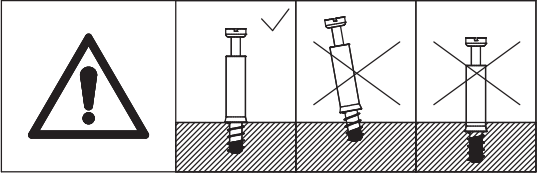
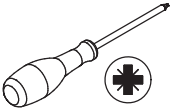
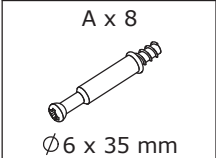
7



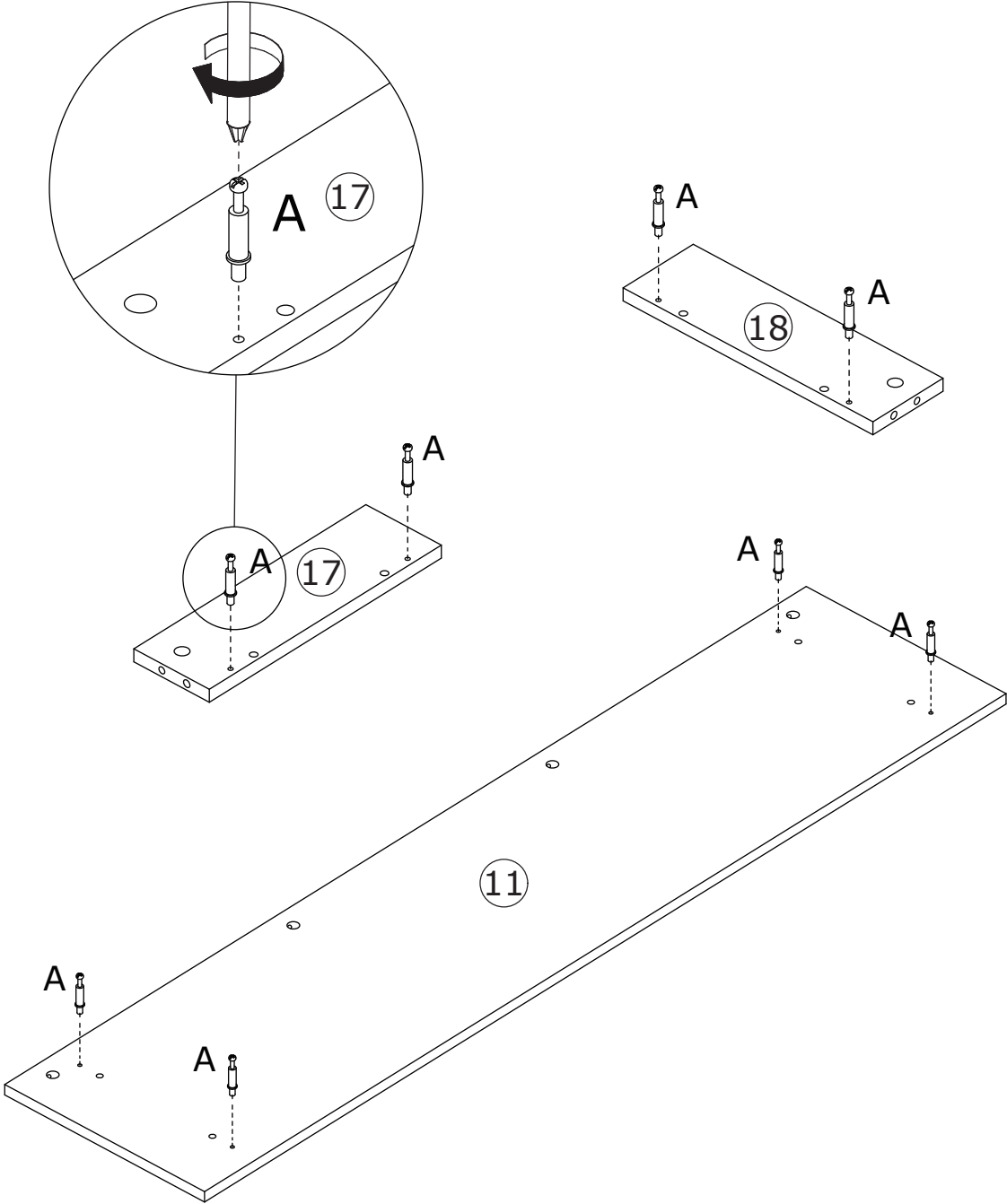
Separate glide into two parts at first(turn to page 7).  
Fix slide rail(Q-1) to plate 15 and 16 with screw(E) as shown.



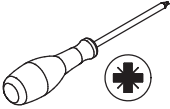
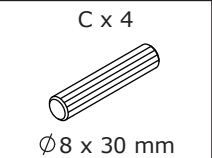
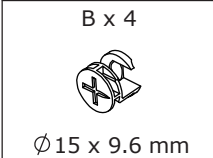
8



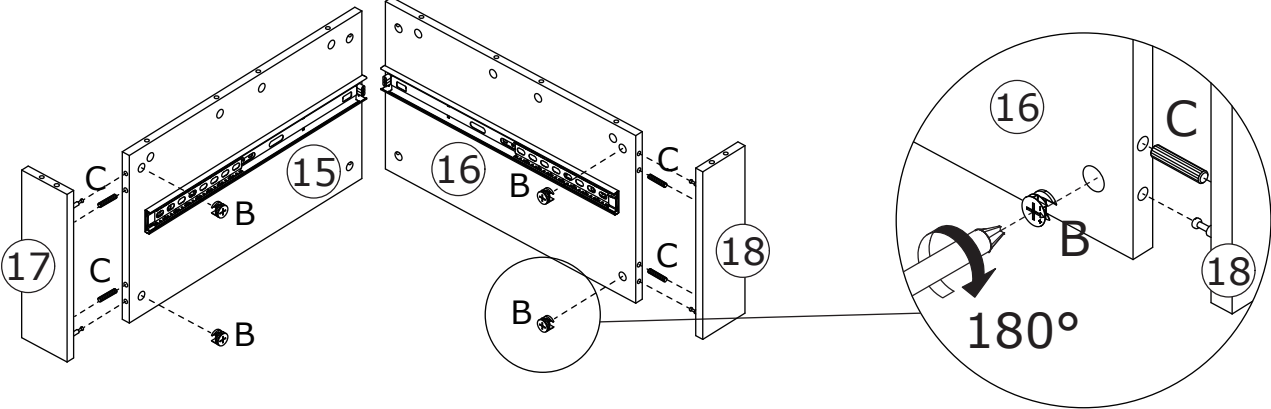
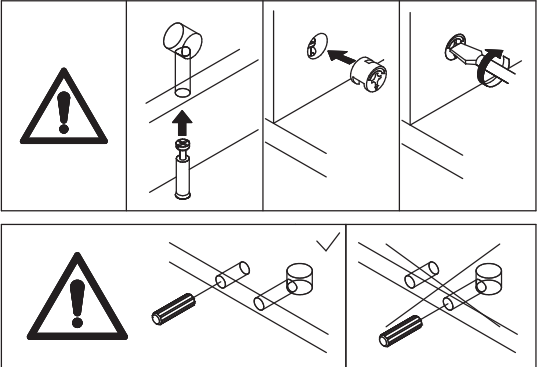
Screw eccentric rod(A) into plate 11, 17 and 18 at first.



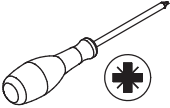
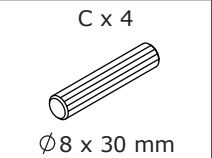
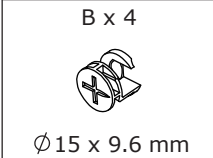
9



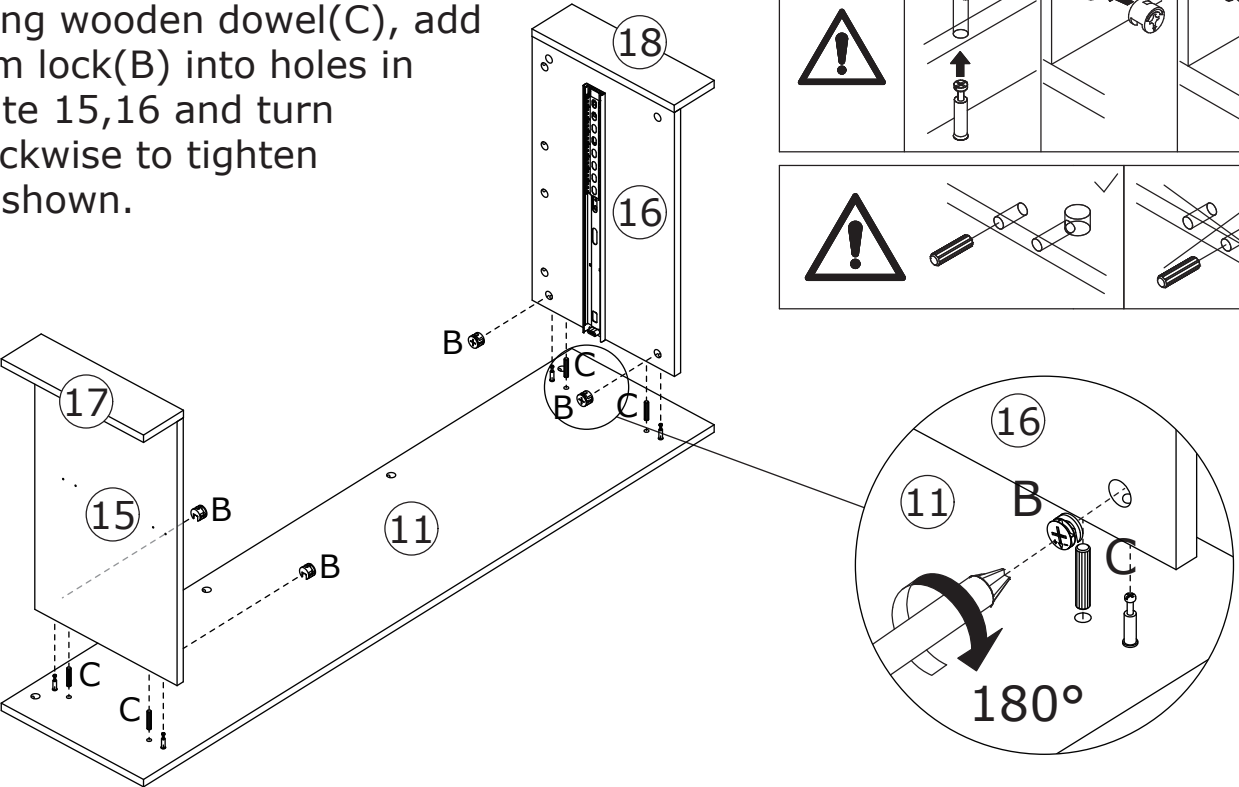
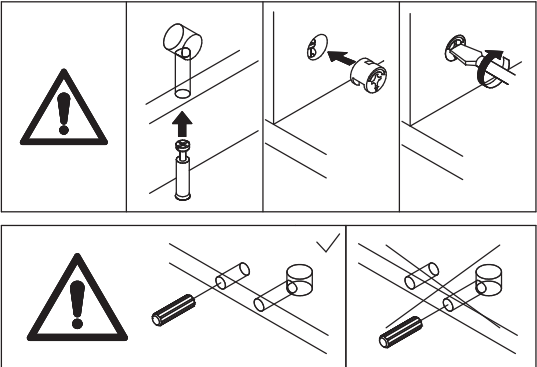
Attach plate 17 to plate 15 and plate 18 to plate 16 using wooden dowel(C), add cam lock(B) into holes in plate 15, 16 and turn clockwise to tighten as shown.



10



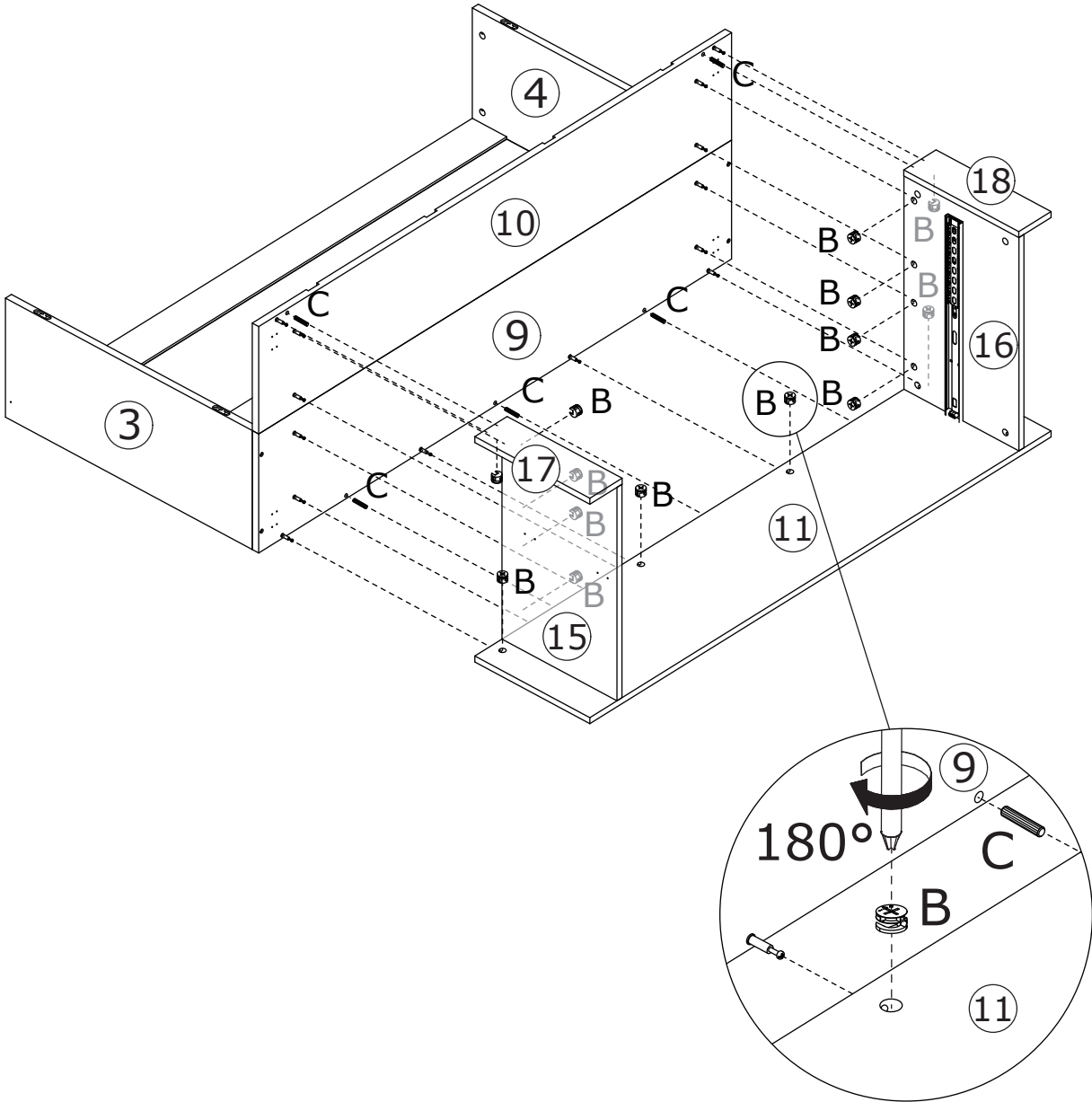
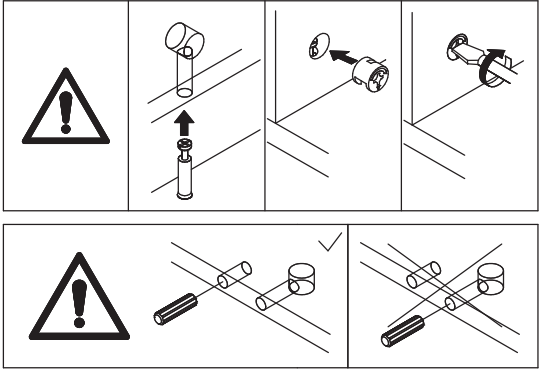
Attach plate 15 and 16 to plate 11 using wooden dowel(C), add cam lock(B) into holes in plate 15,16 and turn clockwise to tighten as shown.



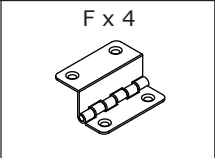
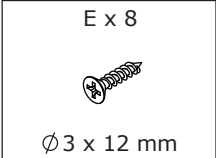
11



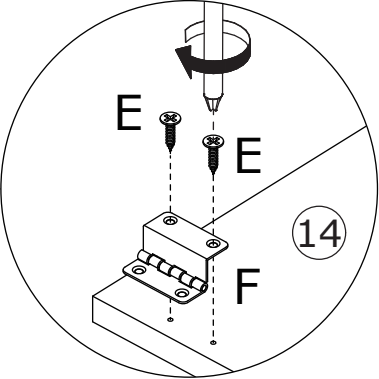
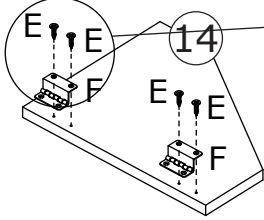
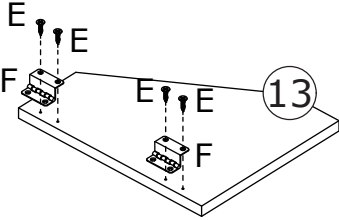
Insert wooden dowel(C) into plate 11, 17 and 18 at first.  
Attach the component(plate 9) and plate 10 to plate 11, 15, 17, 16 and 18 using wooden dowel(C), add cam lock(B) into holes and turn clockwise to tighten as shown.



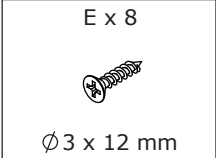
12



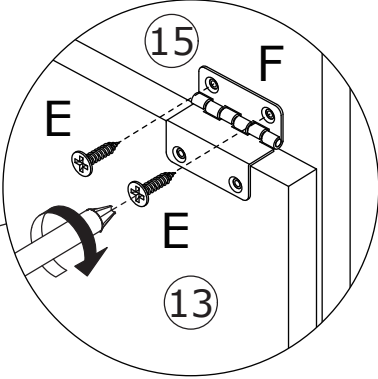
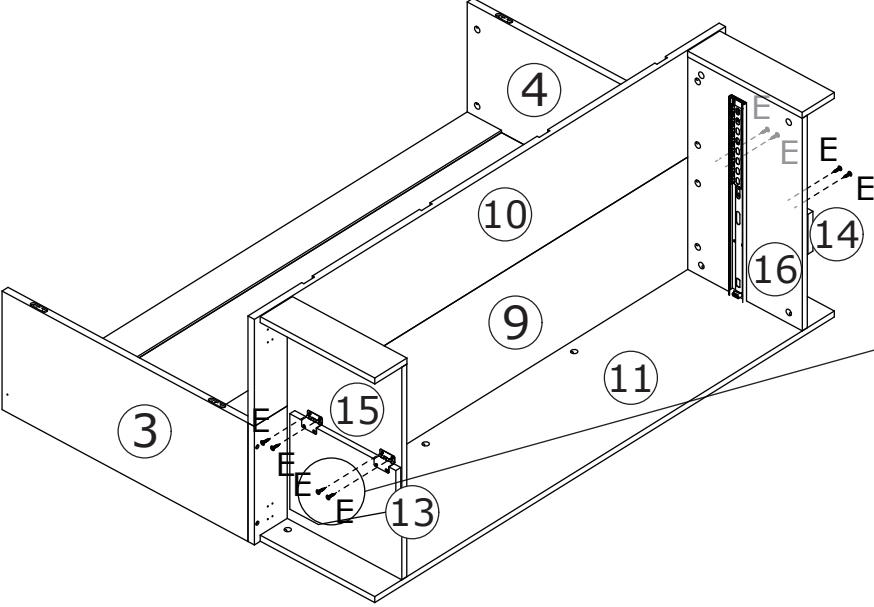
Fix hinge(F) to plate 13 and 14 with screw(E) as shown.



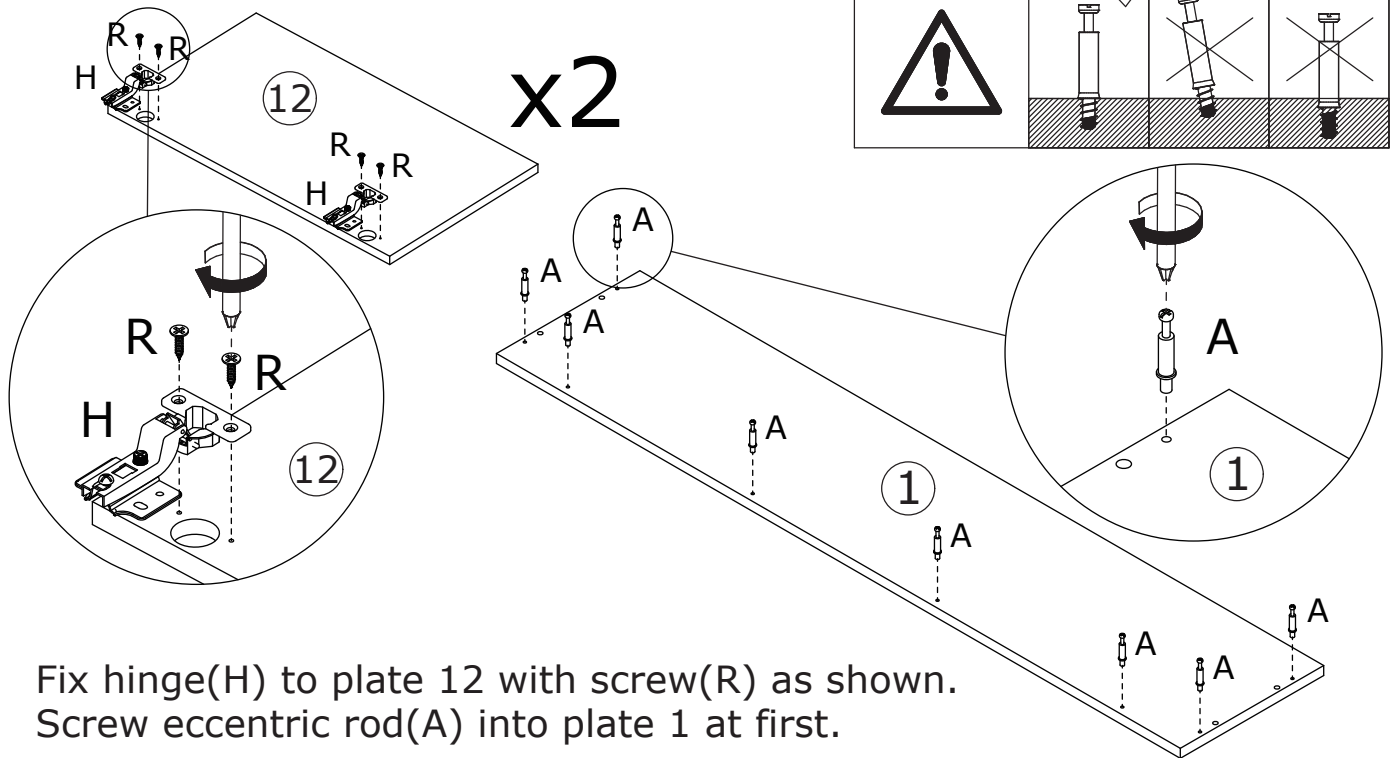
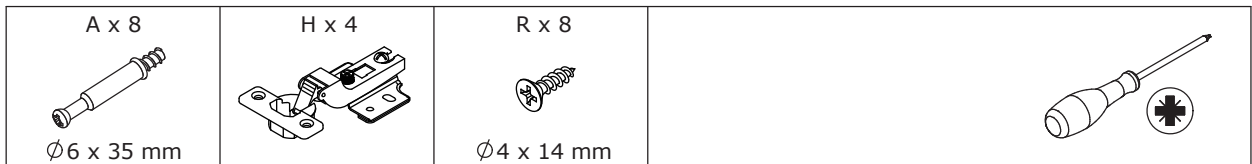
13



Fix plate 13 and 14 to plate 15 and 16 by fixing hinge with screw(E) as shown.



# 14

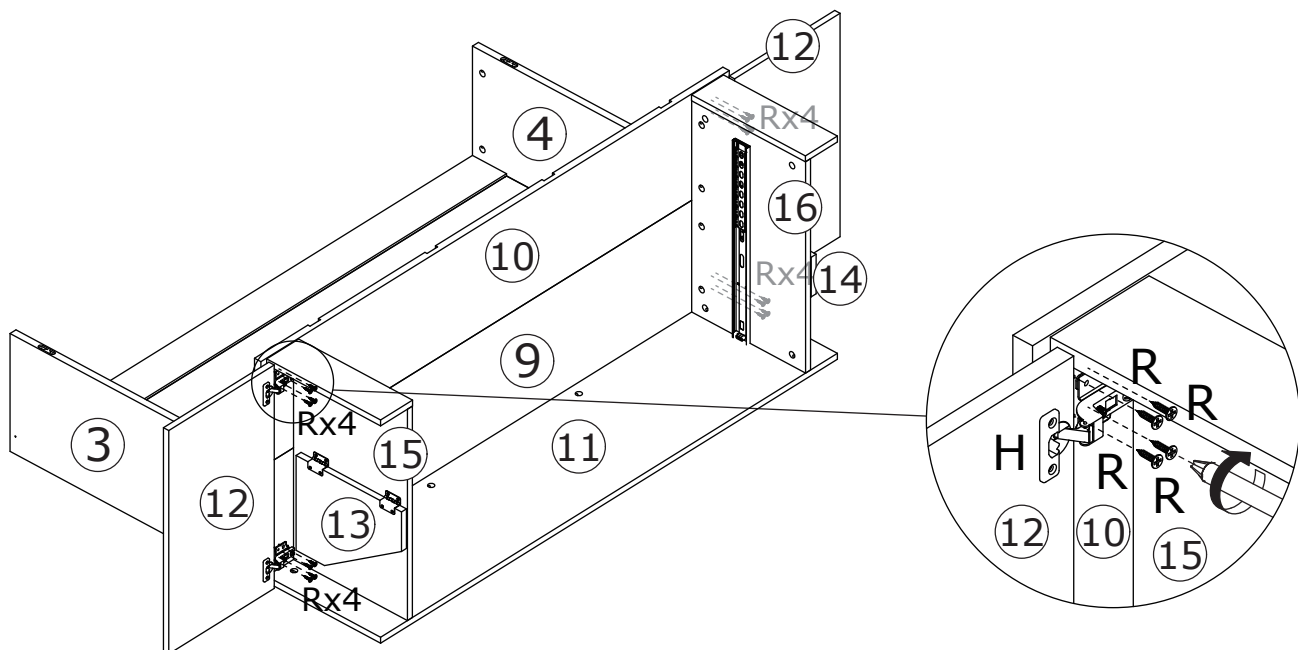


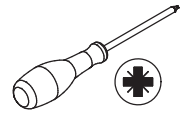
Fix hinge(H) to plate 12 with screw(R) as shown.  
Screw eccentric rod(A) into plate 1 at first.

# 15



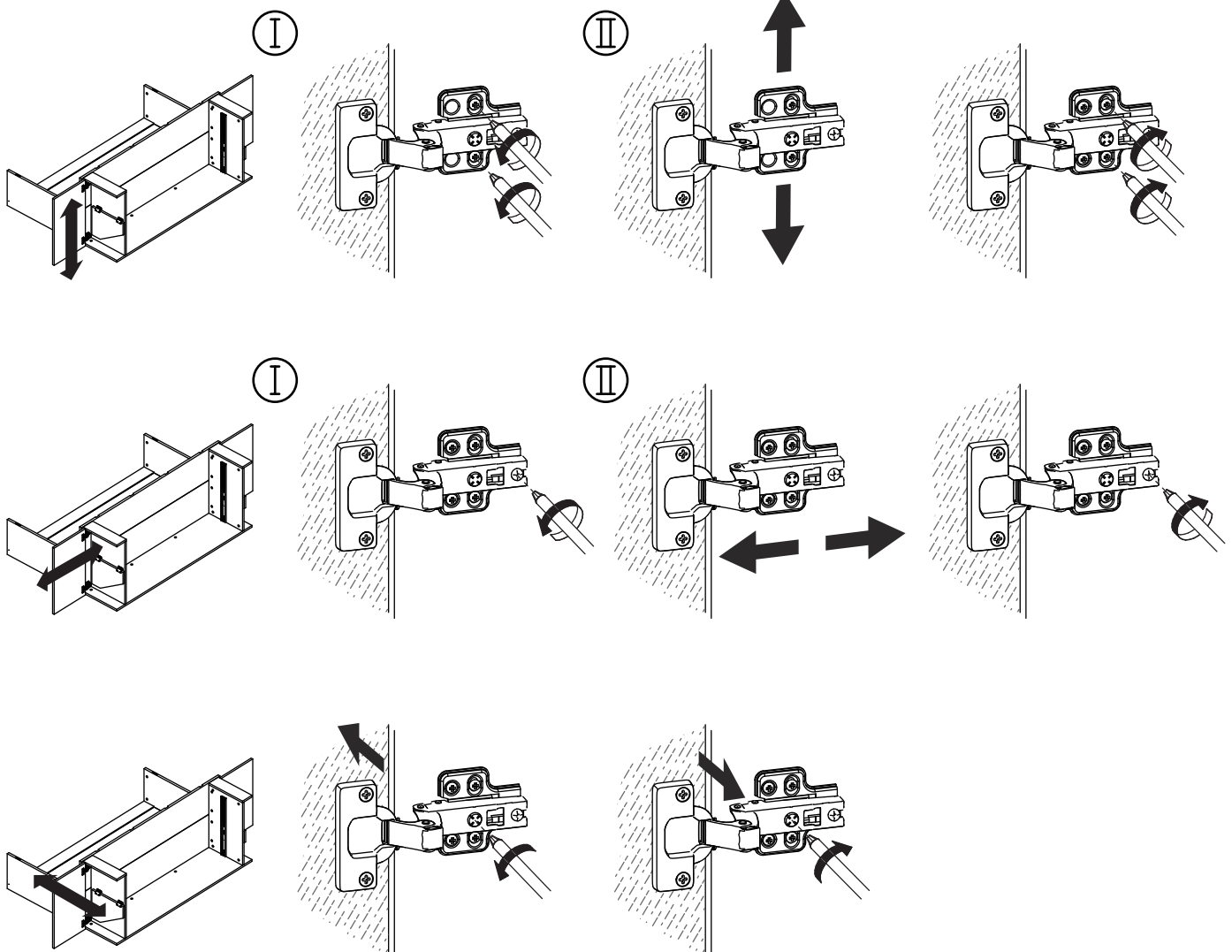
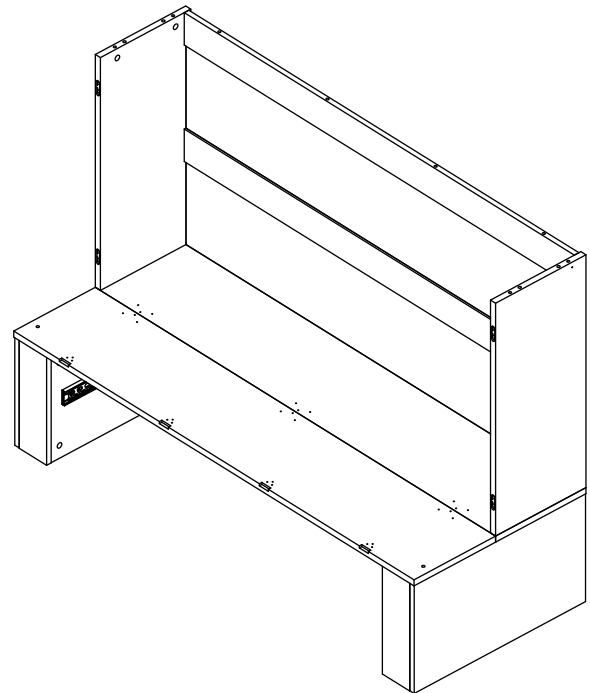
Fix plate 12 to plate 9 and 10 by fixing hinge with screw(R) as shown.



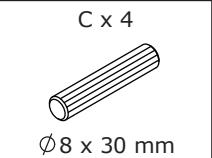
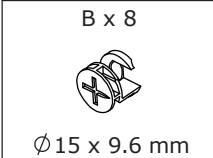


If doors are still not aligned if the hinges are properly correctly, please watch the video.

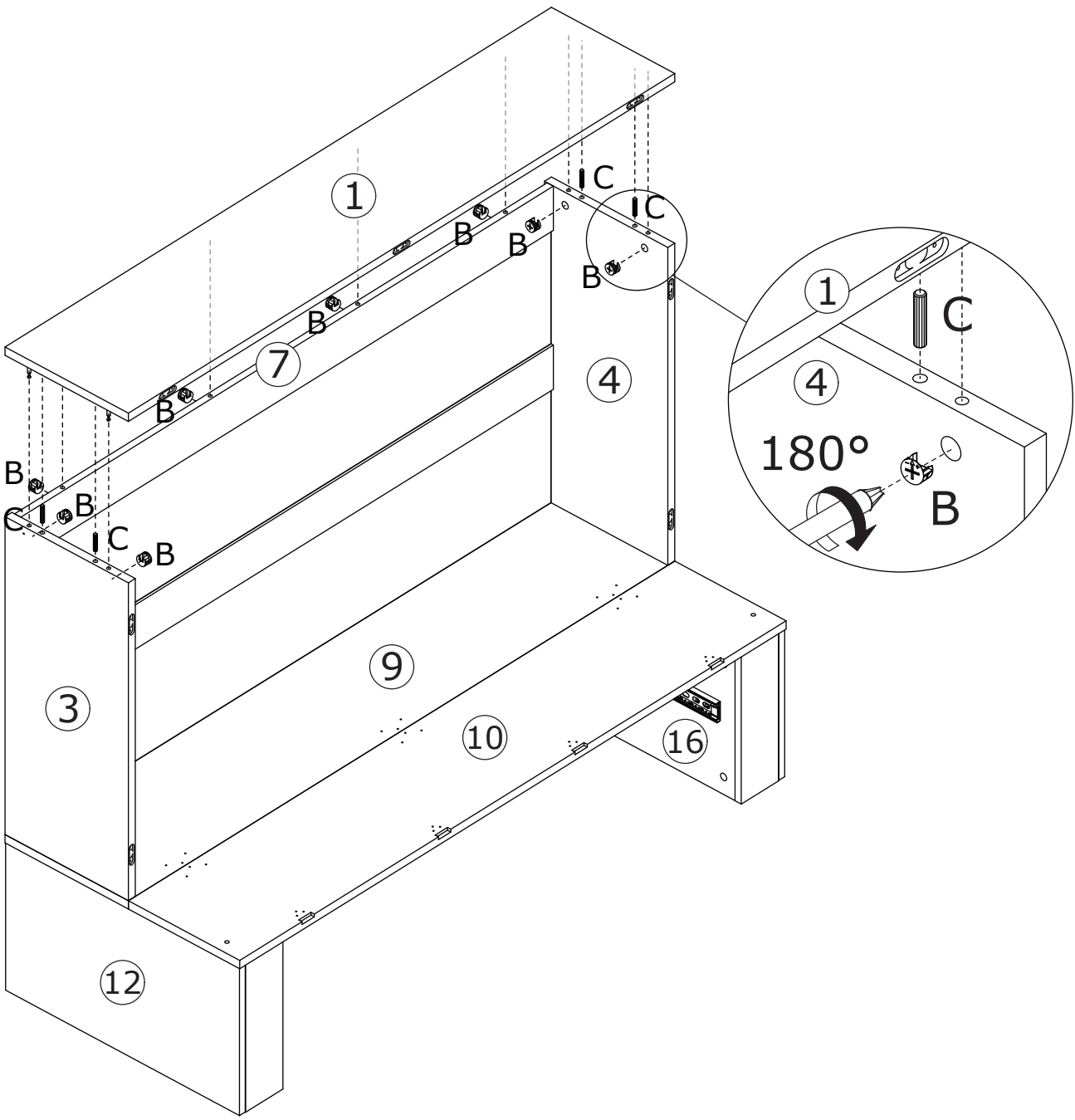
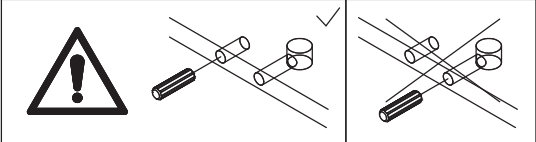
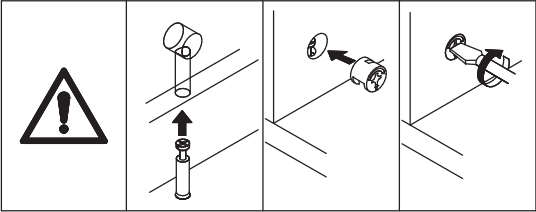
<https://youtu.be/n0Lb36SoODM>



17



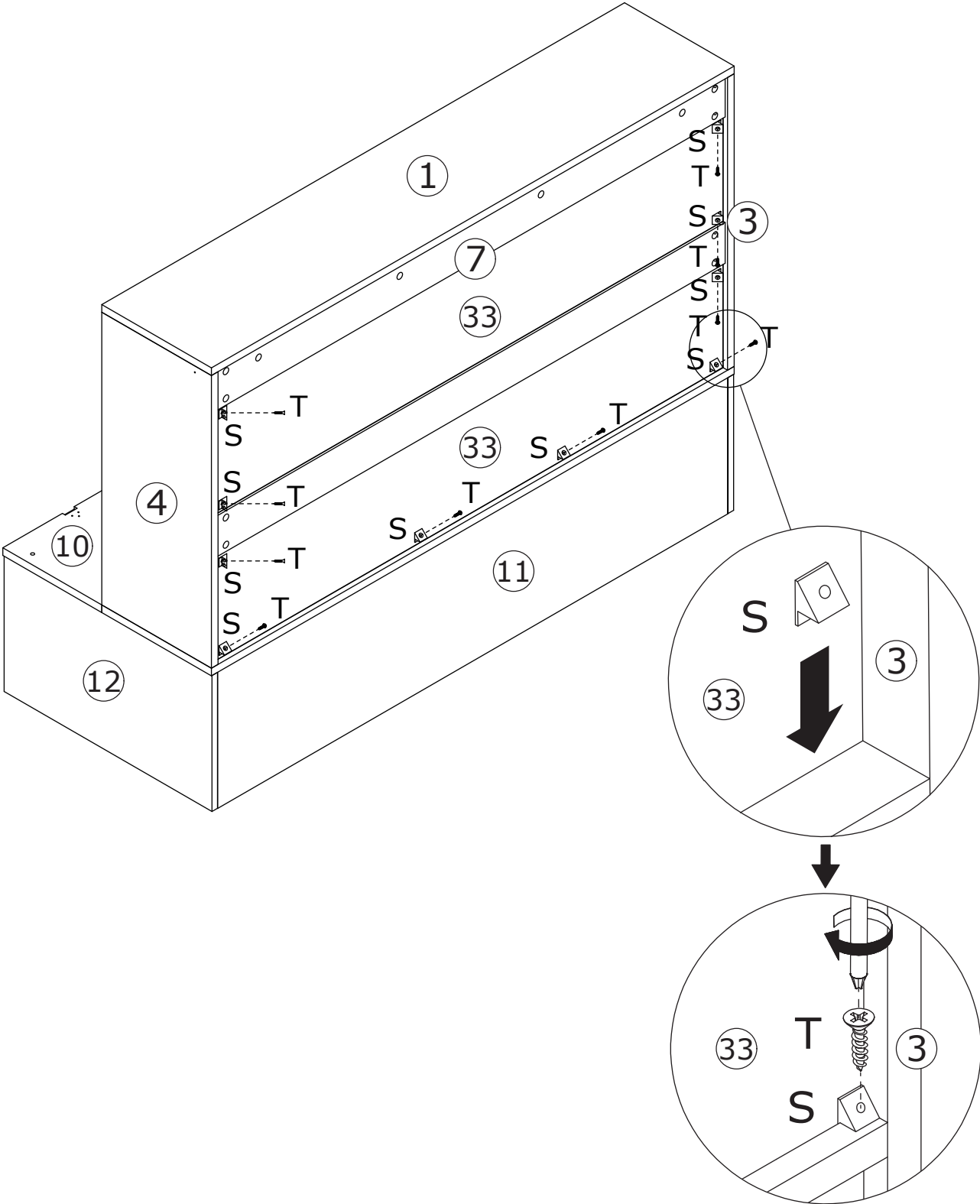
Attach plate 1 to plate 3, 7 and 4 using wooden dowel(C), add cam lock(B) into holes in plate 3, 7, 4 and turn clockwise to tighten as shown.



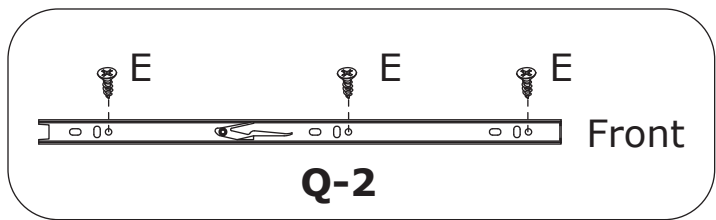
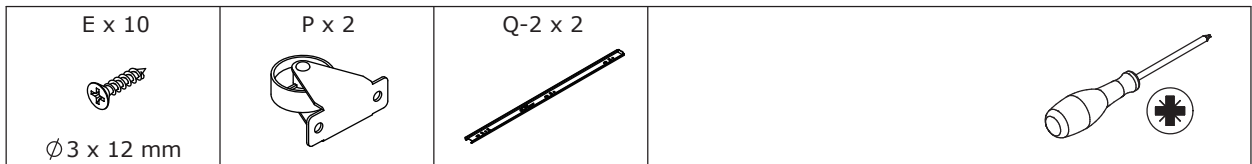
18

<p>S x 10</p> 	<p>T x 10</p>  <p>Ø3 x 14 mm</p>	
---	---	---

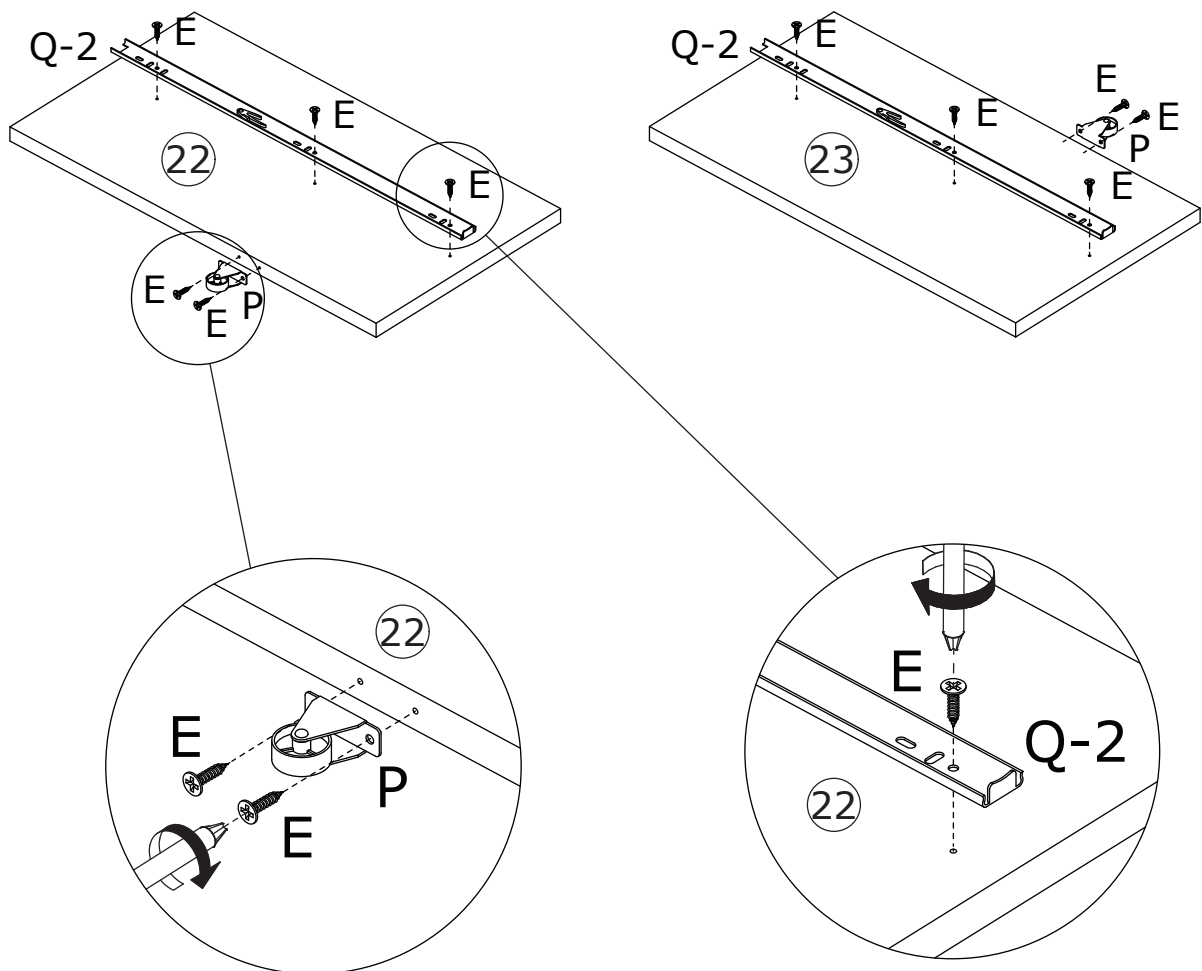
Insert buckle(S) into back slots and fix with screw(T) as shown.



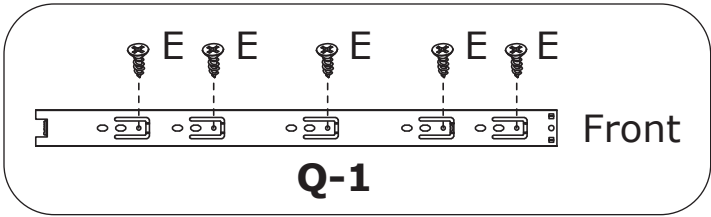
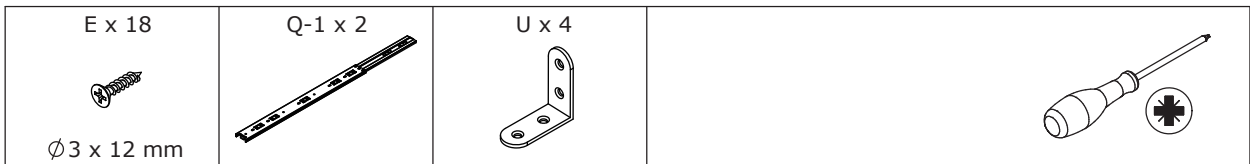
19



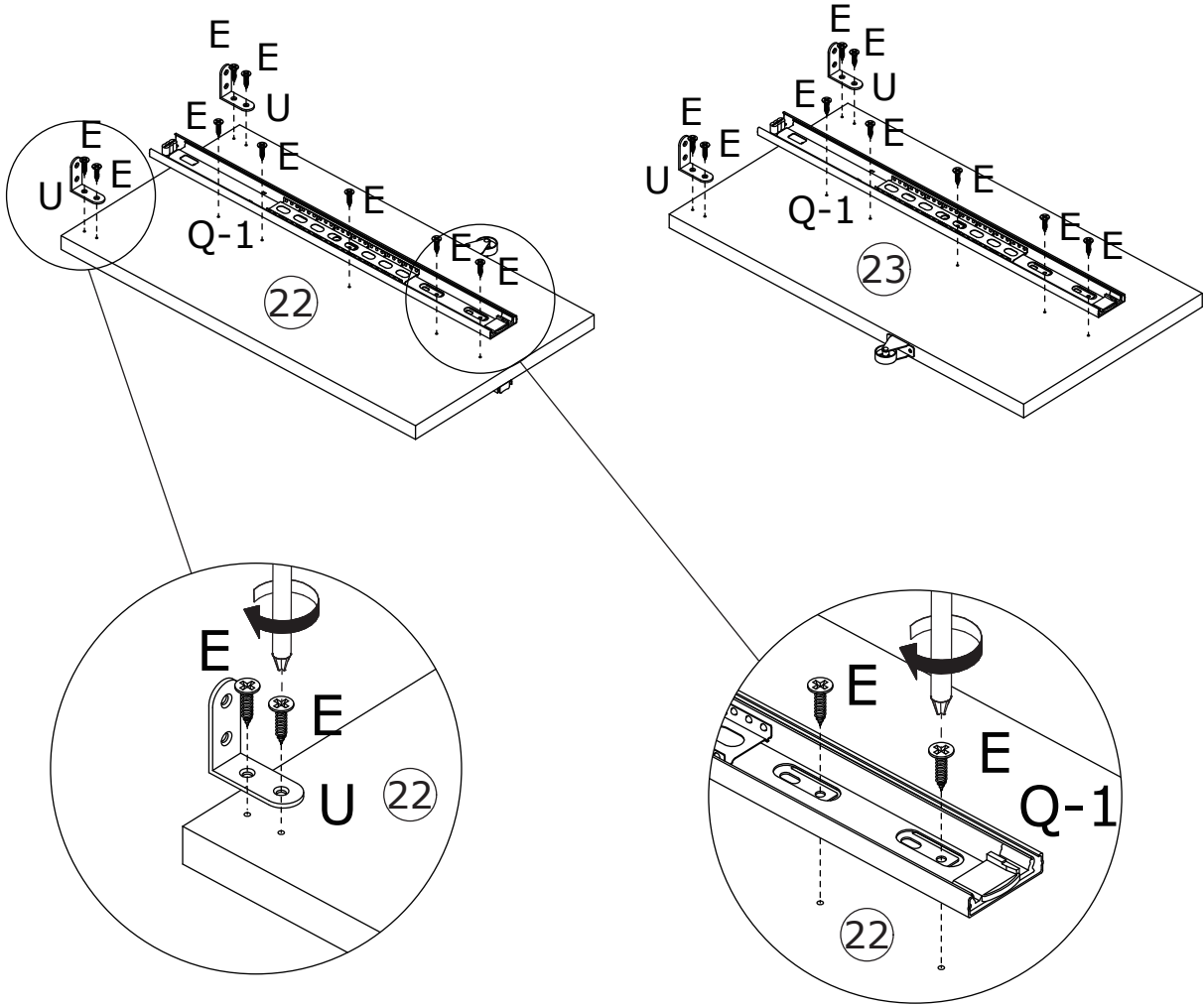
Fix runner(Q-2) and wheel(P) to plate 22 and 23 with screw(E) as shown.



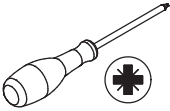
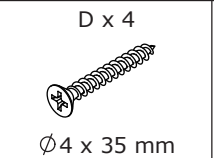
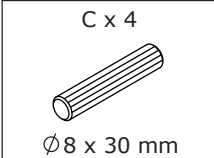
20



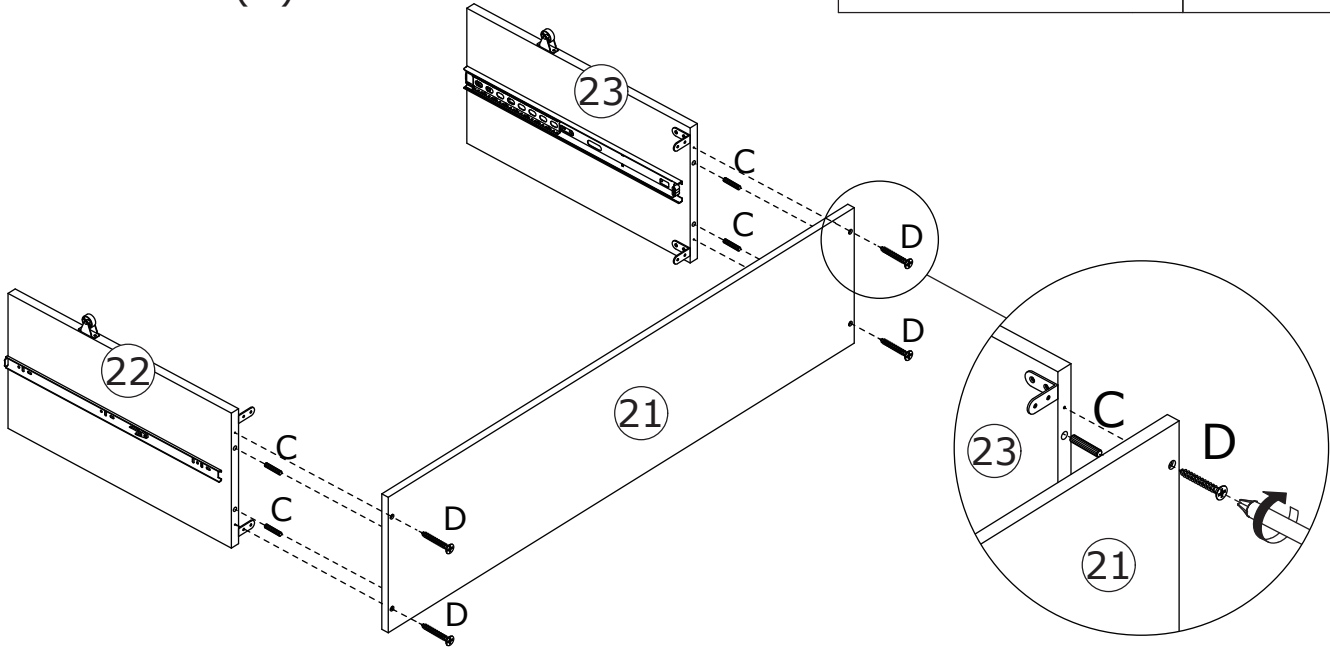
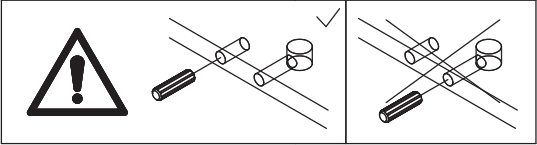
Fix rail(Q-1) and part(U) to plate 22 and 23 with screw(E) as shown.



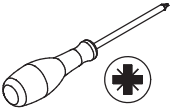
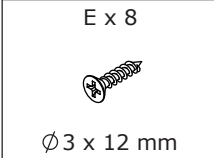
21



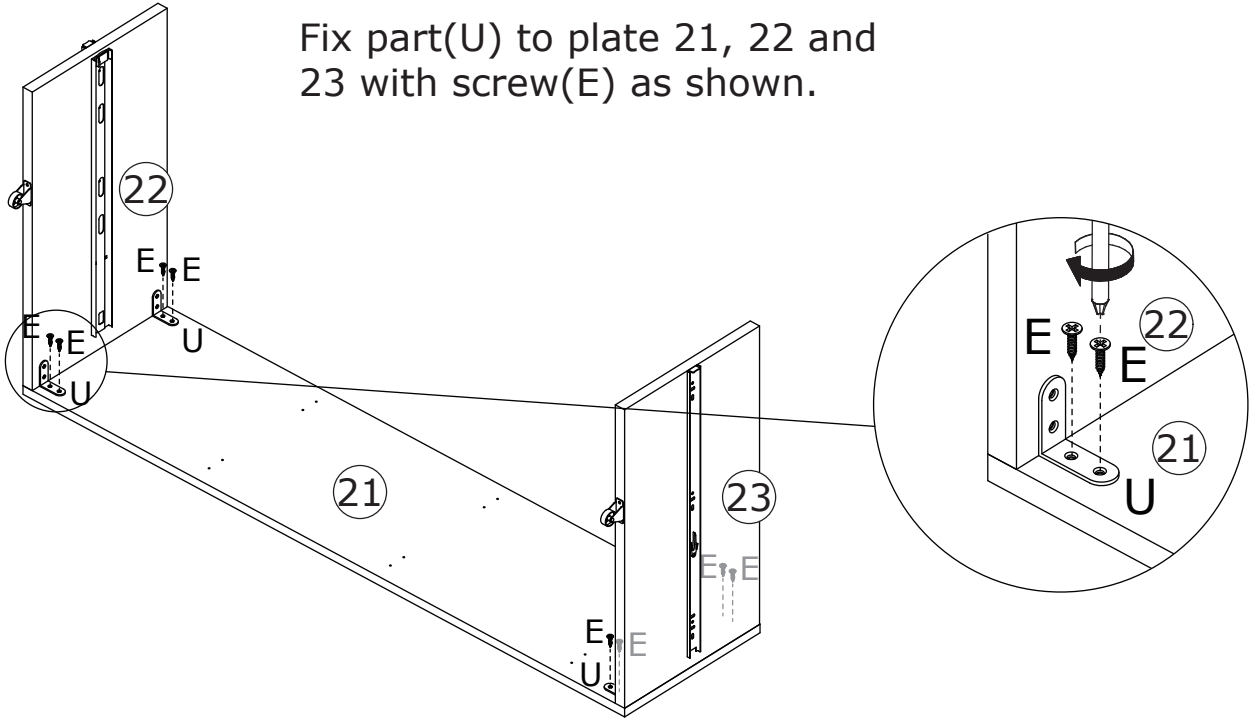
Attach plate 22 and 23 to plate 21 using wooden dowel(C), and fix with screw(D) as shown.



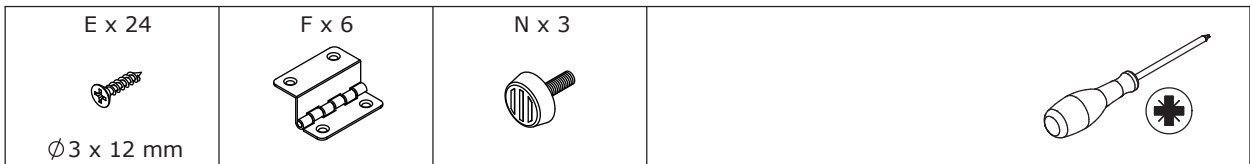
22



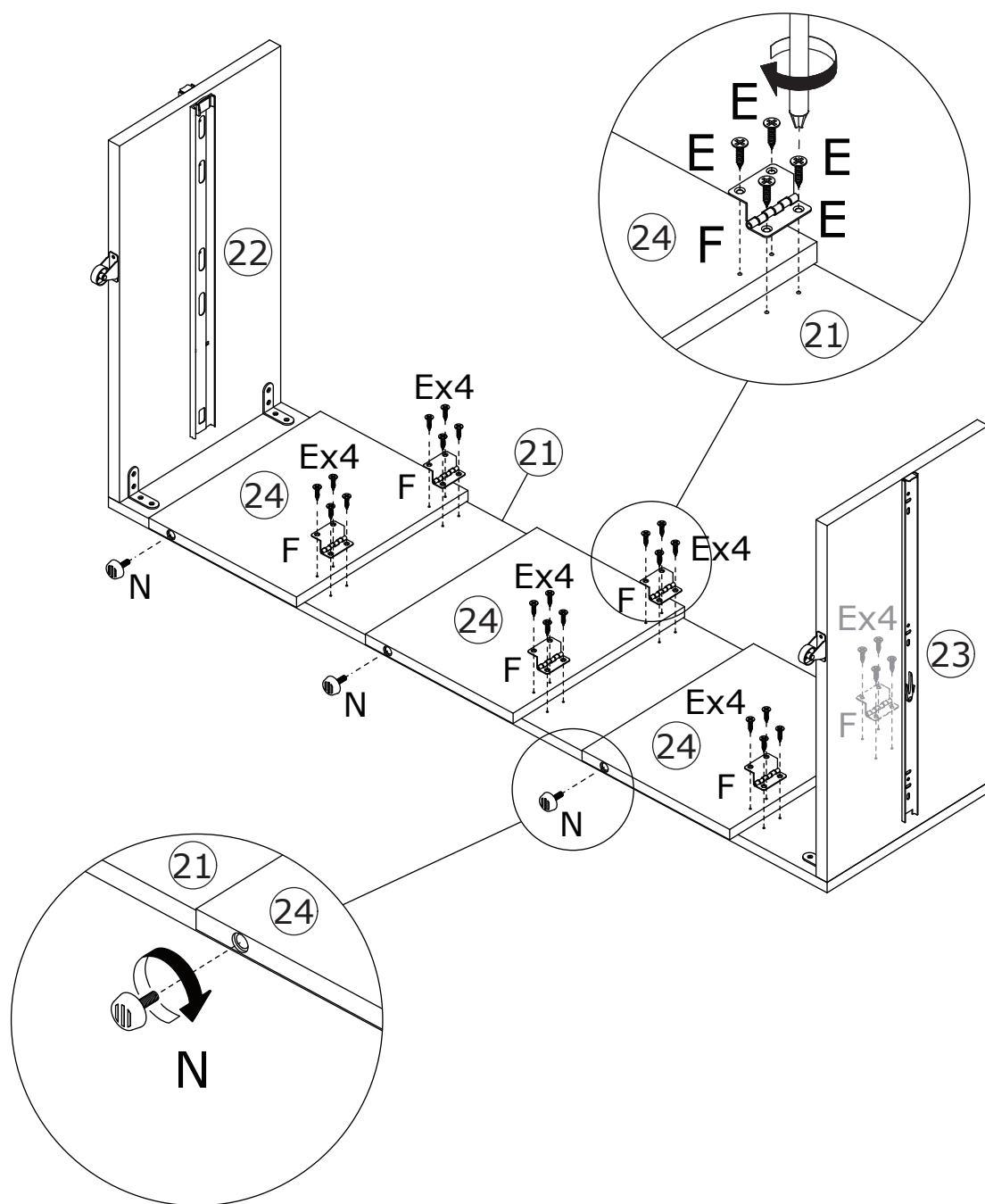
Fix part(U) to plate 21, 22 and 23 with screw(E) as shown.



23



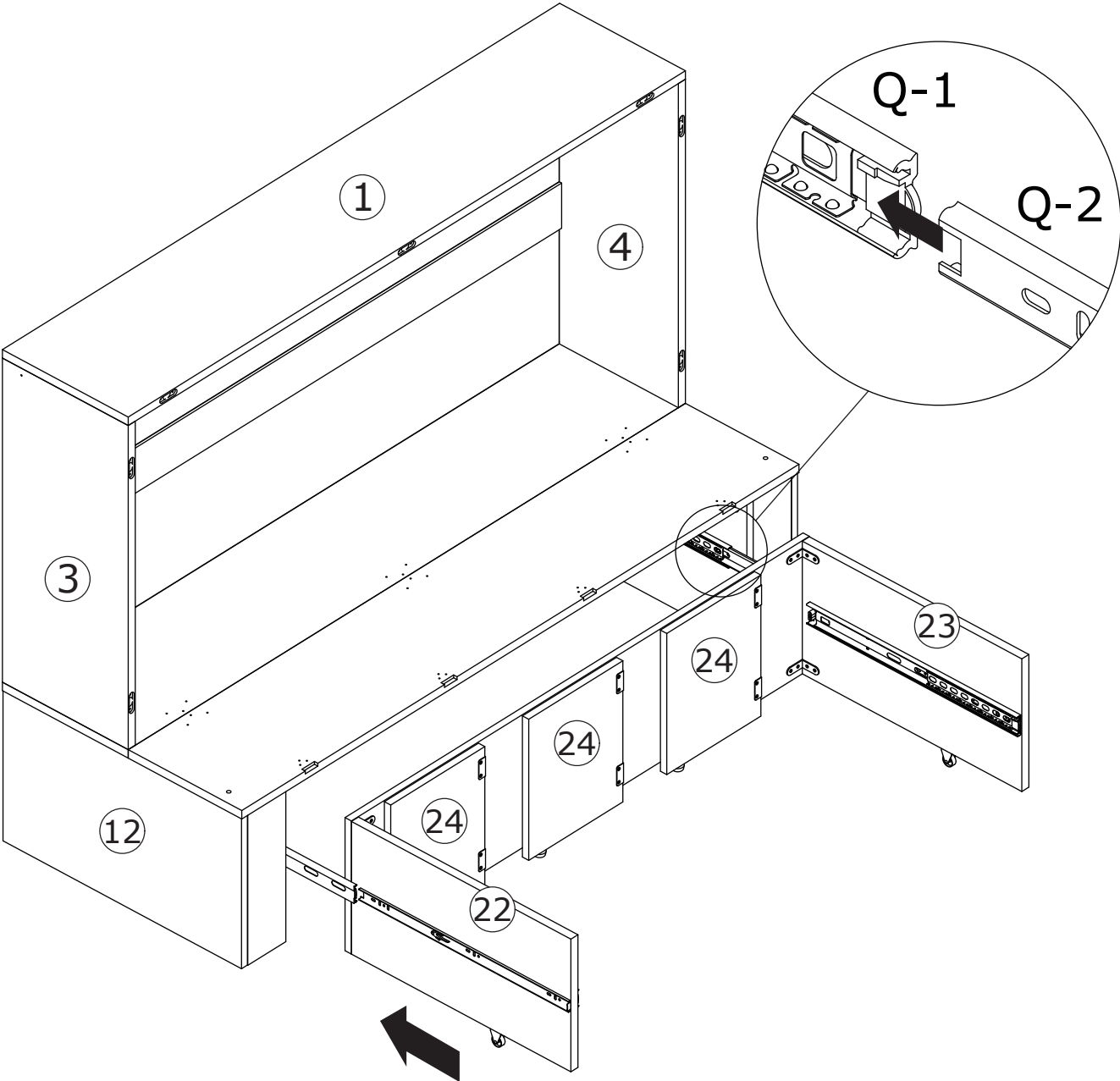
Attach plate 24 to plate 21, fix hinge(F) to them with screw(E) as shown.  
Rotate foot peg(N) into plate 24 as shown.



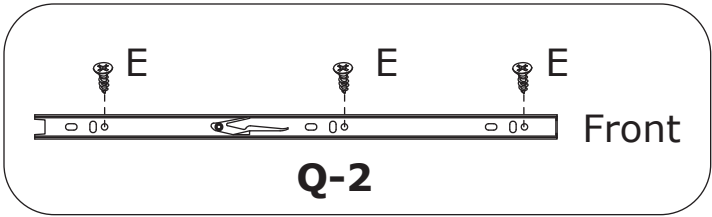
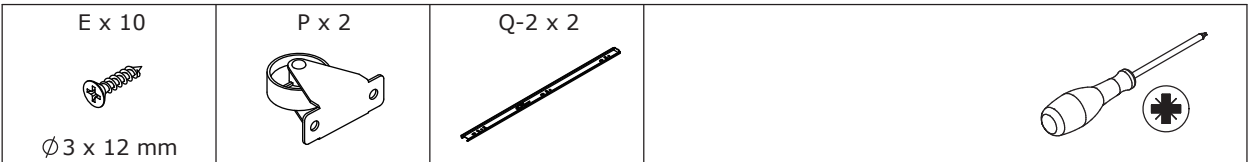
24



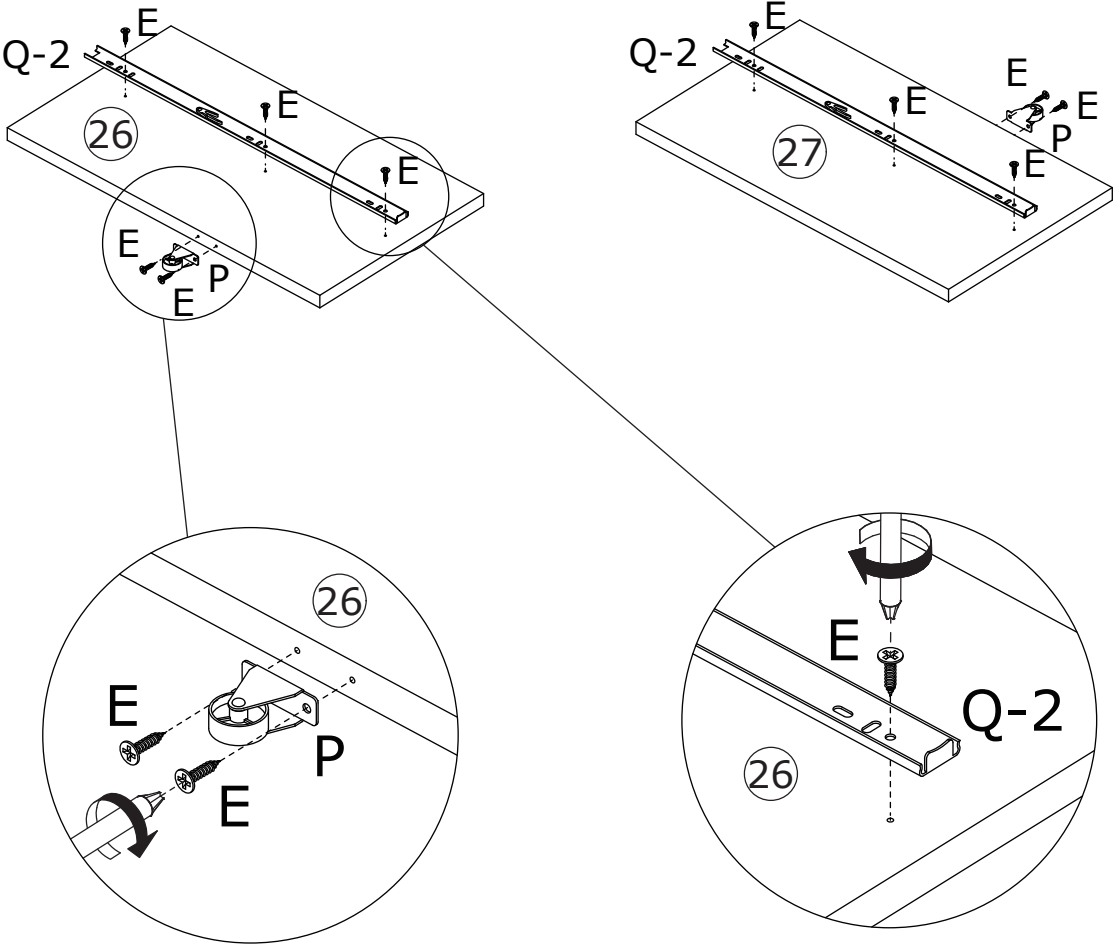
Align rails, slide the part in.



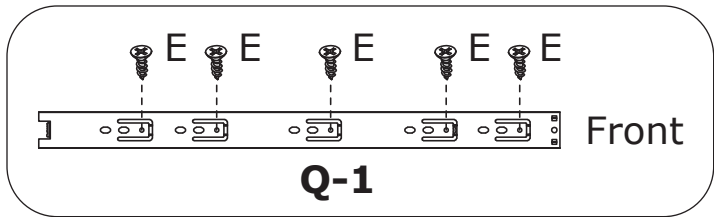
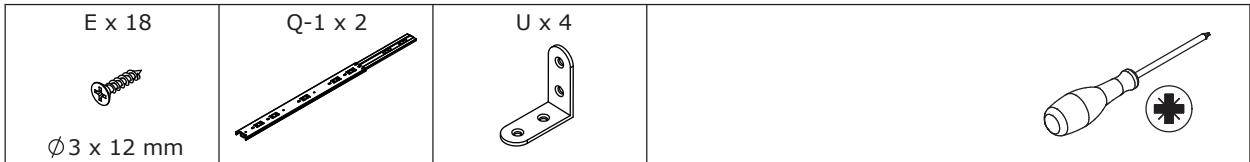
25



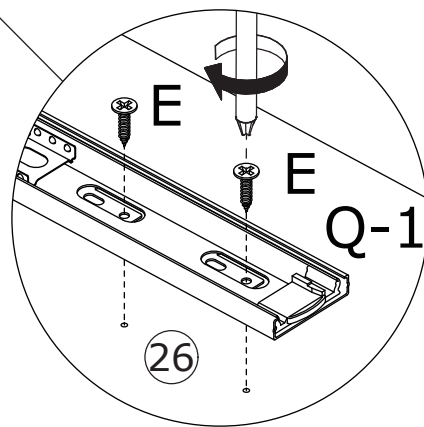
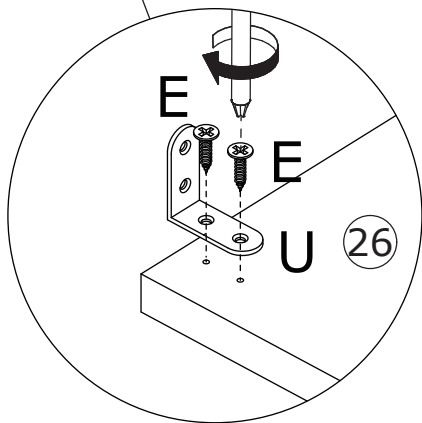
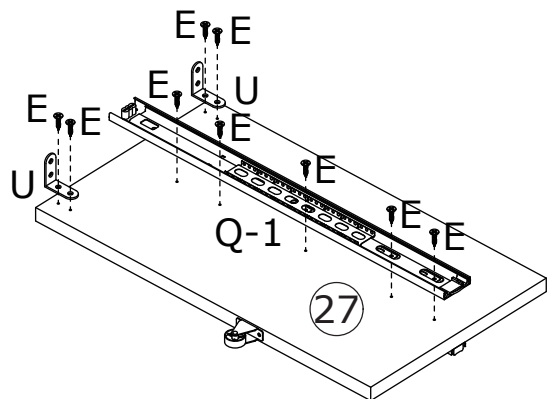
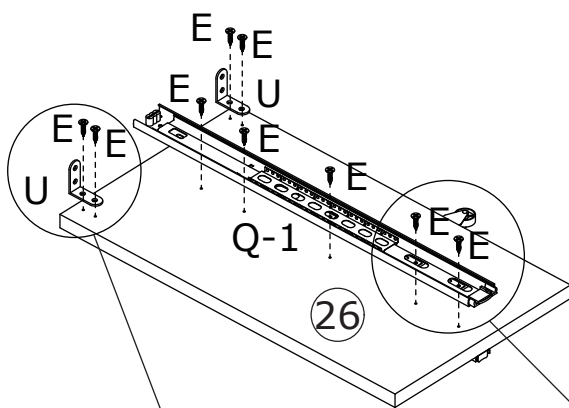
Fix runner(Q-2) and wheel(P) to plate 26 and 27 with screw(E) as shown.



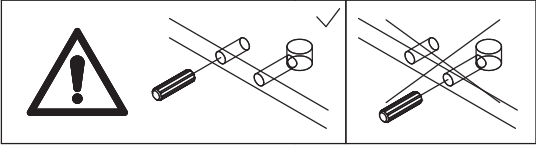
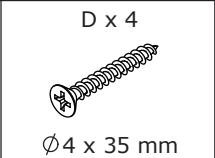
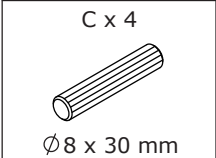
26



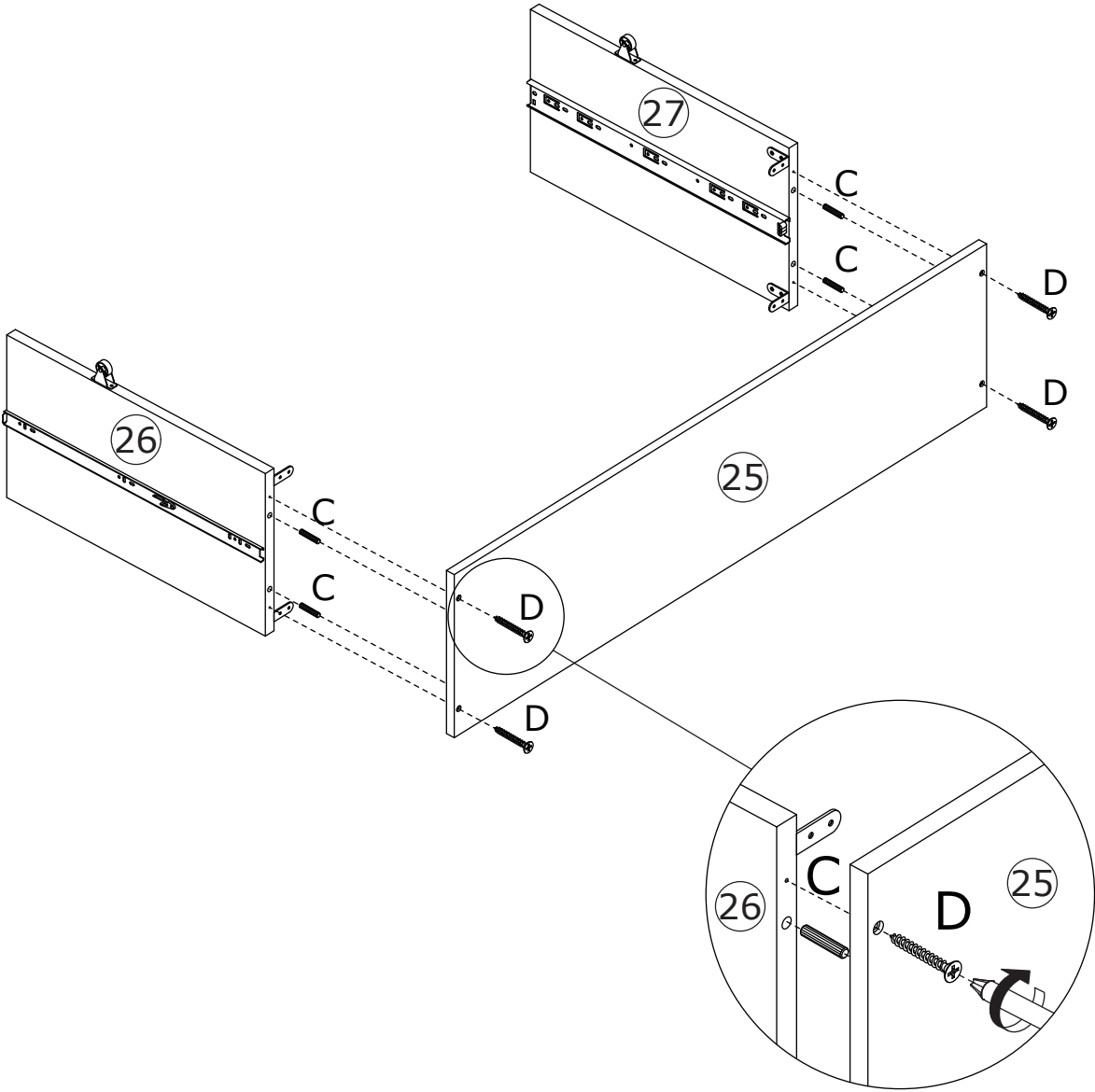
Fix rail(Q-1) and part(U) to plate 26 and 27 with screw(E) as shown.



27



Attach plate 26 and 27 to plate 25 using wooden dowel(C), and fix with screw(D) as shown.

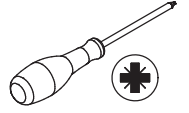


28

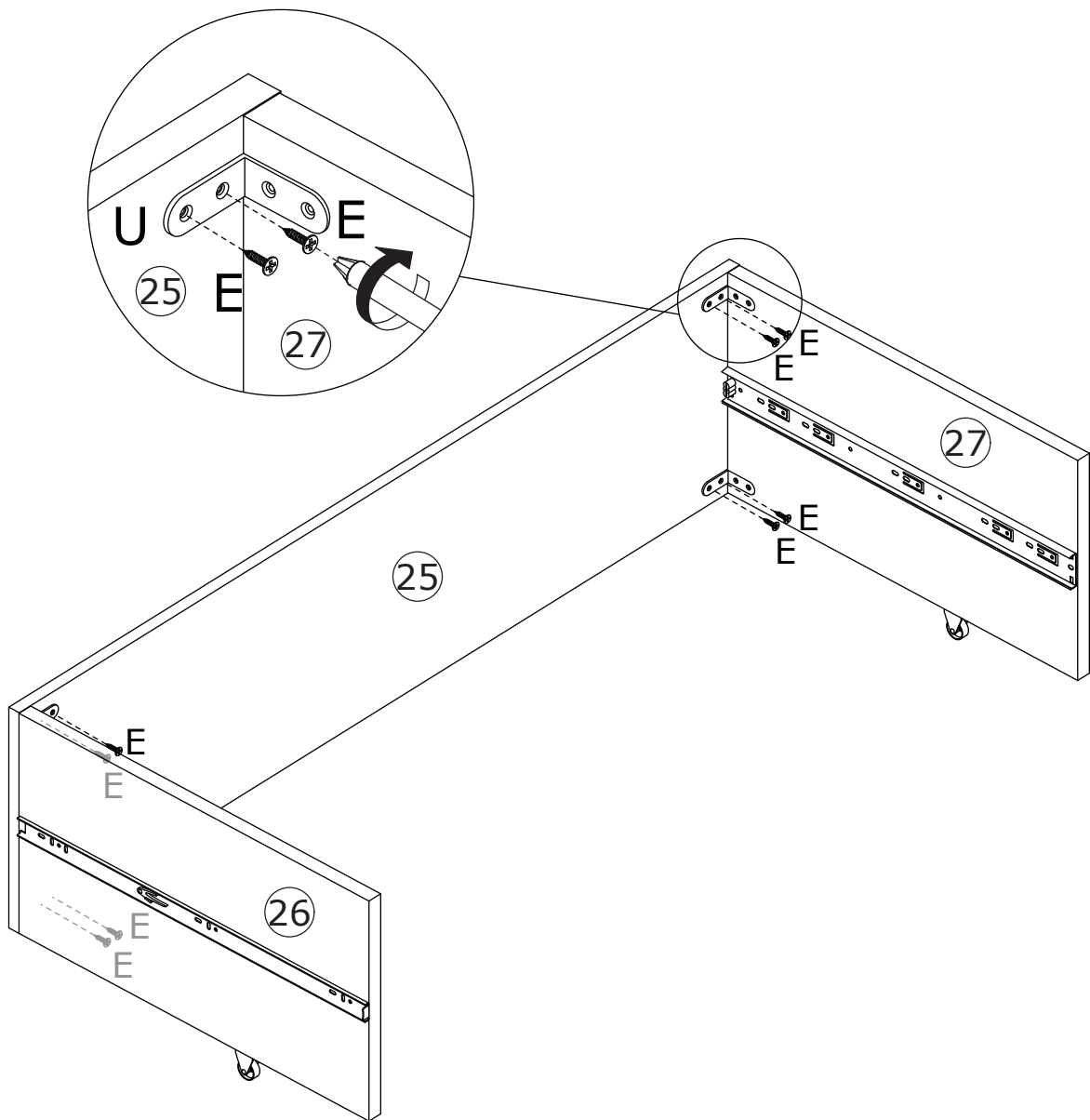
E x 8



∅3 x 12 mm

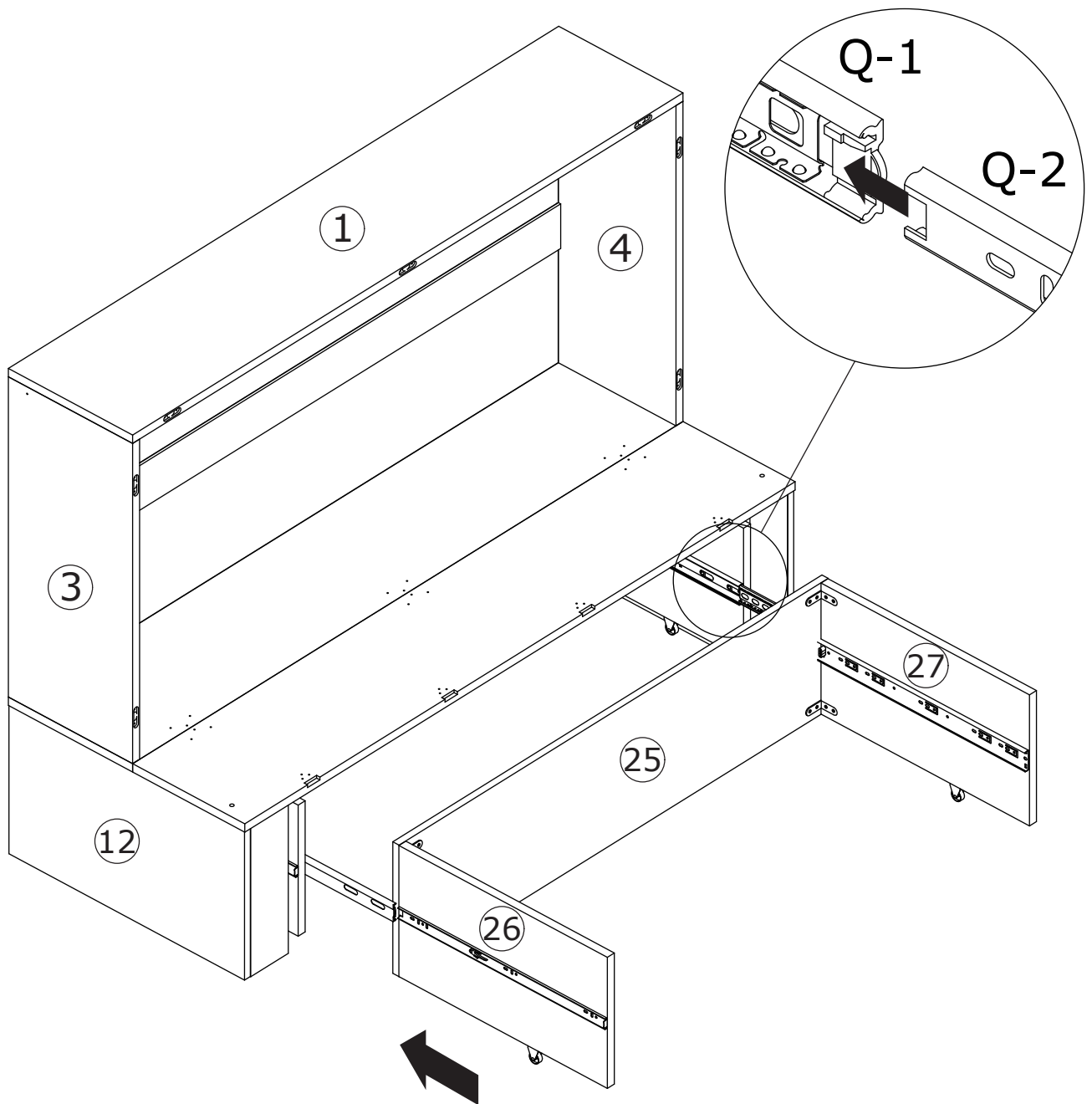


Fix part(U) to plate 21, 22 and 23 with screw(E) as shown.

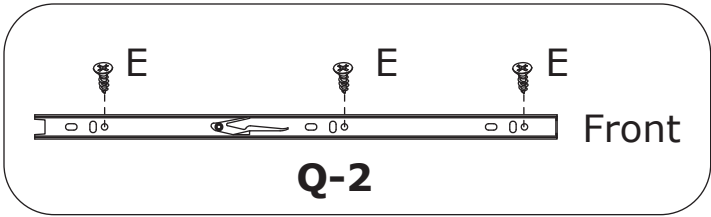
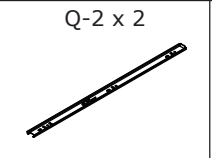
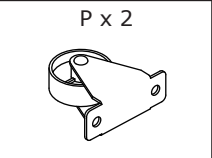
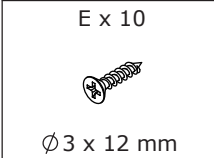


29

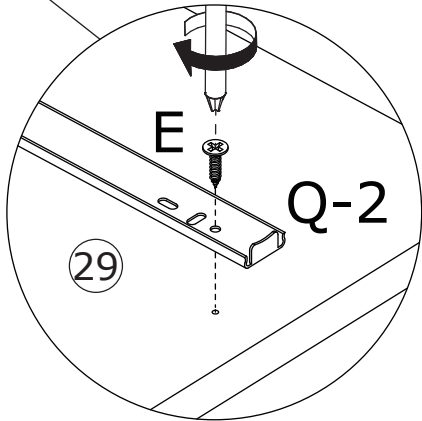
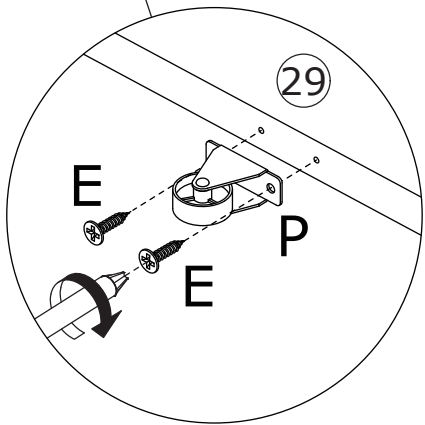
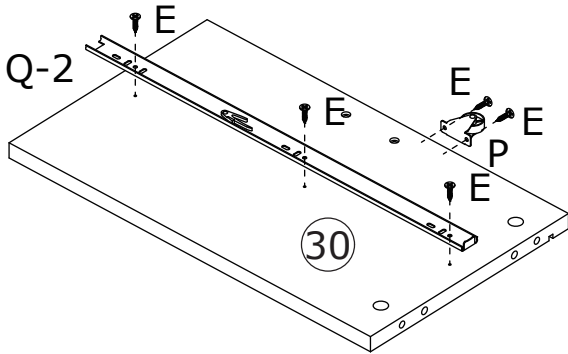
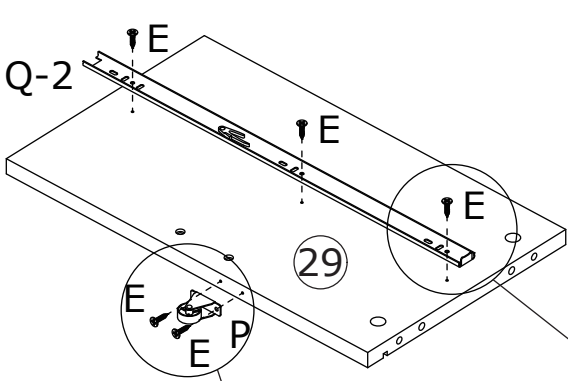
Align rails, slide the part in.



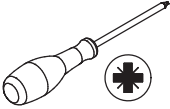
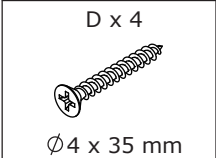
30



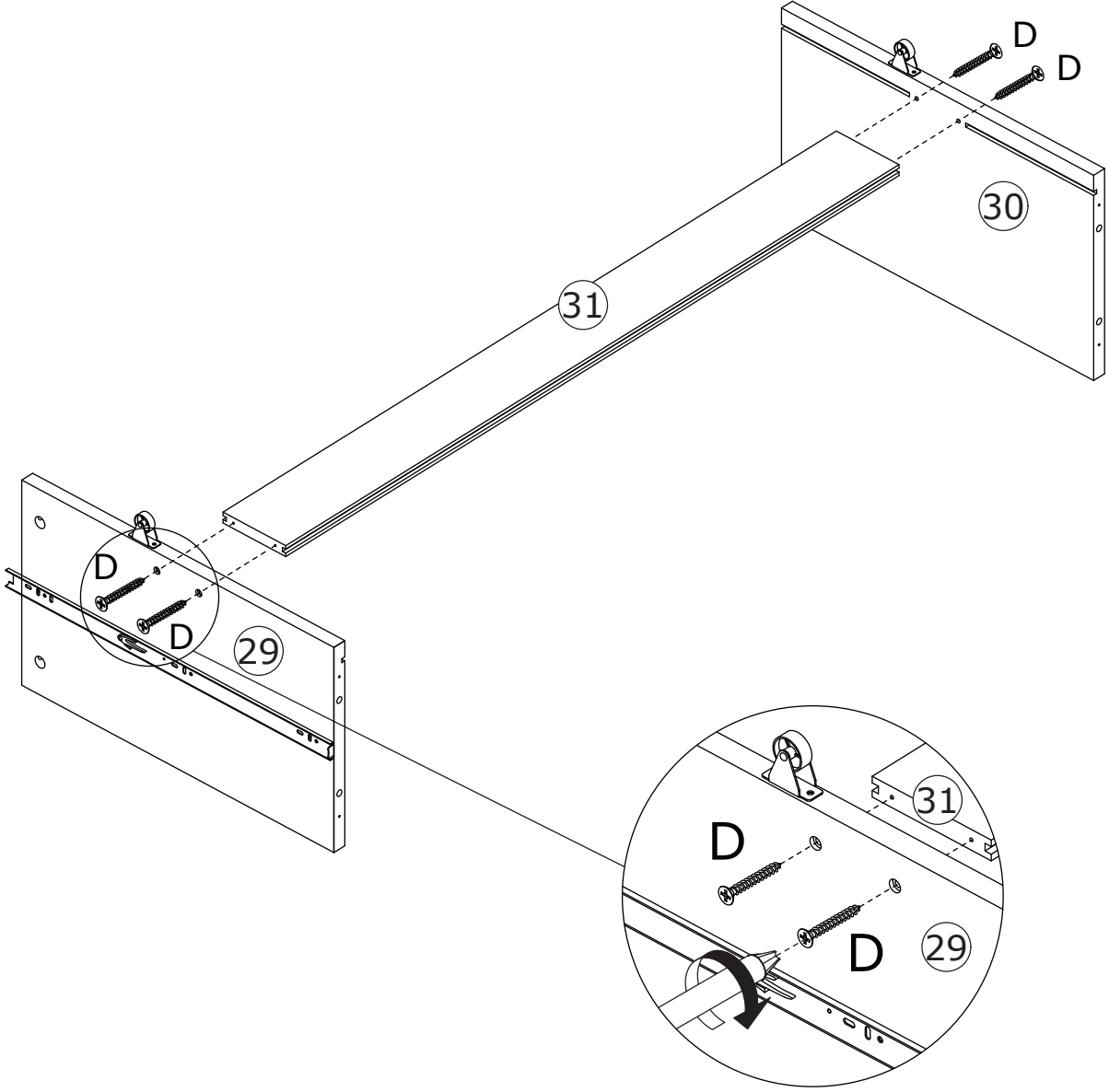
Fix runner(Q-2) and wheel(P) to plate 29 and 30 with screw(E) as shown.



31

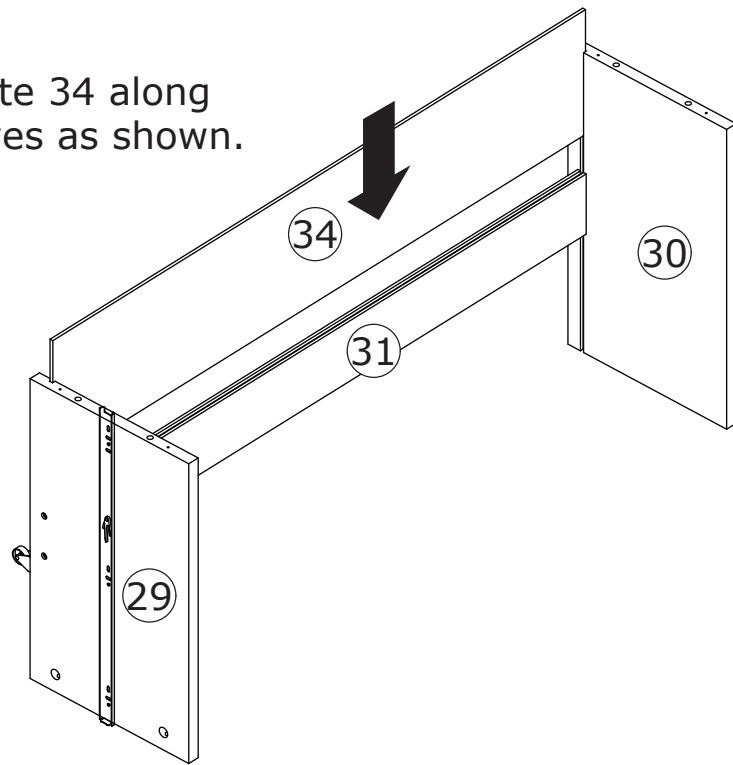


Fix plate 29 and 30 to plate 31 with screw(D) as shown.

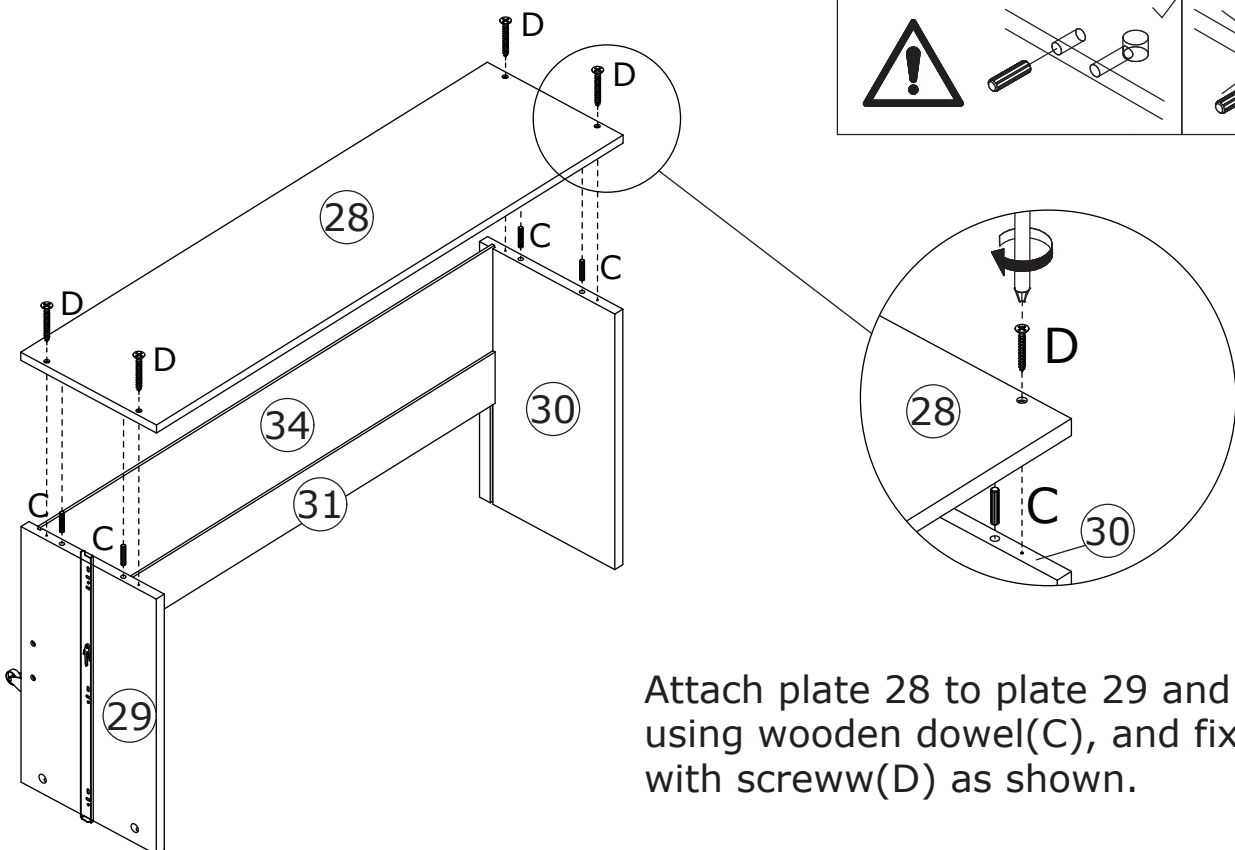


32

Insert back plate 34 along available grooves as shown.



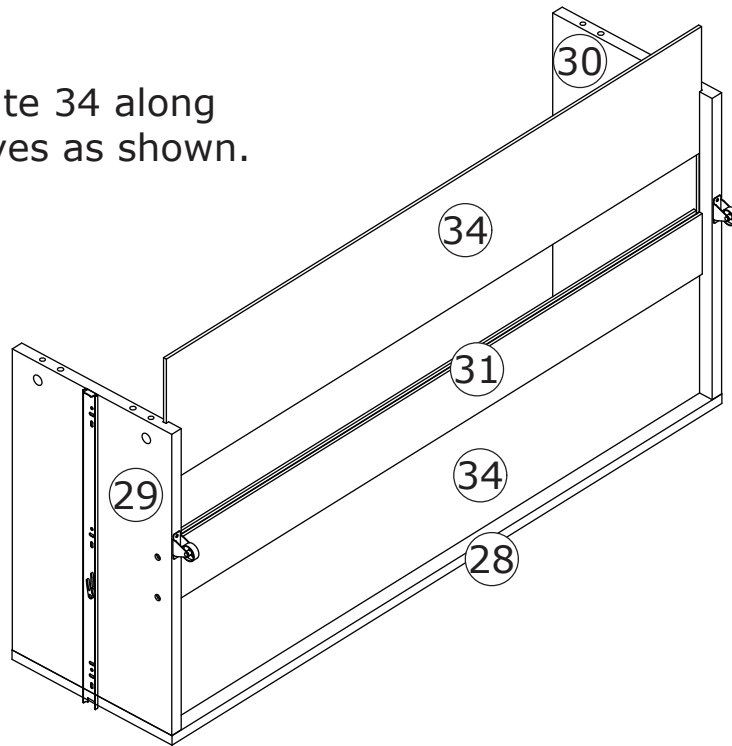
33



Attach plate 28 to plate 29 and 30 using wooden dowel(C), and fix with screw(D) as shown.

# 34

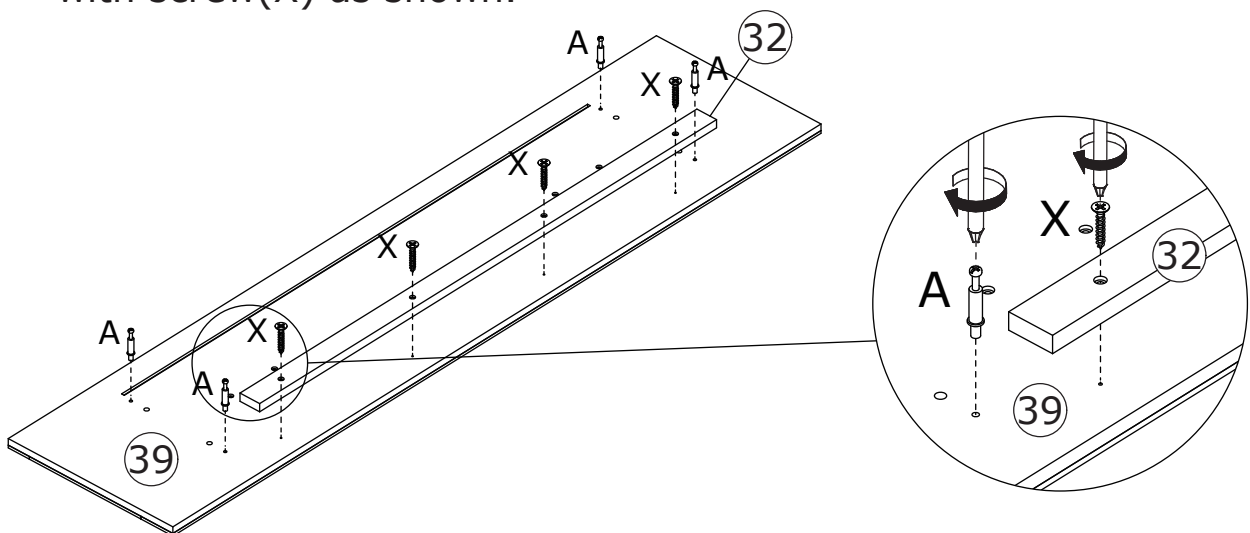
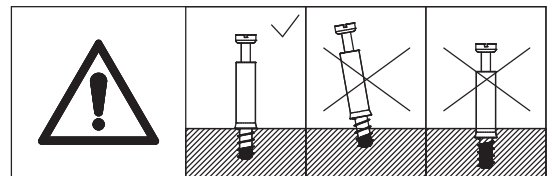
Insert back plate 34 along available grooves as shown.



# 35



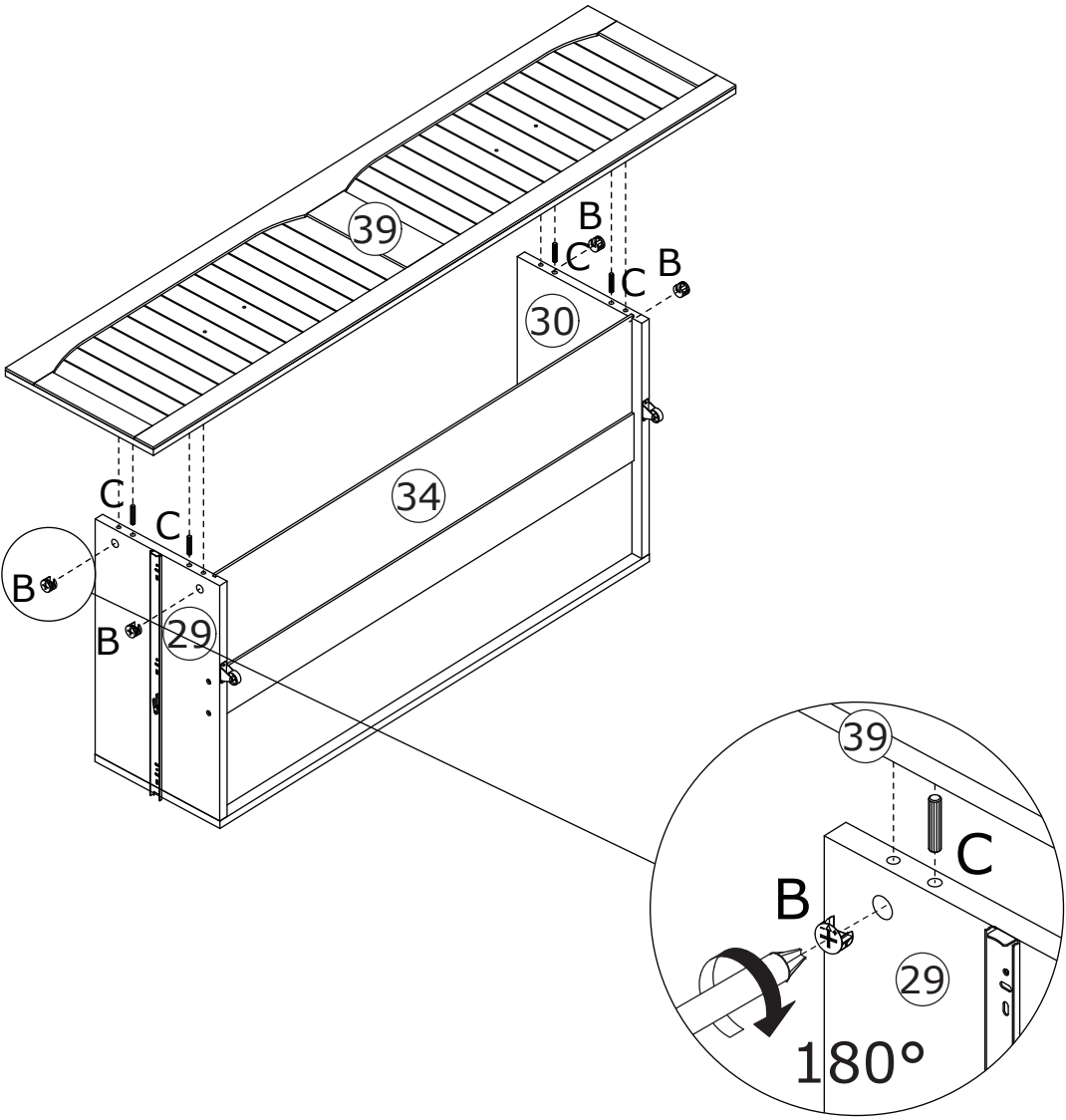
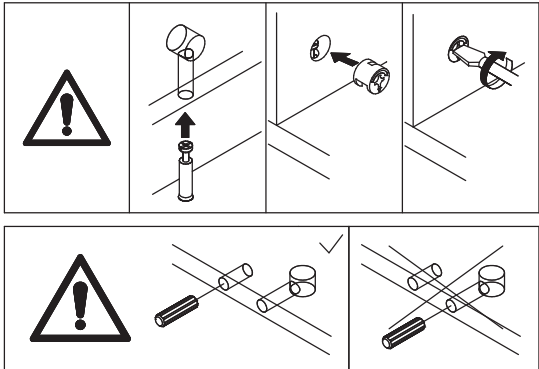
Screw eccentric rod(A) into plate 39 at first. Fix plate 32 to plate 39 with screw(X) as shown.



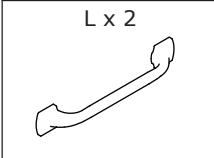
36



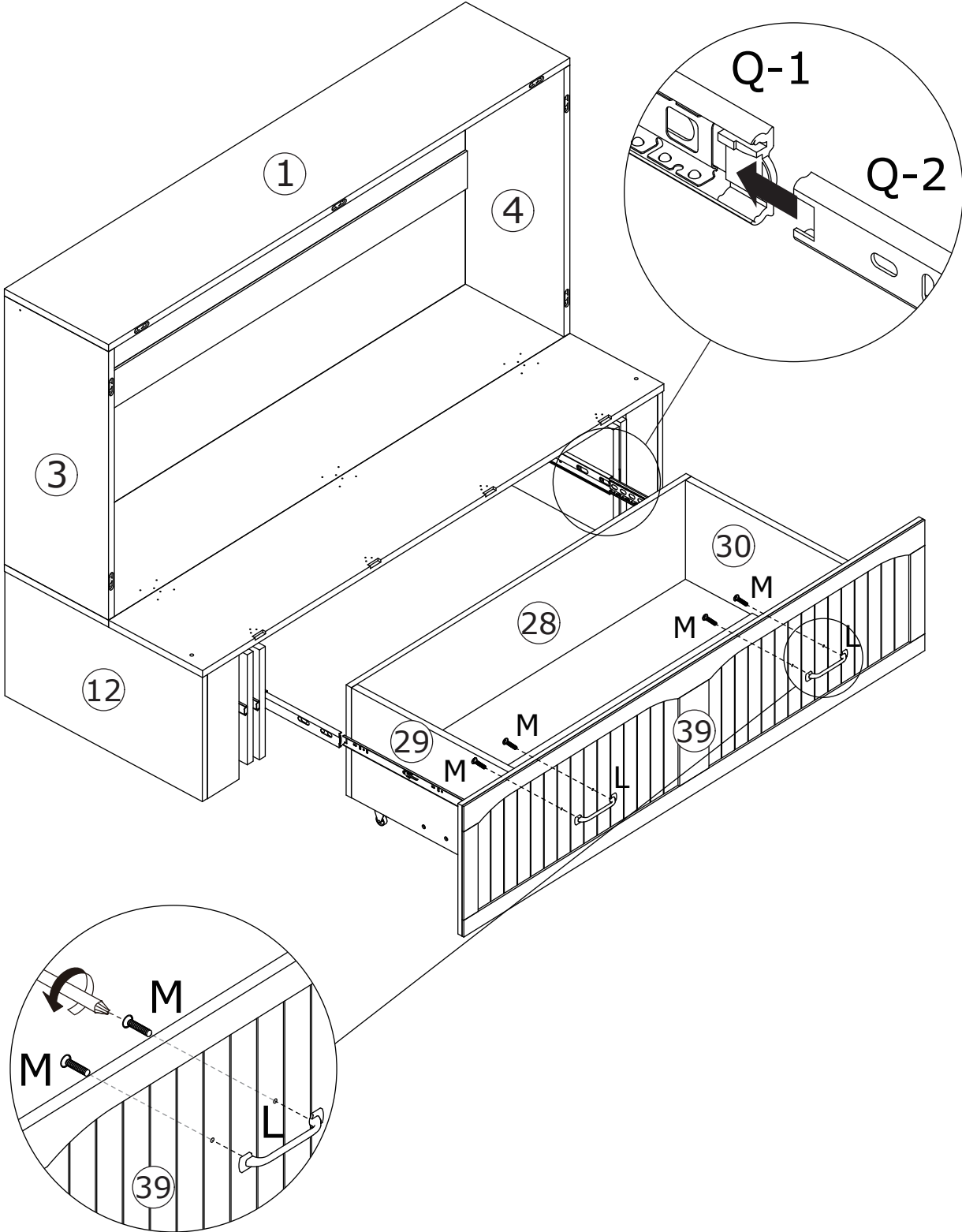
Attach plate 39 to plate 29 and 30 using wooden dowel(C), add cam lock(B) into holes in plate 29, 30 and turn clockwise to tighten as shown.



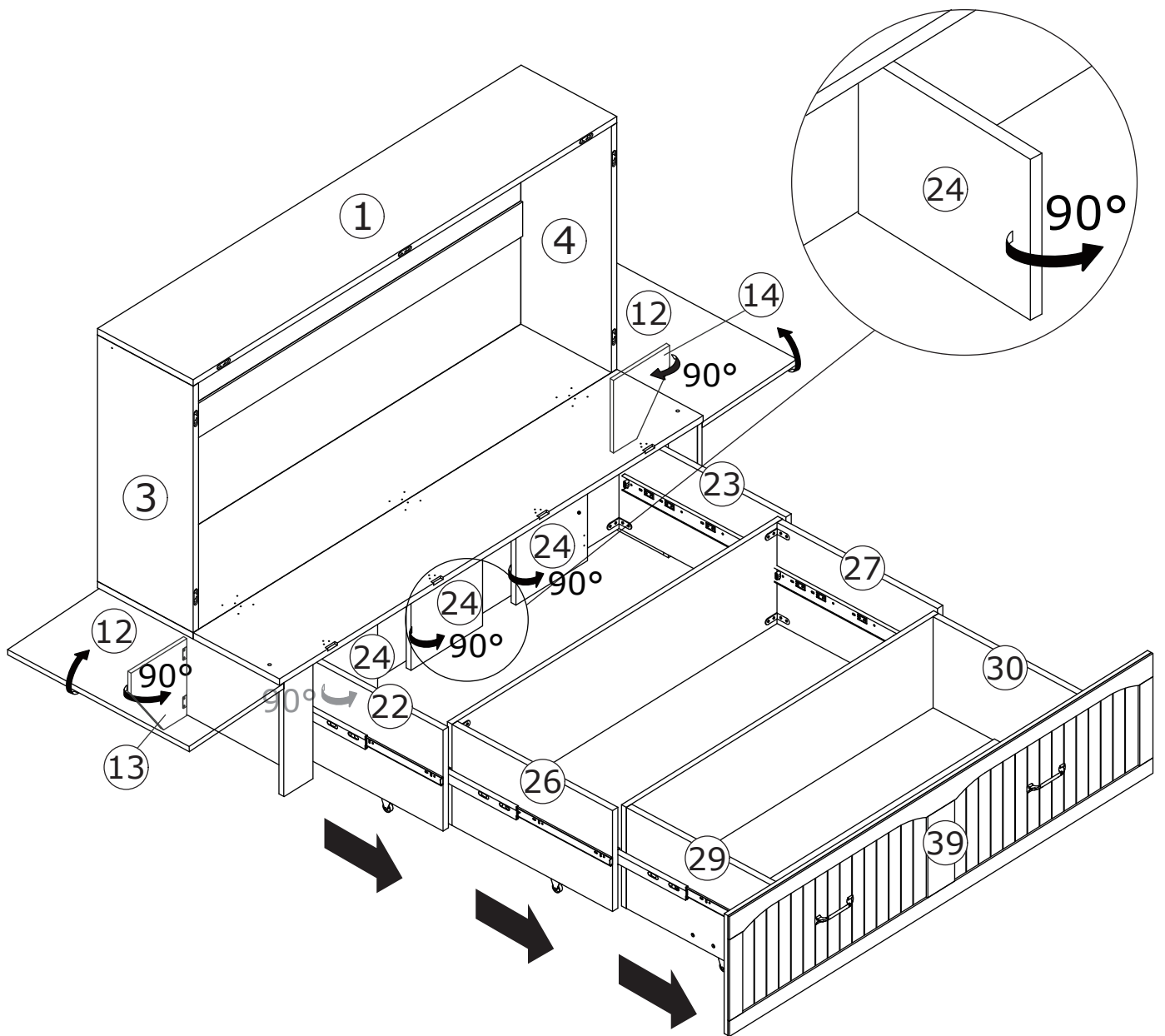
37



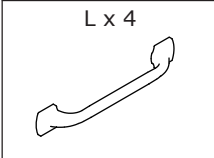
Align rails, slide the part in.  
Fix handle(L) to plate 39  
with screw(M) as shown.



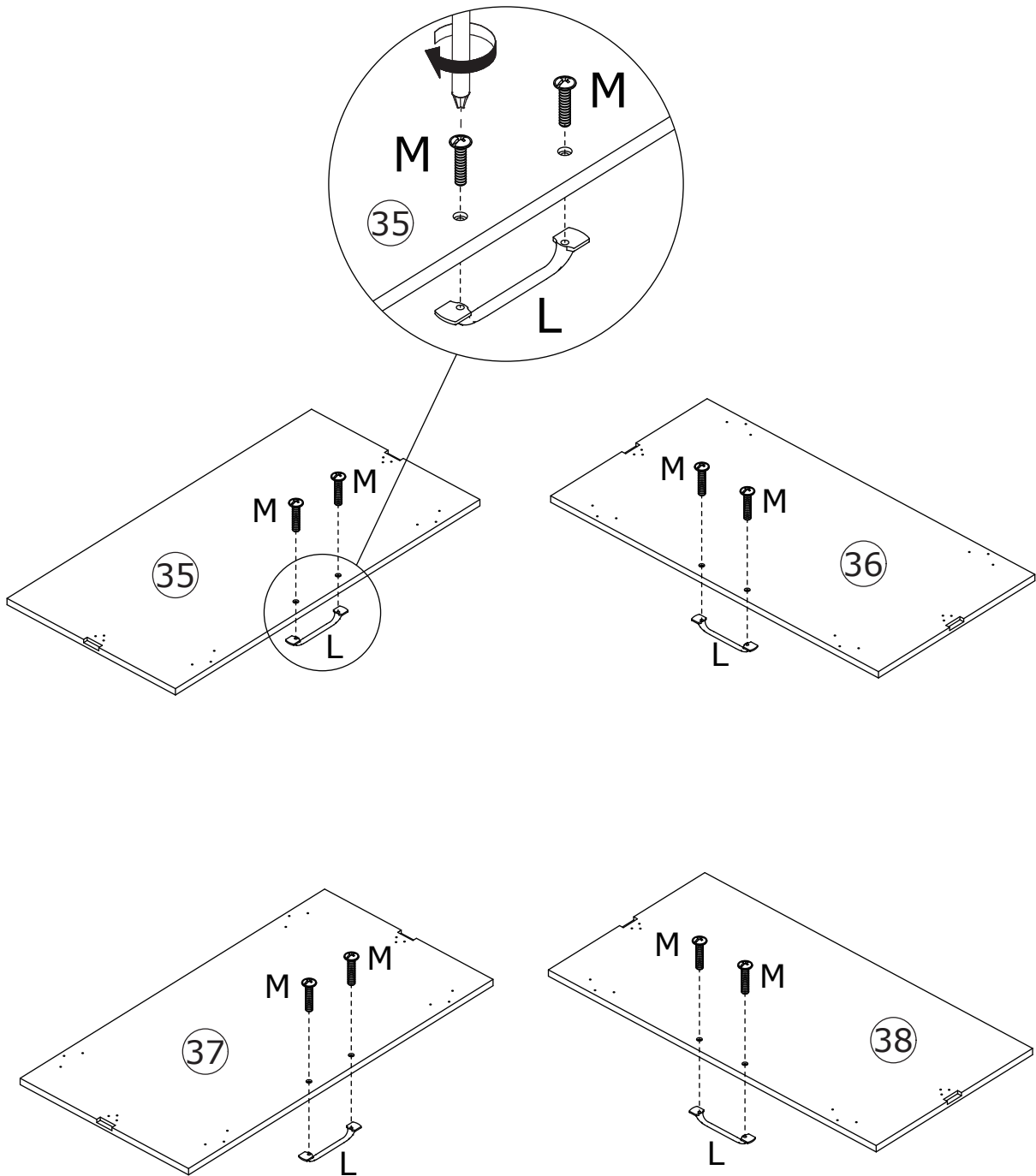
Open plate 24, 12 and 13, then pull out the drawers.



39

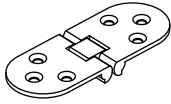


Fix handle(L) to plate 35, 36, 37 and 38 with screw(M) as shown.



40

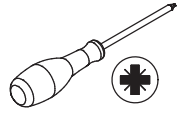
J x 8



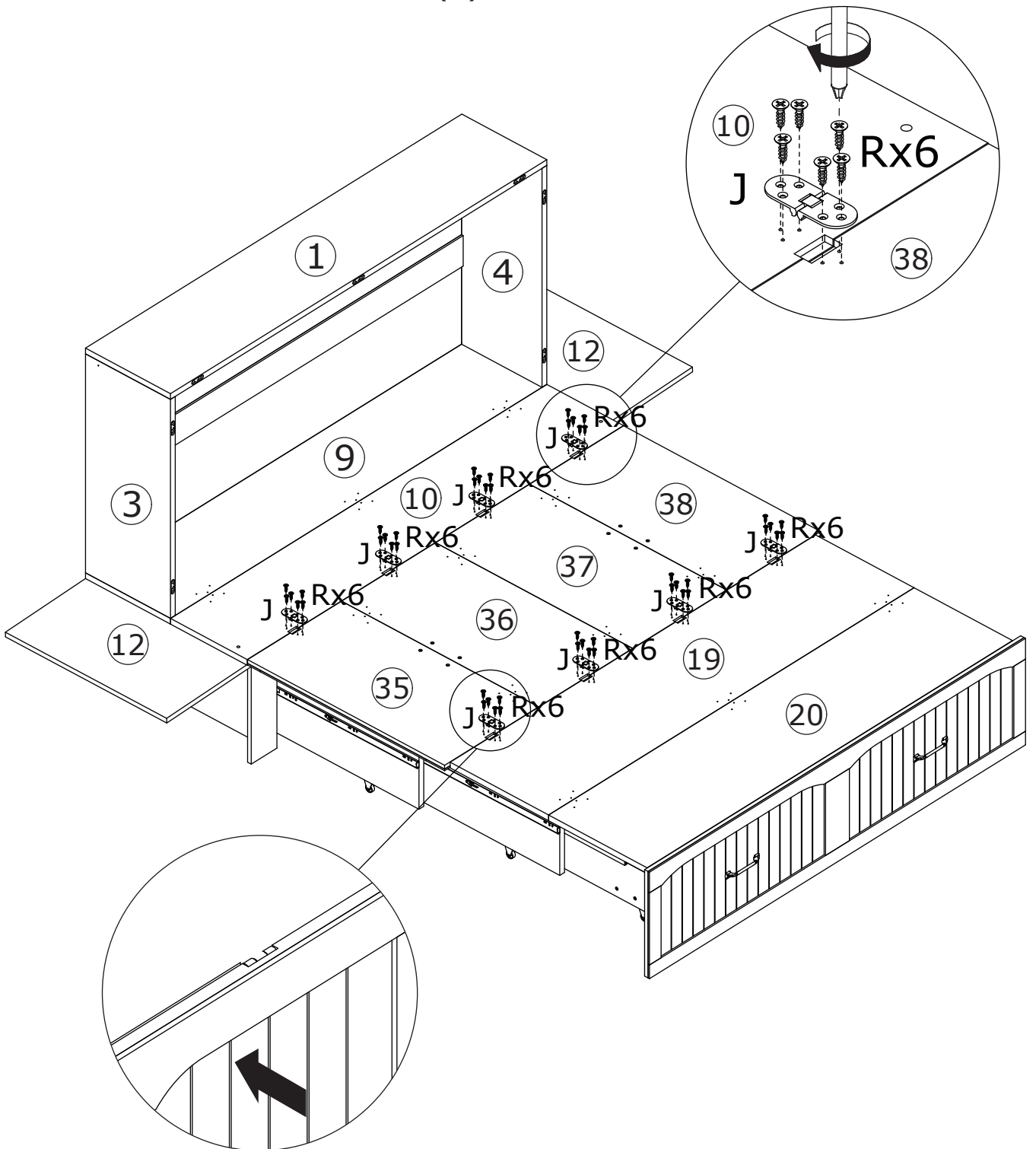
R x 48



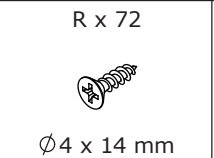
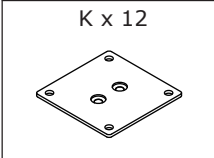
Ø4 x 14 mm



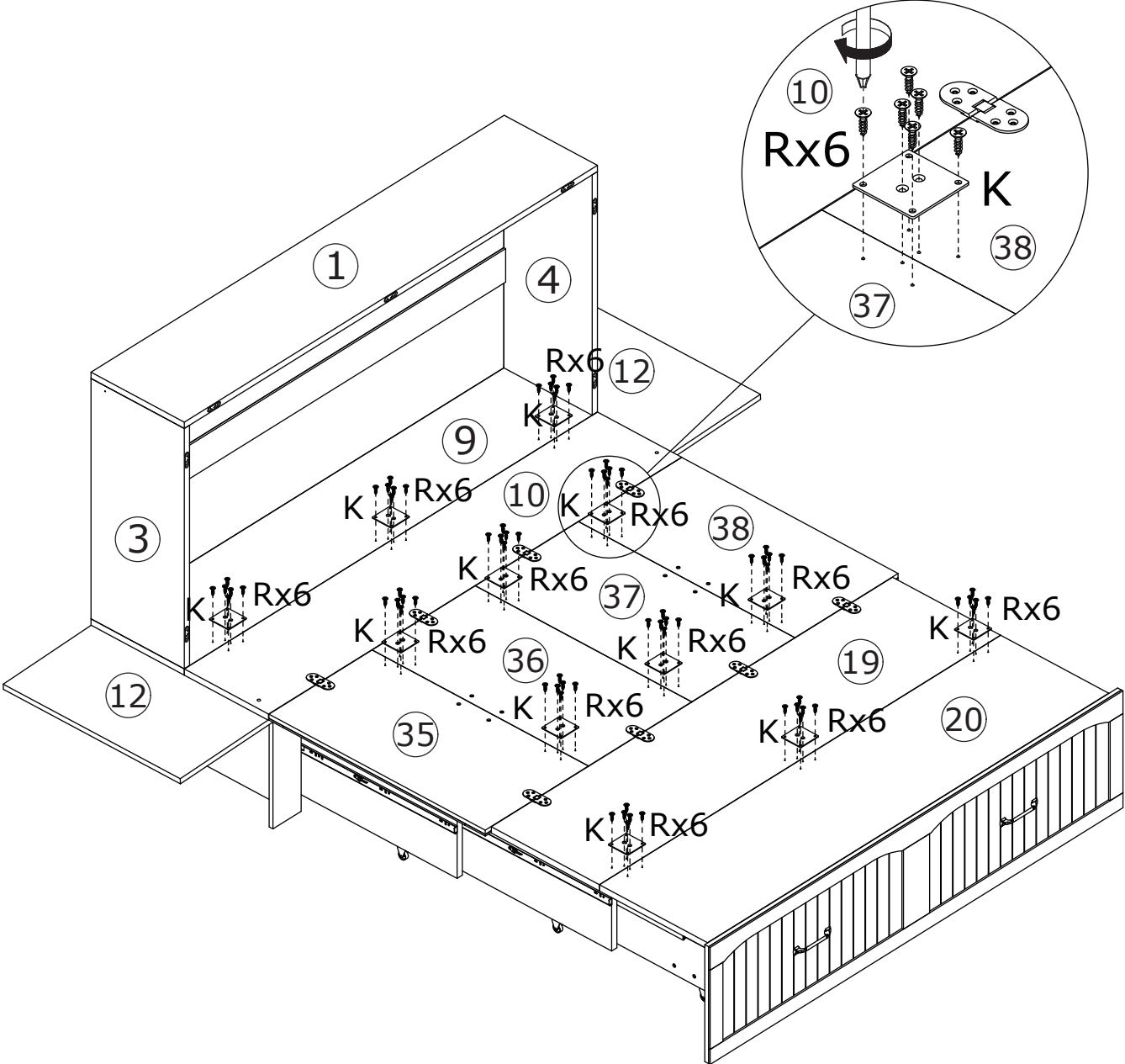
Fix part(J) to plate 10, 35, 36, 37, 38 and 19 with screw(R) as shown.



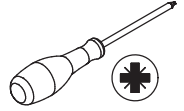
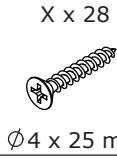
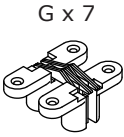
41



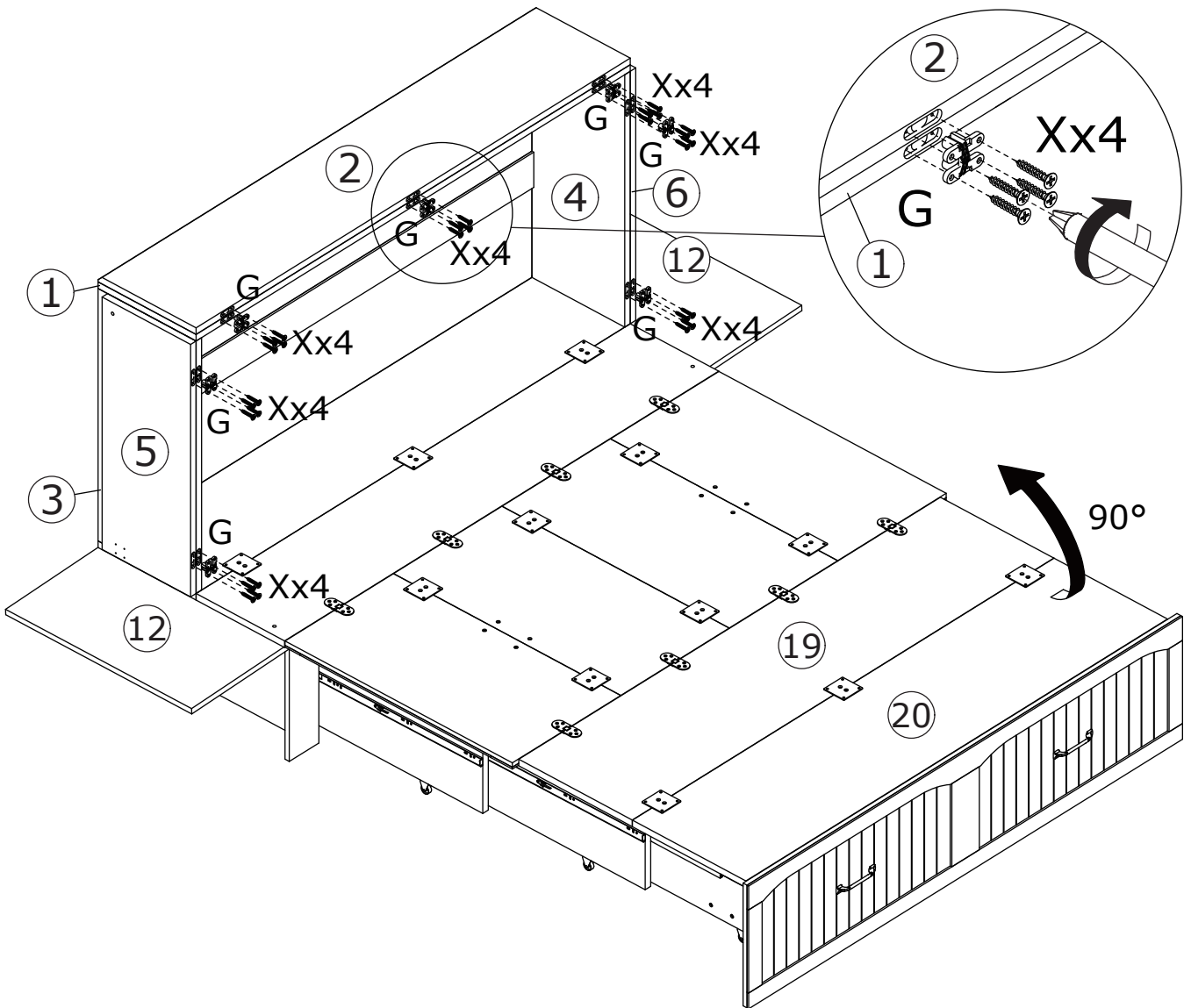
Fix part(K) to plate 9, 10, 35, 36, 37, 38, 19 and 20 with screw(R) as shown.



42

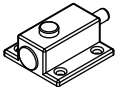


Fix part(G) to plate 1, 2, 3, 4, 5 and 6 with screw(X) as shown.



43

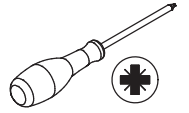
W x 4



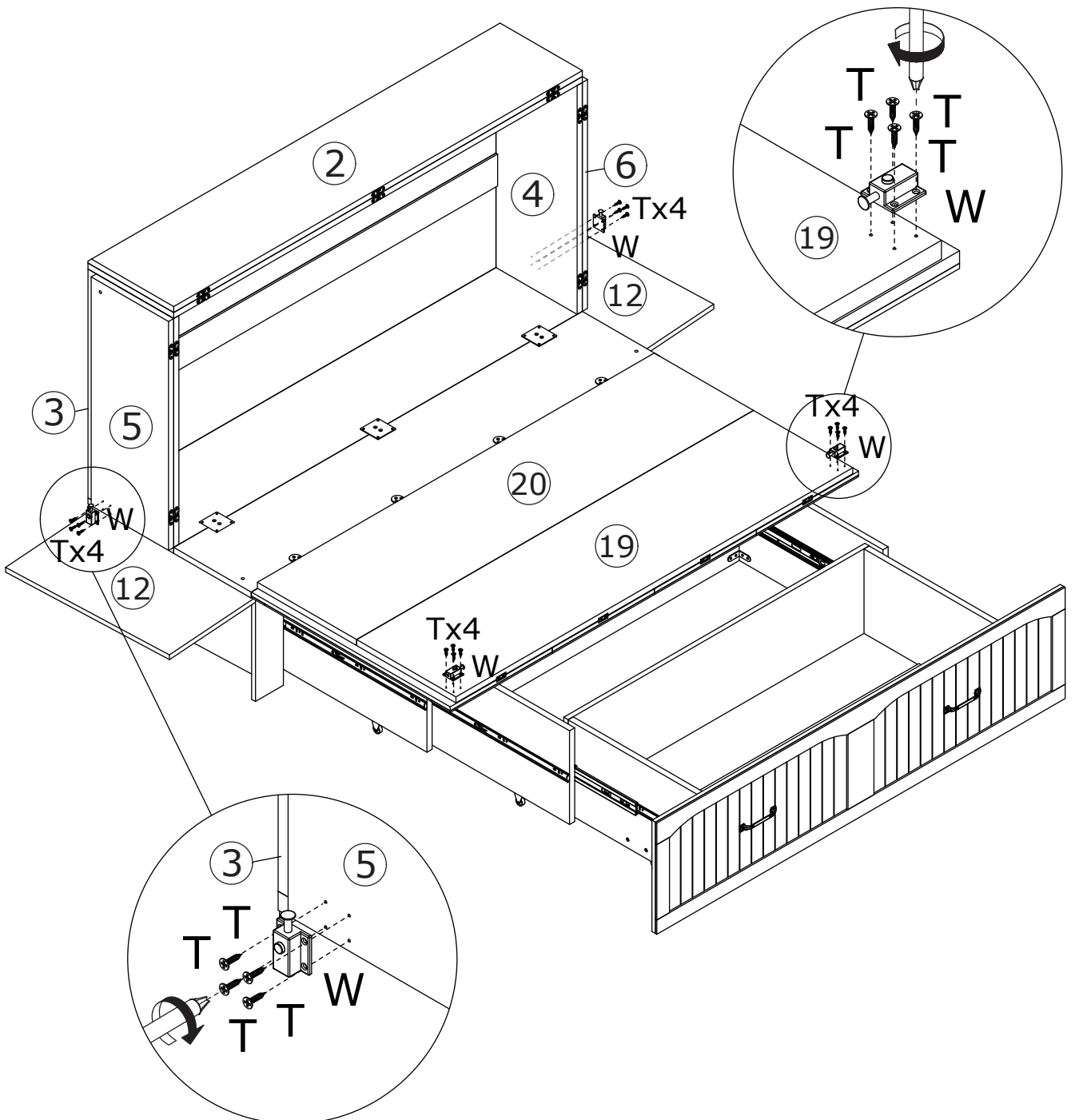
T x 16



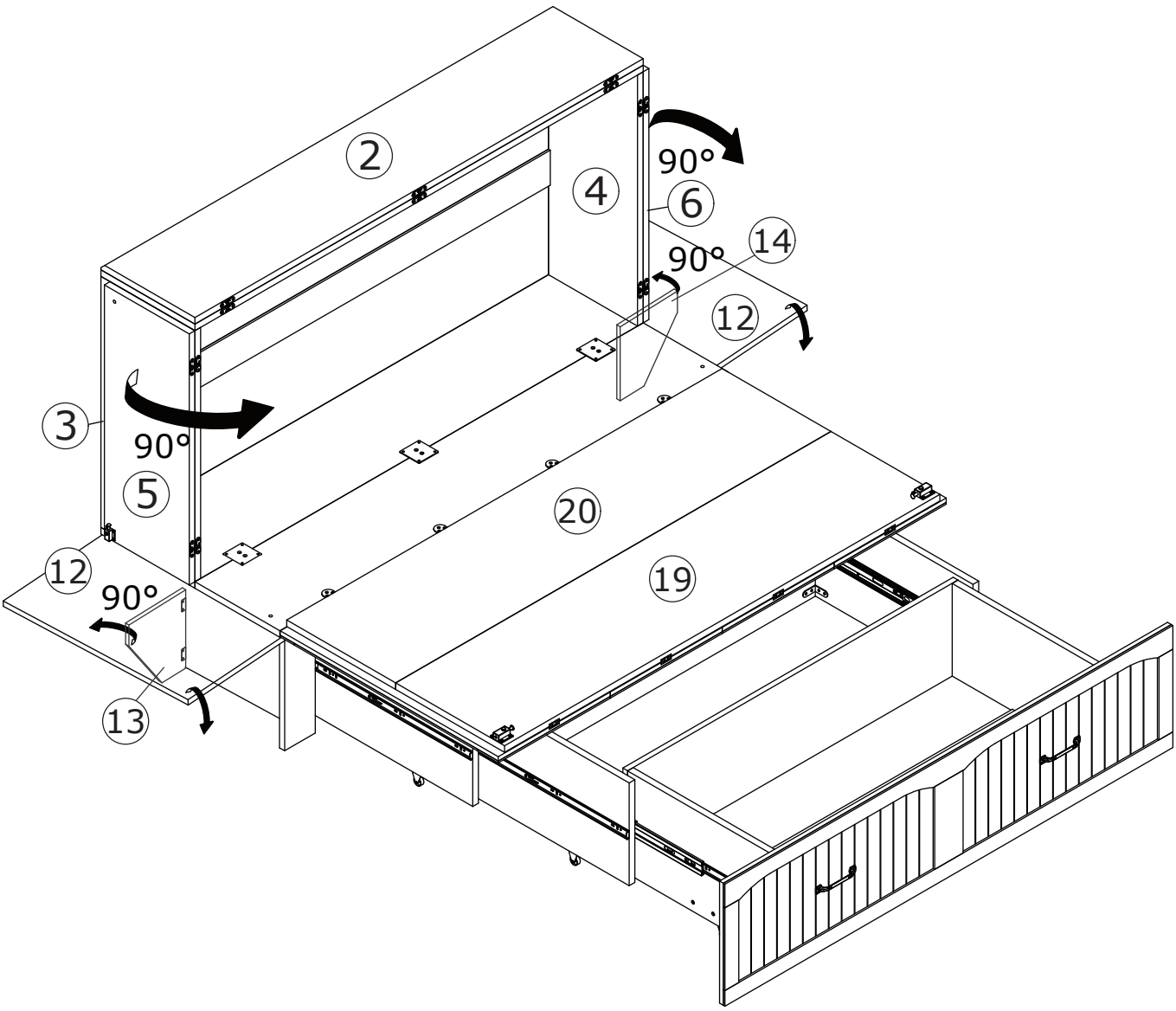
Ø3 x 14 mm



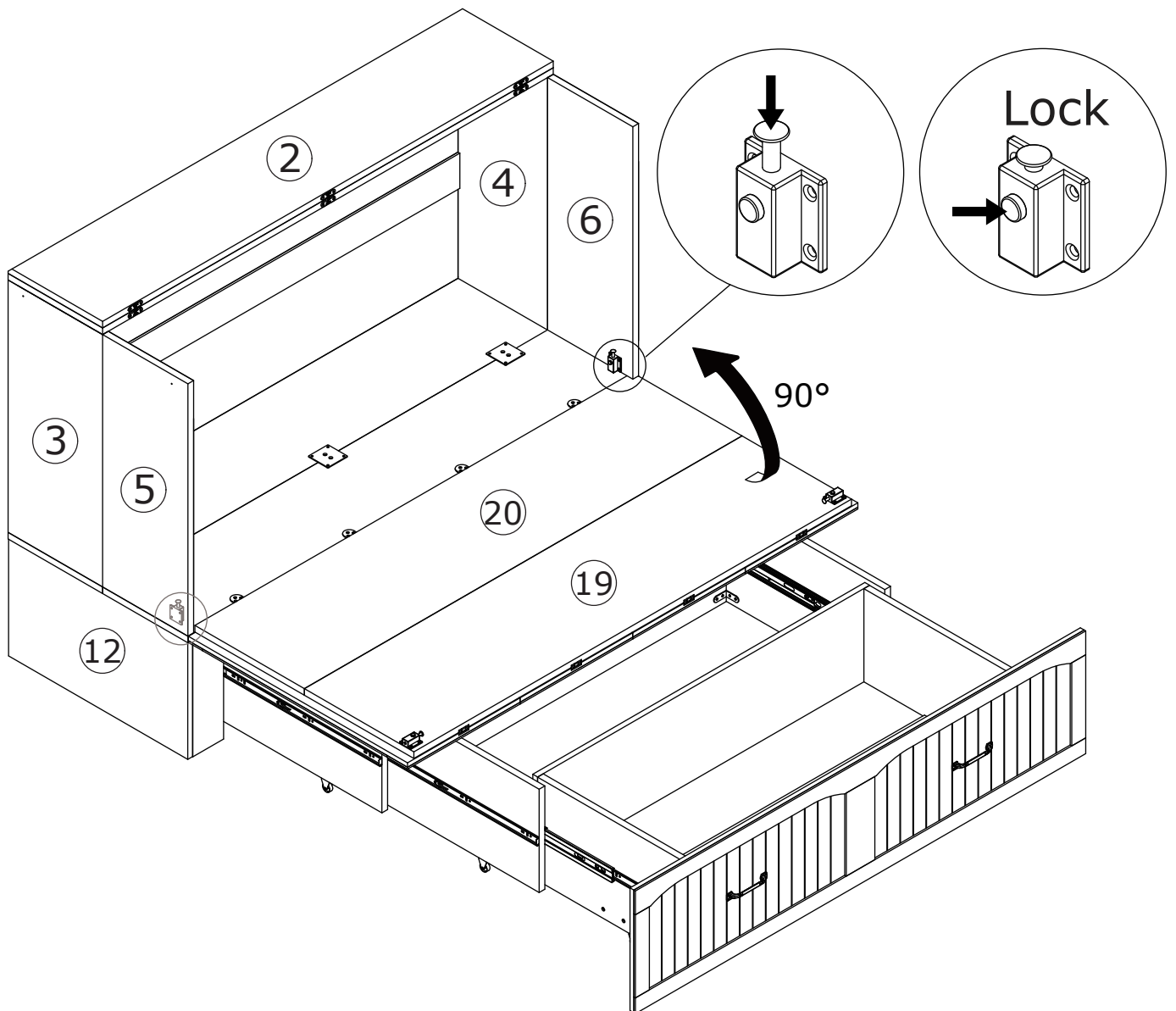
Fix part(W) to plate 5, 6 and 19 with screw(T) as shown.

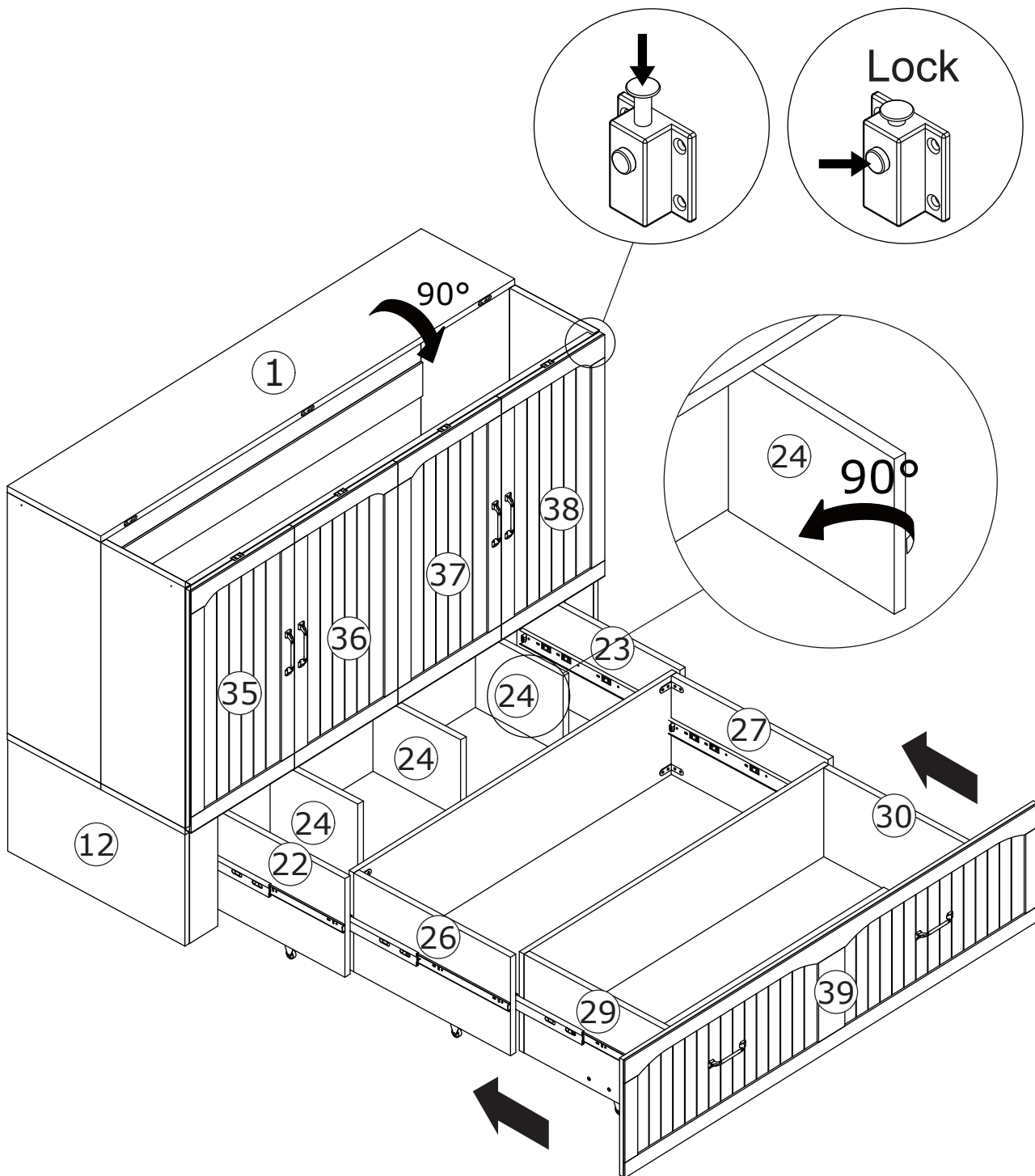


44

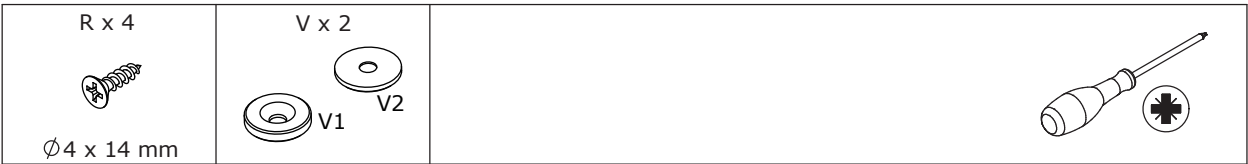


45

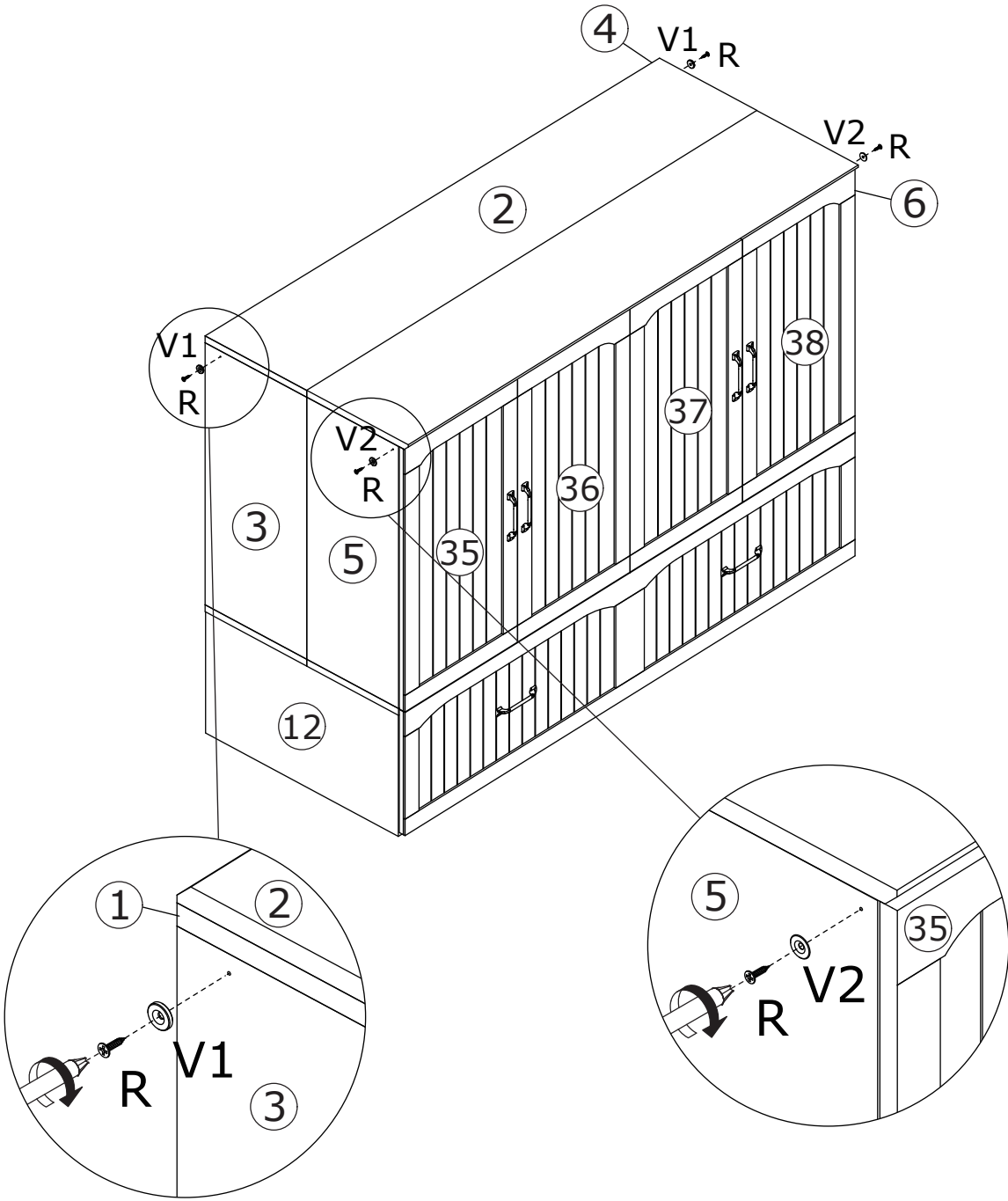


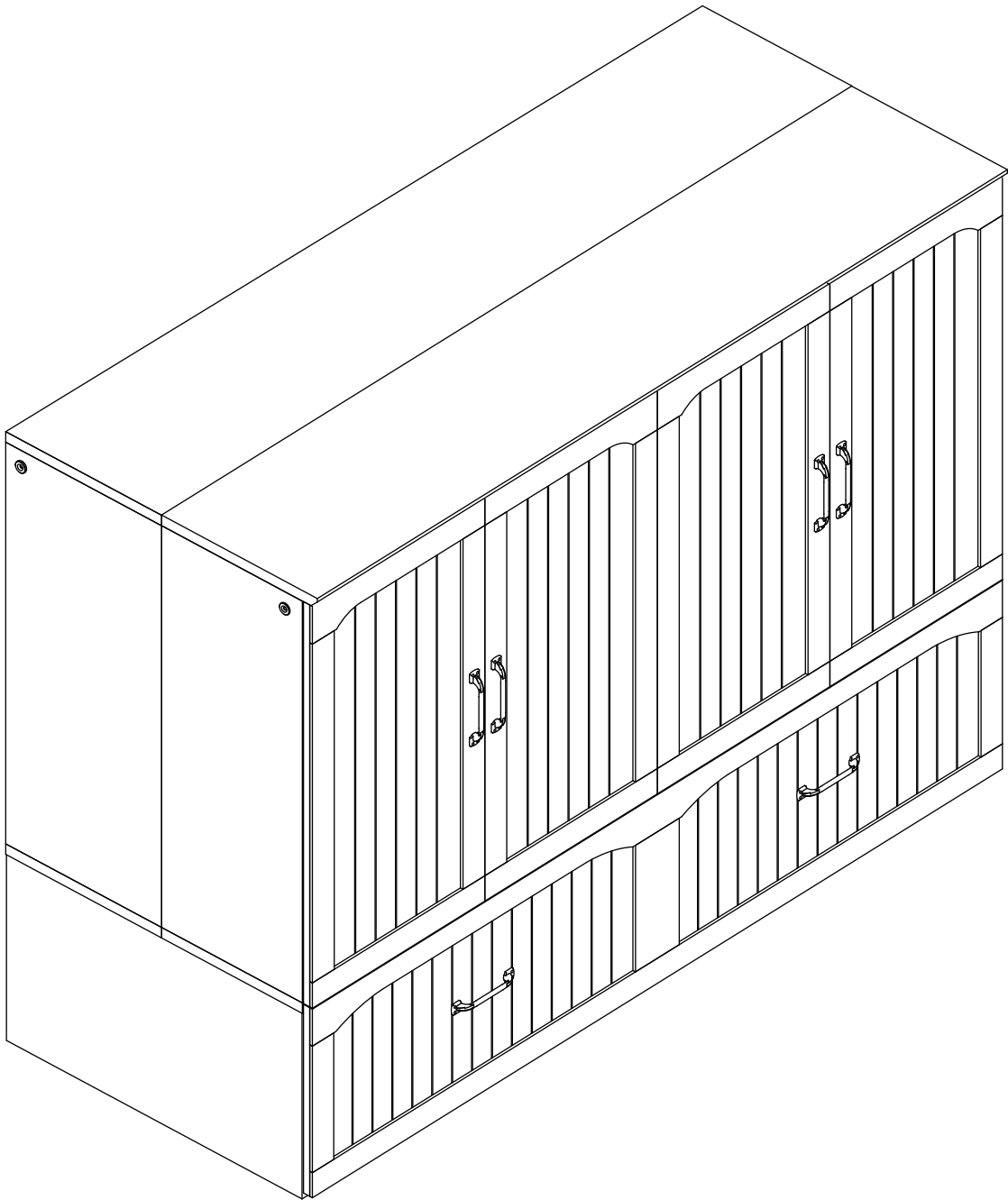


47



Fix washer(V-1&V-2) to plate 3, 4 and 5, 6 with screw(R) as shown.





# WARRANTY

## WARRANTY CLAIMS

- There is a 30-day warranty for broken furniture or any other problems that do not work properly. The warranty will start from the date of purchase which must be verified by proof of purchase.
- Before making a claim, we may be able to answer your query, simply call us. Please leave your purchase order number, along with some details of the problem, if you want a replacement part. We will arrange within 48 hours. If there is out of stock, we will reply with a shipping date.
- The product must be used in accordance with the instructions provided. For health reasons.
- For other reasons, if the furniture needs to be returned, it must be cleaned and dried and operated within 30 days of receipt.

## Type of Warranty Claim

- Failure to follow the furniture instructions will invalidate the warranty. Attention please.
- Does not include damage during installation, but includes damage during transportation.

## Scope of responsibility

- Shall not bear any responsibility for misuse or user damage and / or loss of parts during the installation of furniture.
- After using, the damage and scratches of the furniture are not covered by the warranty.

## The Warranty Relates to All Bought in The Us and Covers The Following Areas

- Sheet parts: 1 month from the date of purchase.
- Electrical parts: 1 month from the date of purchase.

# RETURNS

## CHANGED YOUR MIND AND NEED TO RETURN YOU ITEM?

### PLEASE FOLLOW THE BELOW INSTRUCTIONS:

- If you have purchased and have simply changed your mind, follow the retailer's instructions for returns.

### DEFECTIVE ITEMS

- If your item is defective in any way, i.e. it doesn't work but you can't identify why, in the first instance, please call us.

### DAMAGED ITEMS

- If you receive an order with obvious shipping damage from the retailer, then we suggest the delivery is refused. If the delivery has been accepted and then shipping damage is found, please follow the specific instructions advised by the retailer.  
In all circumstances please save all packaging material and paperwork for the order. Please be aware that if you dispose of packaging material or attempt to return the merchandise without contacting the fulfiller, you jeopardise your chances of making a claim, and you may not receive a credit for the return.

### AFTER-SALES CONTACT



adelahu@fufugaga.com



208-820-0068