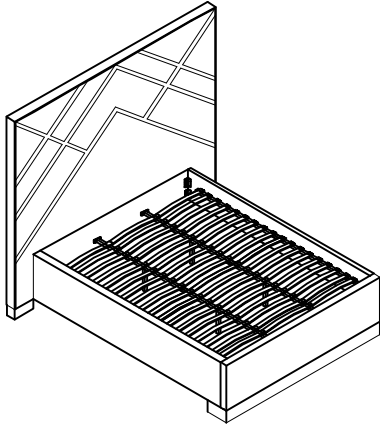


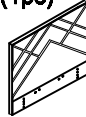
# ASSEMBLY INSTRUCTIONS

## BED - KING

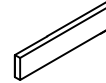


### + Parts Included

① Head Board  
(1pc)



② Foot Board  
(1pc)



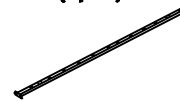
③ Side Rails  
(2pcs)



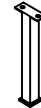
④ Double Plastic  
cap (30pcs)



⑤ Center Support  
Bar (2pcs)



⑥ Support  
Legs (4pcs)



⑦ Slats  
(45pcs)



⑧ Single Plastic  
cap (30pcs)

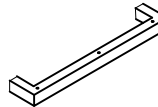


⑨ Head board  
Legs (2pcs)



\*Slats come packed  
in the bottom of  
headboard carton.

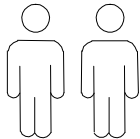
⑩ Foot board  
Legs (1pc)



+ Do Not Use  
Power Tools



+ Suggested  
Adults



### NOTE:

- 1 Read instructions cover to cover.
- 2 Save all packaging until assembly is completed.

### 1 IMPORTANT SAFETY INFORMATION

Do not assemble the product if any of the following parts arrived damaged:

- Part #③ -Side Rails
- Part #⑤ -Center Support Bar
- Part #⑥ -Support Legs
- Part #⑦ -Slats

### 2 IMPORTANT ASSEMBLY INFORMATION

Assembly Step ③ Ensure the side rail bracket is fully hooked onto bolt A loosely threaded with both washers on the OUTSIDE of the bracket first, then proceed to fully tightening all 4 corners.

Assembly Step ④ When installing slats, ensure that the curve is facing upwards. (→) (↘)

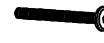
\*Slats come packed in the bottom of headboard carton.

### + Hardware Included

A Bolt M8\*40mm  
(32pcs)



B Bolt M8\*120mm  
(7pcs)



C Spring Washer  
(16pcs)



E Flat Washer  
φ20 (39pcs)



F M8 Allen Key  
(1pc)



I Nut M8\*13mm  
(8pcs)

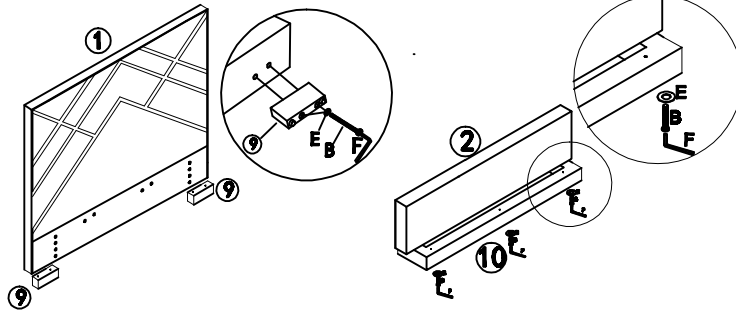


J Spanner  
(1pc)

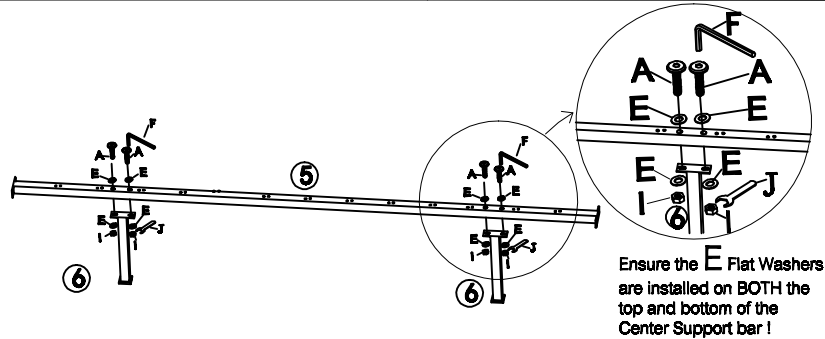


# ASSEMBLY INSTRUCTIONS BED - KING

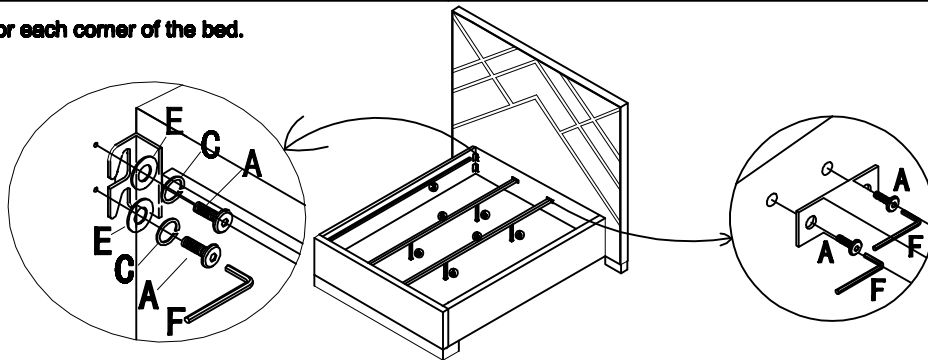
①



②



③ Repeat this step for each corner of the bed.



④ When installing slats, ensure that the curve is facing upwards. (↖) (↘)

