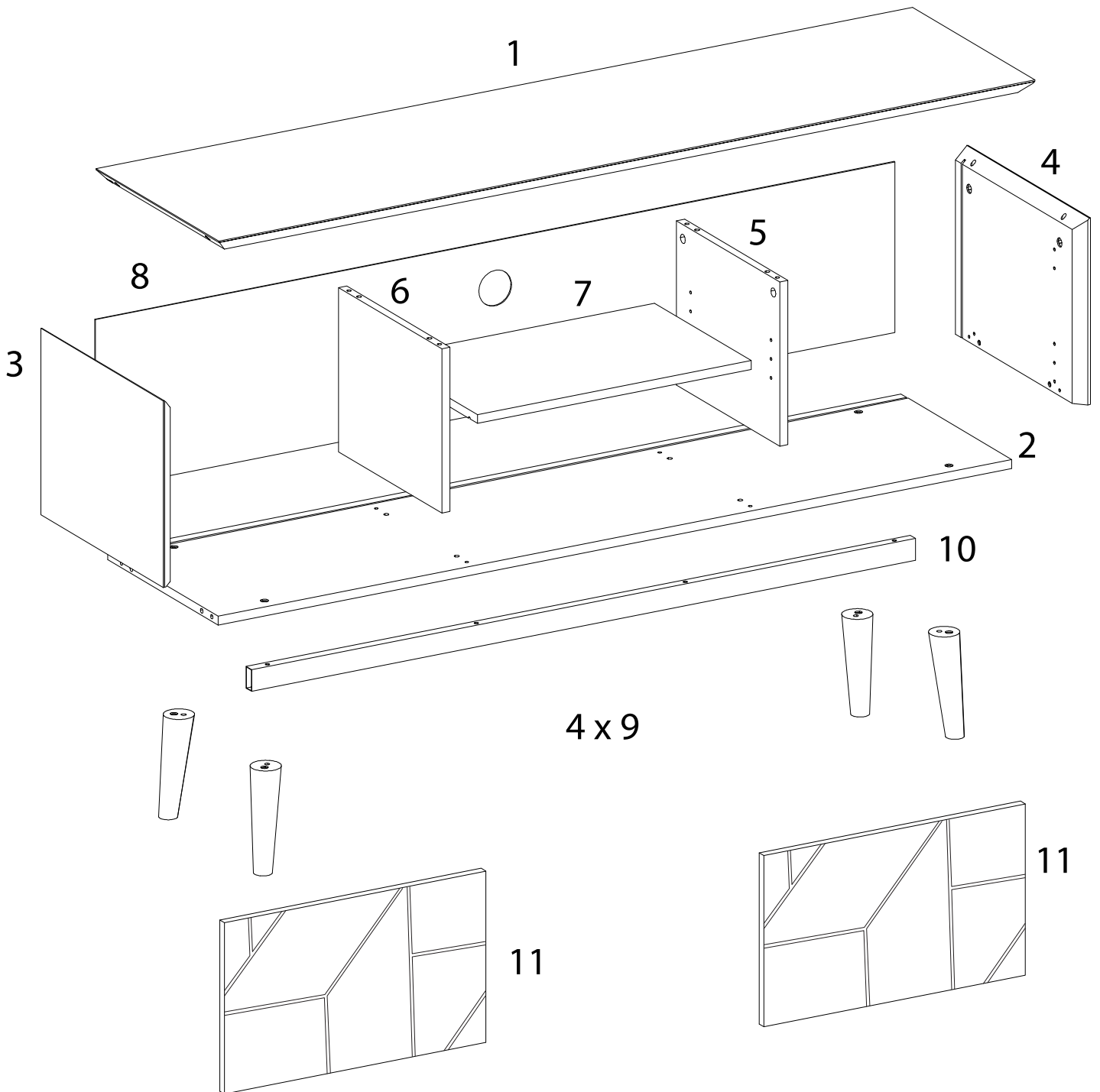
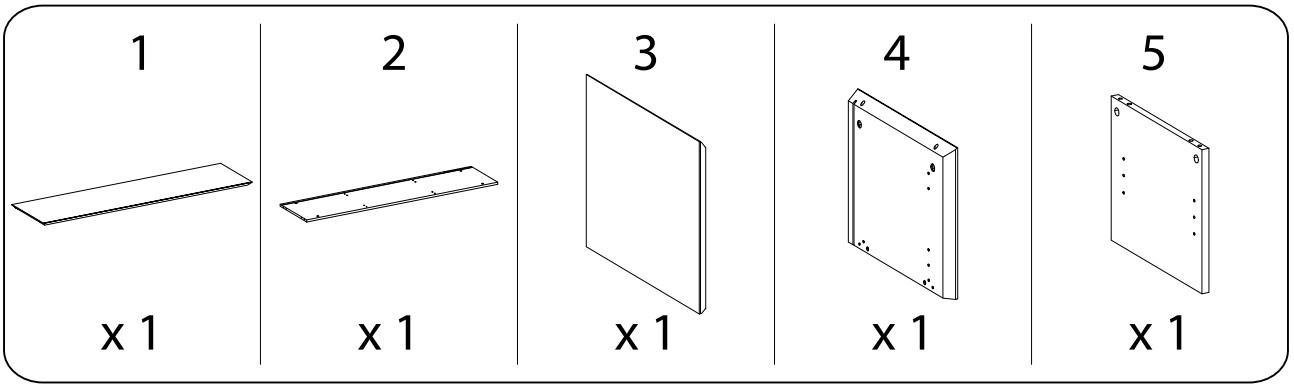
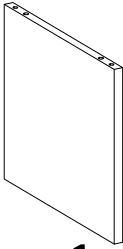
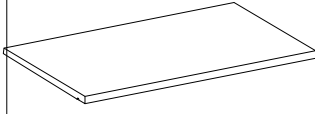
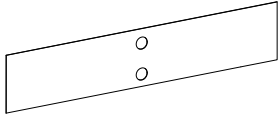


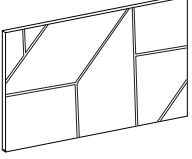
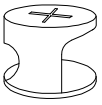



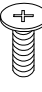
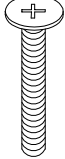
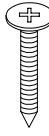
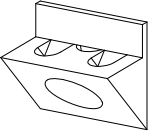
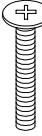
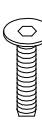
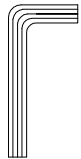
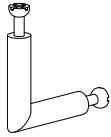
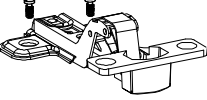
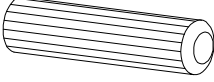
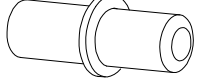


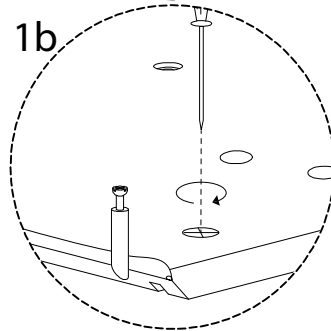
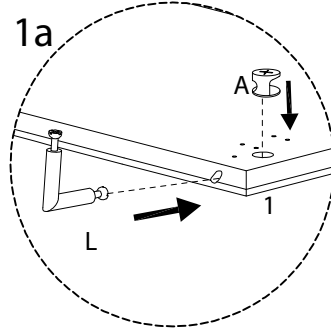
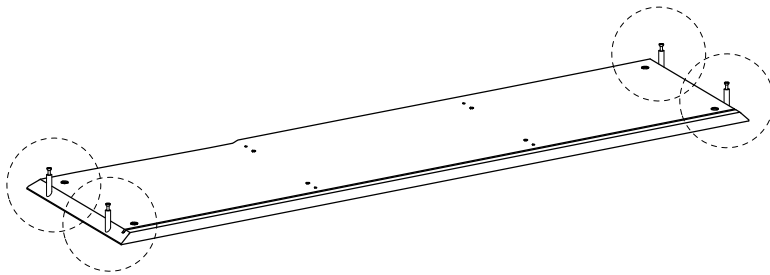
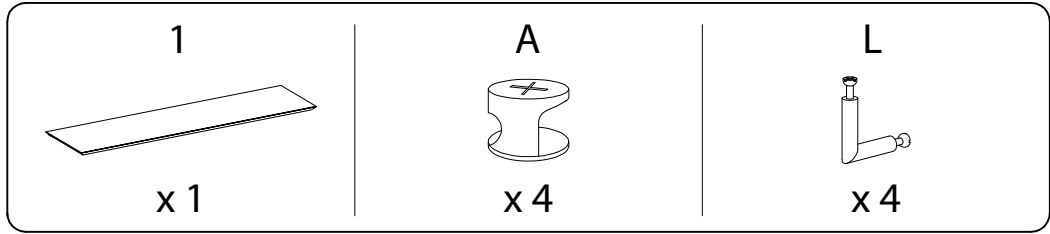
Assembly instructions for step 1/14:

- Tools:** A circular icon contains a screwdriver and an Allen key. A power drill is shown with a diagonal line through it, indicating it should not be used.
- Warning:** A triangle with an exclamation mark.
- Time:** A clock icon with the text "50'" below it, indicating an estimated assembly time of 50 minutes.
- Personnel:** A stick figure icon with the number "1" below it, indicating that one person is required for assembly.
- Diagram:** A circular icon shows a rectangular block being placed on a textured surface. A second diagram shows the block being secured with a screw from the bottom.
- Warning:** A triangle with an exclamation mark.

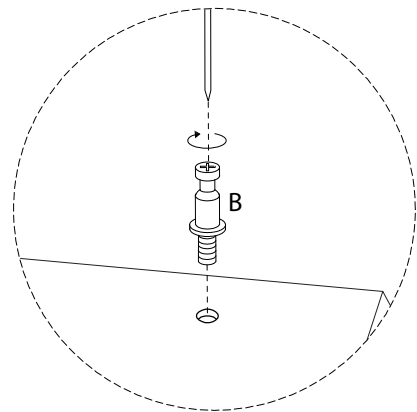
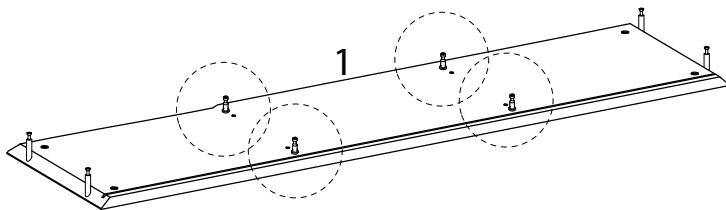
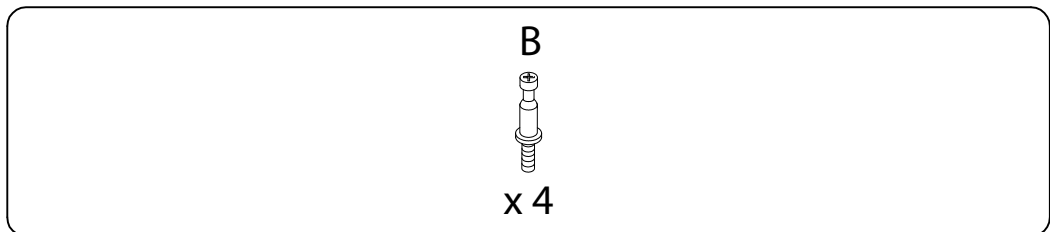


<p>6</p>  <p>x 1</p>	<p>7</p>  <p>x 1</p>	<p>8</p>  <p>x 1</p>	<p>9</p>  <p>x 4</p>	
<p>10</p>  <p>x 1</p>	<p>11</p>  <p>x 2</p>	<p>A</p>  <p>x 16</p>	<p>B</p>  <p>x 8</p>	
<p>C</p>  <p>x 12</p>	<p>D</p>  <p>x 16</p>	<p>E</p>  <p>M4 x 10</p> <p>x 8</p>	<p>F</p>  <p>M10 x 33,5</p> <p>x 4</p>	
<p>G</p>  <p>M4 x 19</p> <p>x 10</p>	<p>H</p>  <p>x 10</p>	<p>I</p>  <p>M6 x 50</p> <p>x 4</p>	<p>J</p>  <p>M6 x 30</p> <p>x 4</p>	
<p>K</p>  <p>x 1</p>	<p>L</p>  <p>x 4</p>	<p>M</p>  <p>x 4</p>	<p>N</p>  <p>x 4</p>	<p>O</p>  <p>x 4</p>

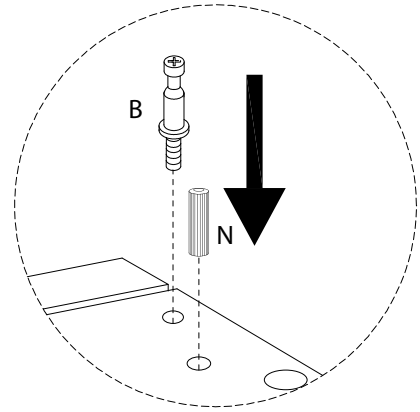
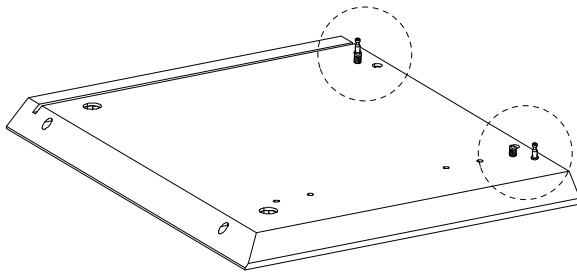
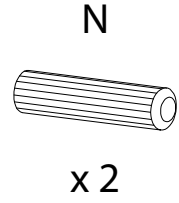
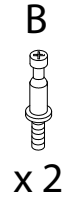
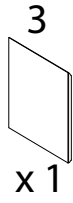
1



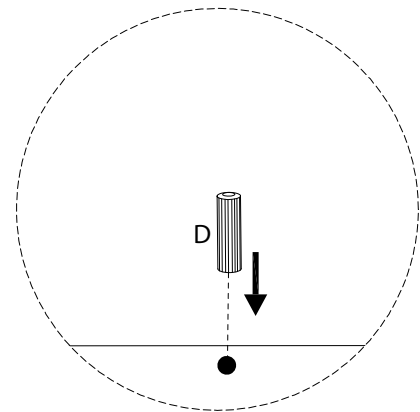
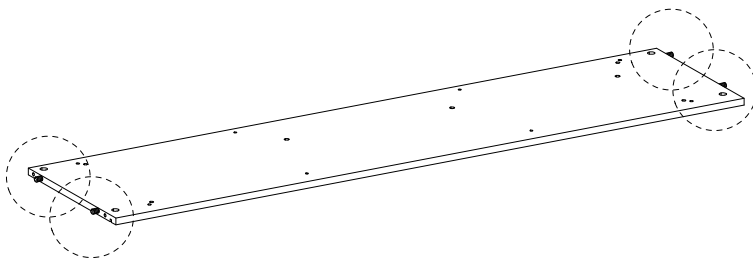
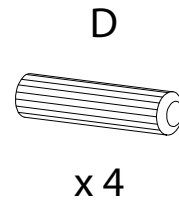
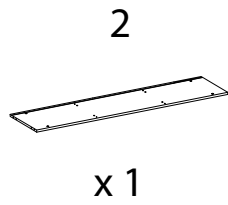
2



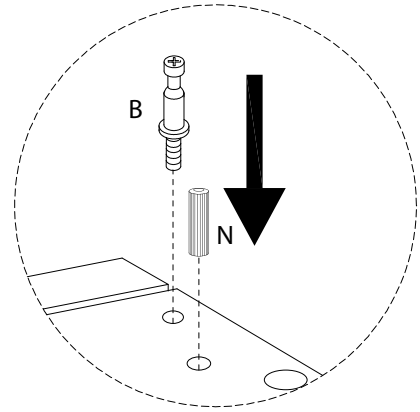
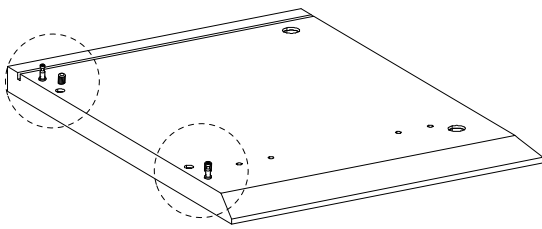
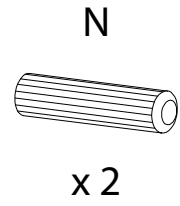
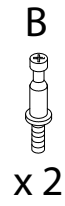
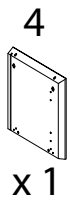
3



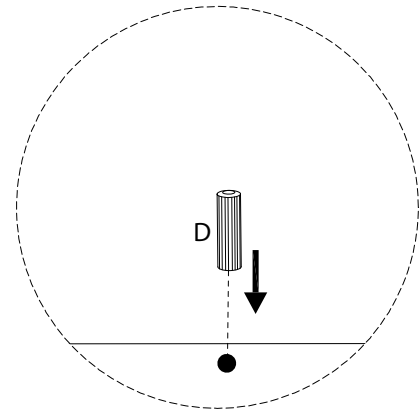
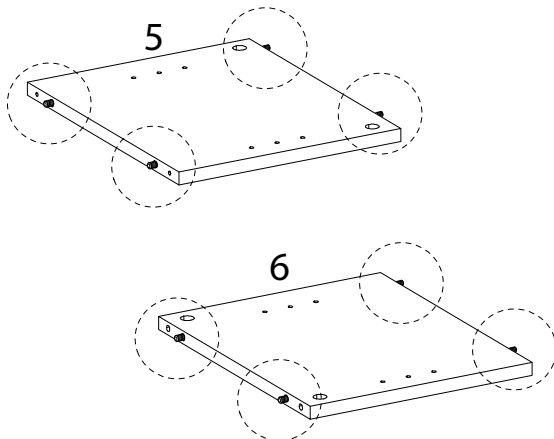
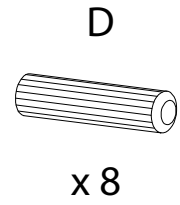
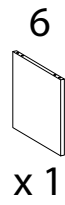
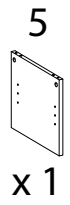
4



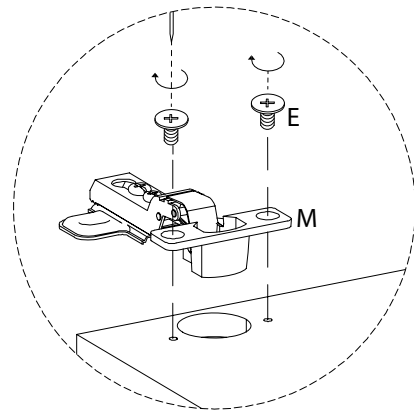
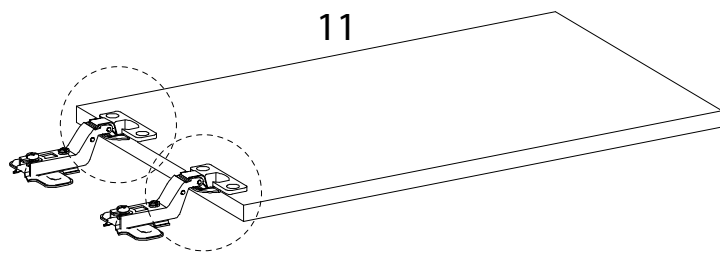
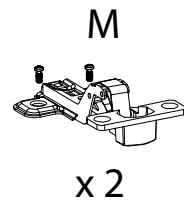
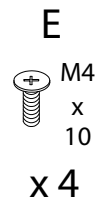
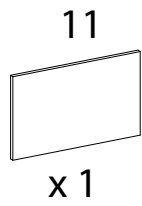
5



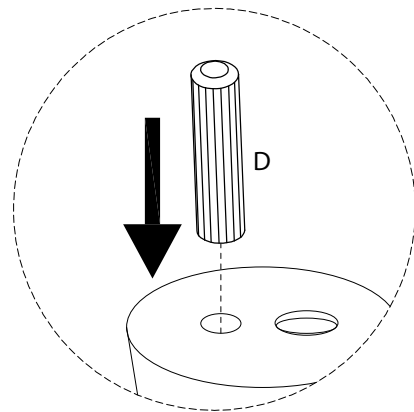
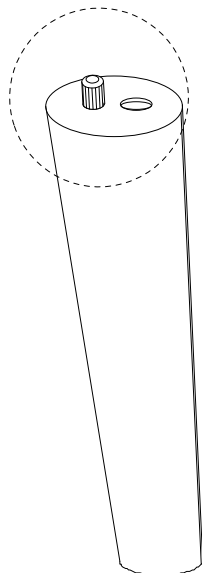
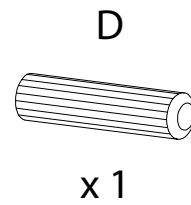
6



7 x 2

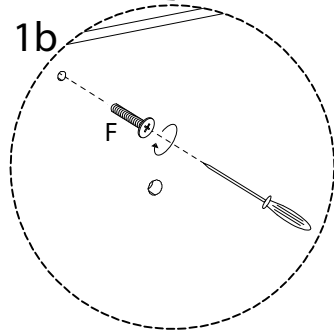
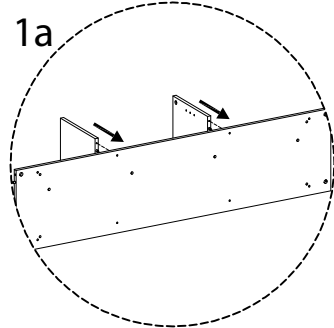
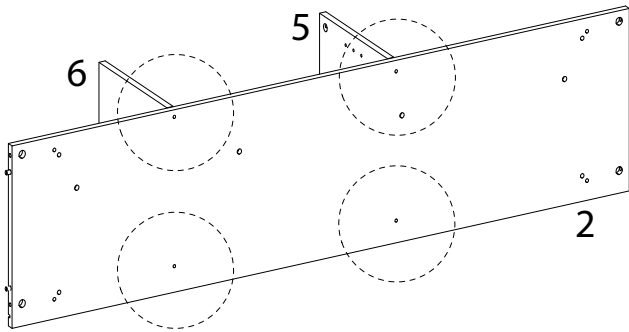


8 x 4

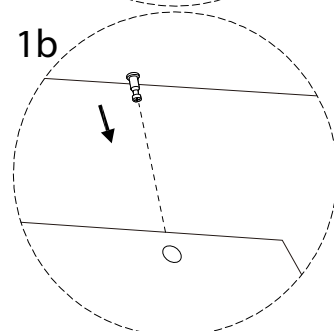
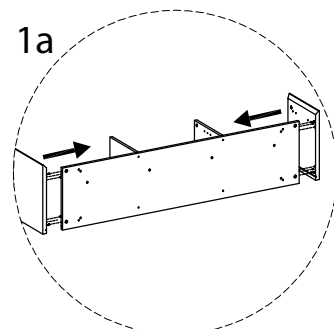
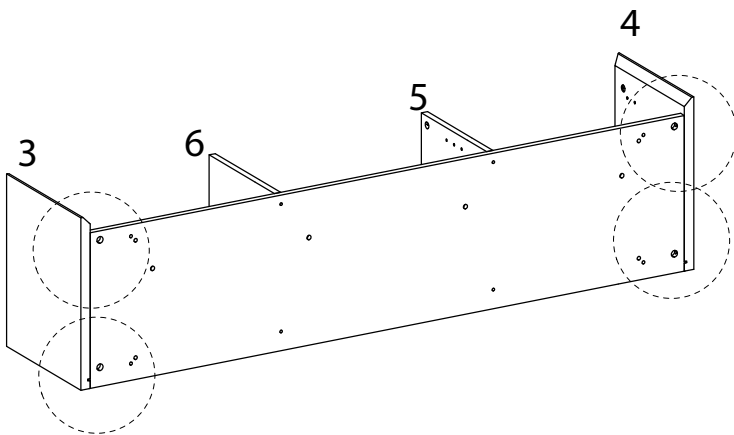


9

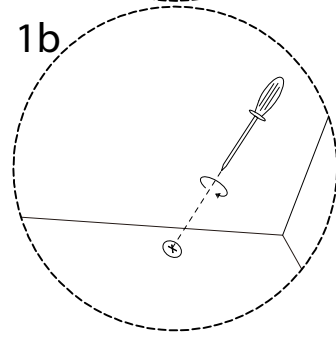
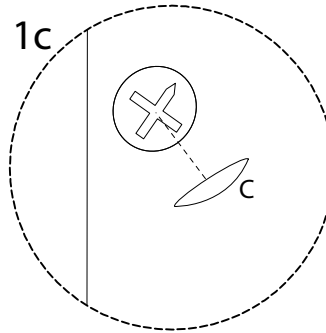
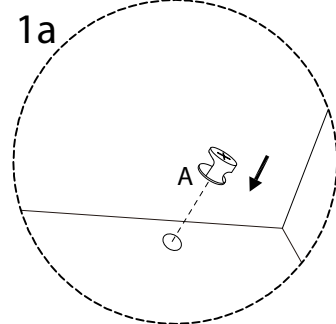
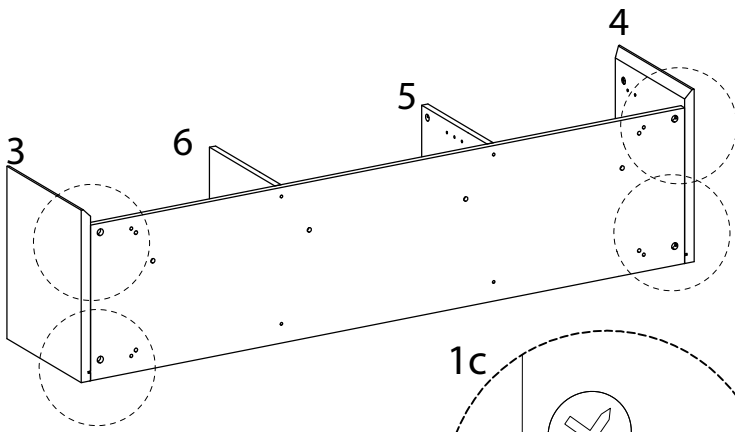
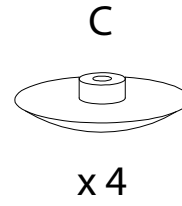
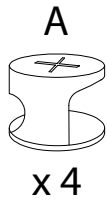
F
M10
x
33,5
x 4



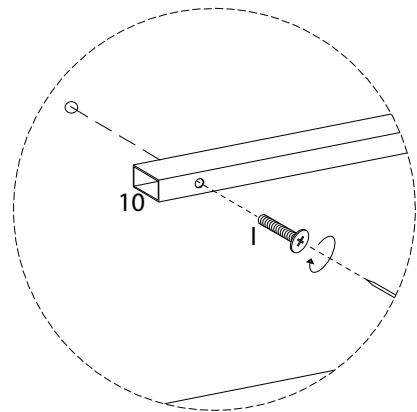
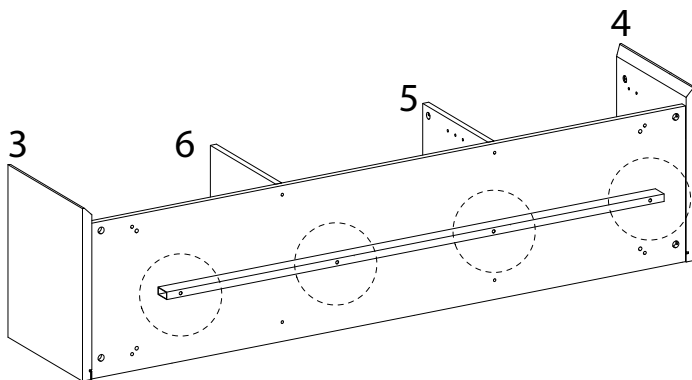
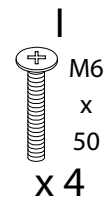
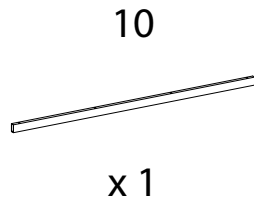
10



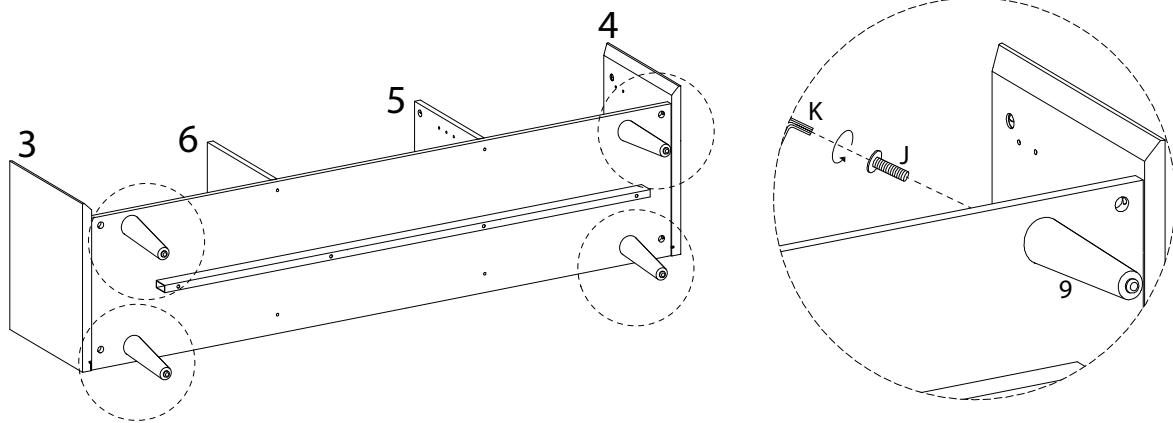
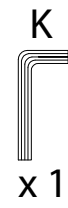
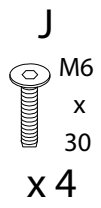
11



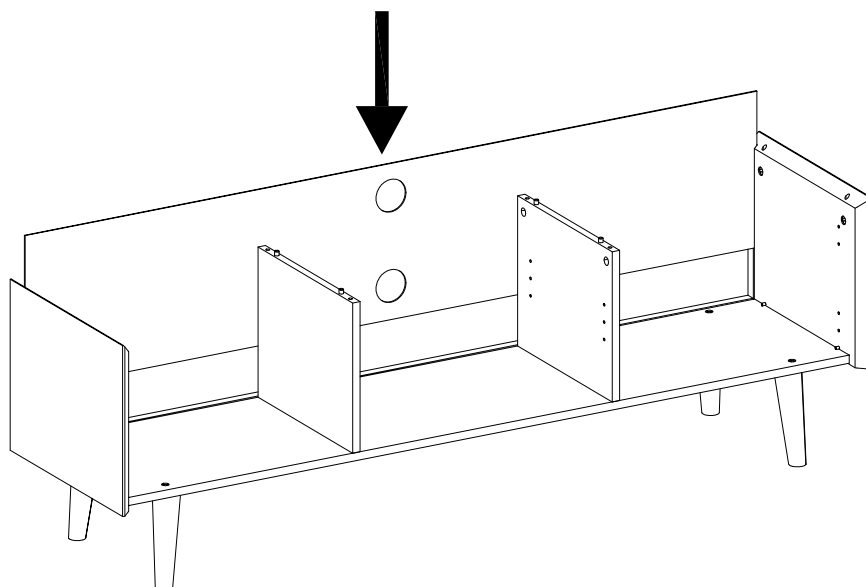
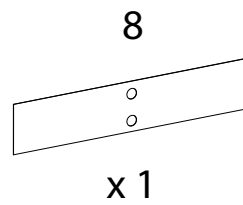
12



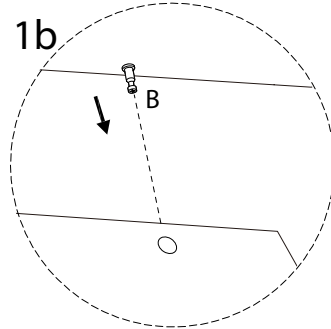
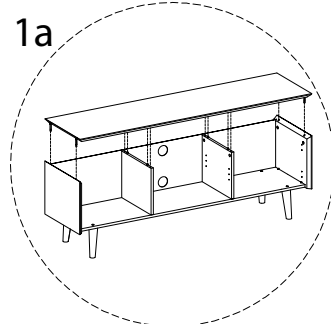
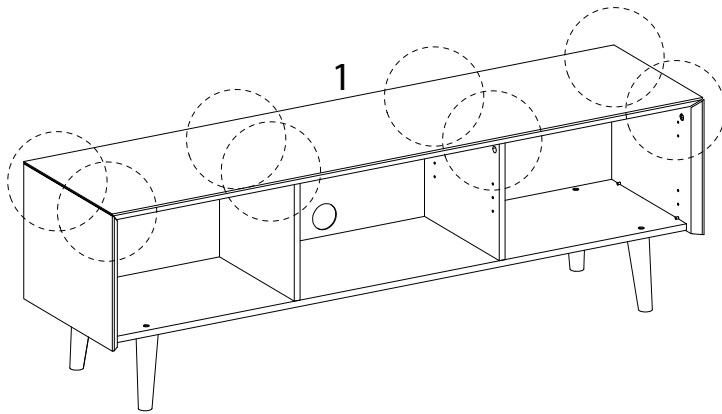
13



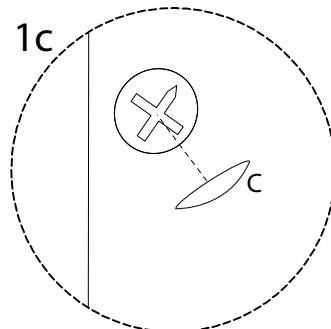
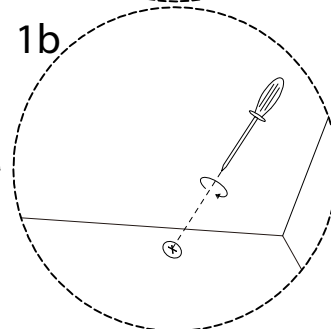
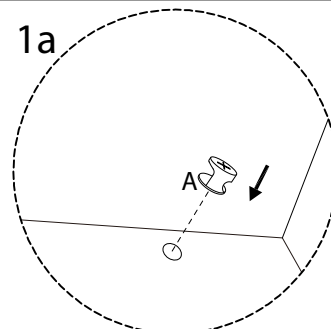
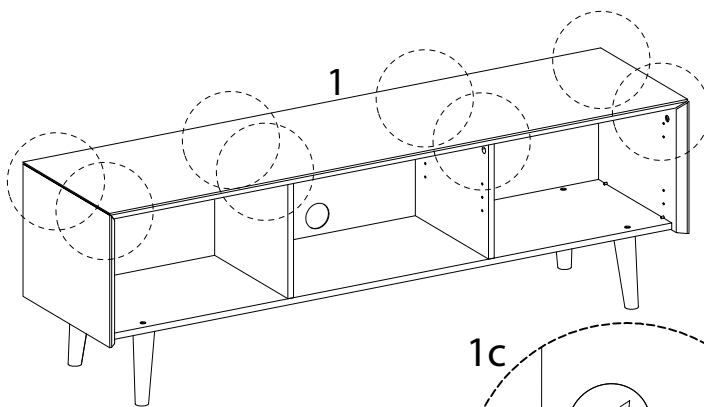
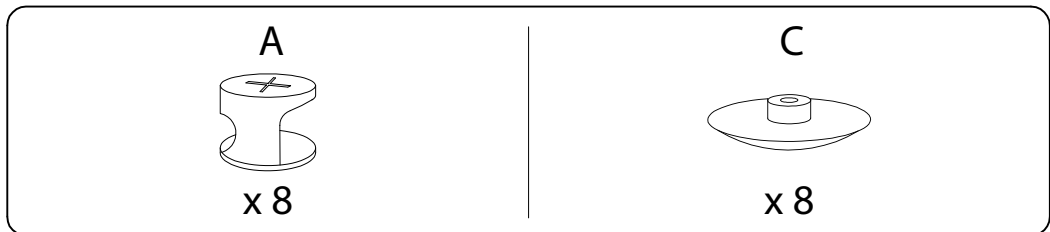
14



15

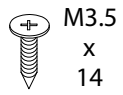


16



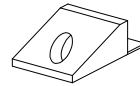
17

G

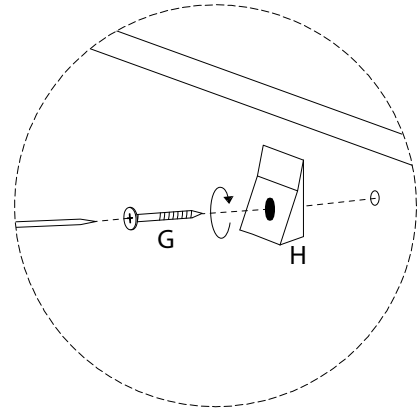
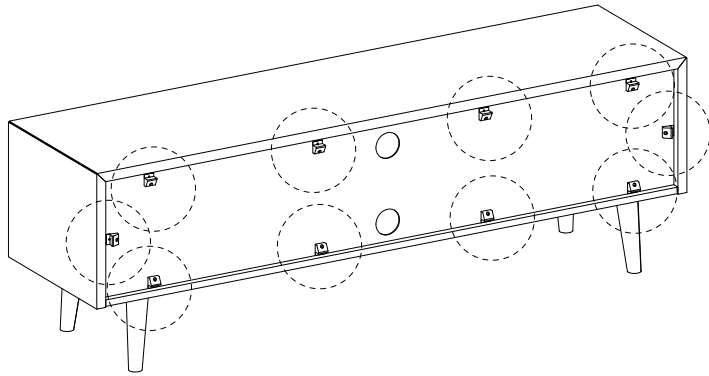


x 10

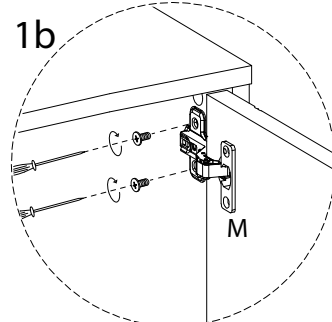
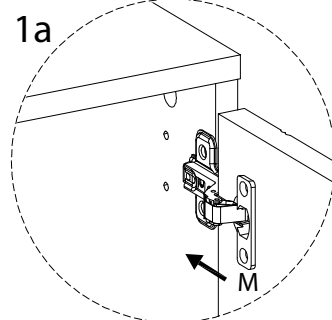
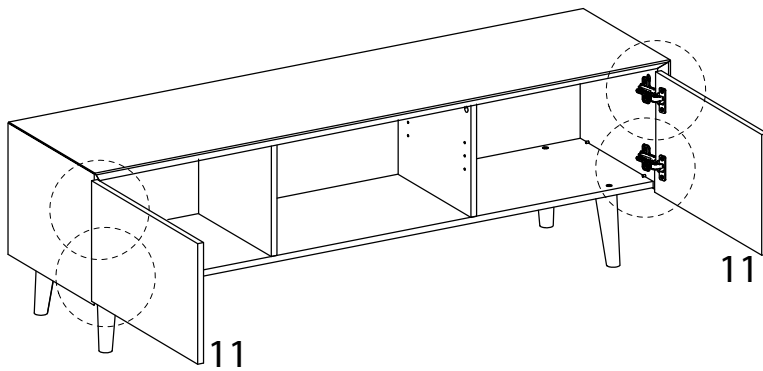
H



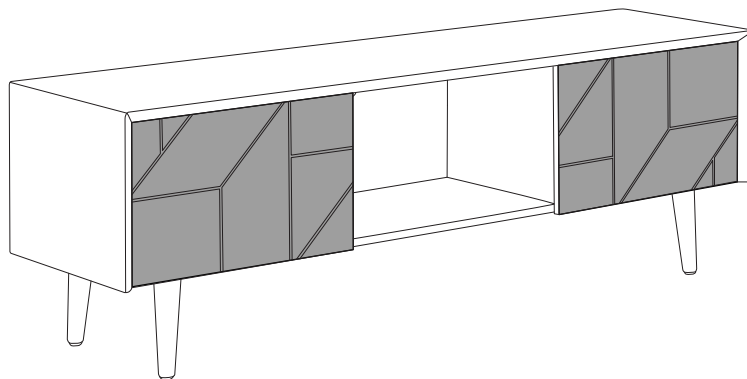
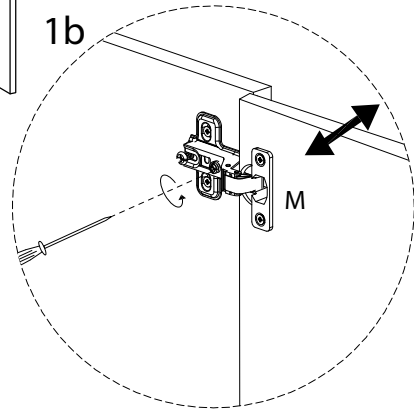
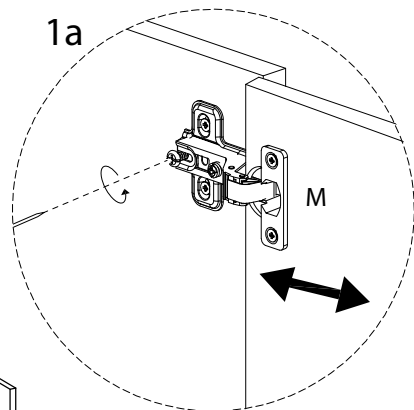
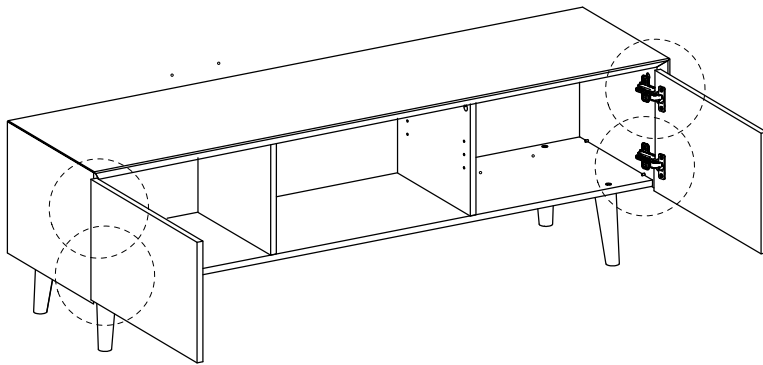
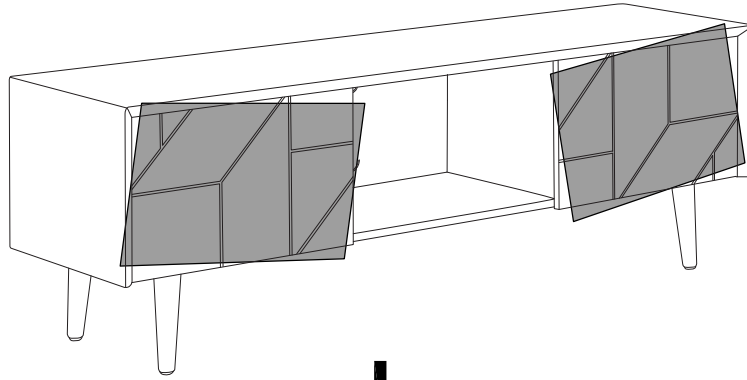
x 10



18



!



19

